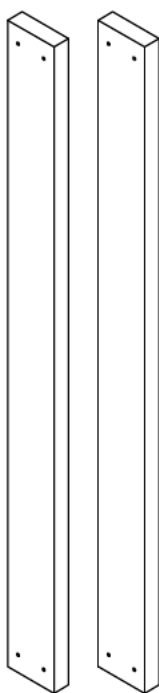




Ax2



Bx10



Cx2



Dx9



Ex2



Fx22



Gx22



Hx40



lx1

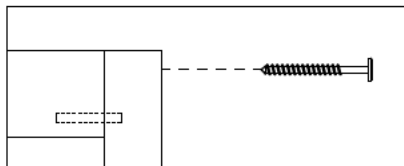
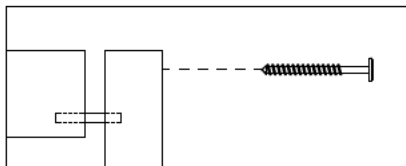
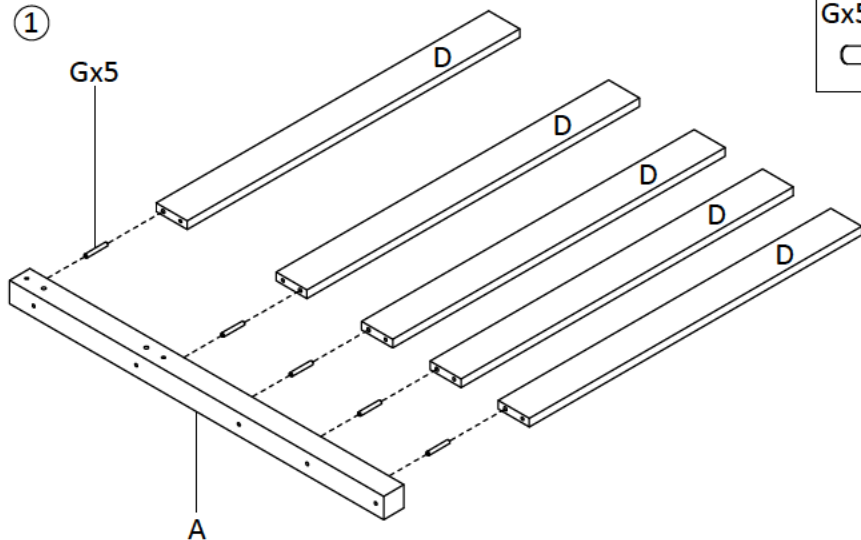


x3

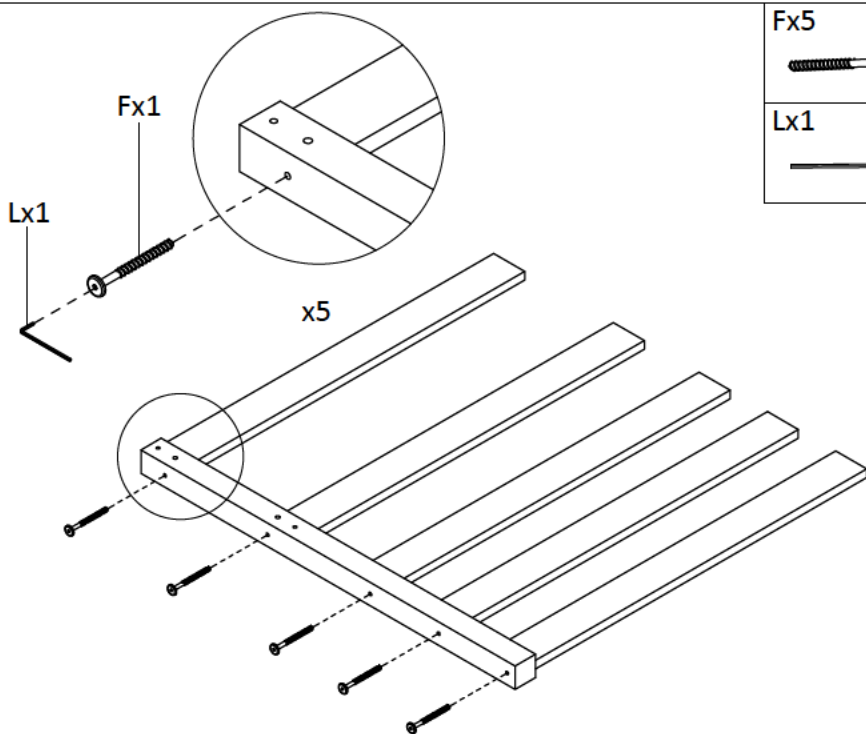
①

Gx5

Gx5



②



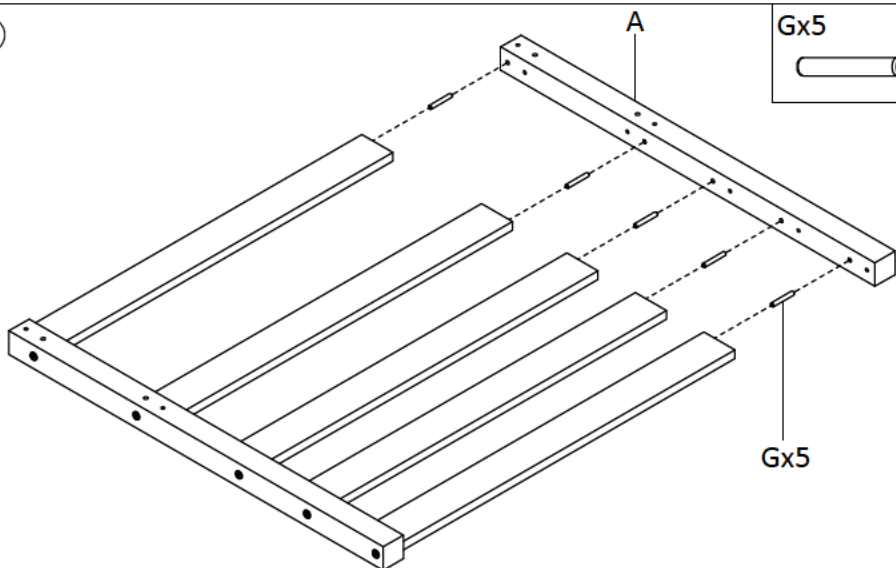
Fx5



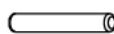
Lx1



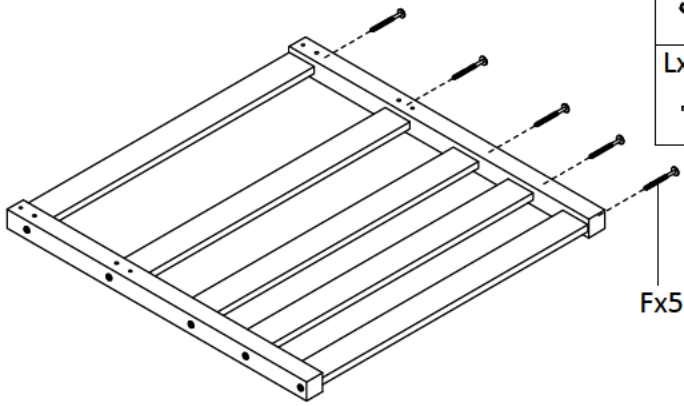
③





Gx5



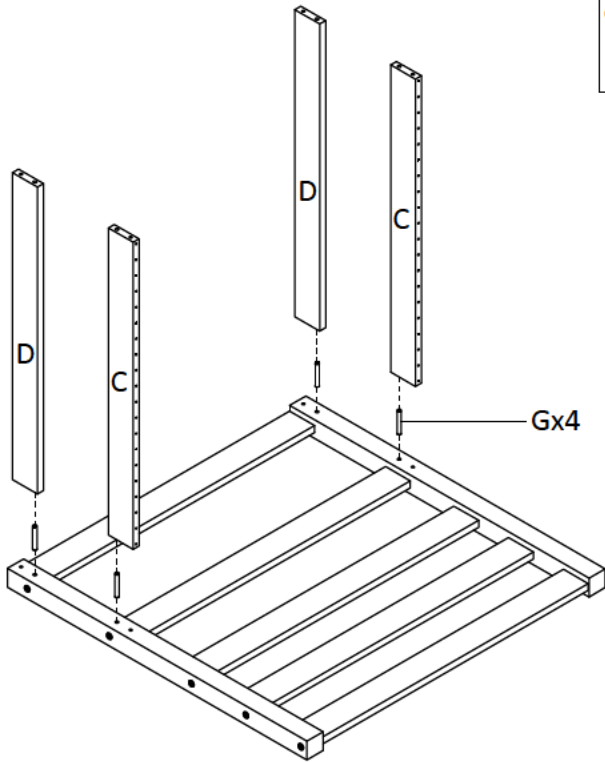
4




Fx5

Lx1


Fx5

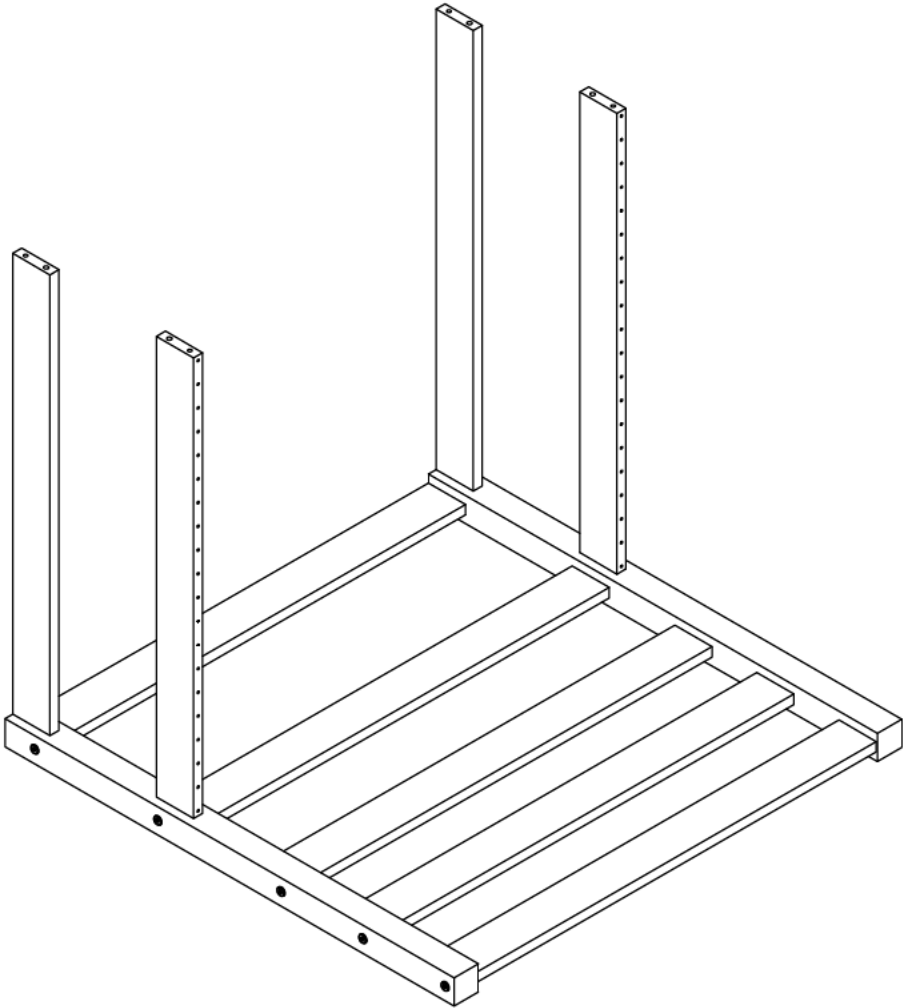
5



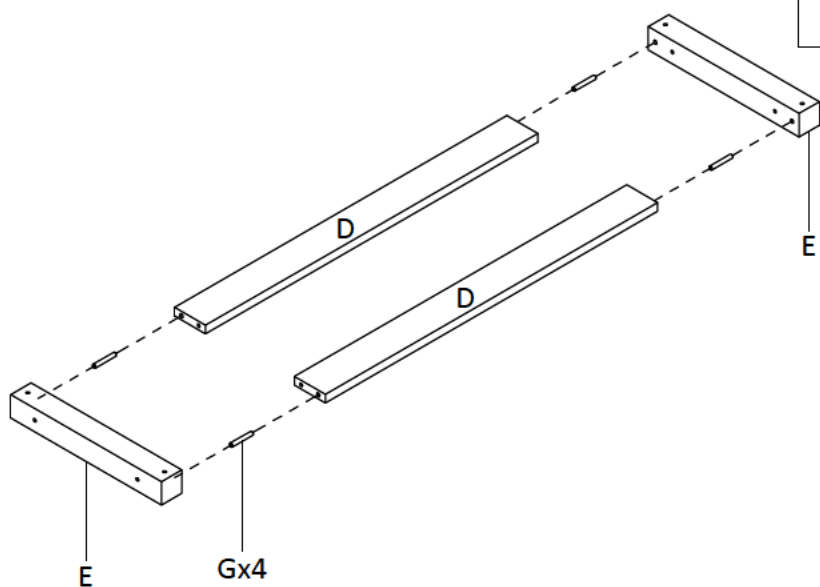
Gx4


Gx4

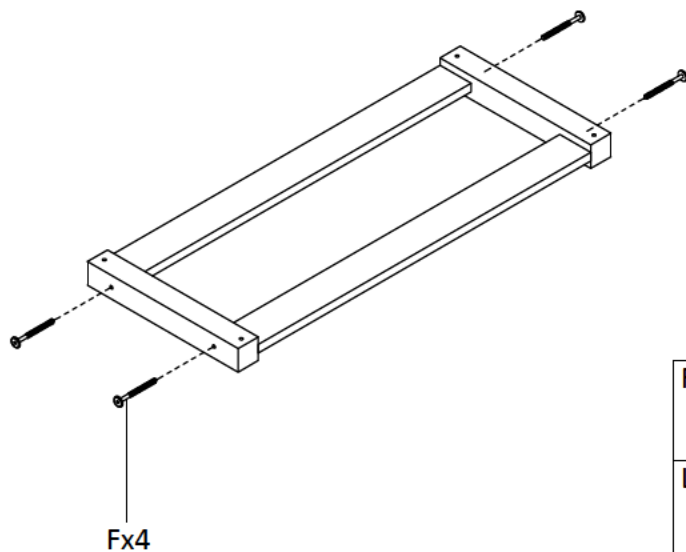
6



7

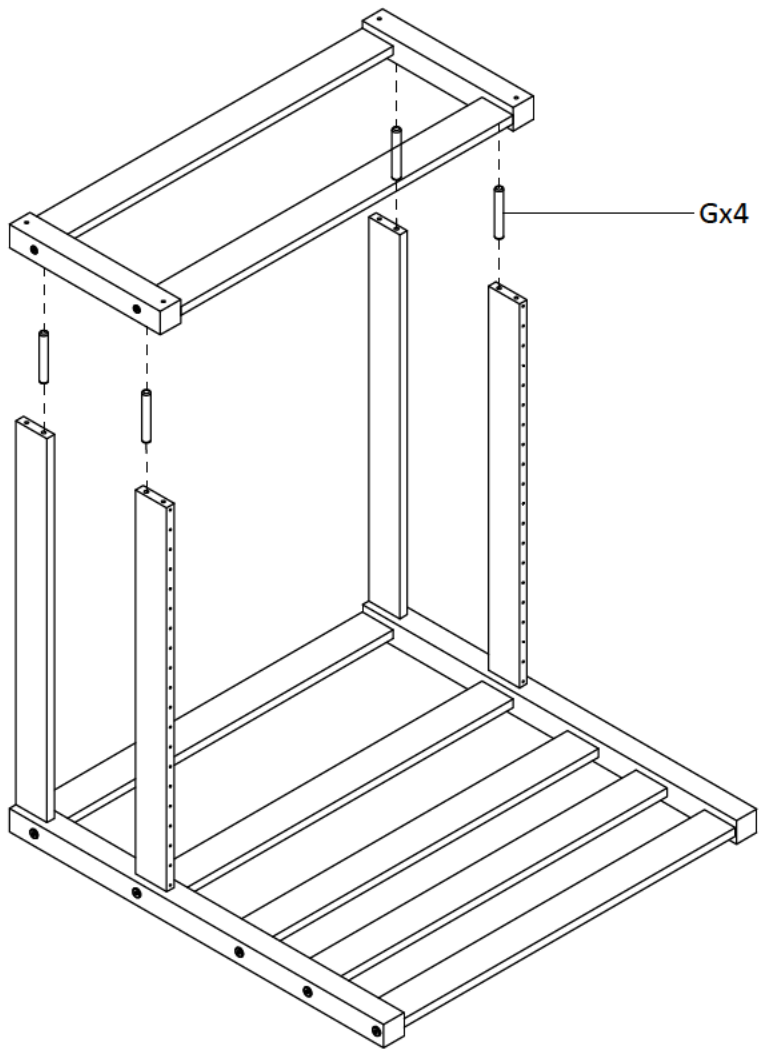


8



9

Gx4

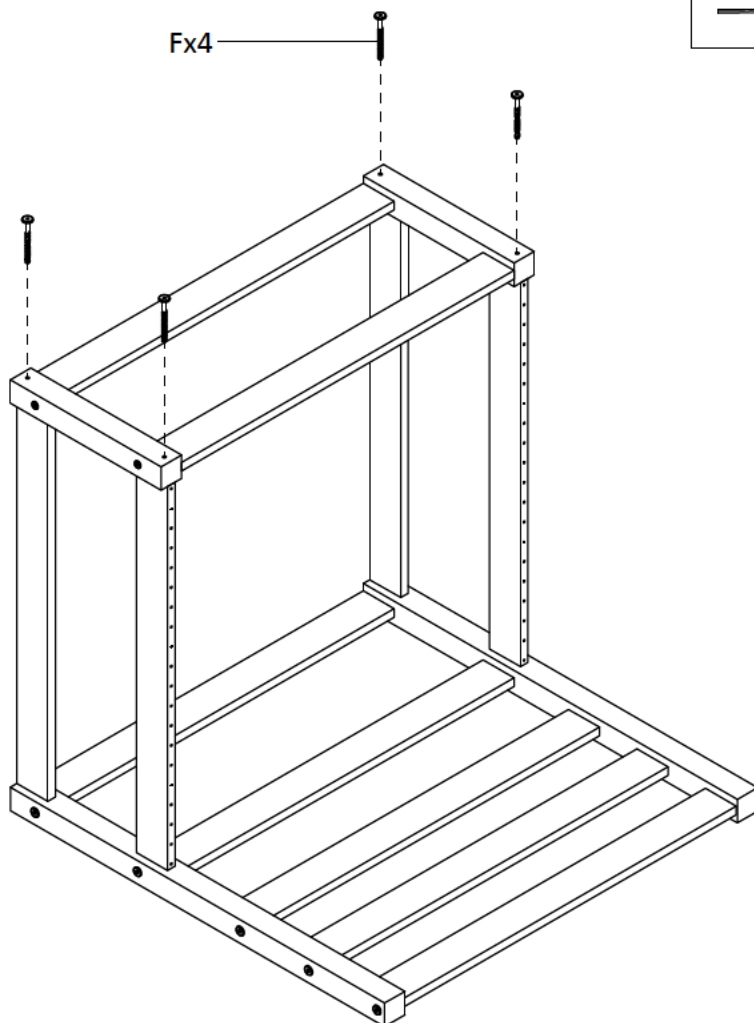


10

Fx4



Lx1

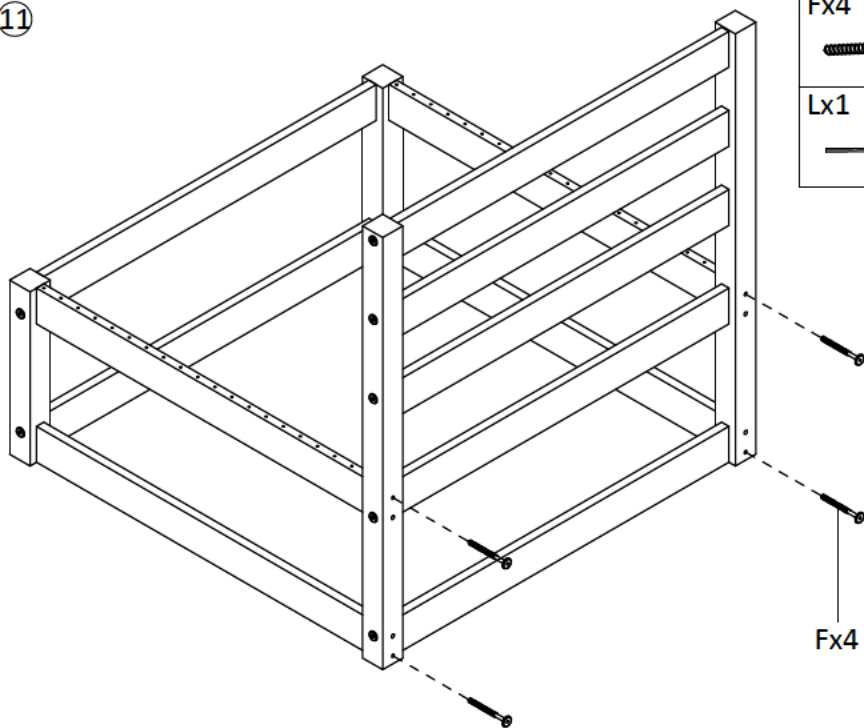


11

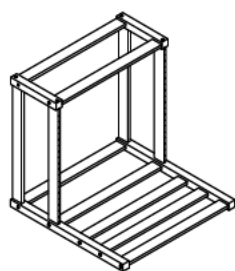
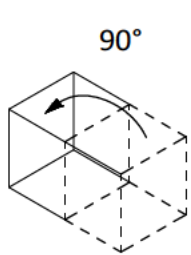
Fx4



Lx1



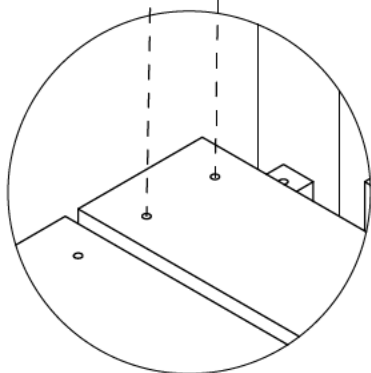
Fx4



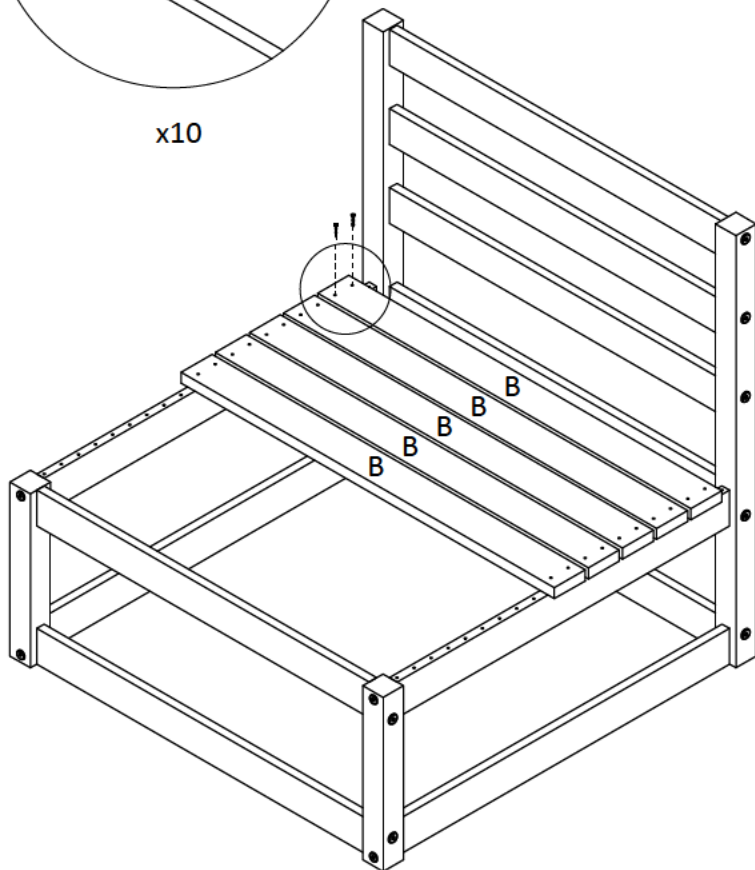
12

Hx2

Hx20



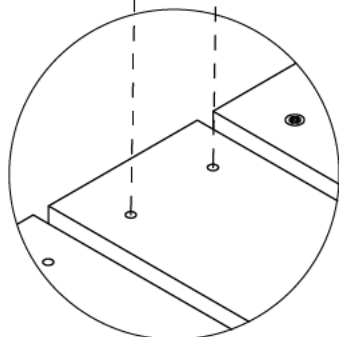
x10



13

Hx2

Hx20



x10

