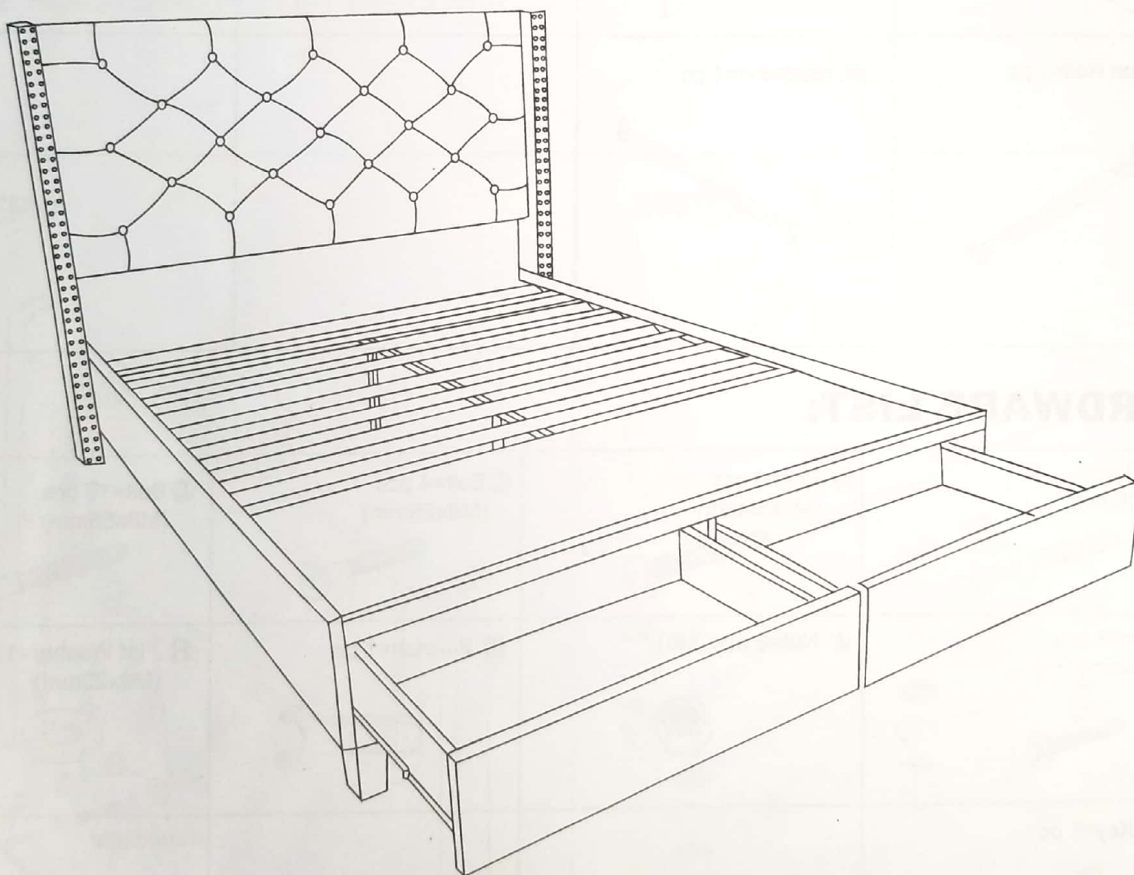


**THANK YOU FOR YOUR PURCHASE
VERSION:J1**

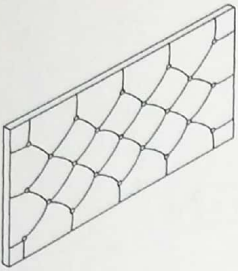
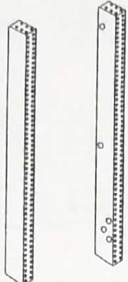
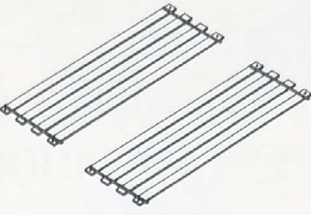

**ASSEMBLY INSTRUCTION
DRAWER BED00052-FULL/QUEEN**

**IMPORTANT: PLACE ALL PARTS ON A CLEAN AND SMOOTH SURFACE SUCH
AS A RUG OR CARPET TO AVOID THE PARTS FROM BEING
SCRATCHED**

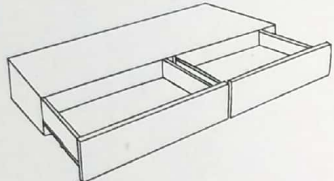
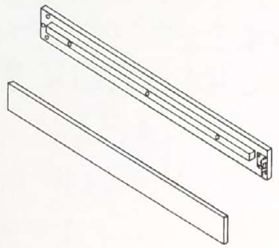


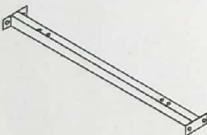
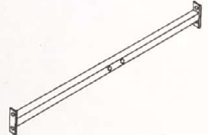
**KINDLY FOLLOW THE ASSEMBLY INSTRUCTIONS STEP
DO NOT TIGHTEN ALL SCREWS UNTIL THE BED IS FULLY SET-UP
THE BED DRAWERS, SIDE RAILS, SUPPORT RAIL, CROSSBAND
AND PLASTIC LEGS ARE INCLUDED **BOX 2****






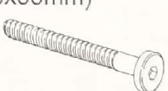


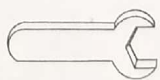


PARTS LIST(BOX 1):

<p>① Headboard=1 pc</p> 	<p>④ Wingback=2 pcs</p> 	<p>⑦ Slat=2 sets (8pcs)</p> 	<p>⑨ Support Leg=2 pcs</p> 
---	---	--	--

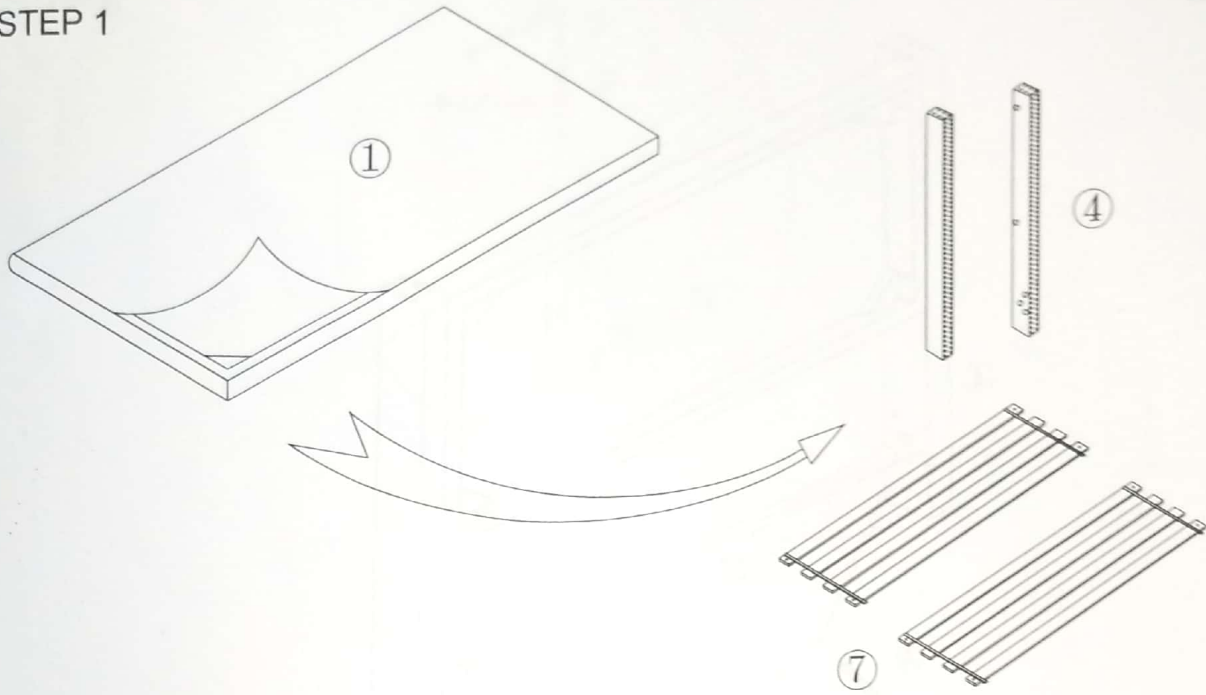
PARTS LIST(BOX 2):

<p>② Drawer=1 set</p> 	<p>③ Side Rail=2 pcs</p> 	<p>⑤ Plastic Pad=5 pcs</p> 	<p>⑥ Plastic Leg=5 pcs</p> 
<p>⑧ Support Rail=1 pc</p> 	<p>⑩ Crossband=1 pc</p> 		

HARDWARE LIST:

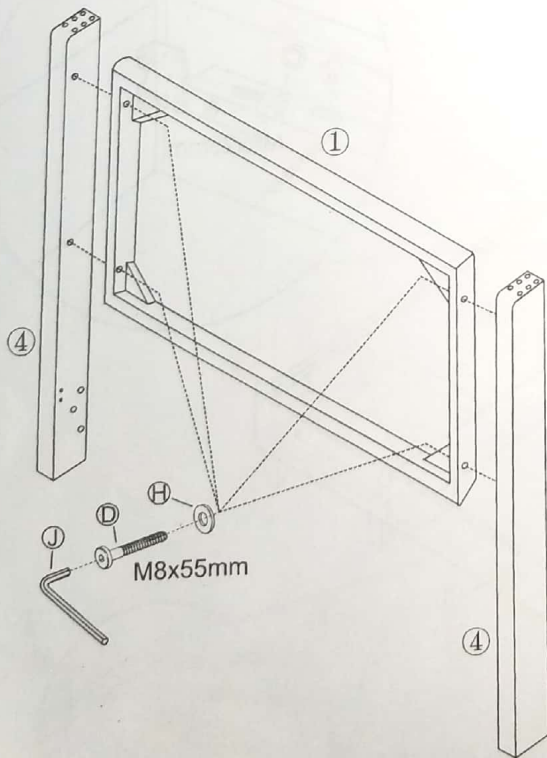
<p>Ⓐ Bolt=6 pcs (M6x25mm)</p> 	<p>Ⓑ Bolt=6 pcs (M6x35mm)</p> 	<p>Ⓒ Bolt=4 pcs (M8x25mm)</p> 	<p>Ⓓ Bolt=10 pcs (M8x55mm)</p> 
<p>Ⓔ Screw=8 pcs (4X35mm)</p> 	<p>Ⓕ Nut=6 pcs (M6)</p> 	<p>Ⓖ Wrench=1 pc</p> 	<p>Ⓗ Flat Washer=10 pcs (M8x22mm)</p> 
<p>Ⓙ Allen Key=1 pc</p> 			

STEP 1

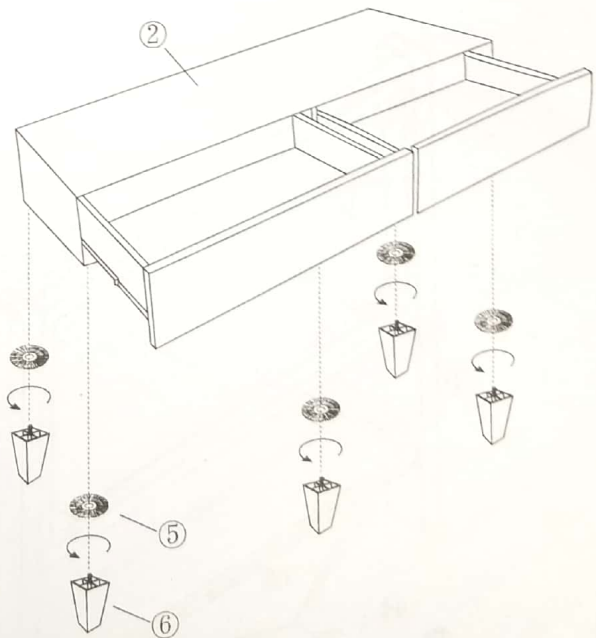


WINGBACKS, SLATS HIDDEN INSIDE OF THE HEADBOARD, PLZ LIFT THE COVER.

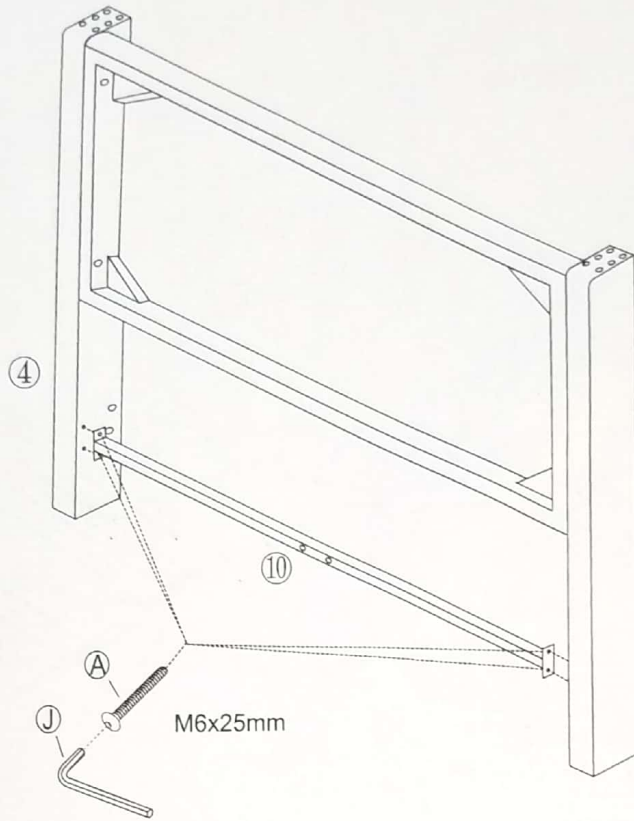
STEP 2



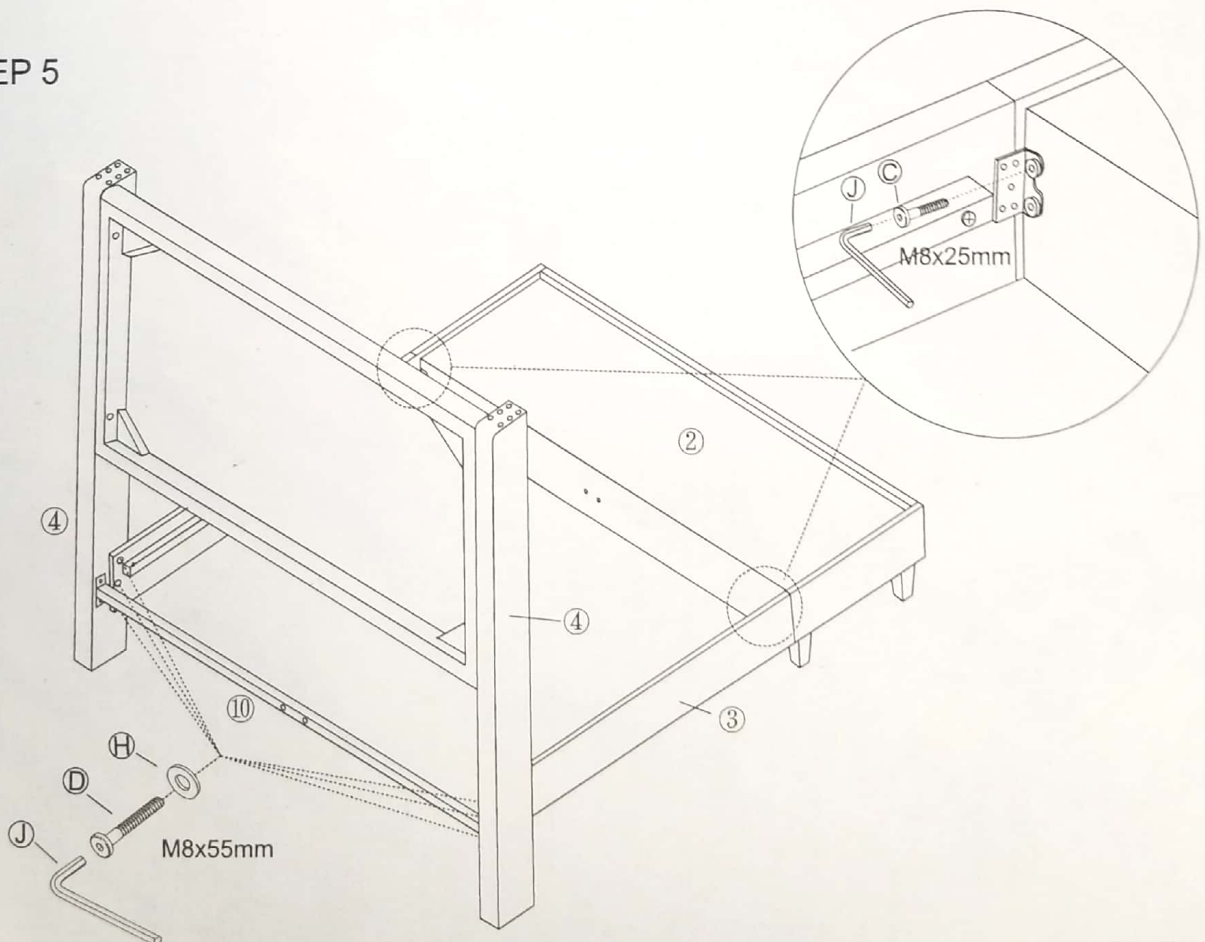
STEP 3



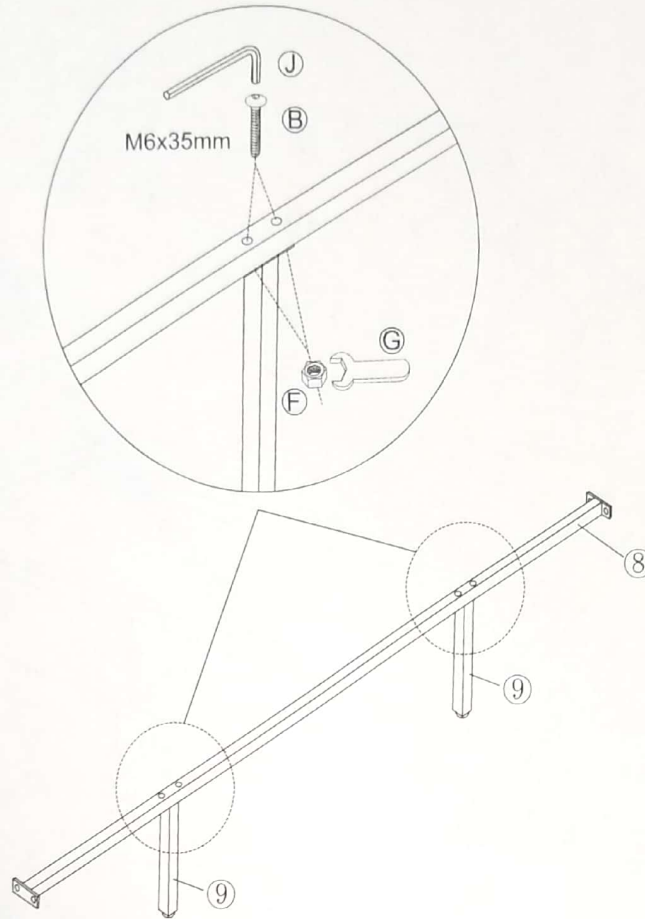
STEP 4



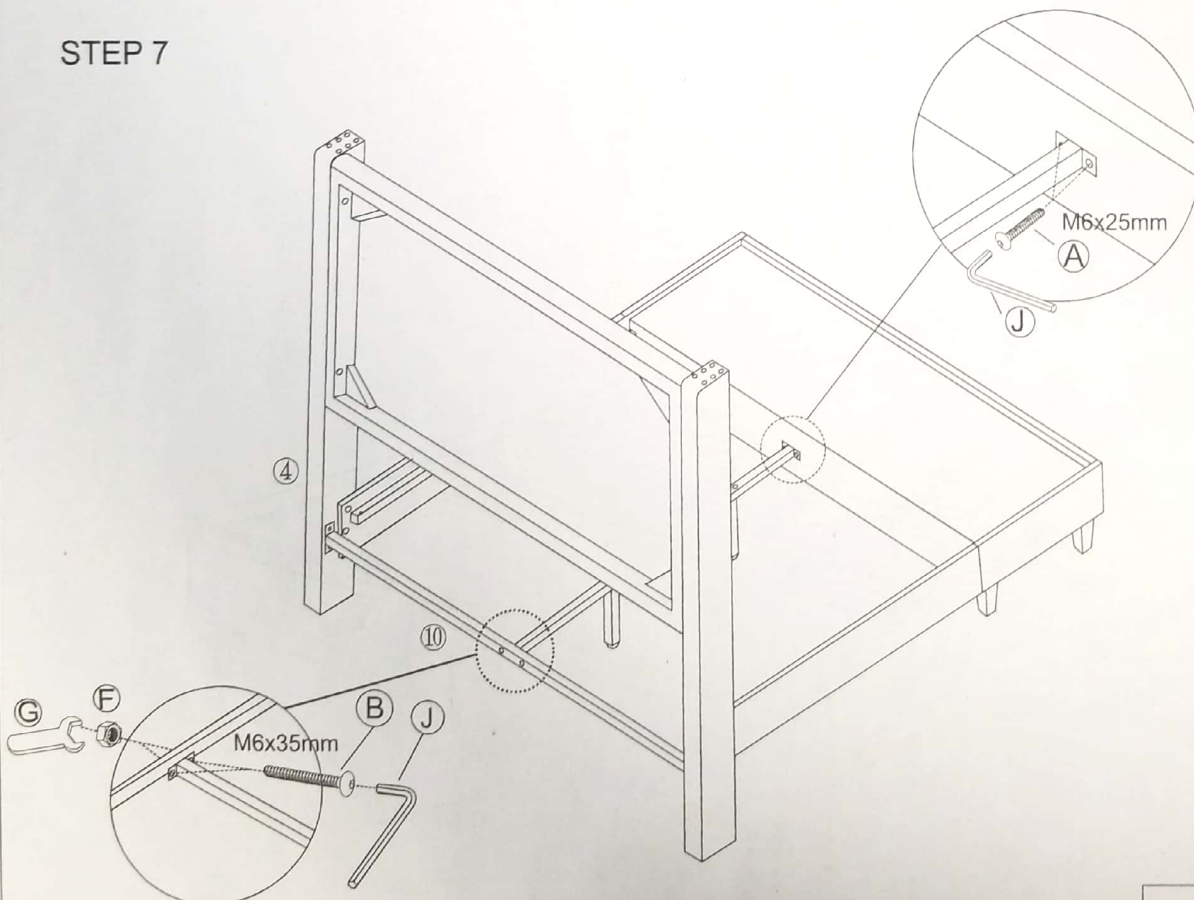
STEP 5



STEP 6



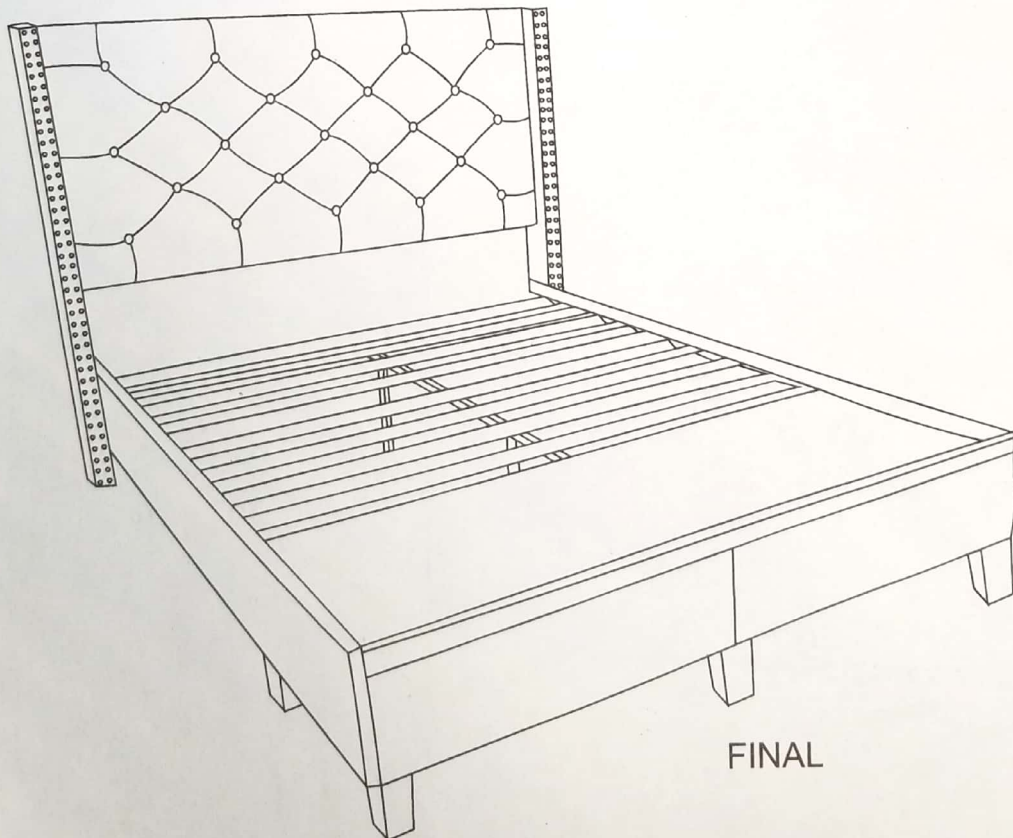
STEP 7



STEP 8



STEP 9



FINAL