


Assembly & Installation Instructions

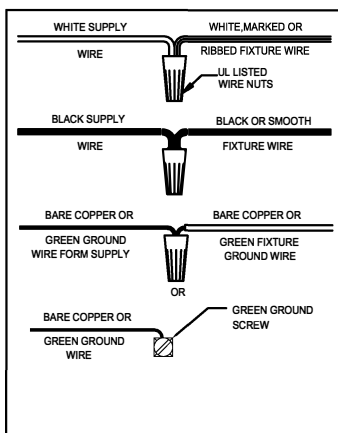
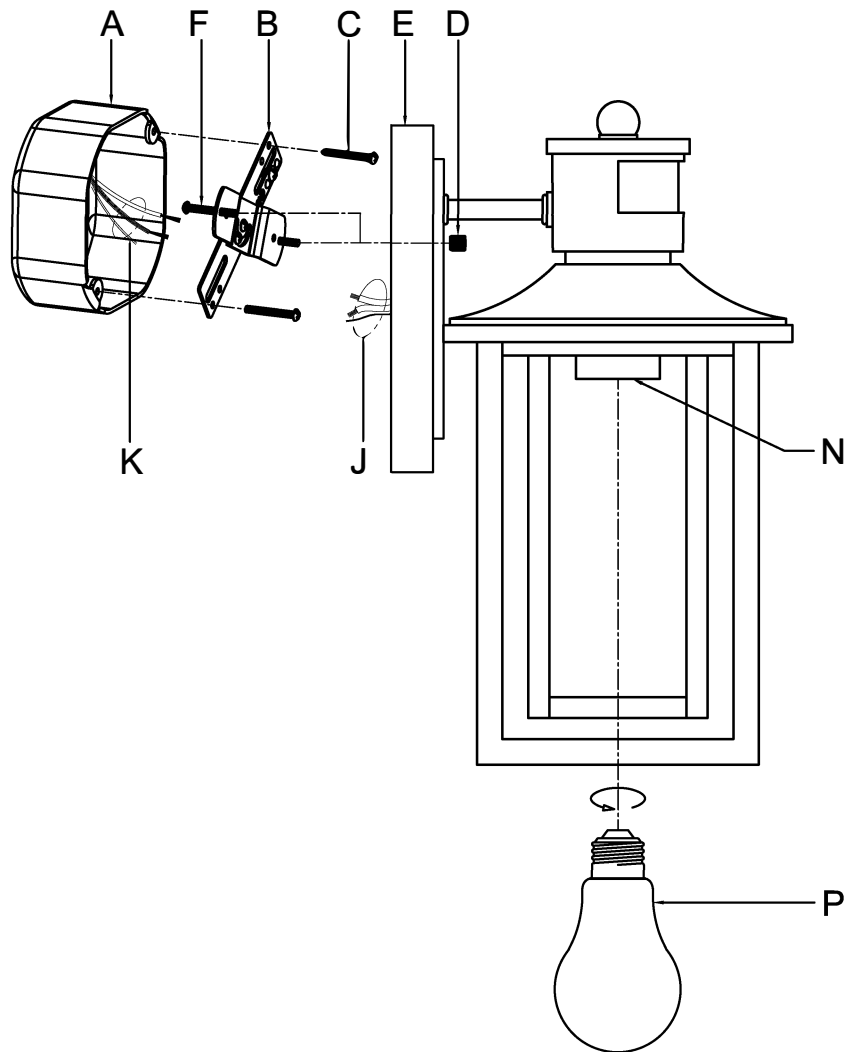
CAUTION: Read Instructions carefully and turn electricity off at main circuit breaker panel before beginning installation.

WARNING -If any Special Control Devices are used with this Fixture, Follow the instructions Carefully to assure full compliance with N.E.C. requirements. If there are any questions, contact a Qualified Electrical Contractor.
WARNING -This product contains chemicals known to the State of California to cause cancer, birth defects and/or other reproductive harm. Thoroughly wash hands after installing, handling, cleaning, or otherwise touching this product.
CAUTION - All glass is fragile, use care when handling Glass component(s) and or Lamp(s).
WARNING -To comply with the National Electrical Code and Underwriters Laboratories requirements, when installed outdoors, or in wet locations, the edge of the wall plate coming in contact with the mounting surface, must be sealed with a latex waterproof caulking to prevent water from entering the outlet box.

ASSEMBLY STEPS:

PASOS PARA ENSAMBLAR:

1. F _____ B
2. C, B _____ A
3. J _____ K 
4. D, E _____ A
5. P _____ N



A, P, K
 (NOT FURNISHED)
 (NO INCLUIDA)
 (NON FOURNIE)

Product Function:

1.Boot Warm-Up Time(TON): 15 ± 5 Sec(It can be used normally after the power-on Warm-up time is over:)

2:Light Control Function+ Motion Sensor Function:

A).Daytime:The wall lamp turn off: But when the brightness of the ambient light reaches the lumen value of the starting light: $5\sim 100$ LUX,the wall lamp will light up 30%of the brightness (for example,in rainy days and other weather with dim ambient light).

B). Dusk:When the ambient light brightness reaches the lumen value of the starting light: $5\sim 100$ LUX,the wall lamp lights up at 30%brightness.After detecting the activity, the wall lamp will switch to 100% brightness:

When the wall lamp continues to monitor activity,it will continue to light up at 100% brightness:

When the wall lamp cannot detect any activity,it will turn to 30% brightness after 120 ± 30 seconds:

C):The ambient light brightness reaches the lumen value of turning off the light:Max 800LUX, the wall lamp will automatically go out in 30 ± 10 seconds.

