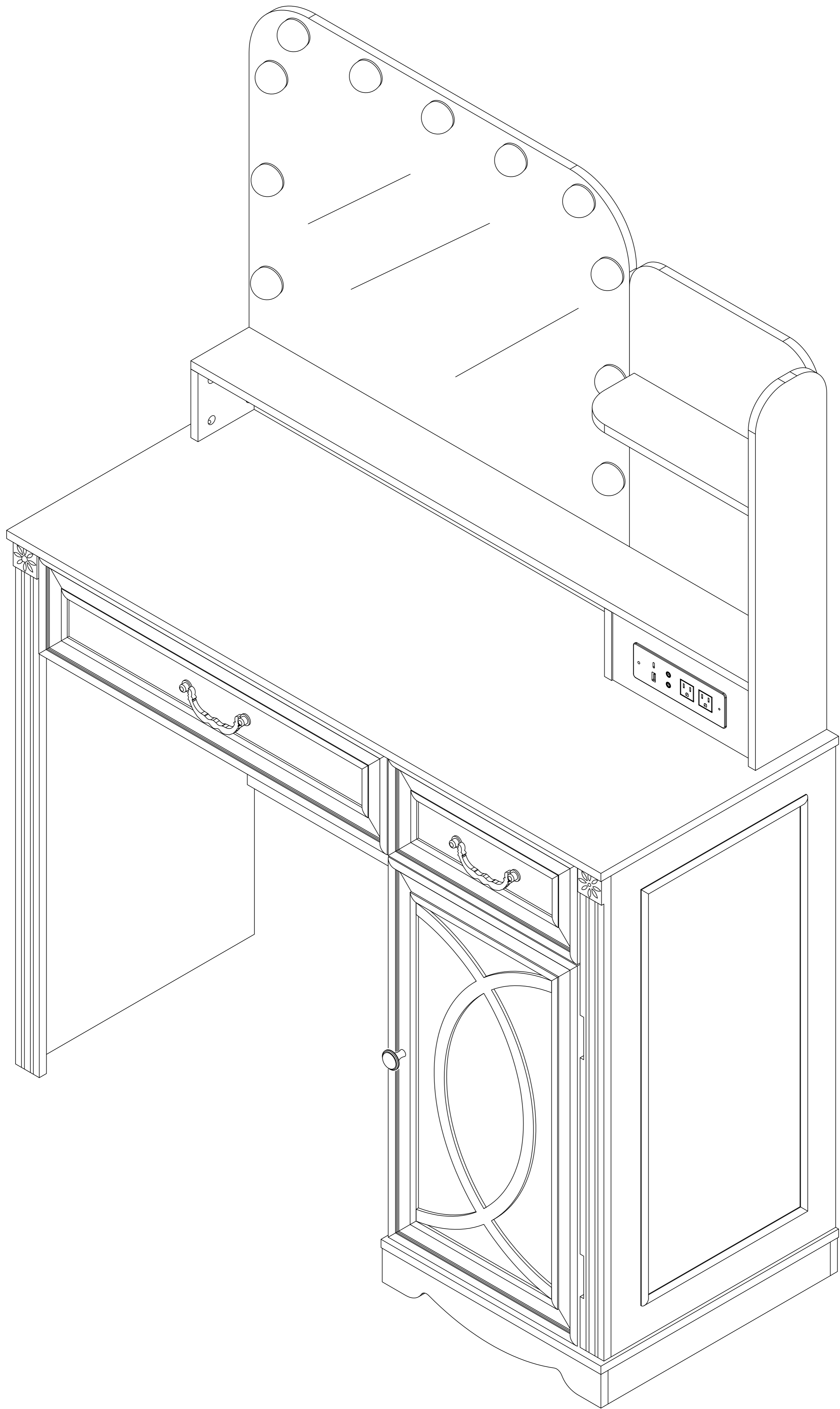
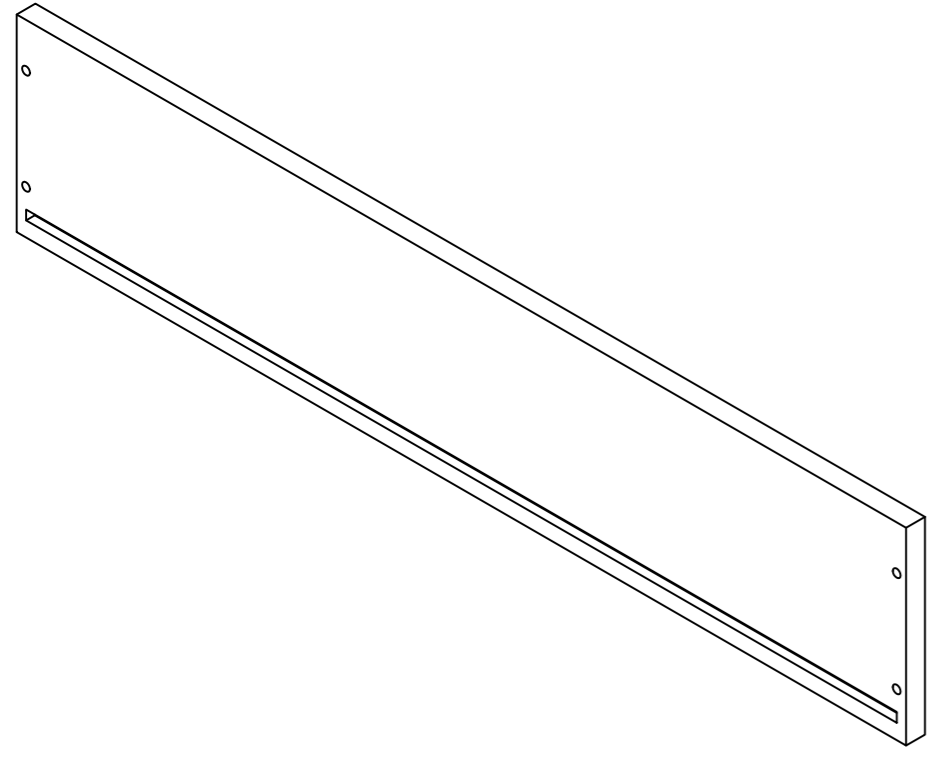
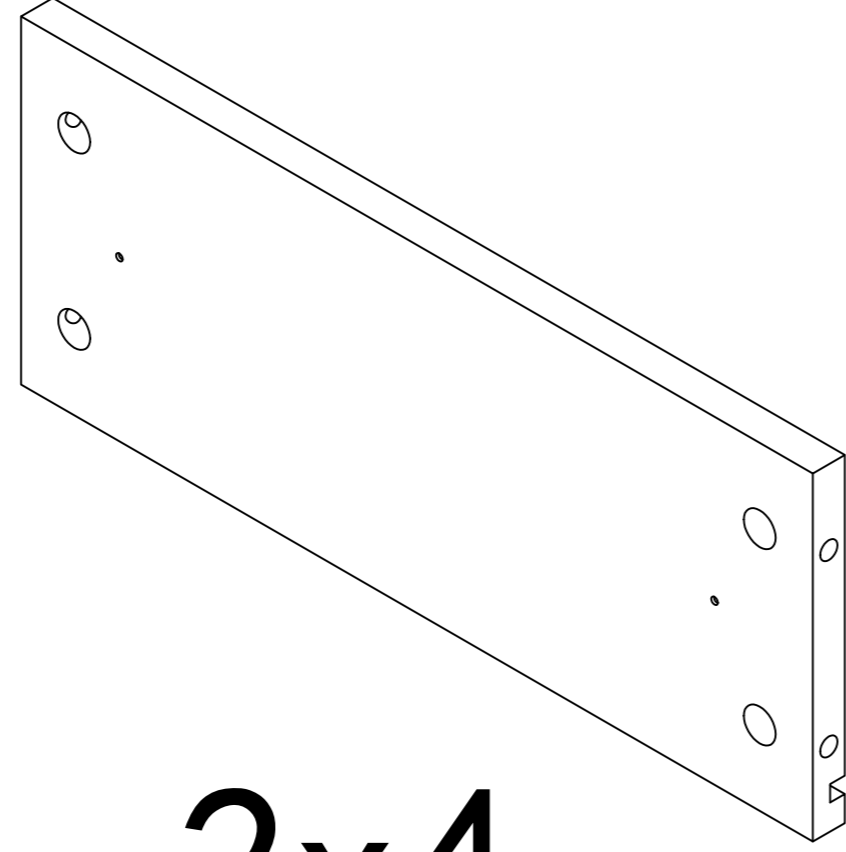


Product Installation Instructions

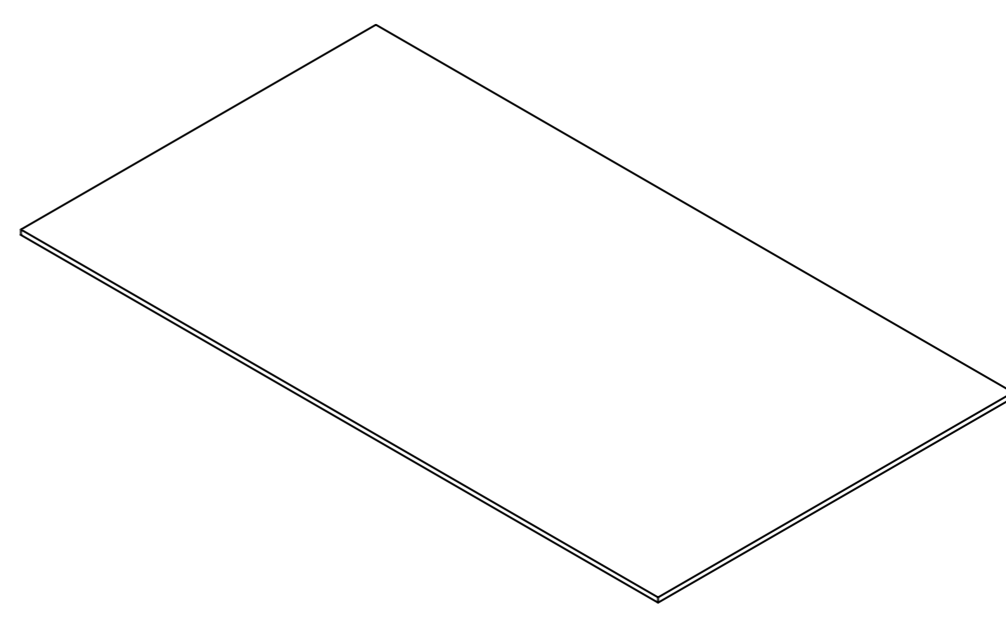




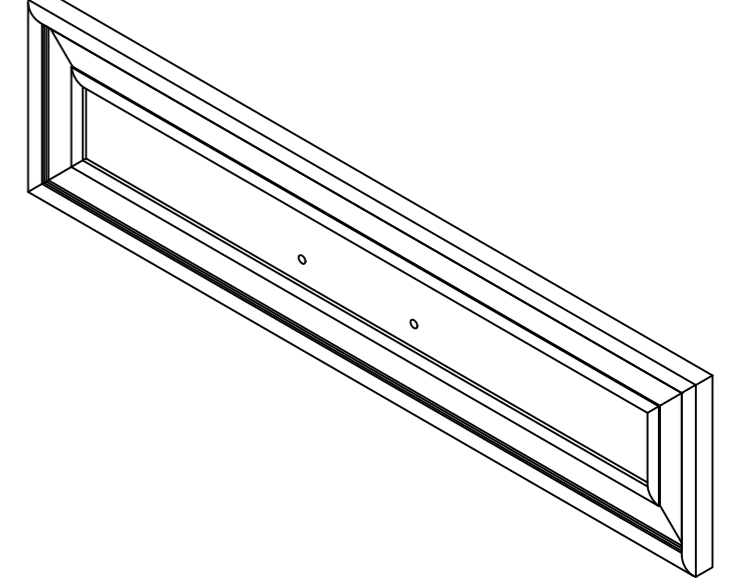
1x1



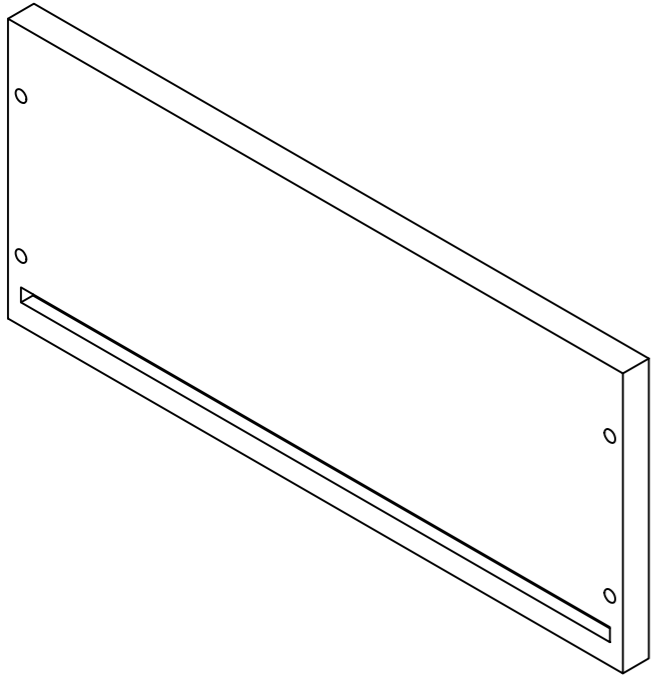
2x4



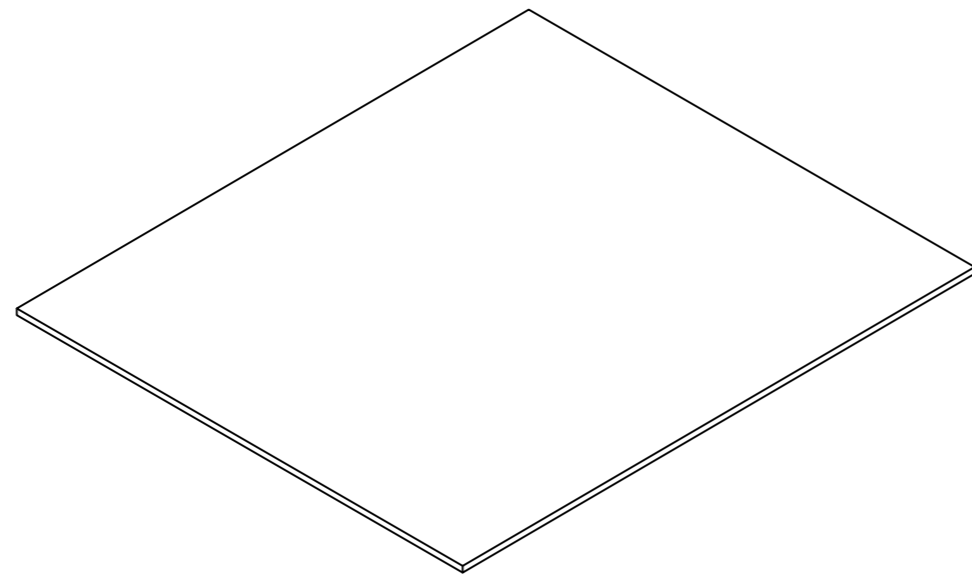
3x1



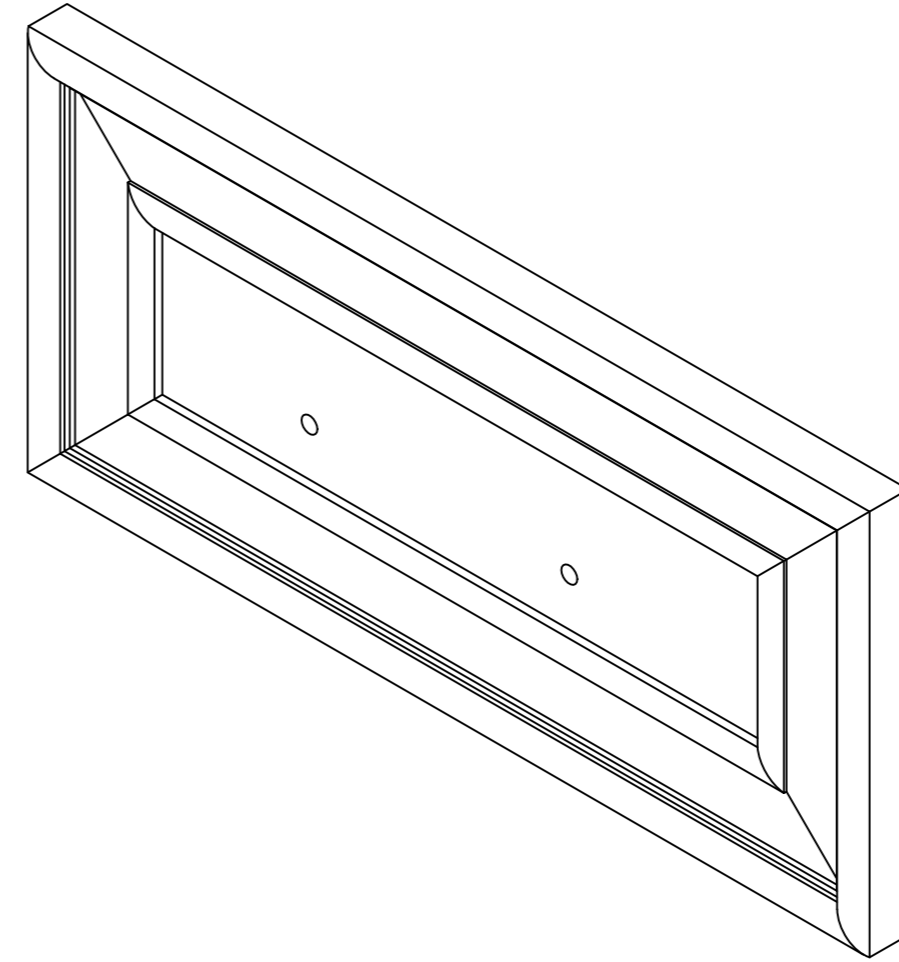
4x1



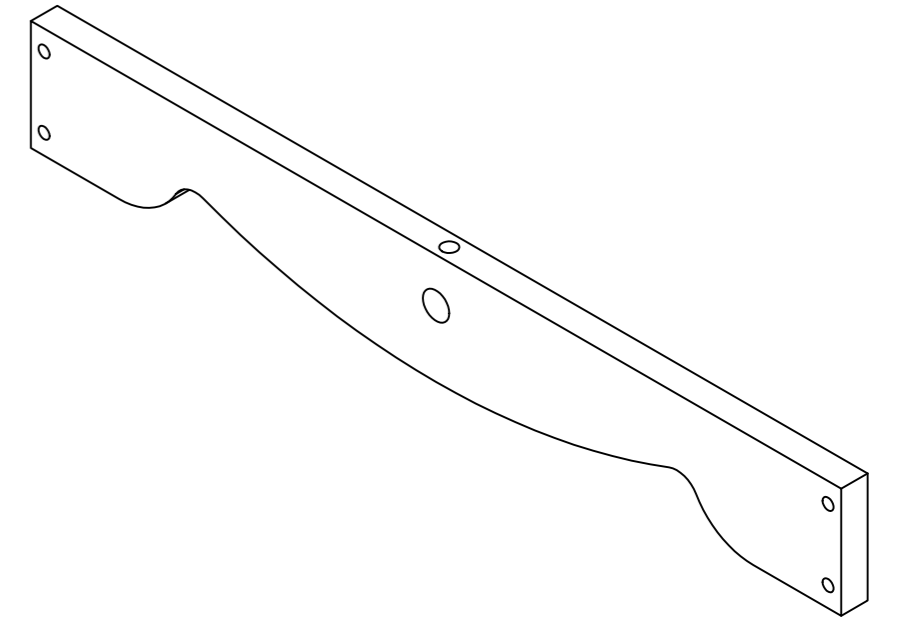
5x1



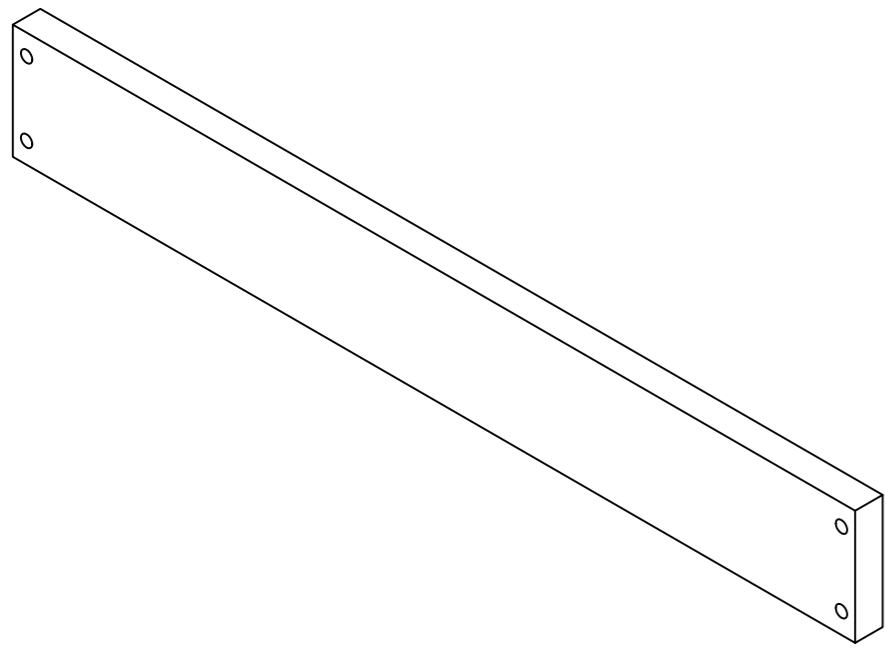
6x1



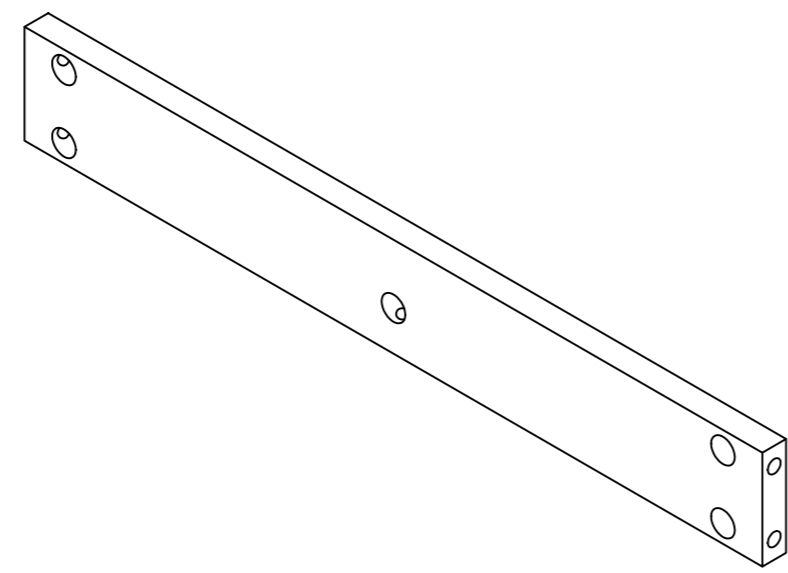
7x1



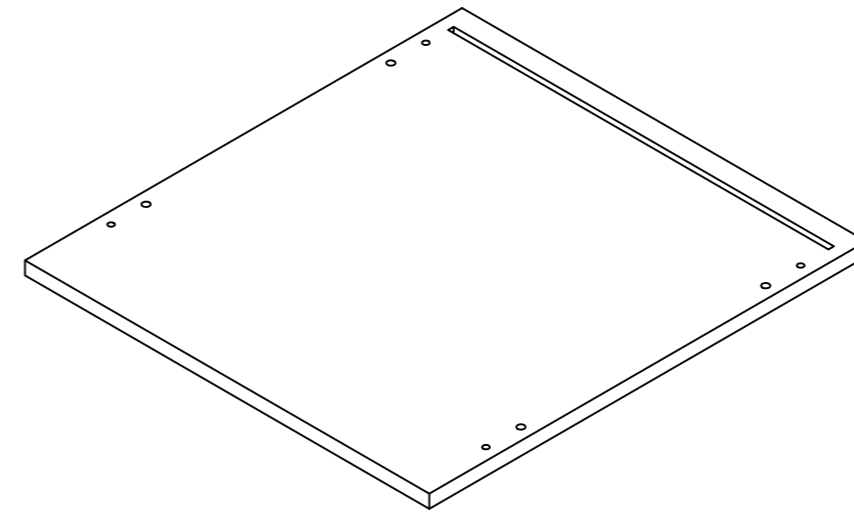
8x1



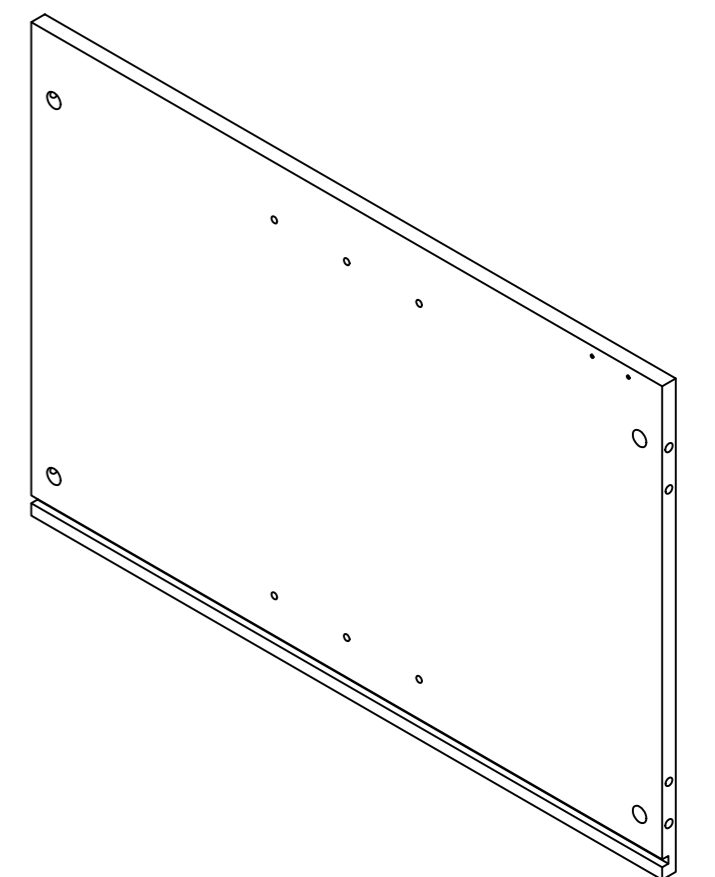
9x1



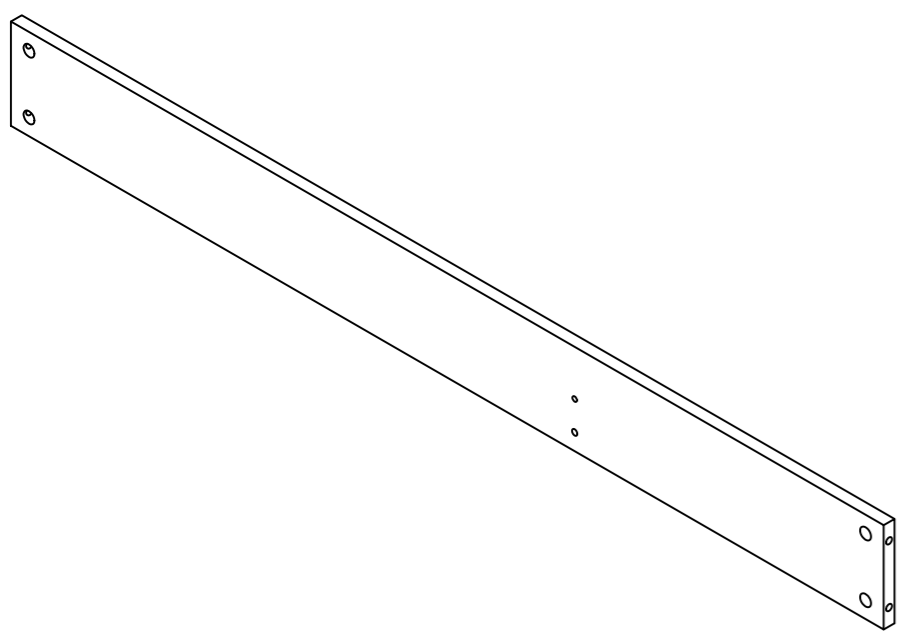
10x2



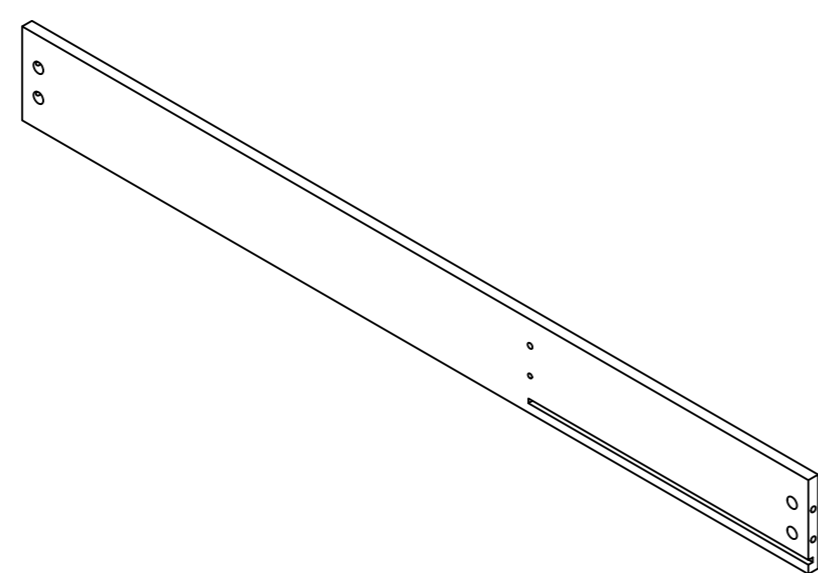
11x1



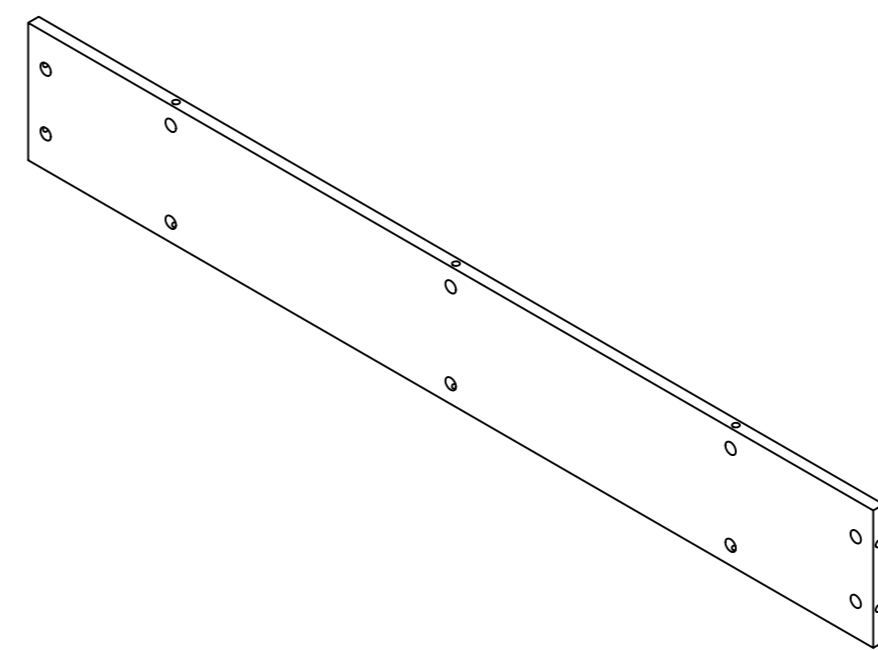
12x1



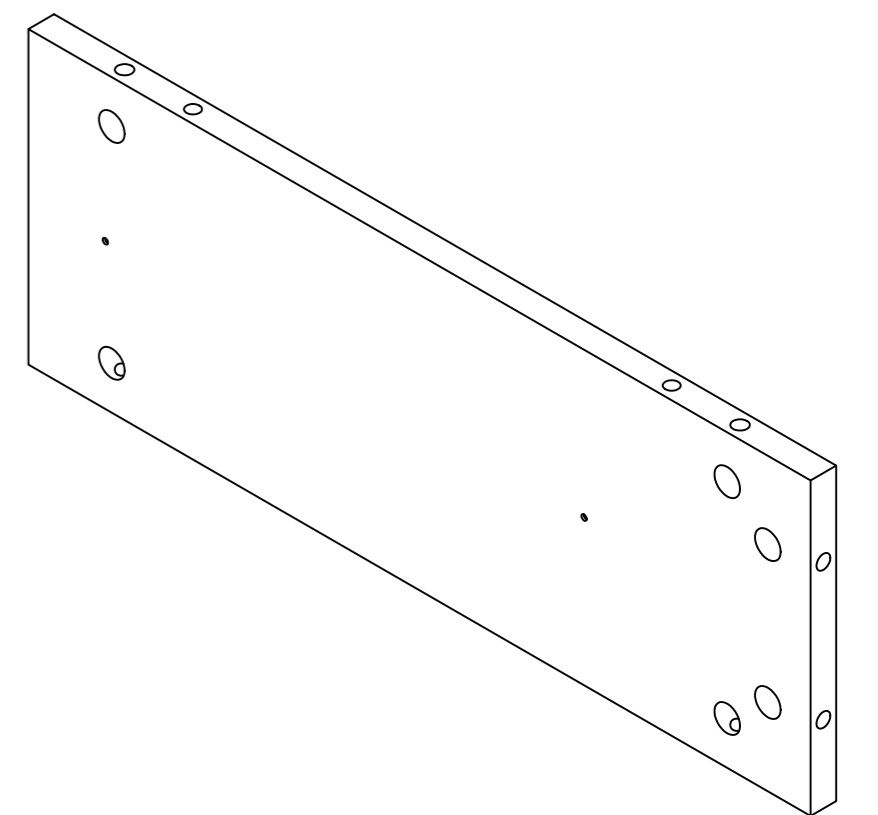
13x1



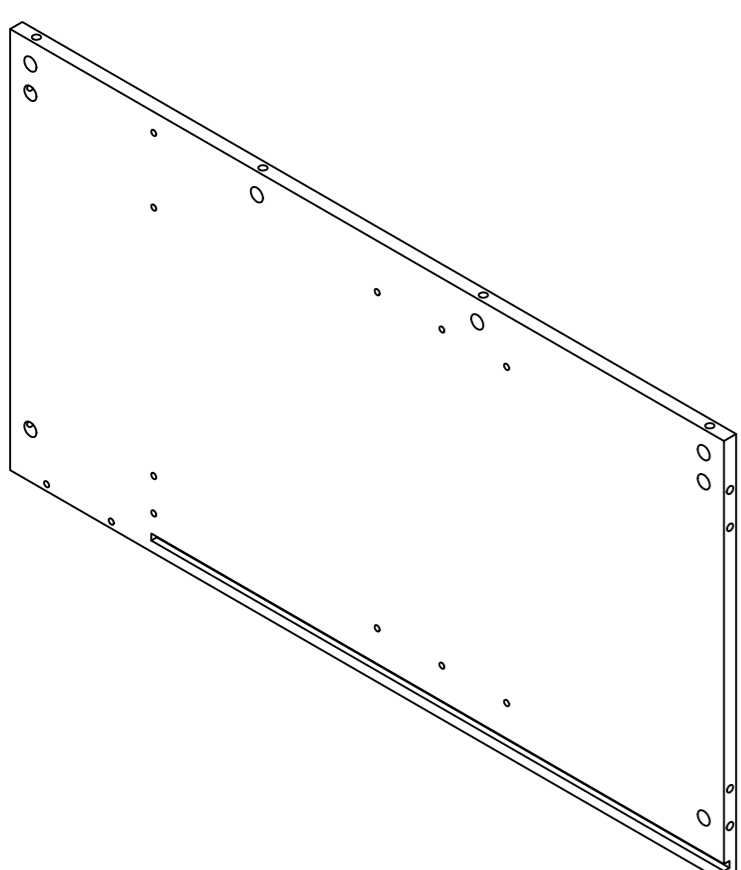
14x1



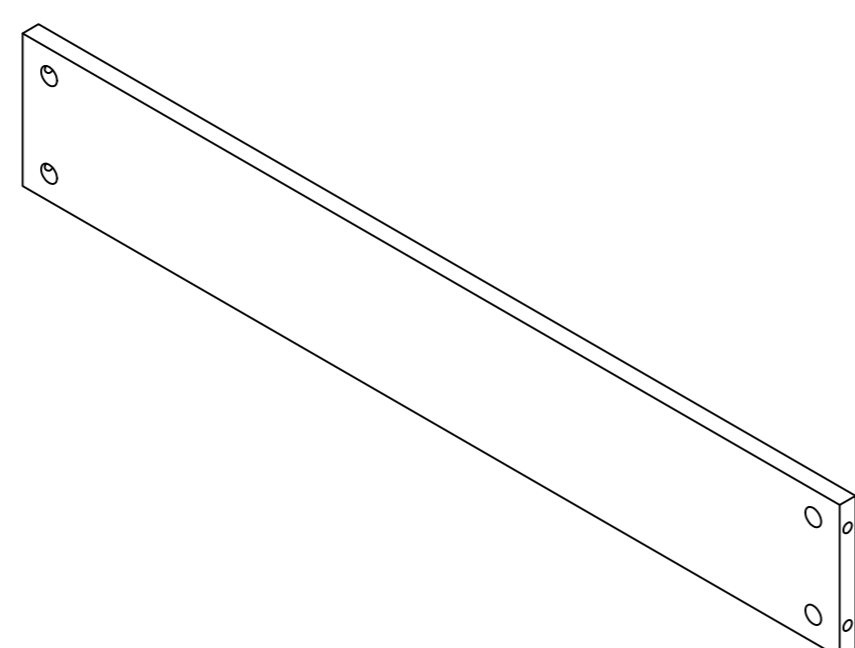
15x1



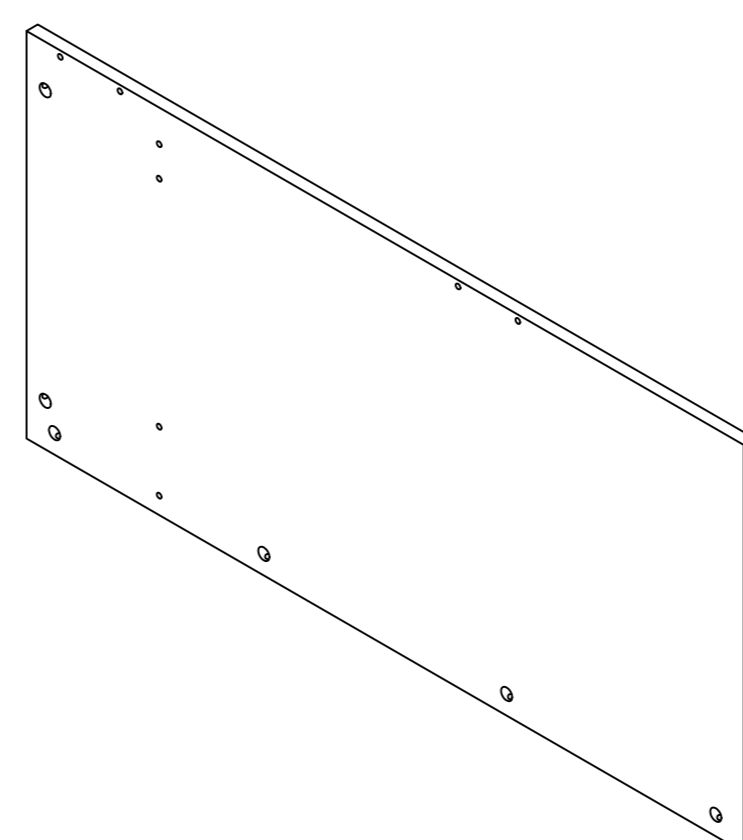
16x1



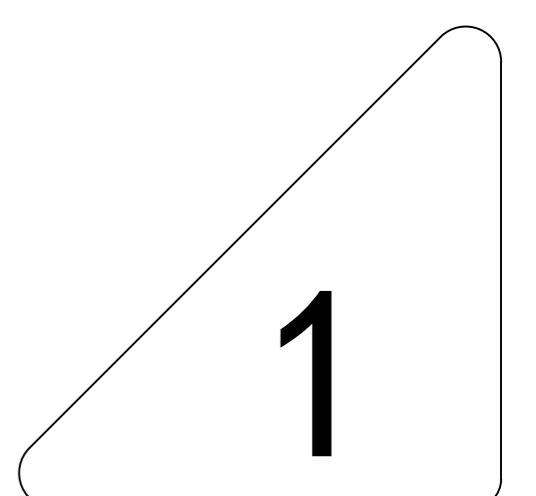
17x1



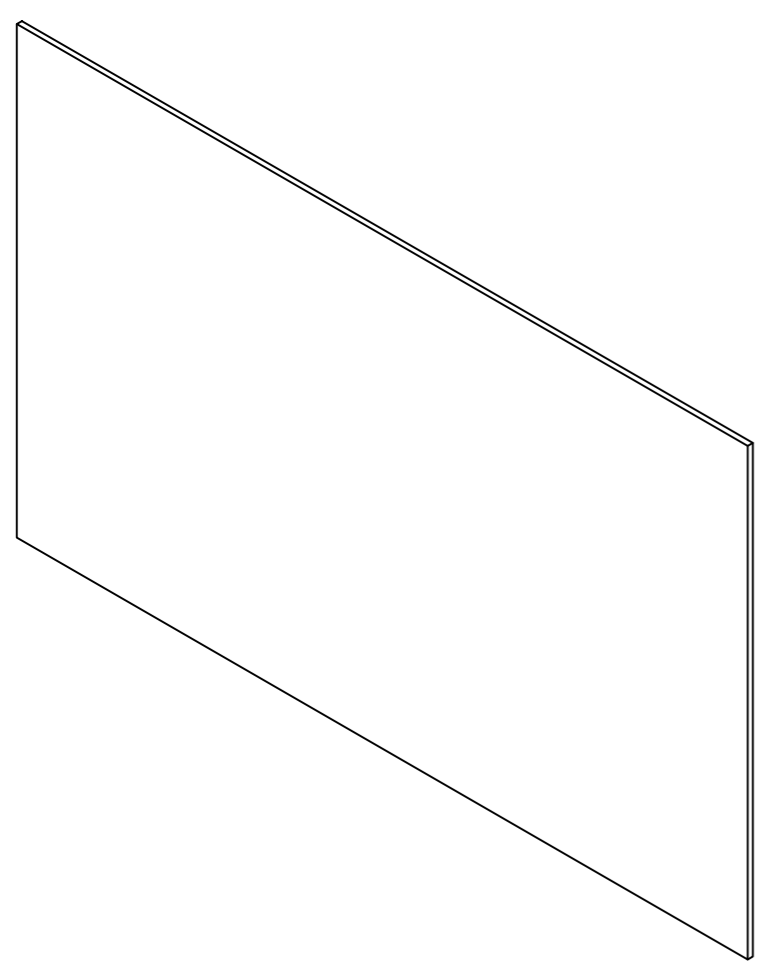
18x1



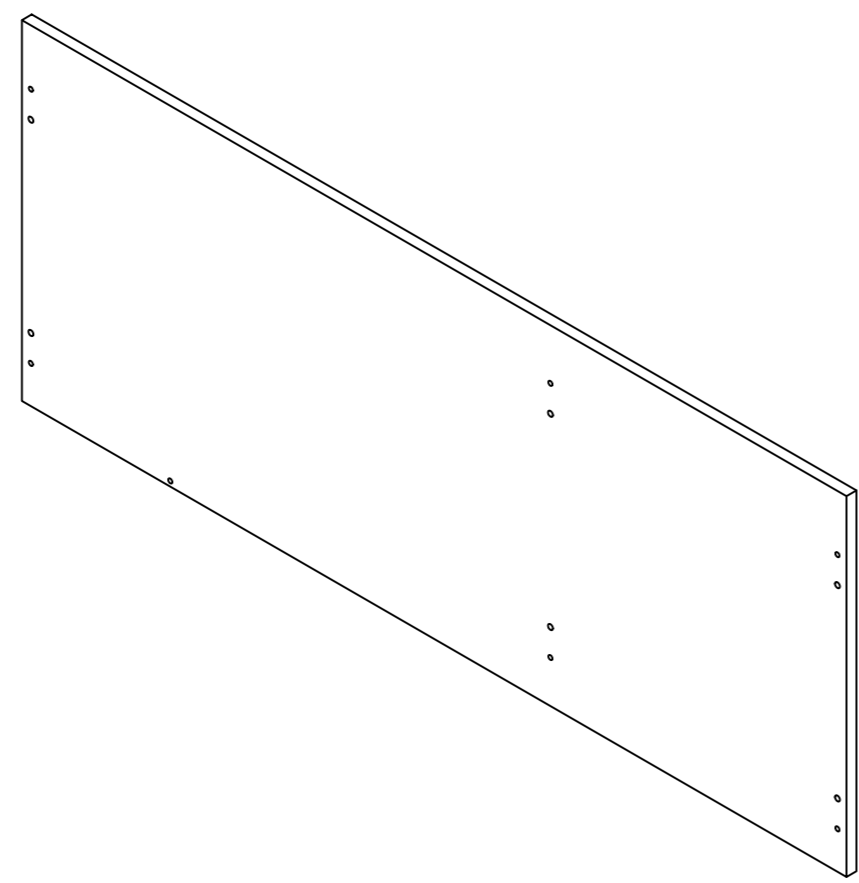
19x1



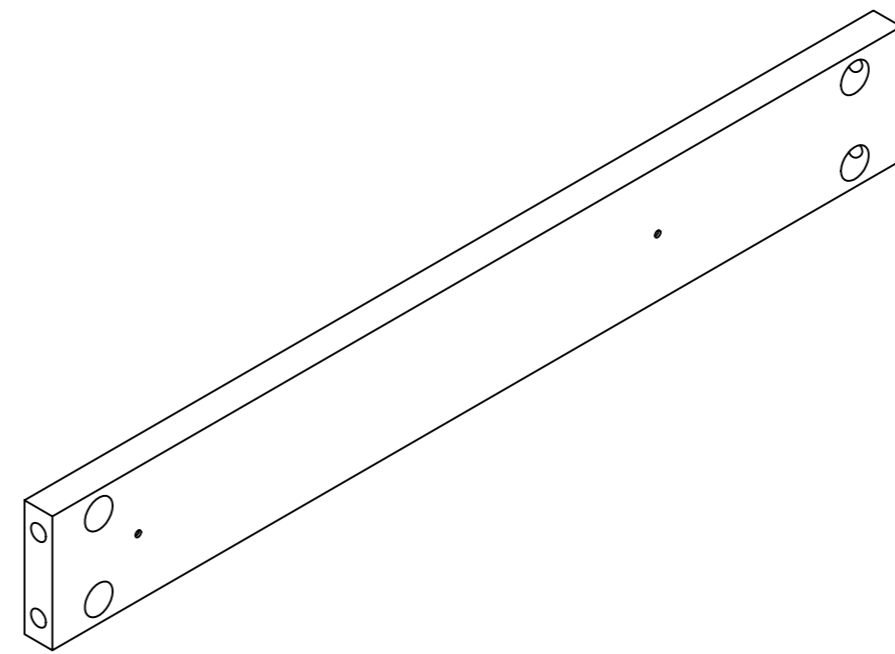
1



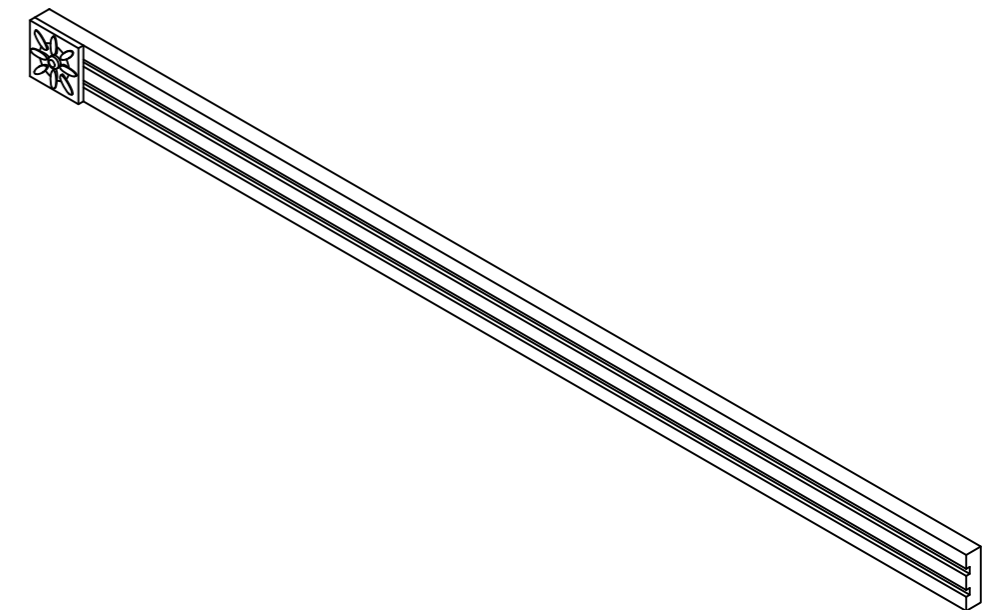
20x1



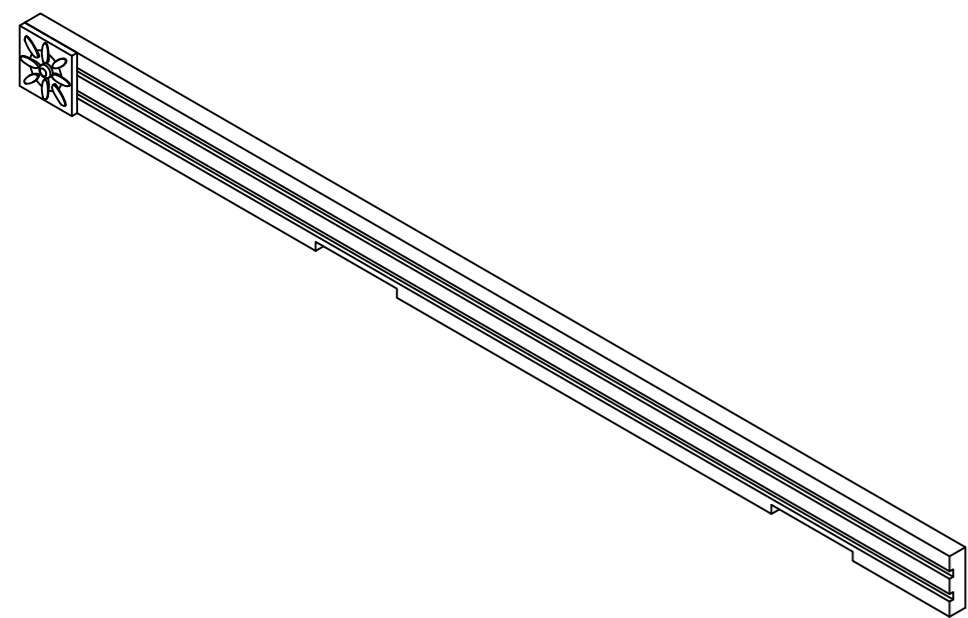
21x1



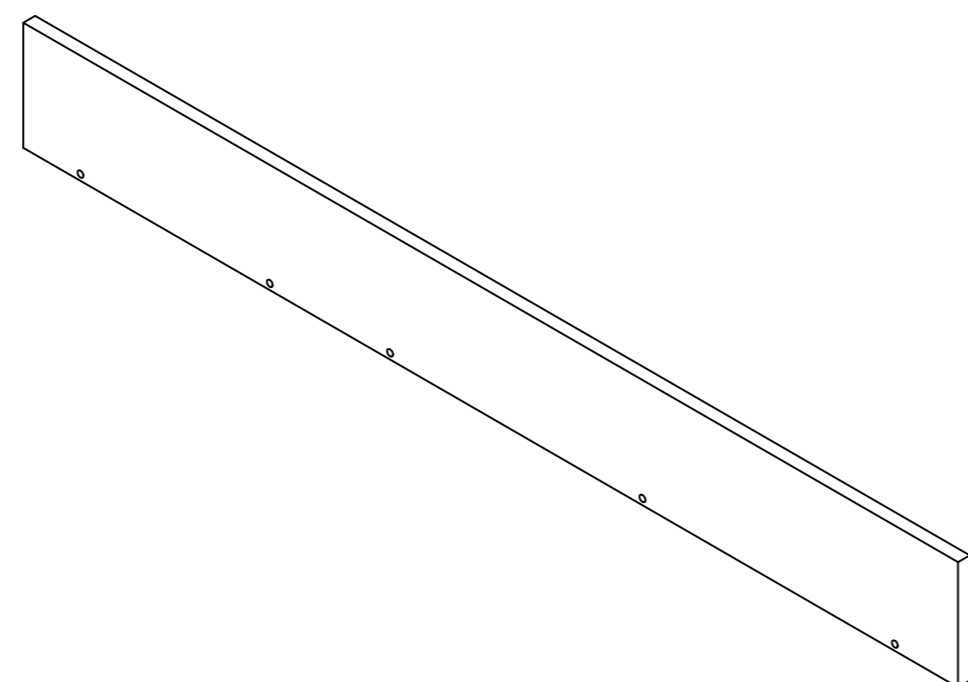
22x2



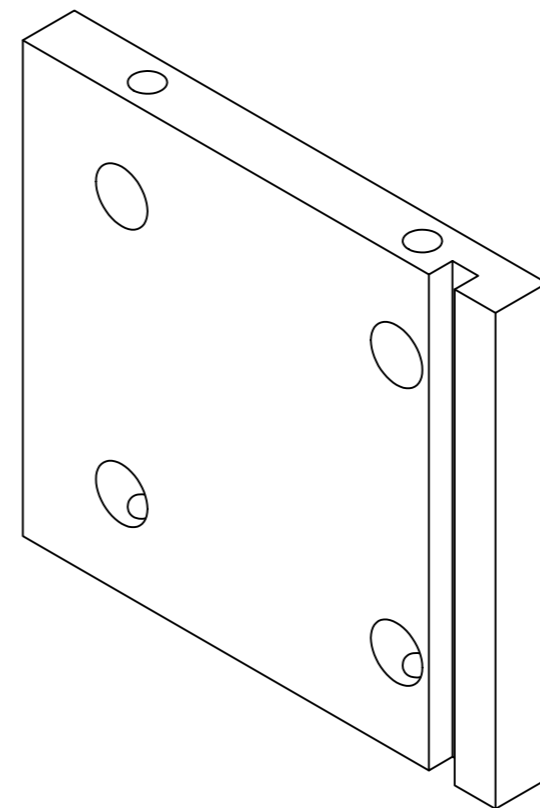
23x1



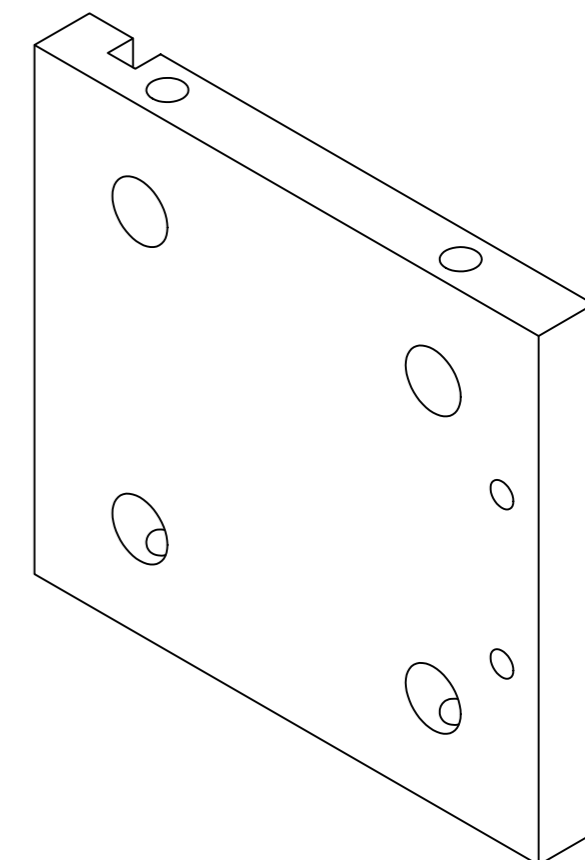
24x1



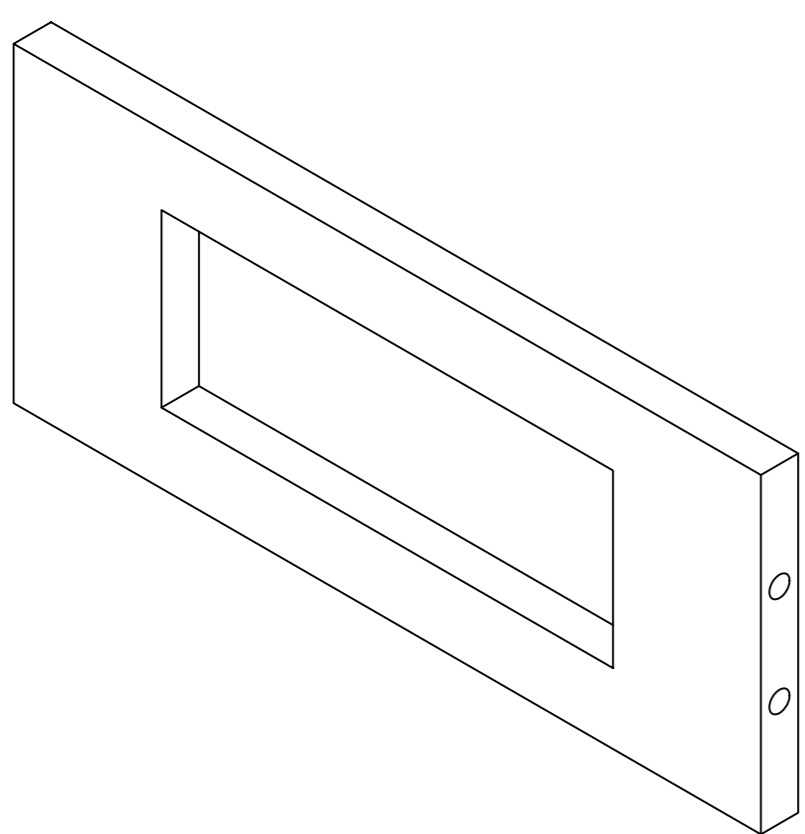
25x1



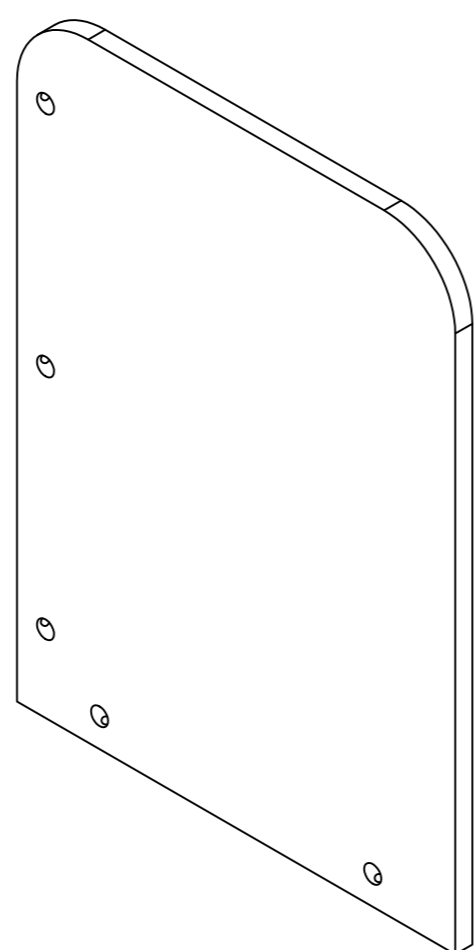
26x1



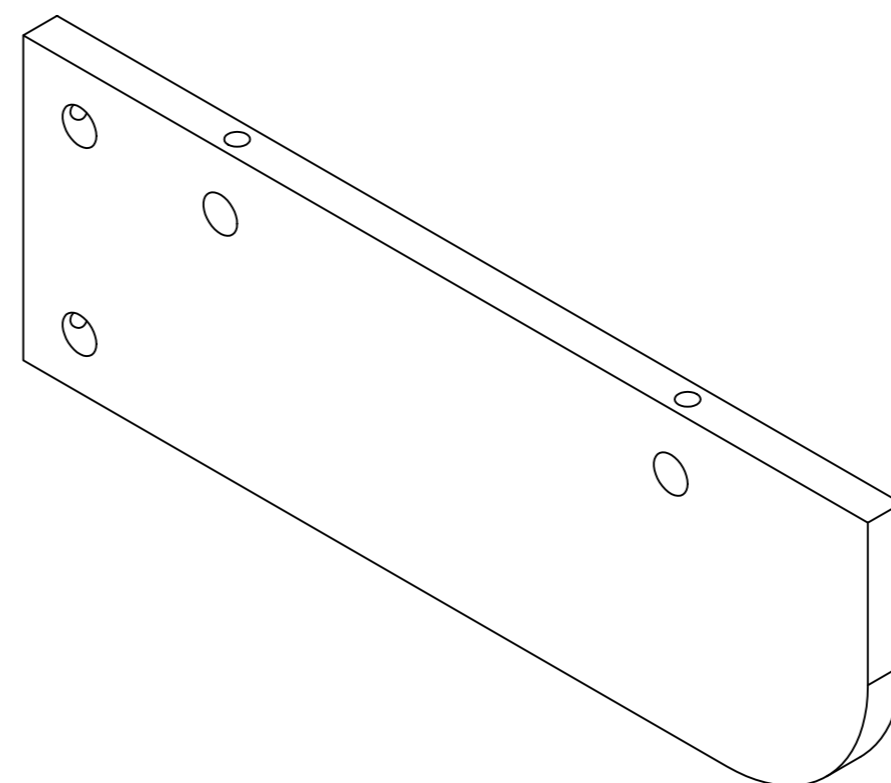
27x1



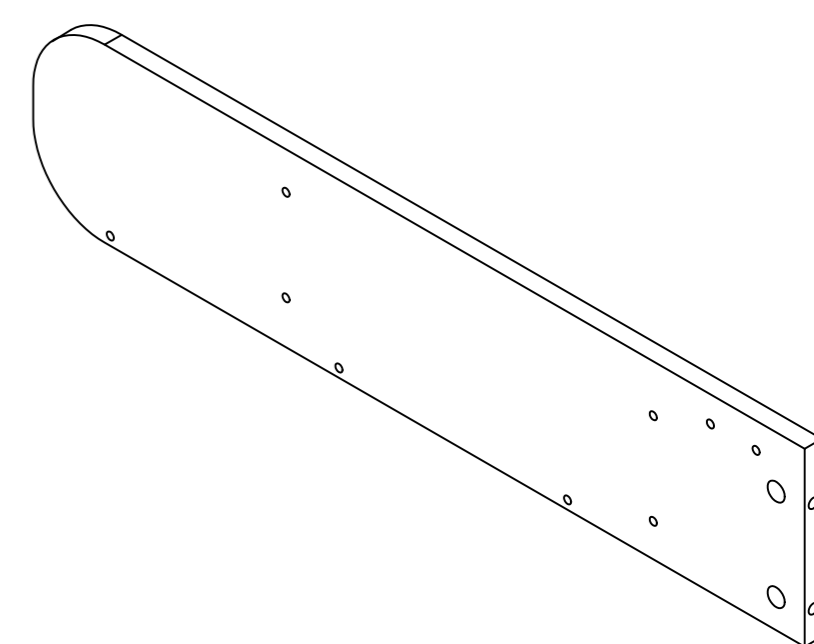
28x1



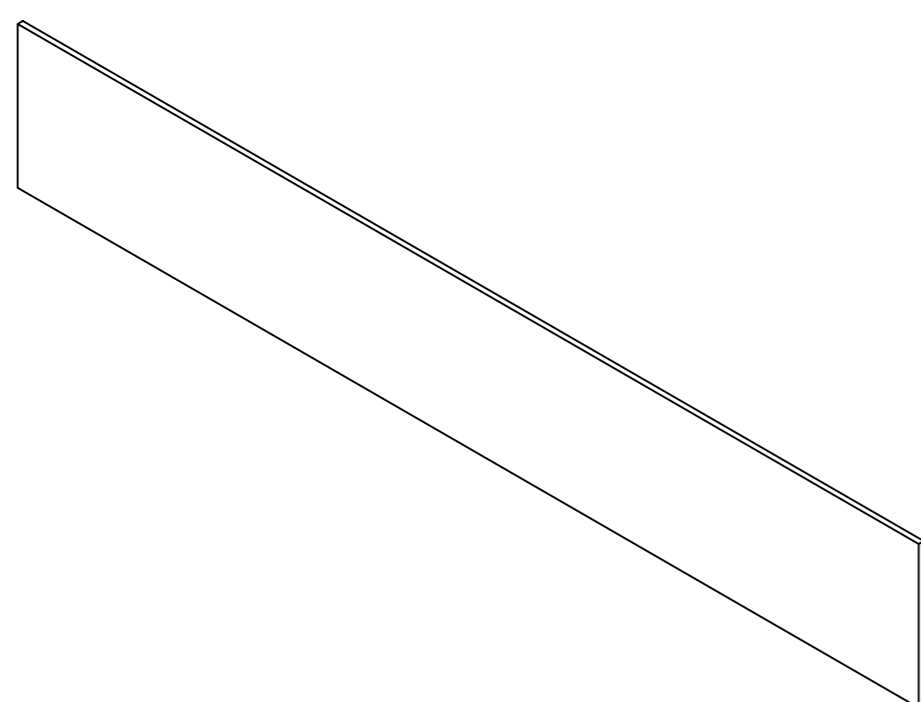
29x1



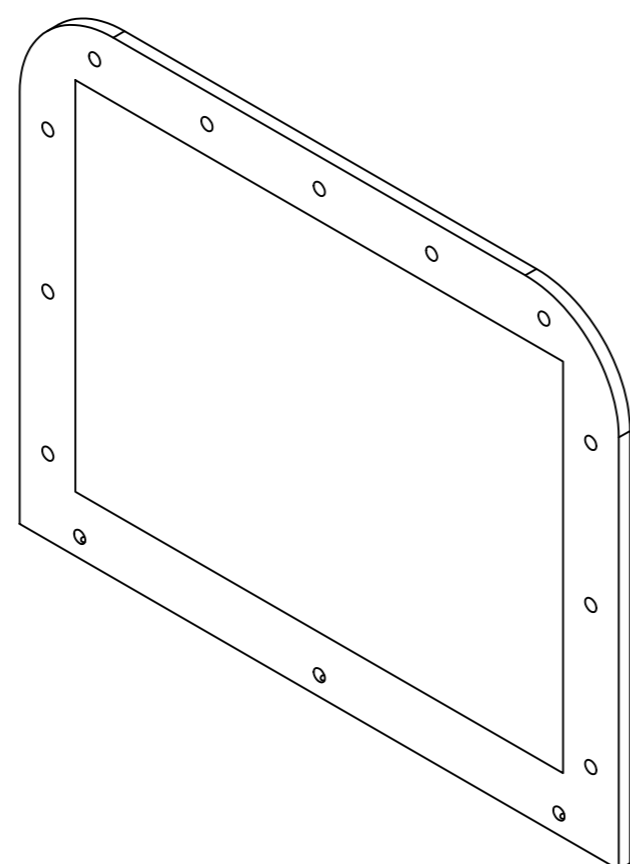
30x1



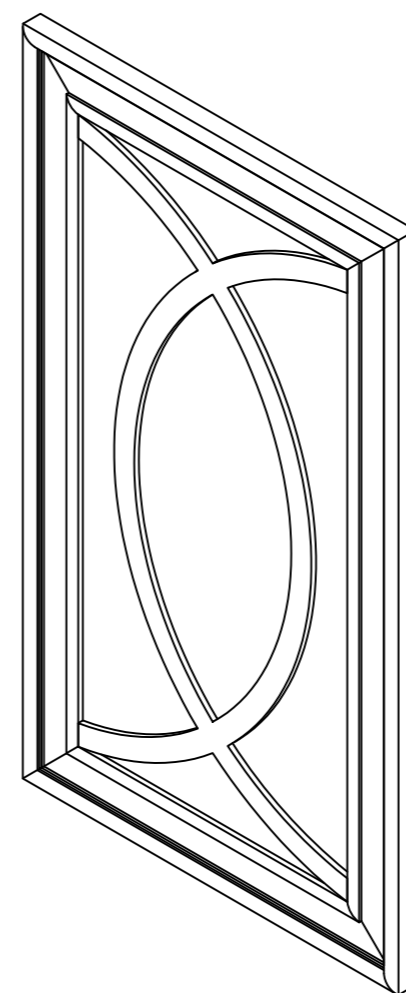
31x1



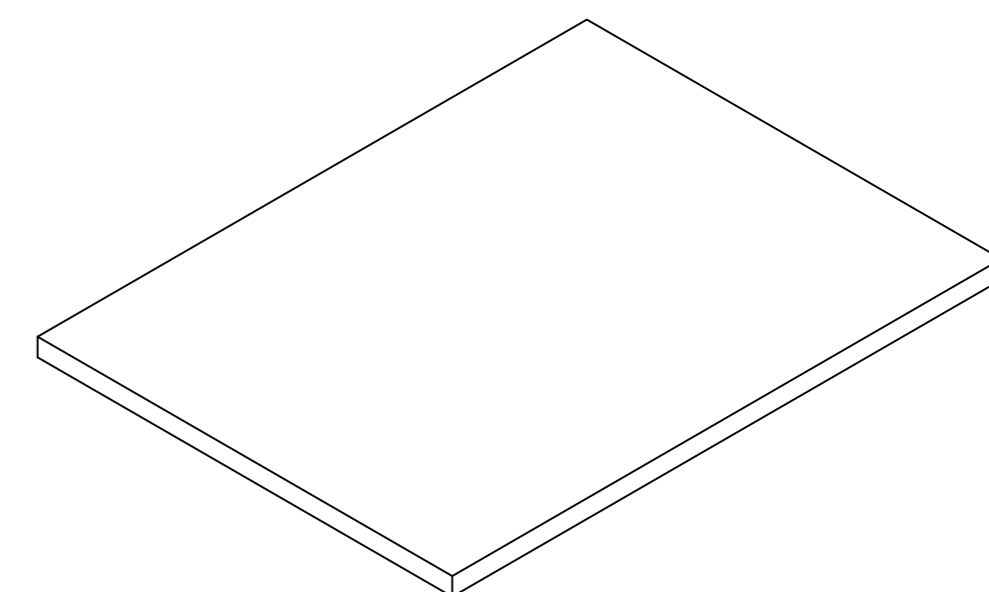
32x1



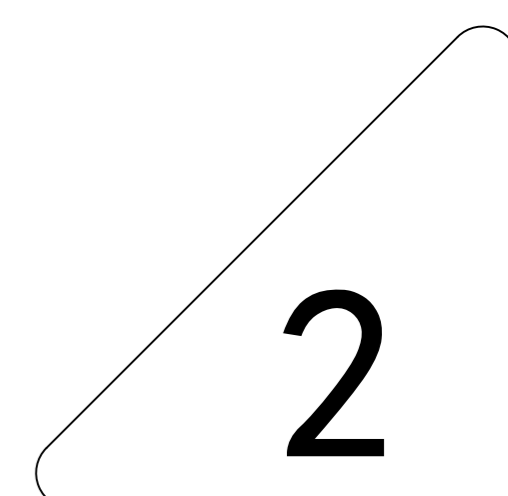
33x1



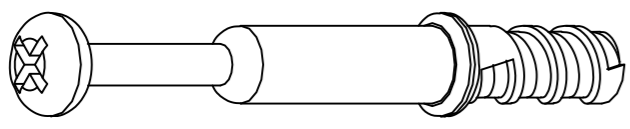


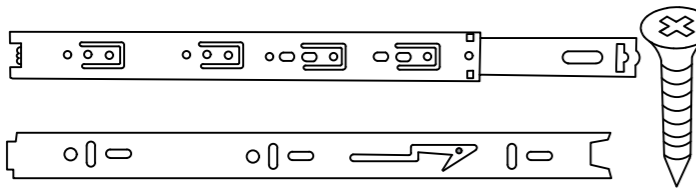

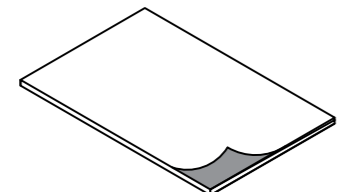
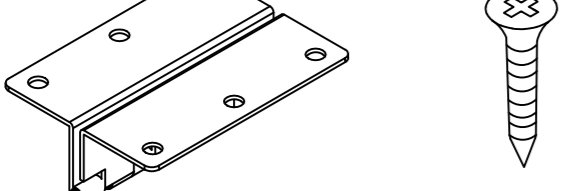
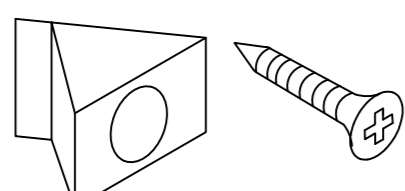
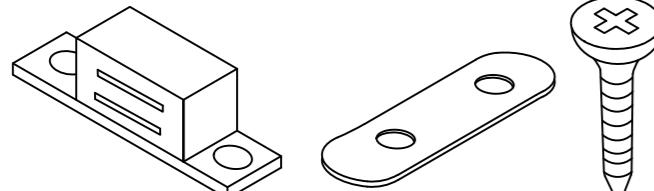
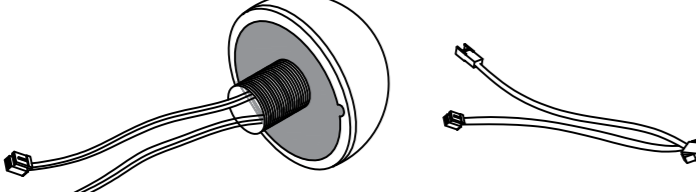
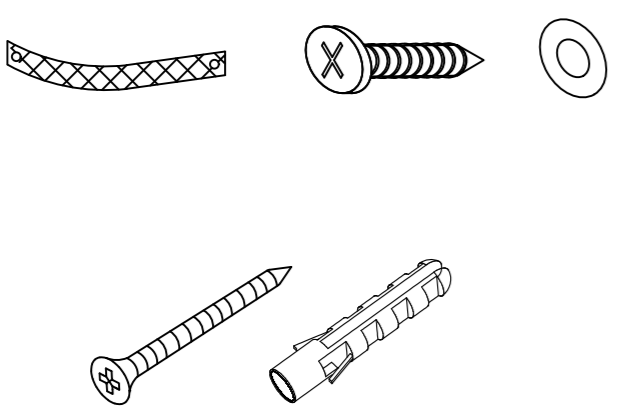
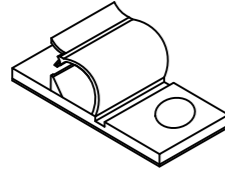
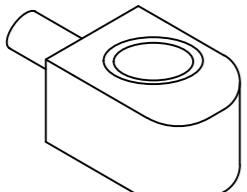
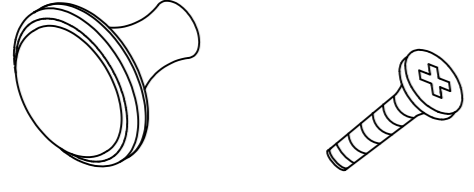
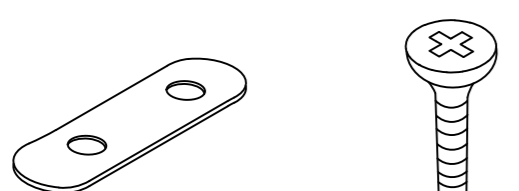
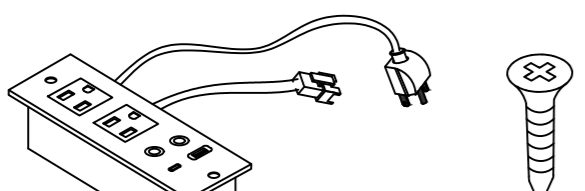
34x1

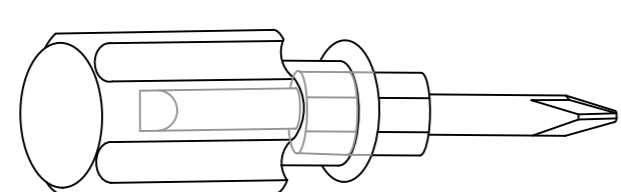


35x1

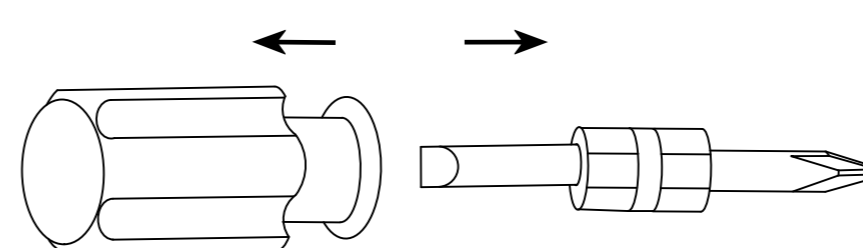


Accessories list

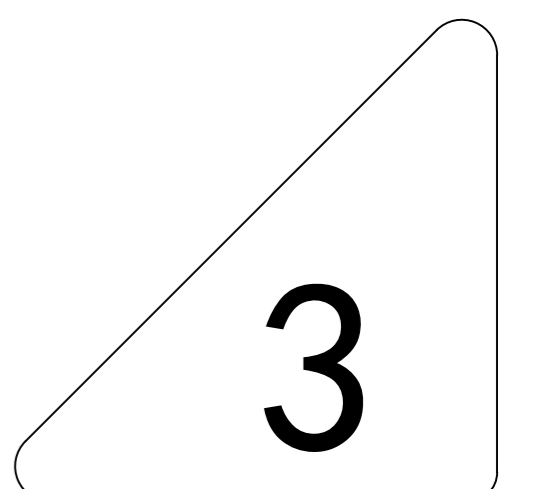
A		Two In One Screw (6x28mm)	110pcs +6pcs
B		Two In One Nut (10x12mm)	110pcs +6pcs
C		Wood Chipping (6x30mm)	14pcs +2pcs
D		Screw & Guide(29cm) (3x12mm)	4pcs / 24pcs +2pcs
E		Handle & Screw (4x8mm)	2pcs / 4pcs +1pcs
F		Non-slip pads	6pcs +2pcs
G		Hinge & Screw (3.5x12mm)	2pcs / 12pcs +2pcs
H		Fixing clip & screw (3x16mm)	4pcs +2pcs
I		Door Magnet & Scre & wlrn Sheet (3x10mm)	1pcs / 1pcs / 4pcs +2pcs
J		Double end connecting line & Lamp	11pcs / 1pcs
K		Anti-tipping tape Screw (3.5x12mm) Gasket	1pcs / 1pcs / 1pcs
		Countersunk head tapping Screw (4x45mm)	1pcs / 1pcs
L		Wire Clamp	14pcs
M		Laminate support nail	4pcs +2pcs
N		Handle & Screw (4x16mm)	1pcs / 1pcs +1pcs
O		Screw (3x10mm)	1pcs / 2pcs +1pcs
P		Power Socket & Screw (3x10mm)	1pcs / 2pcs +1pcs



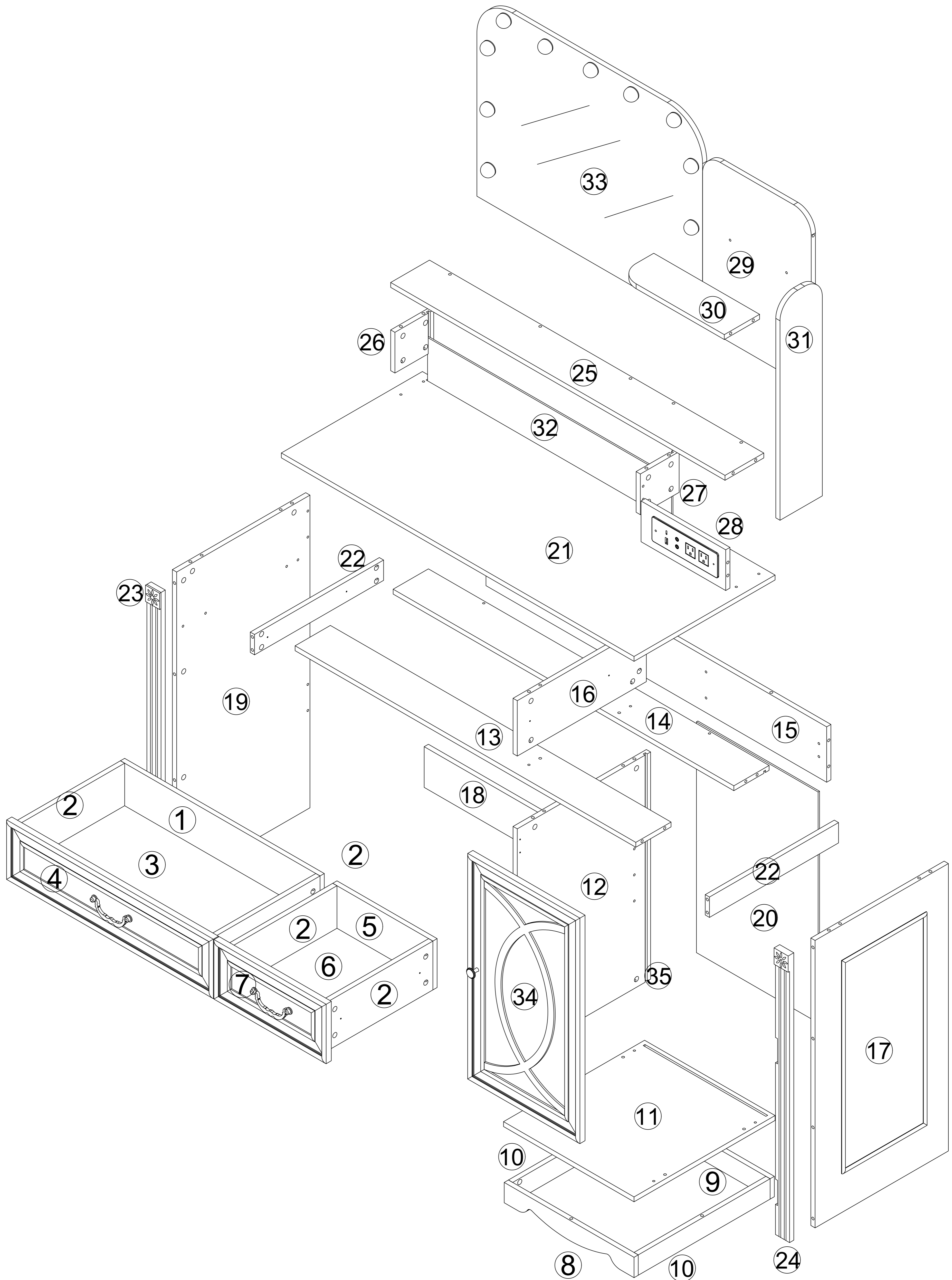
1pcs

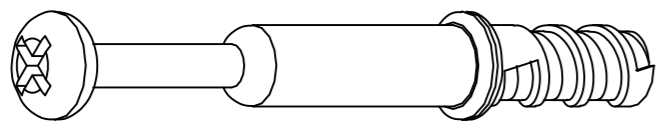
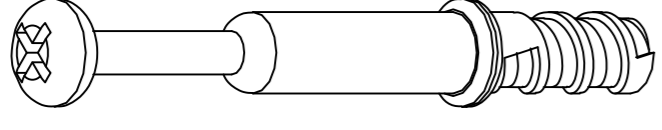
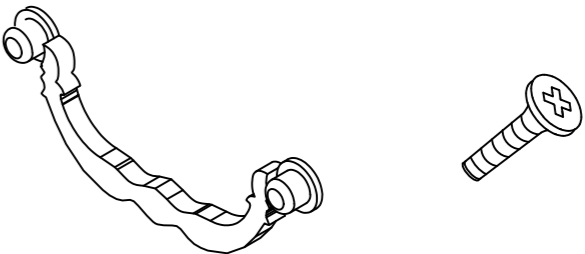
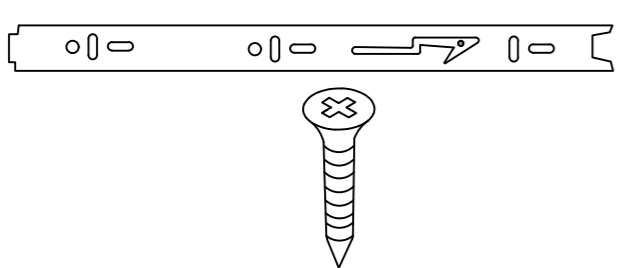
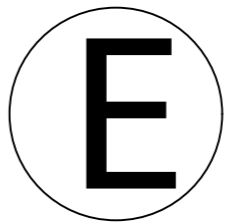
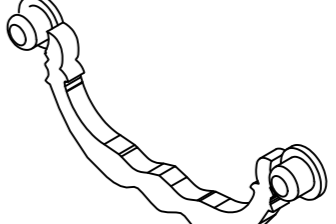

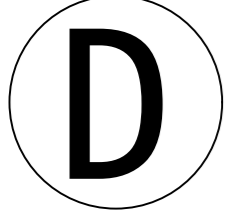
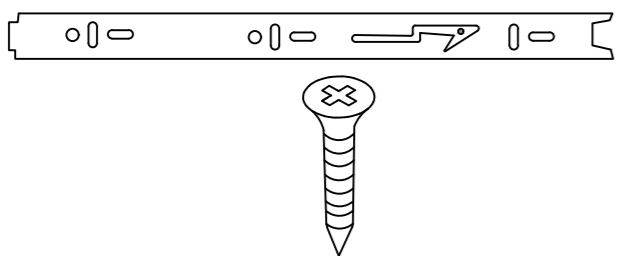


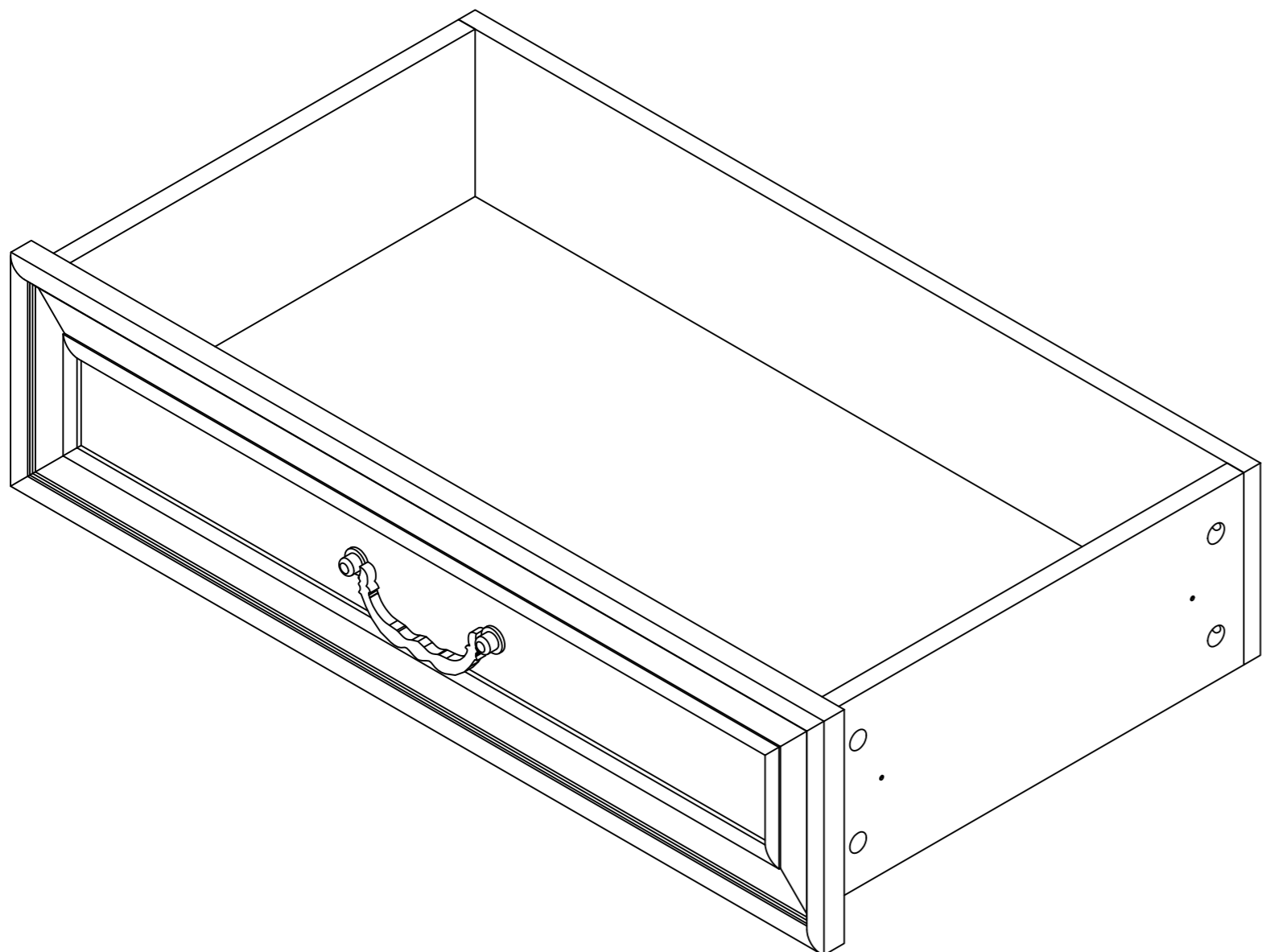
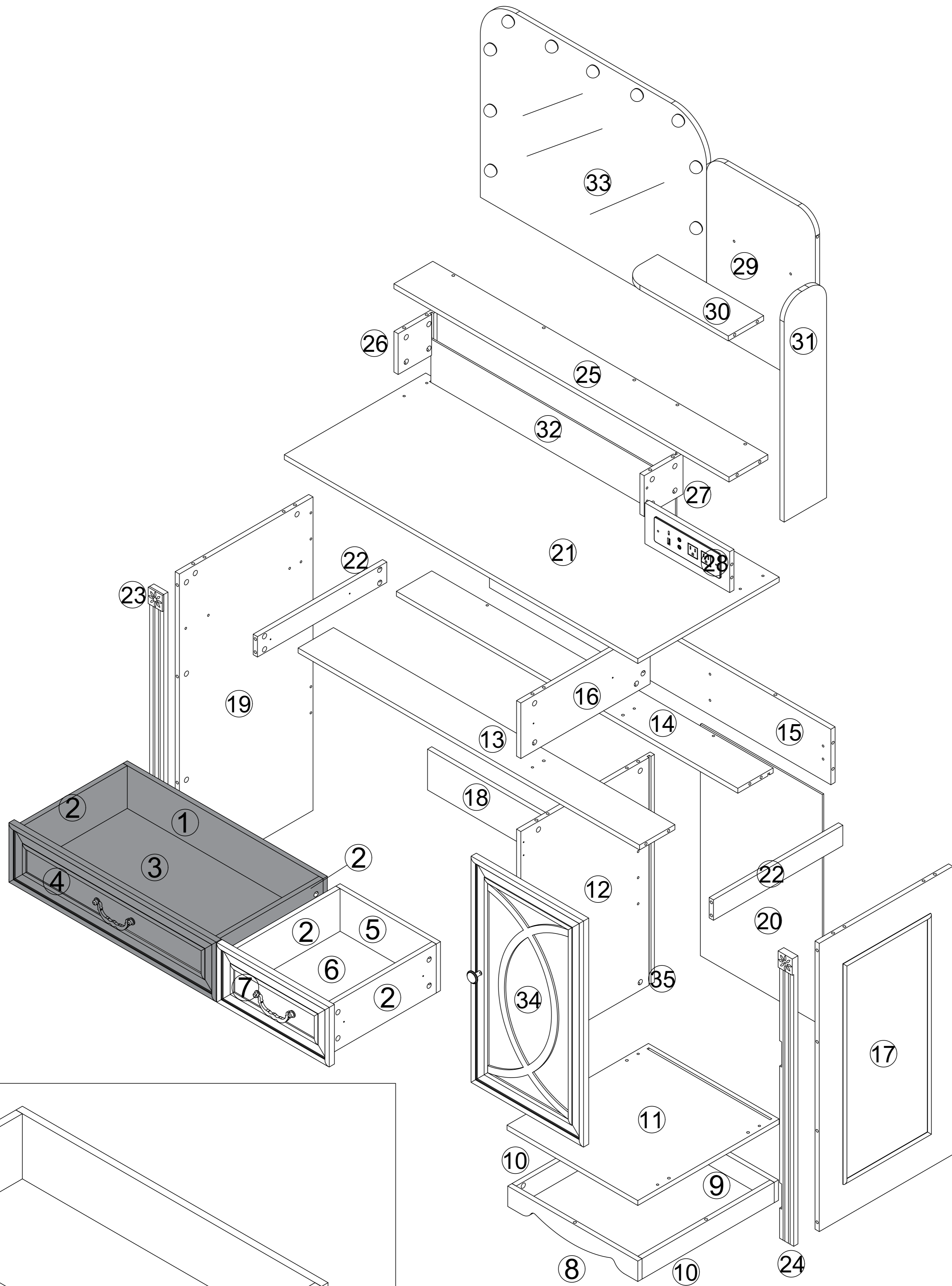
Double-head screwdriver, use as required



Product Explosion diagram

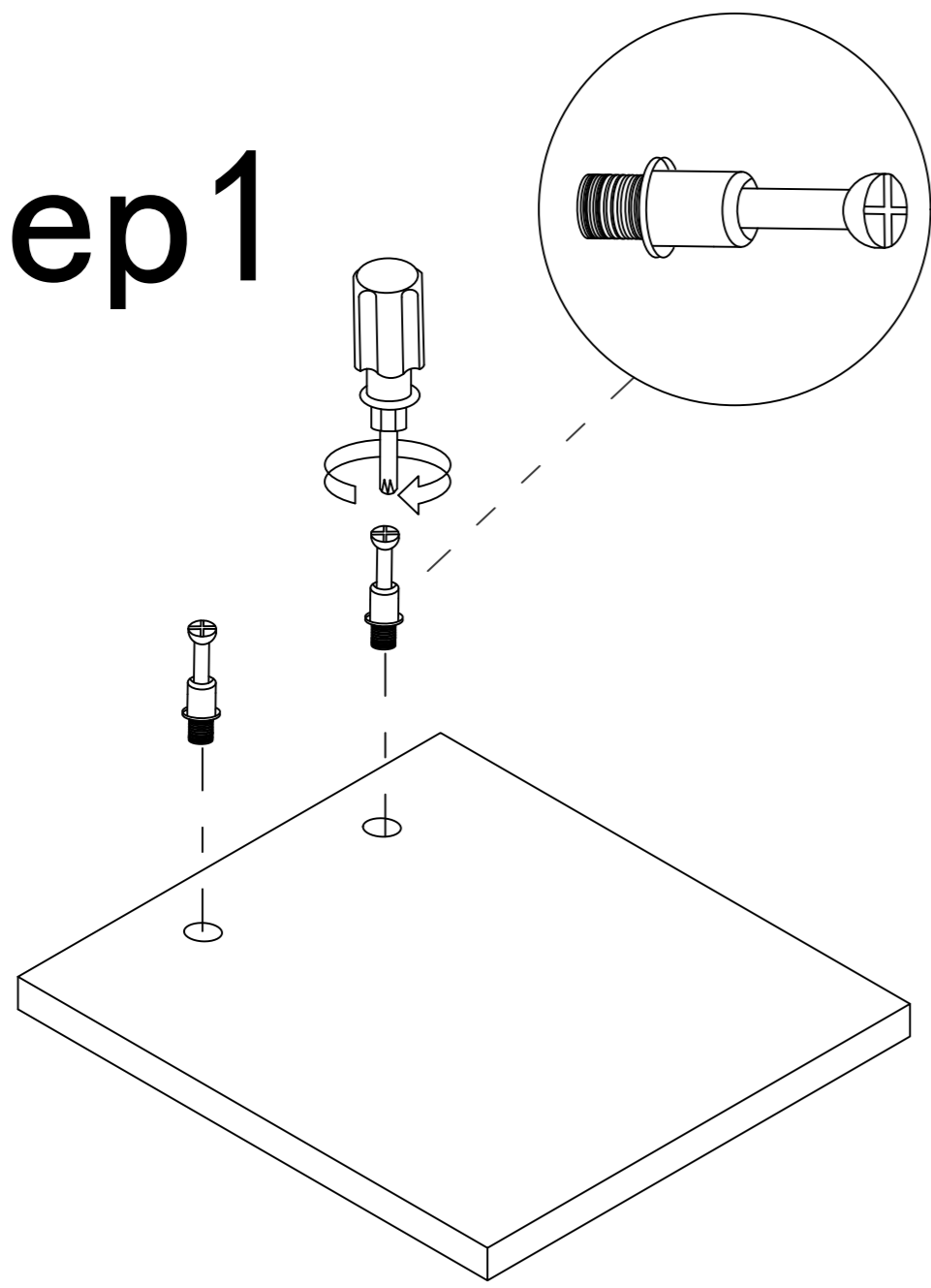


 A		8pcs	 B		8pcs	 E	 	1pcs 2pcs
 D		2pcs 4pcs						

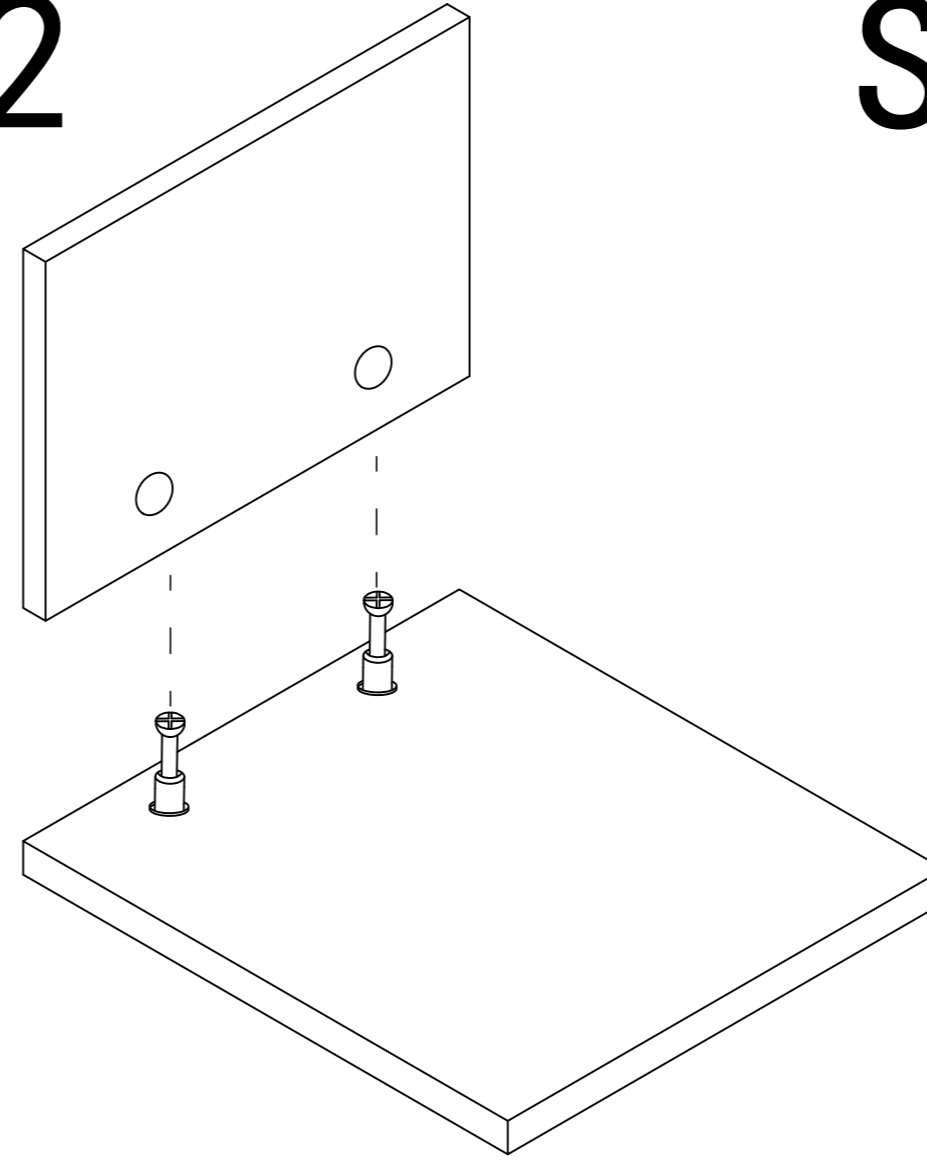


Use parts A and B

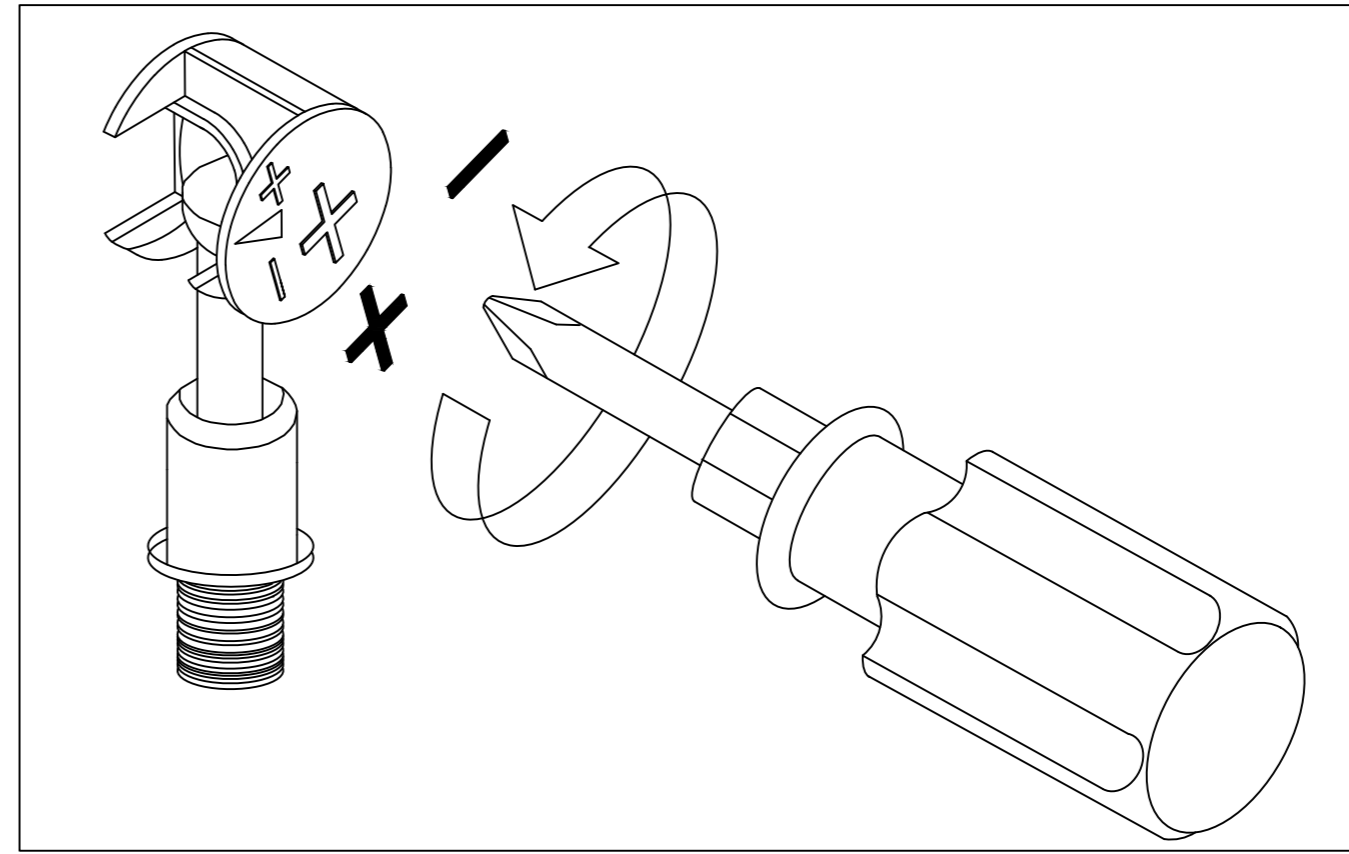
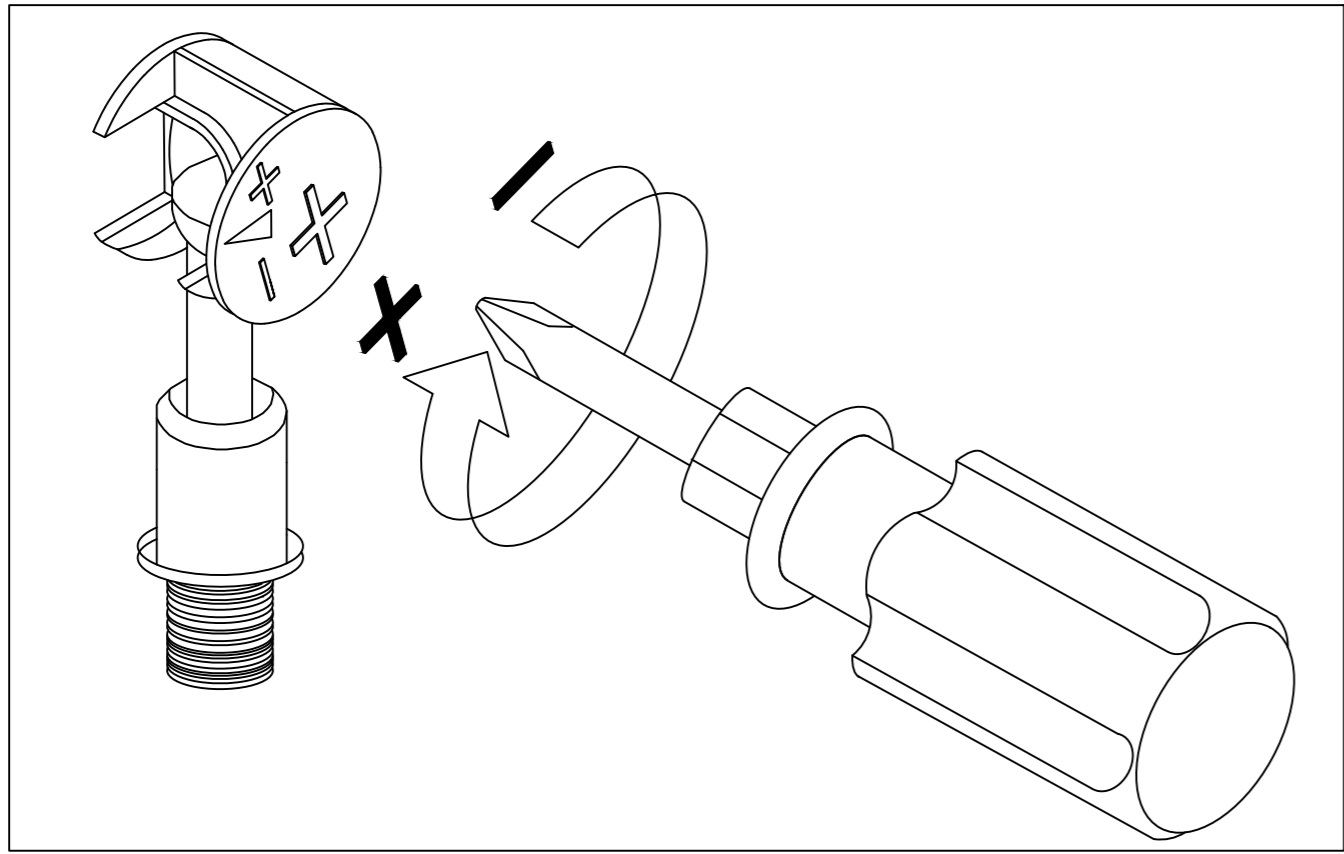
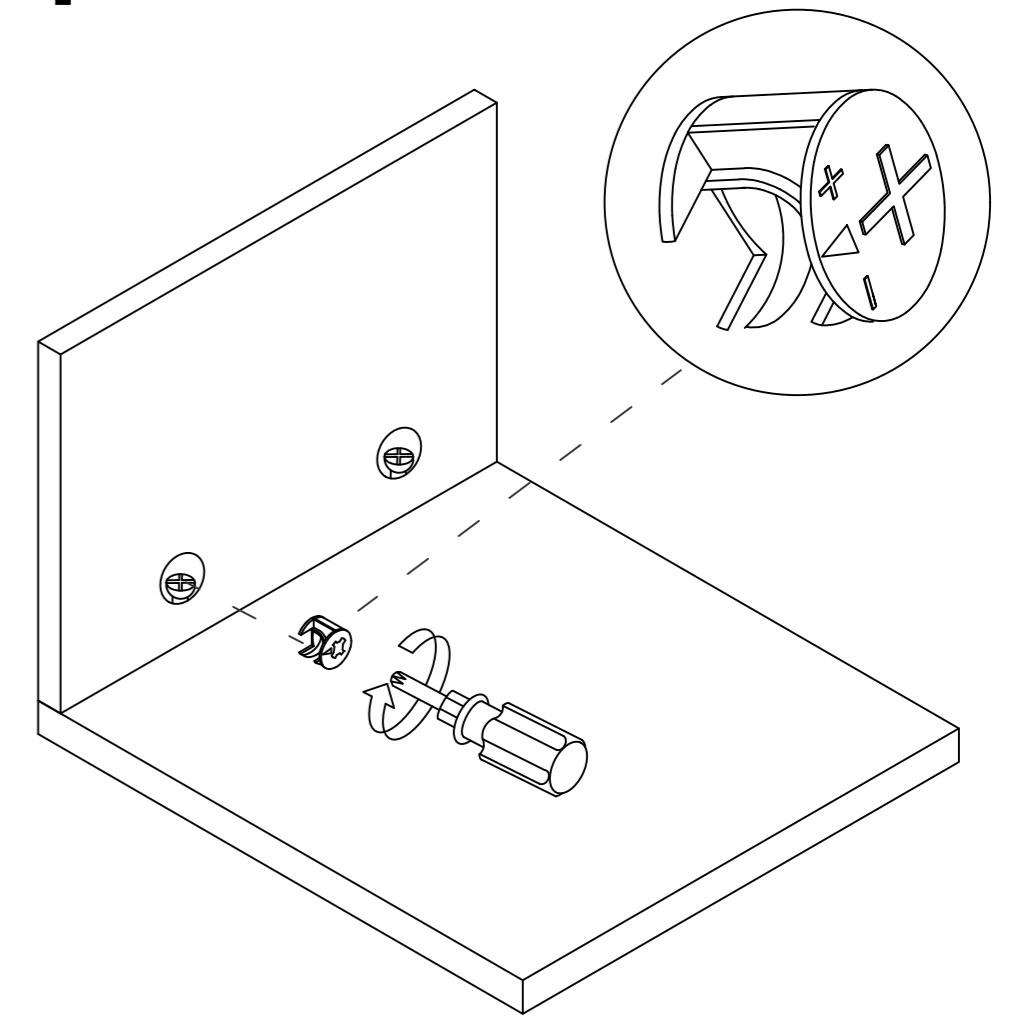
Step 1



Step 2



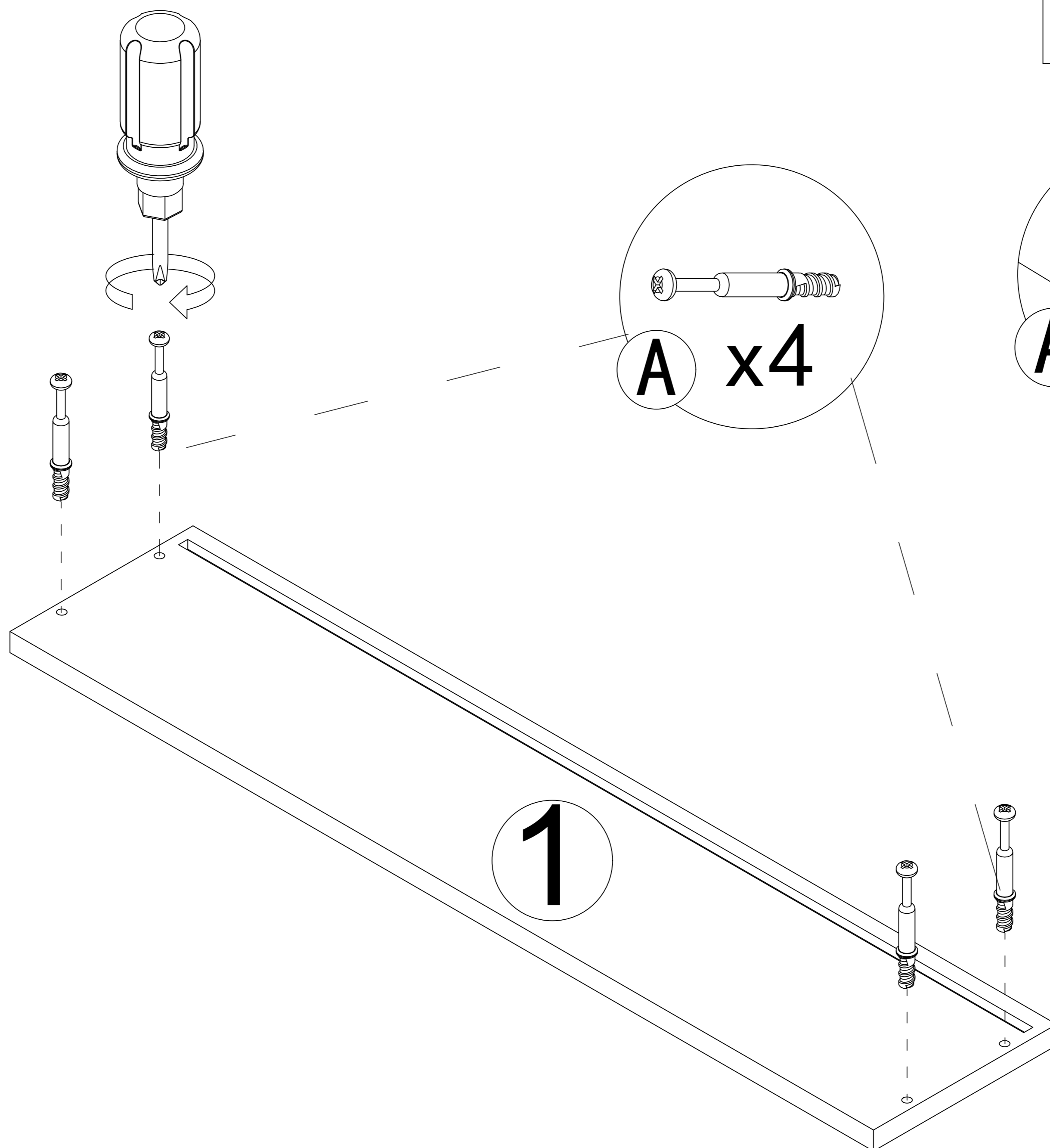
Step 3



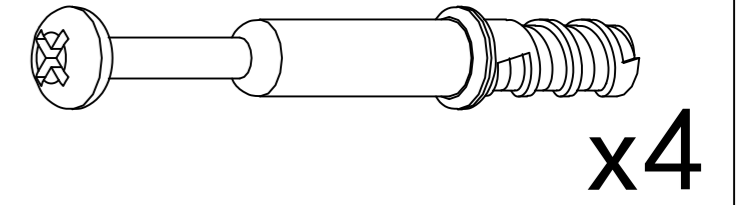
Use a screwdriver to lock in the direction of the "+" sign

Disassemble along the direction of "-" sign

Step 1



A



x4

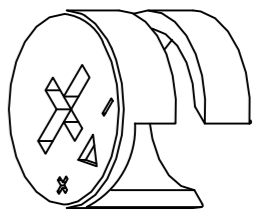
A x4

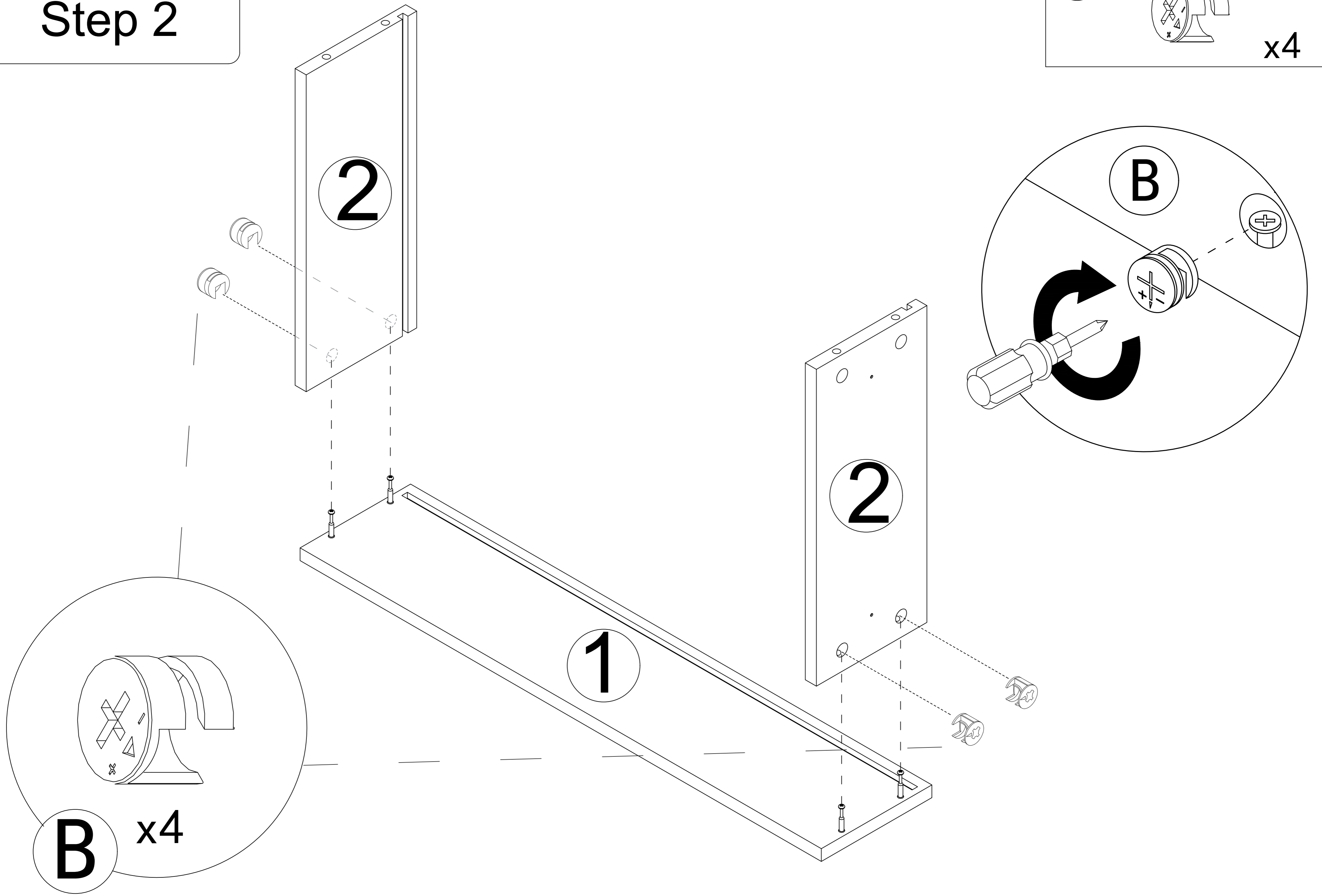
A

1

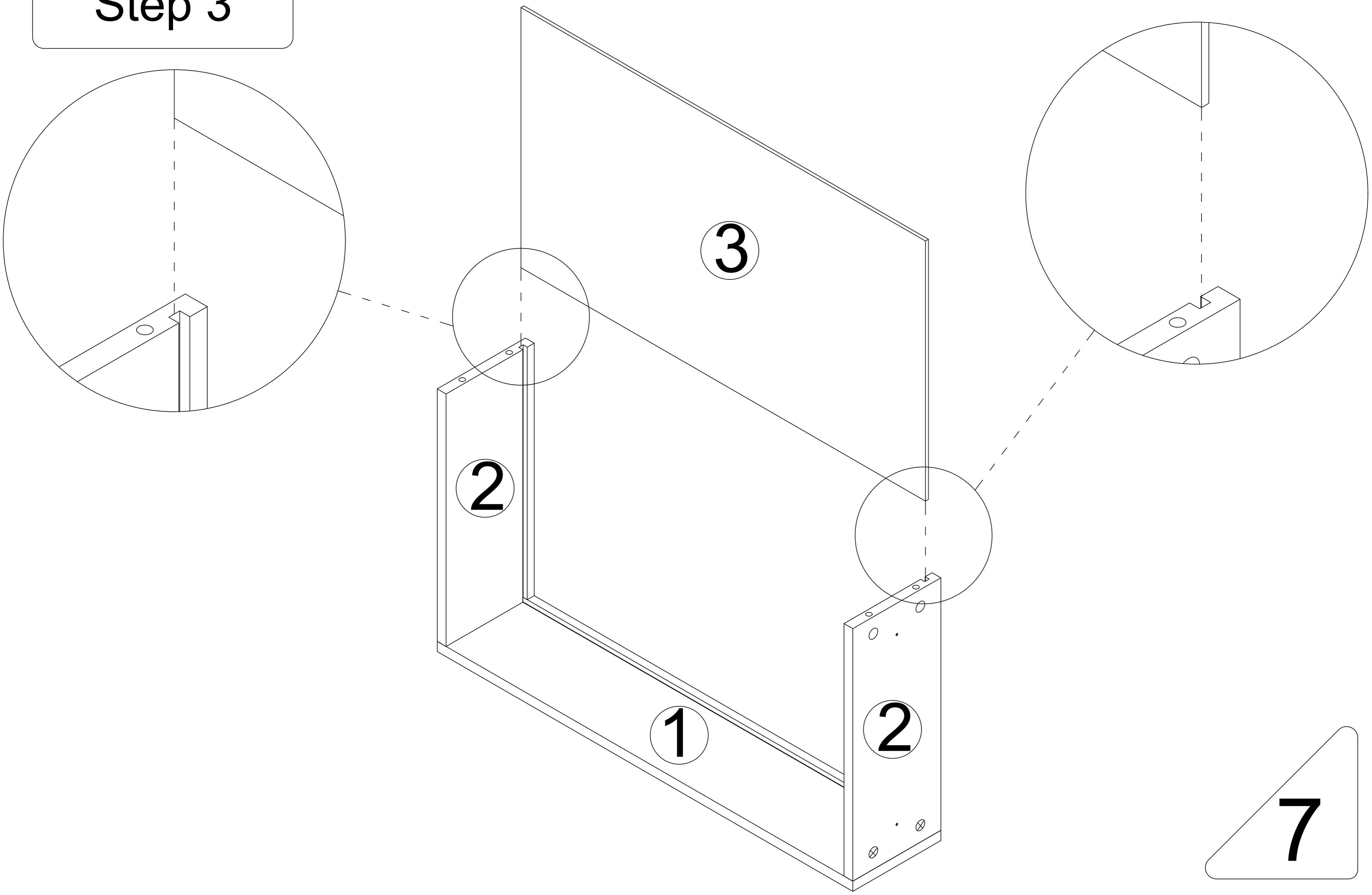
6

Step 2

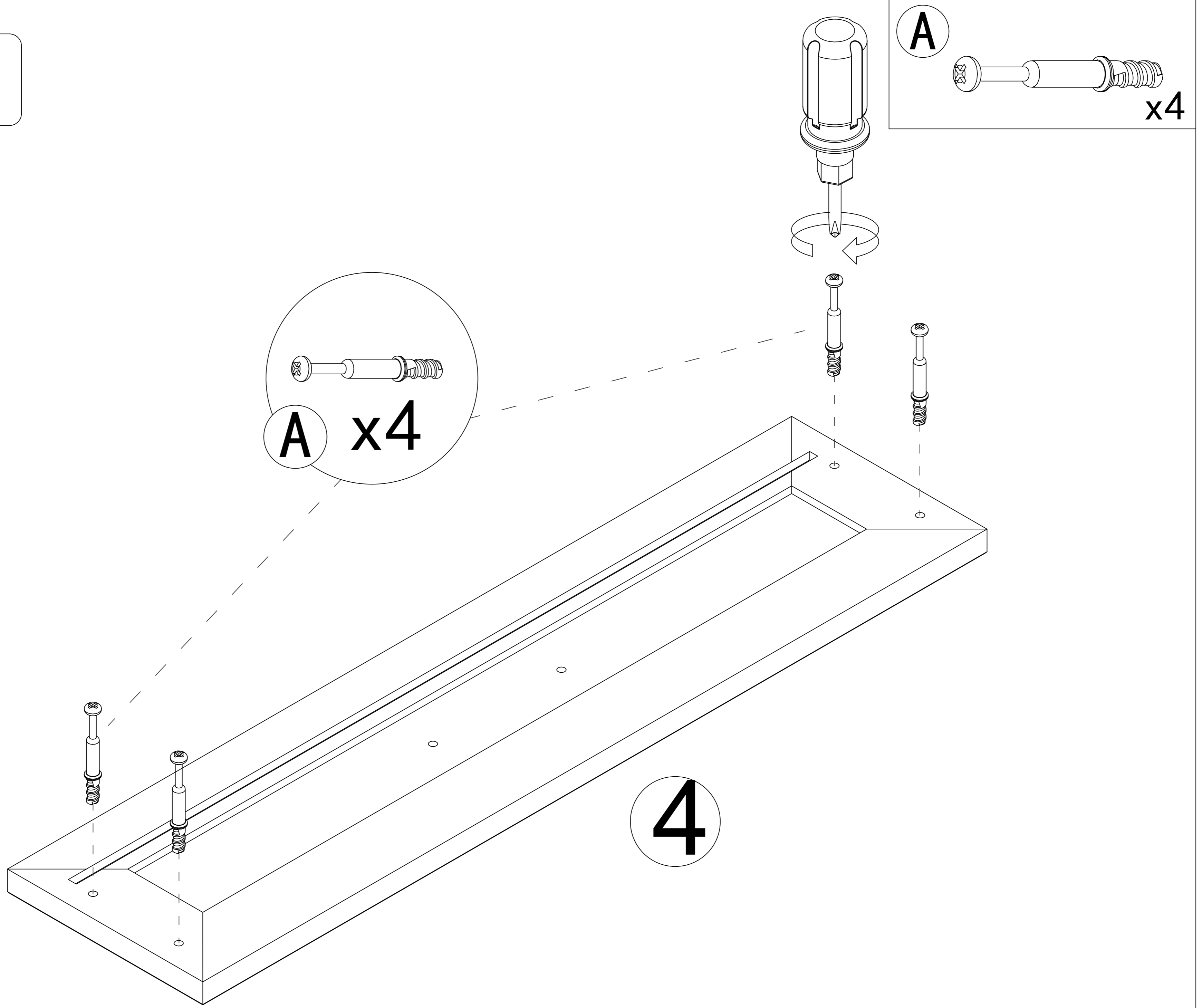
B  x4



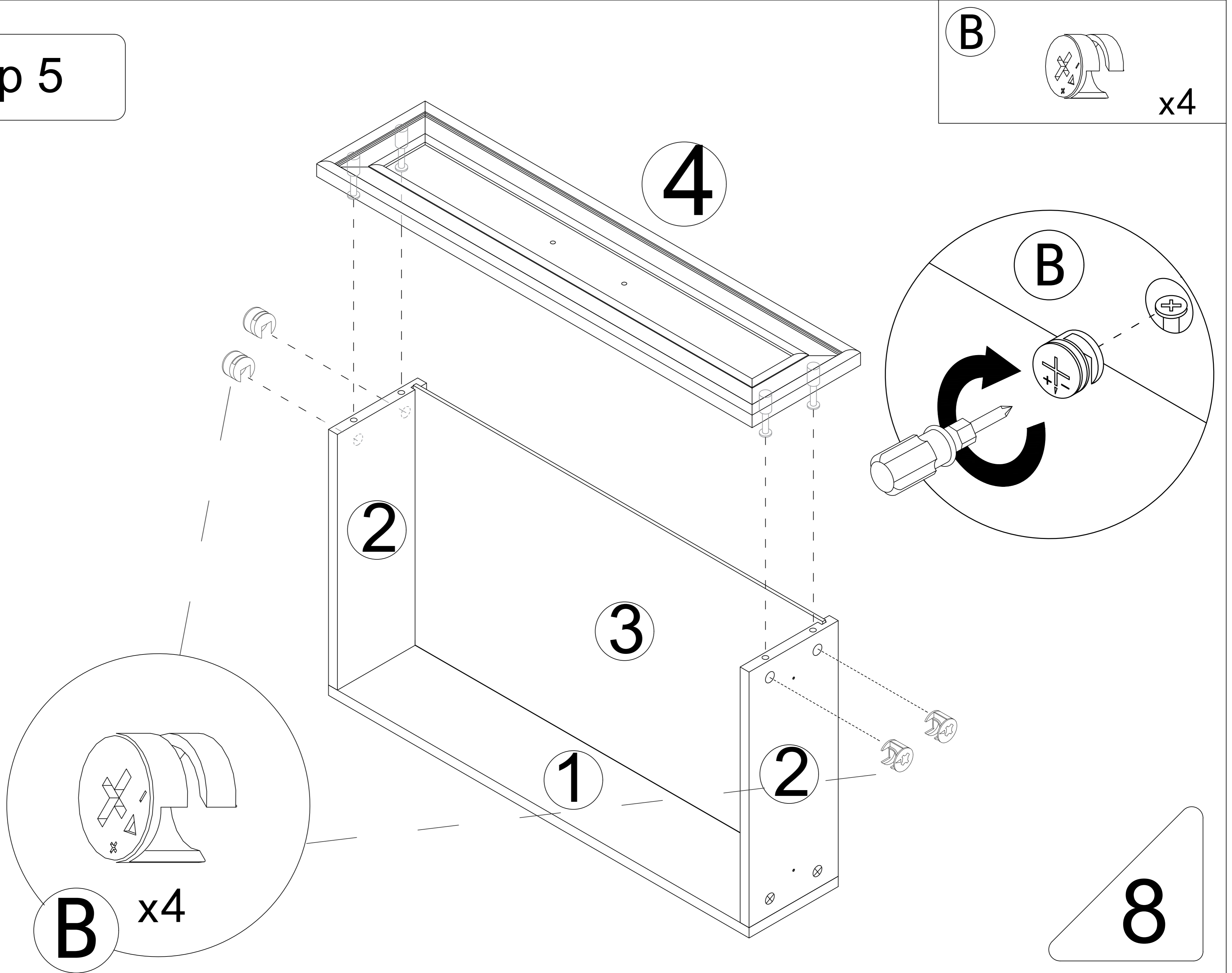
Step 3



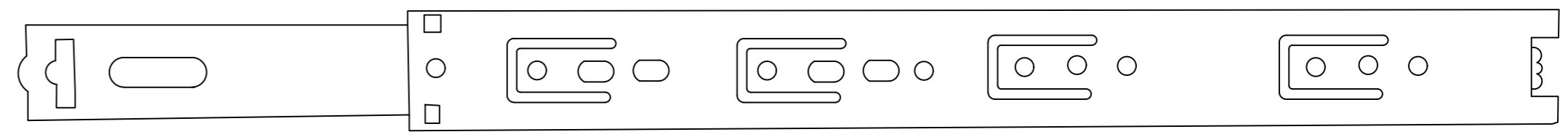
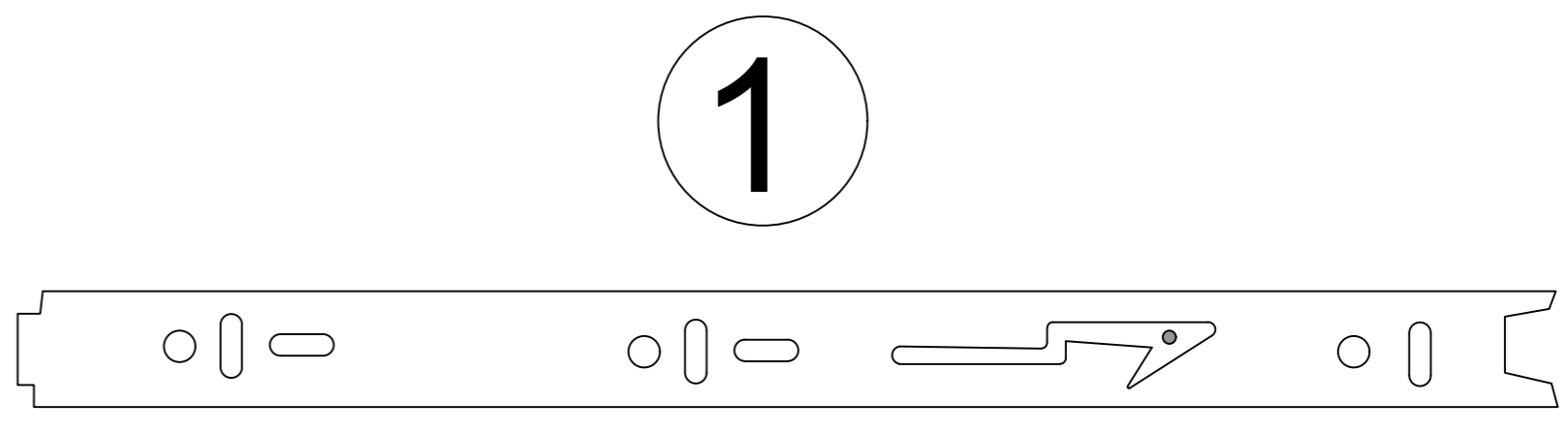
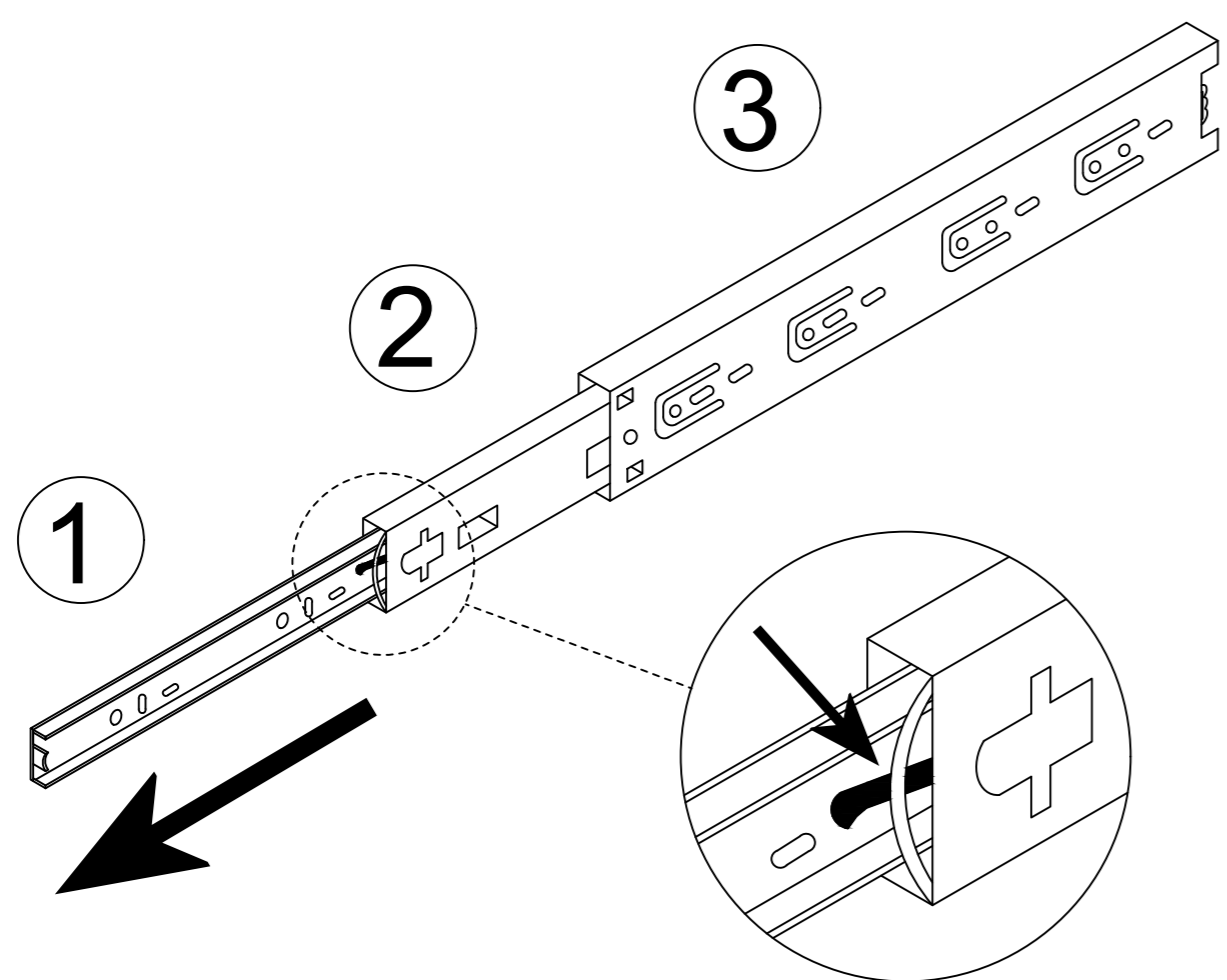
Step 4



Step 5



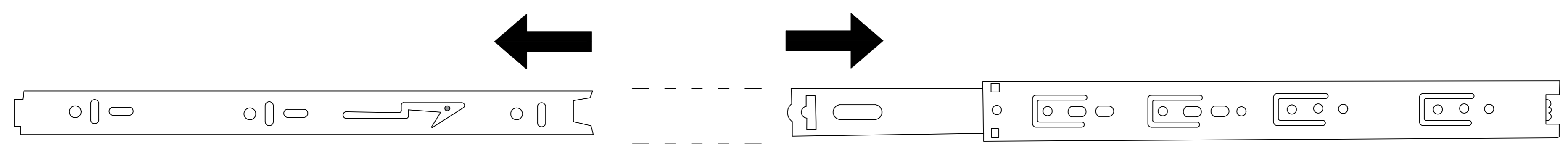
Drawer rail breakdown diagram



Step A : Pull the rails apart
 Step B : Push the nylon buckle outward

2

3

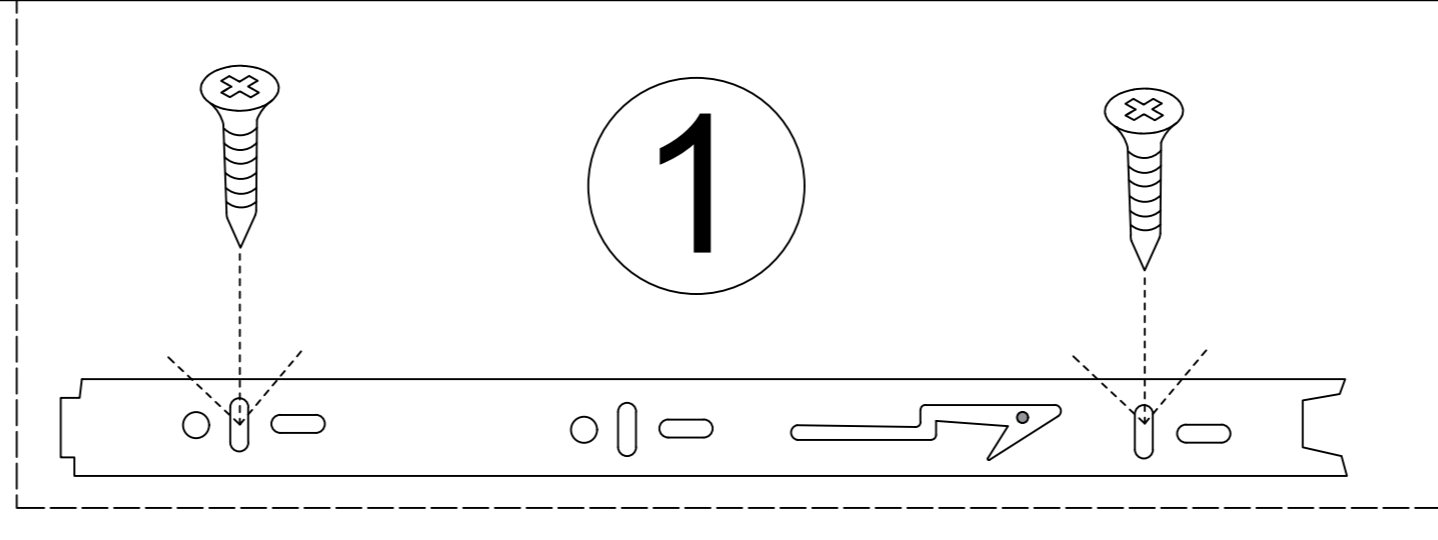


1

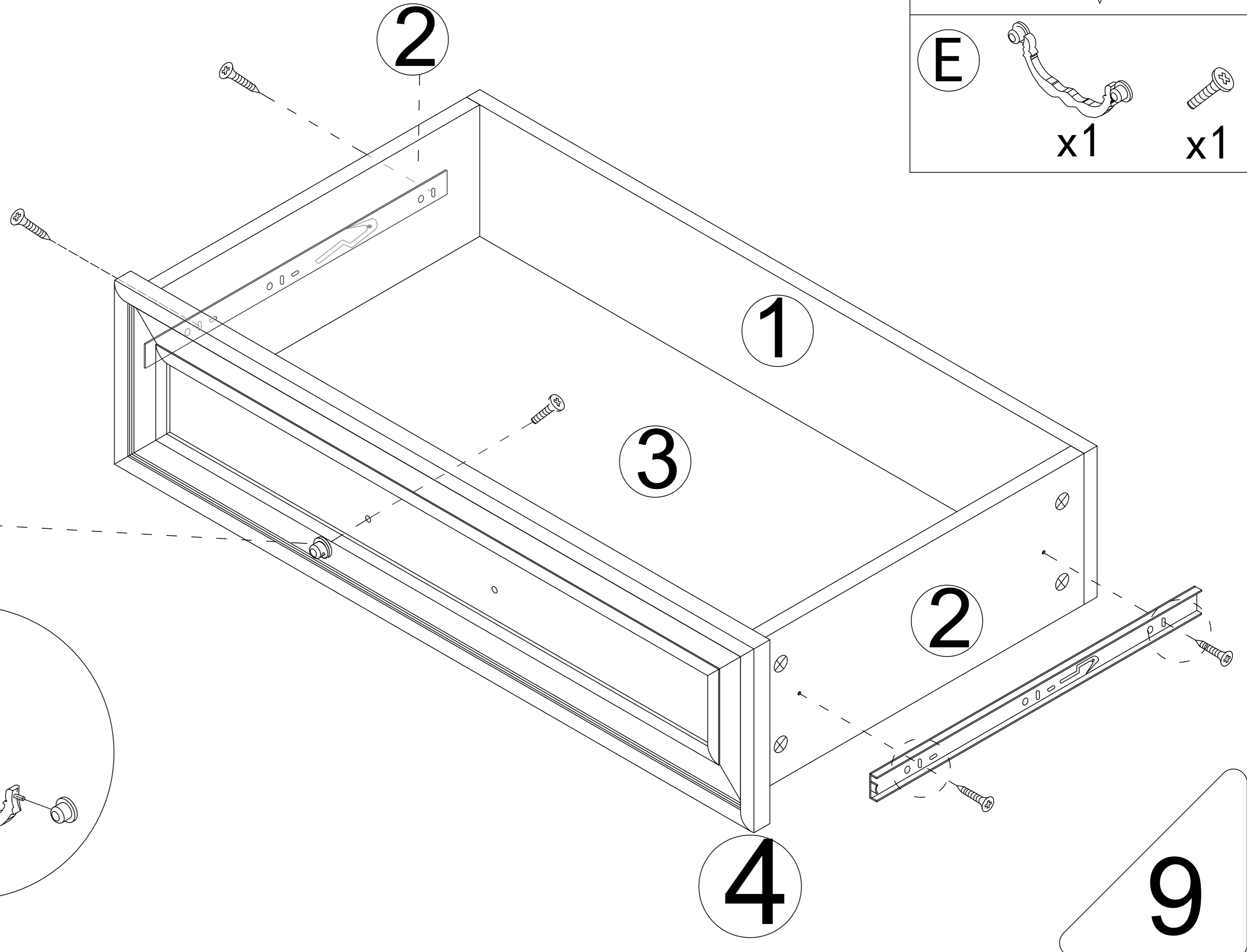
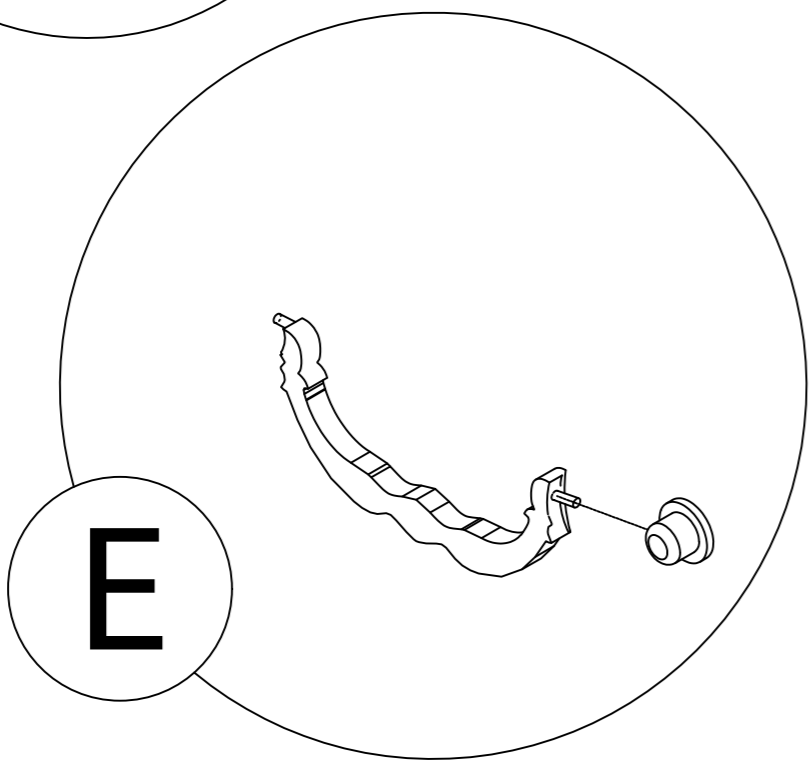
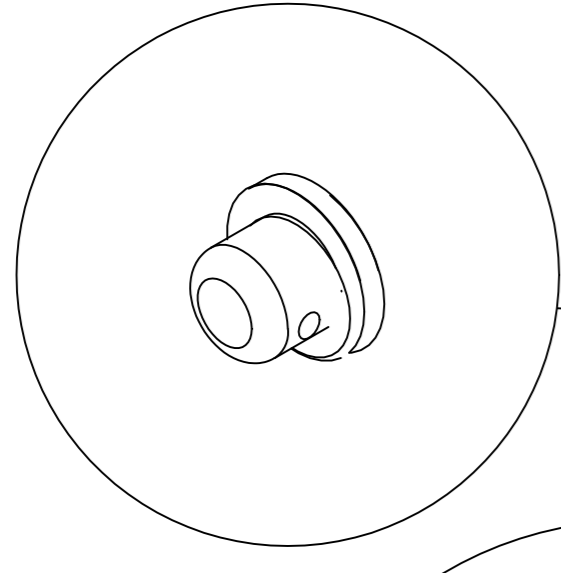
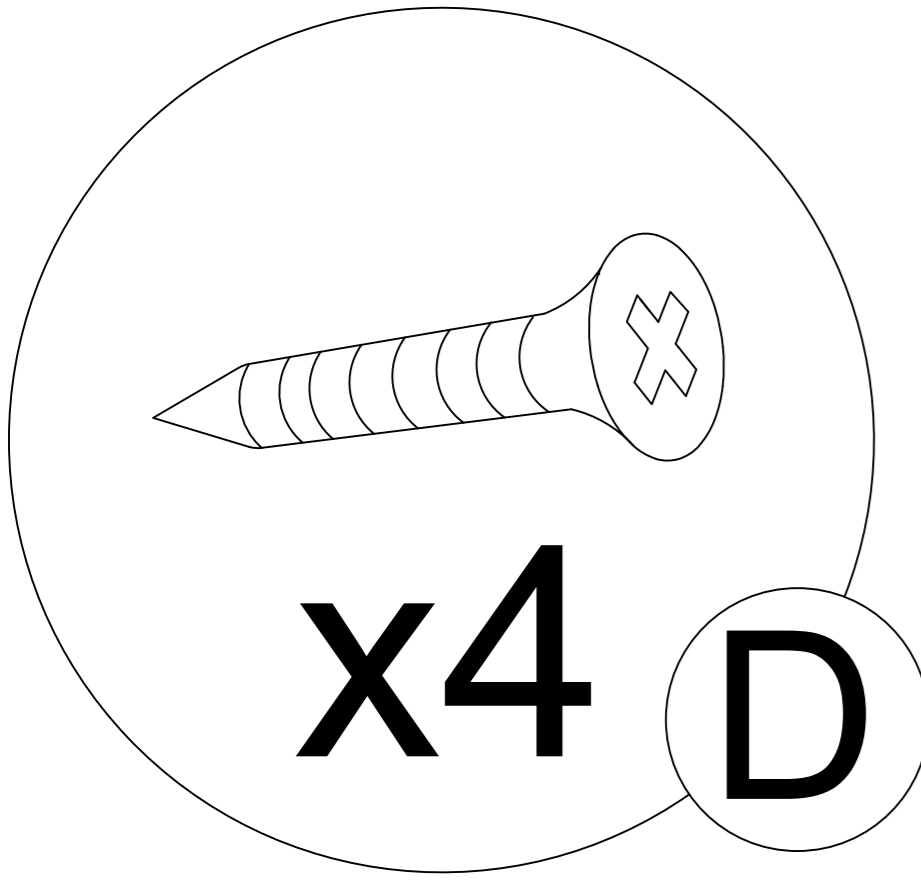
2

3

Step 6

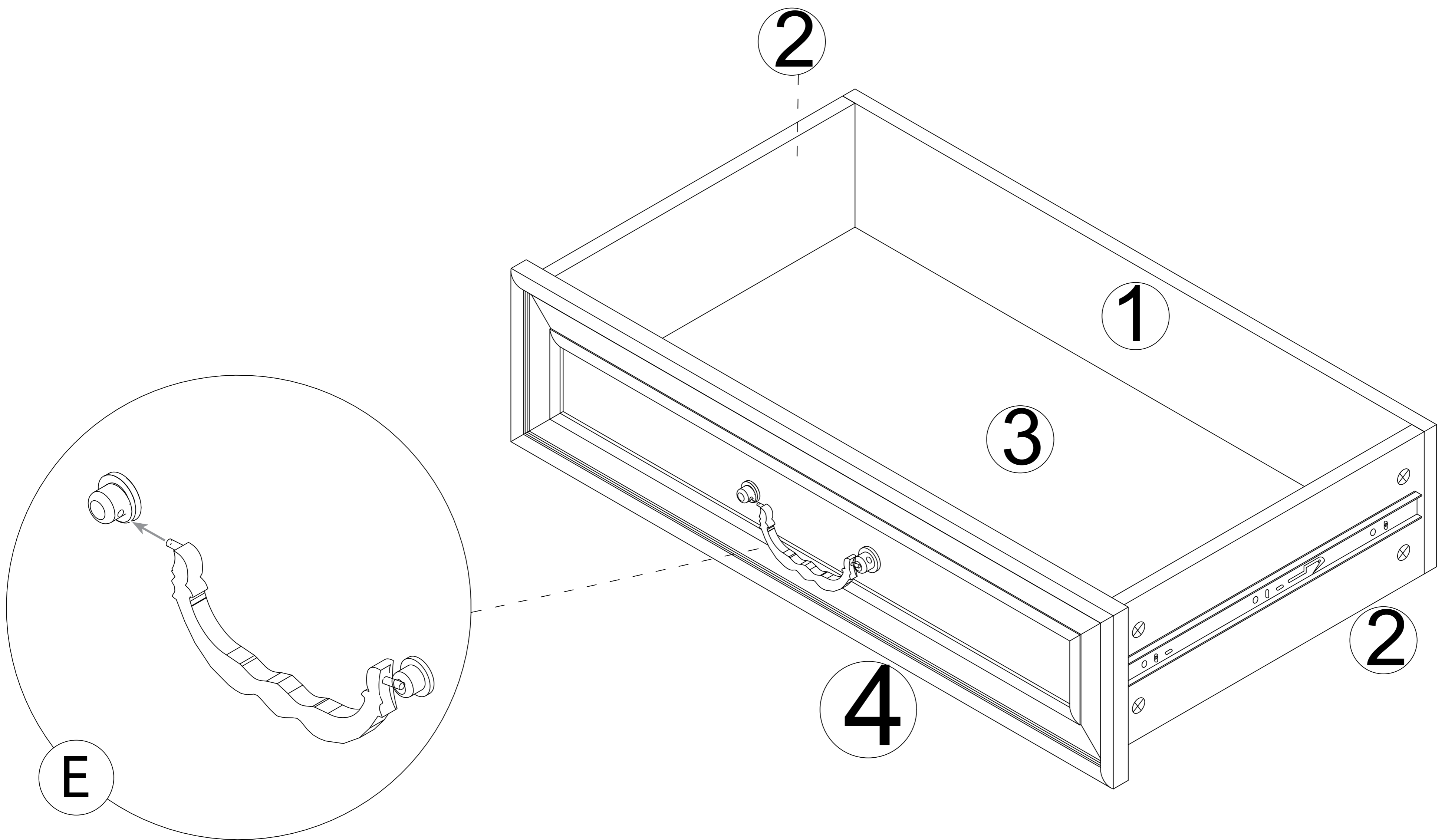


- D** x2
- x4
- E** x1 x1

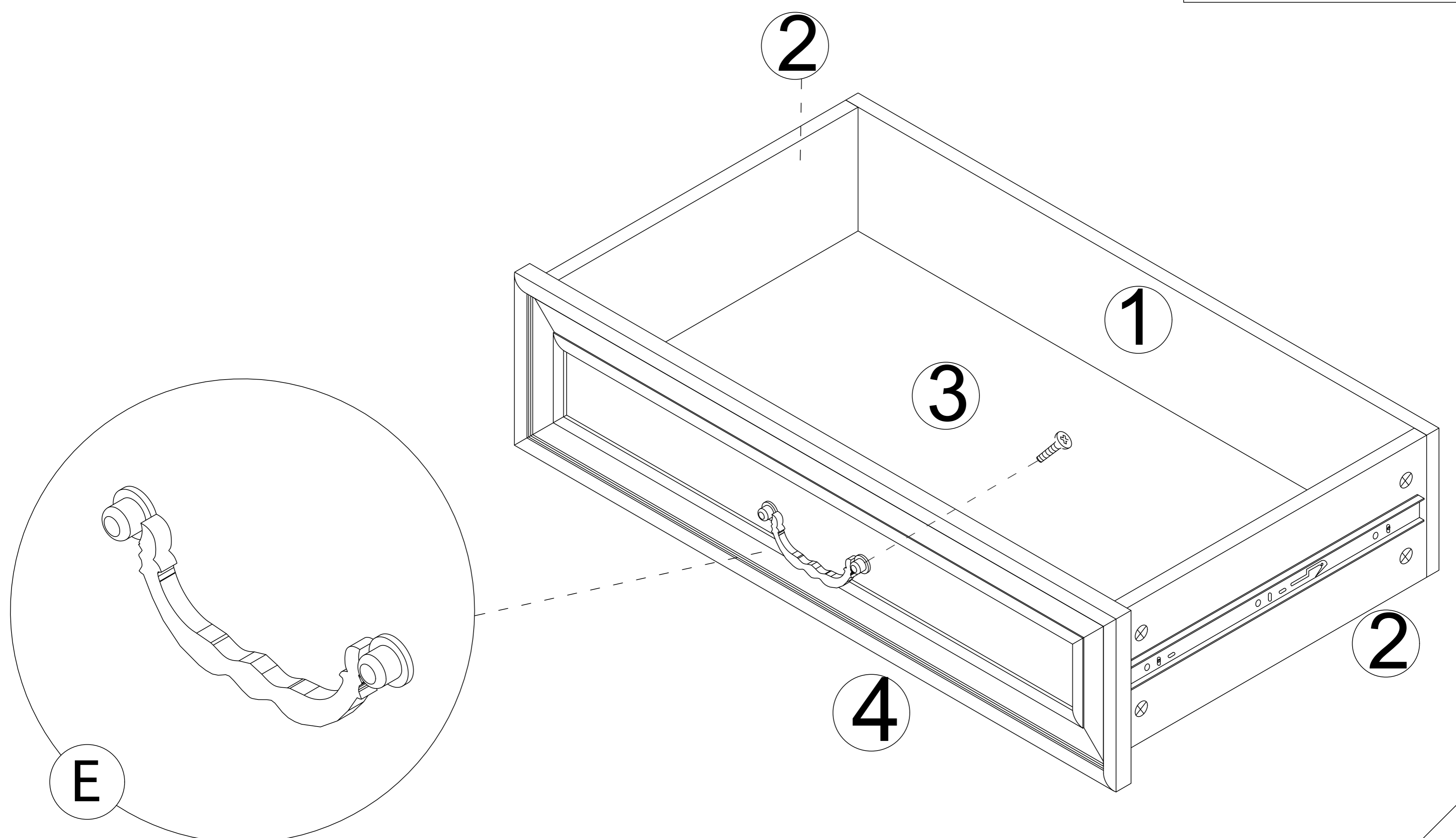
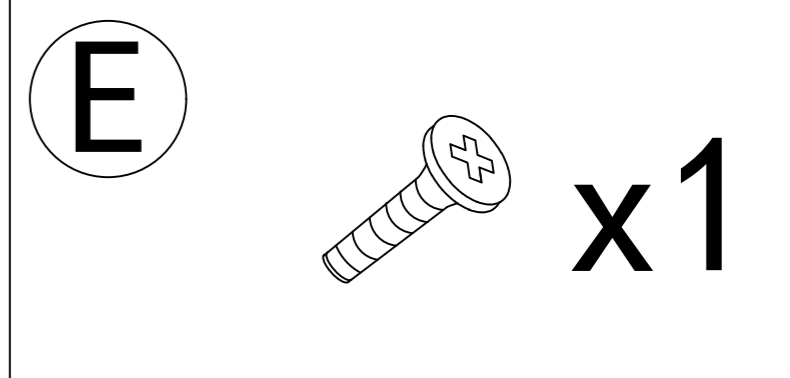


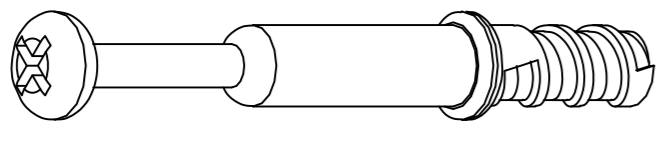
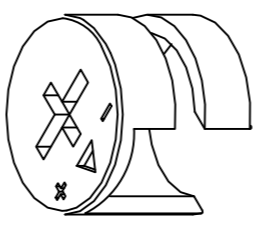
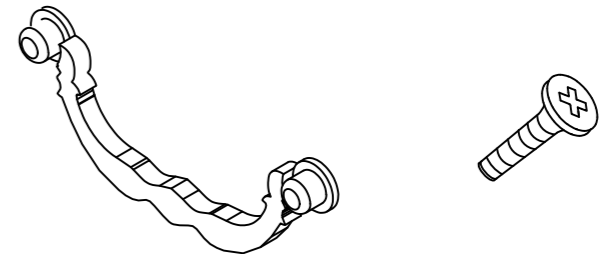
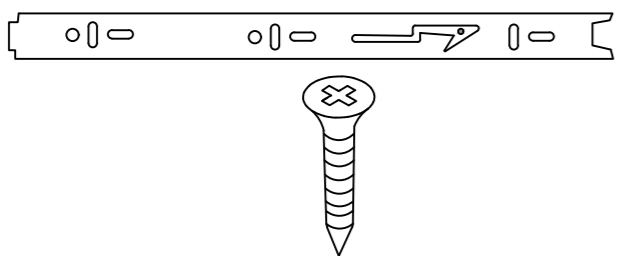
9

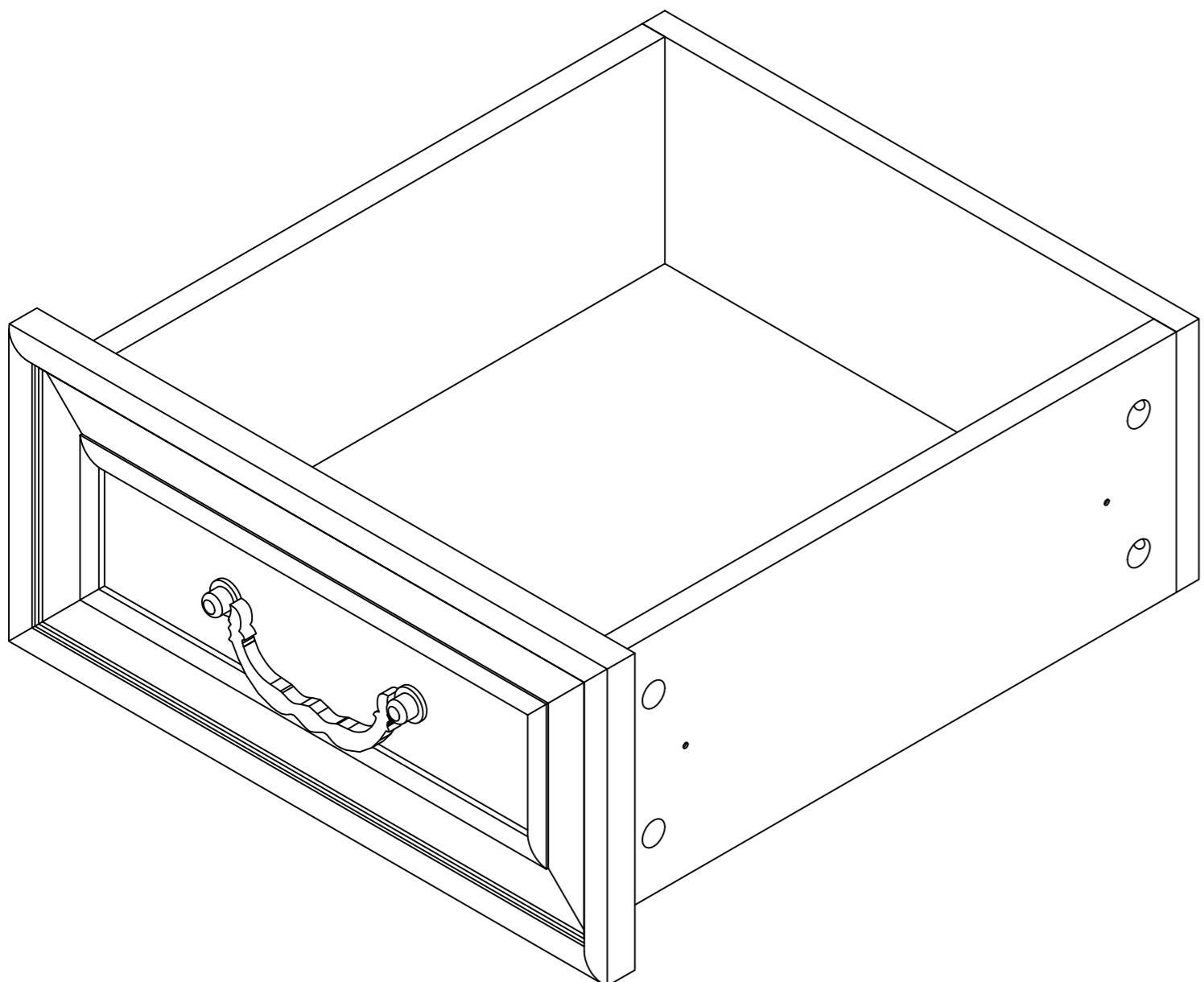
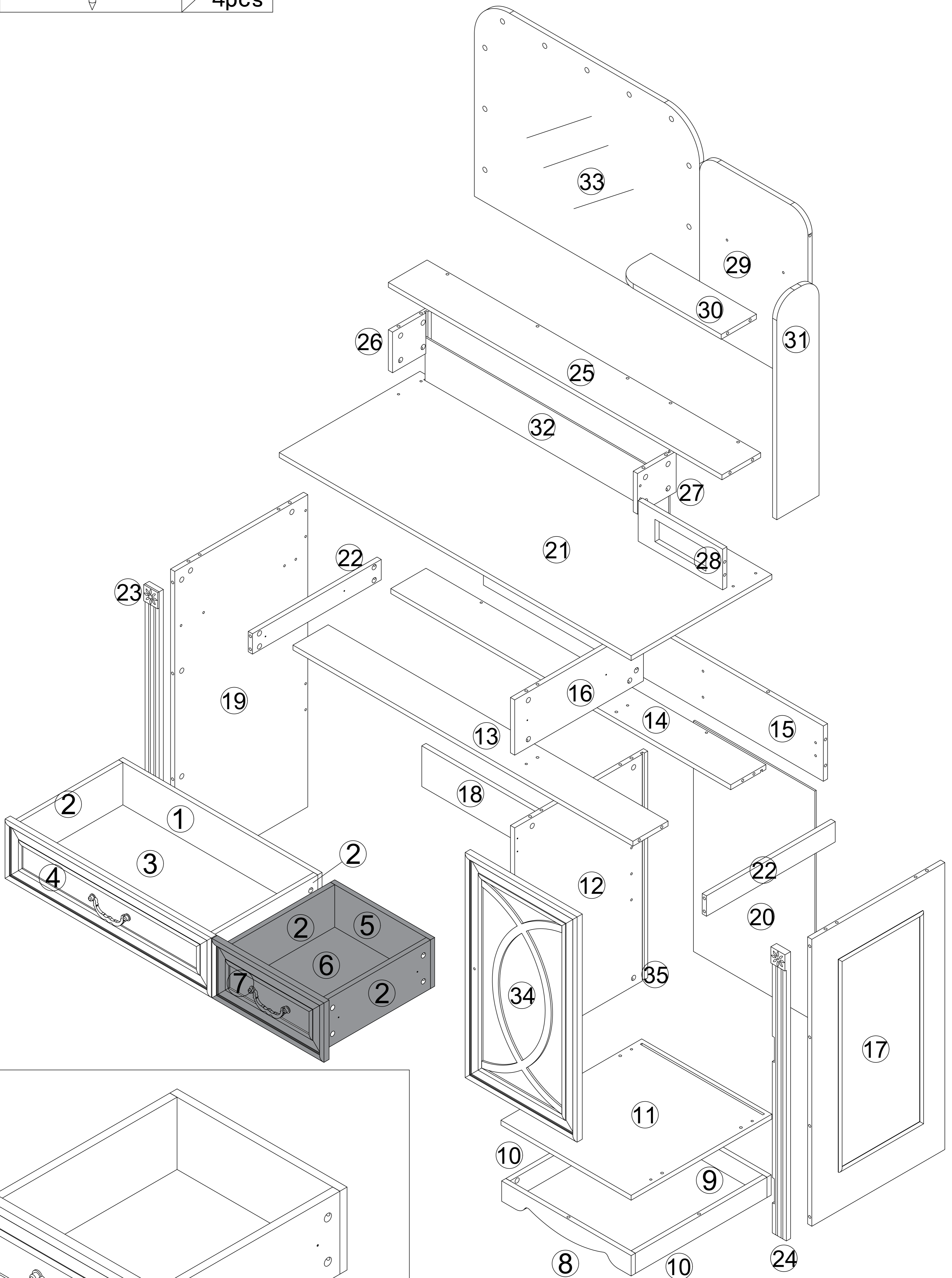
Step 7



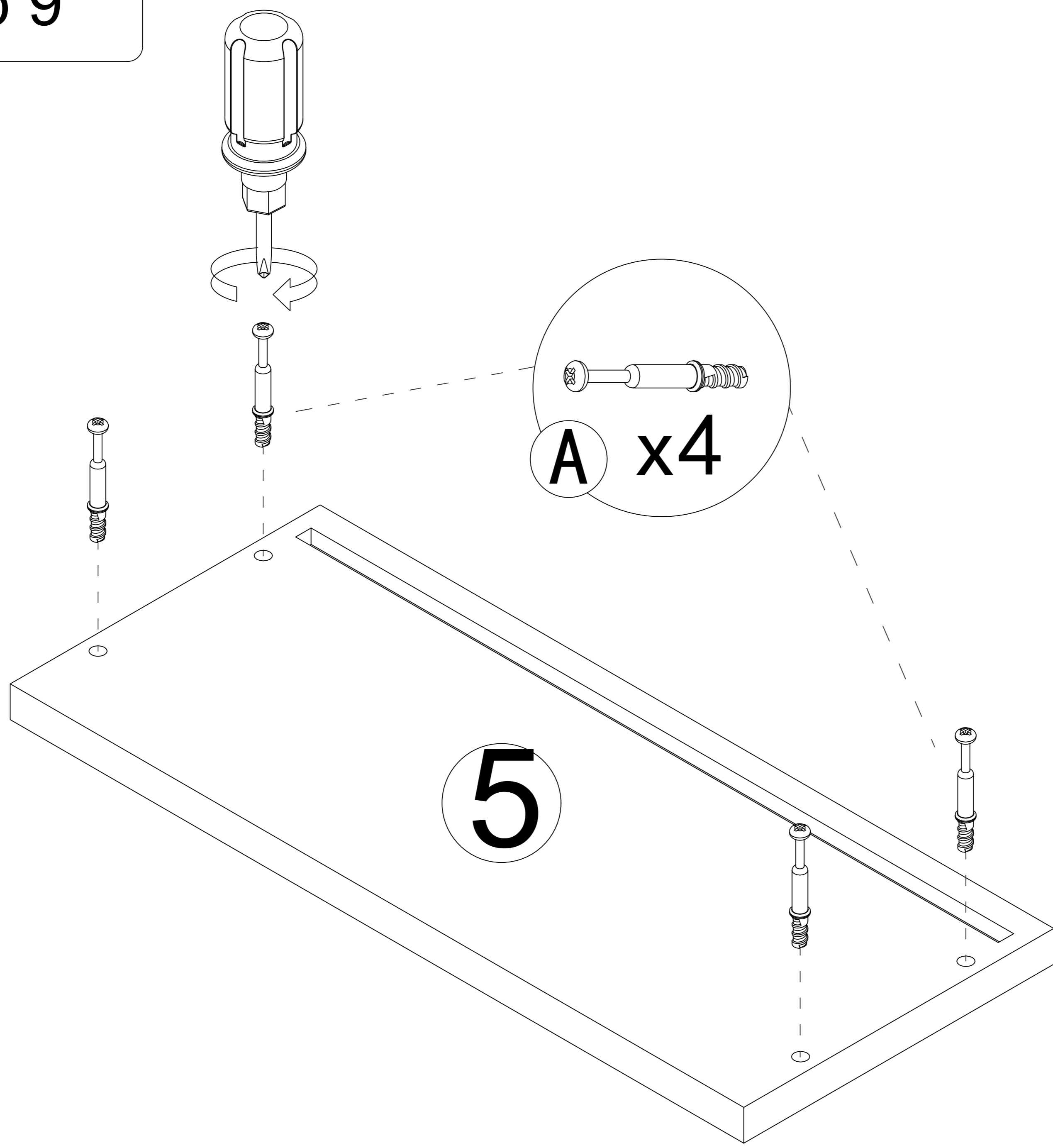
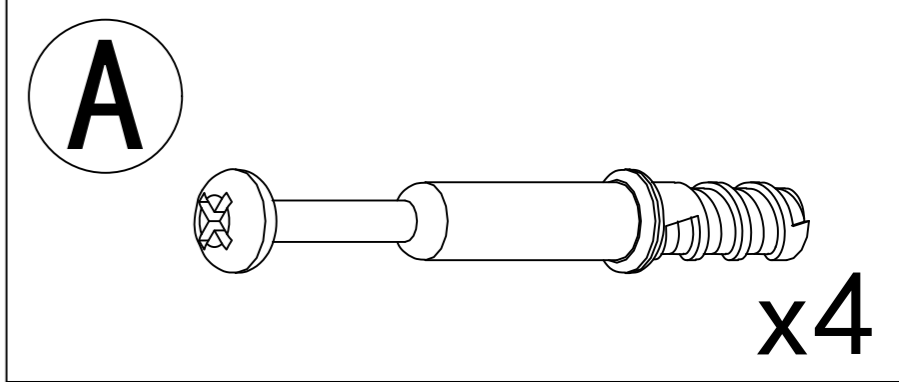
Step 8



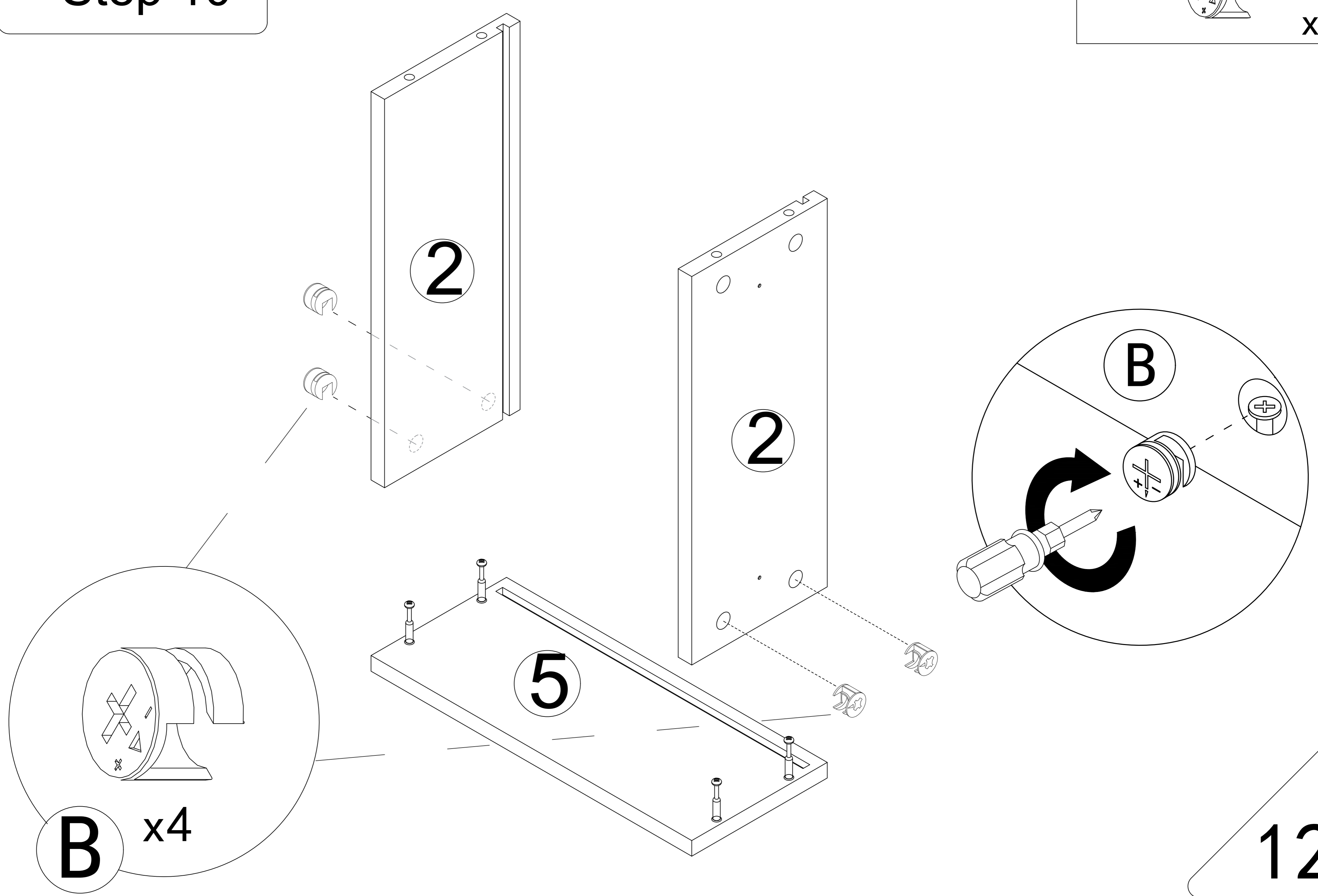
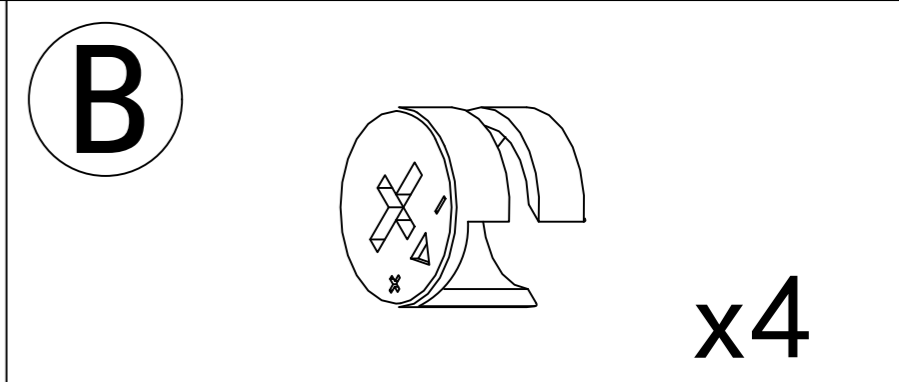
A		8pcs	B		8pcs	E		1pcs 2pcs	
D		2pcs 4pcs							



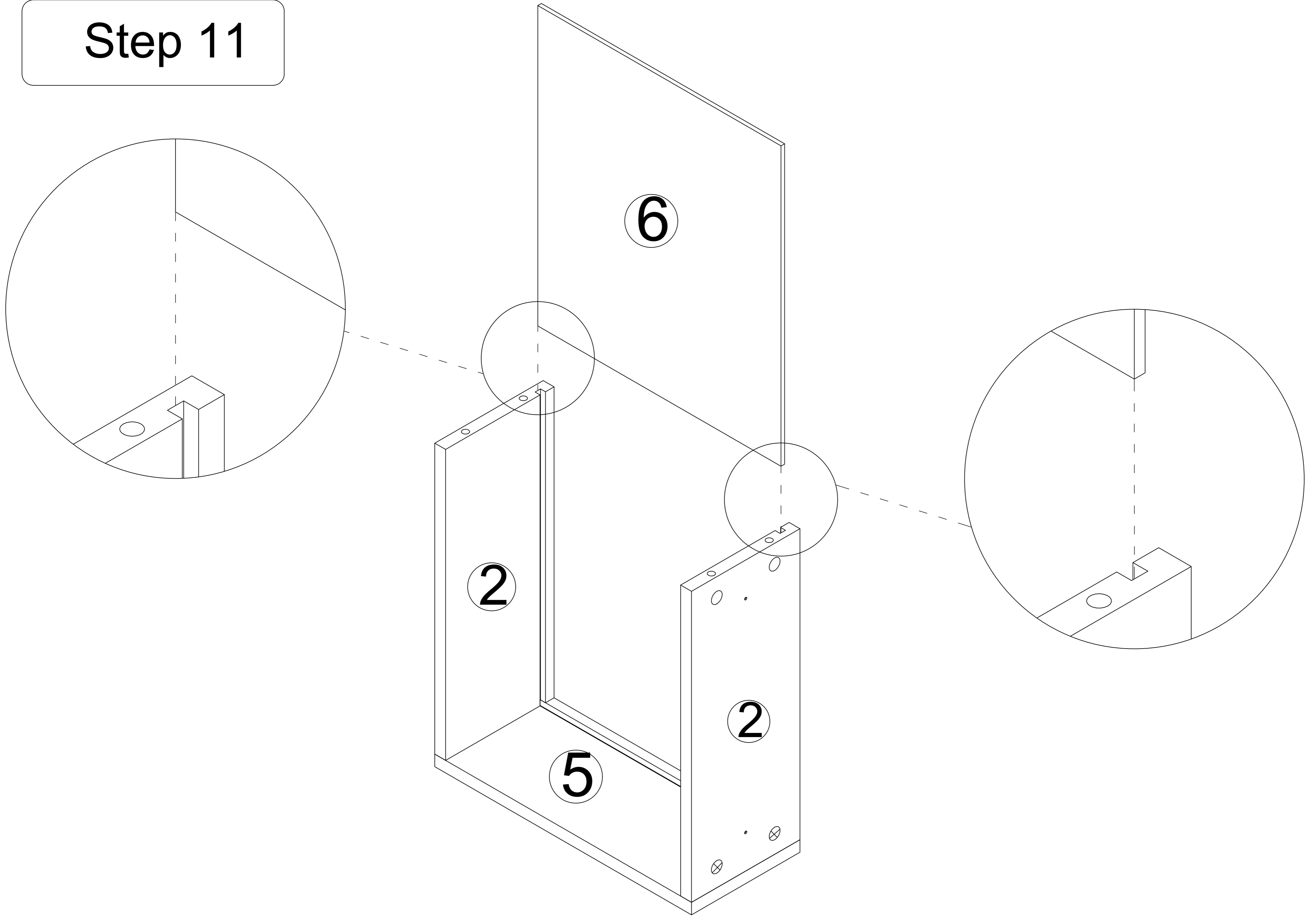
Step 9



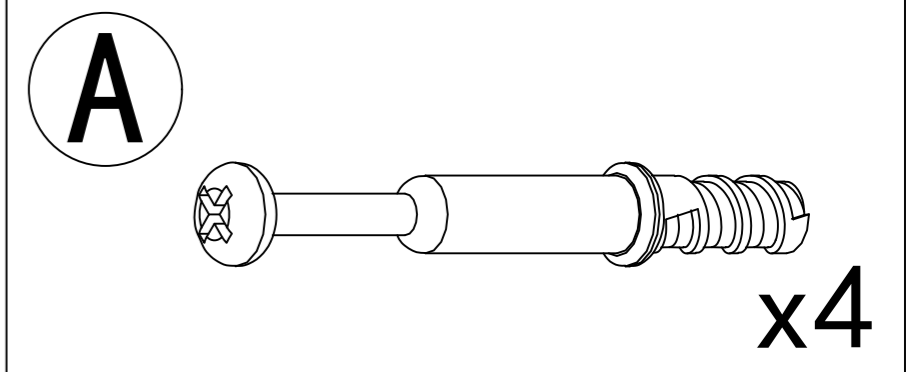
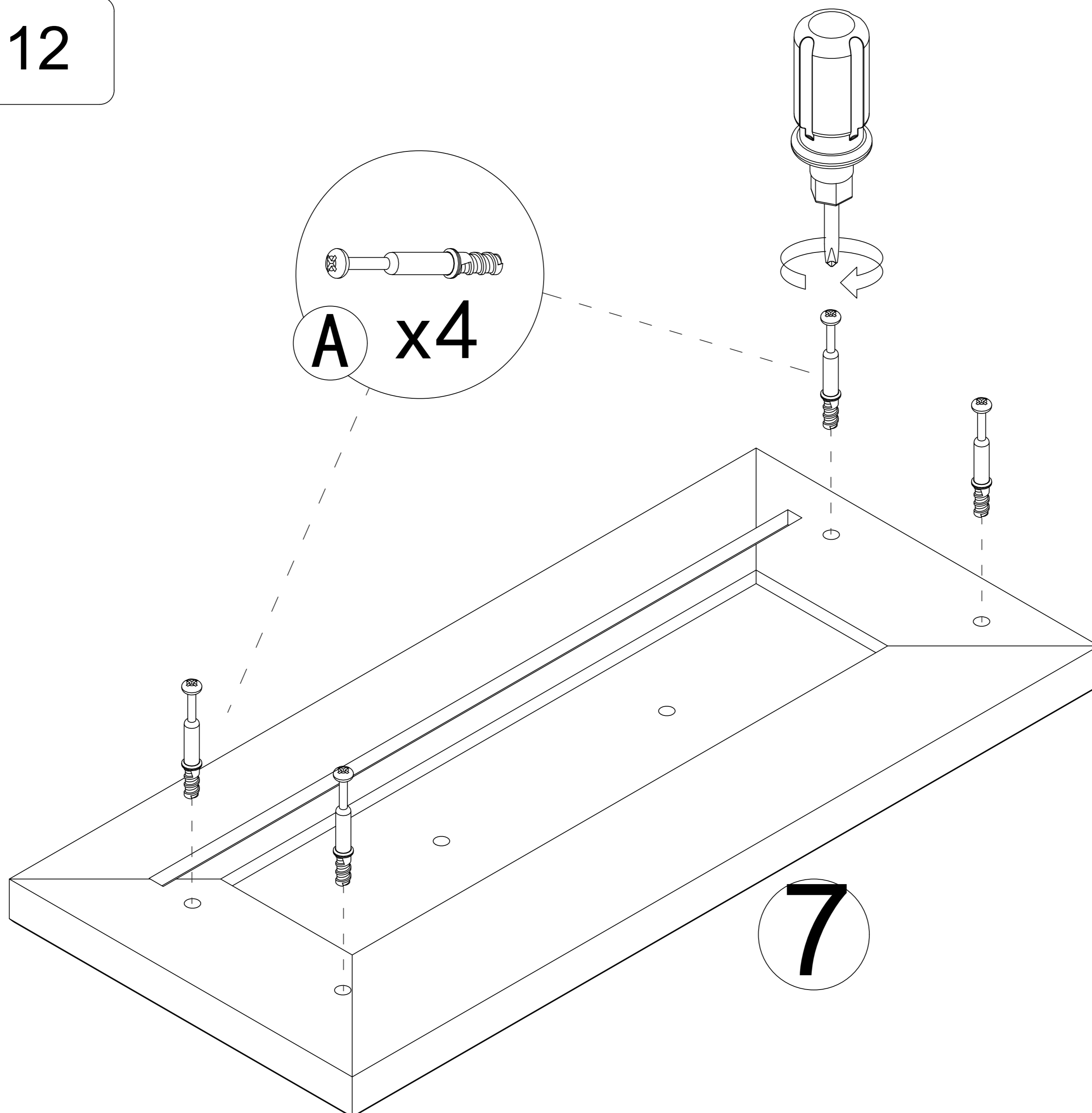
Step 10



Step 11

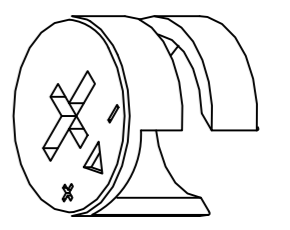


Step 12

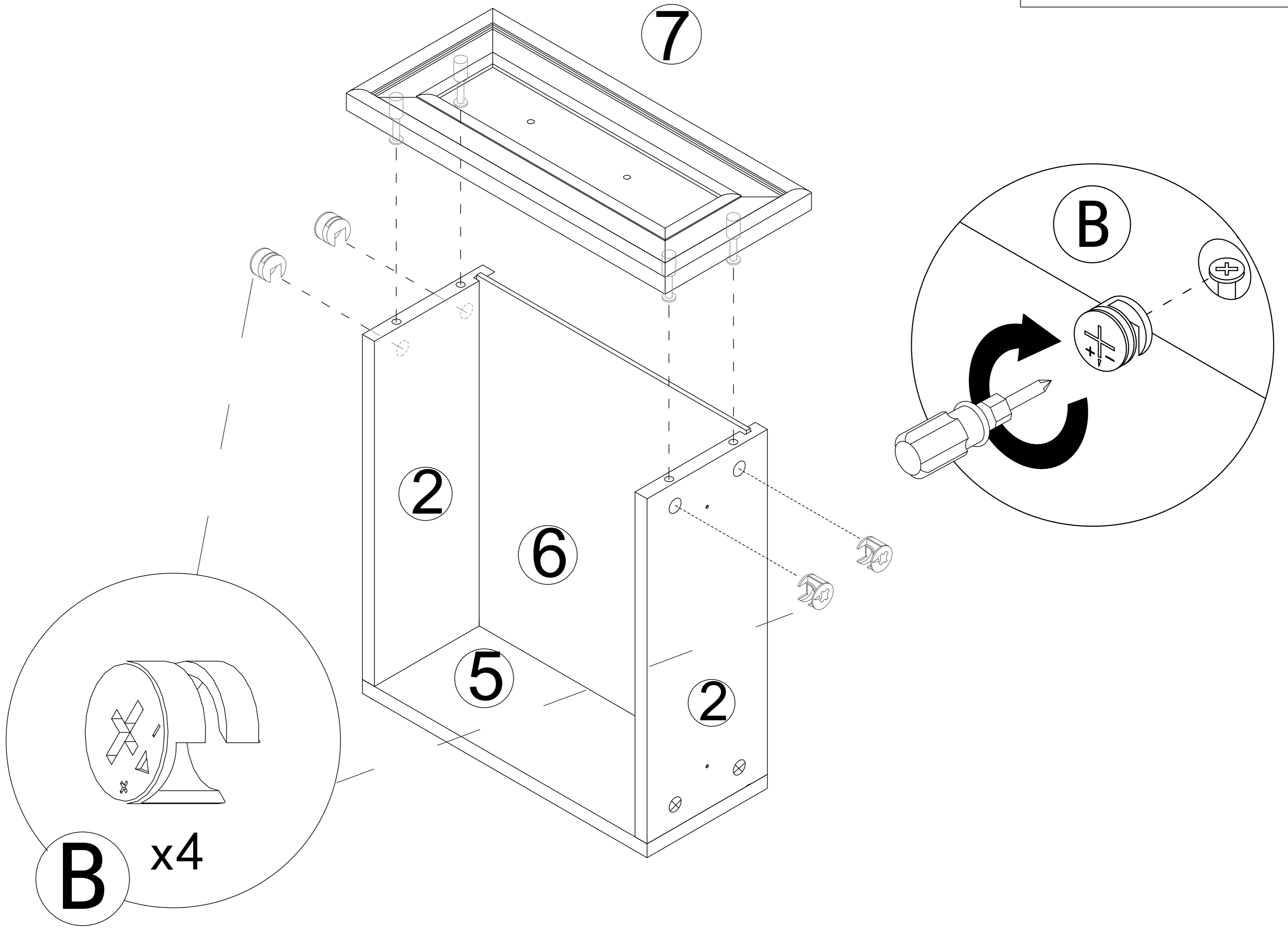


Step 13

B

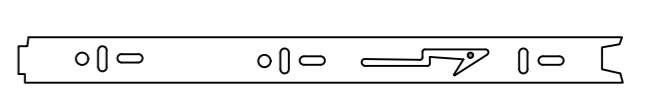


x4

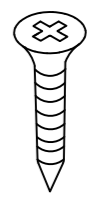


Step 14

D

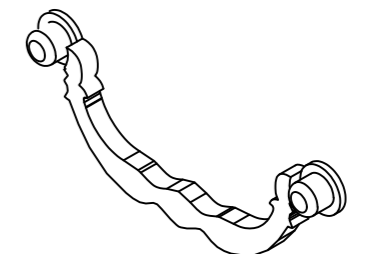


x2



x4

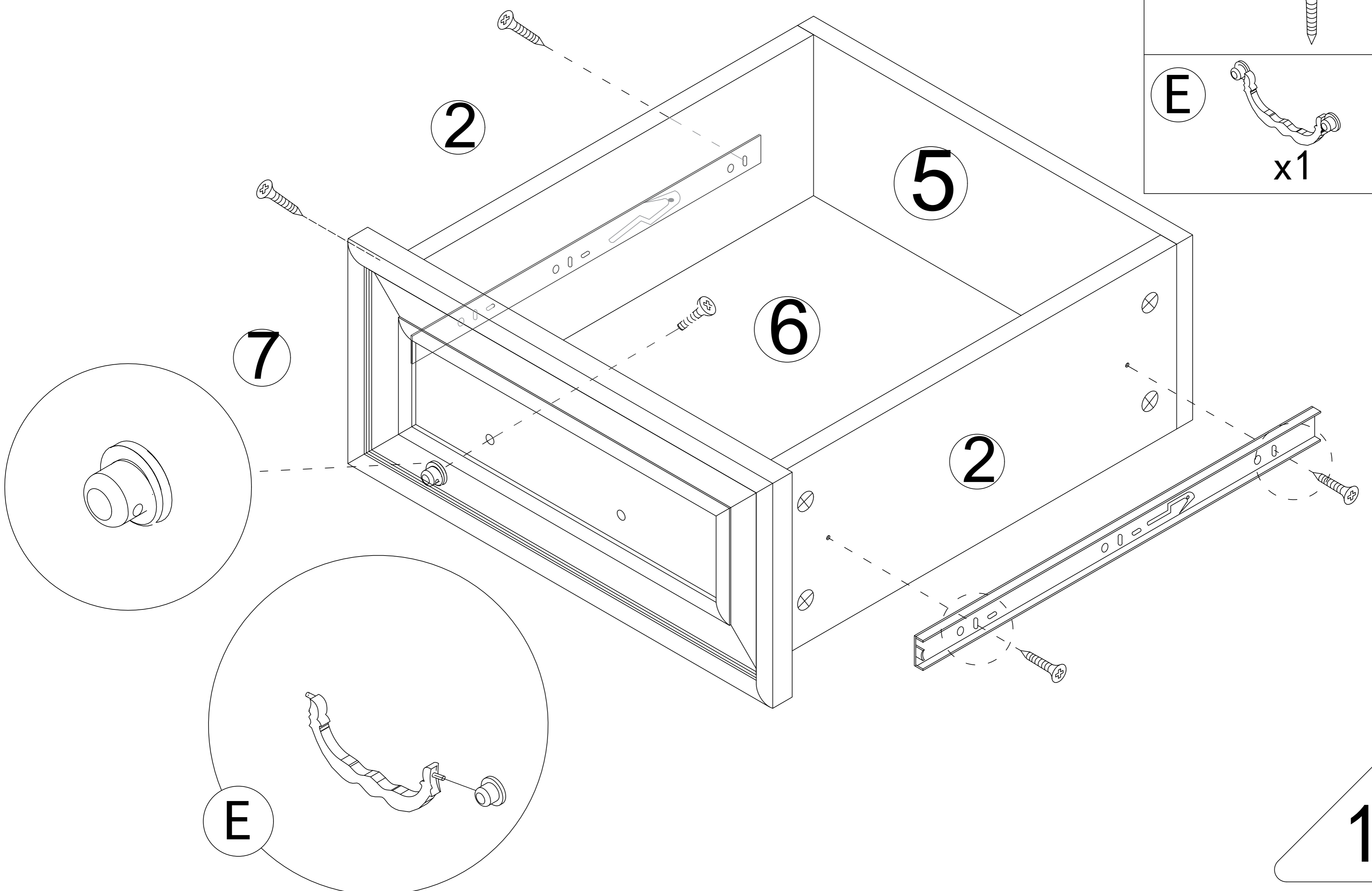
E



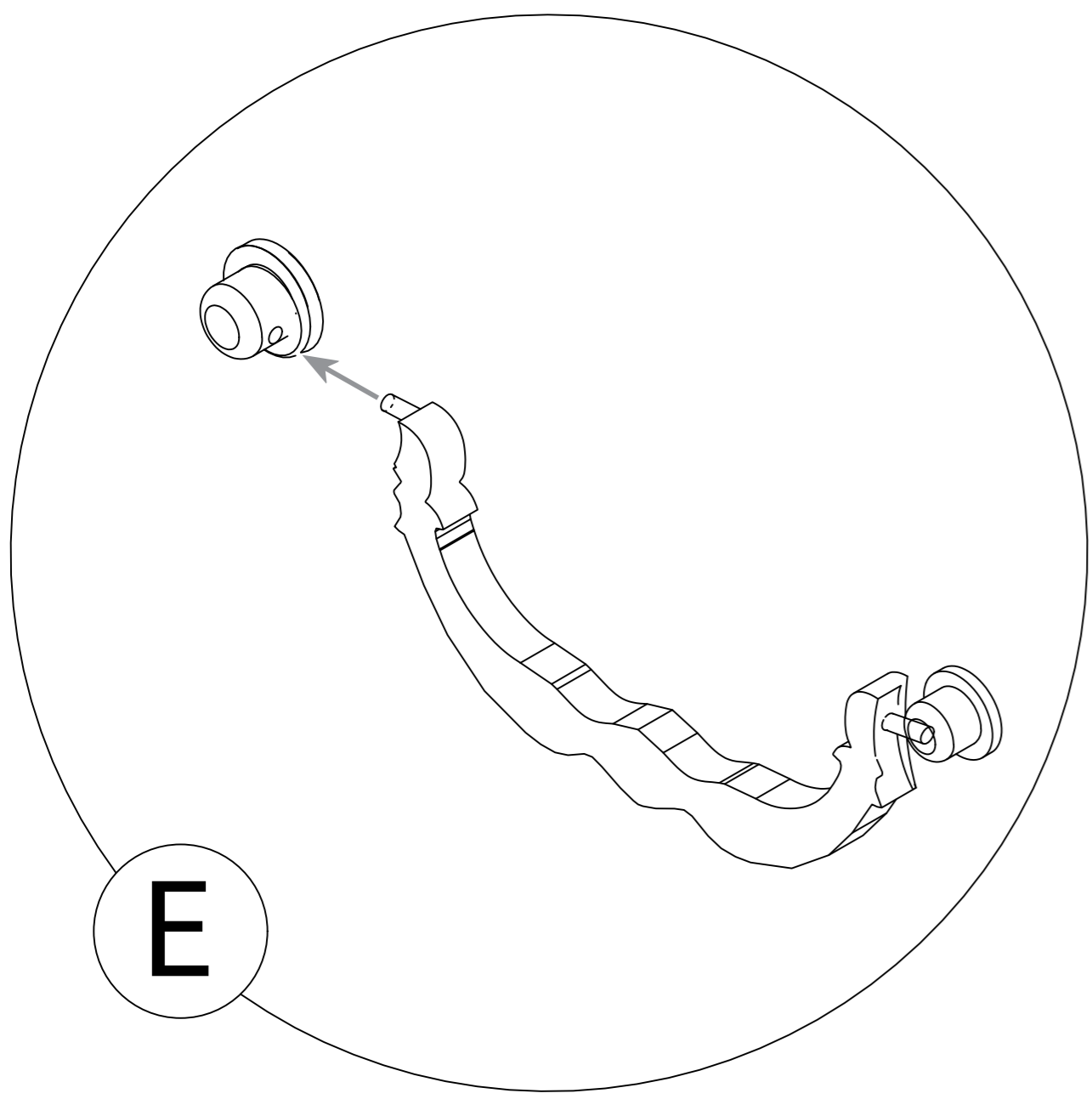
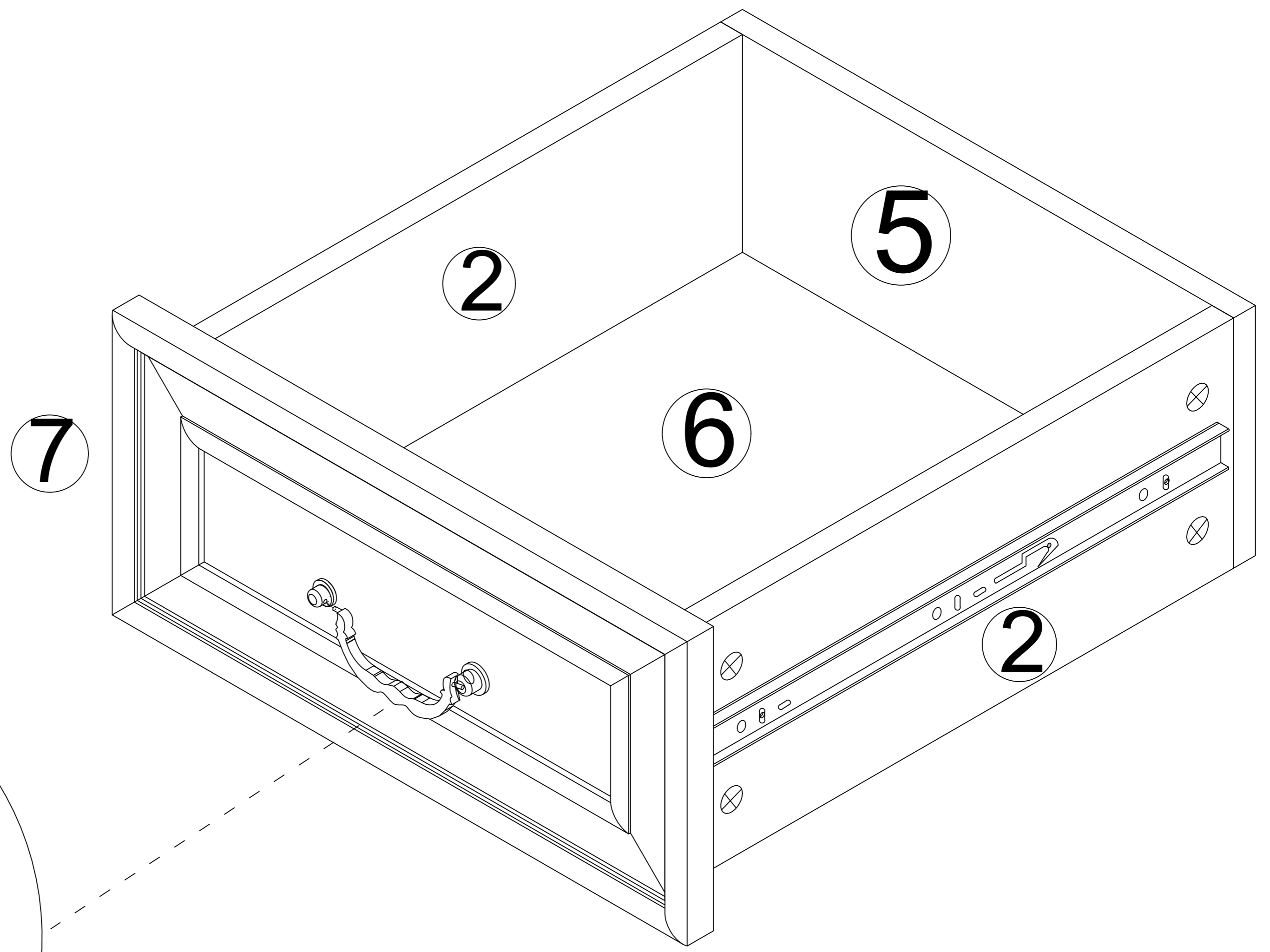
x1



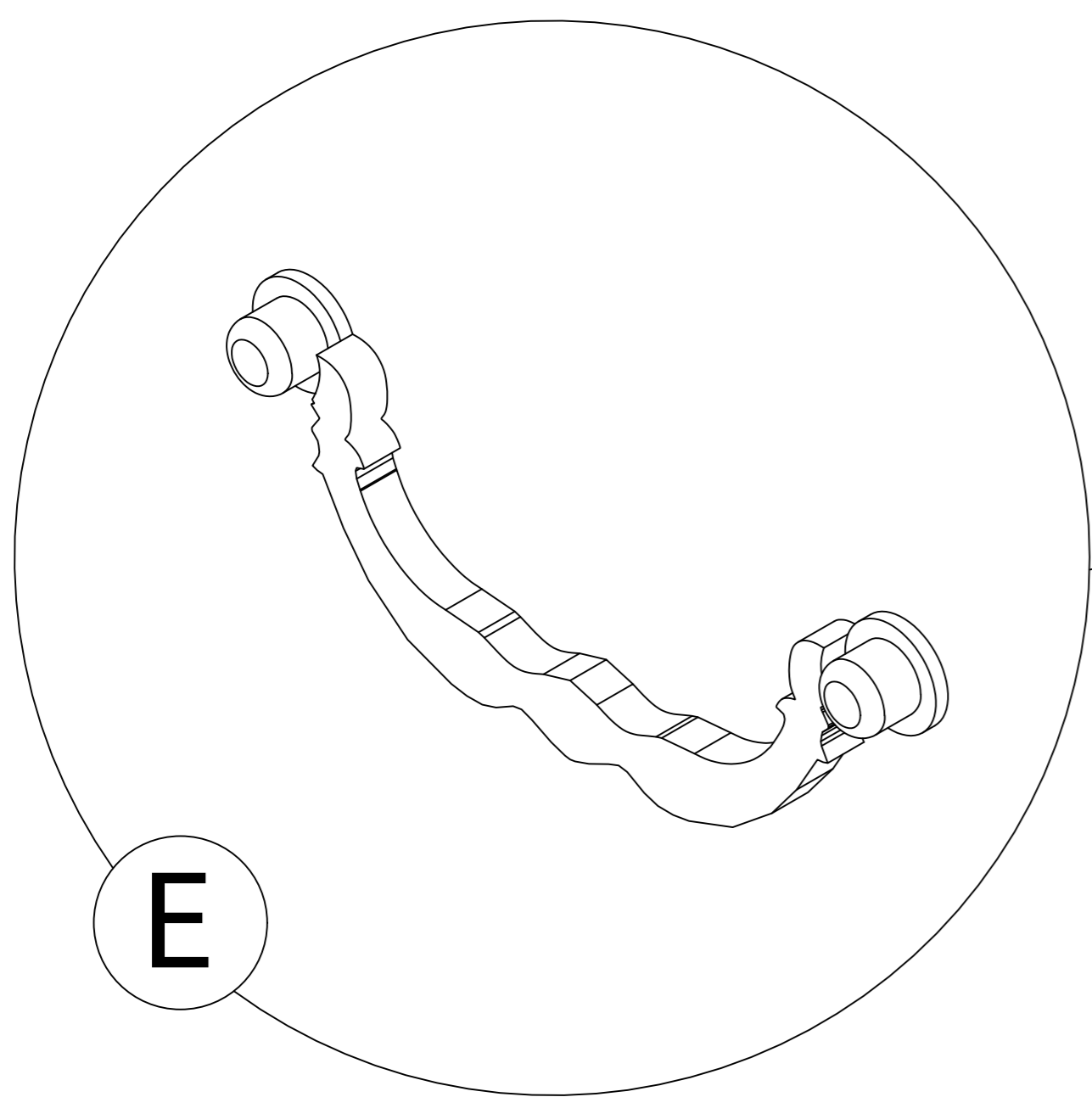
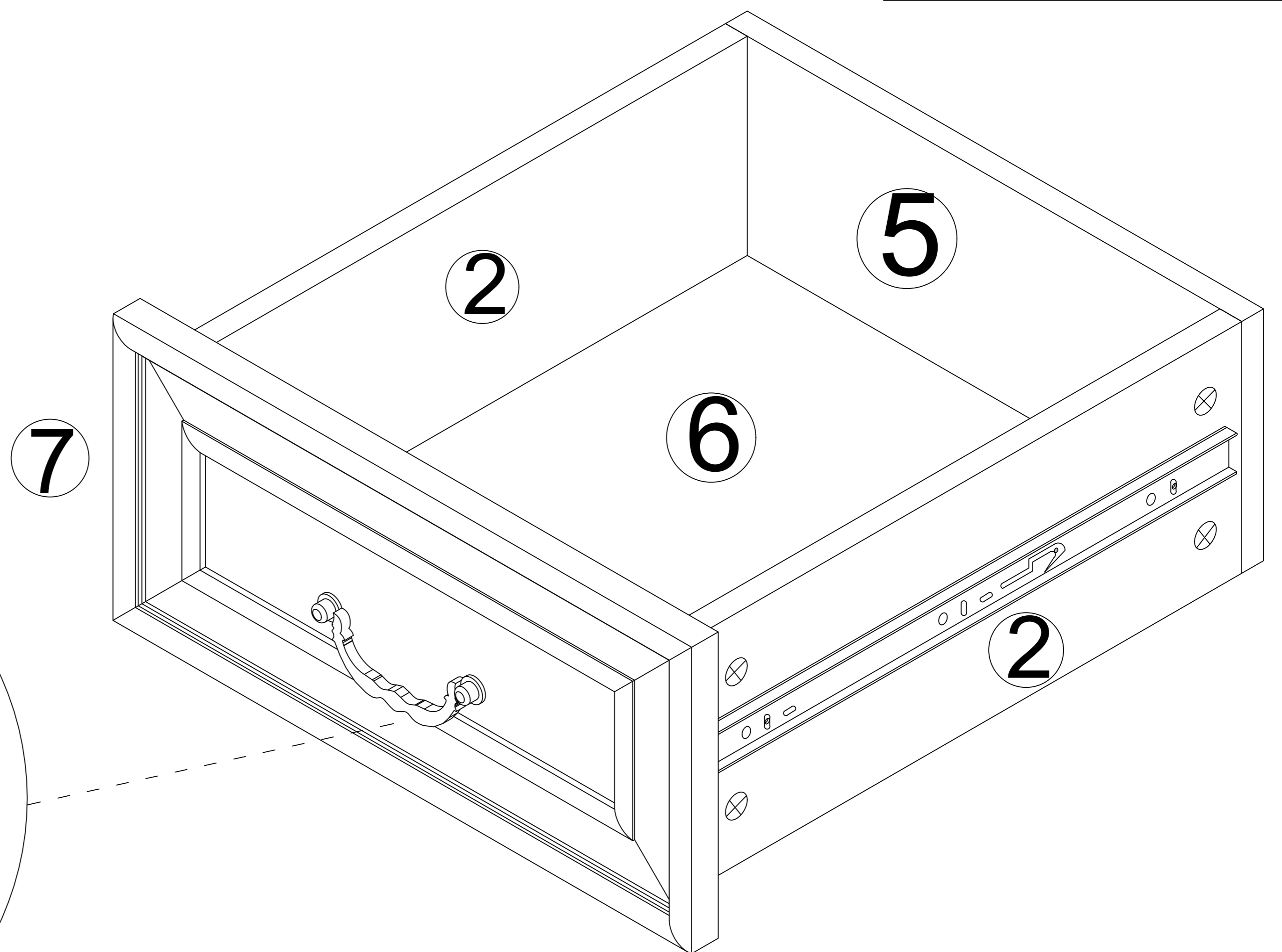
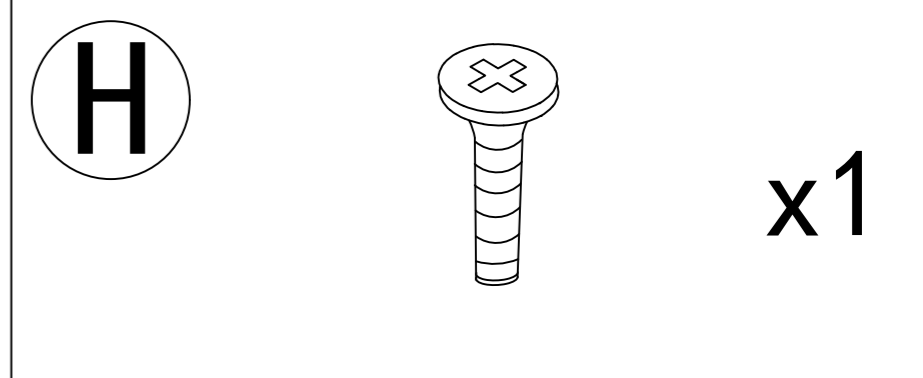
x1

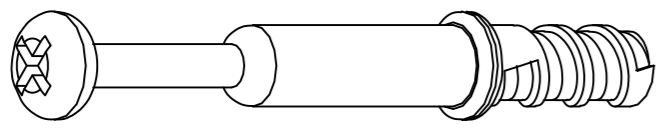
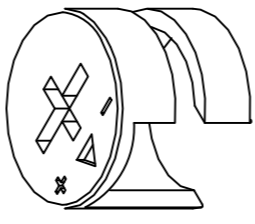

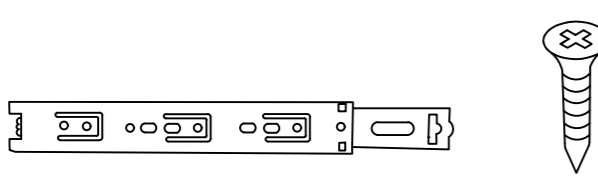
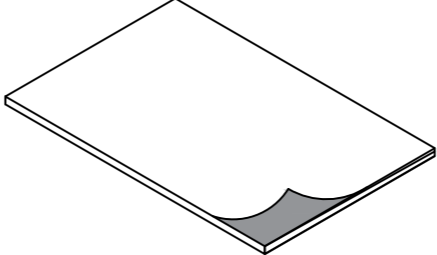
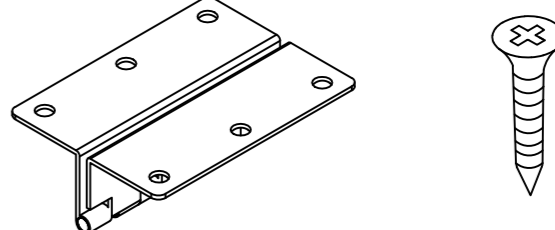
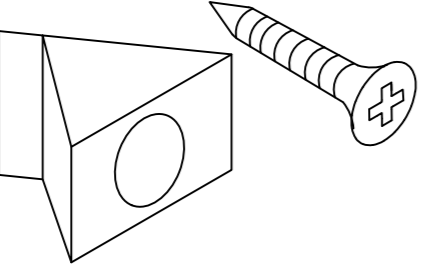
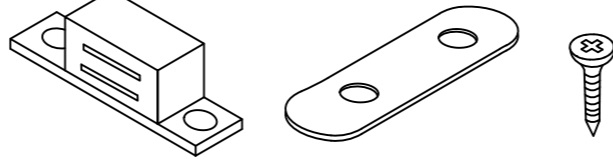
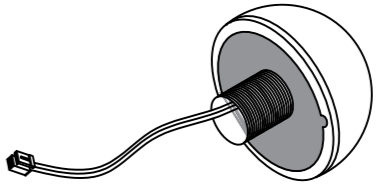
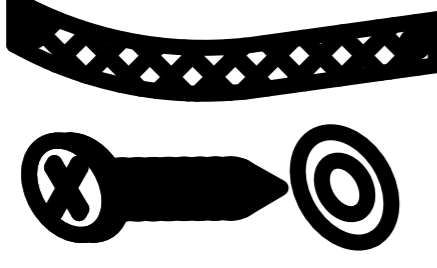
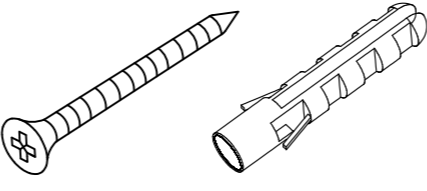
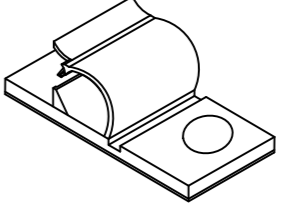
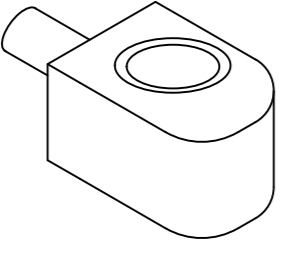


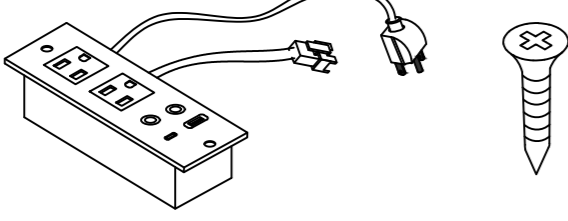


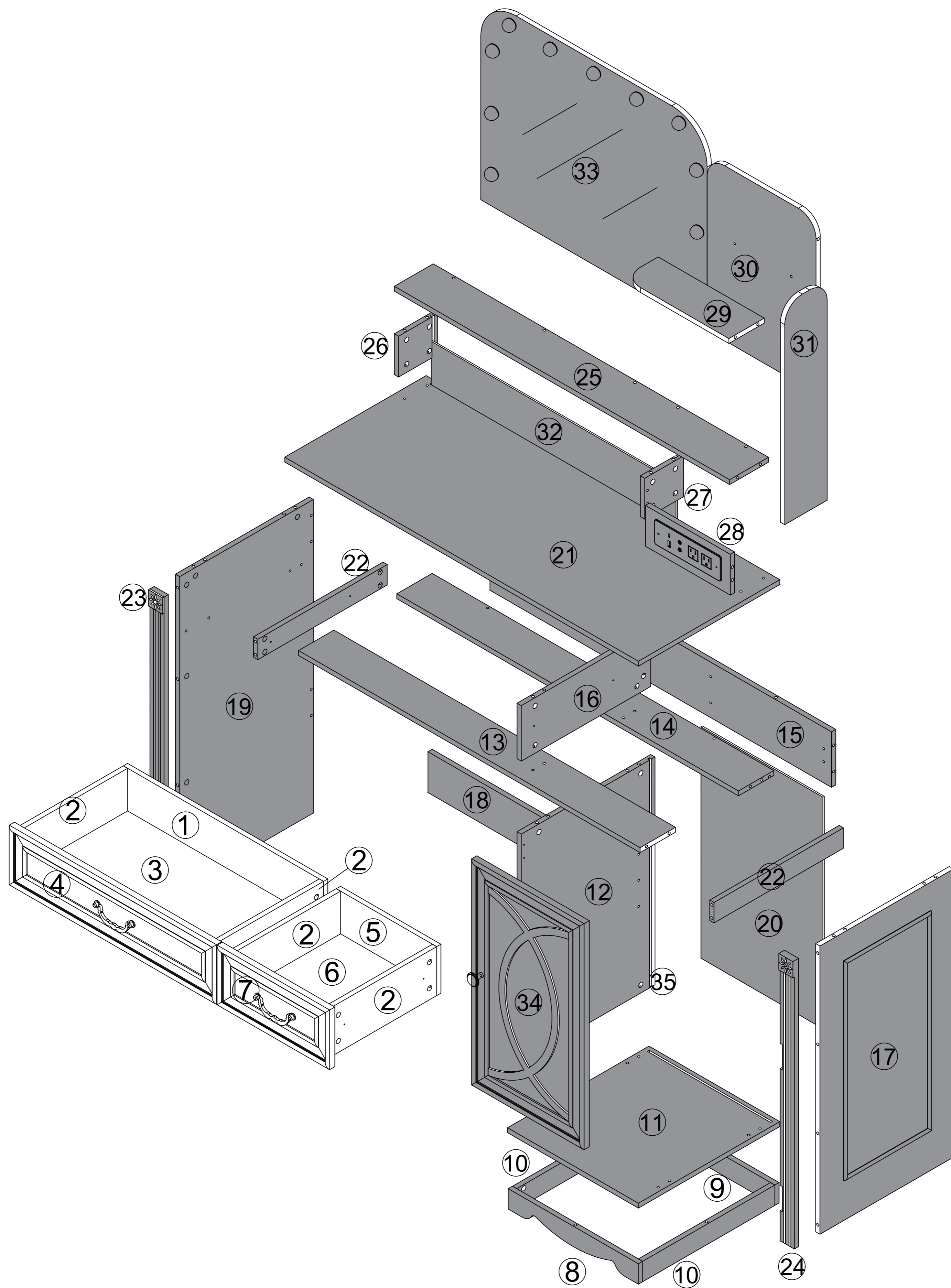
Step 15



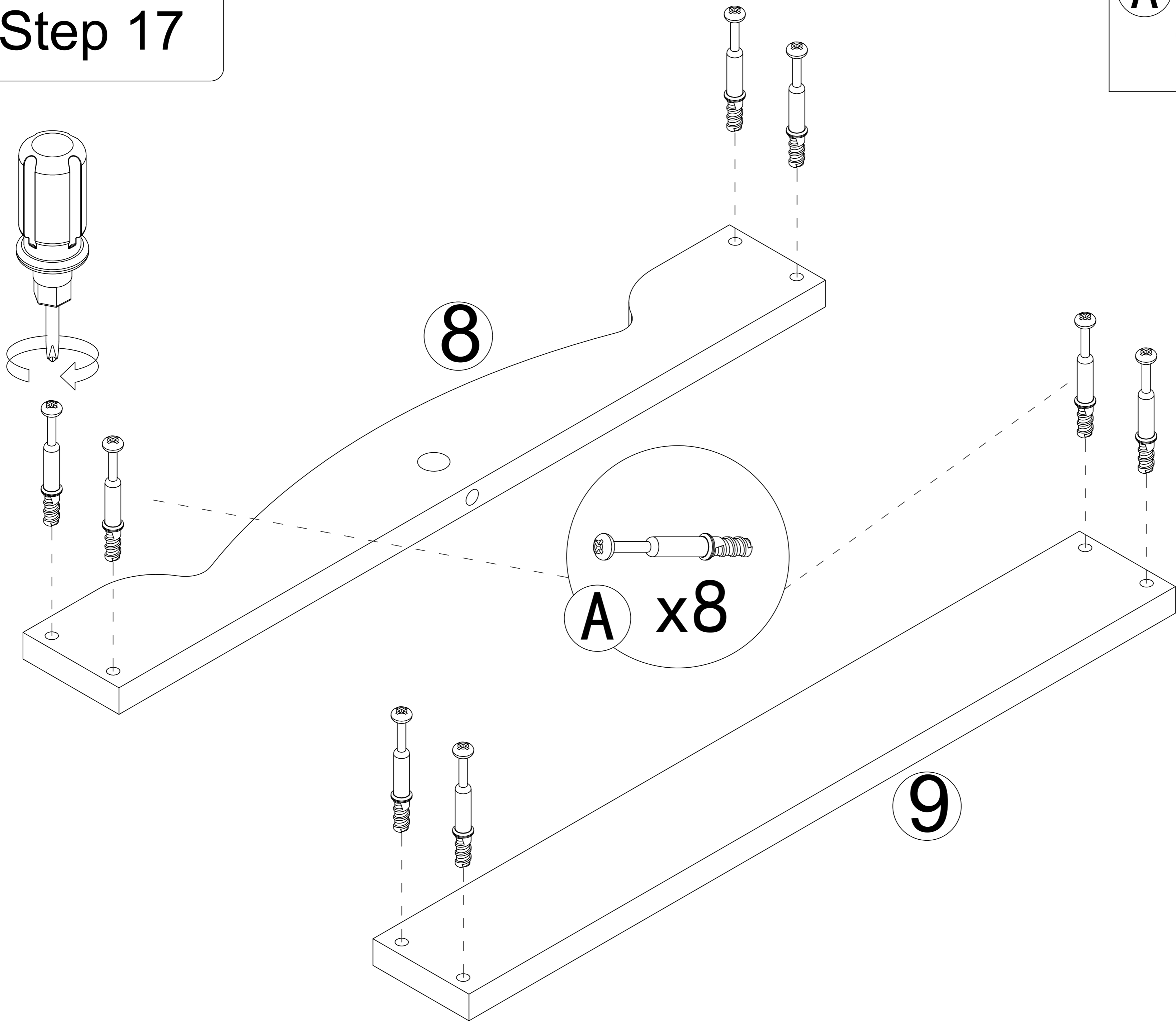
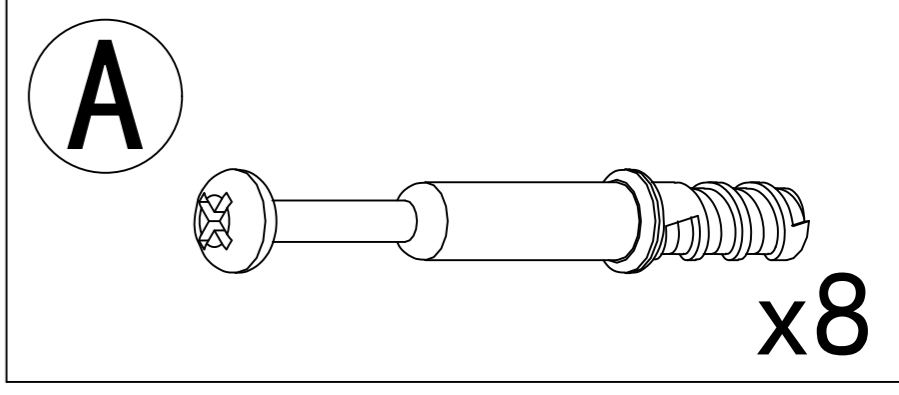
Step 16



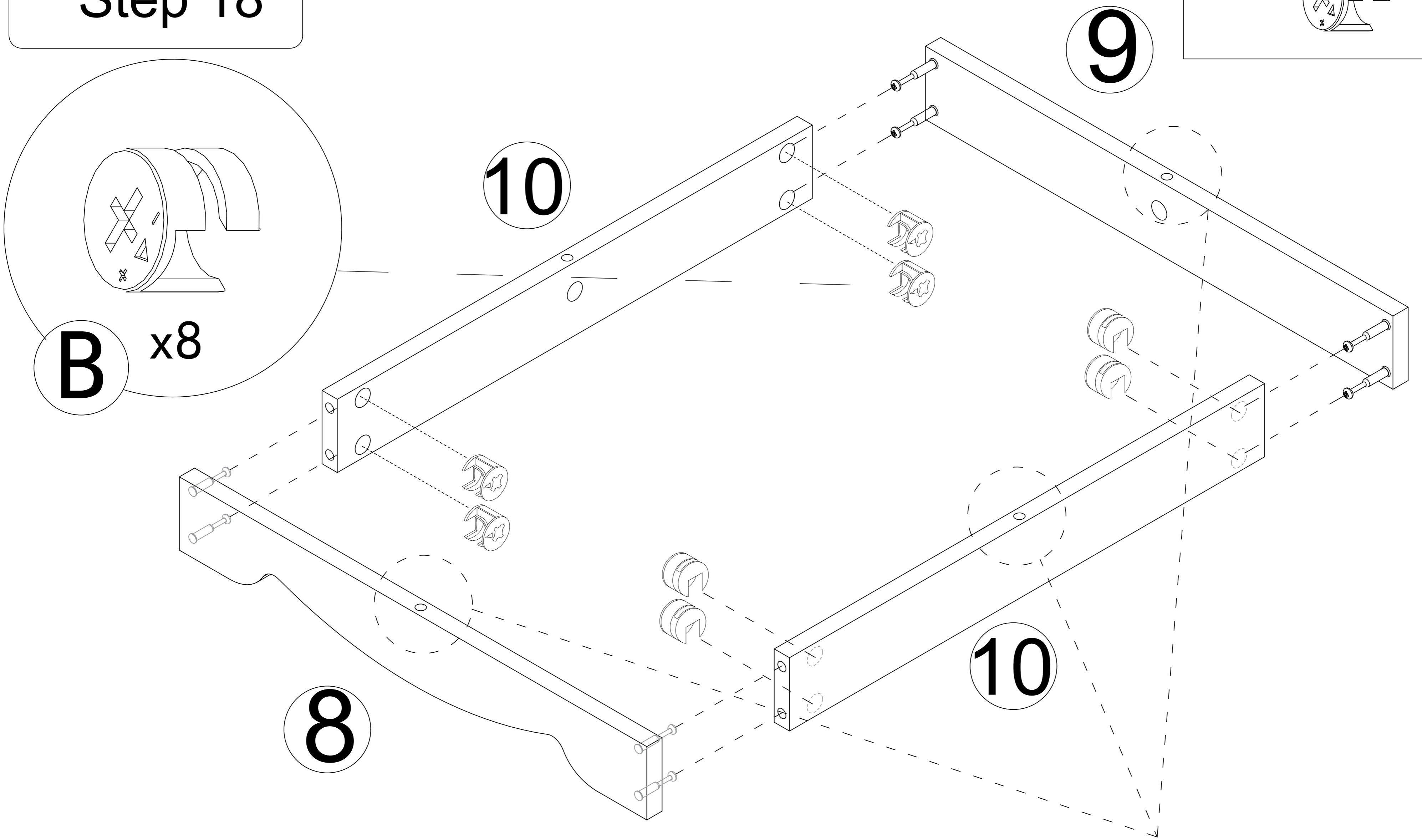
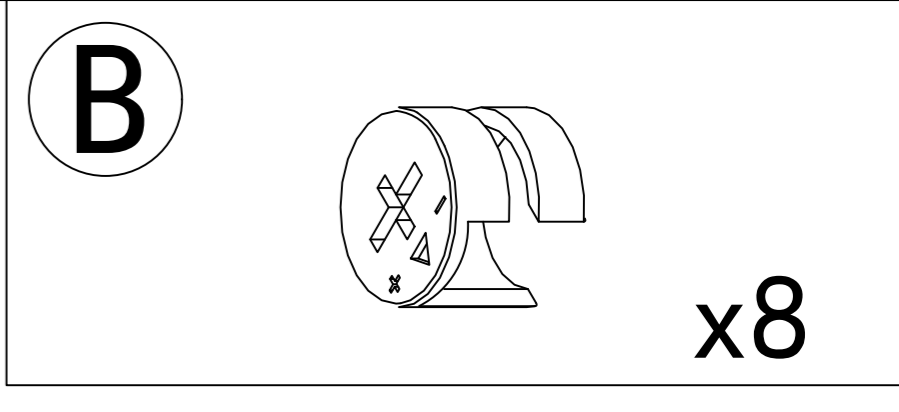
A		94pcs	B		94pcs	C		14pcs
D		8pcs	F		6pcs	G		2pcs
		8pcs						12pcs
H		4pcs	I		1pcs	J		11pcs
		4pcs			1pcs			
					2pcs			
K		1pcs	K		1pcs	L		4pcs
M		4pcs	N		1pcs	O		1pcs
					1pcs			2pcs
P		1pcs						
		2pcs						



Step 17

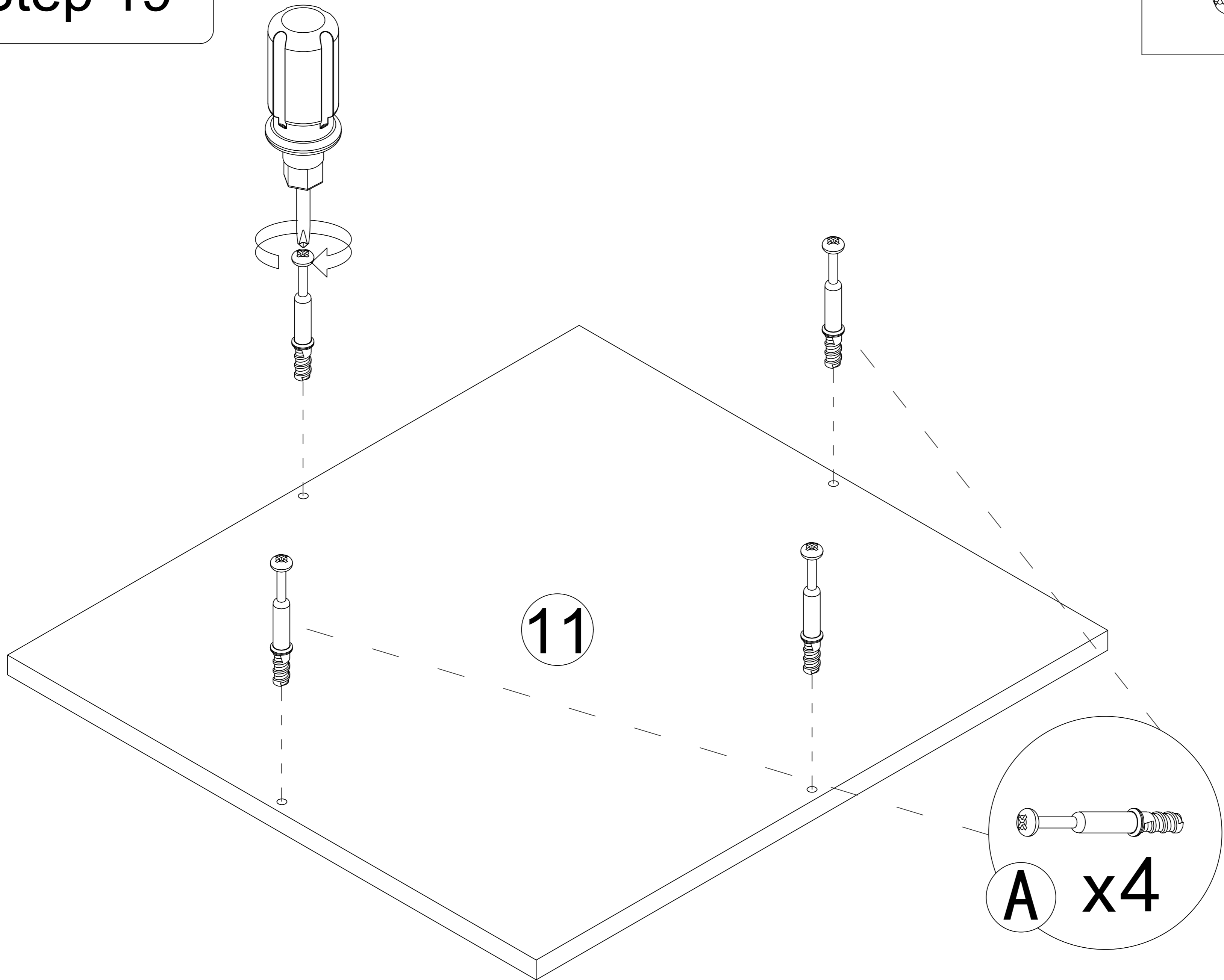
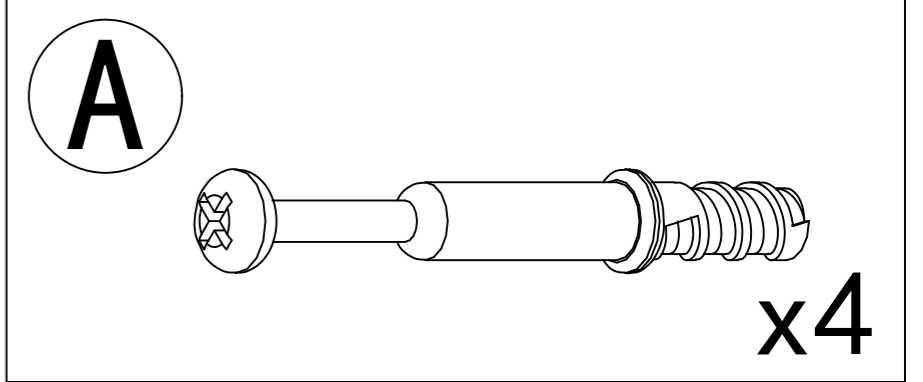


Step 18

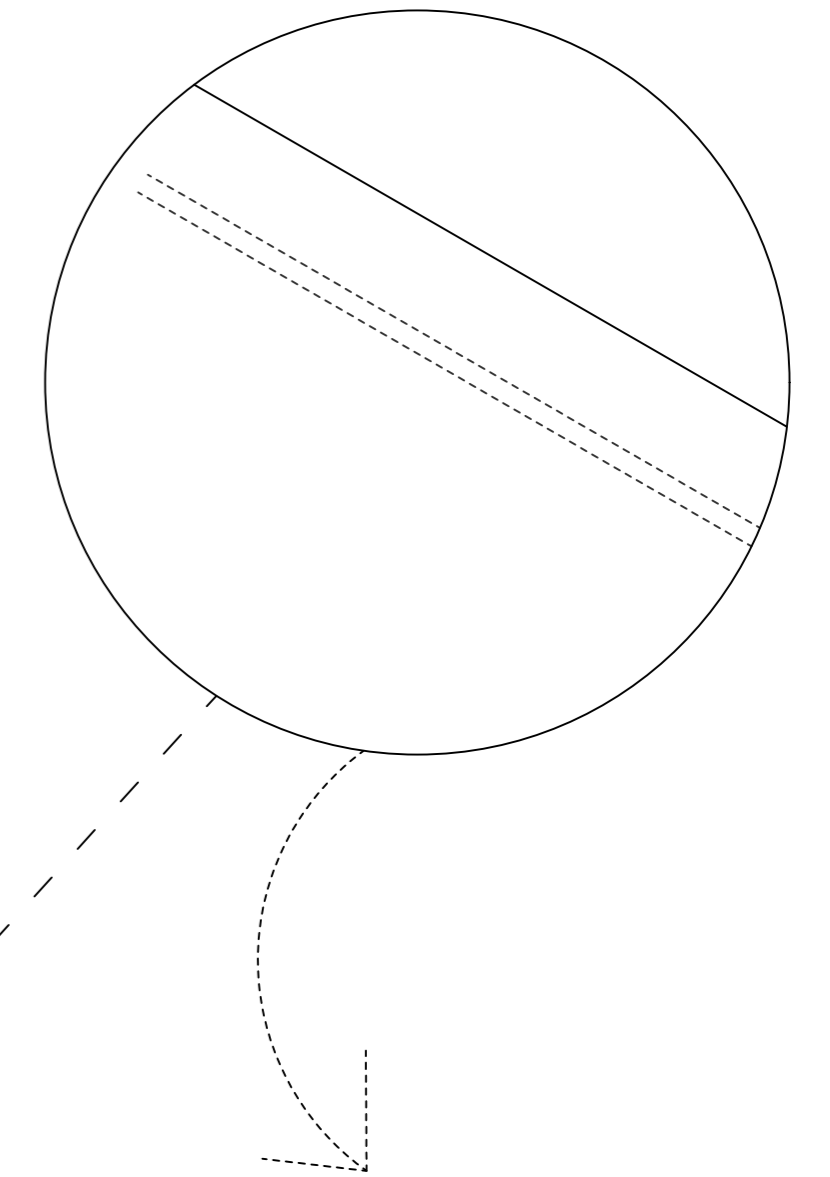
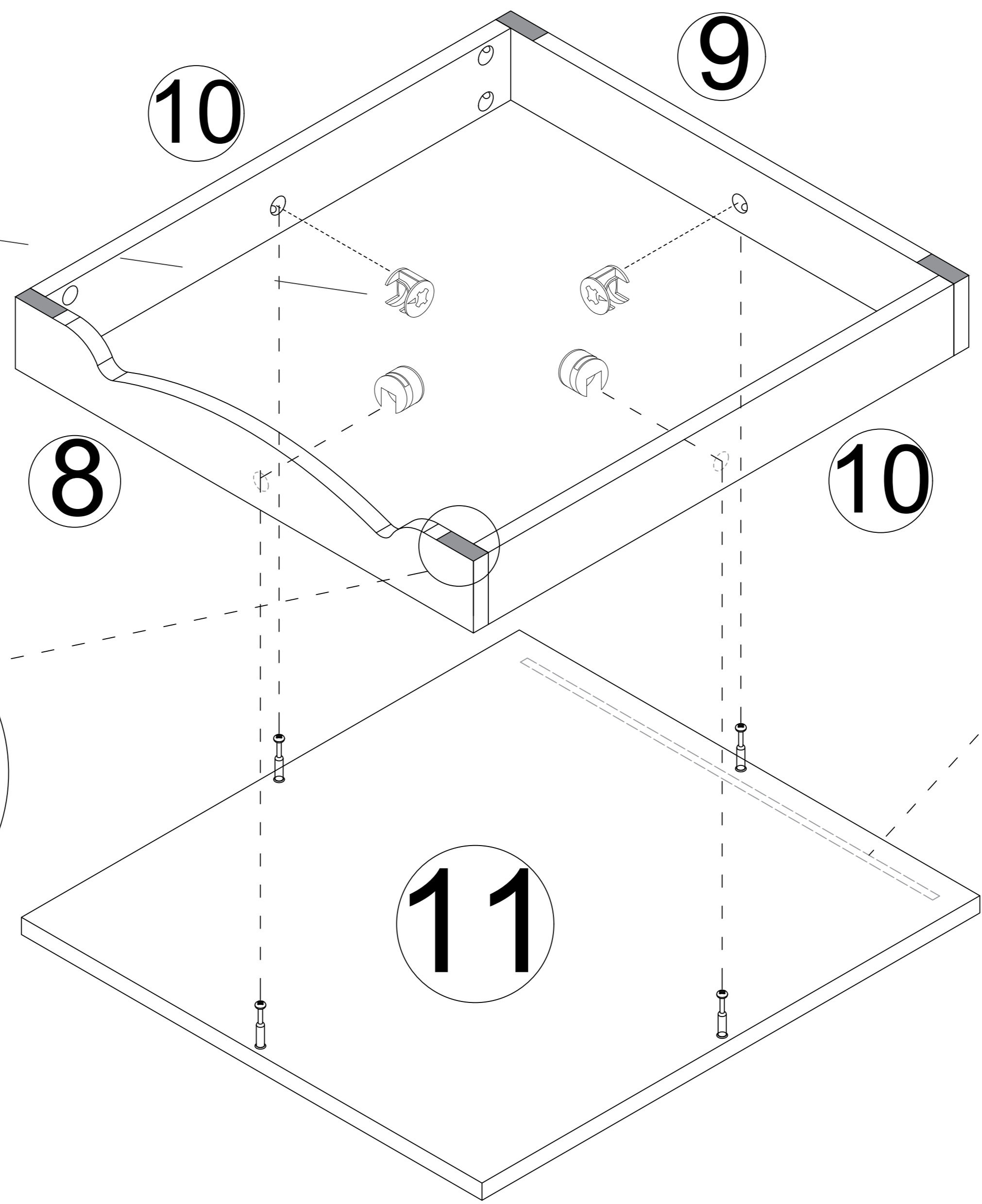
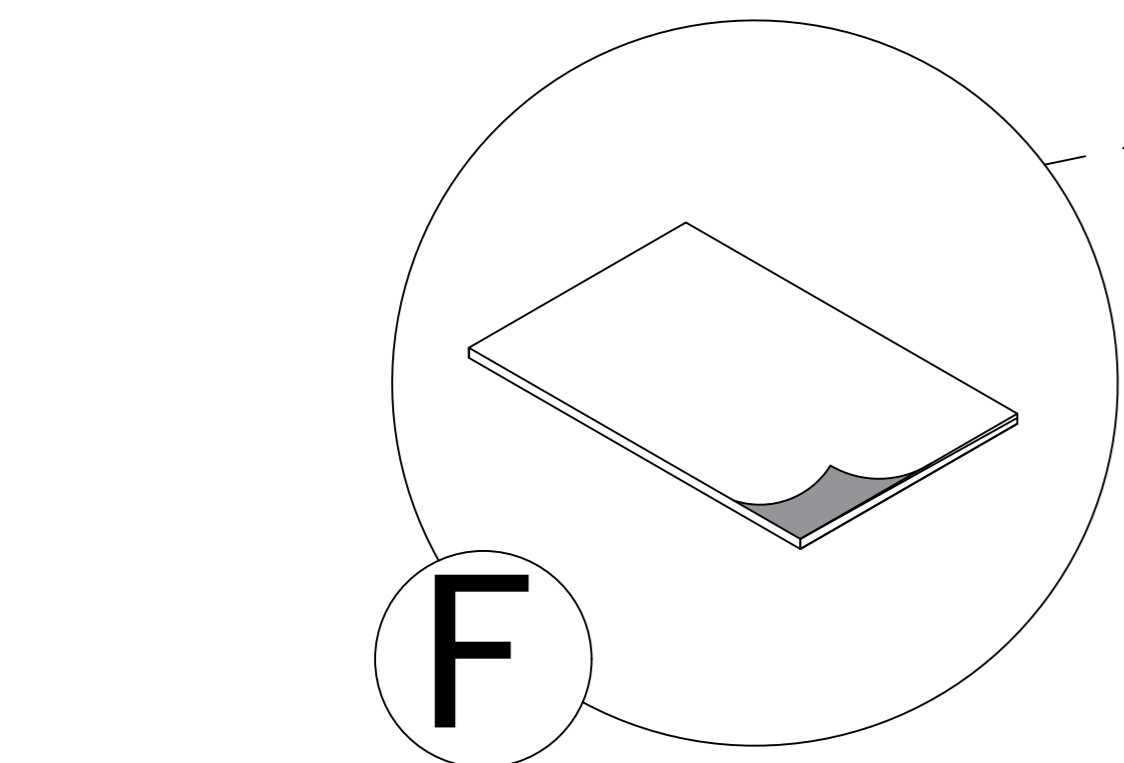
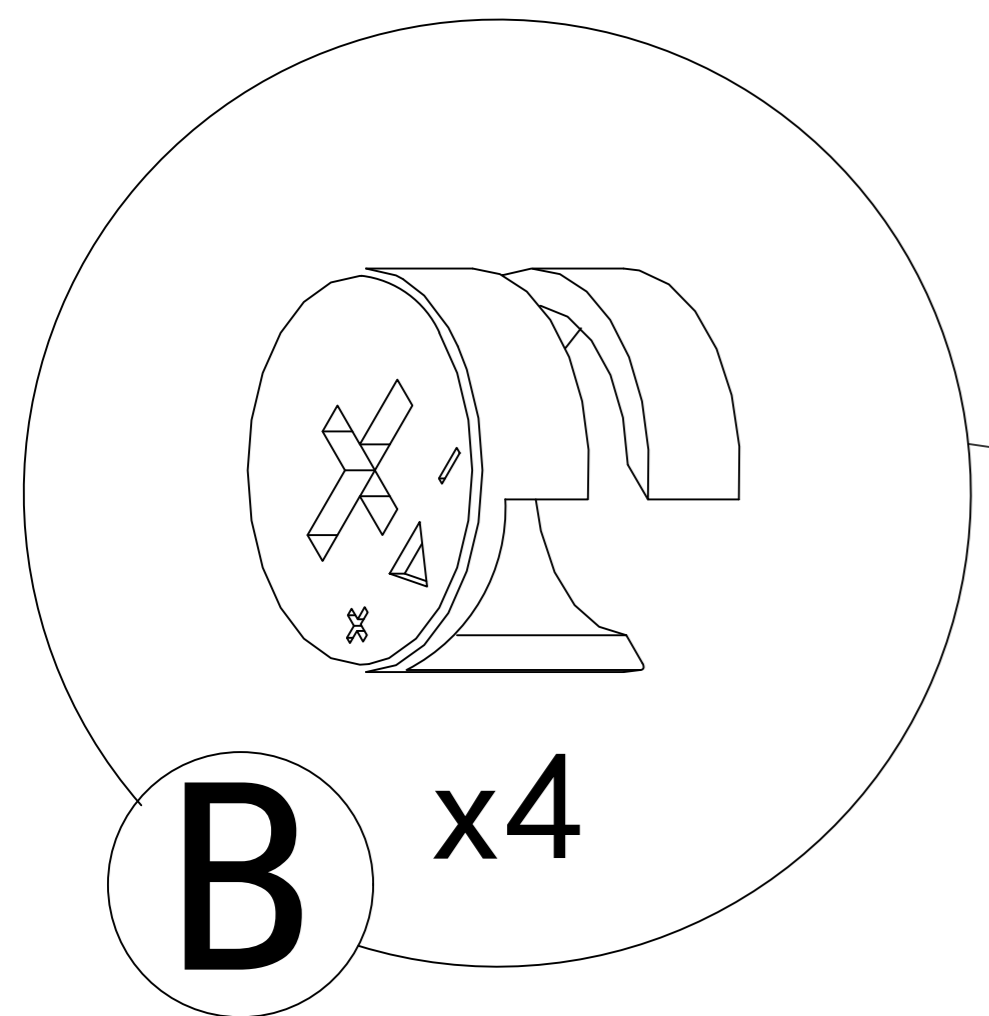
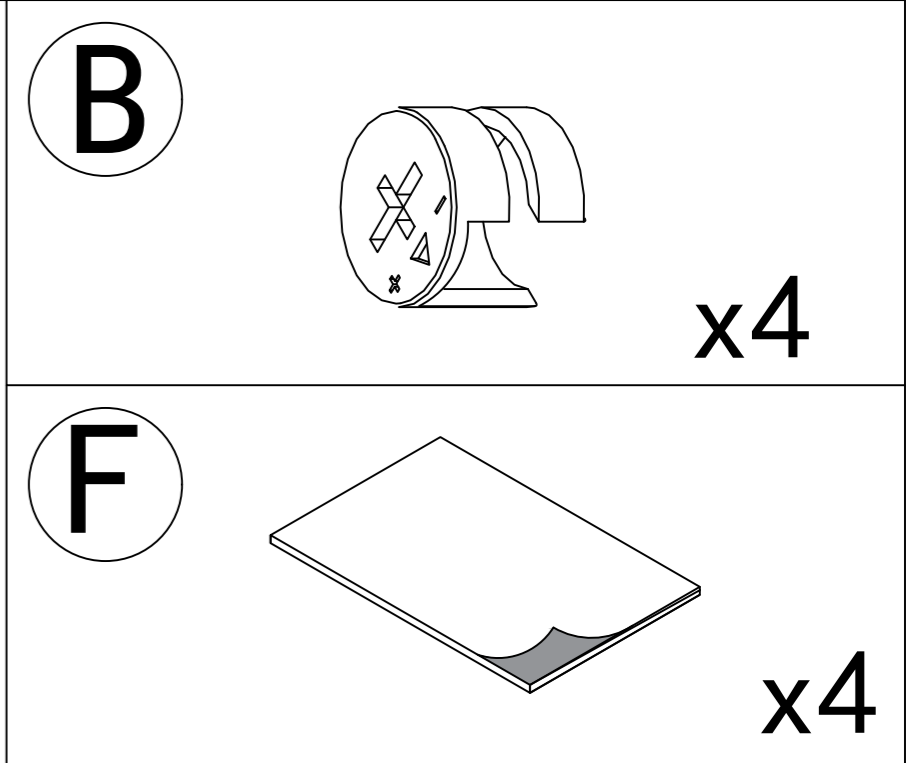


The side holes of the "8", "9", "10" plate are in the same direction.

Step 19



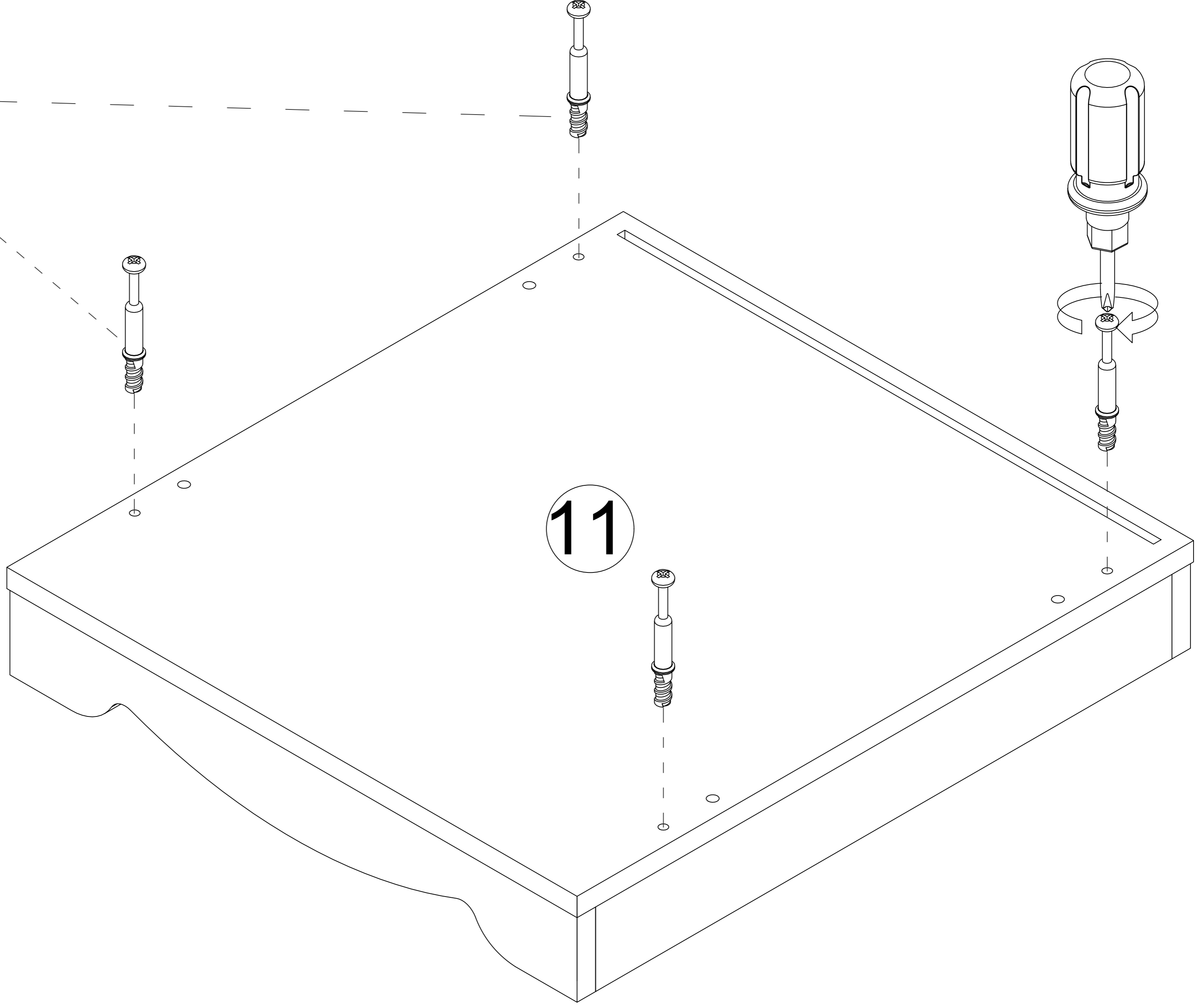
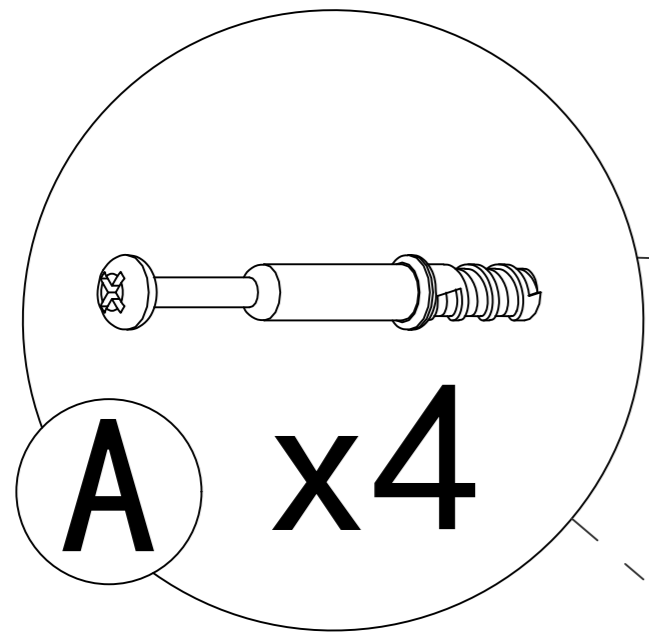
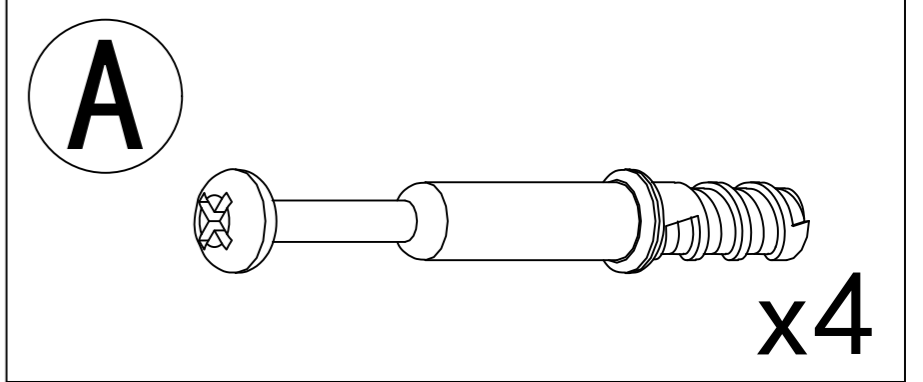
Step 20



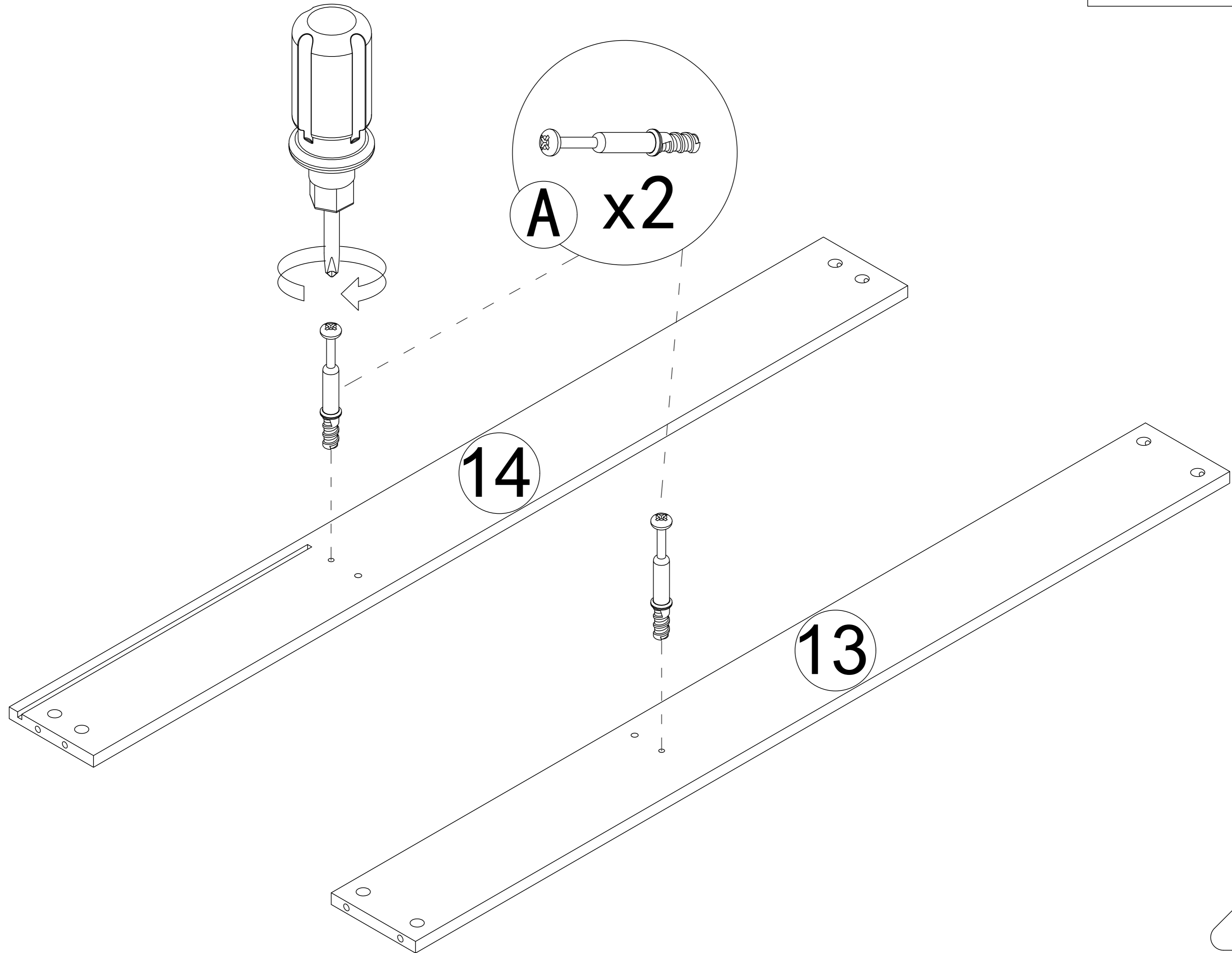
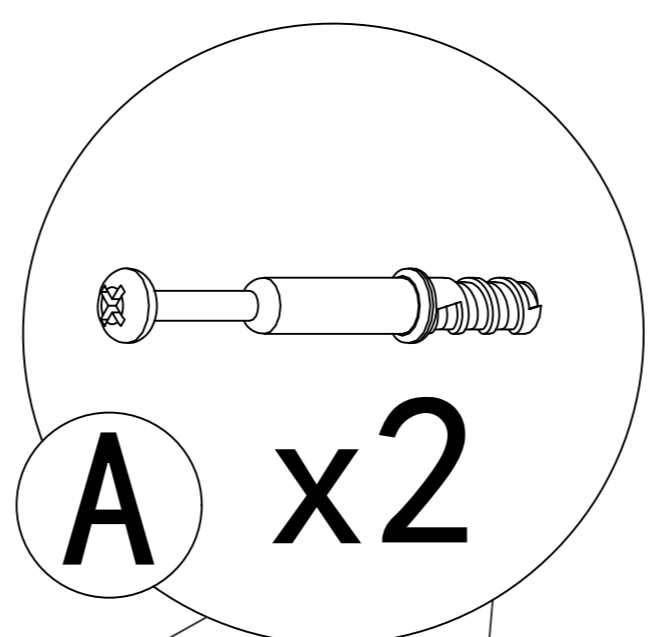
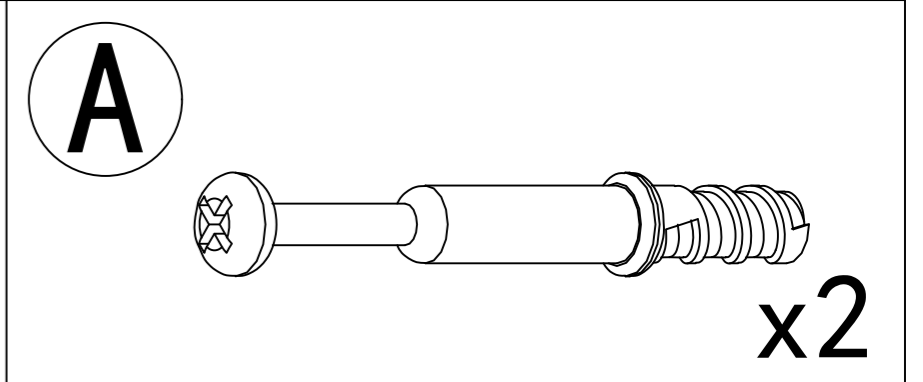
The ones with grooves are at the back

Tear off release paper and stick the black foot pad on the board

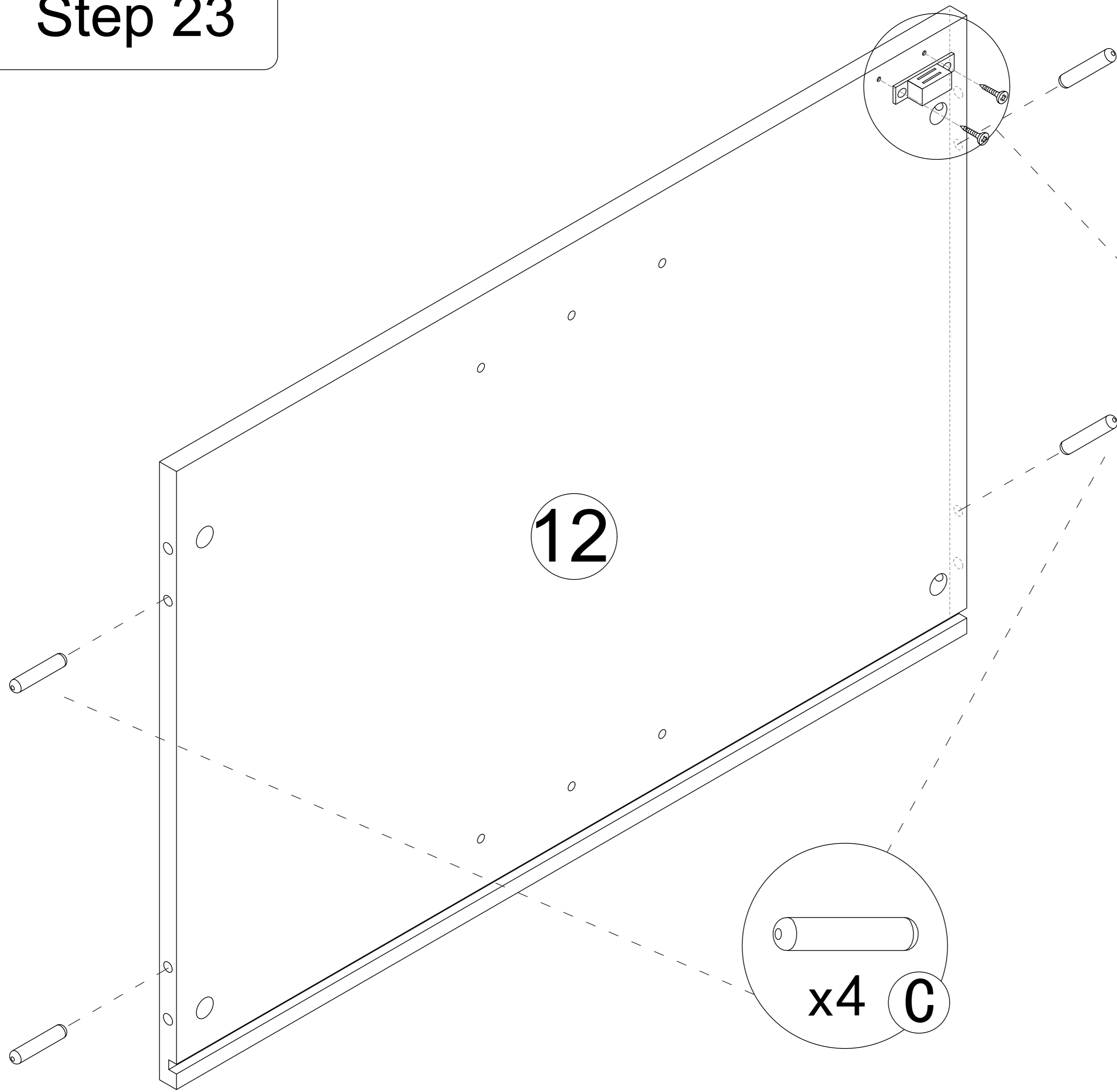
Step 21

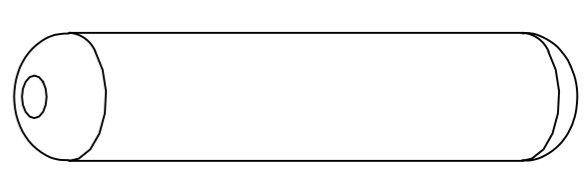


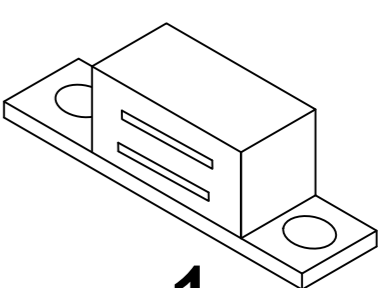
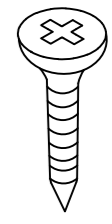
Step 22

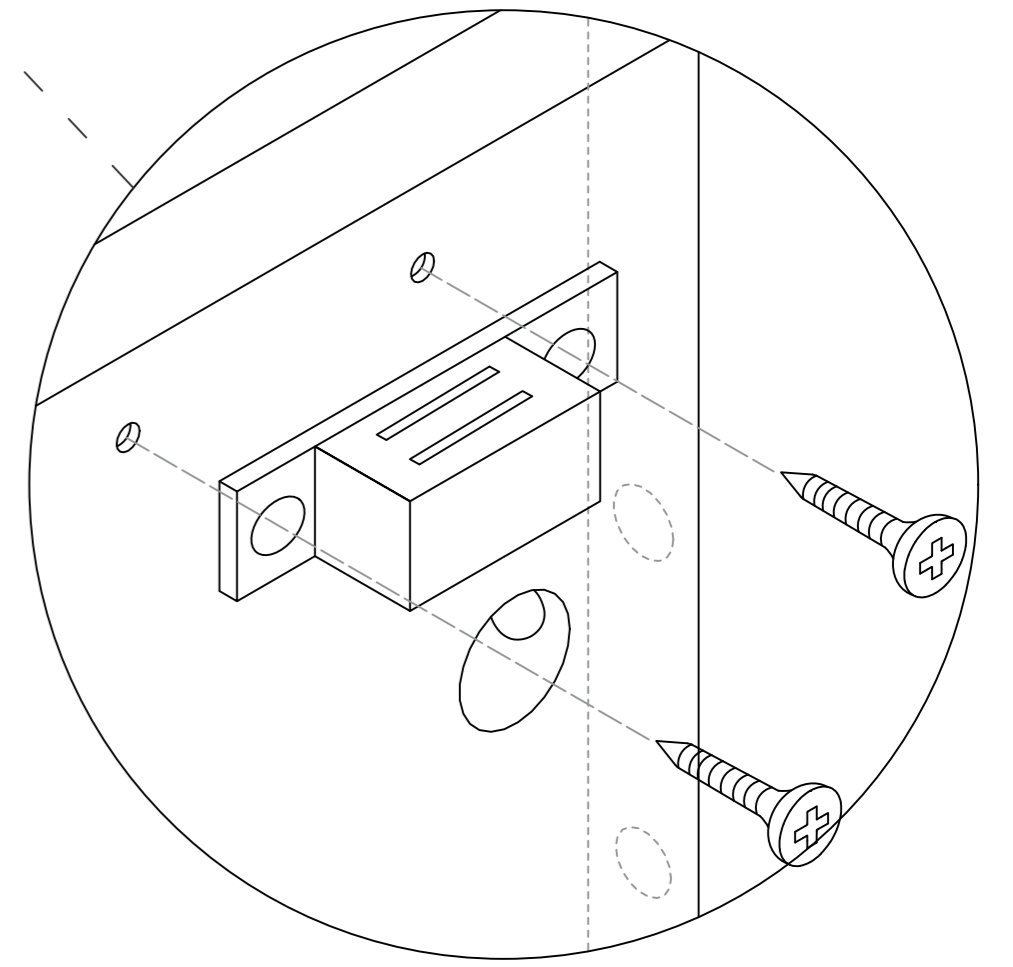


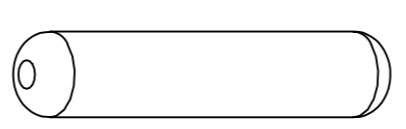
Step 23



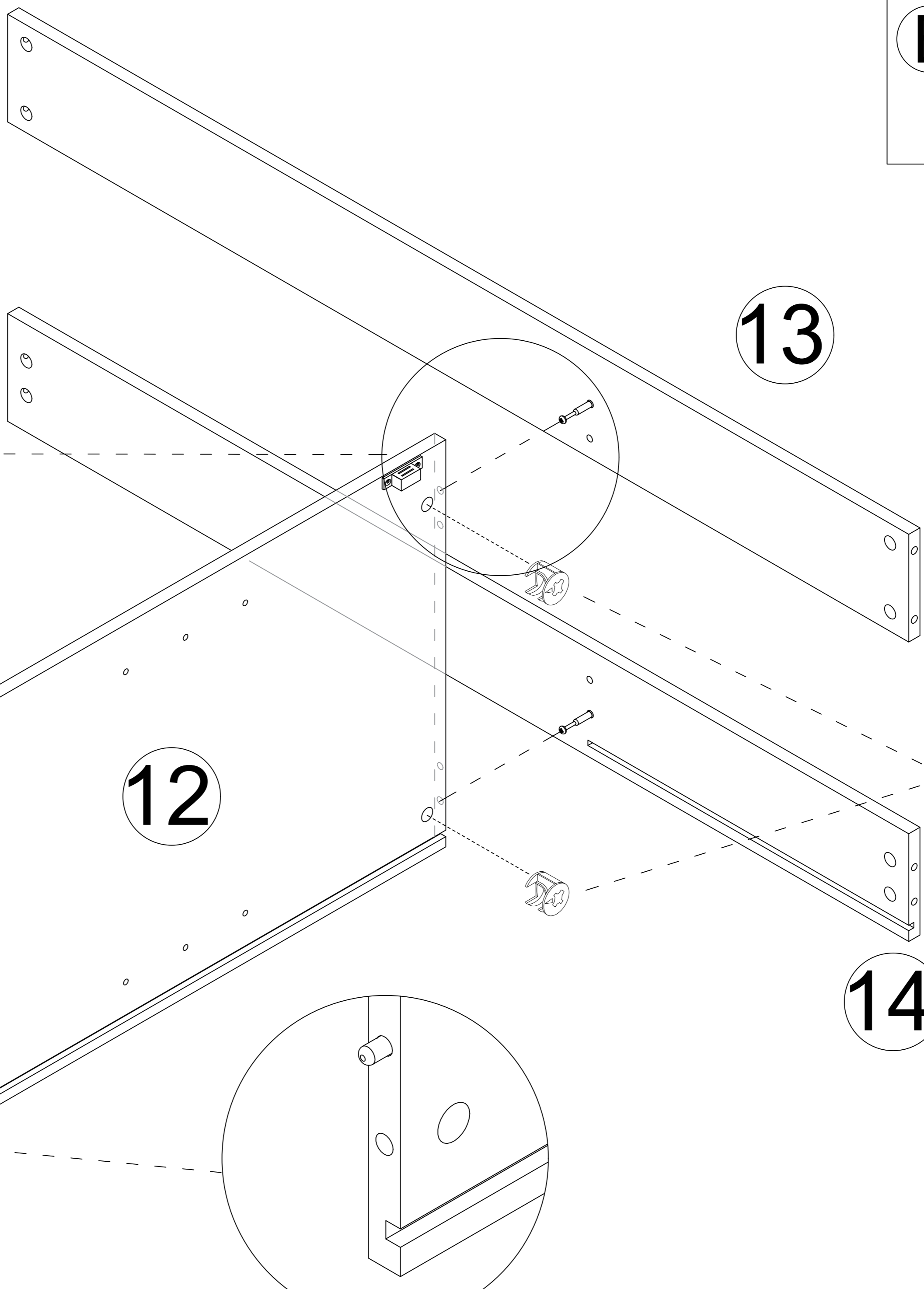
C  x4

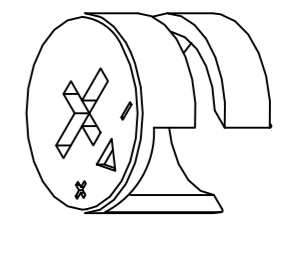
I  x1  x2

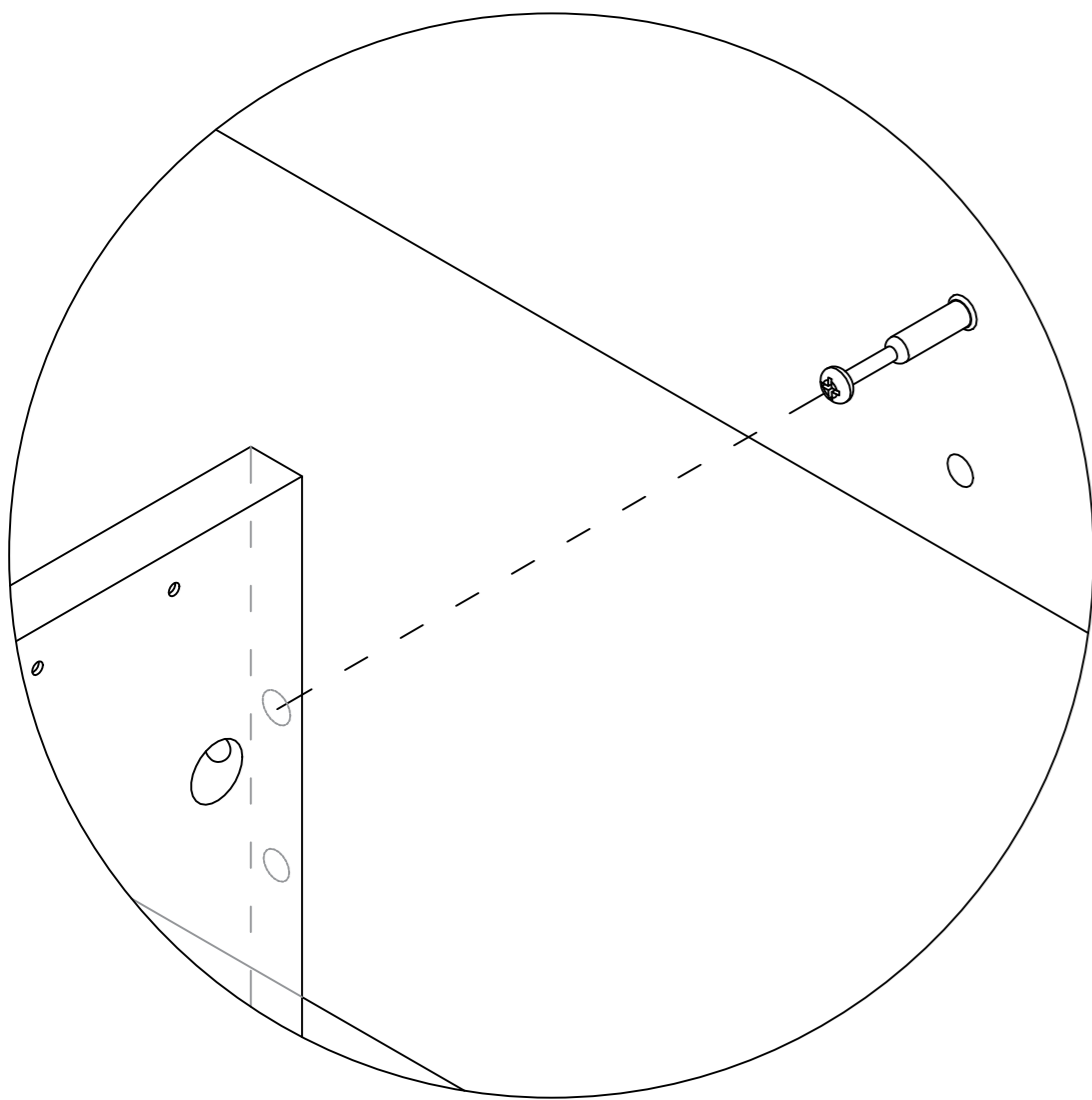


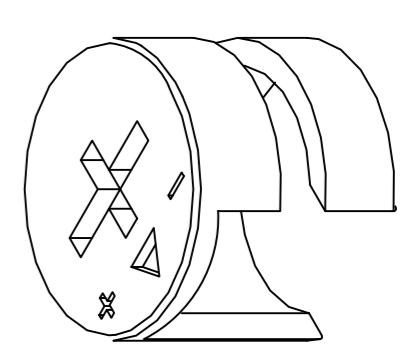
x4 **C** 

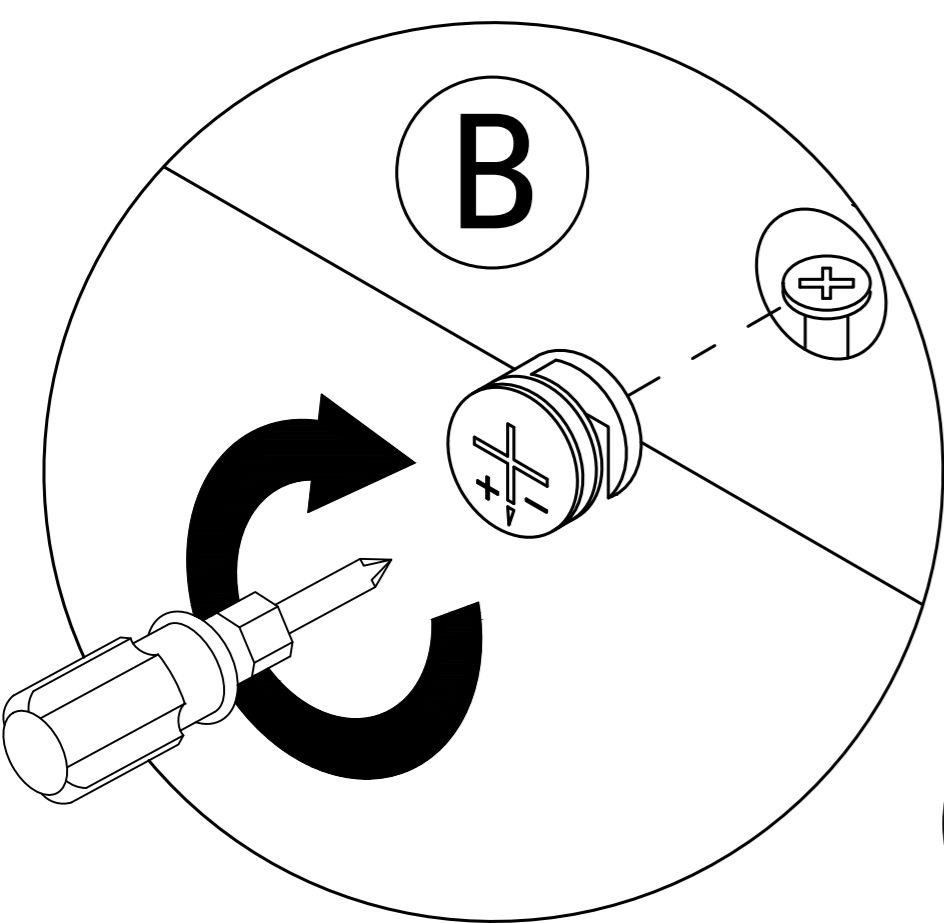
Step 24



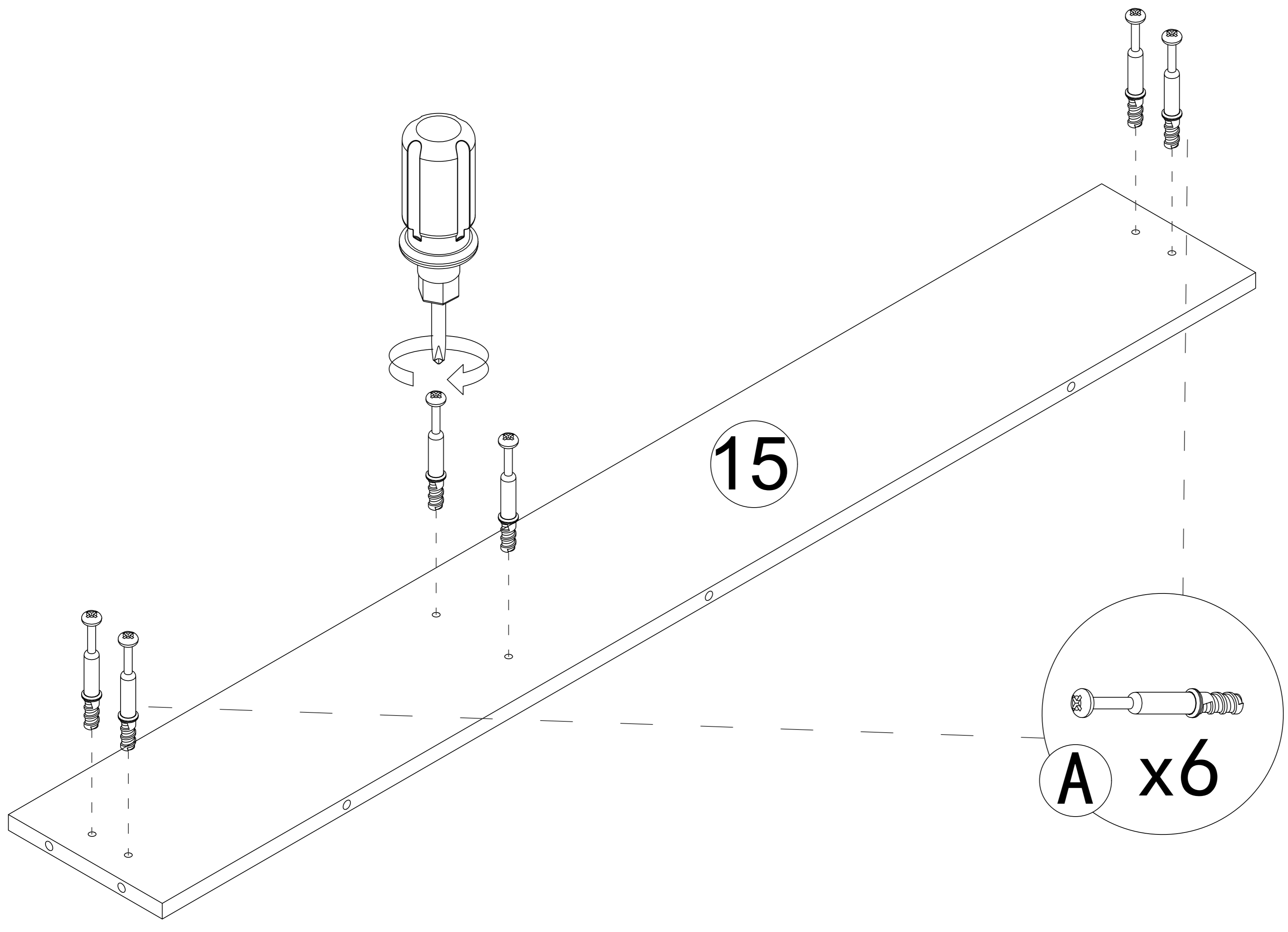
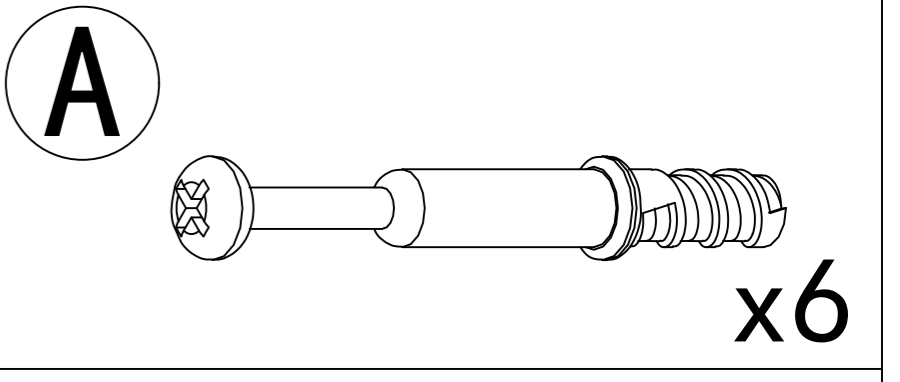
B  x2



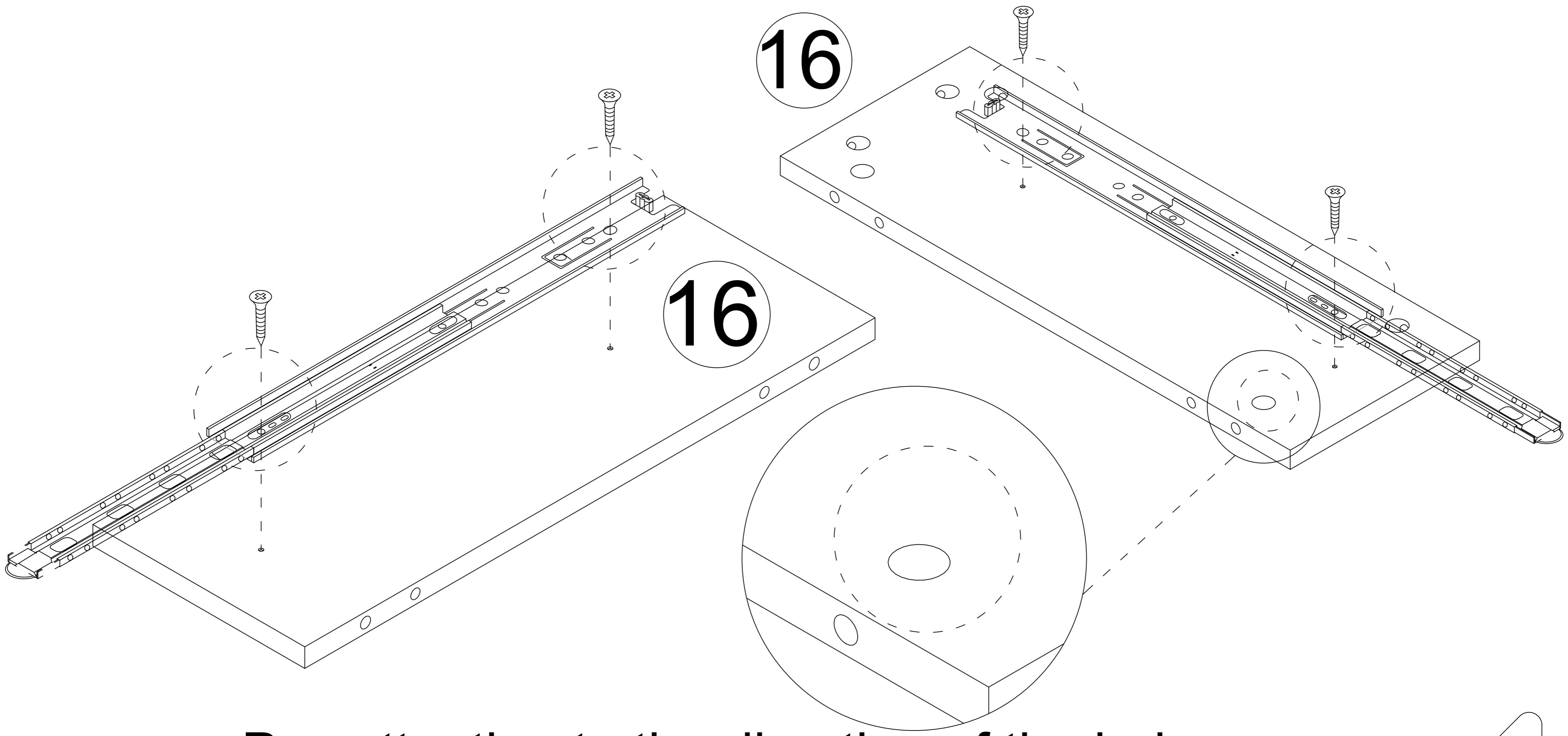
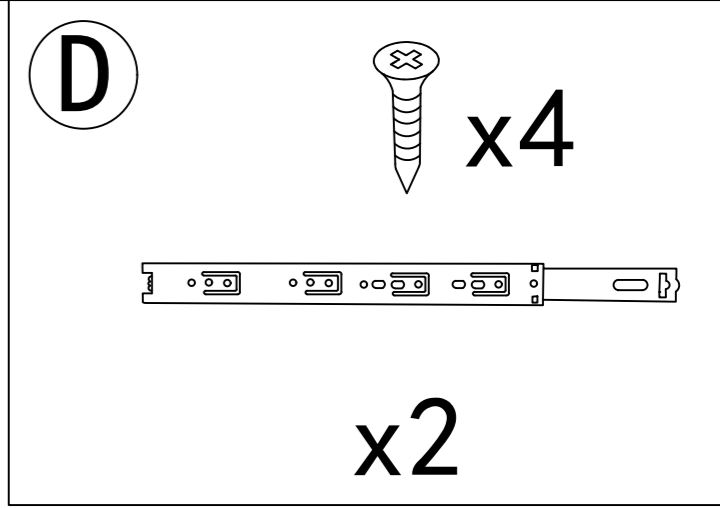
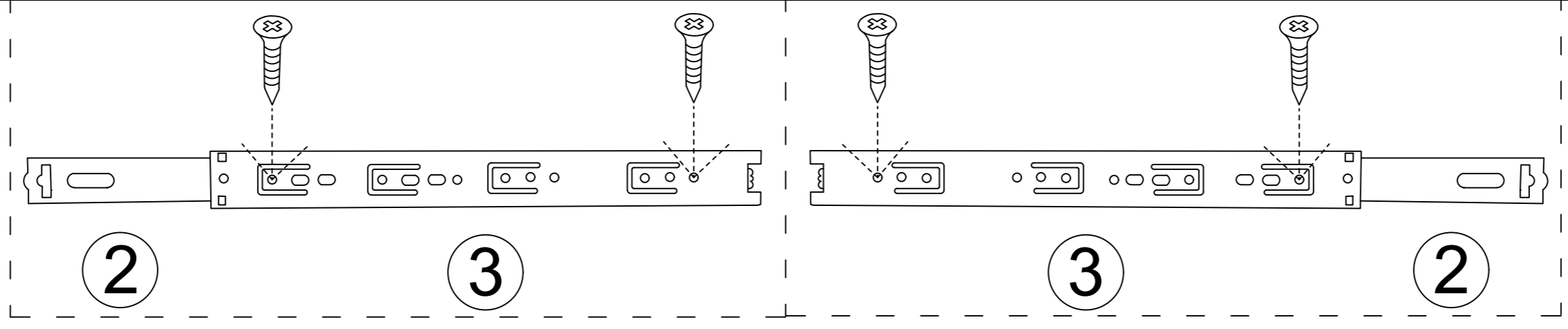
B x2 



Step 25

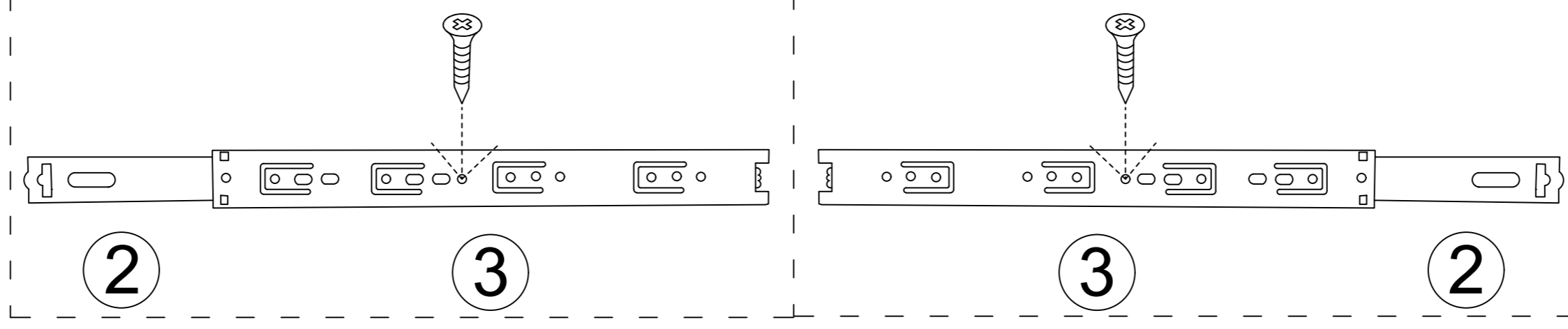



Step 26

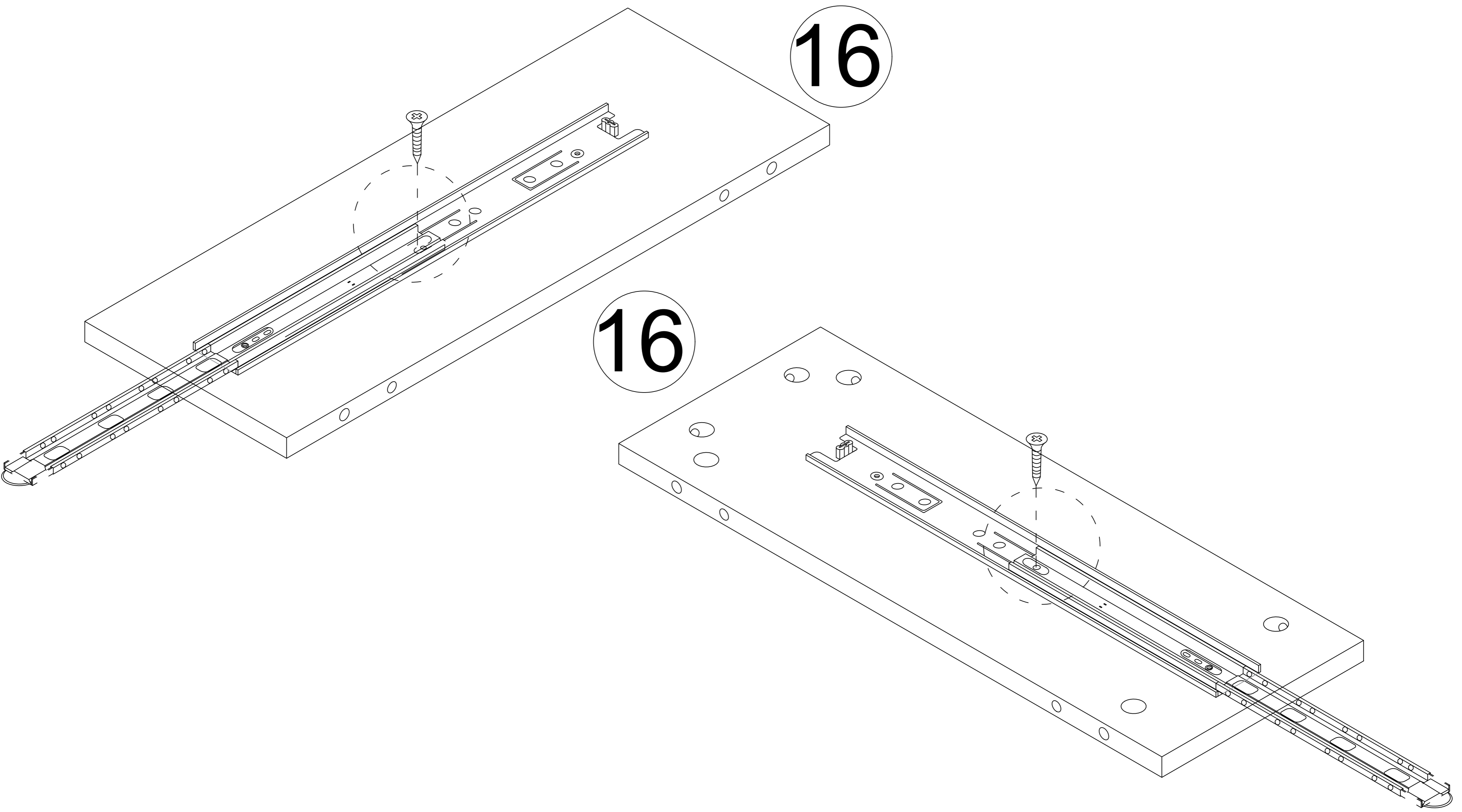


Pay attention to the direction of the hole
These two guide rails are installed
on both sides of No.16 board

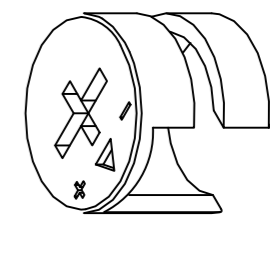
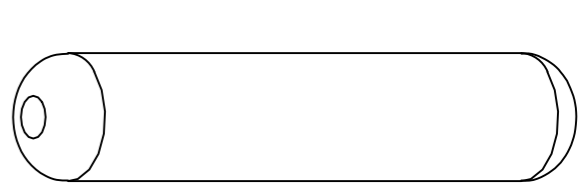
Step 27

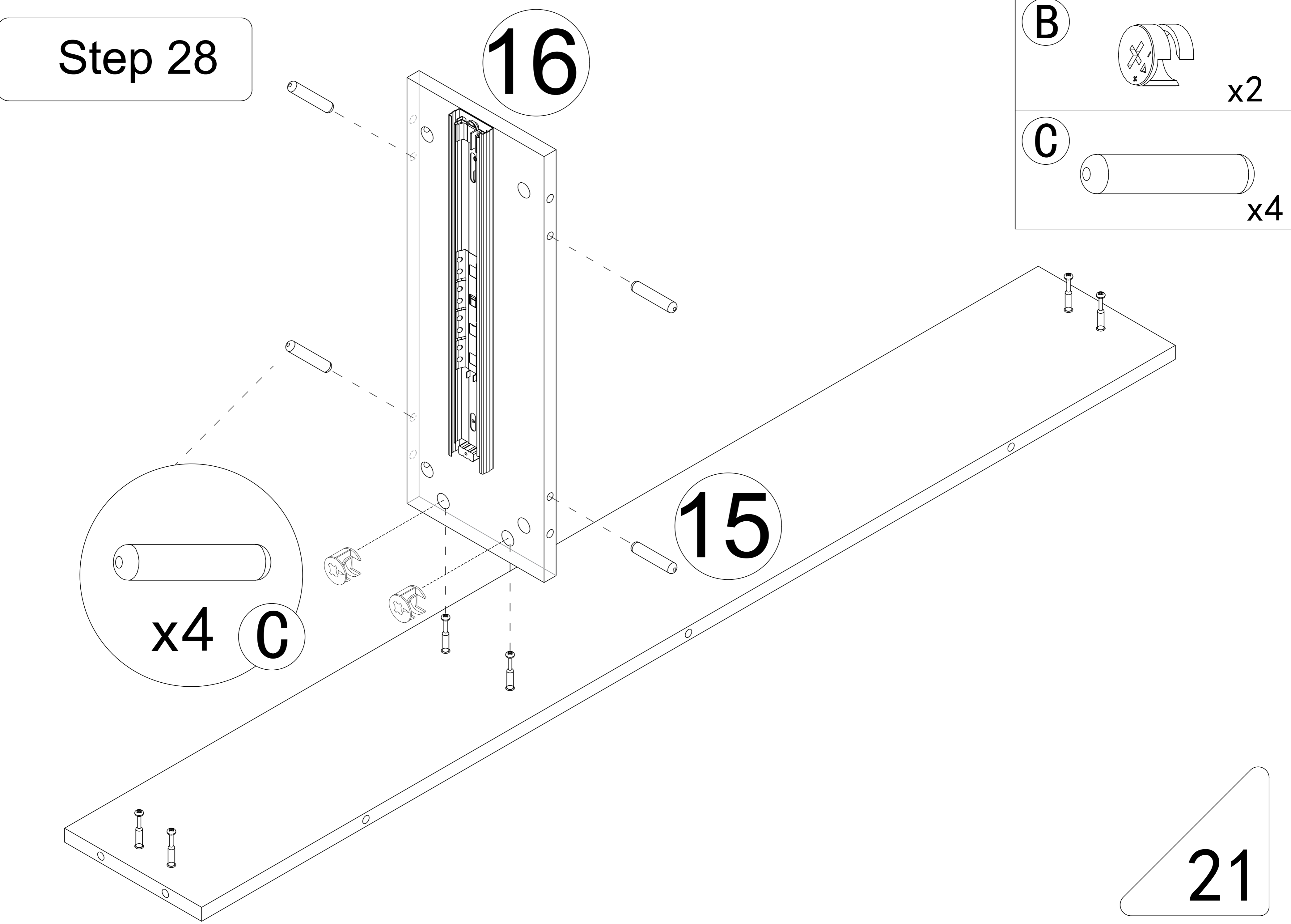


D  x2

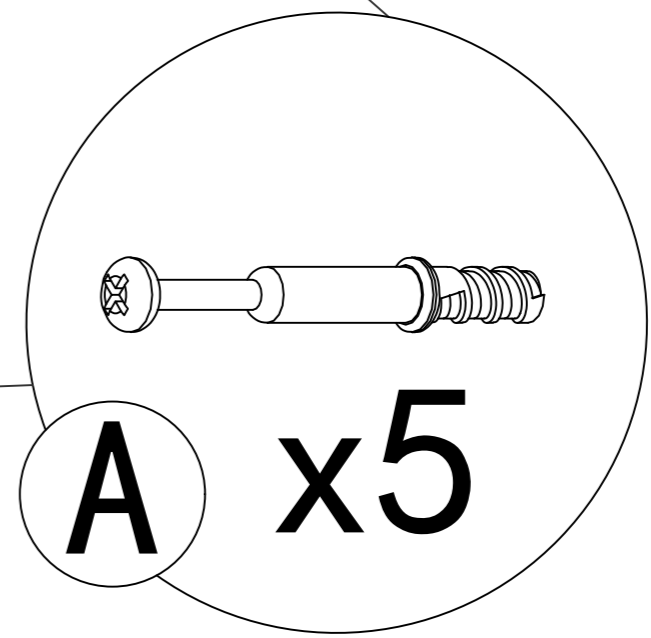
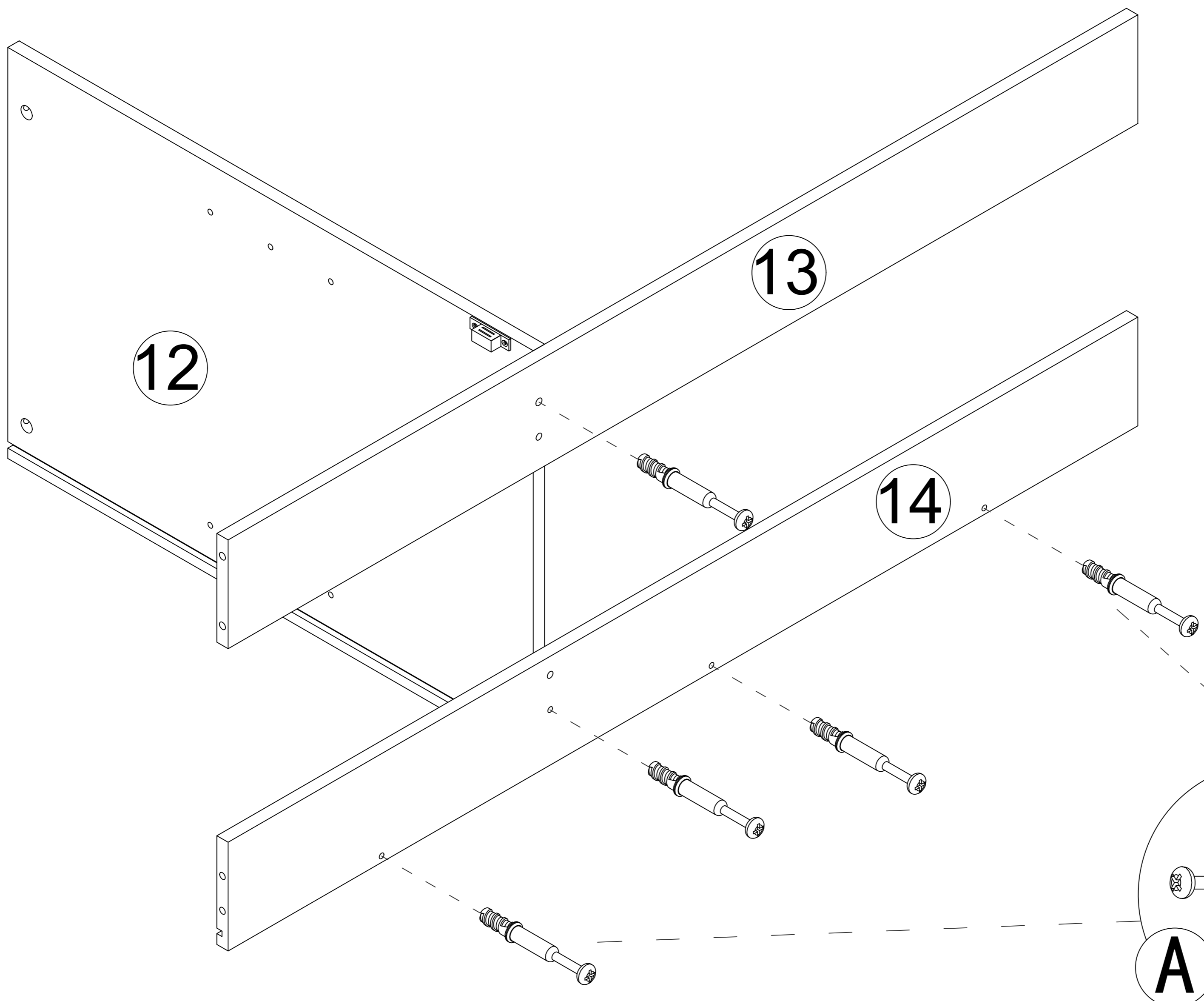
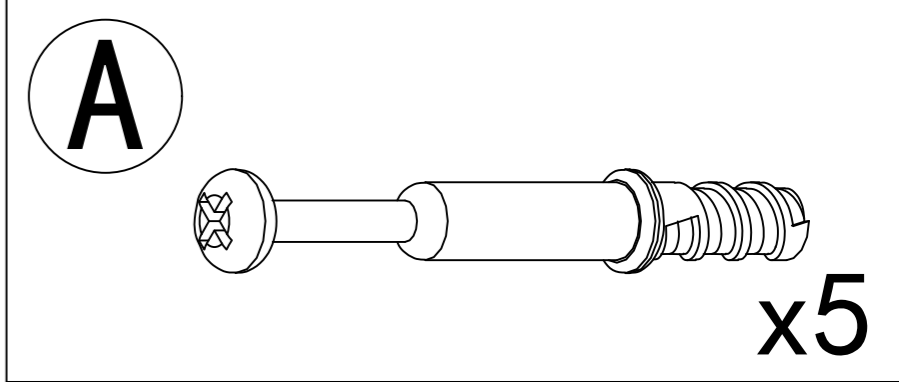


Step 28

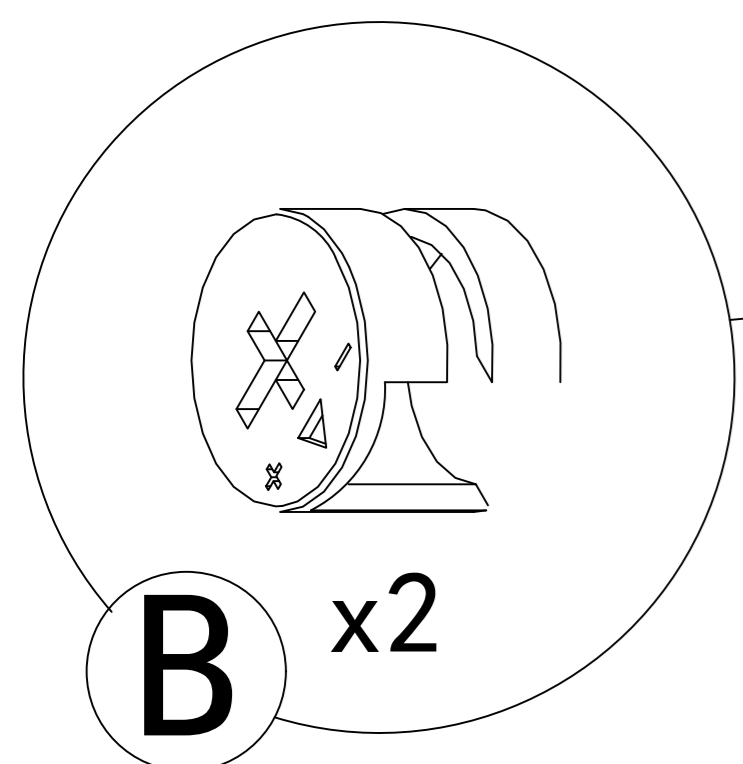
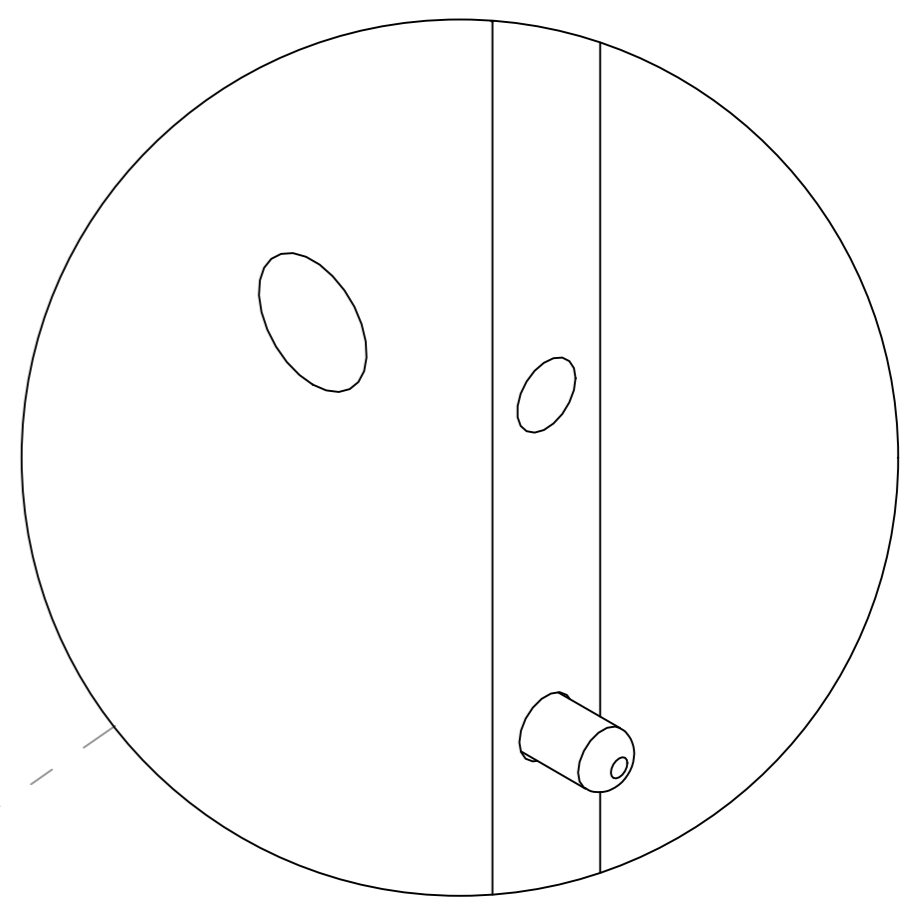
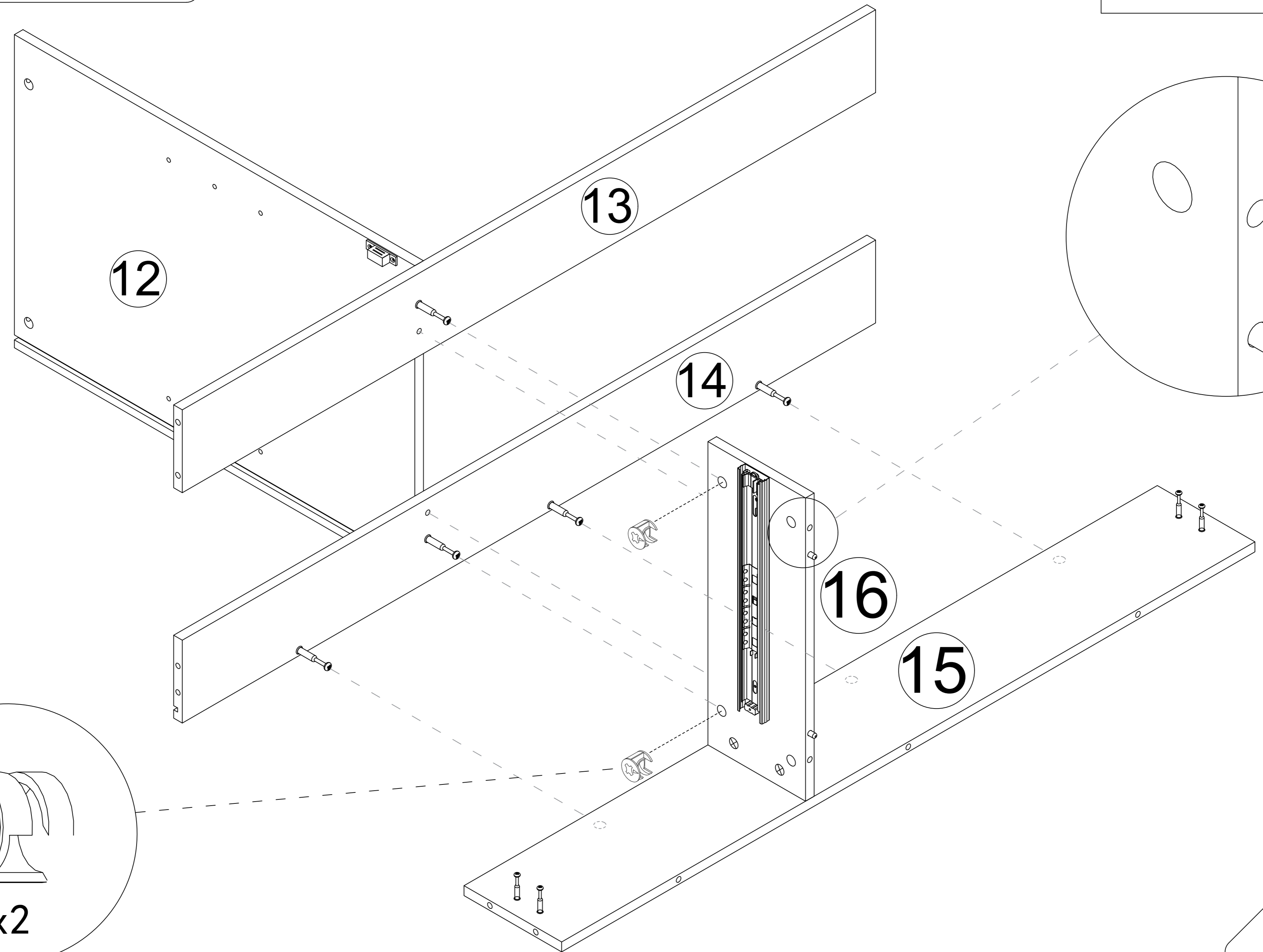
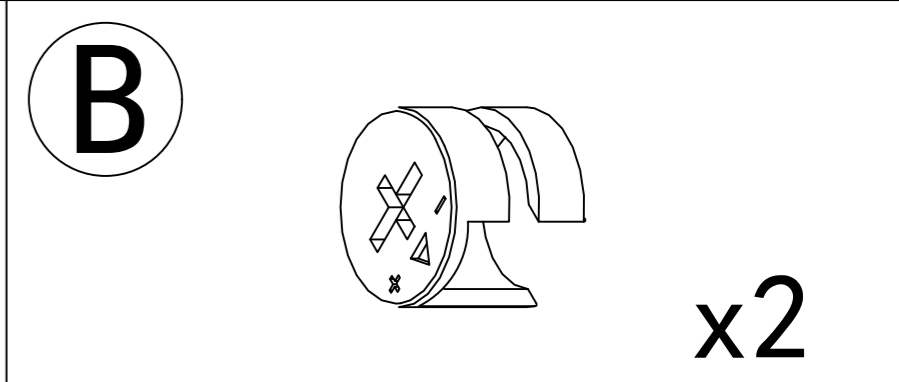
B  x2
C  x4



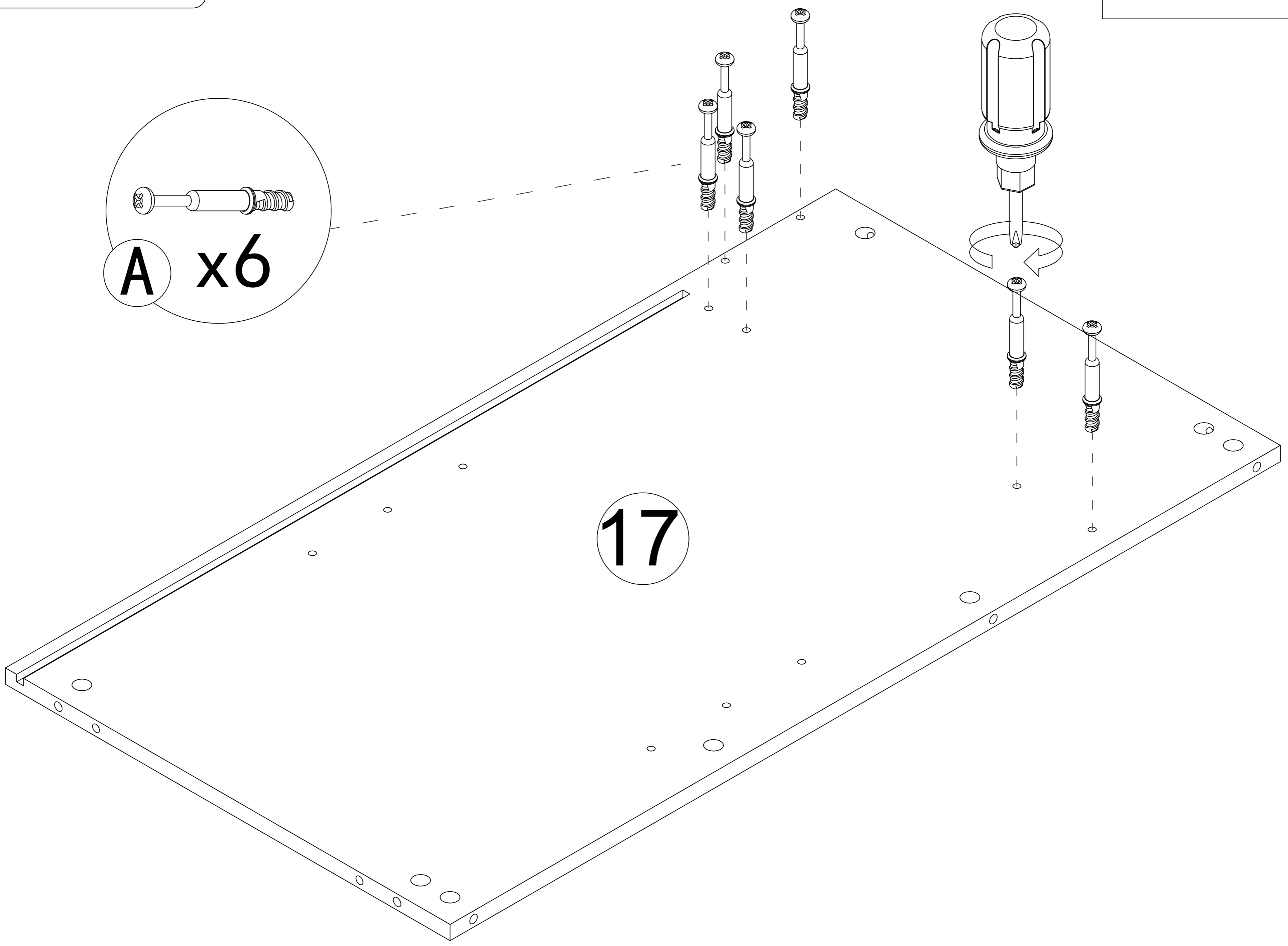
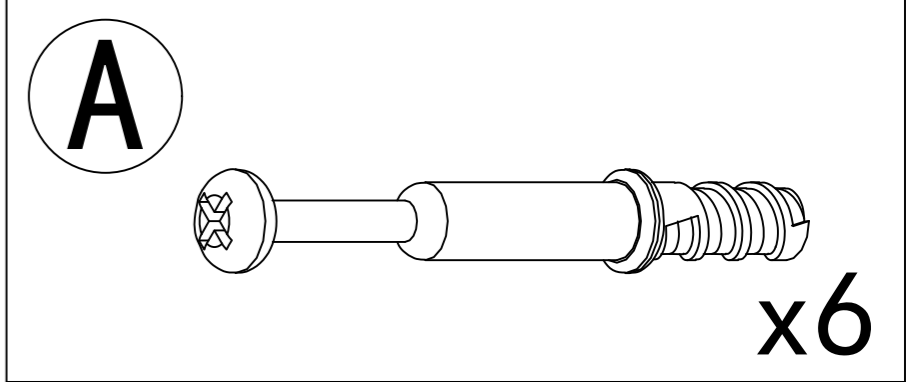
Step 29



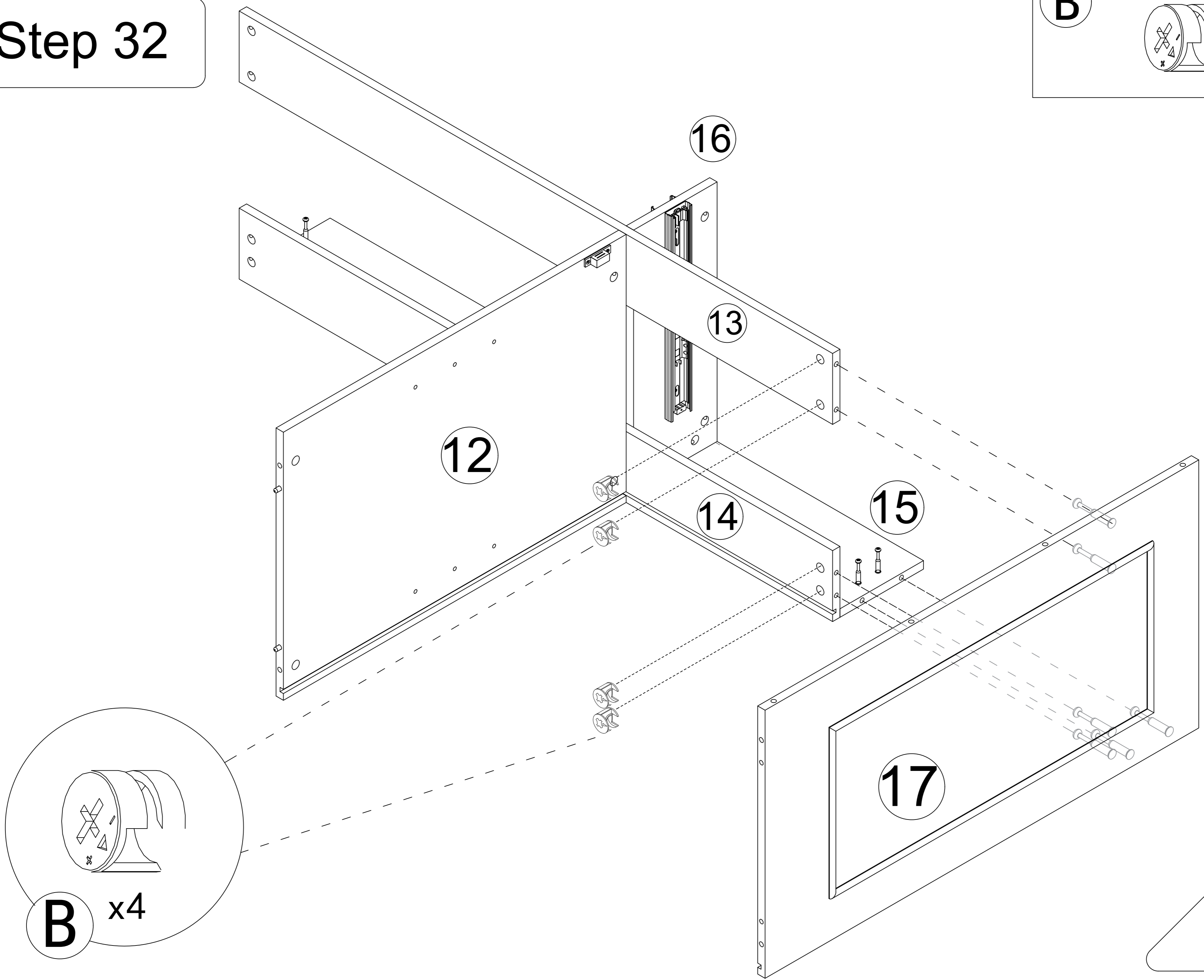
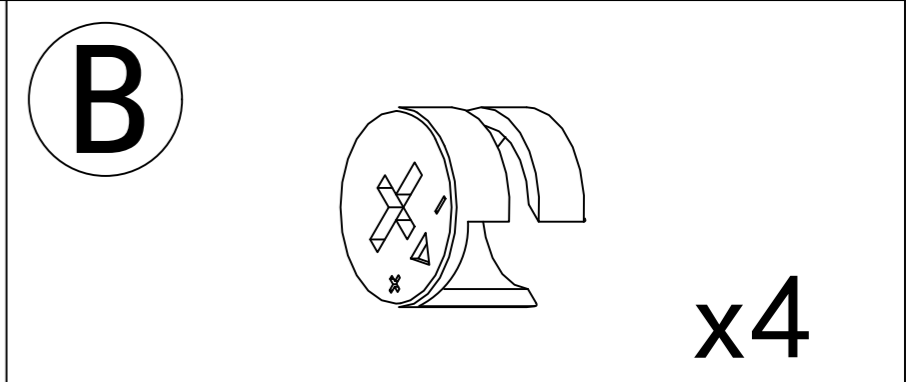
Step 30



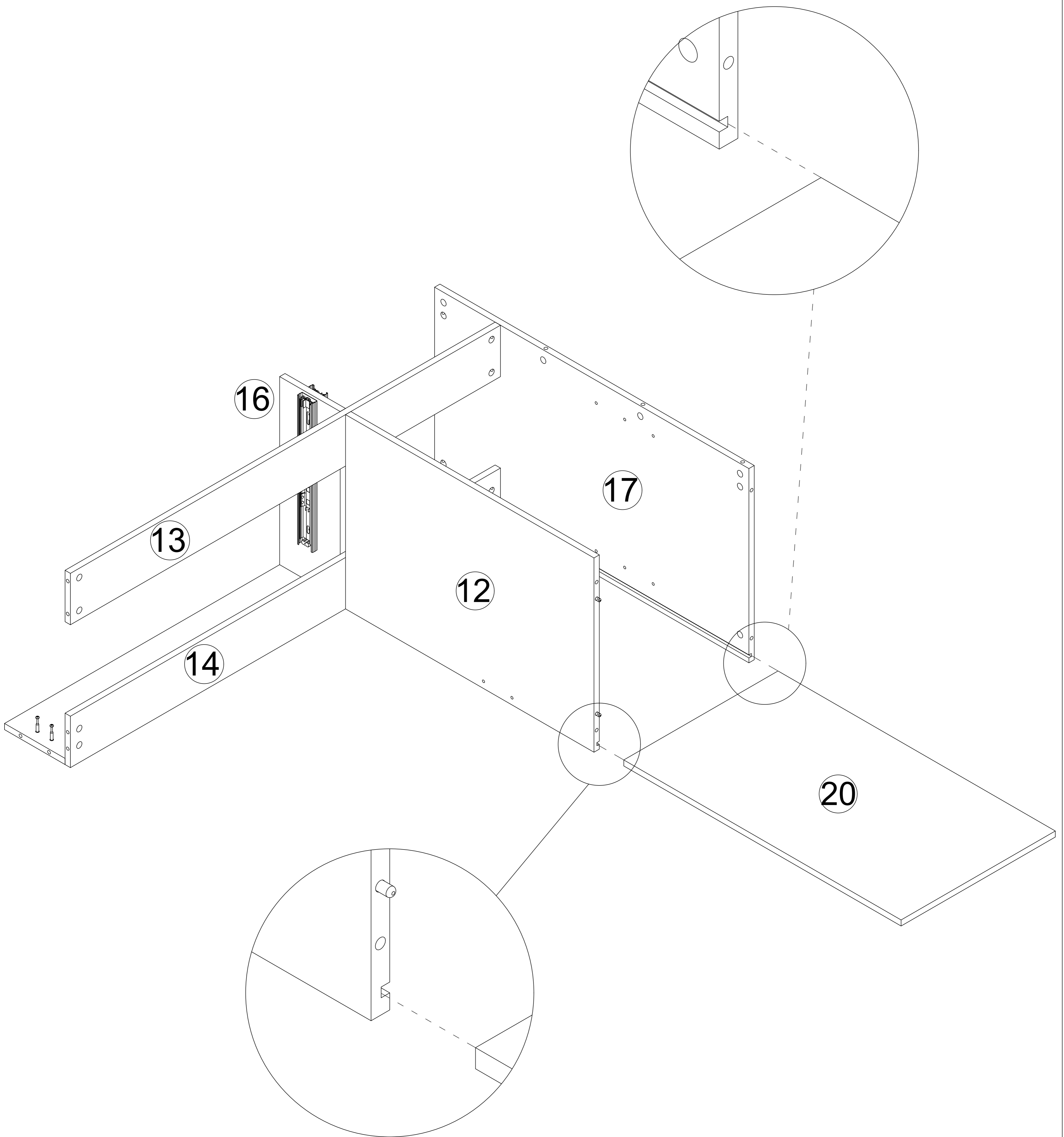
Step 31



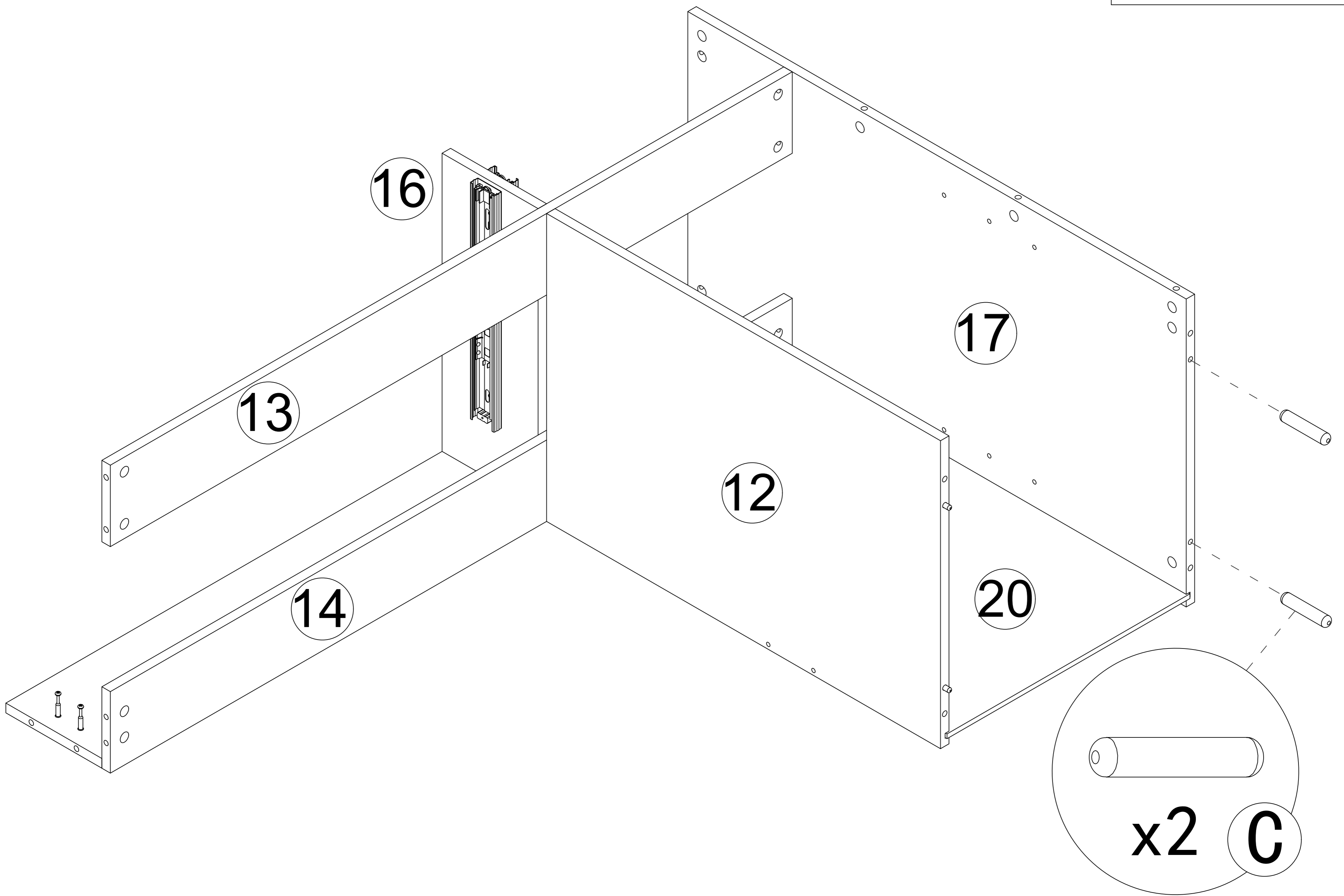
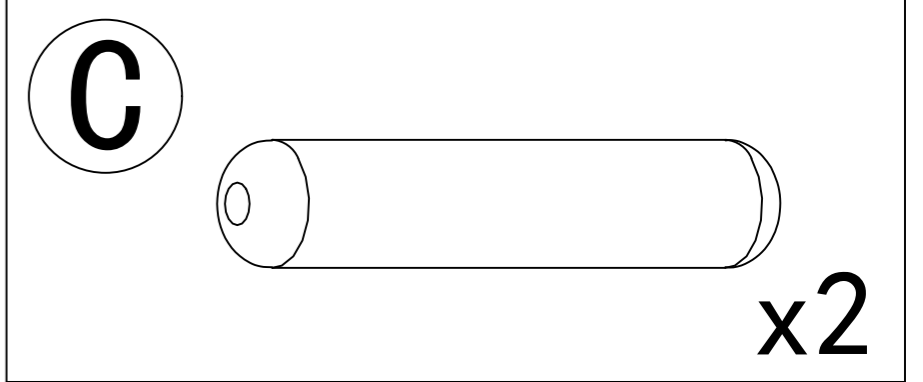
Step 32



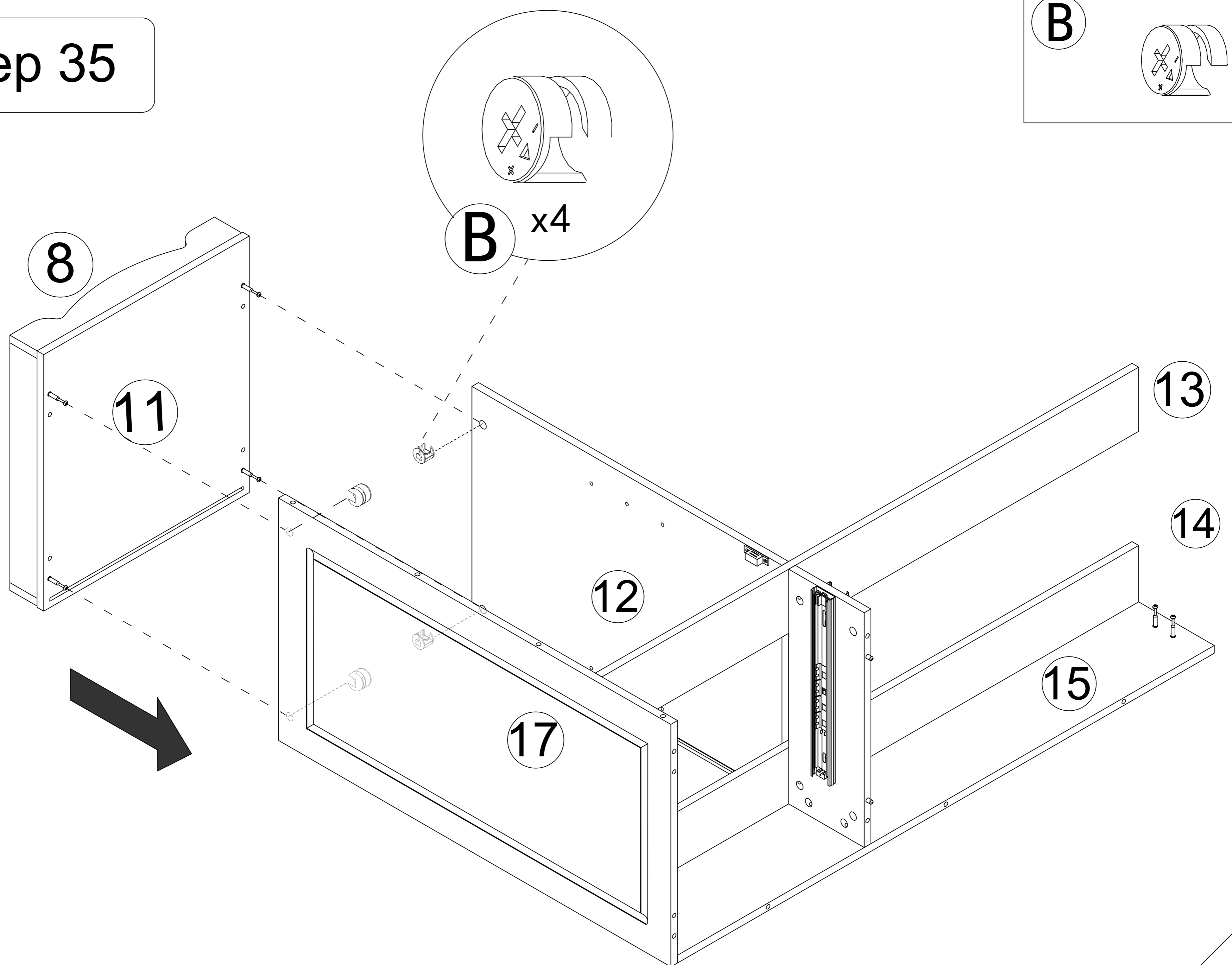
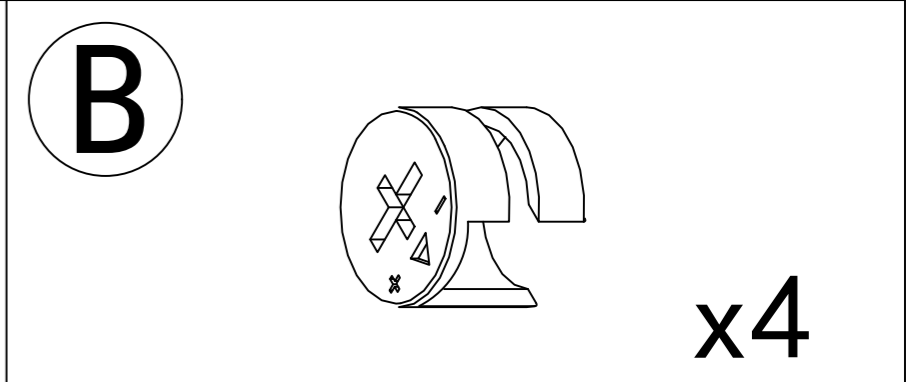
Step 33



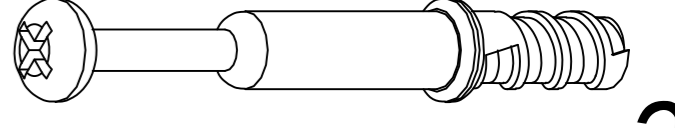
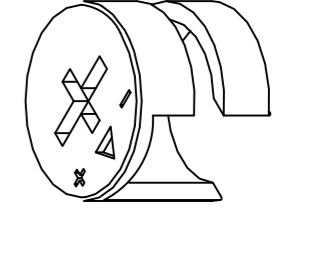
Step 34

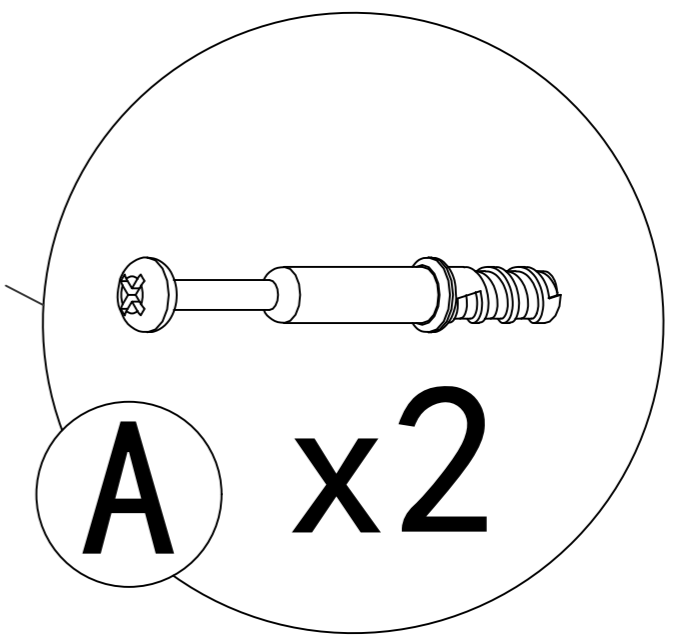
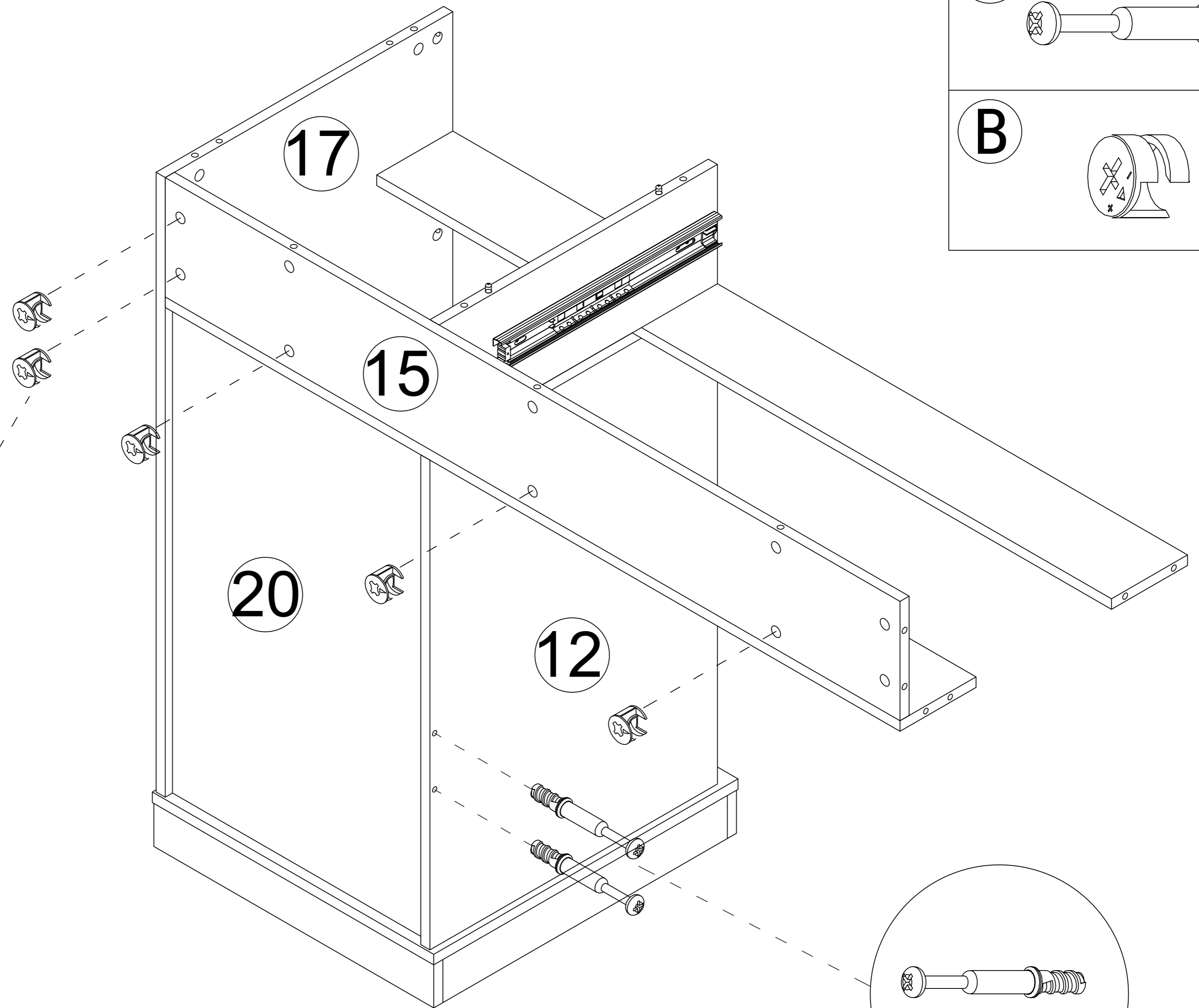
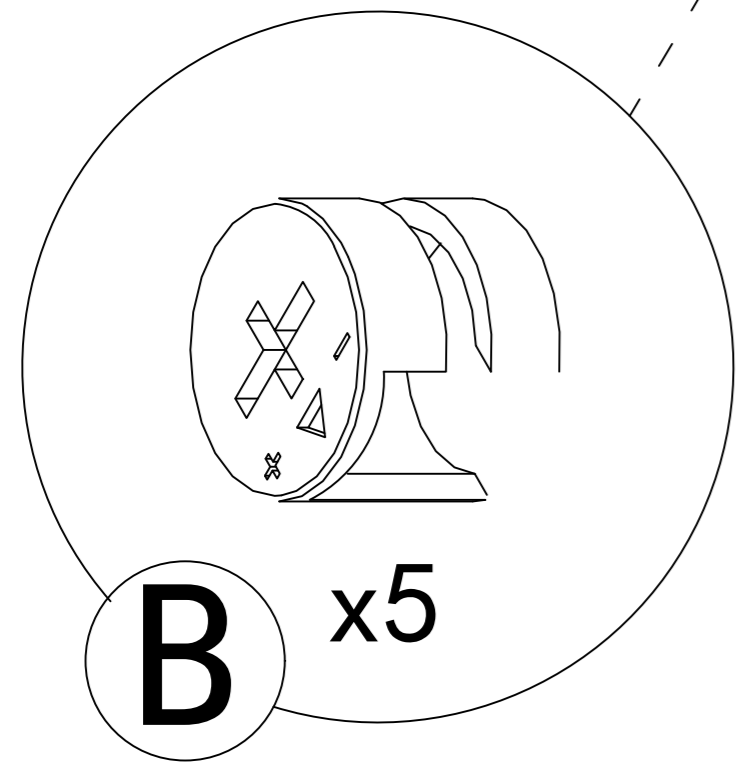


Step 35

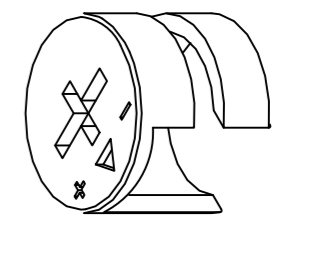


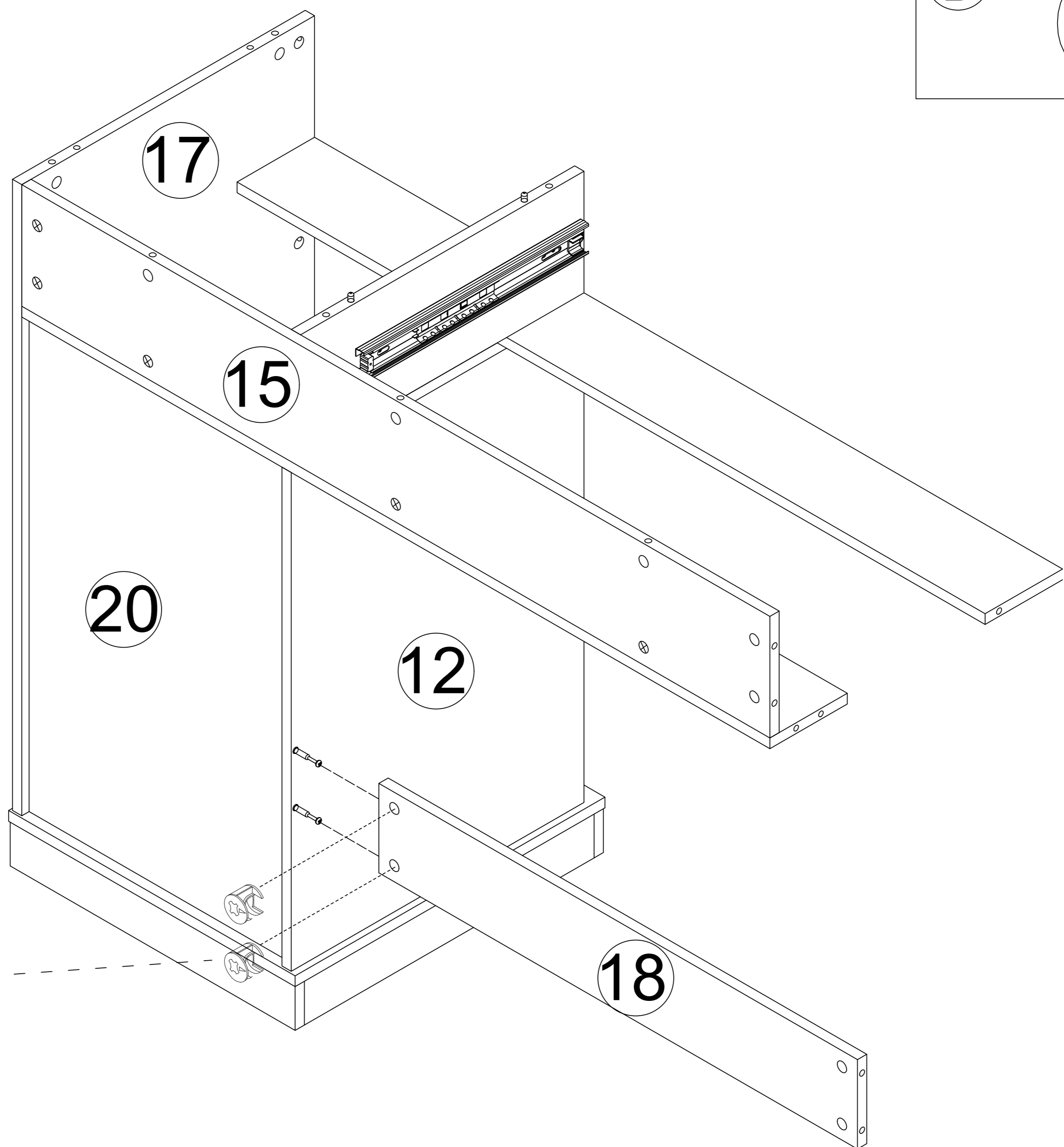
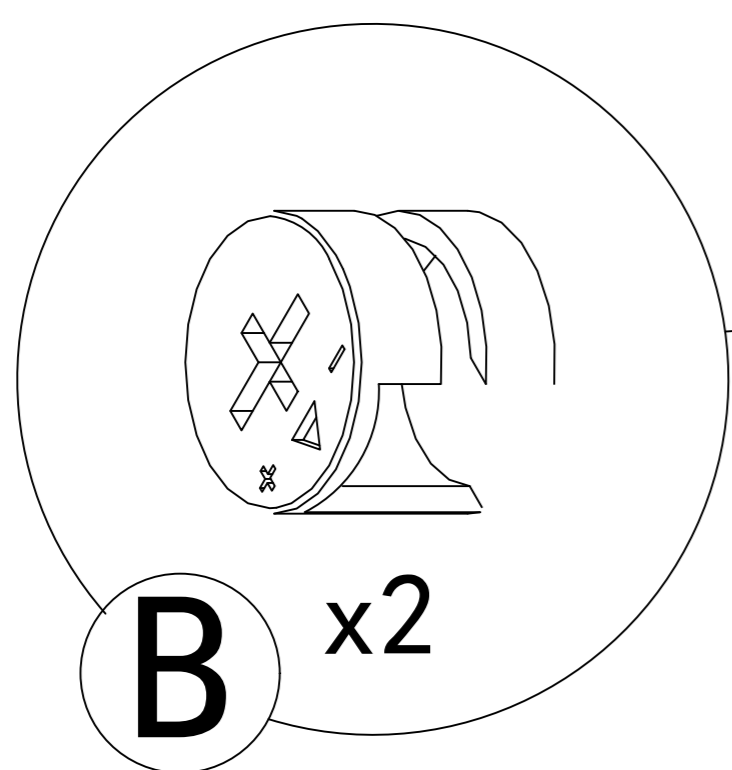
Step 36

- A**  x2
- B**  x5

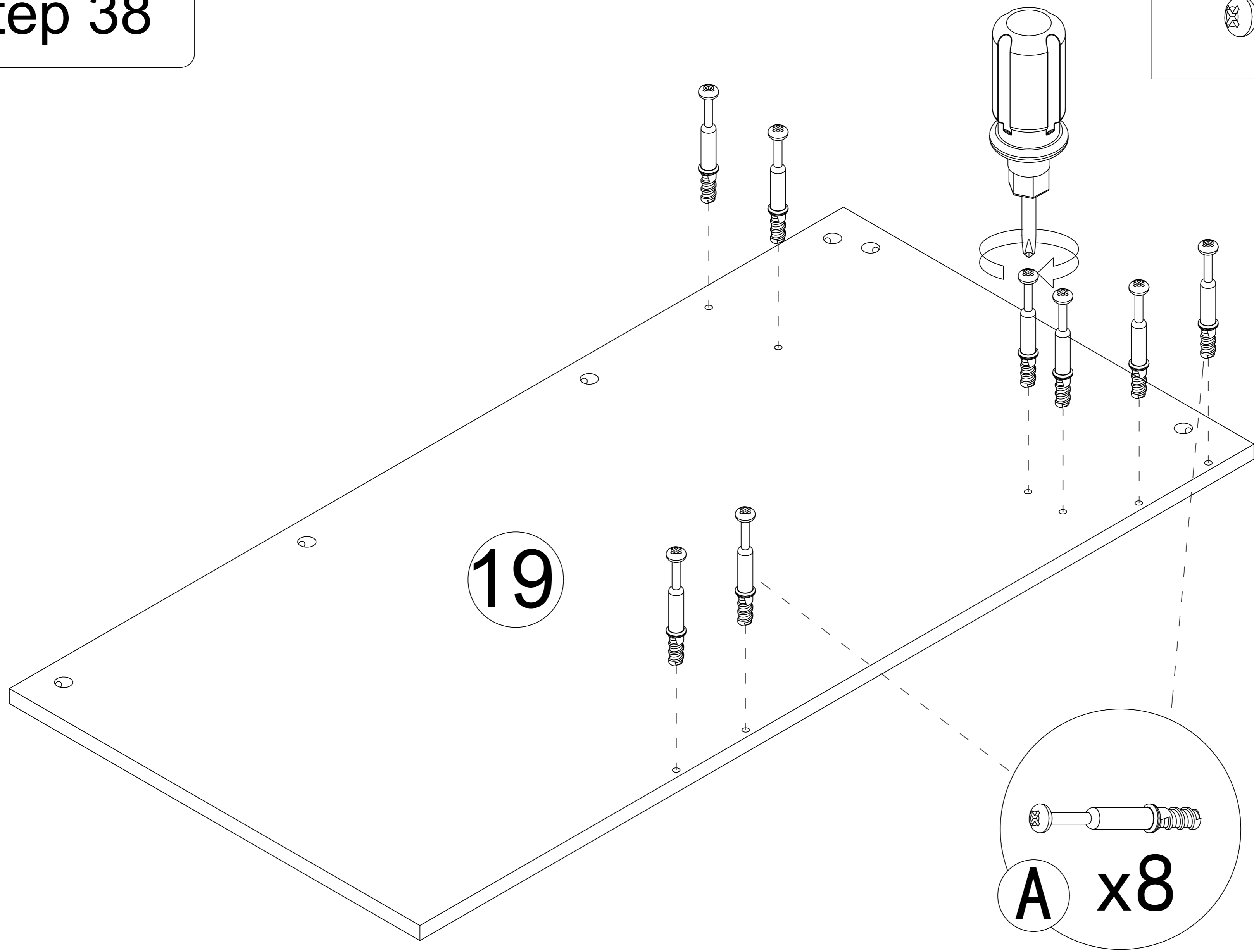


Step 37

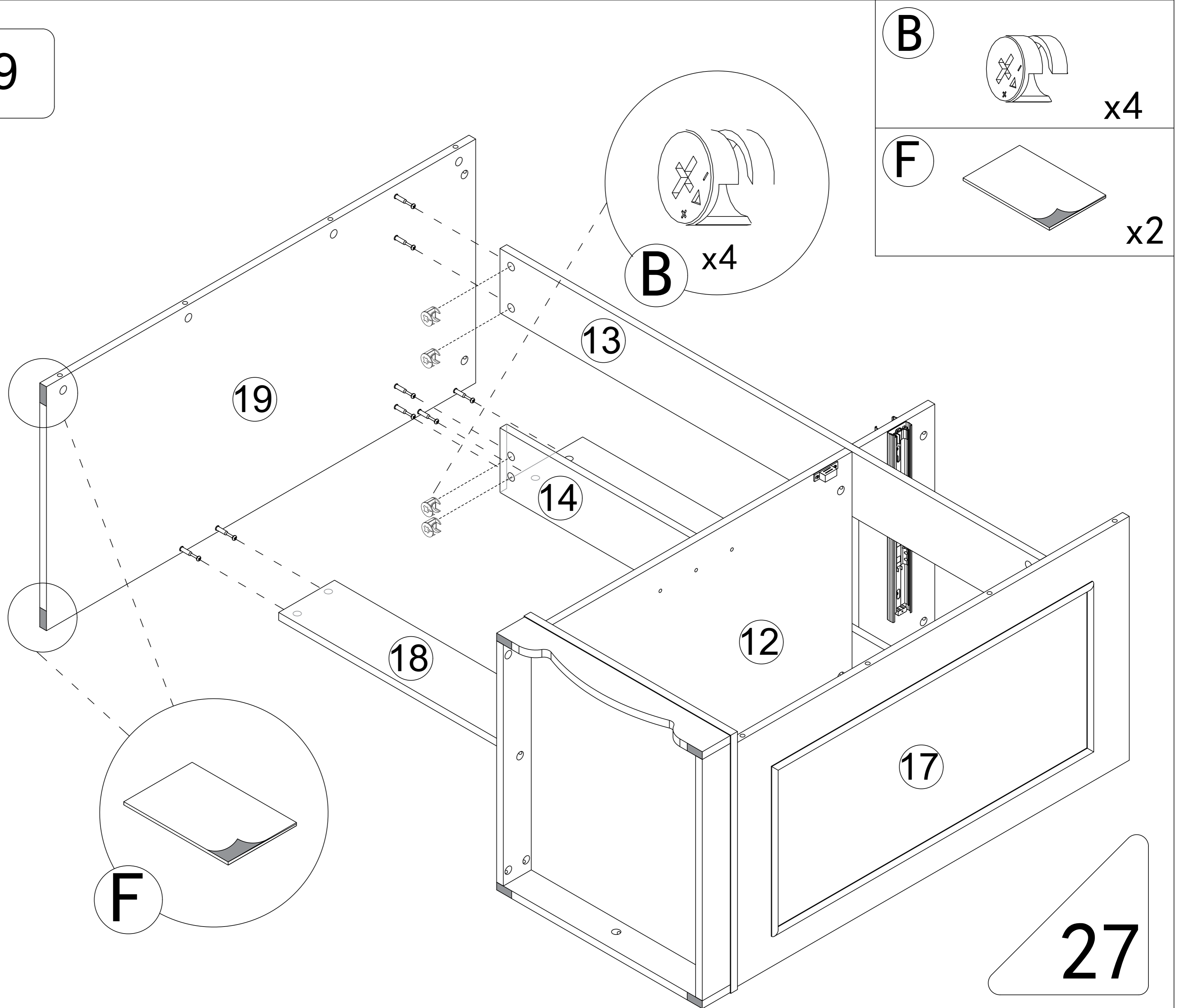
- B**  x2



Step 38

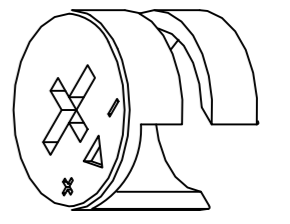


Step 39

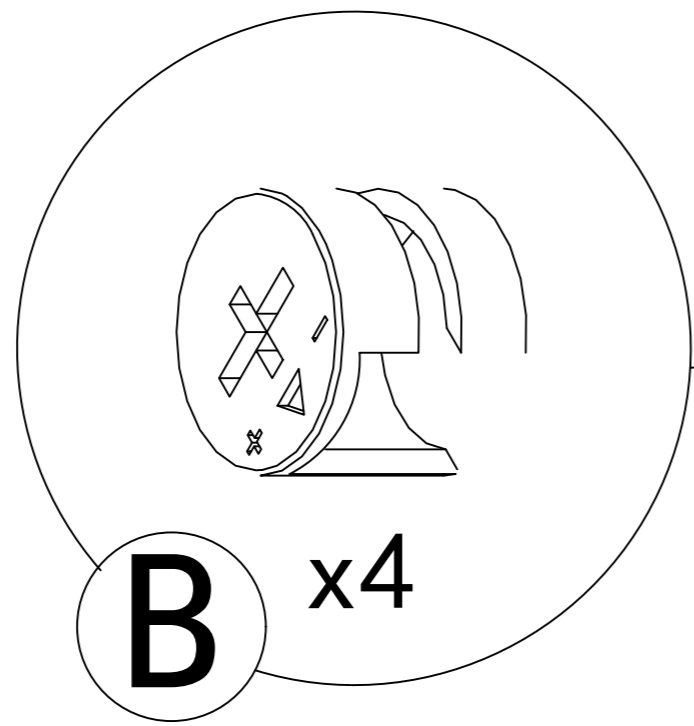
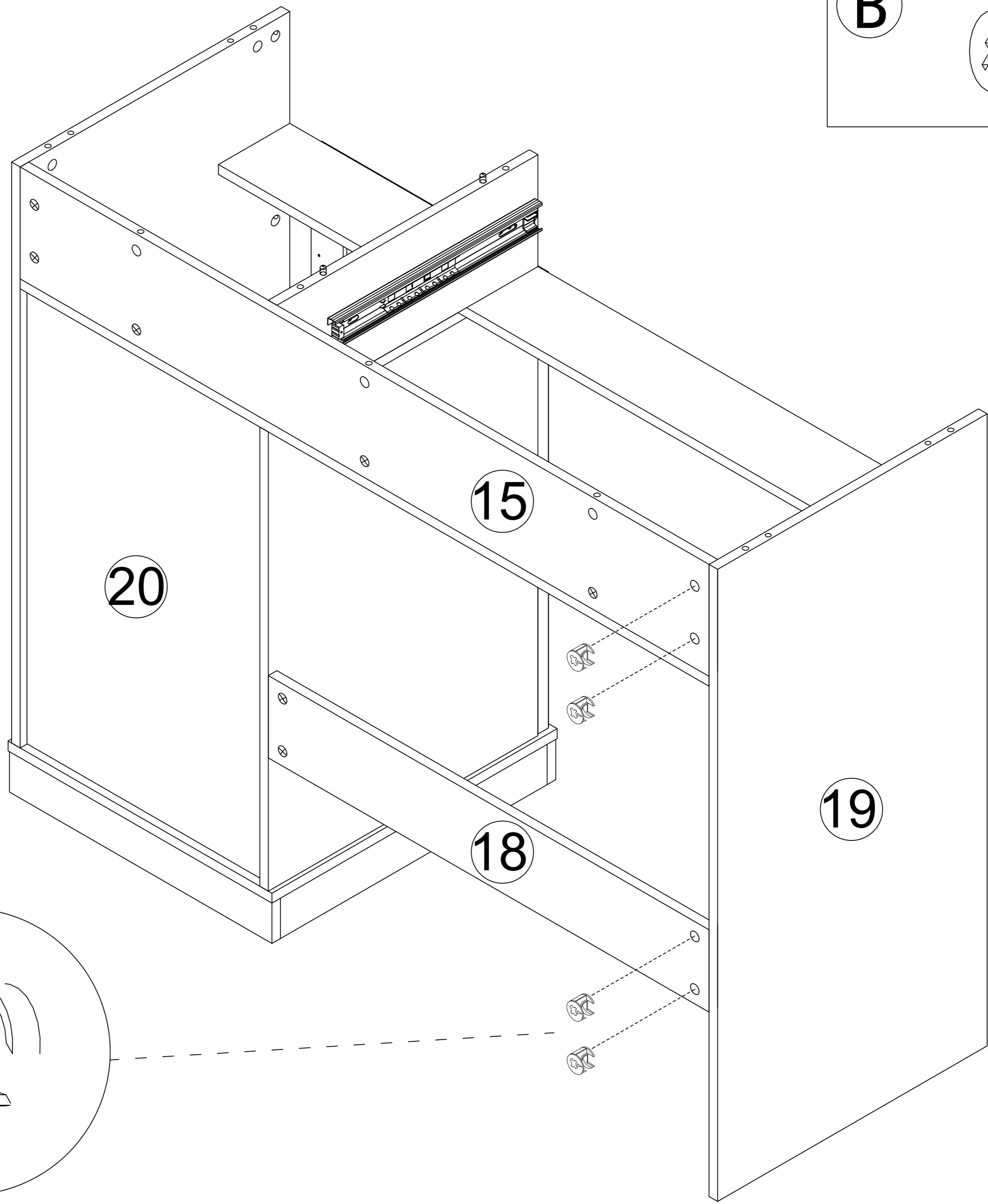


Step 40

B



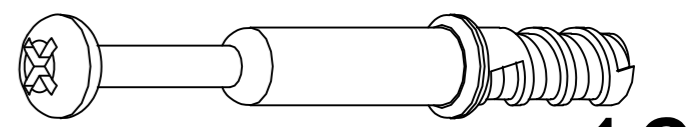
x4



B x4

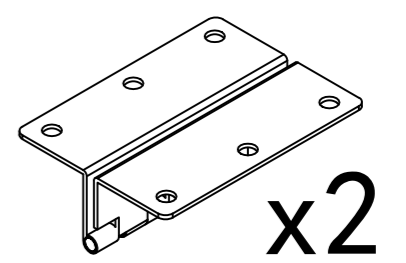
Step 41

A



x12

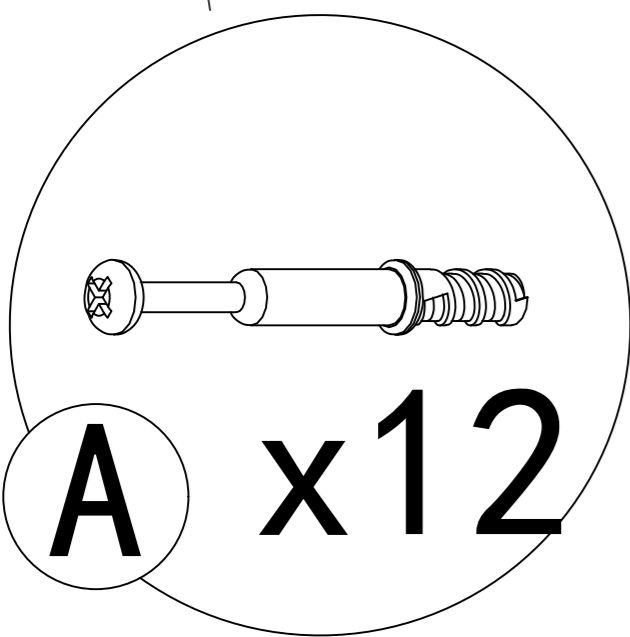
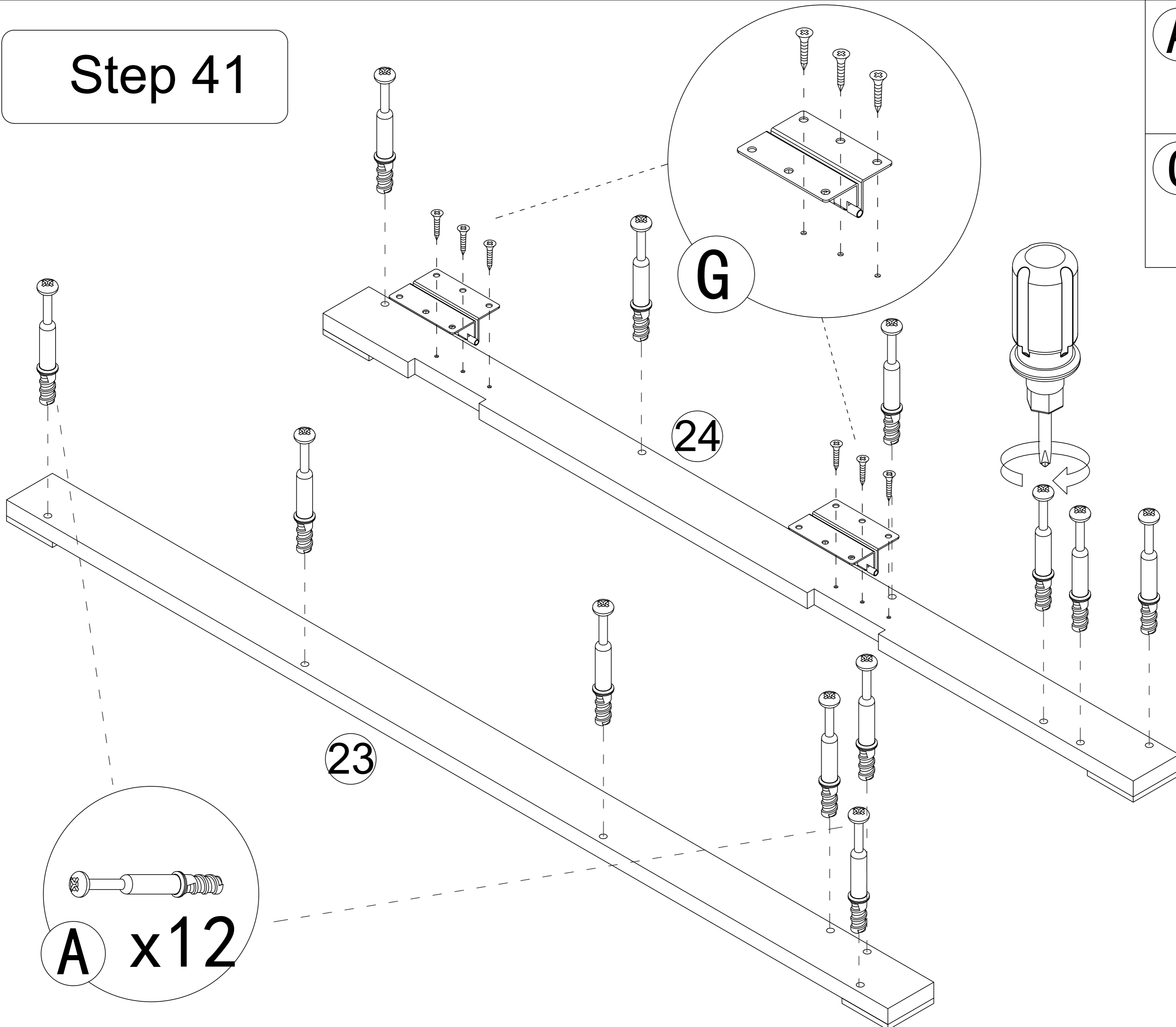
G



x2



x6

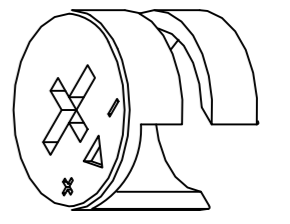


A x12

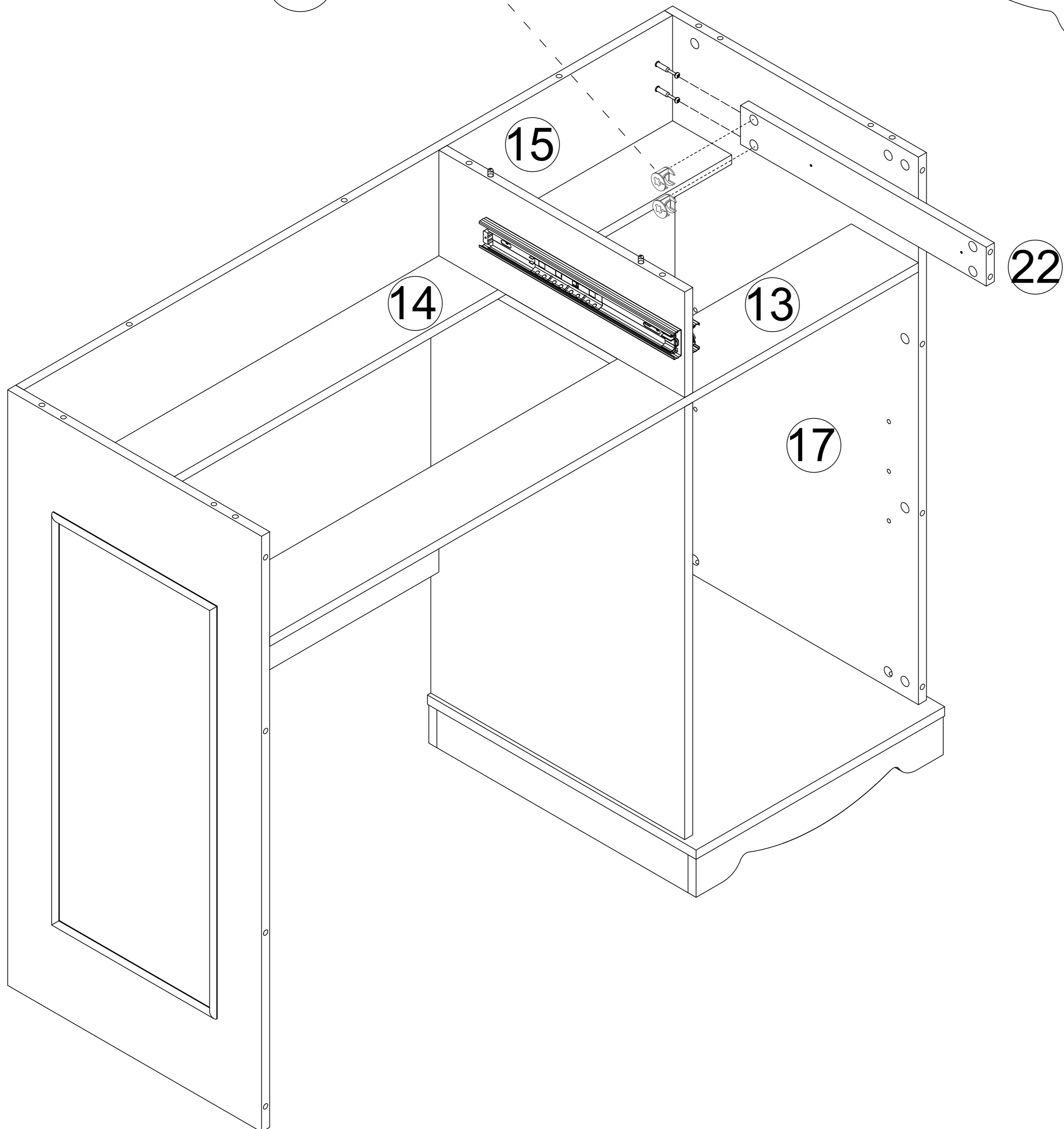
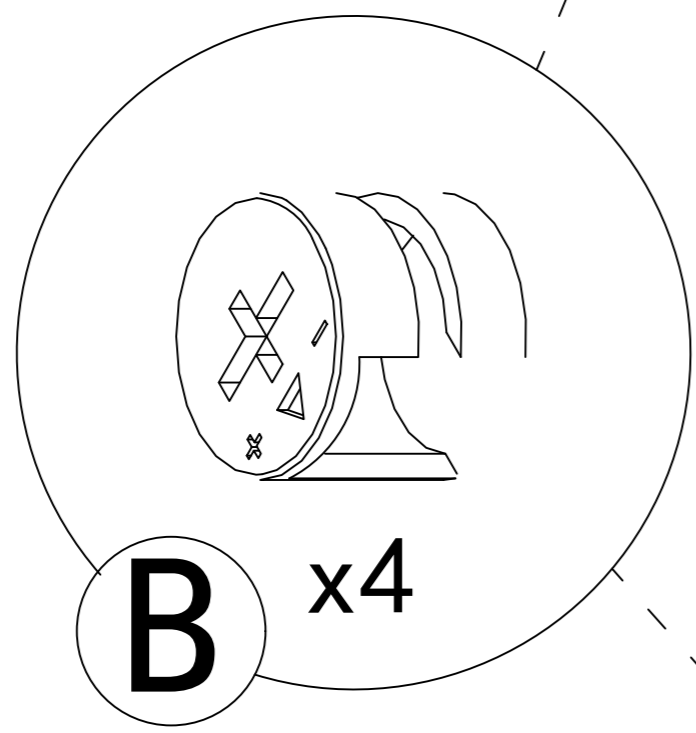
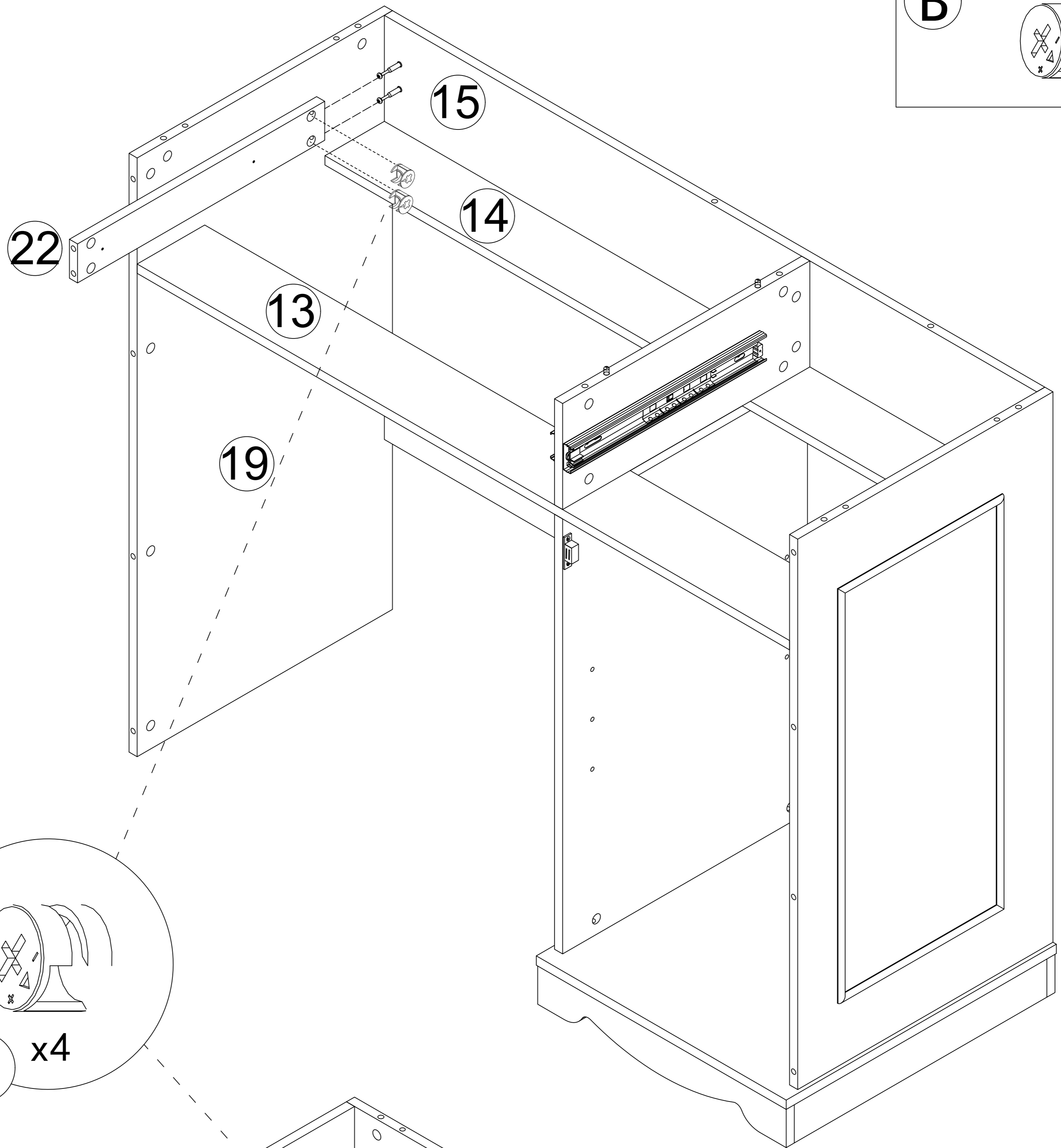
28

Step 42

B

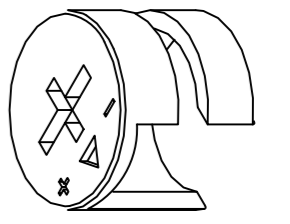


x4

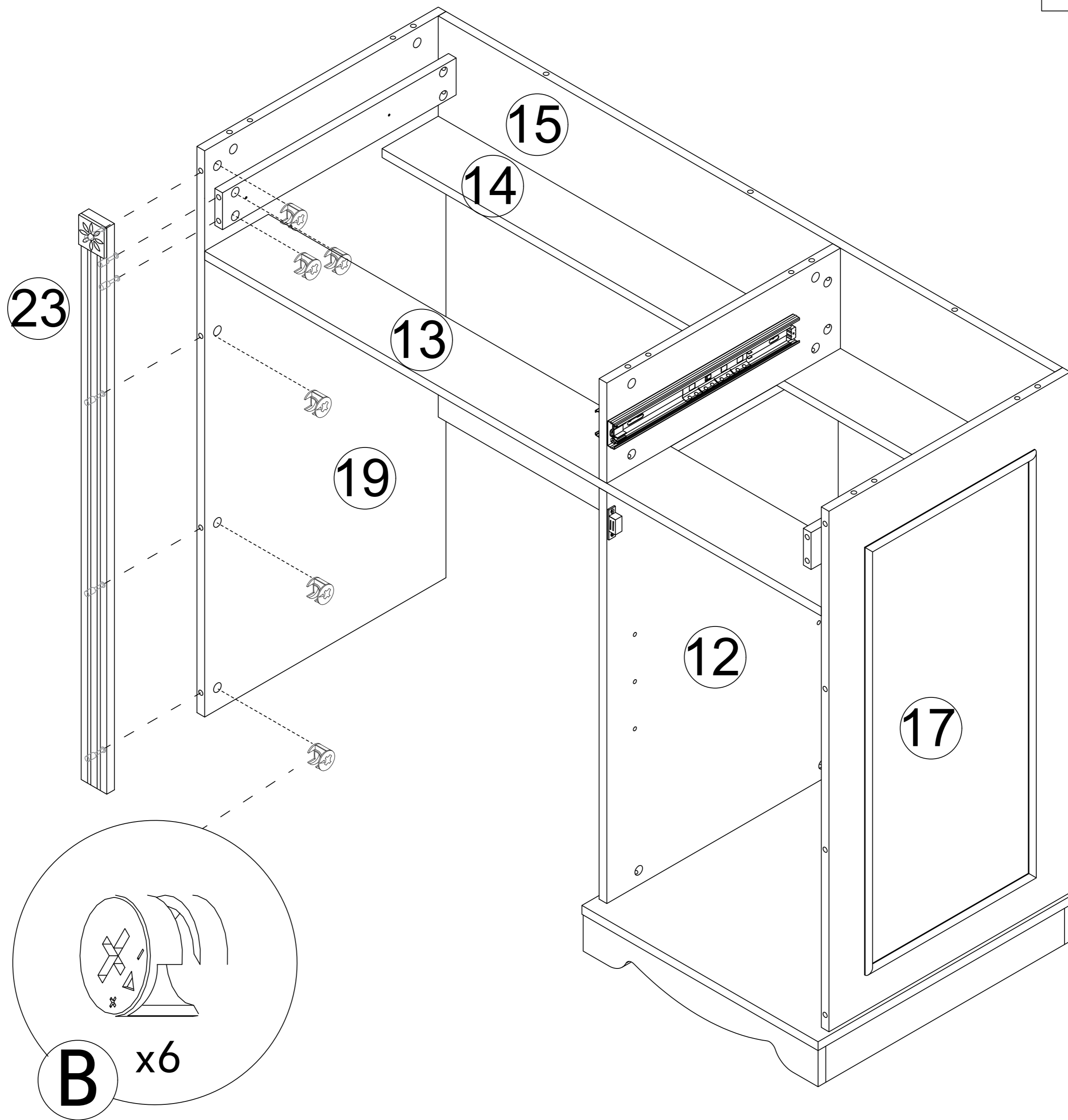


Step 43

B



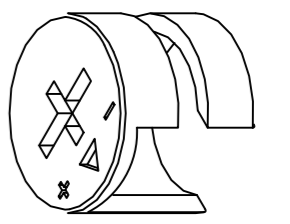
x6



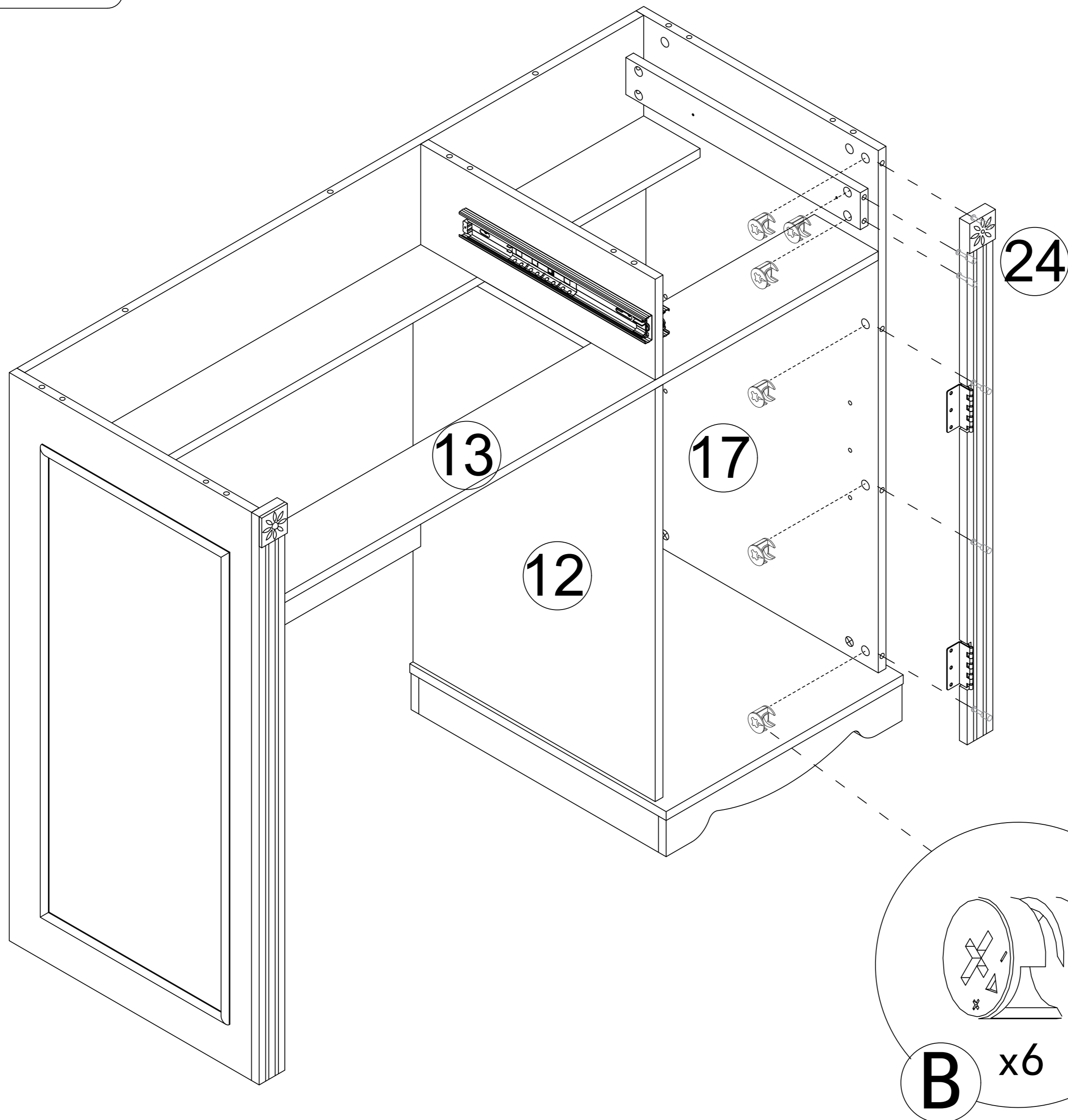
B x6

Step 44

B



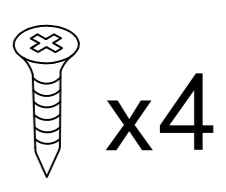

x6

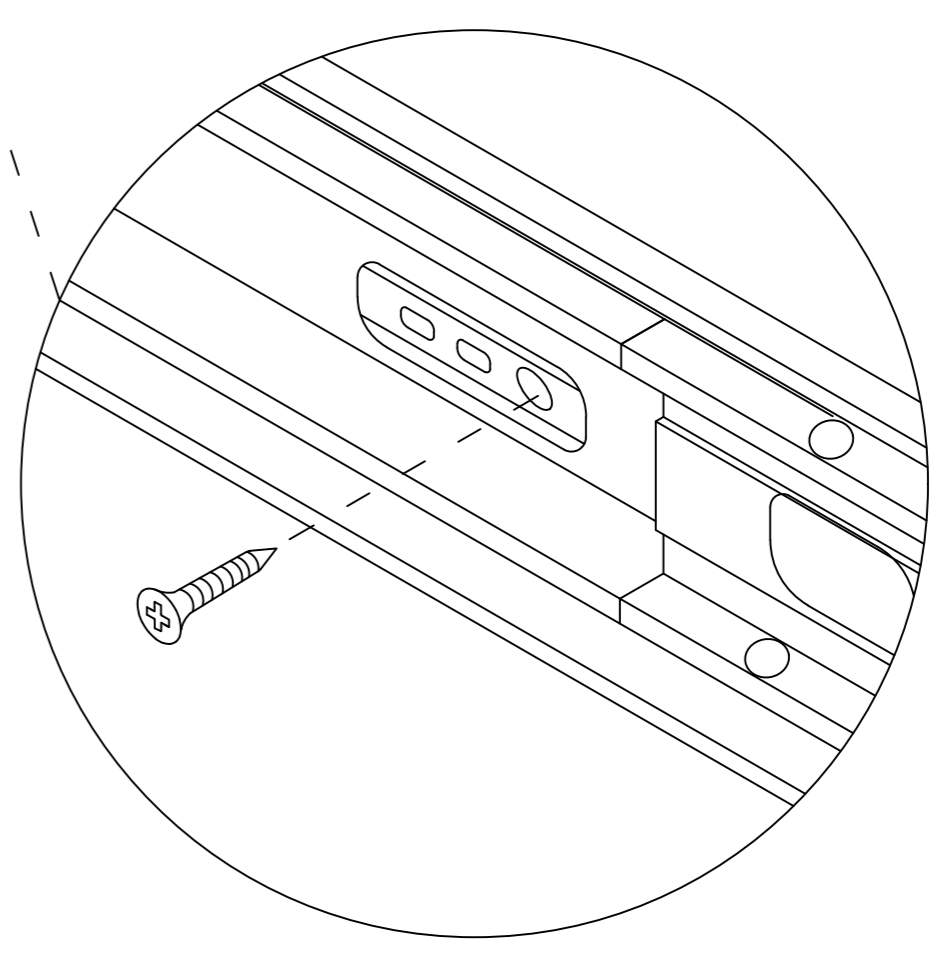
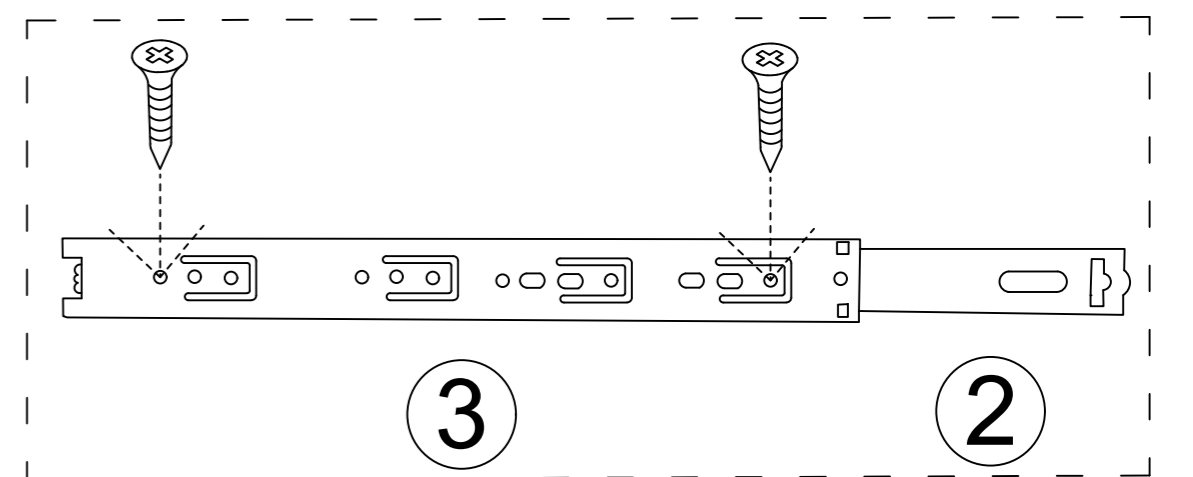
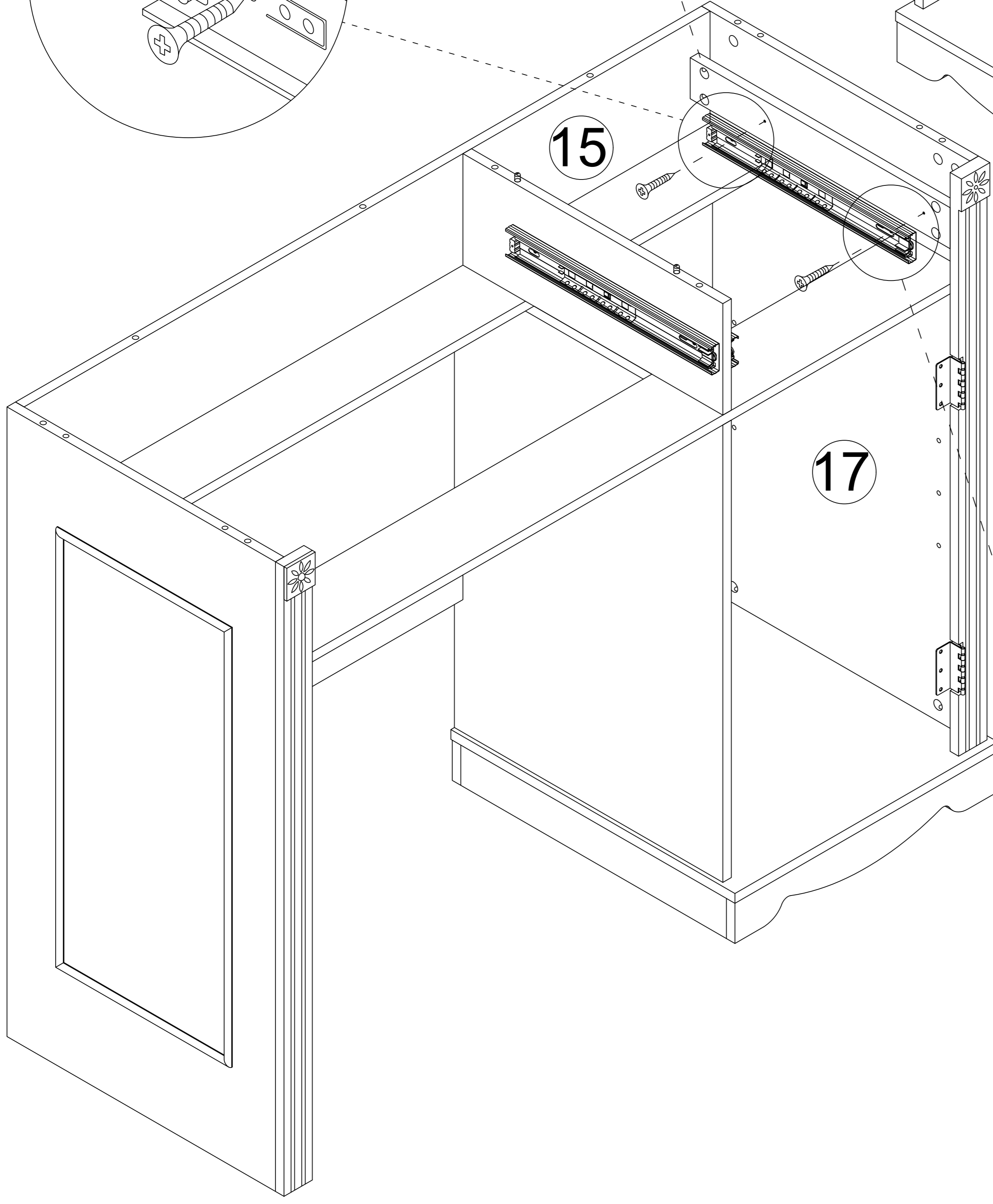
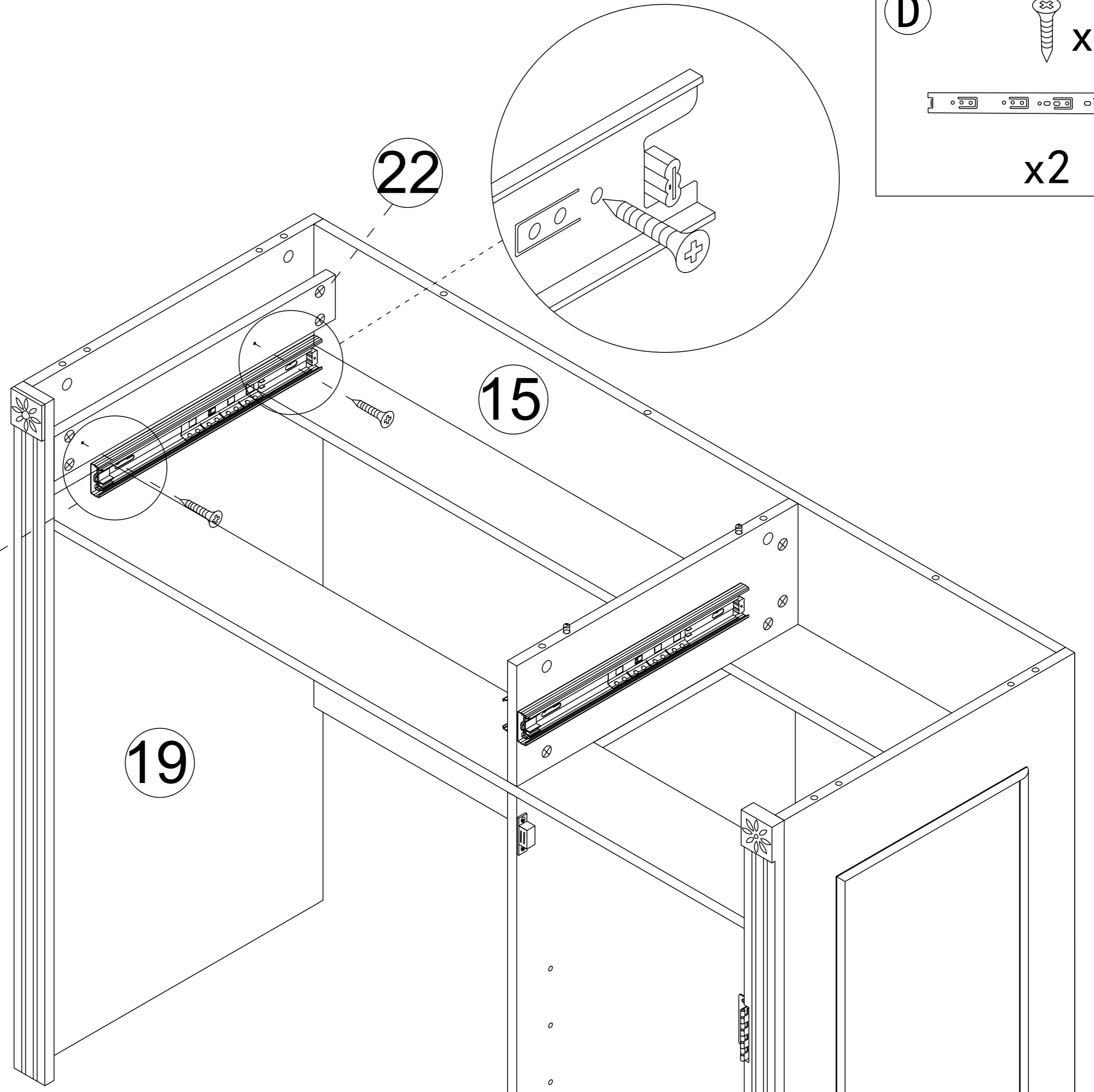
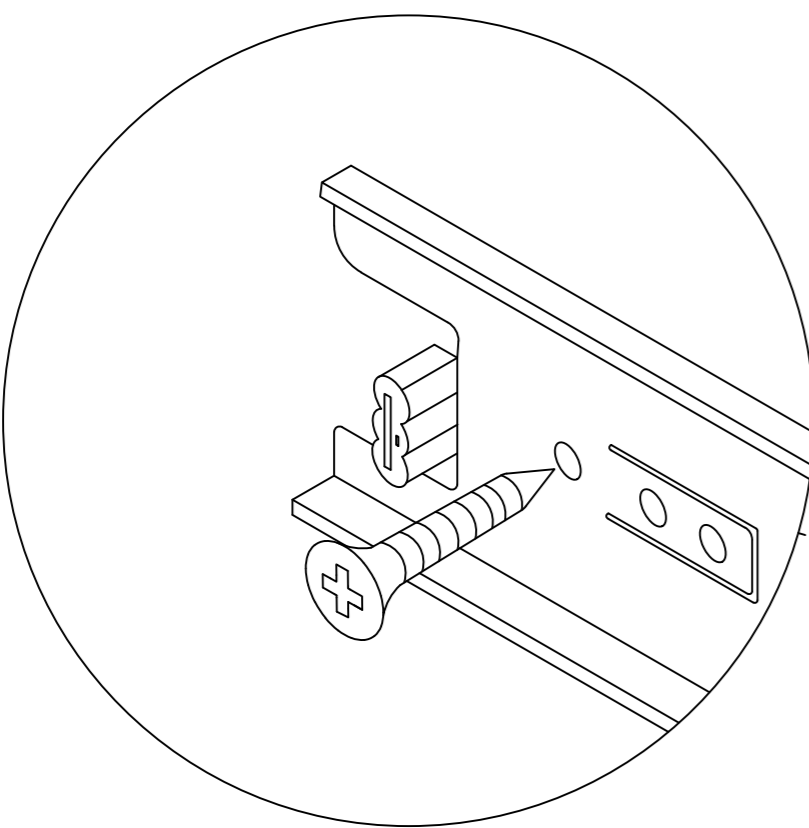
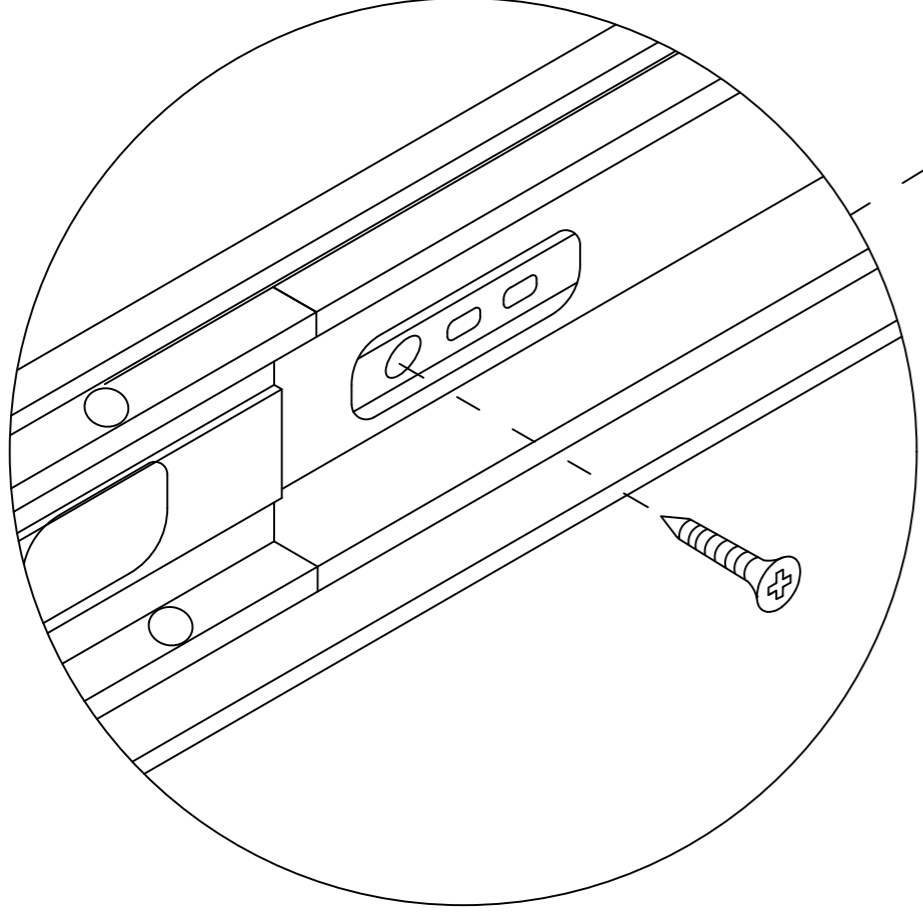
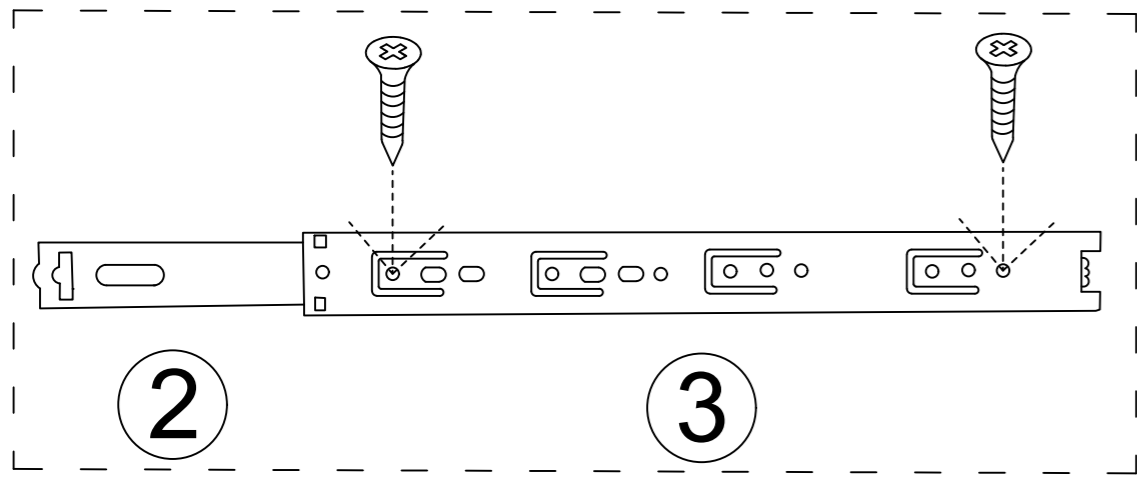


B x6


30

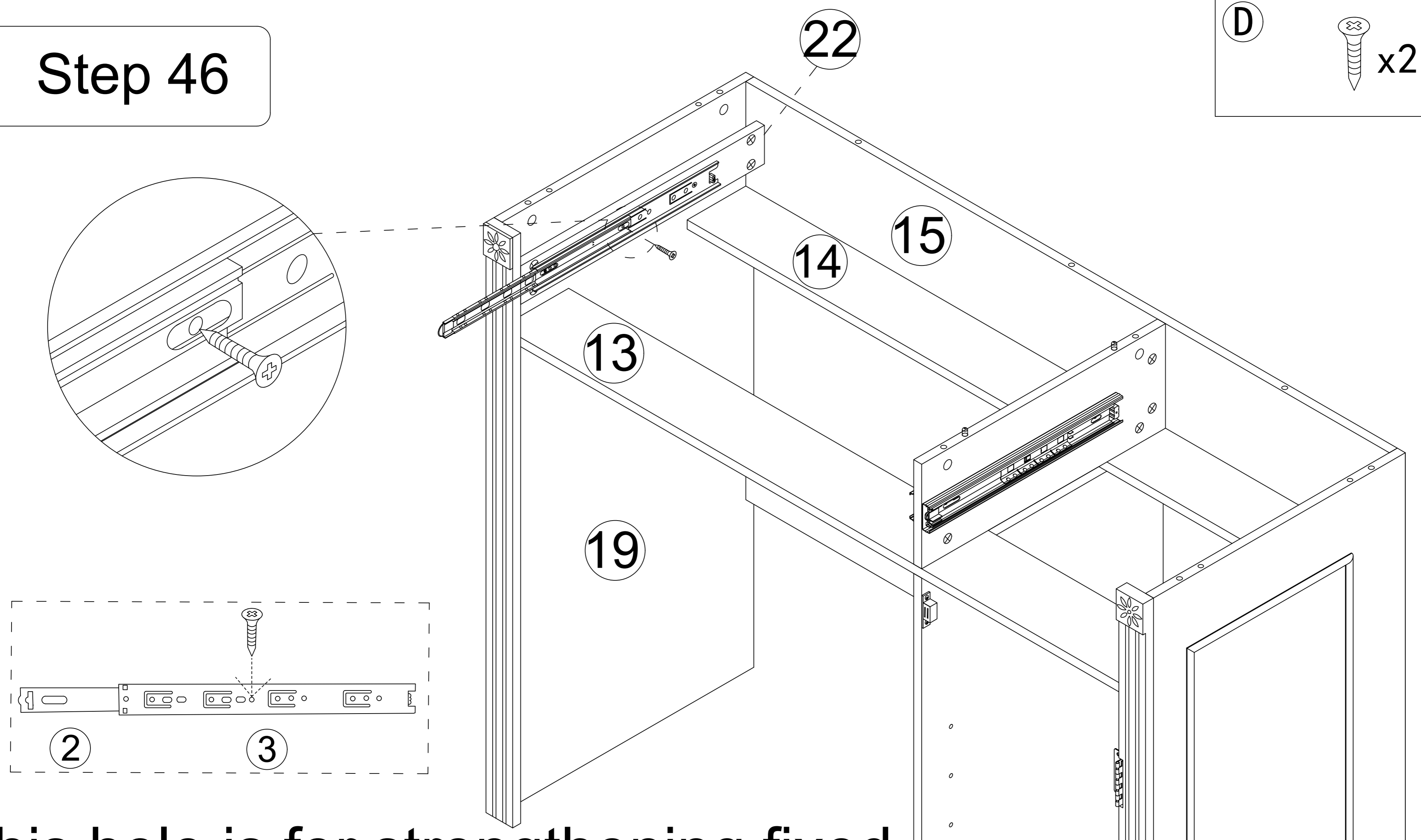
Step 45

D  x4
 x2

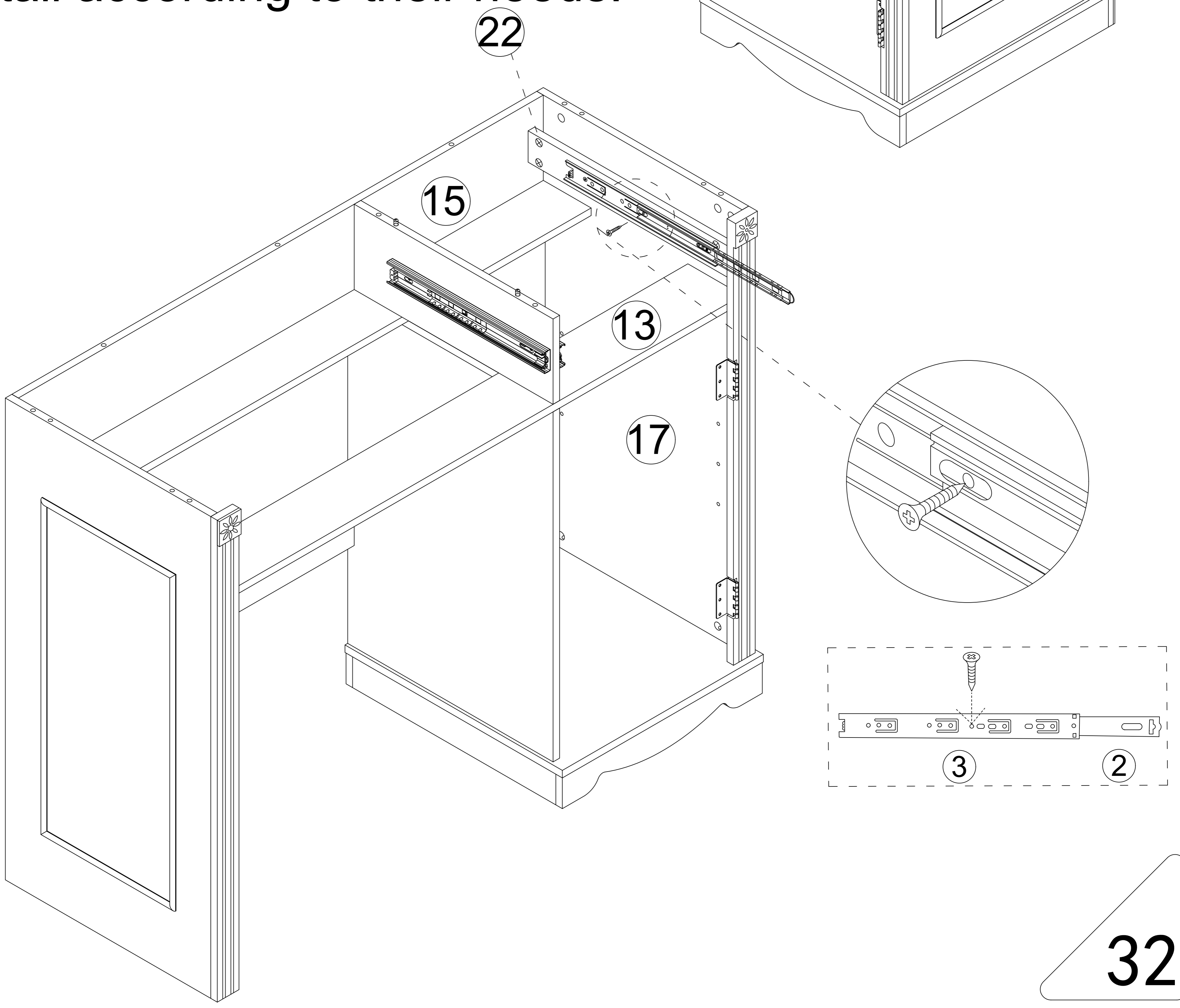


Step 46

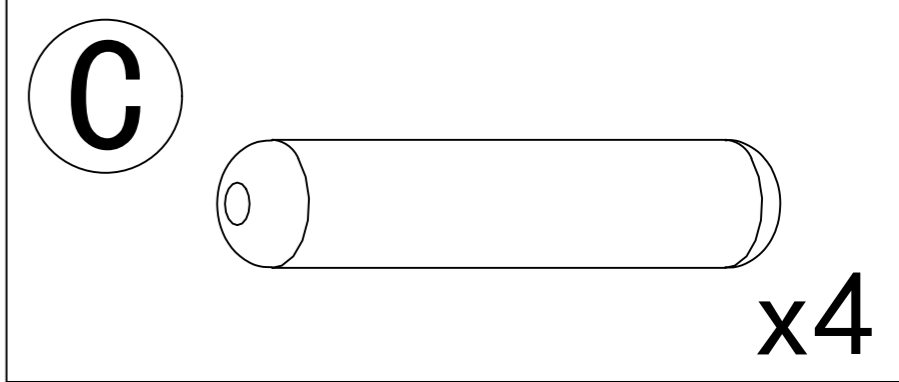
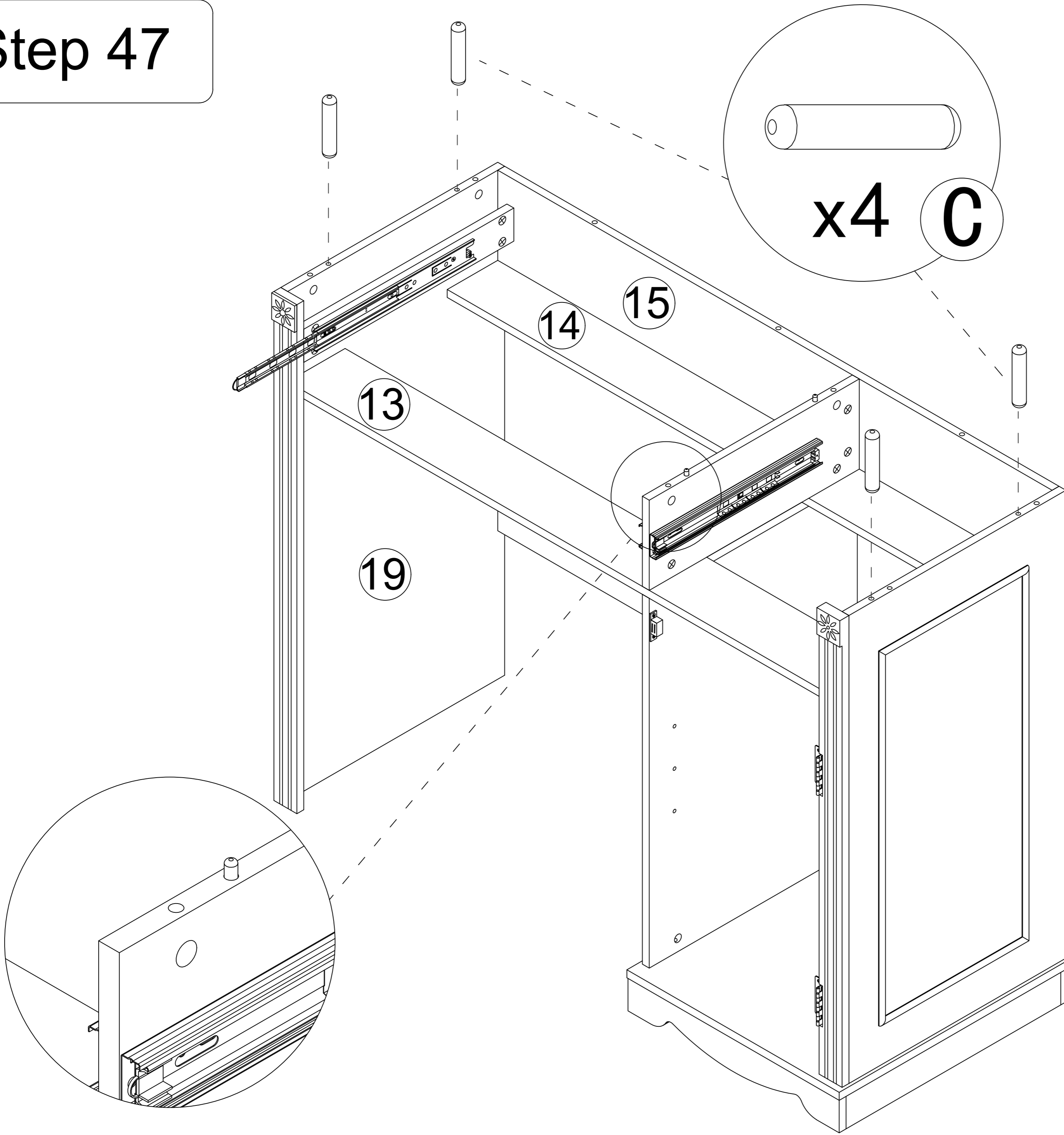
D  x2



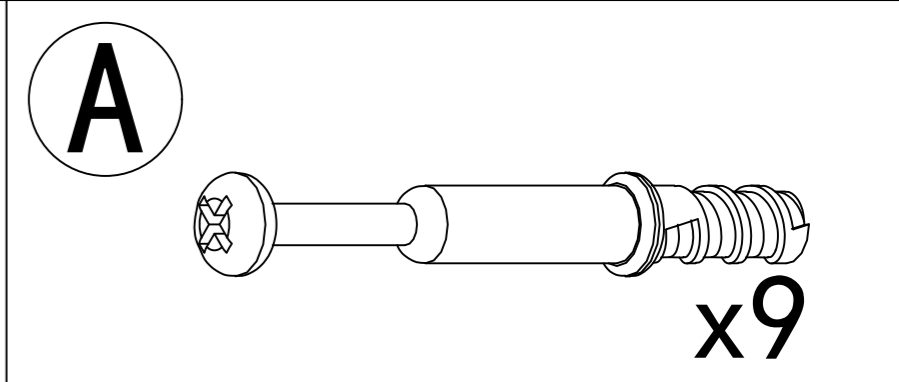
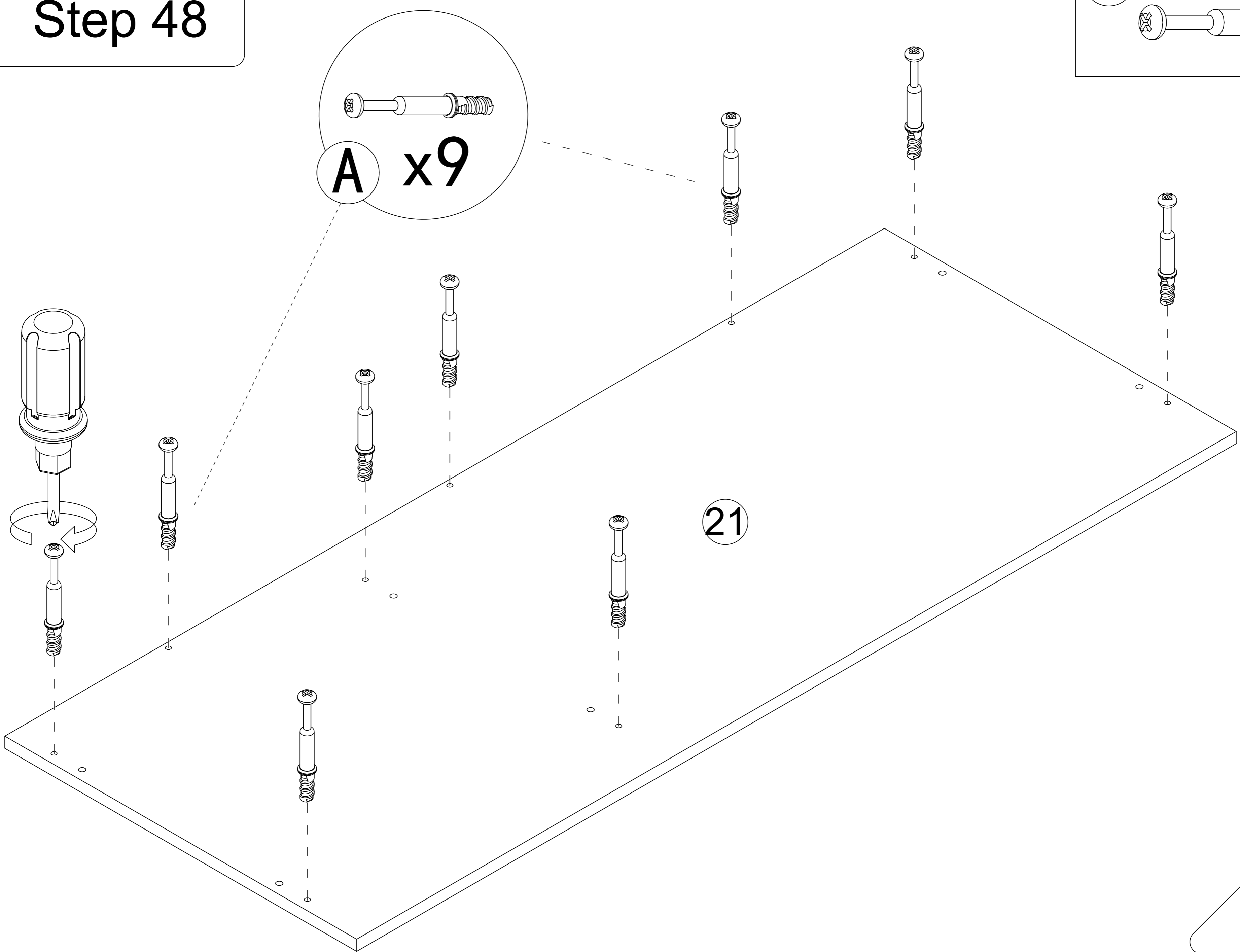
This hole is for strengthening fixed hole customers can choose to install according to their needs.



Step 47

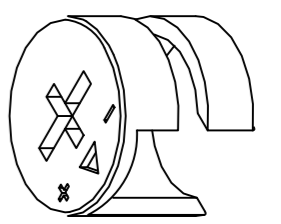


Step 48

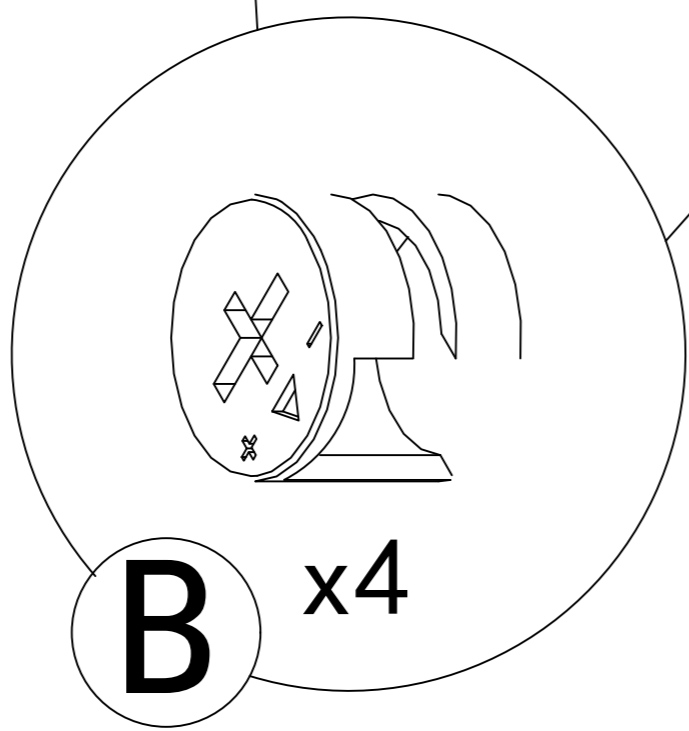
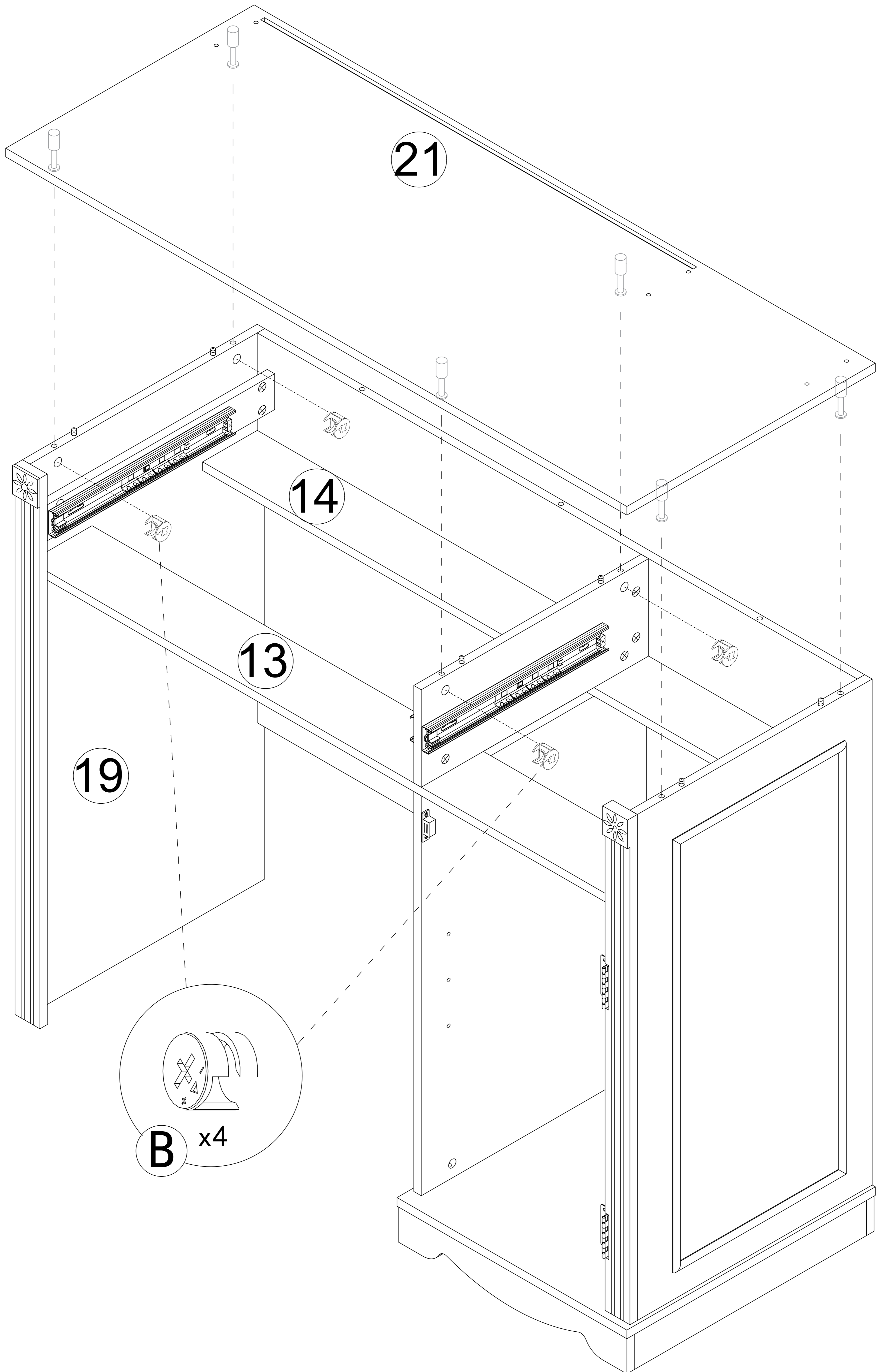


Step 49

B

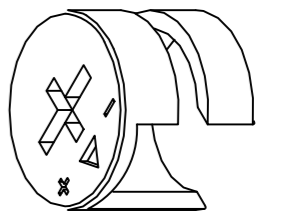


x4

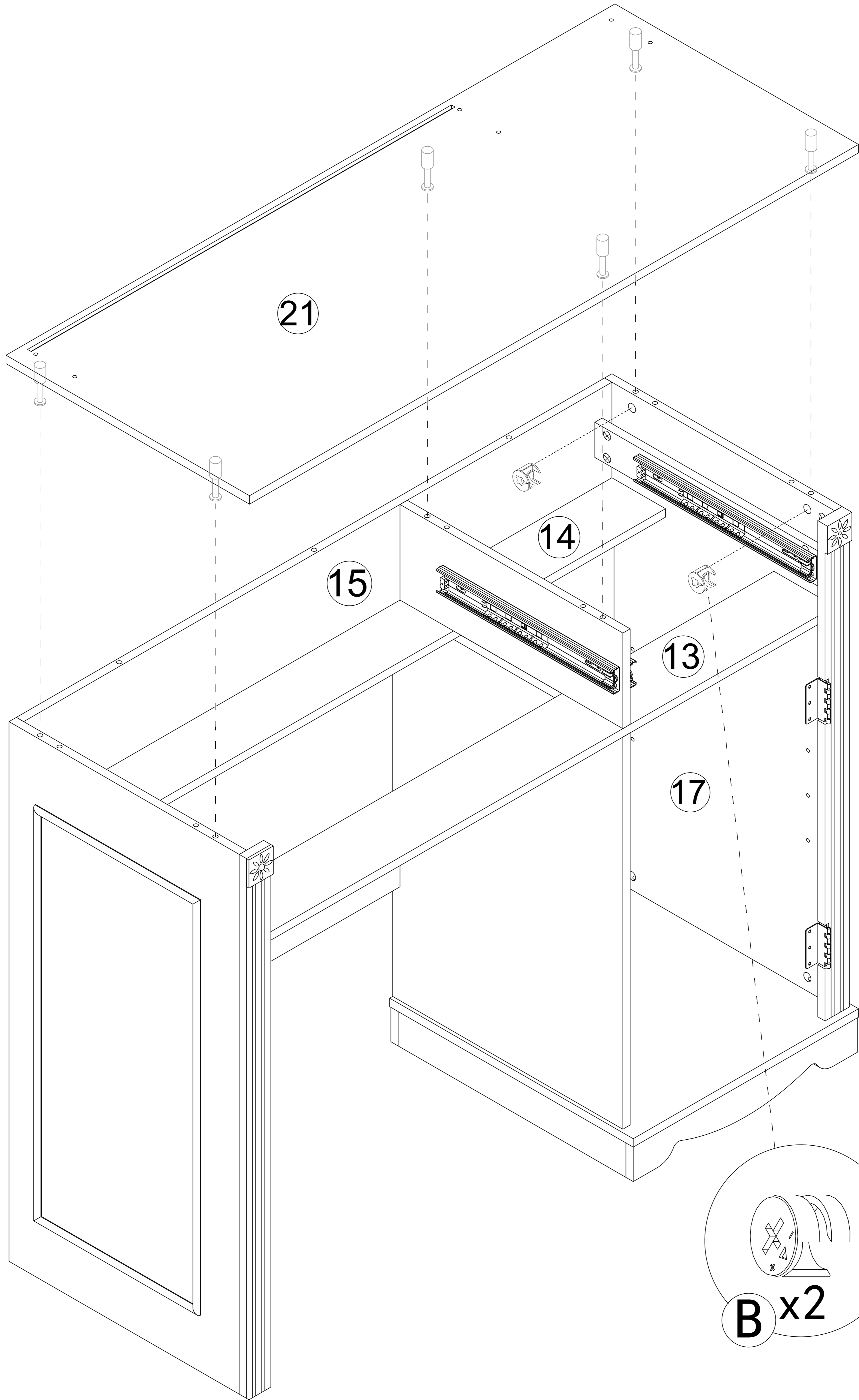


Step 50

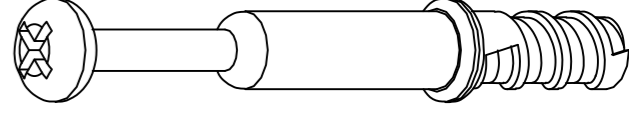
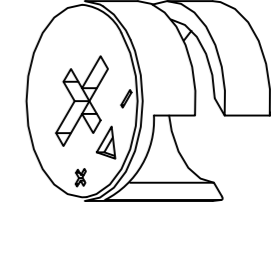
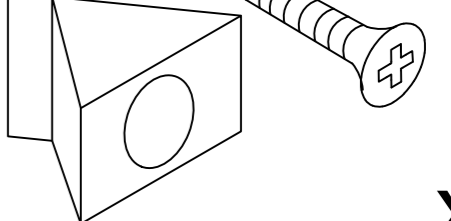
B

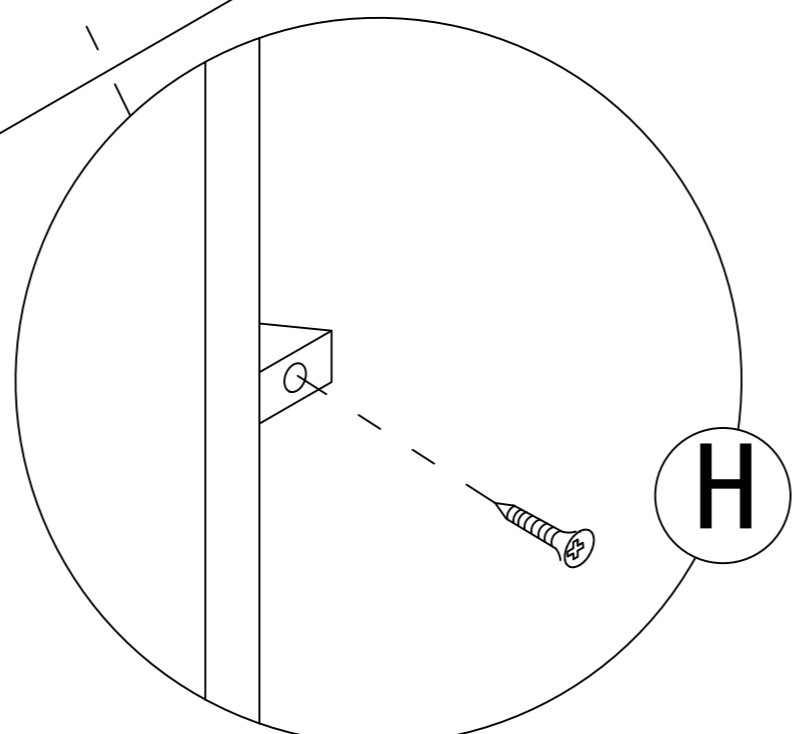
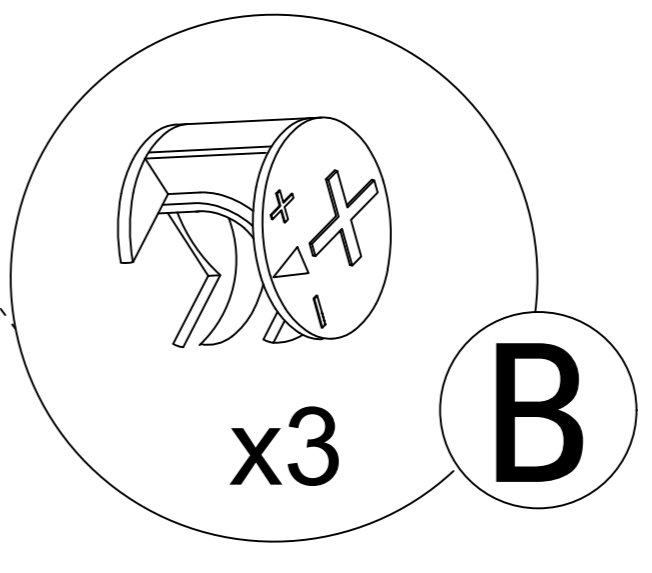
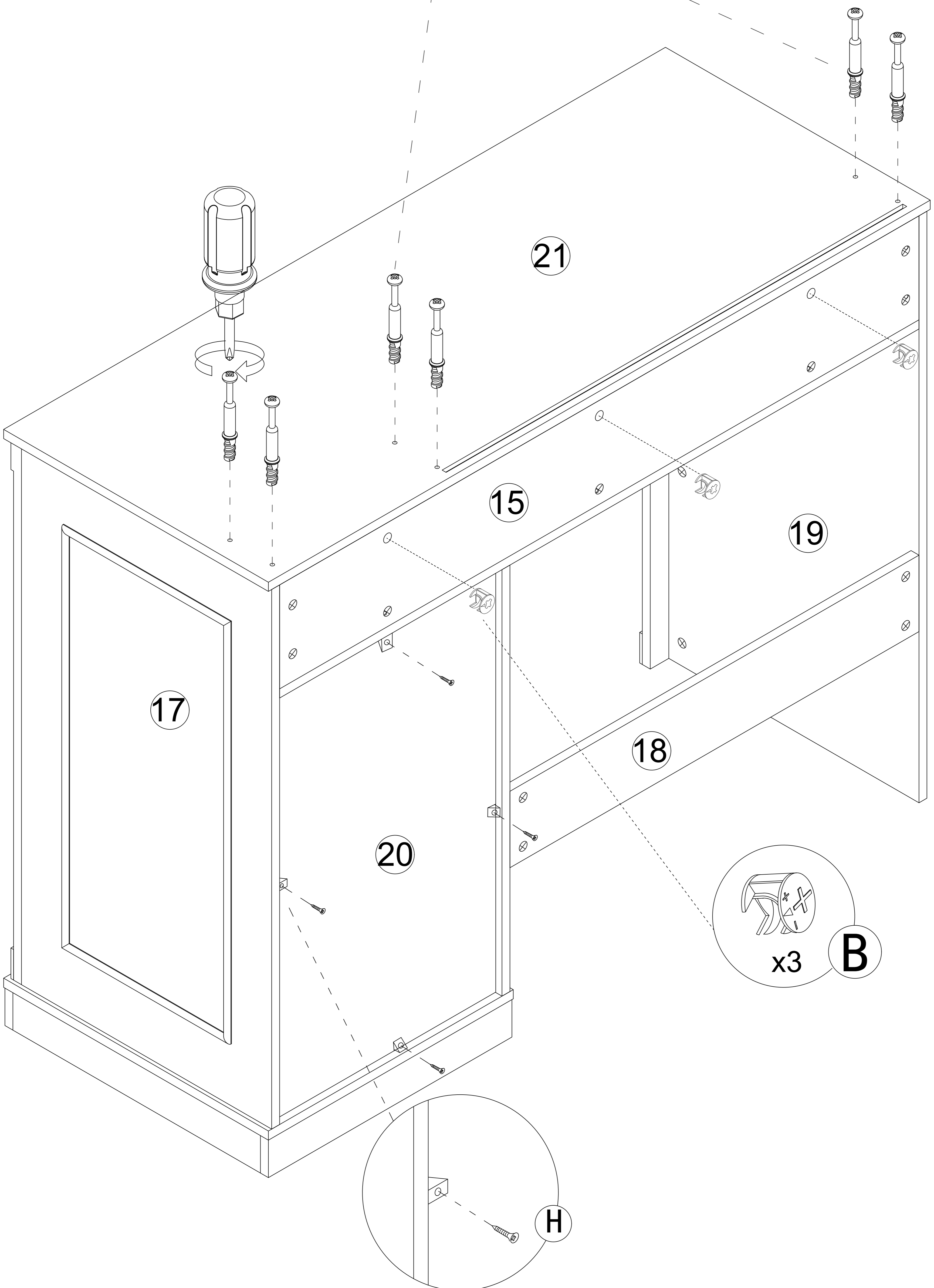
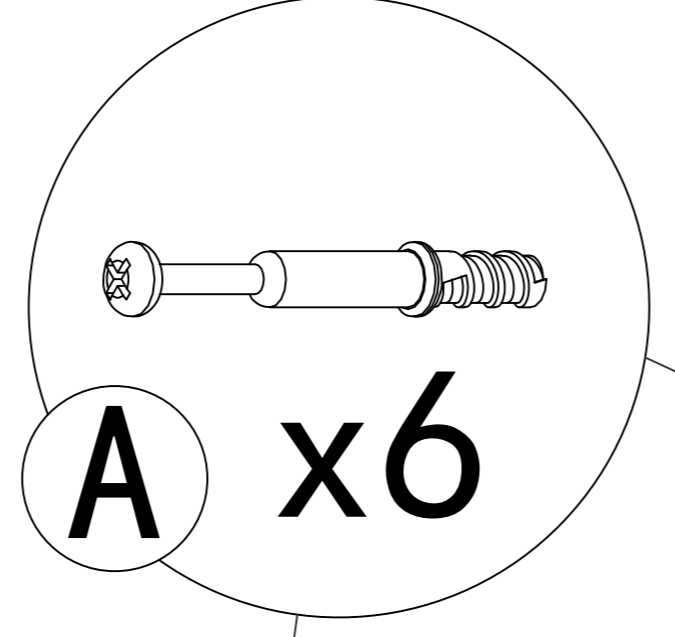


x2

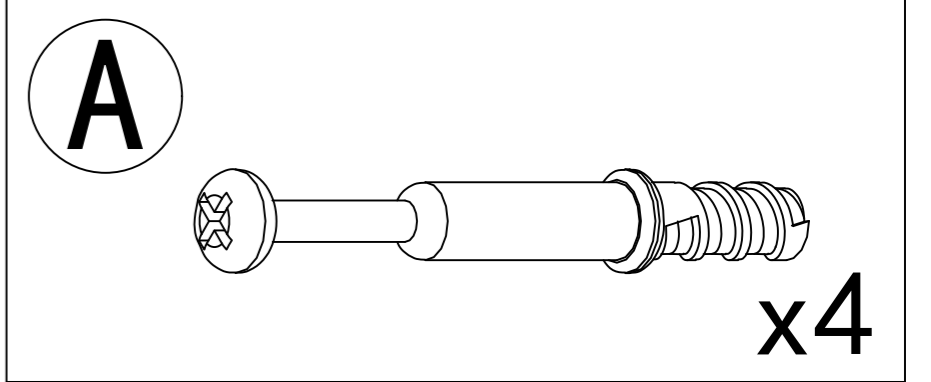
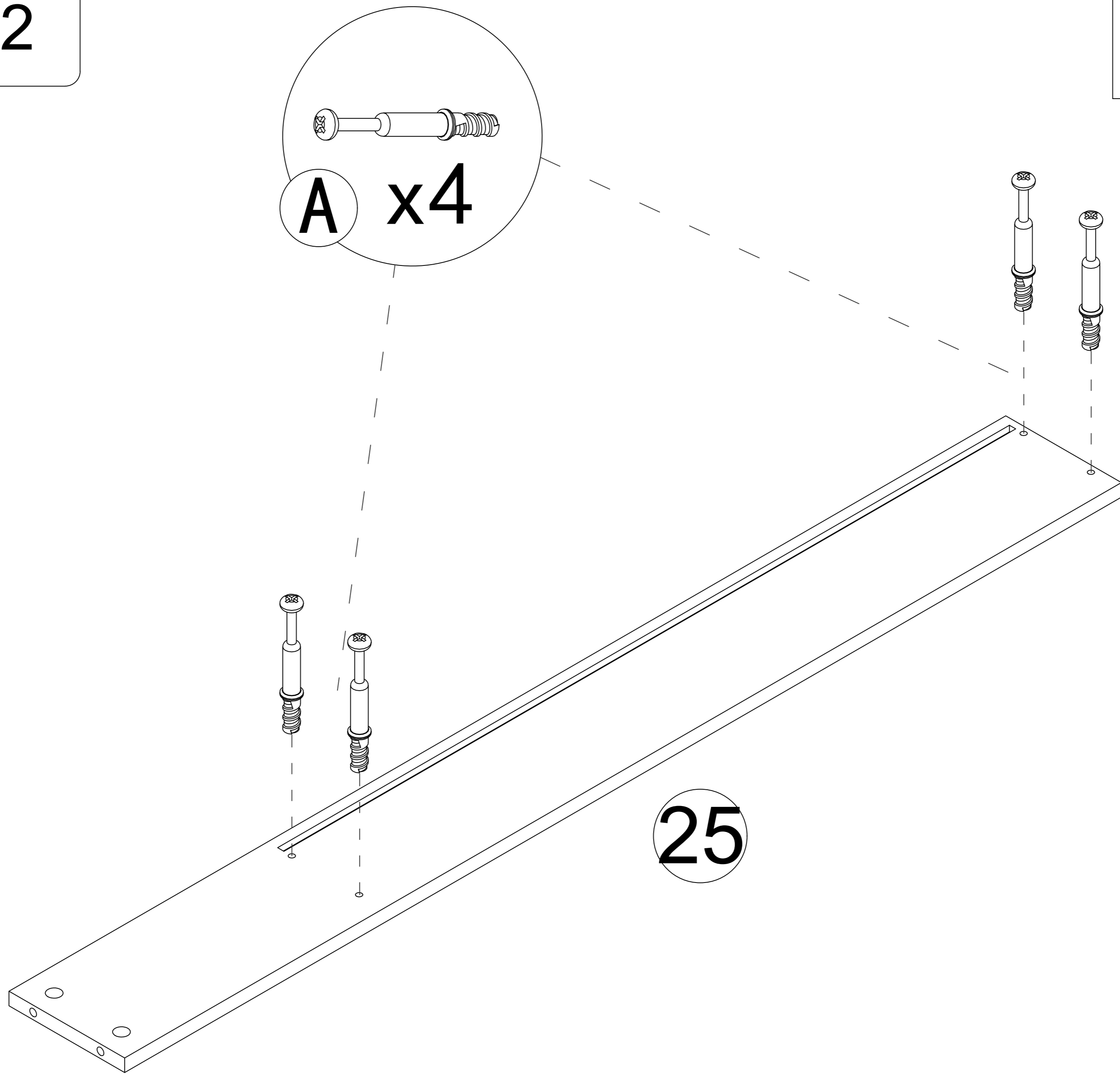


Step 51

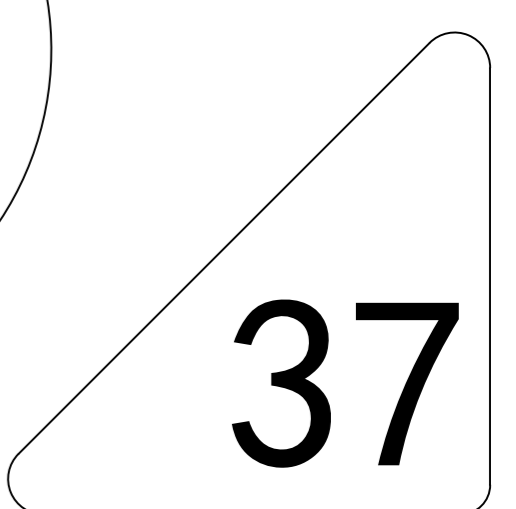
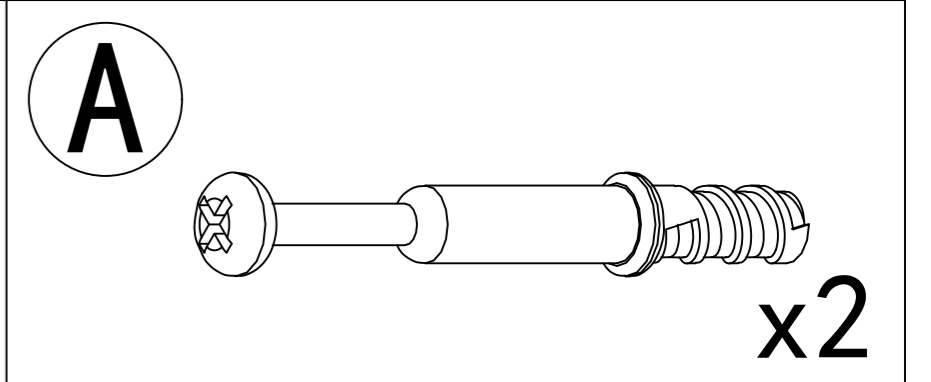
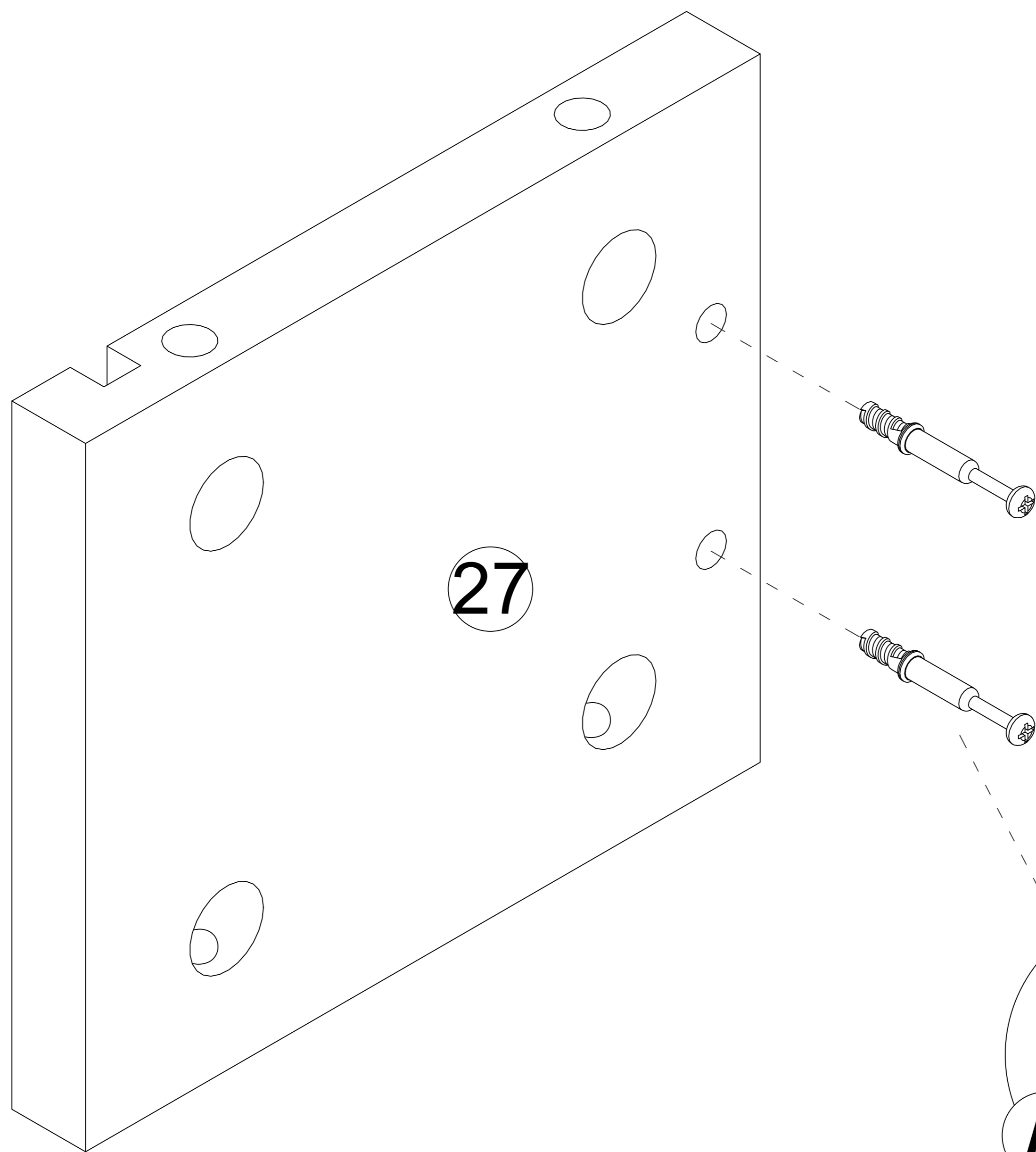
- A**  x6
- B**  x3
- H**  x4



Step 52

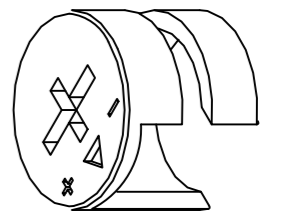


Step 53

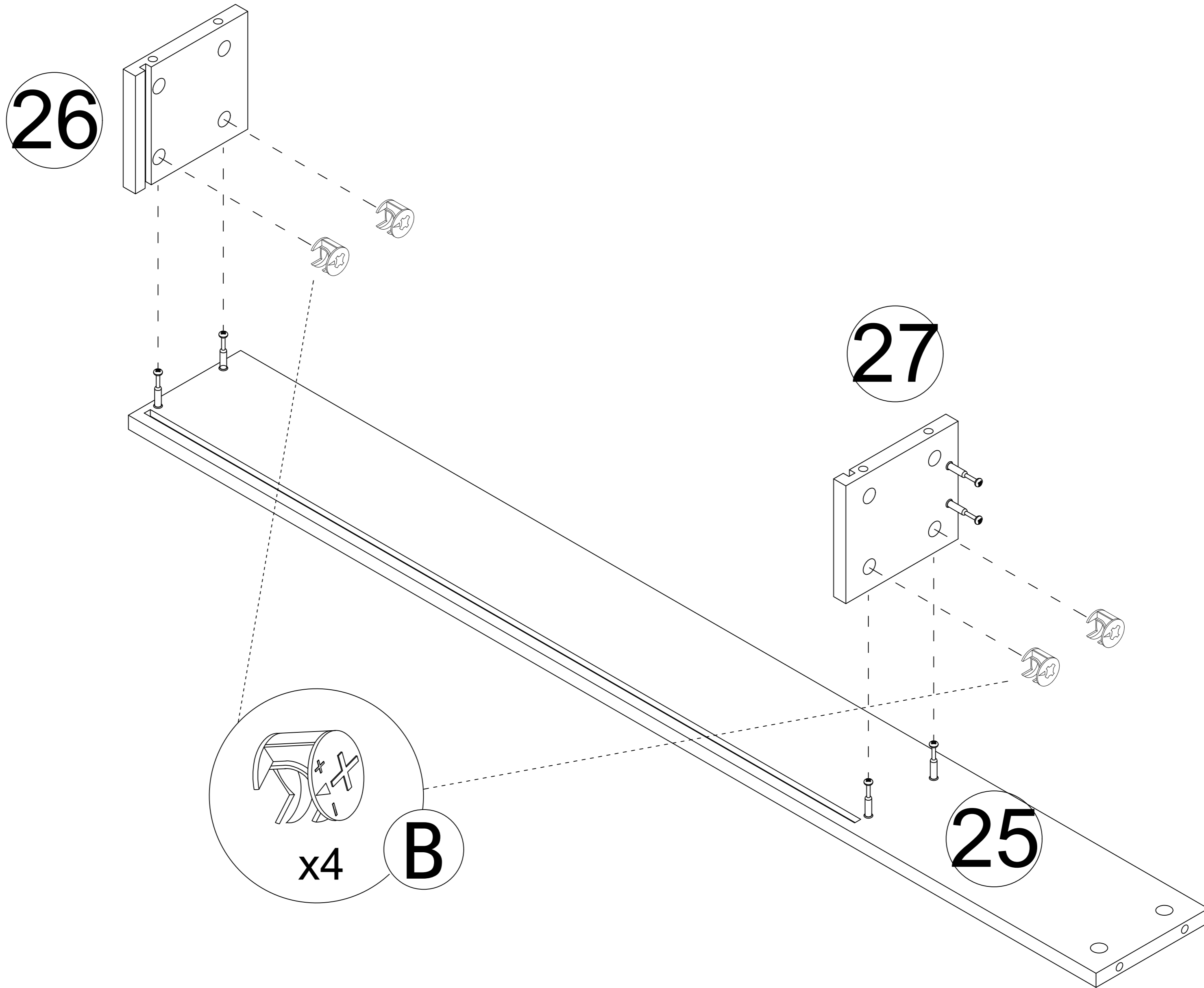


Step 54

B

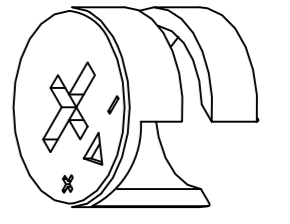


x4

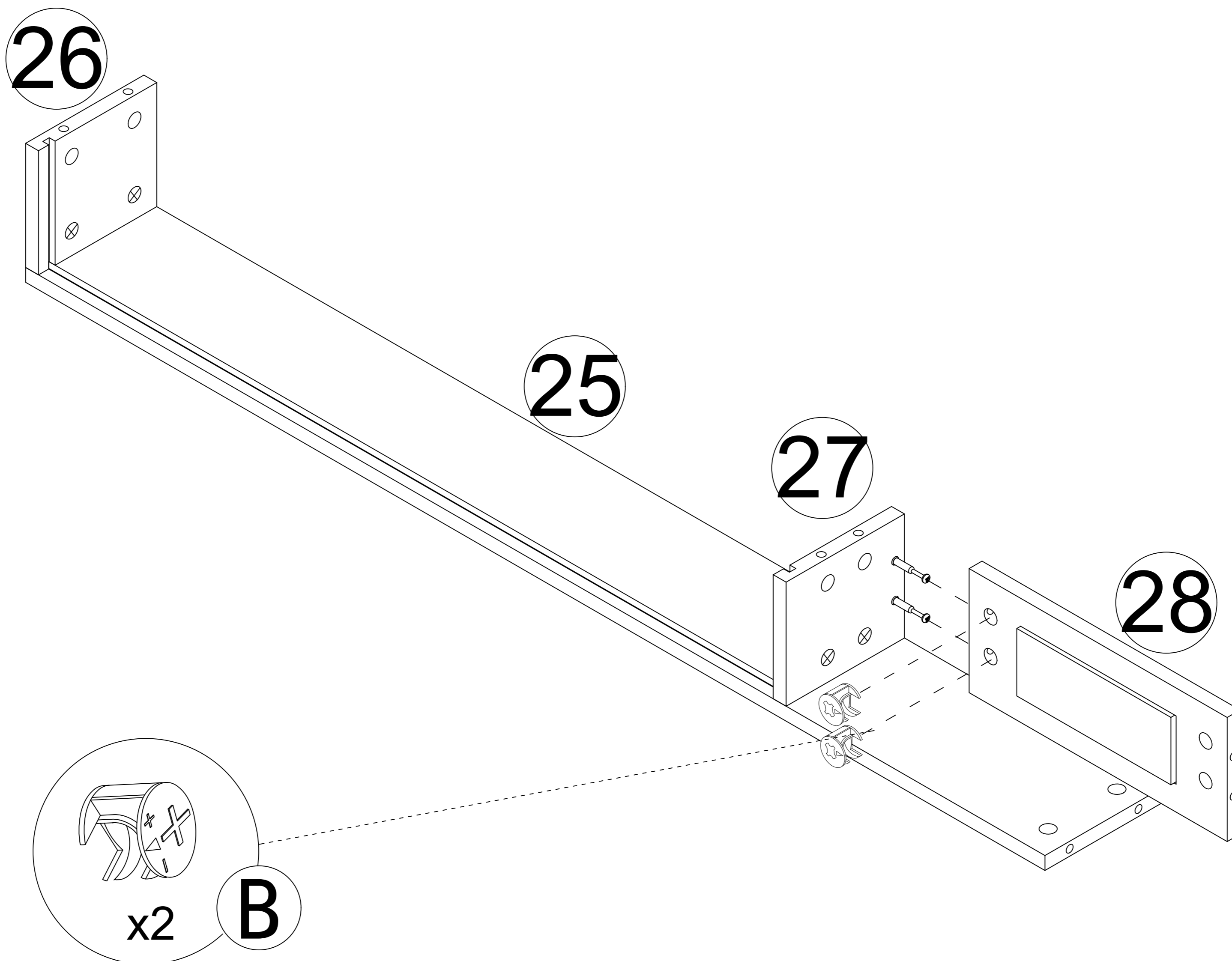


Step 55

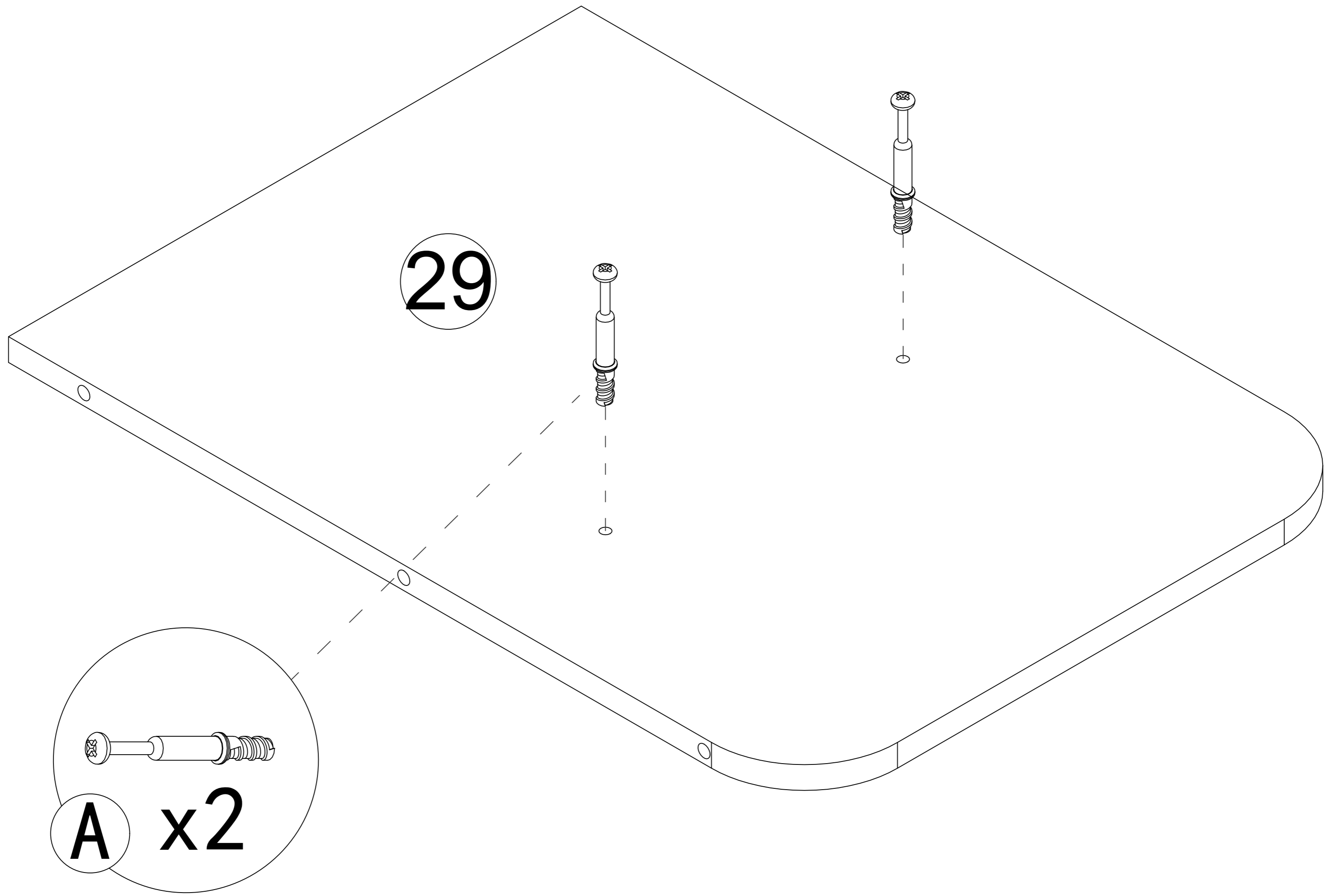
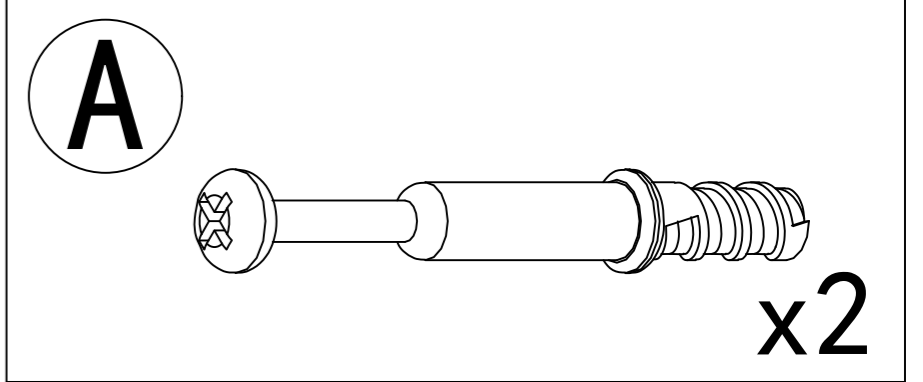
B



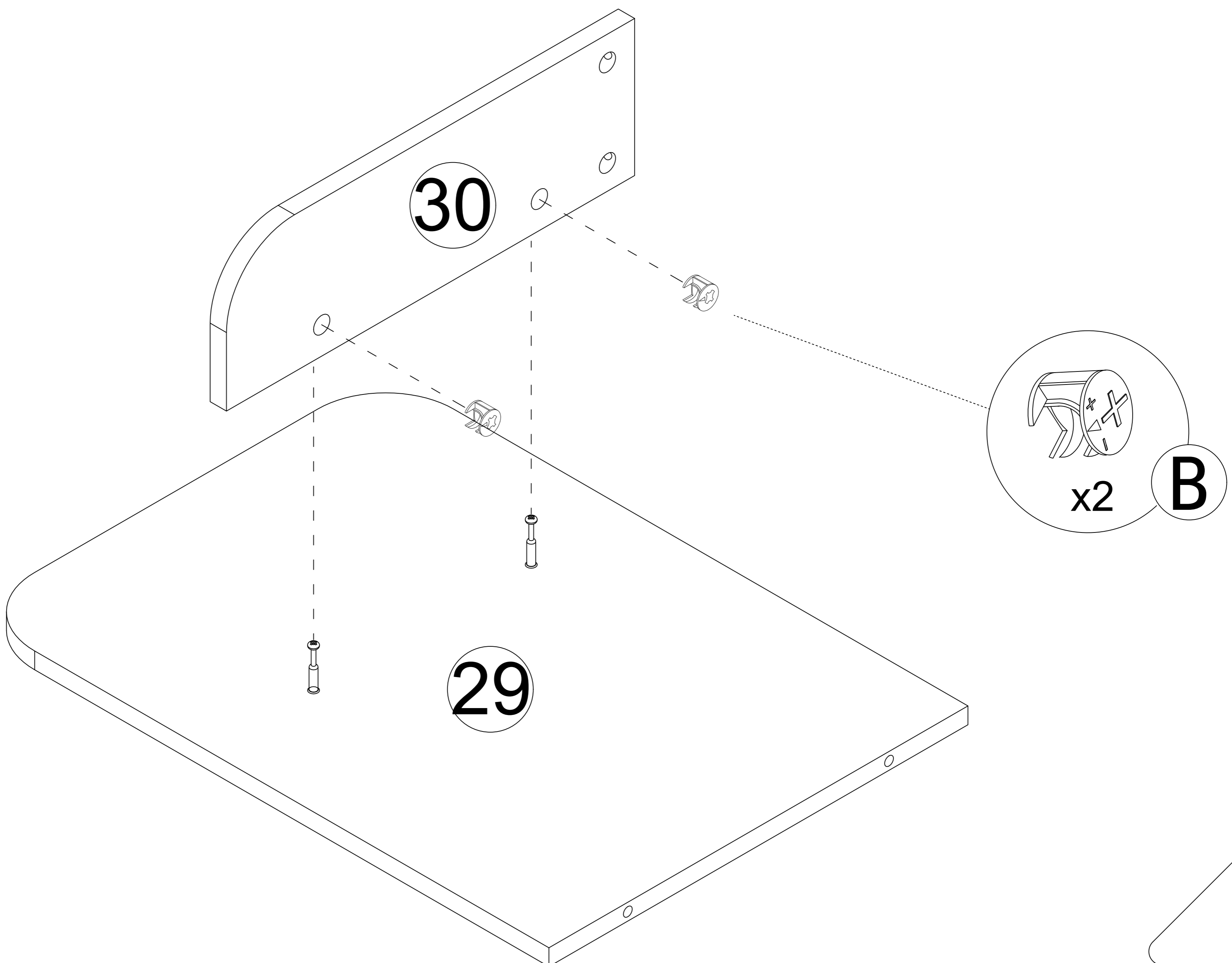
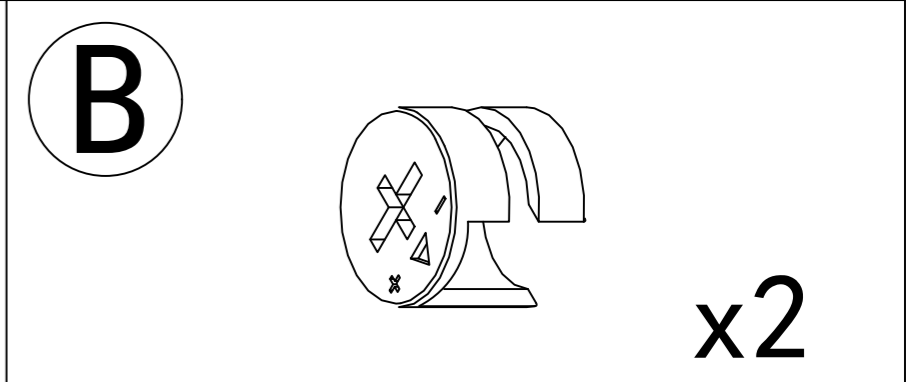
x2



Step 56

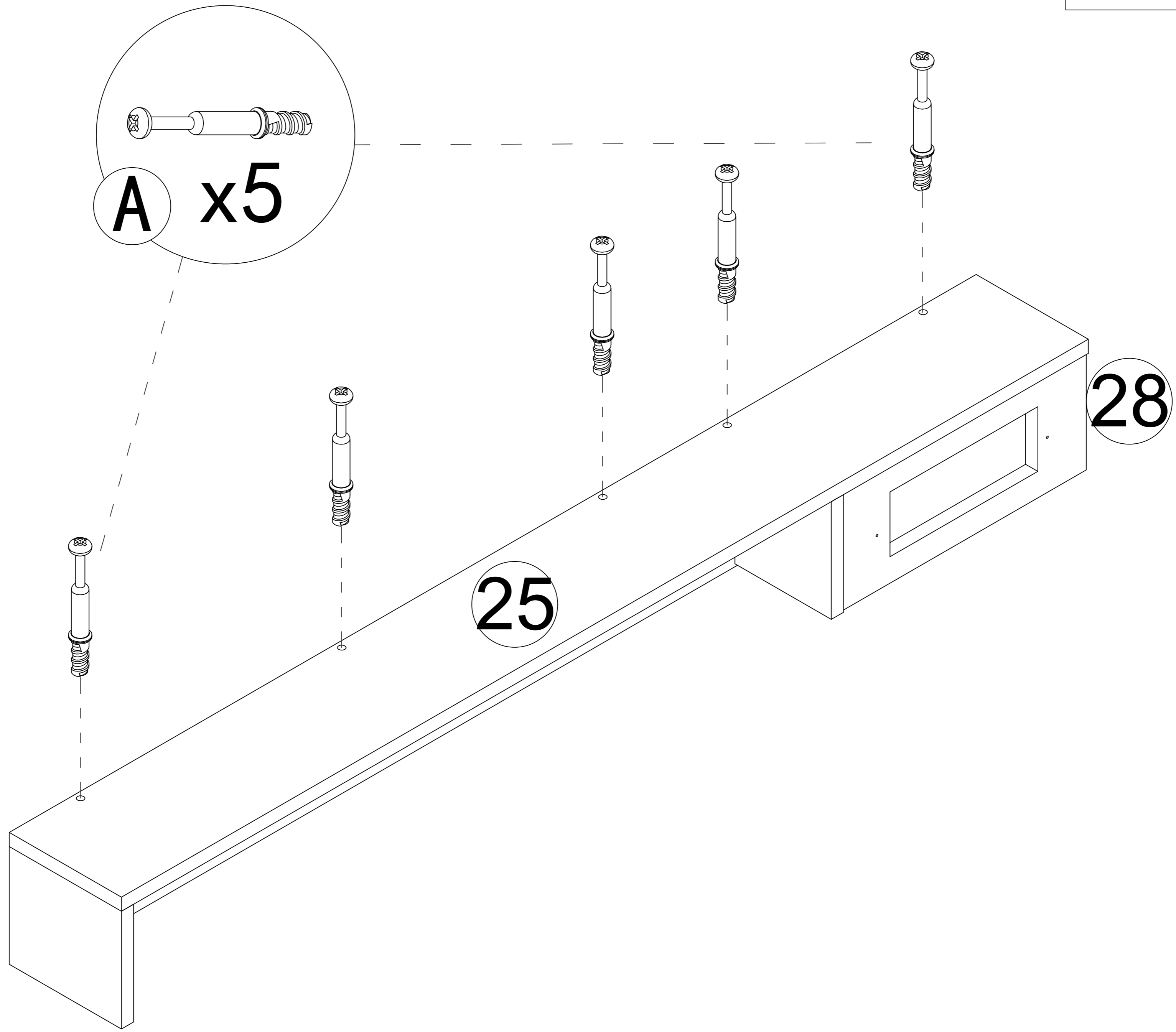
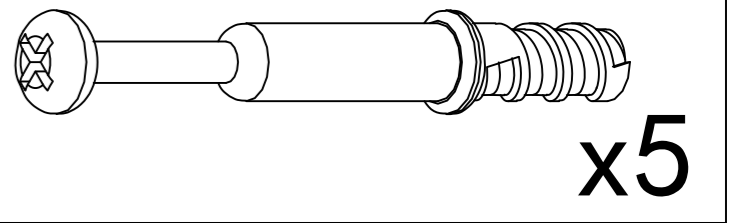


Step 57



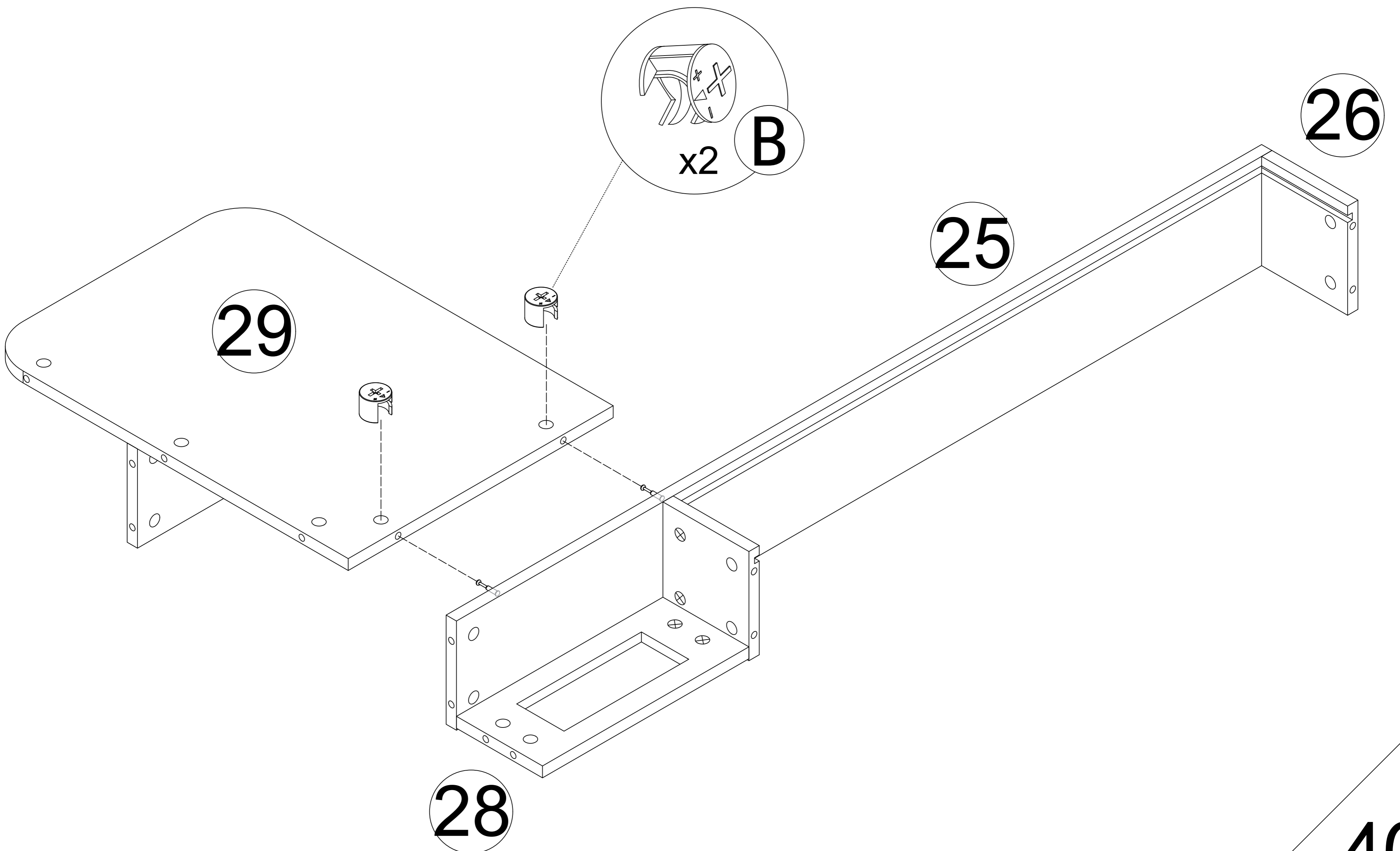
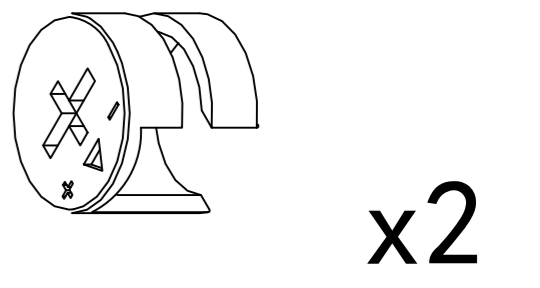
Step 58

A



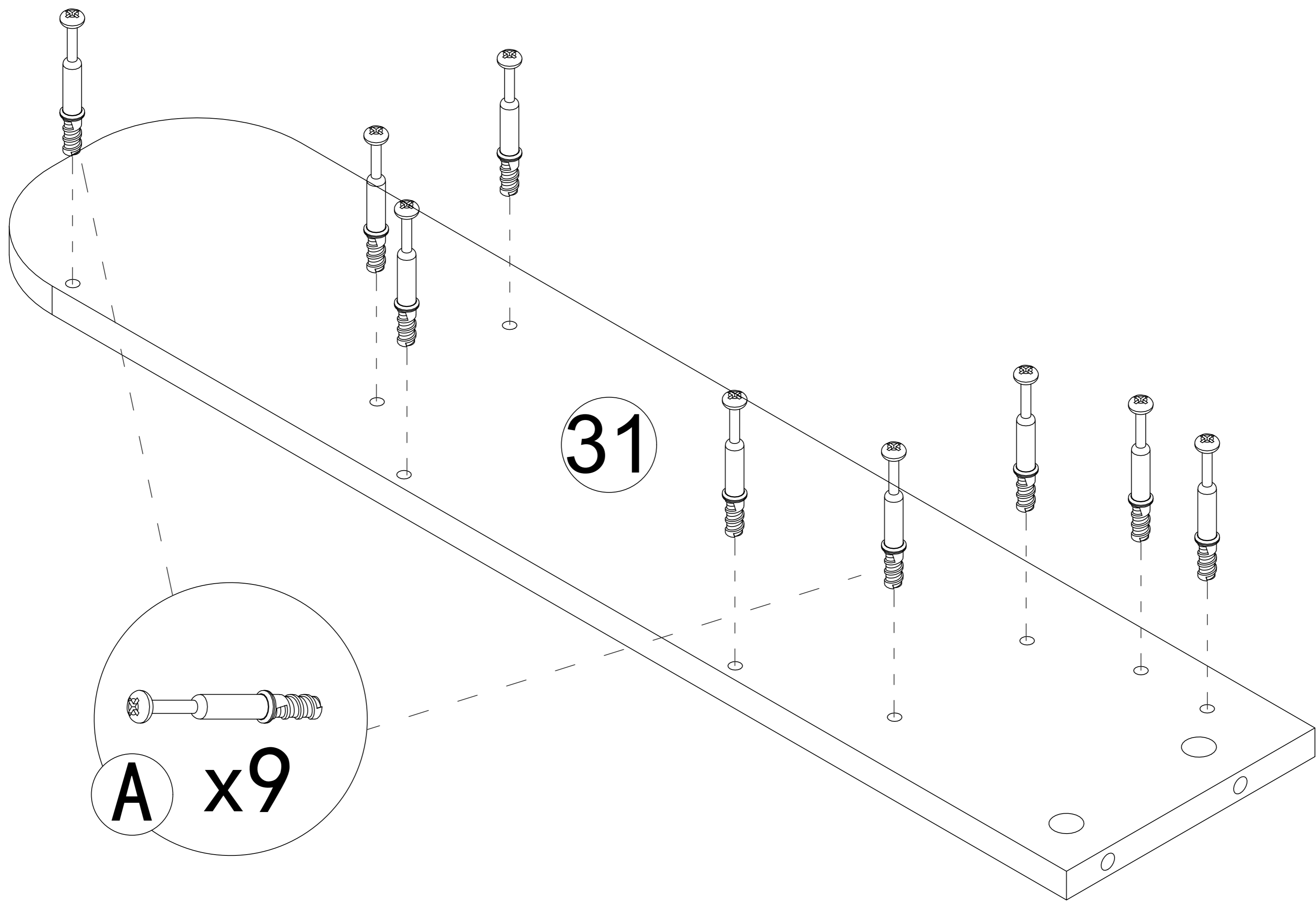
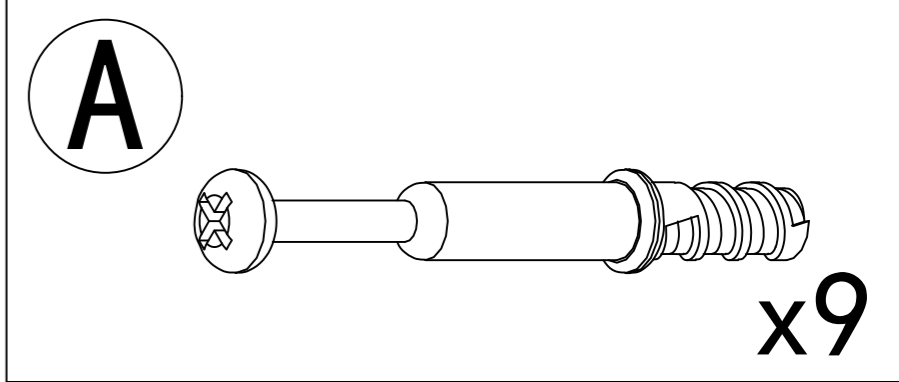
Step 59

B

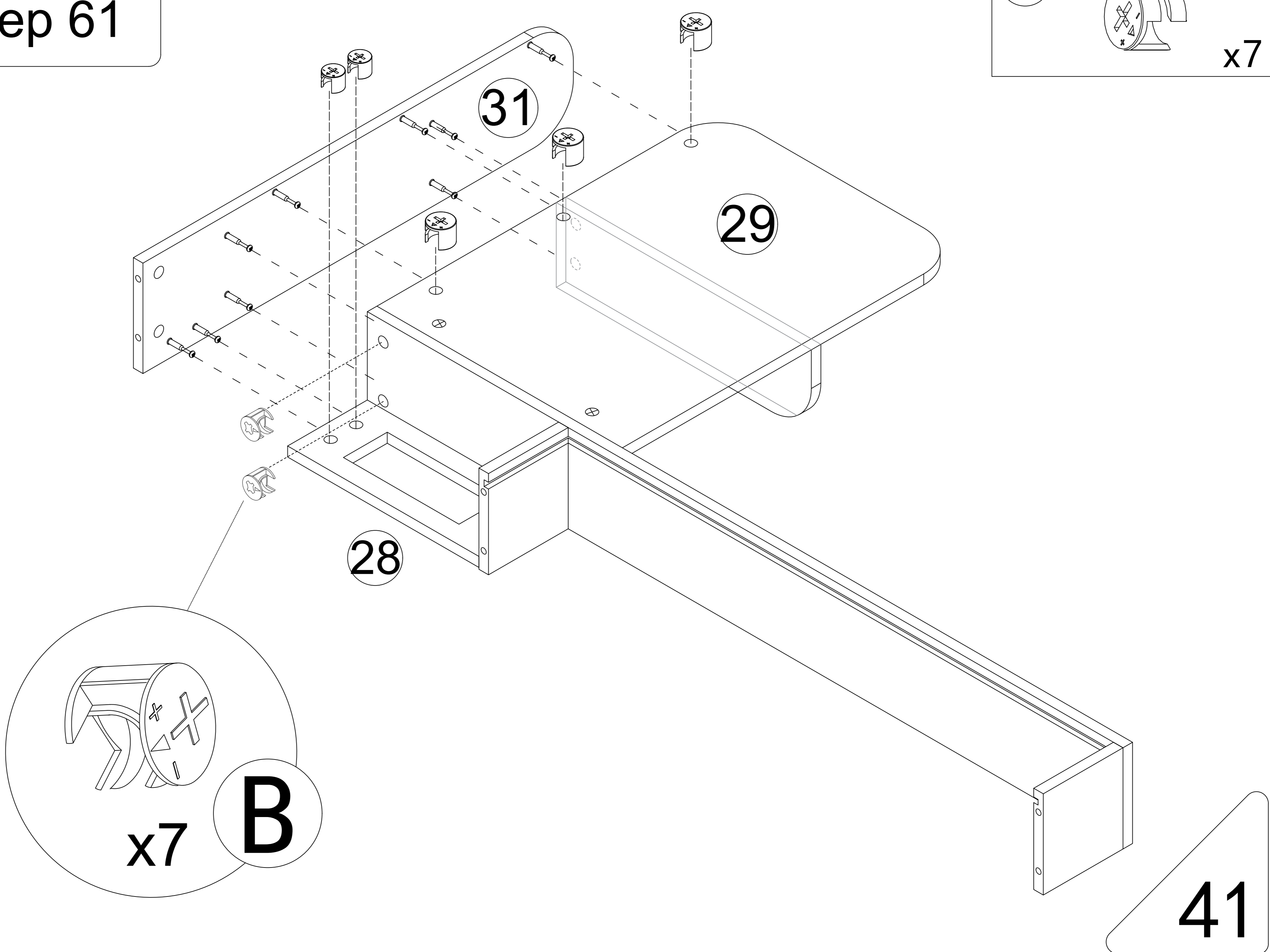
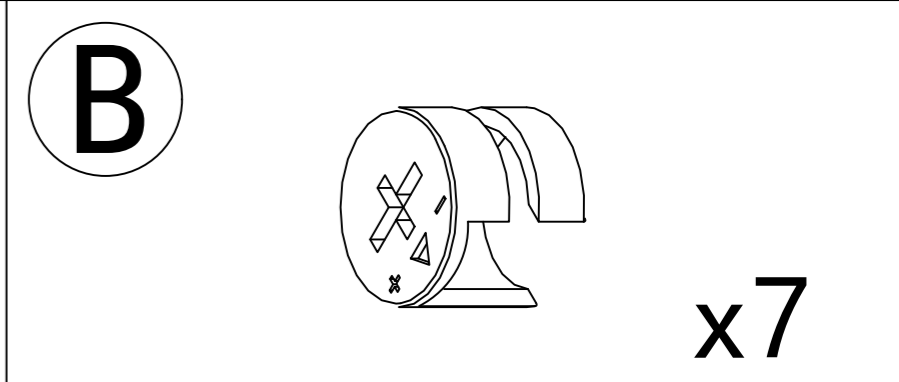


40

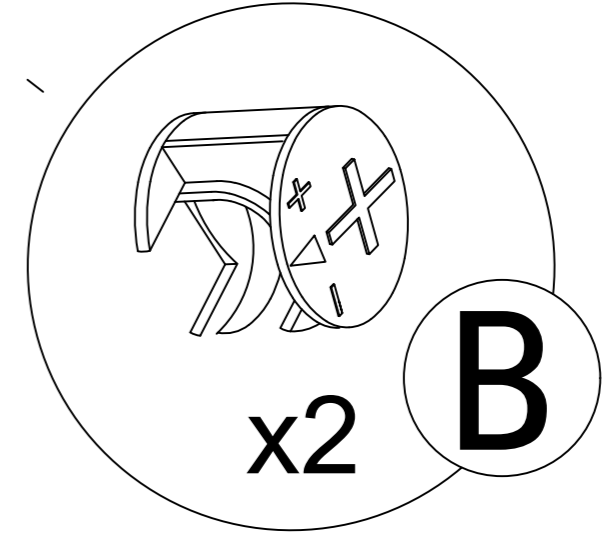
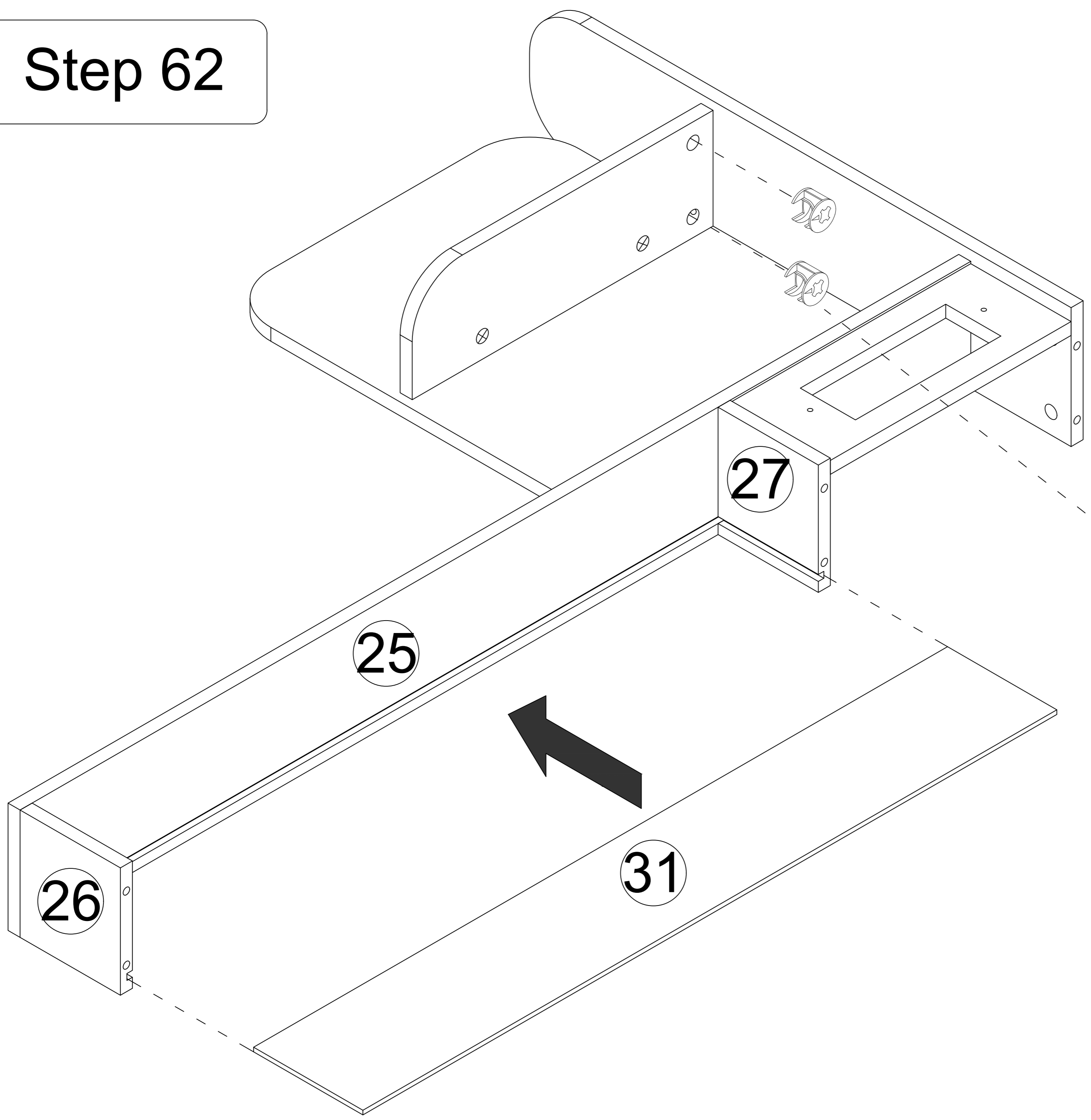
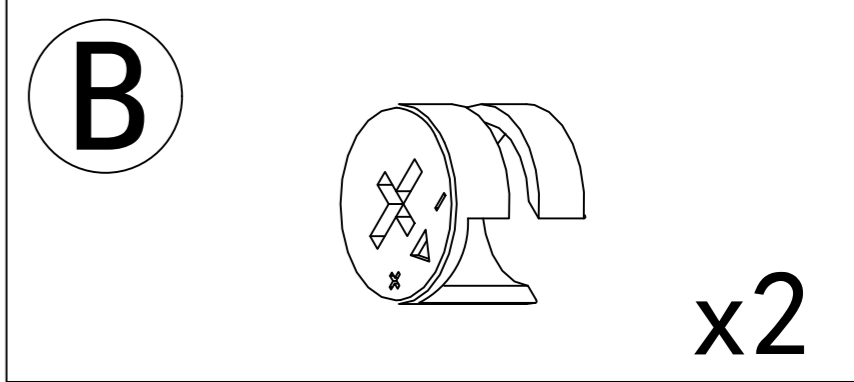
Step 60



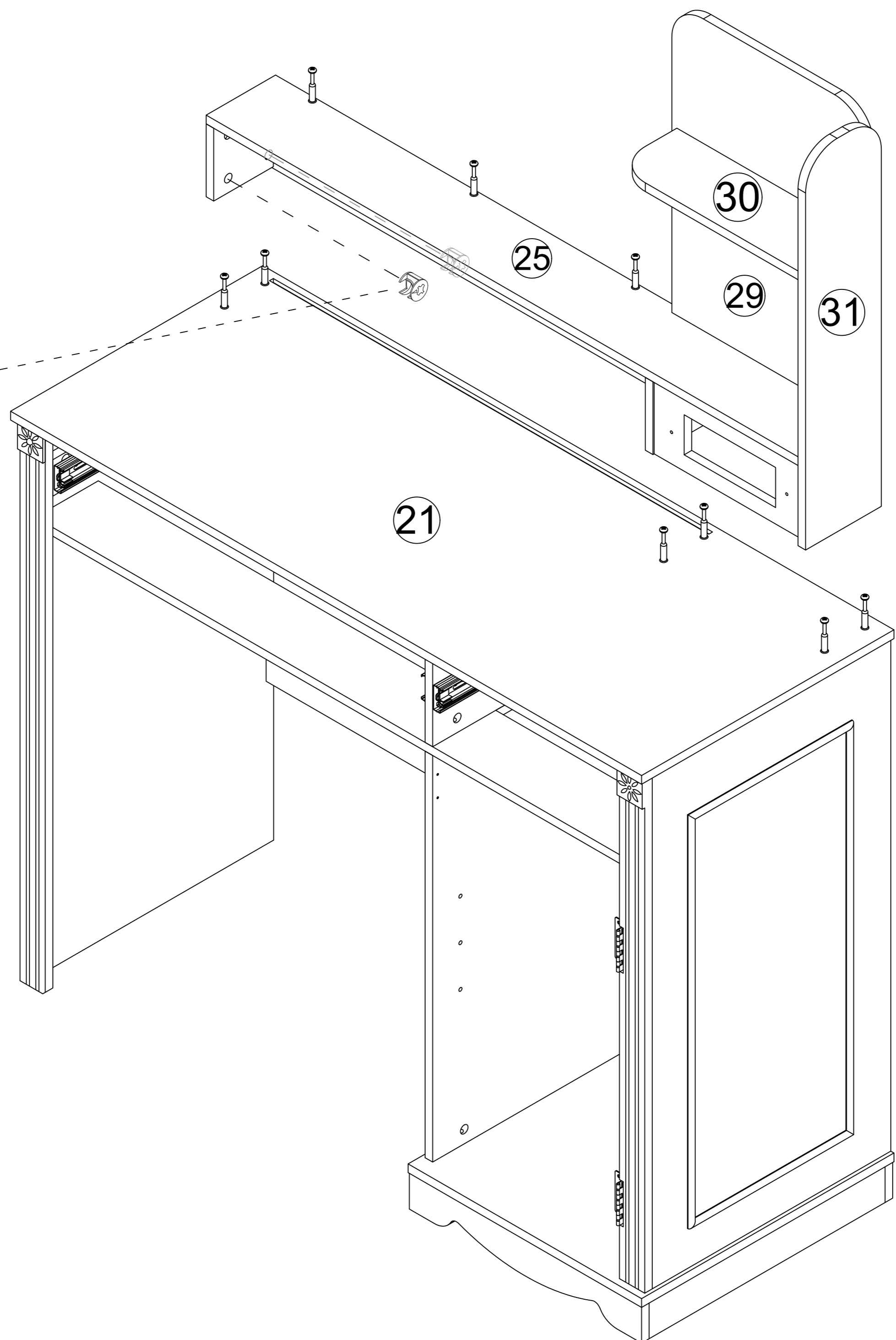
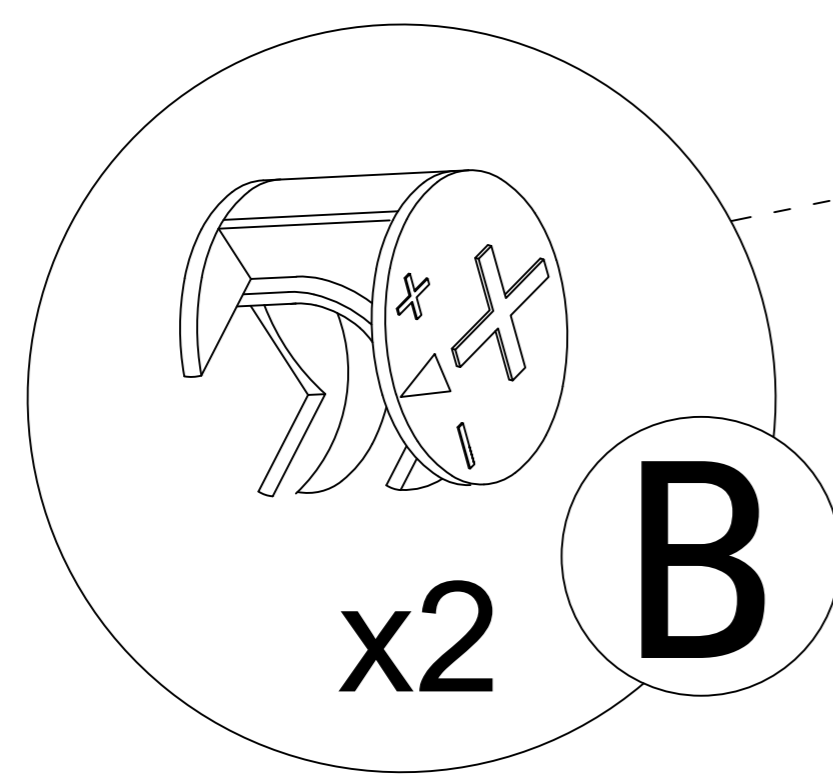
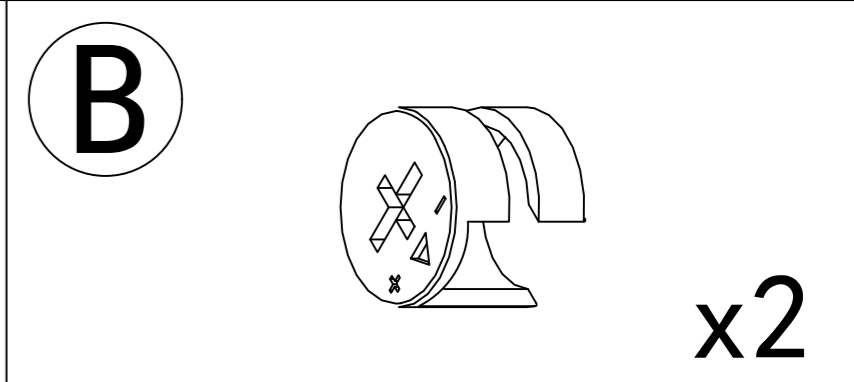
Step 61



Step 62

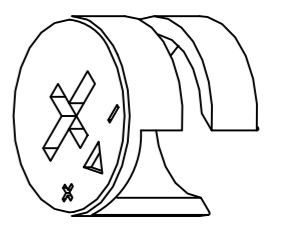


Step 63

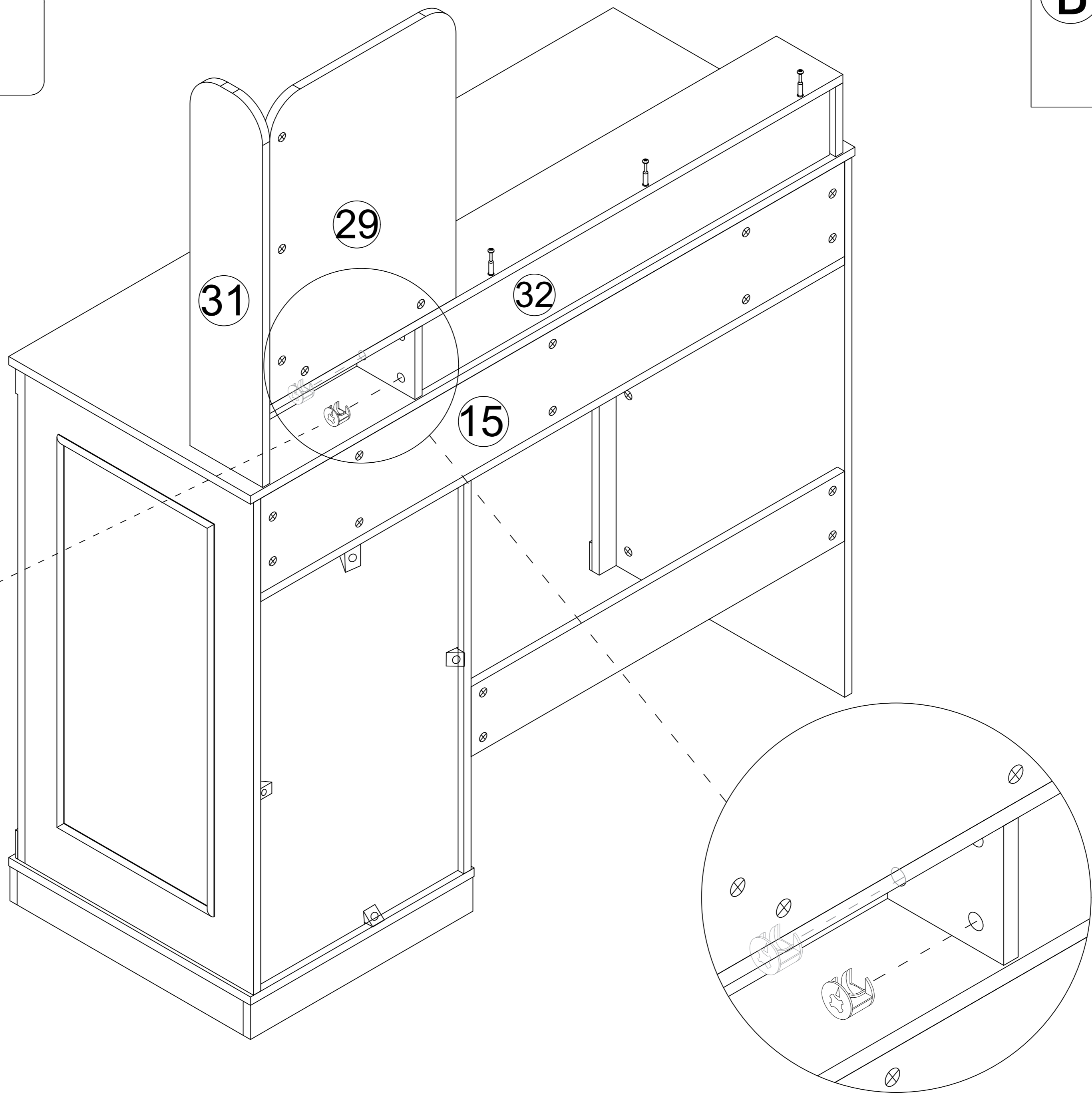
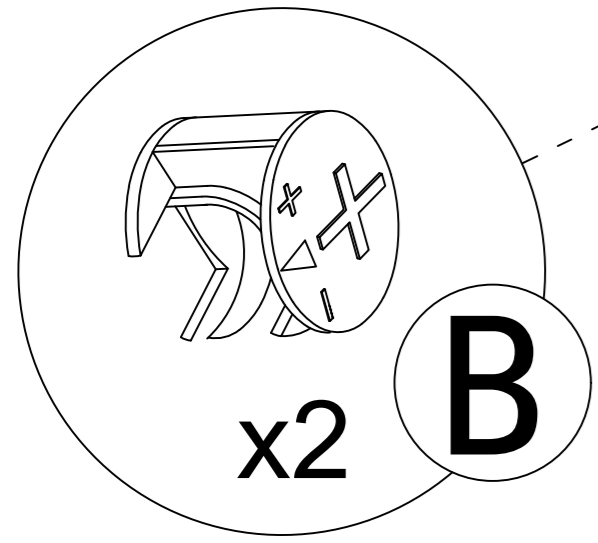


Step 64

B

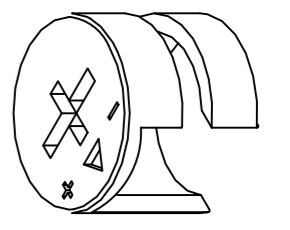


x2

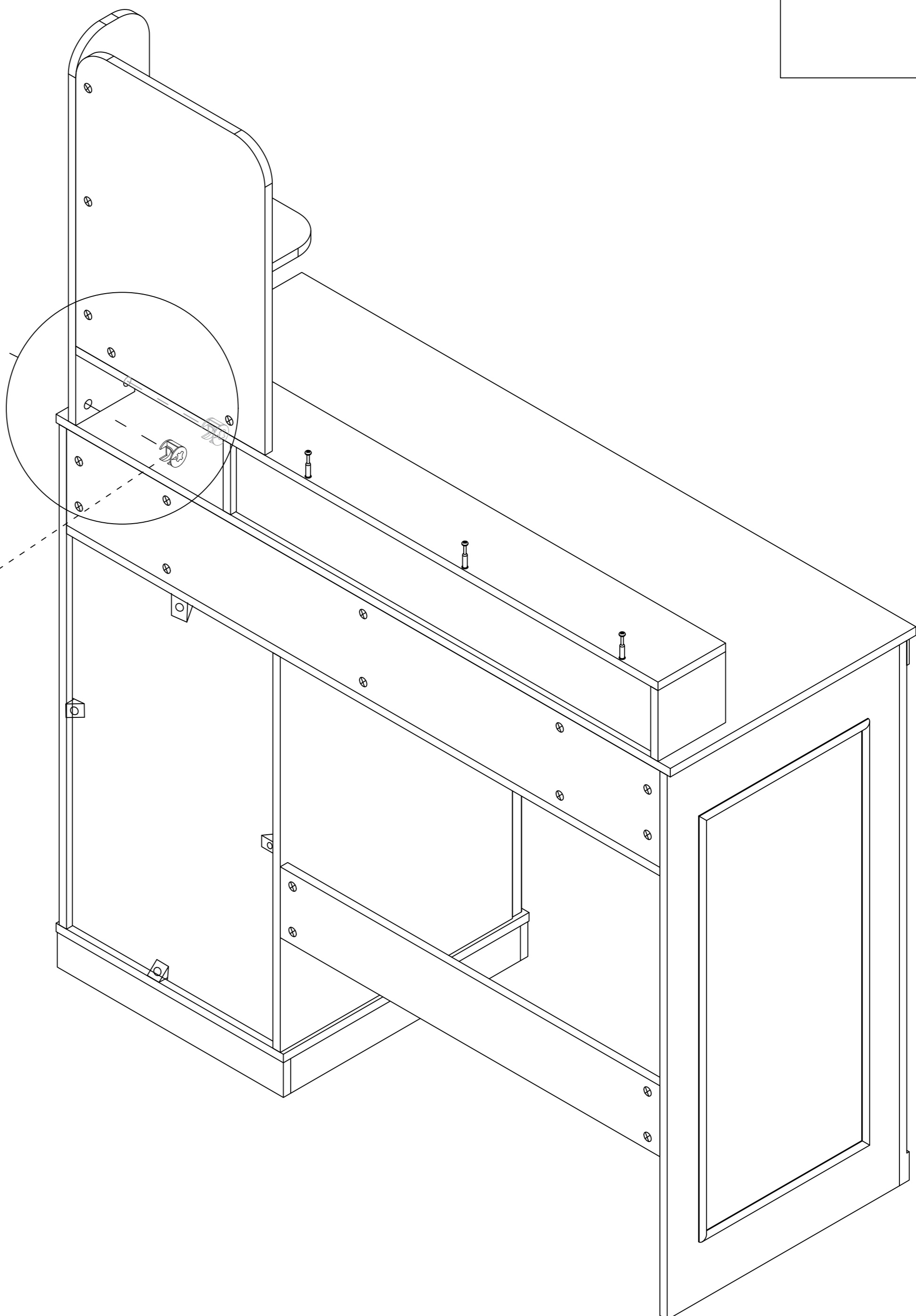
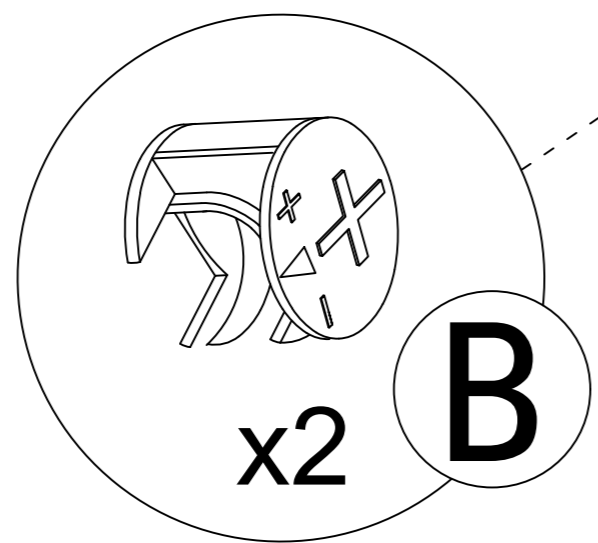
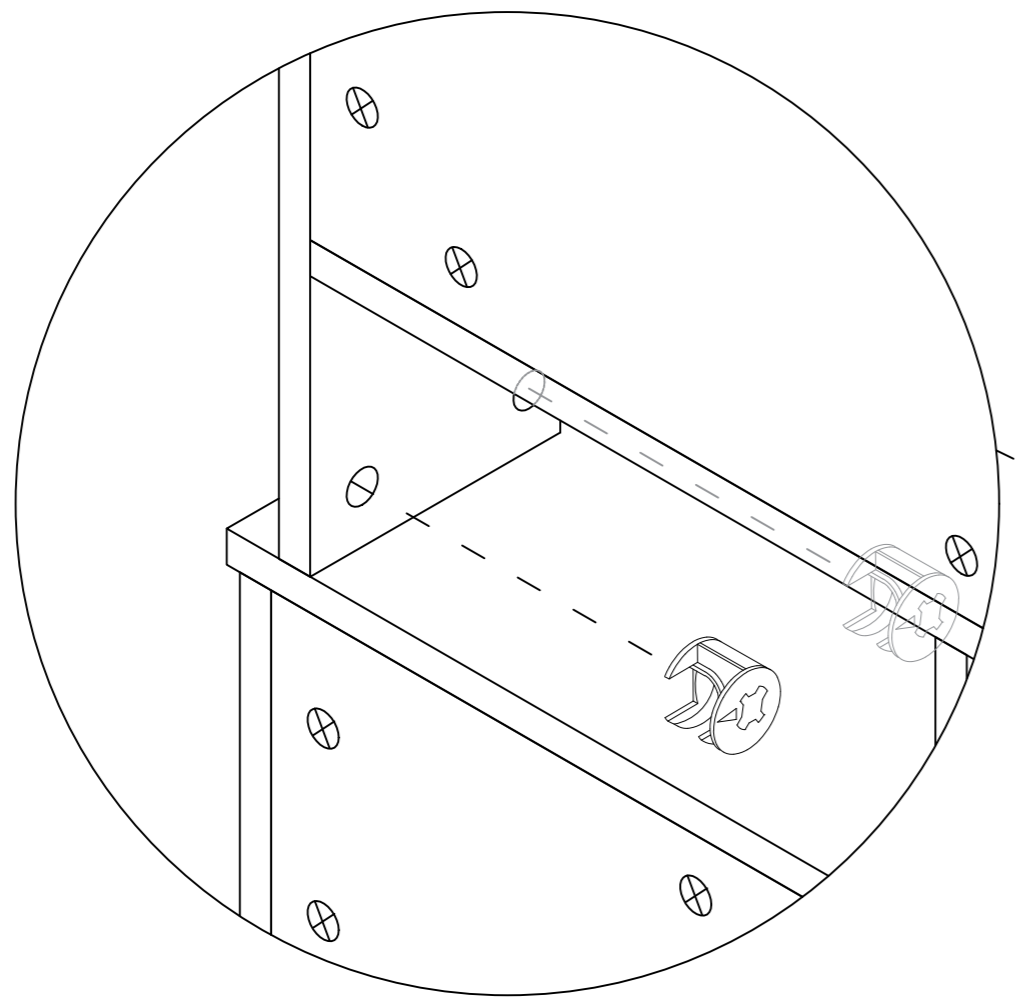


Step 65

B

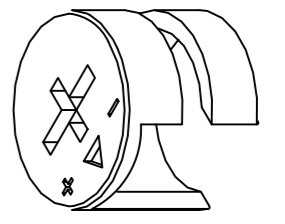


x2

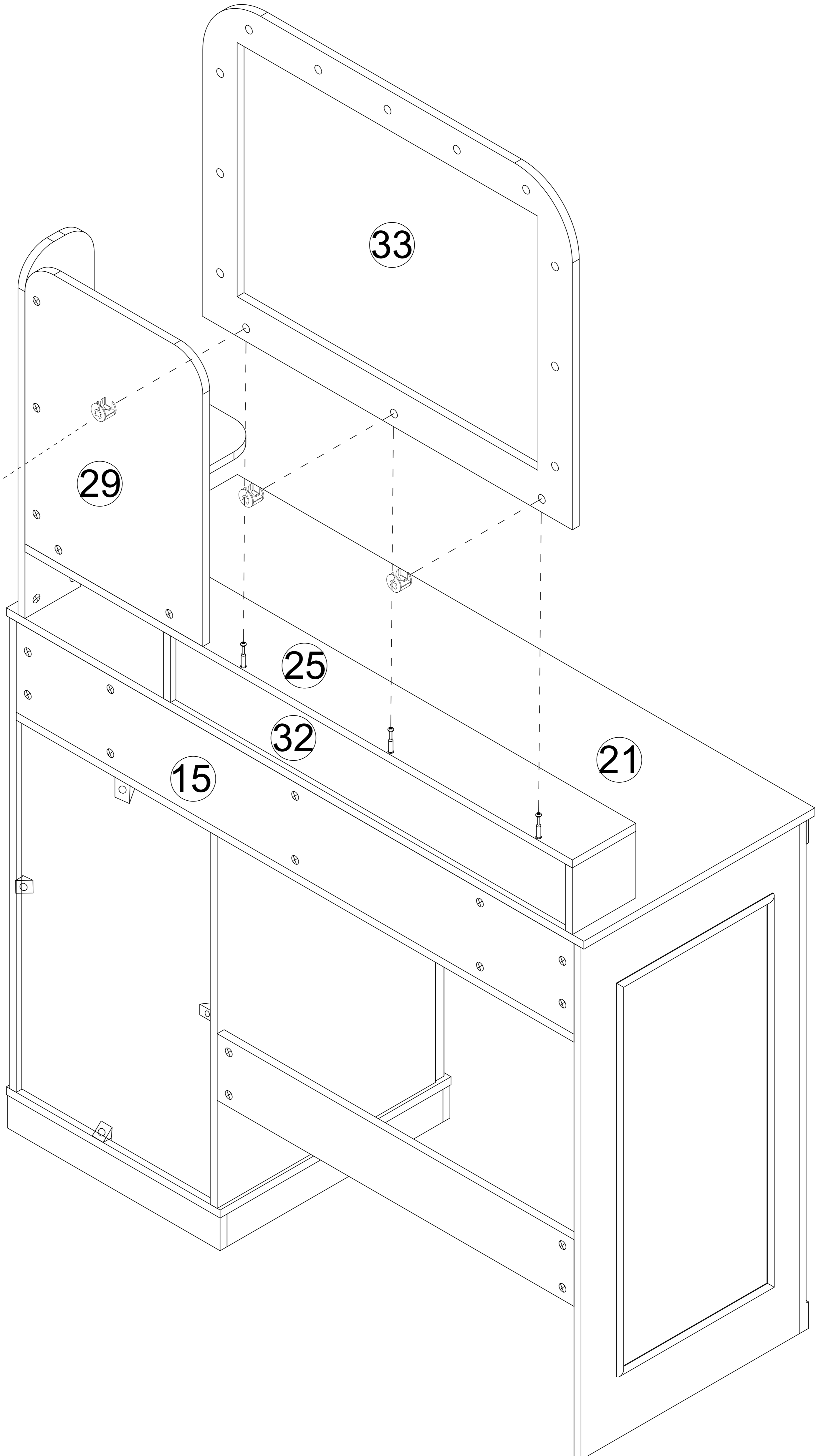
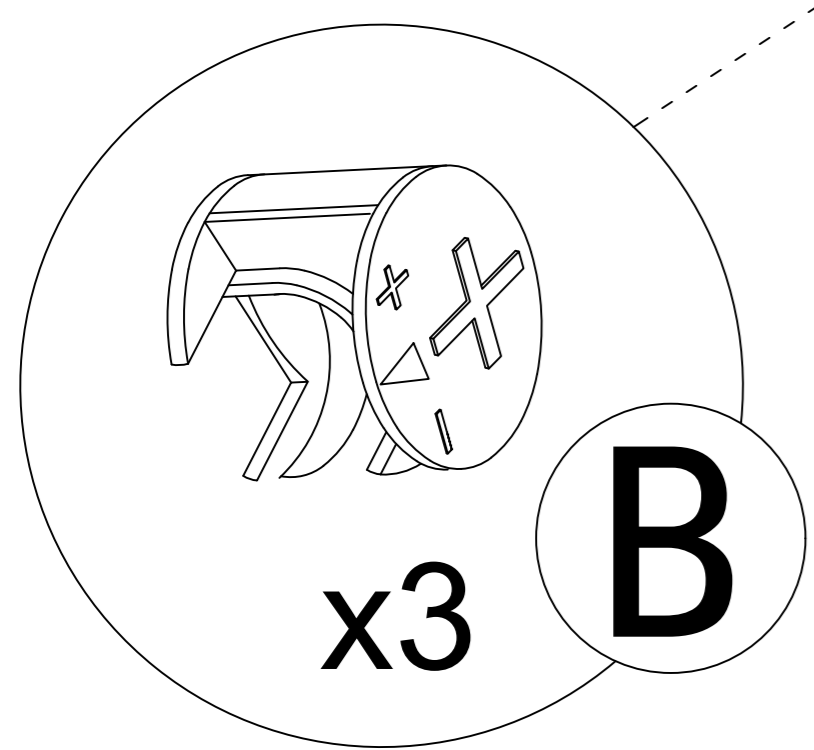


Step 66

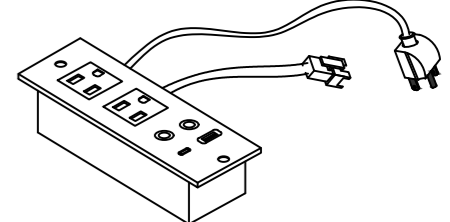
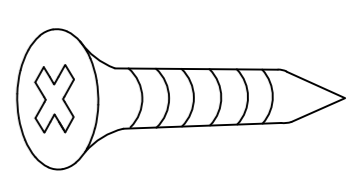
B

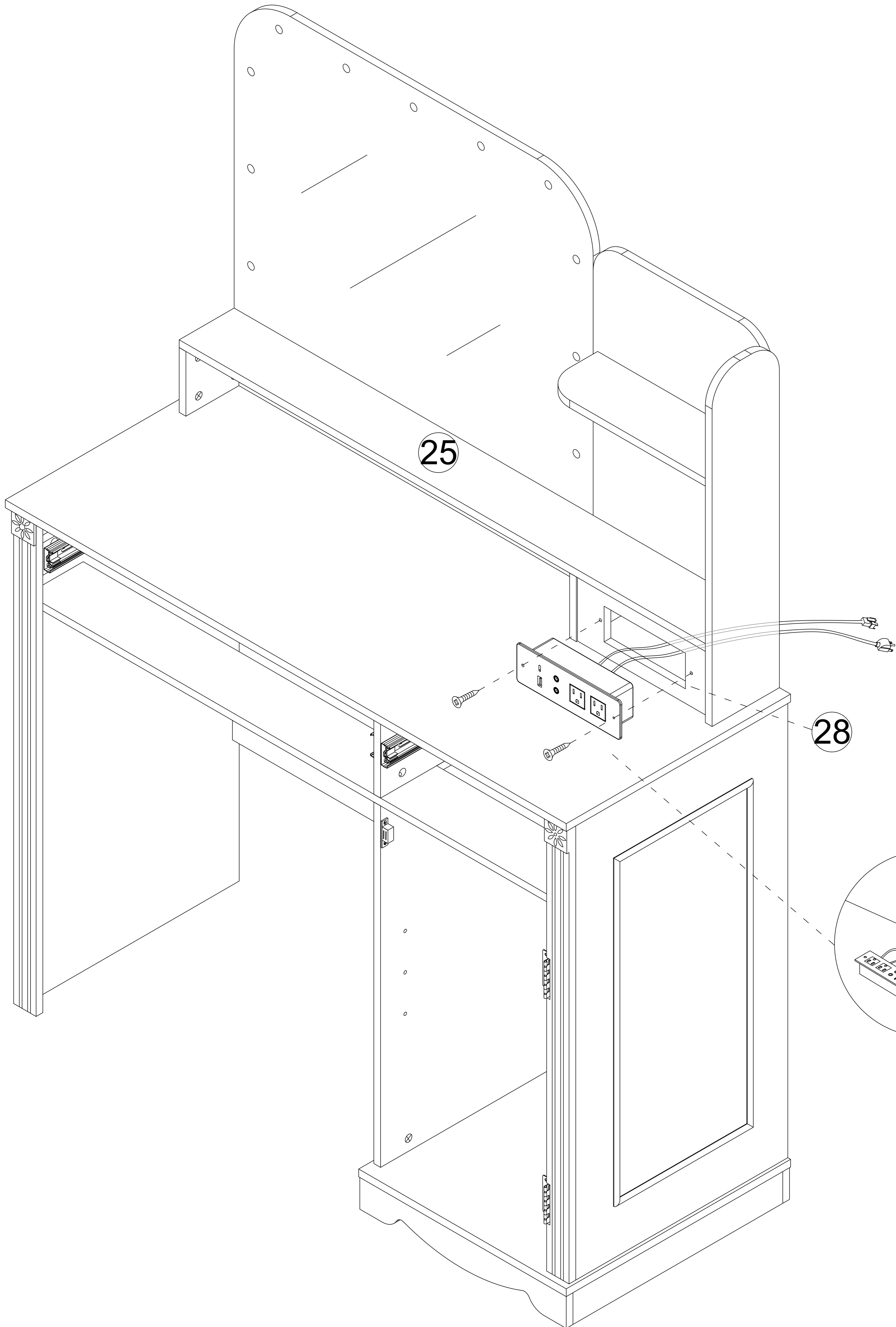


x3



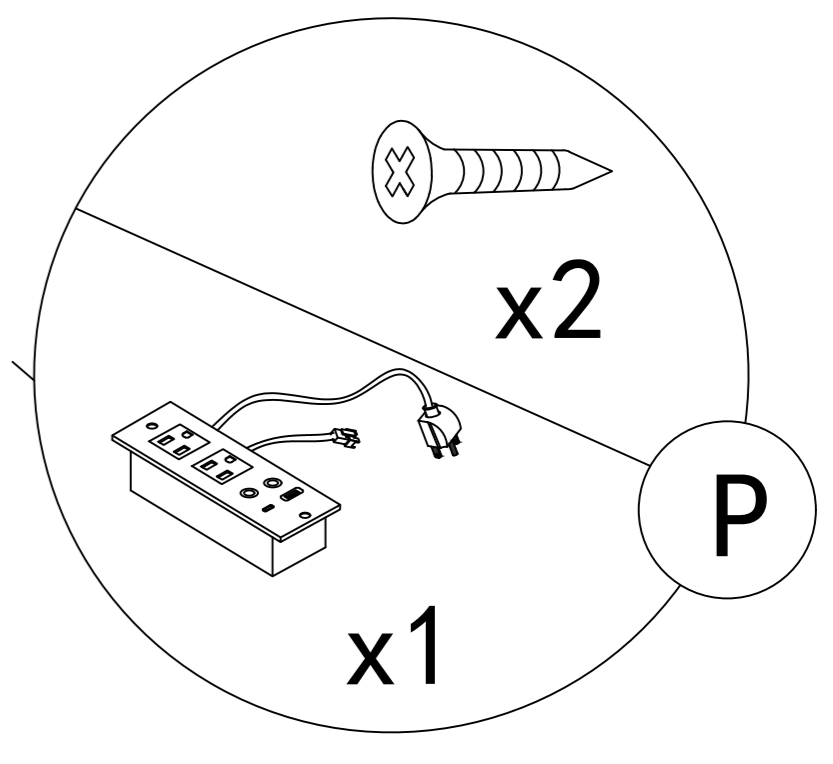
Step 67

- P**  x1
-  x2

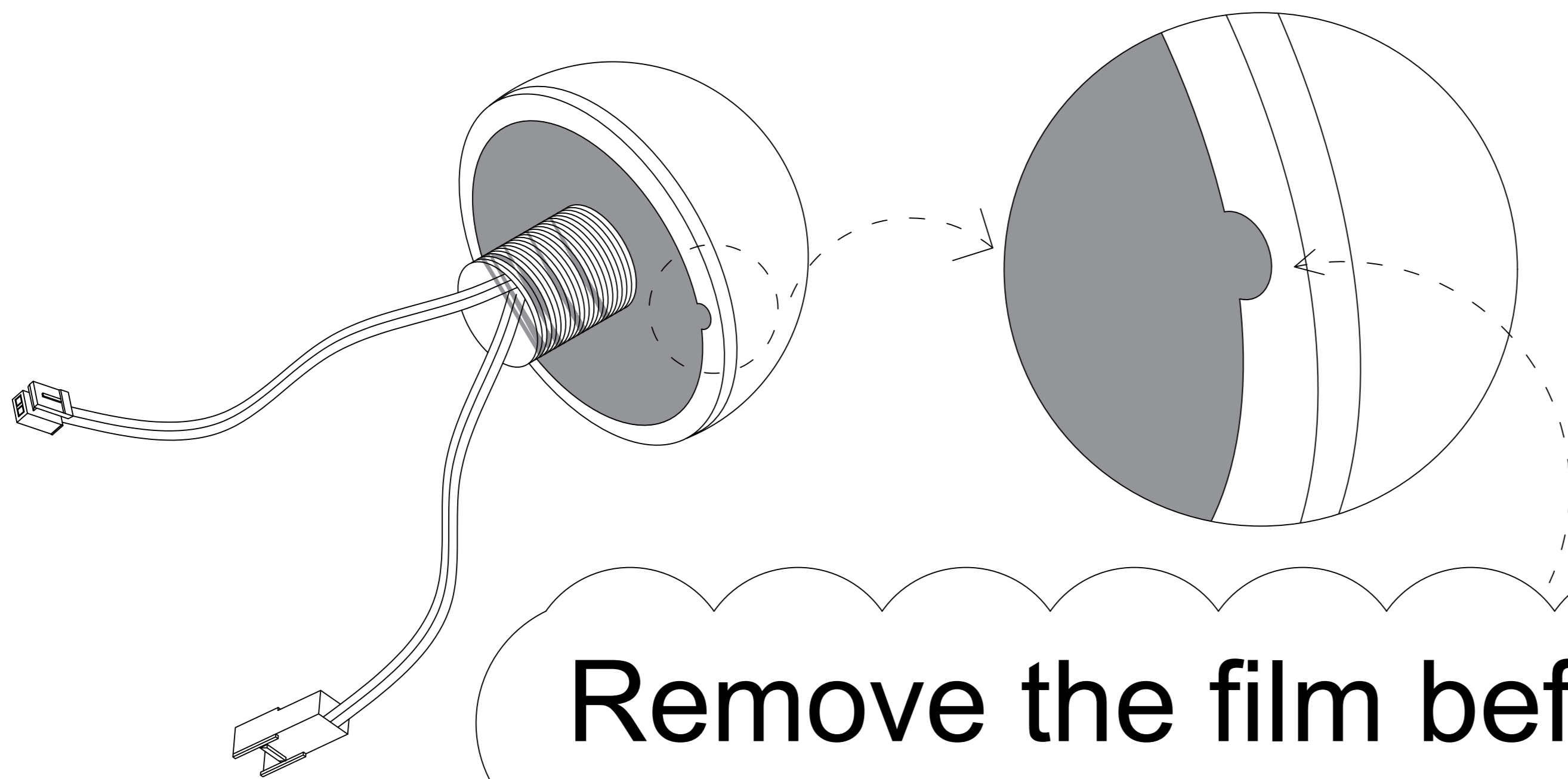


28

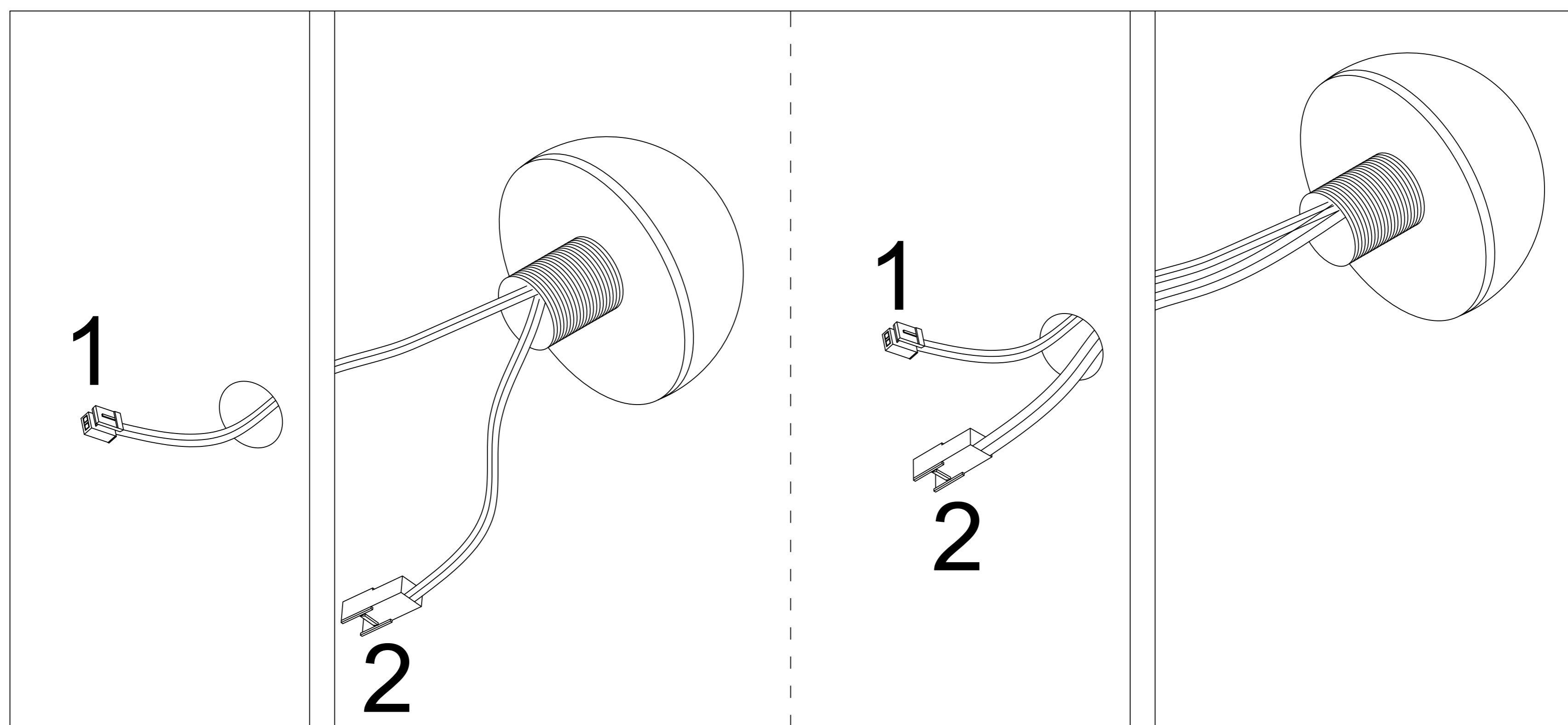
25



Step 68

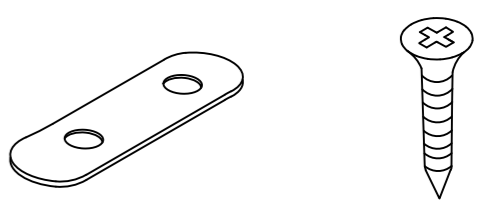
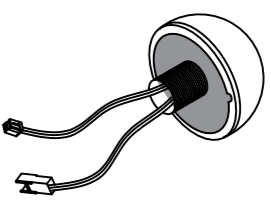
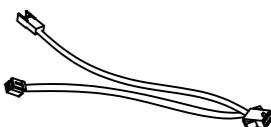


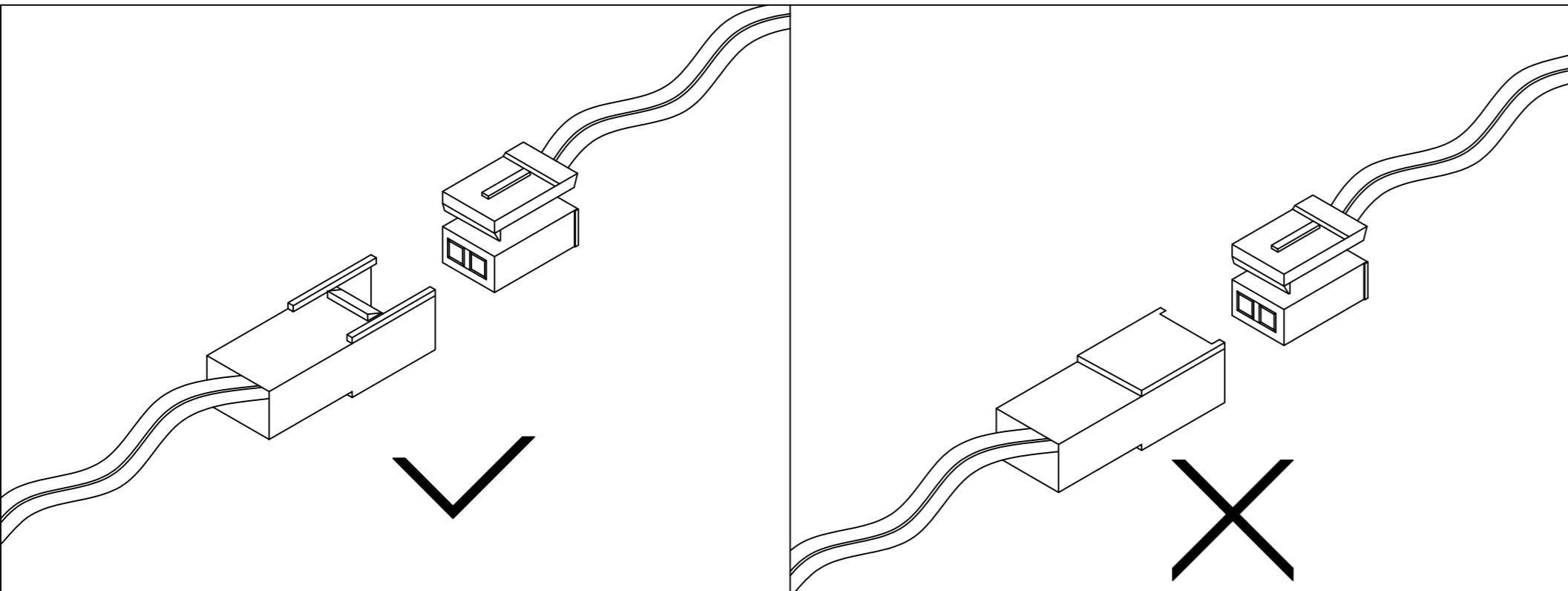
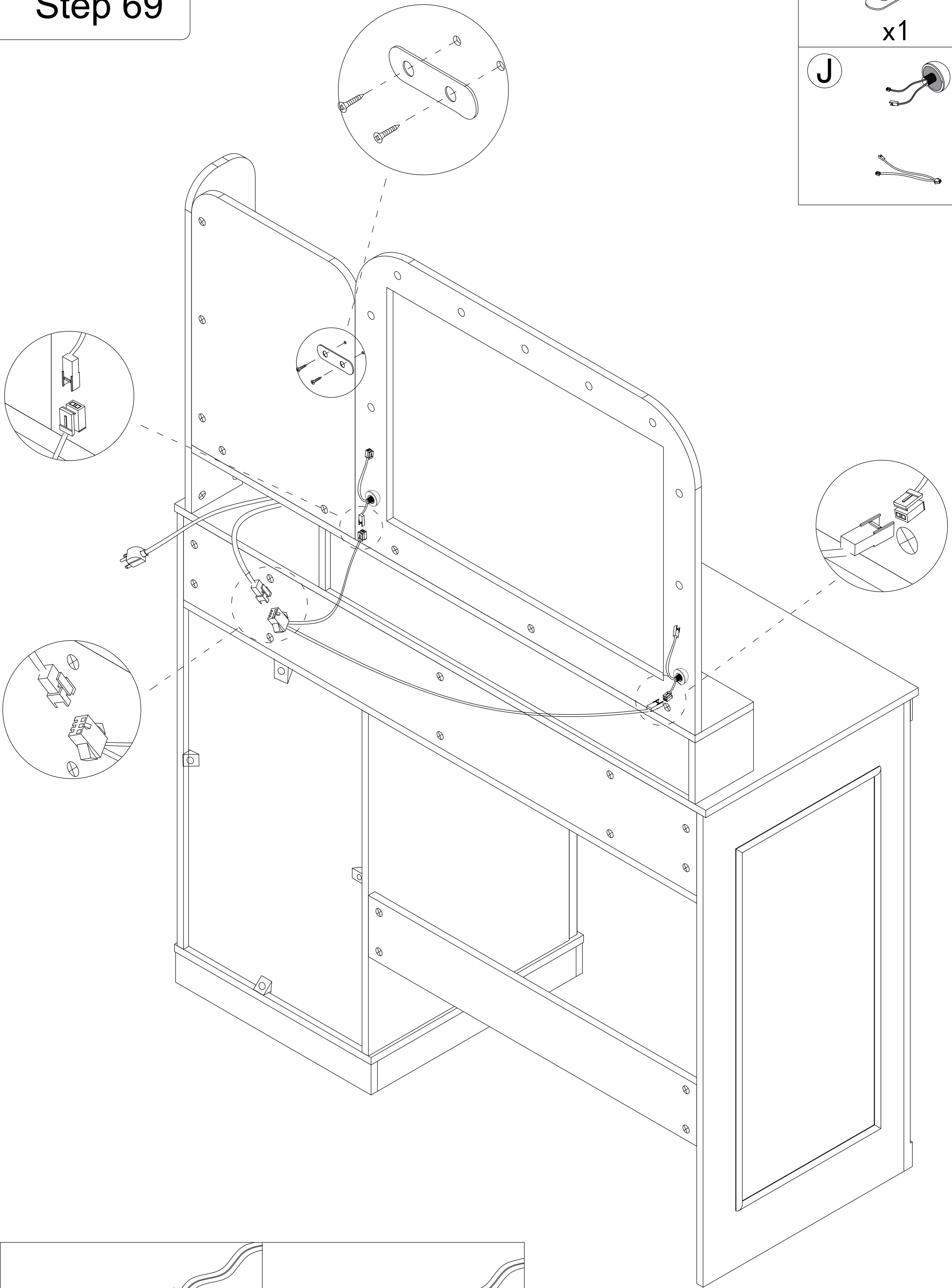
Remove the film before installation



Make sure that you insert 2 cables on bulb through prepared holes on board, suggest to insert once a time.

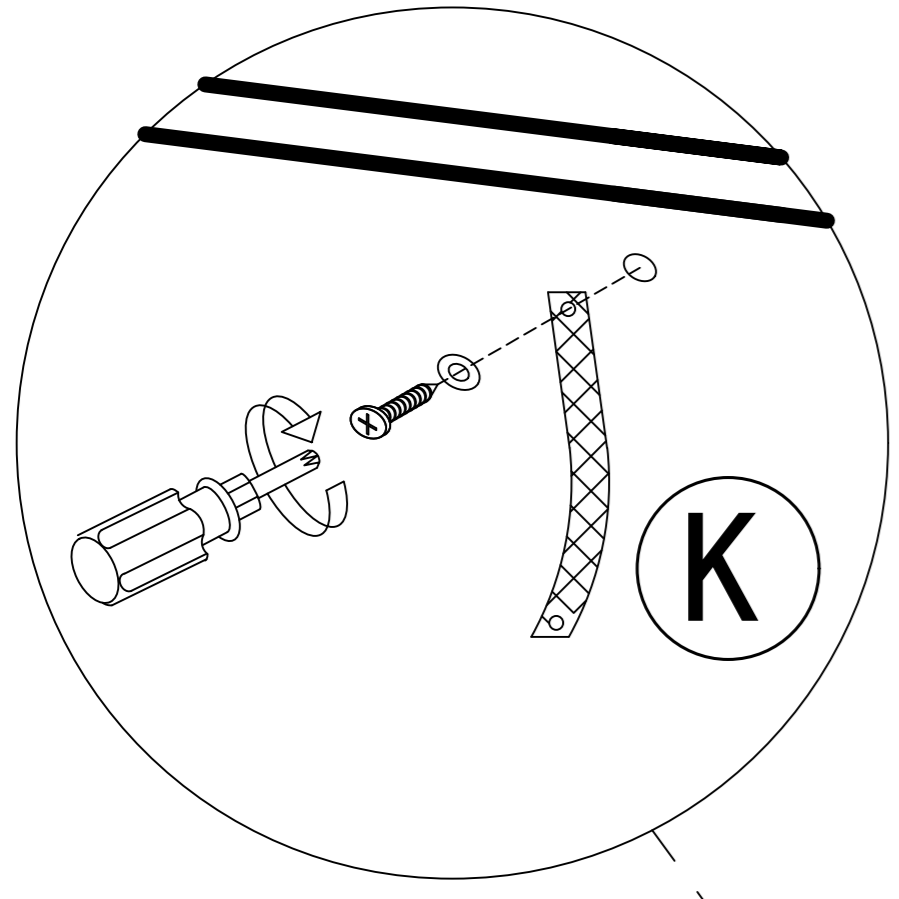
Step 69

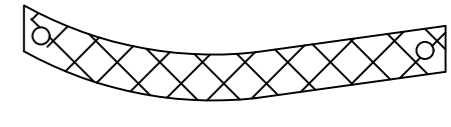
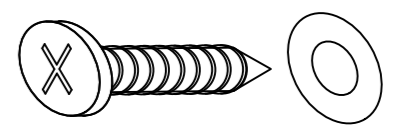
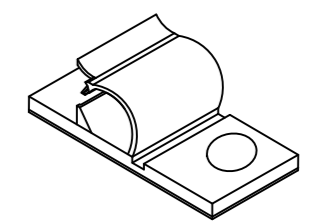
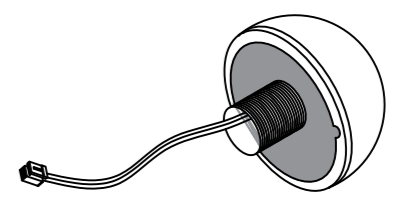
- 0**  x1 x2
- J**  x2
-  x1

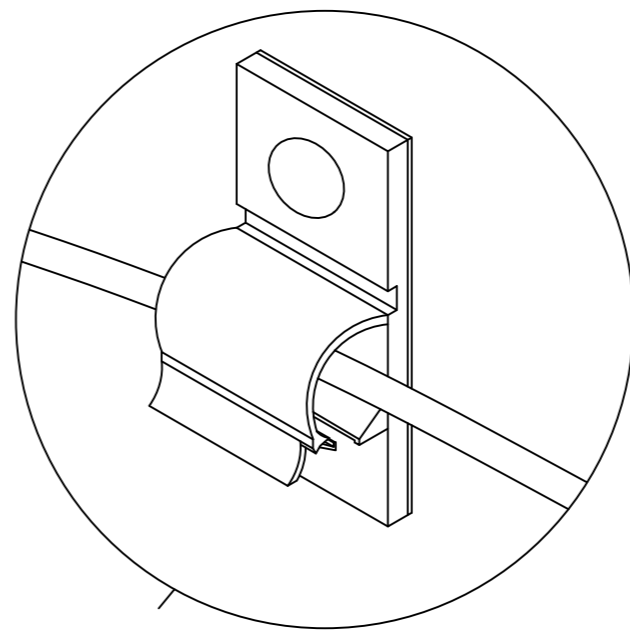
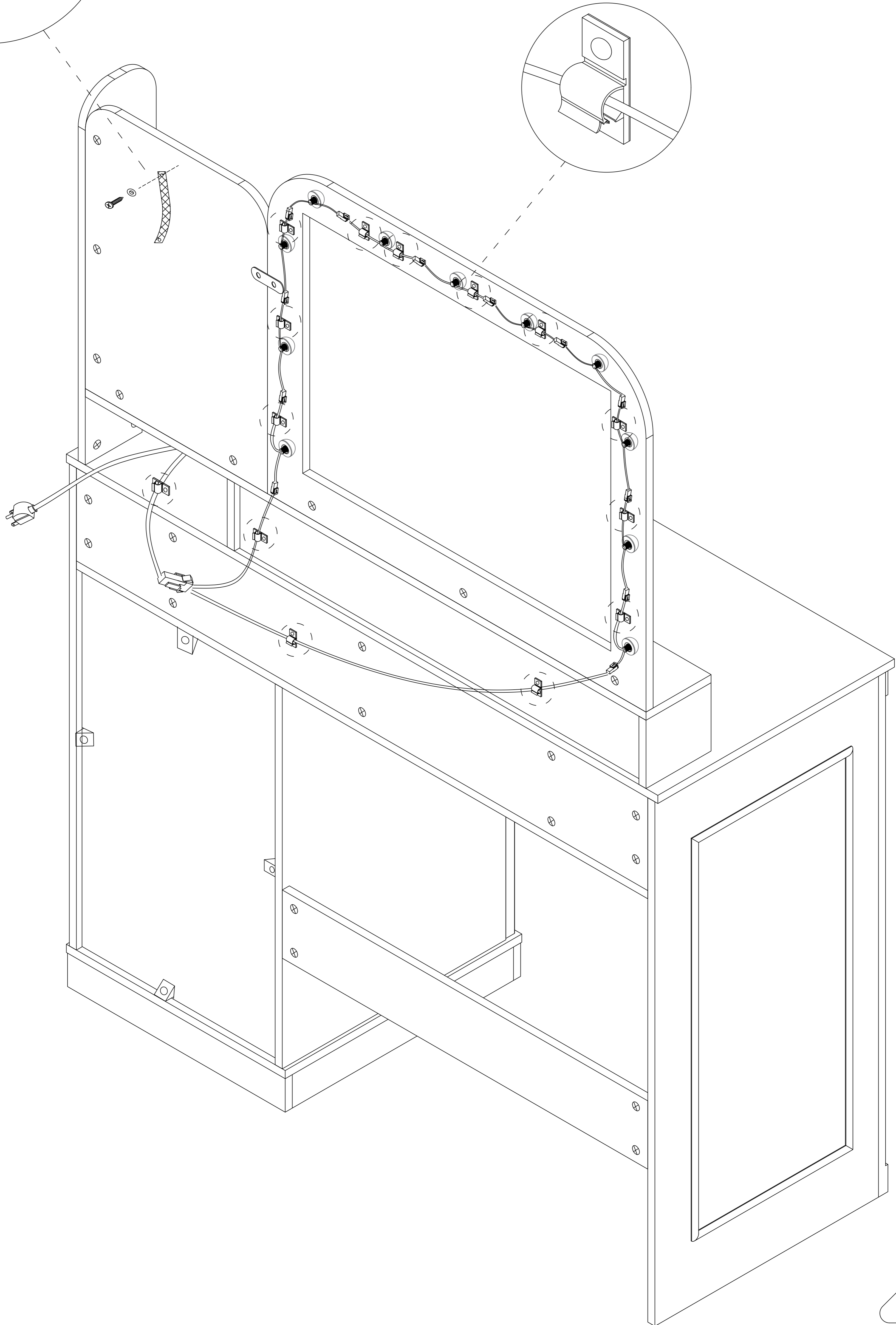


Step 70

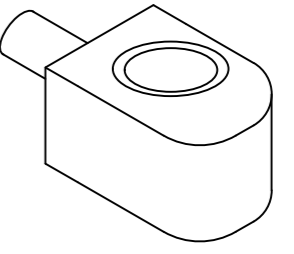
Fix the anti-rewind screw in the reserved hole of the product

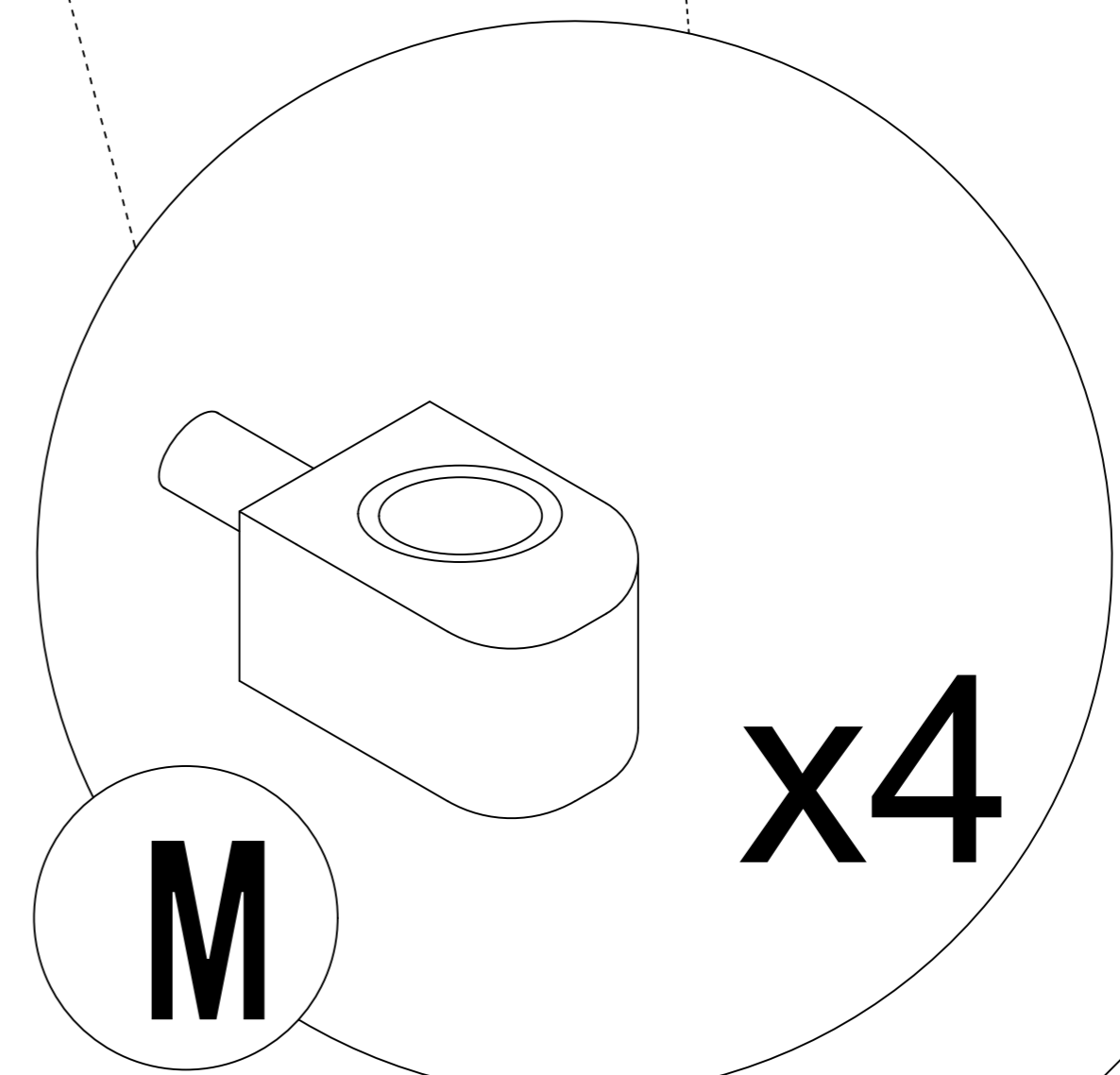
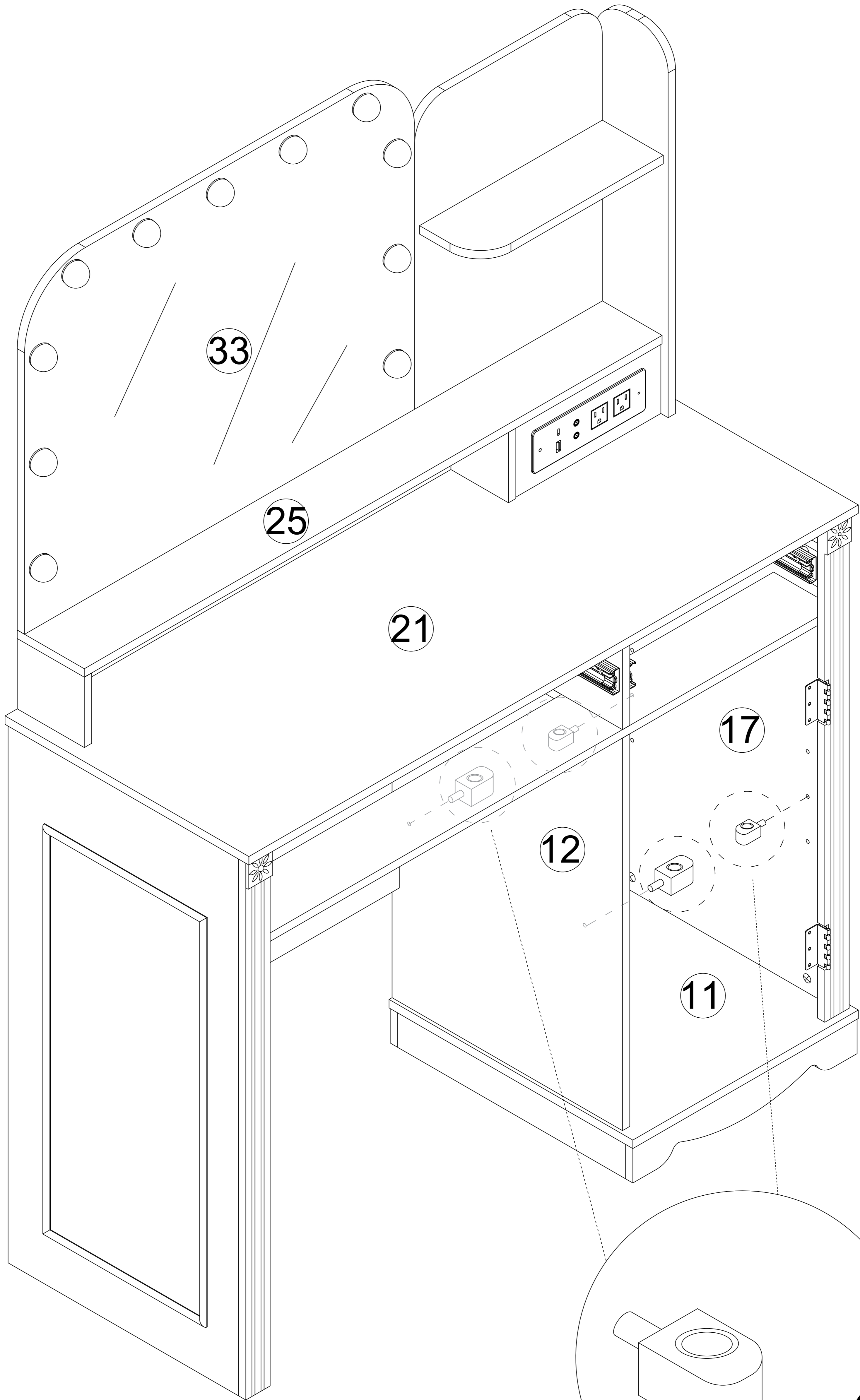


- K**  x1
-  x1
- L**  x14
- J**  x9

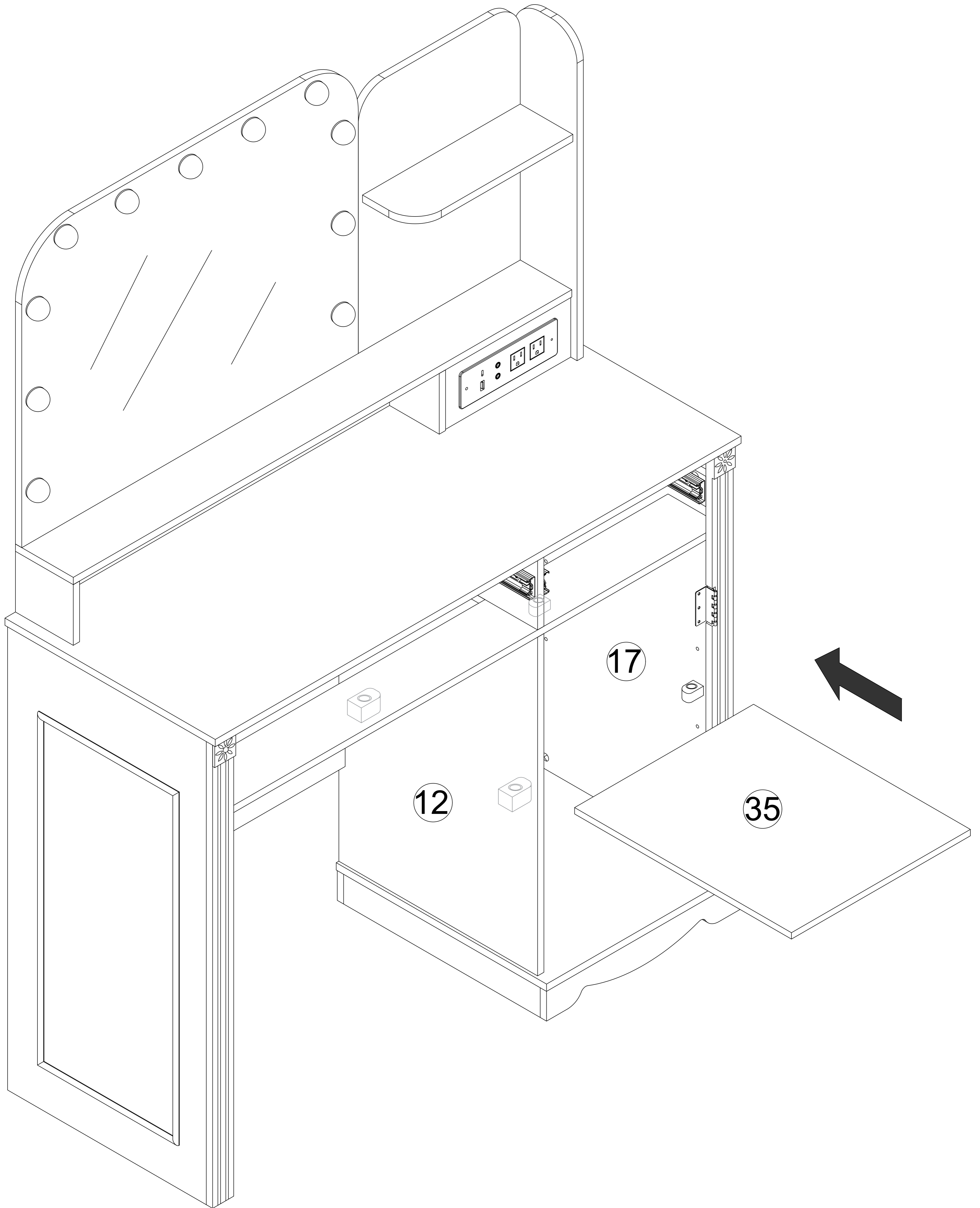


Step 71

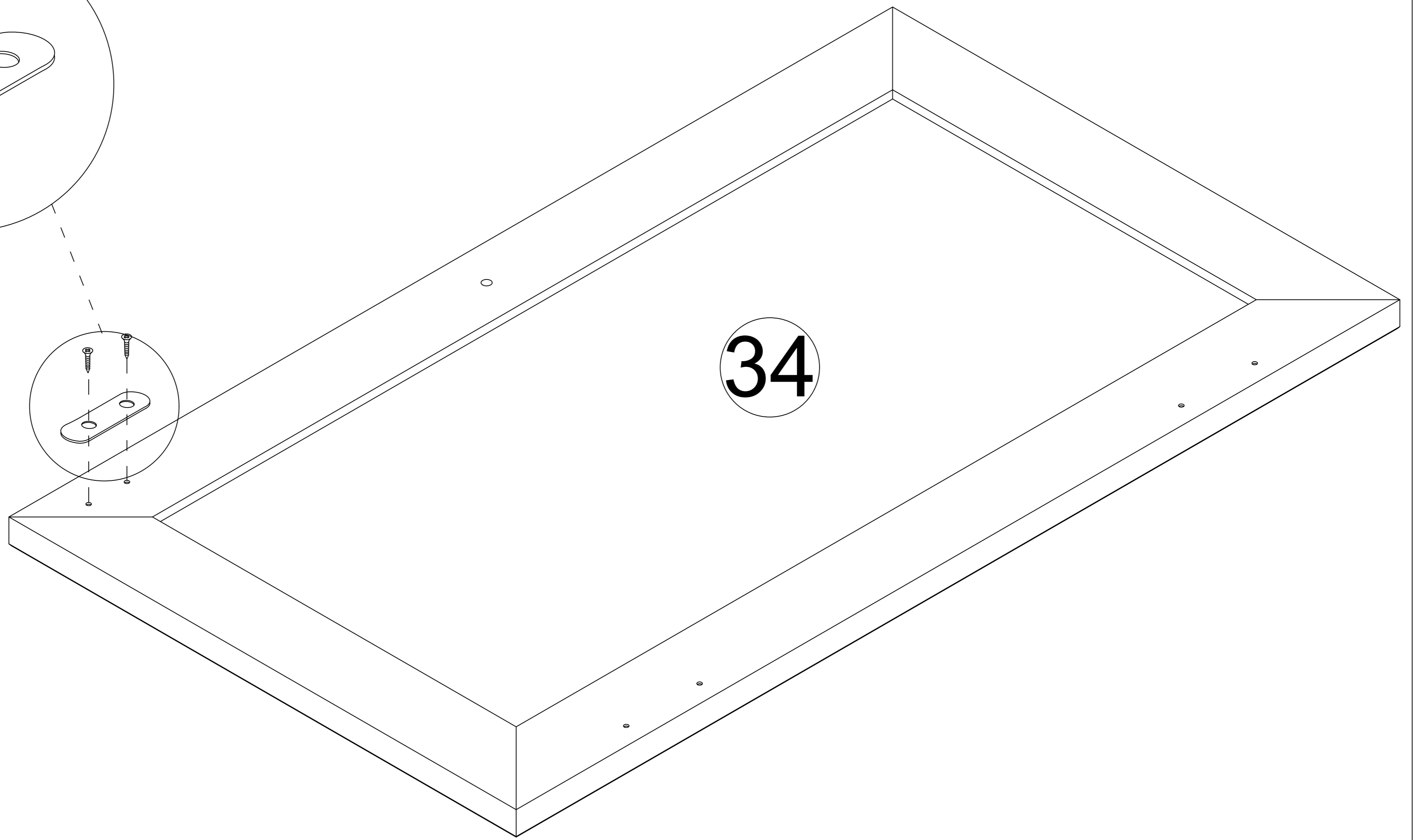
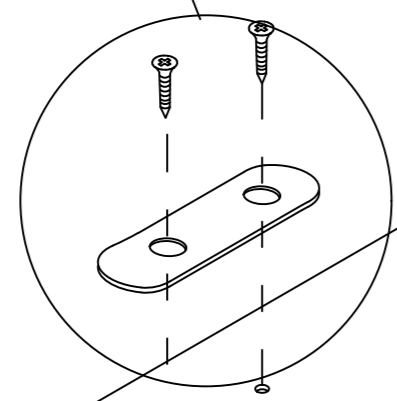
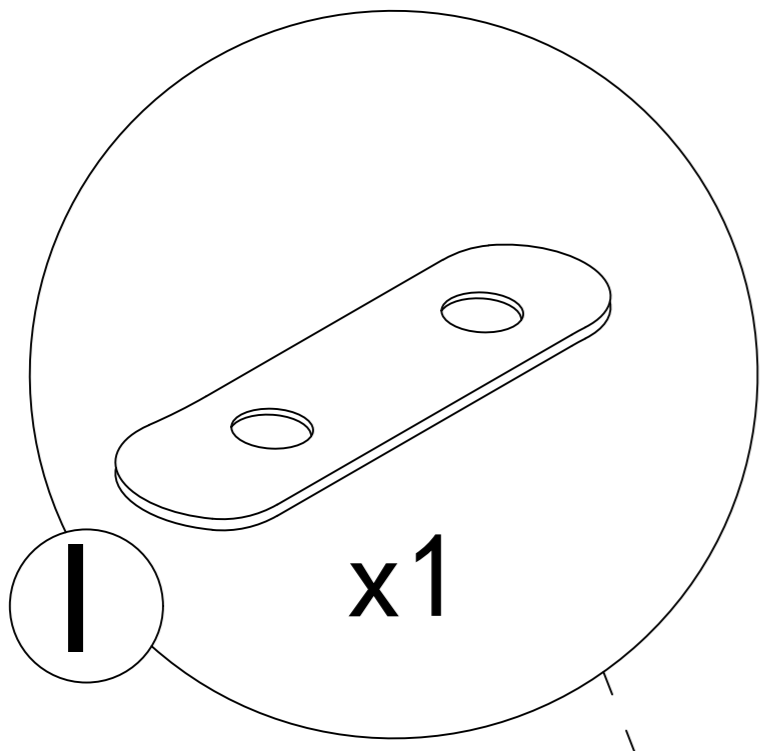
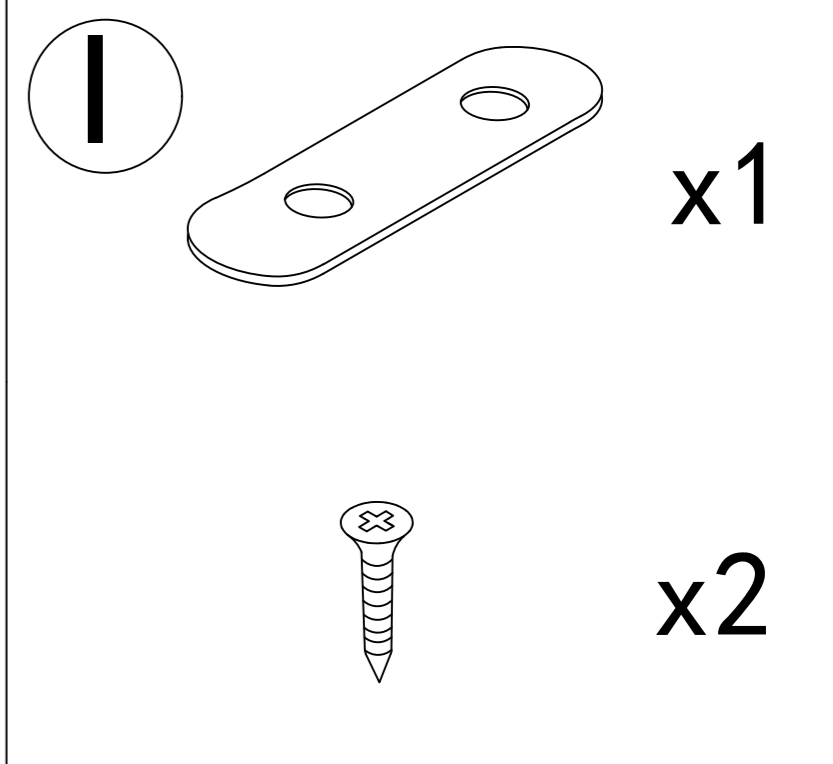
M  x4



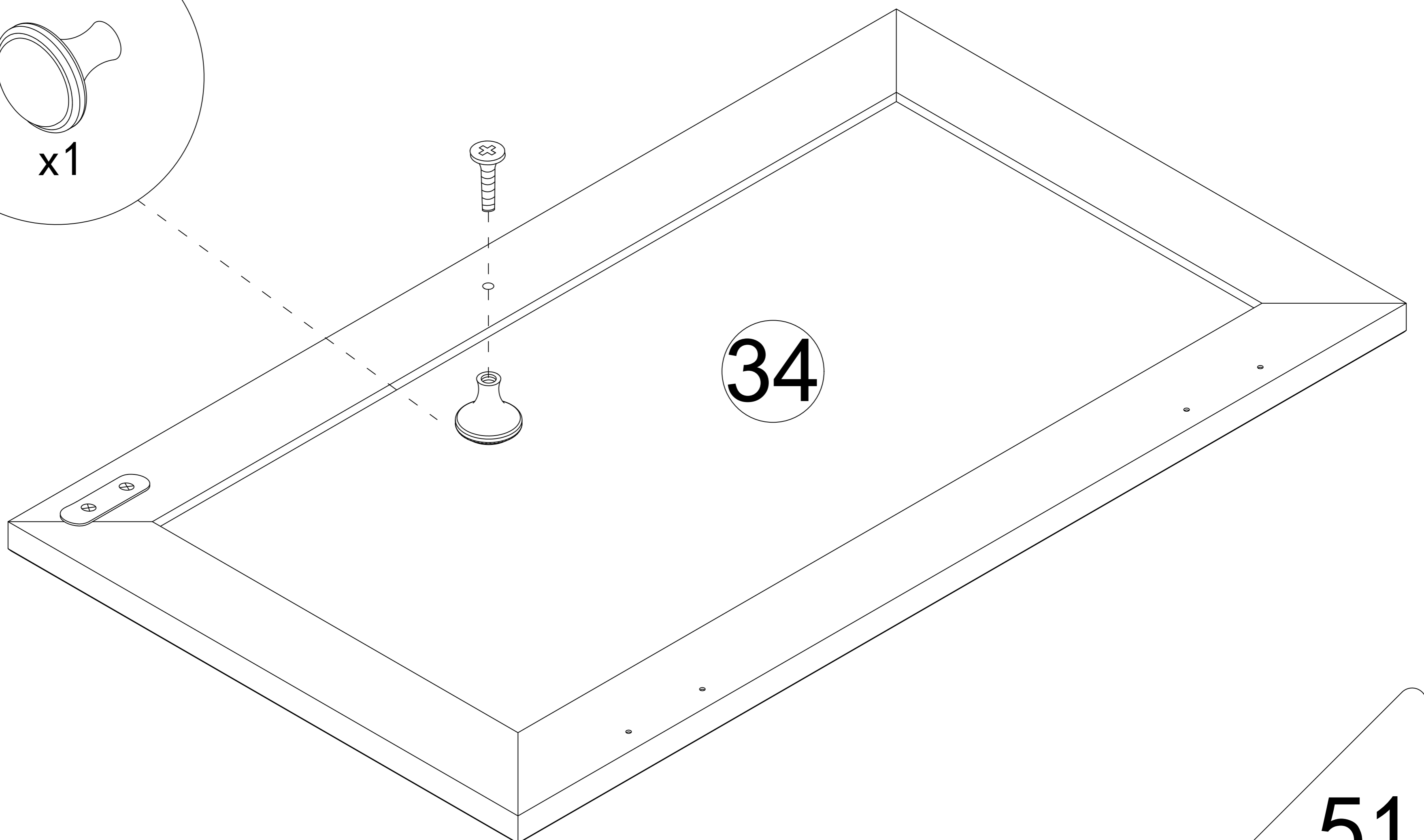
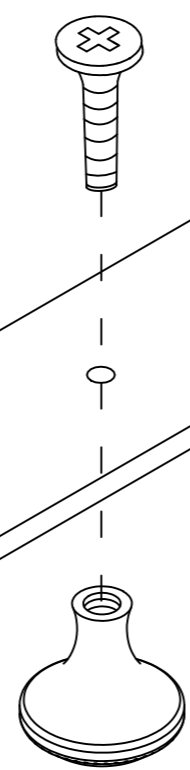
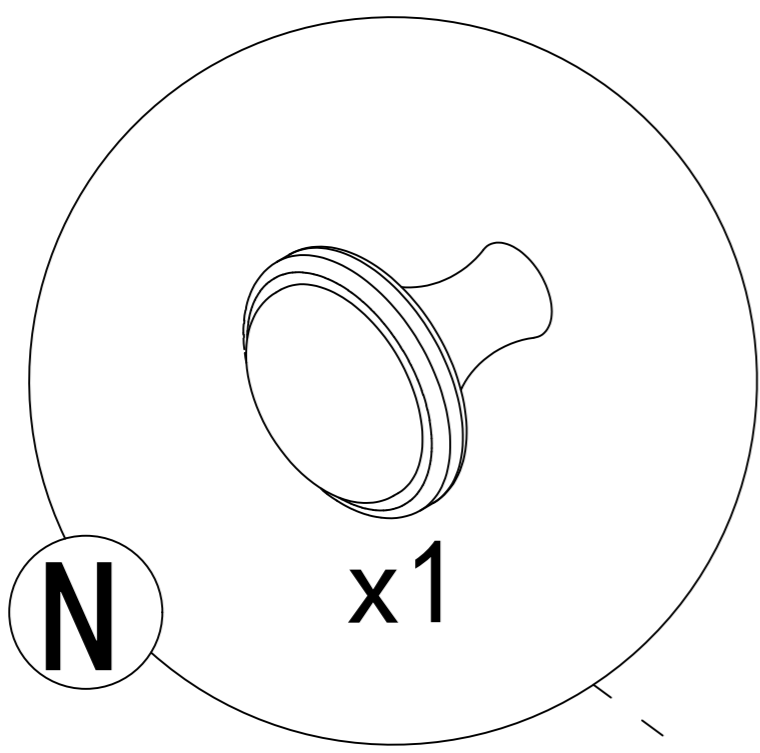
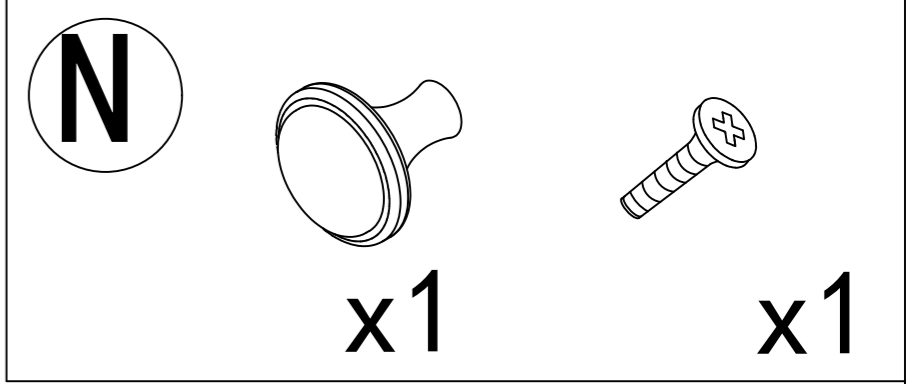
Step 72



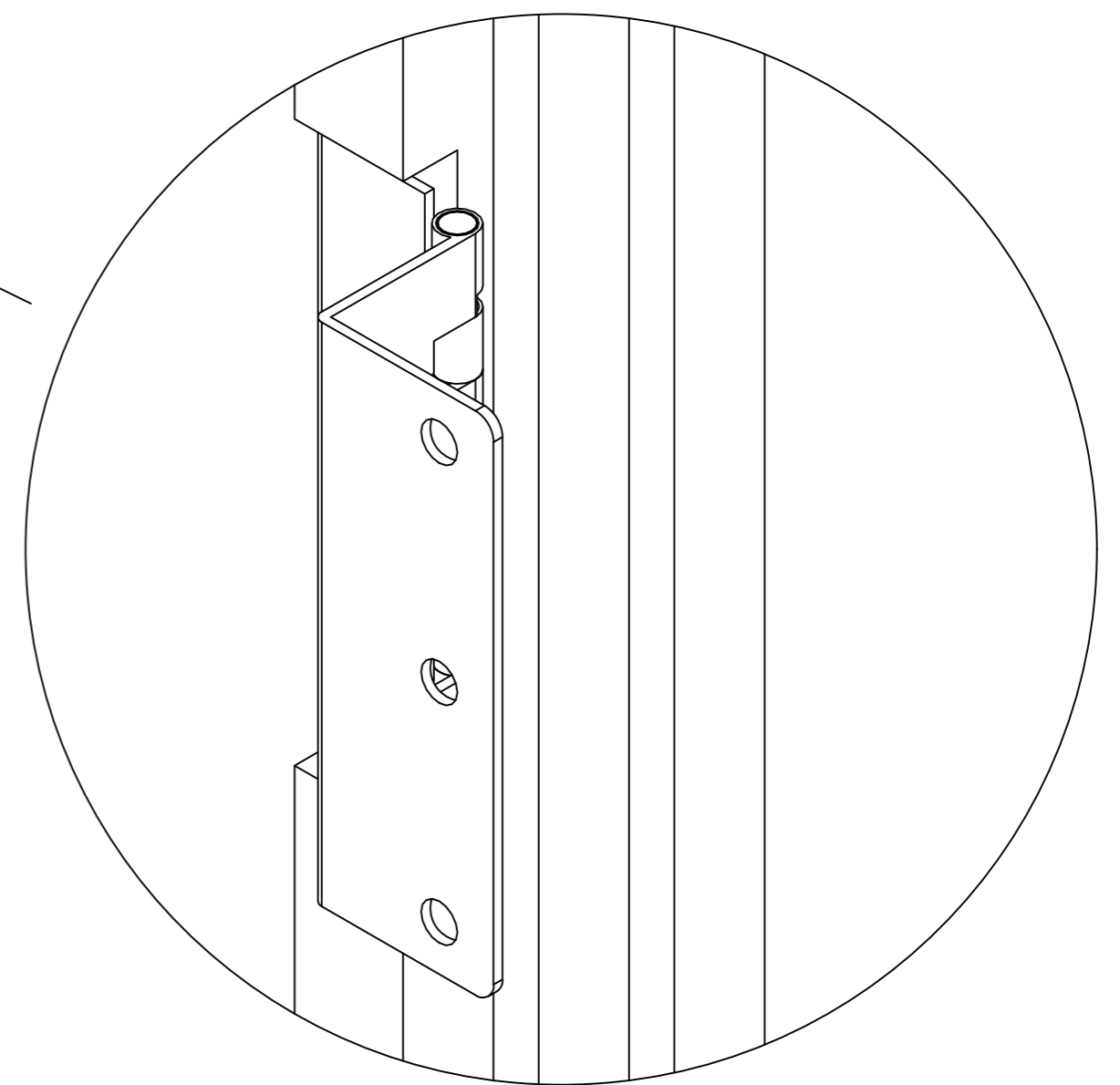
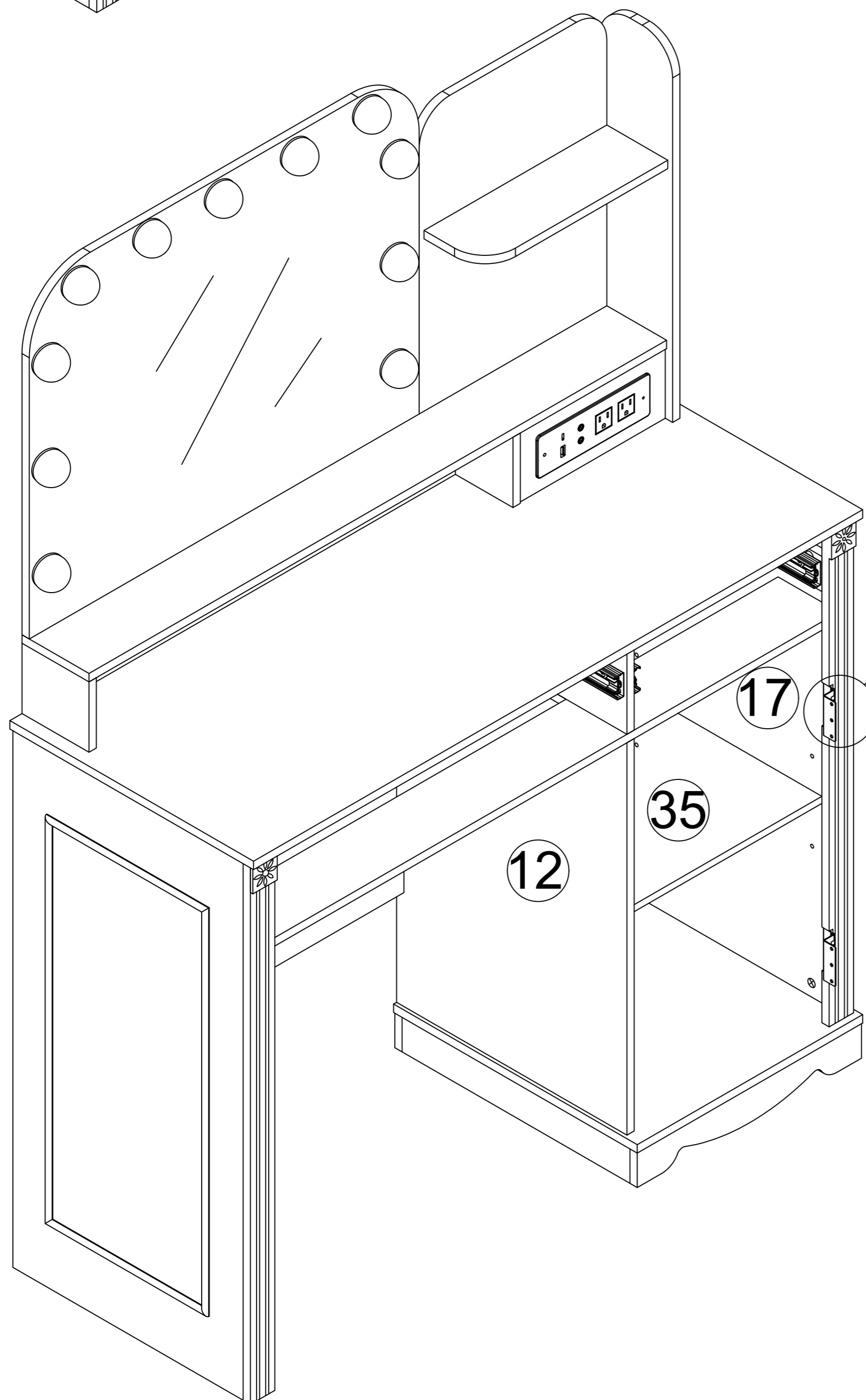
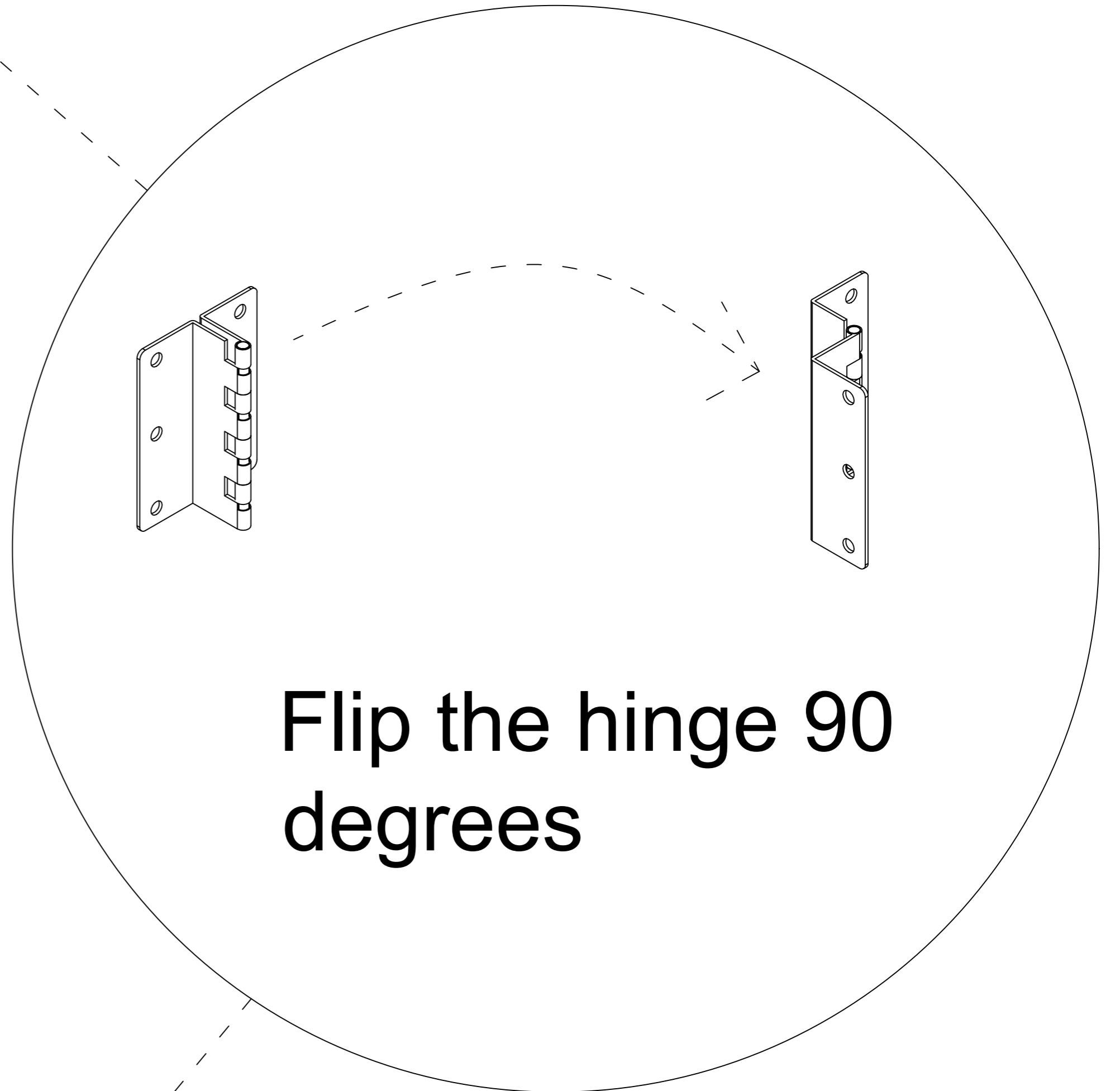
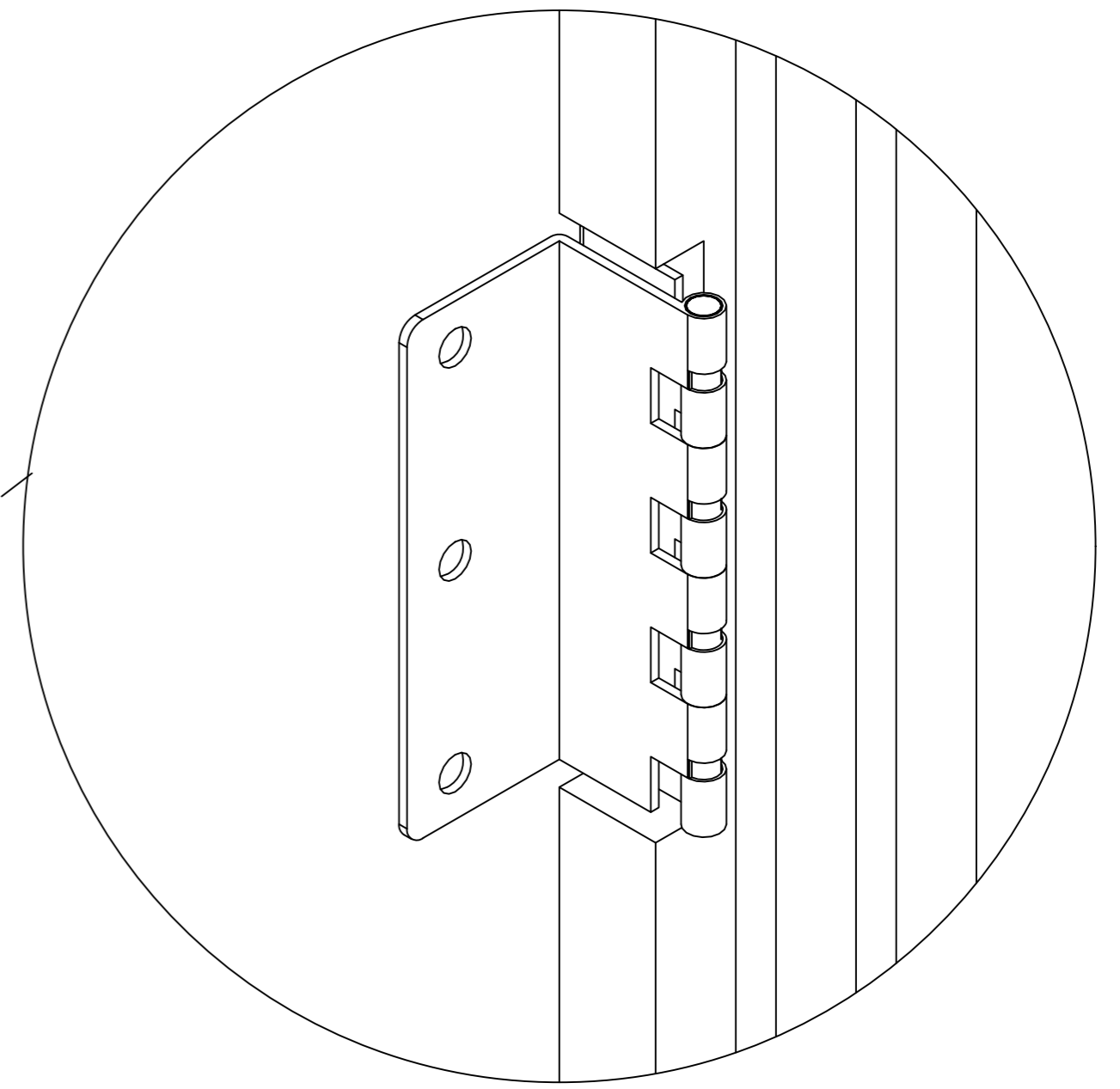
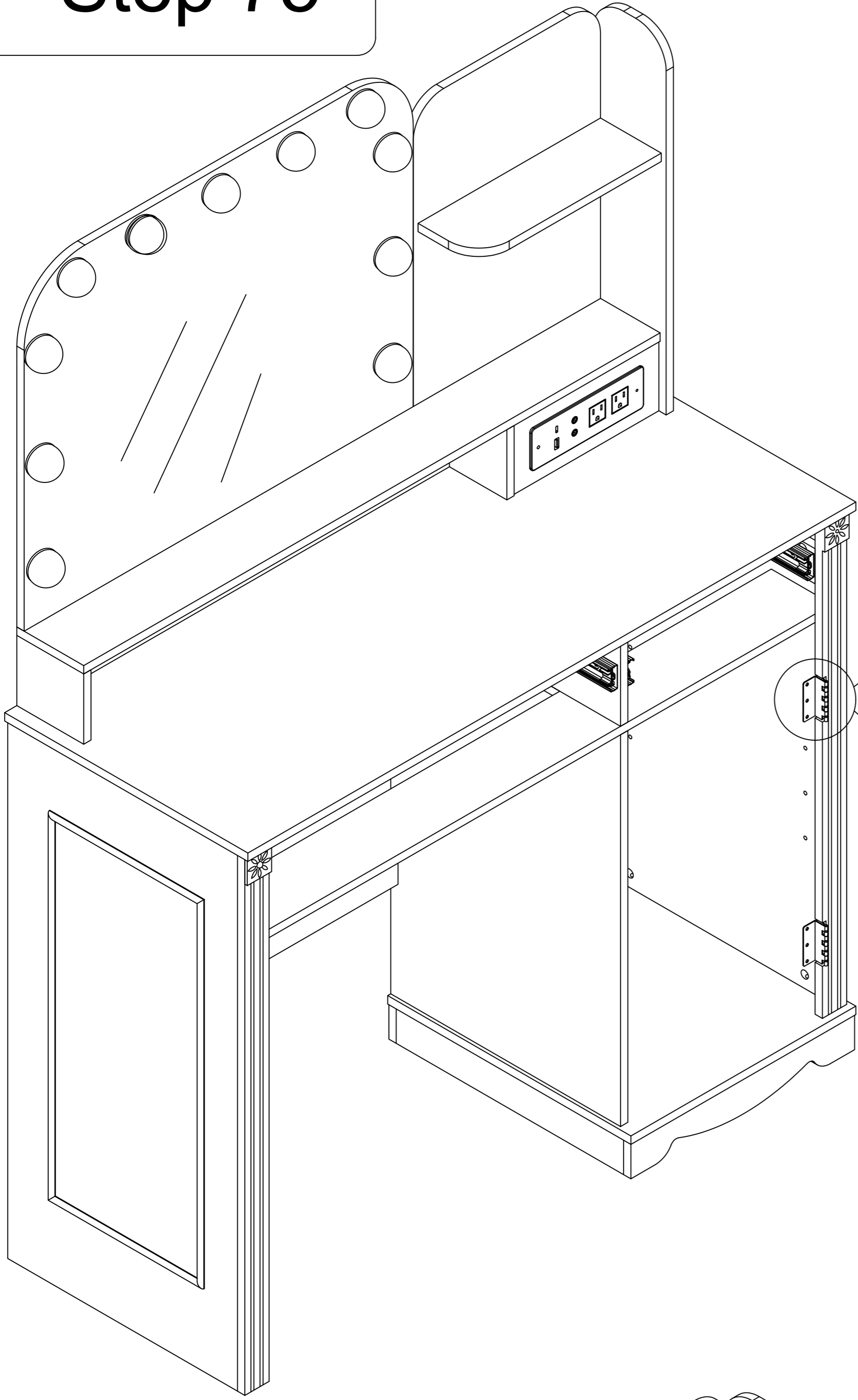
Step 73



Step 74

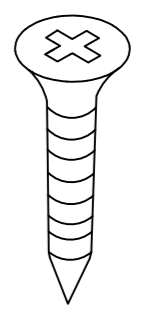


Step 75

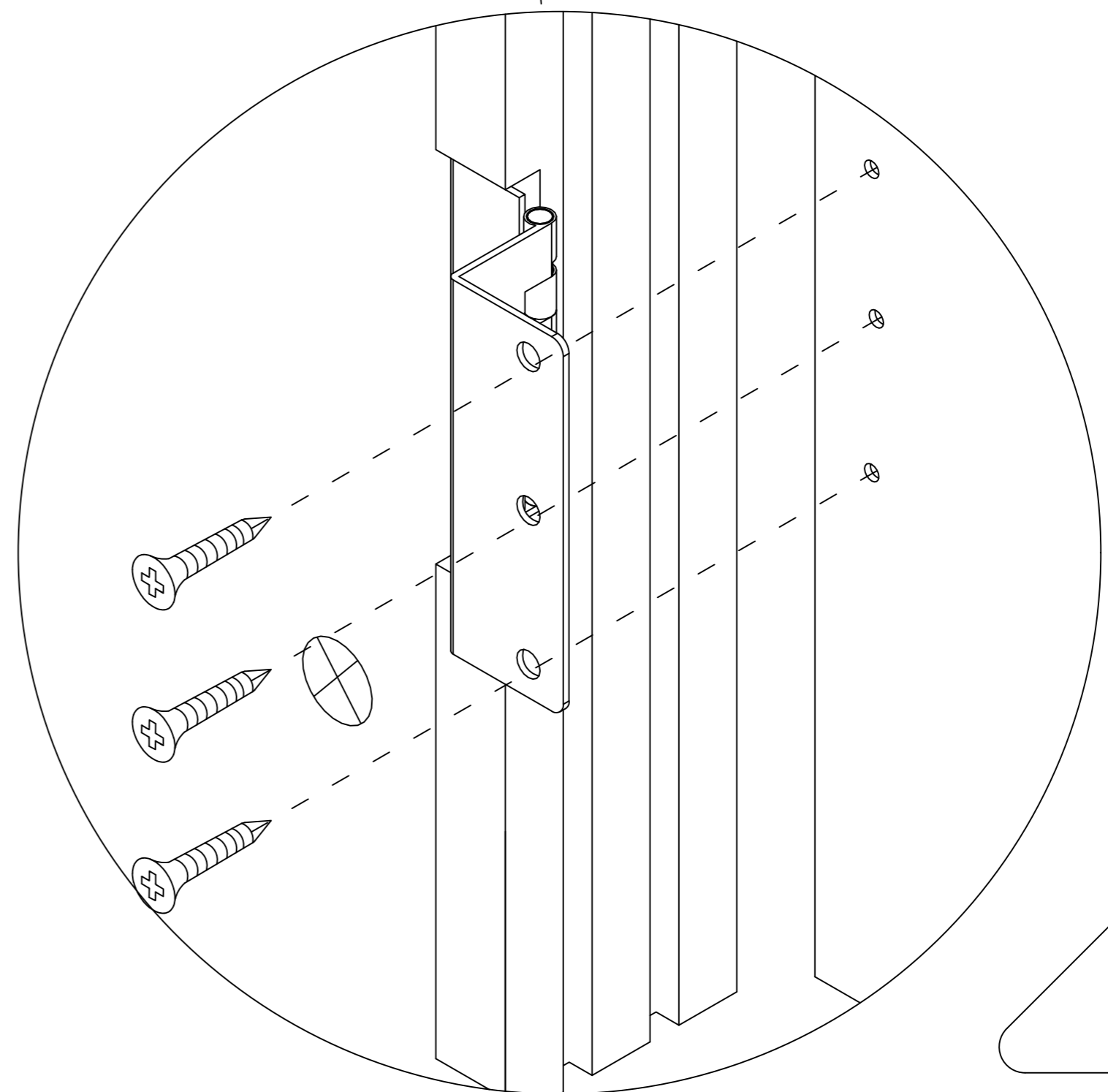
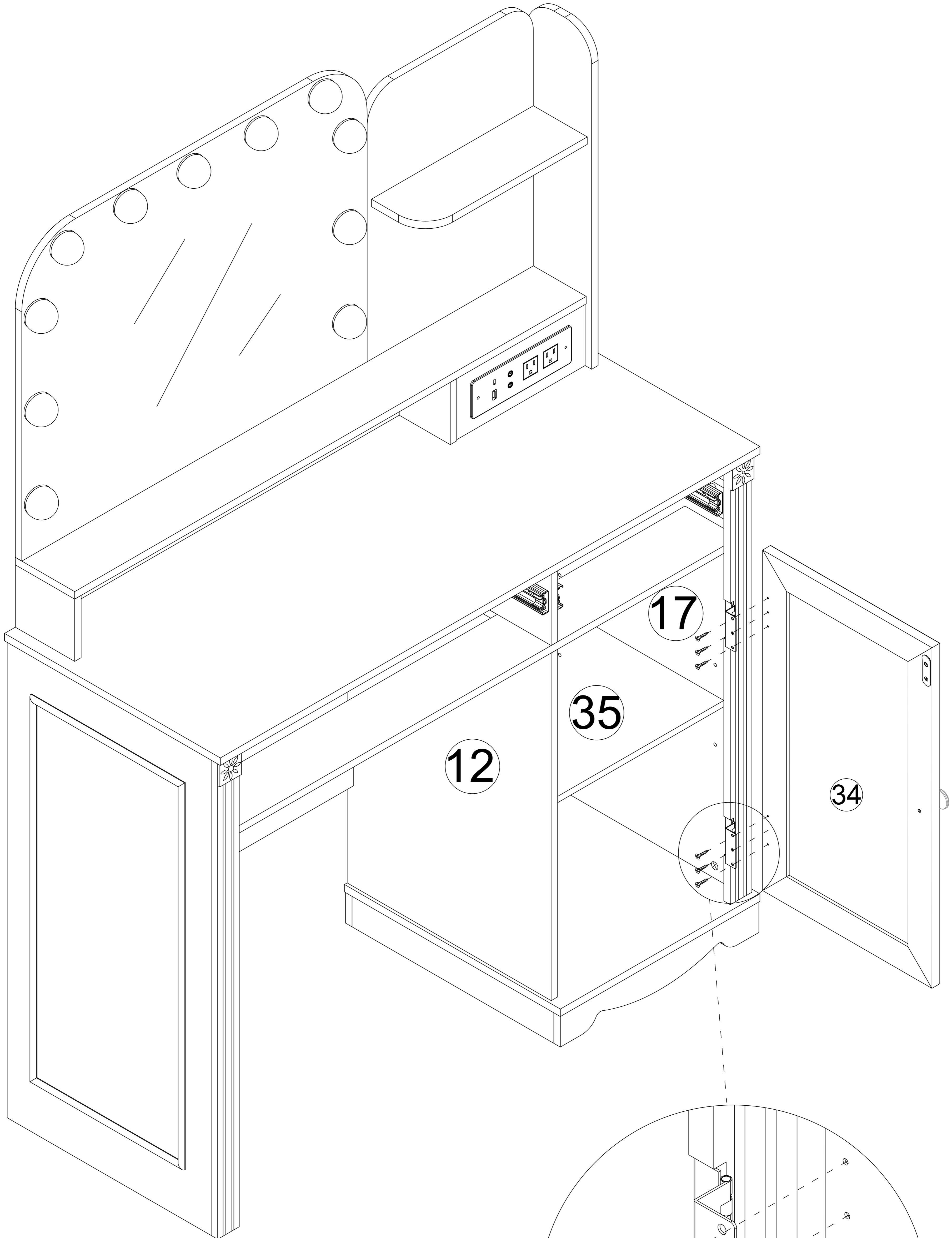


Step 76

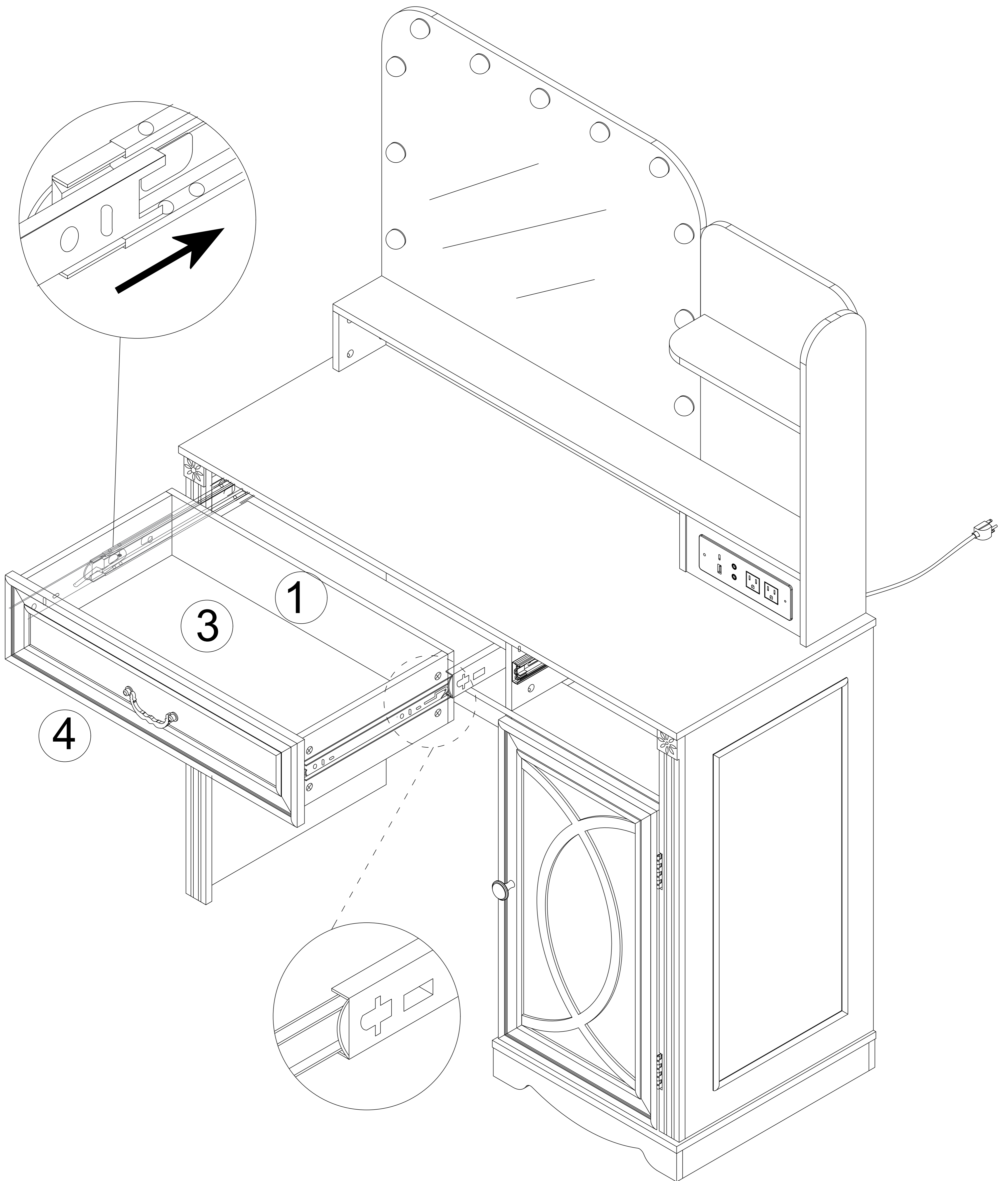
G



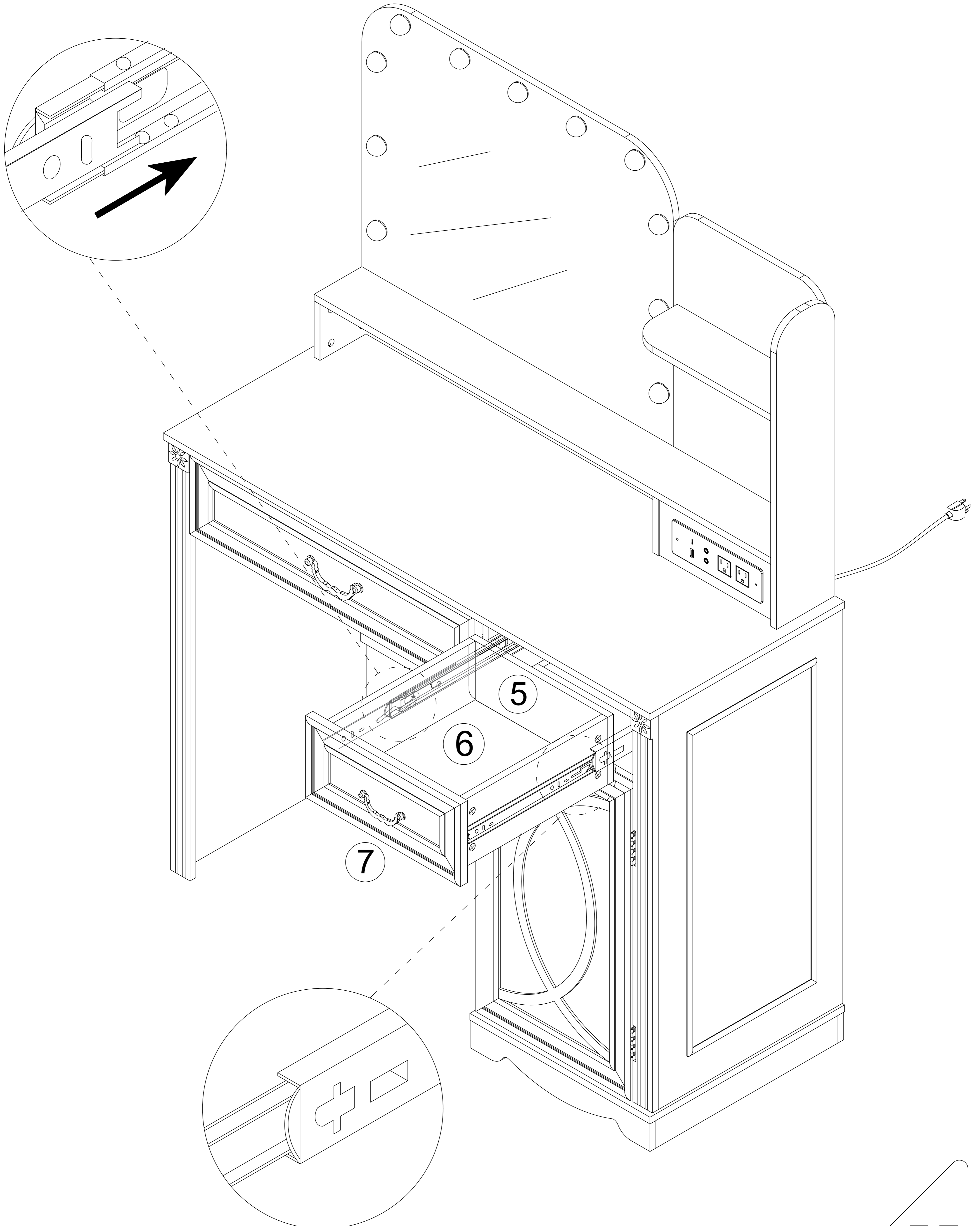
x6



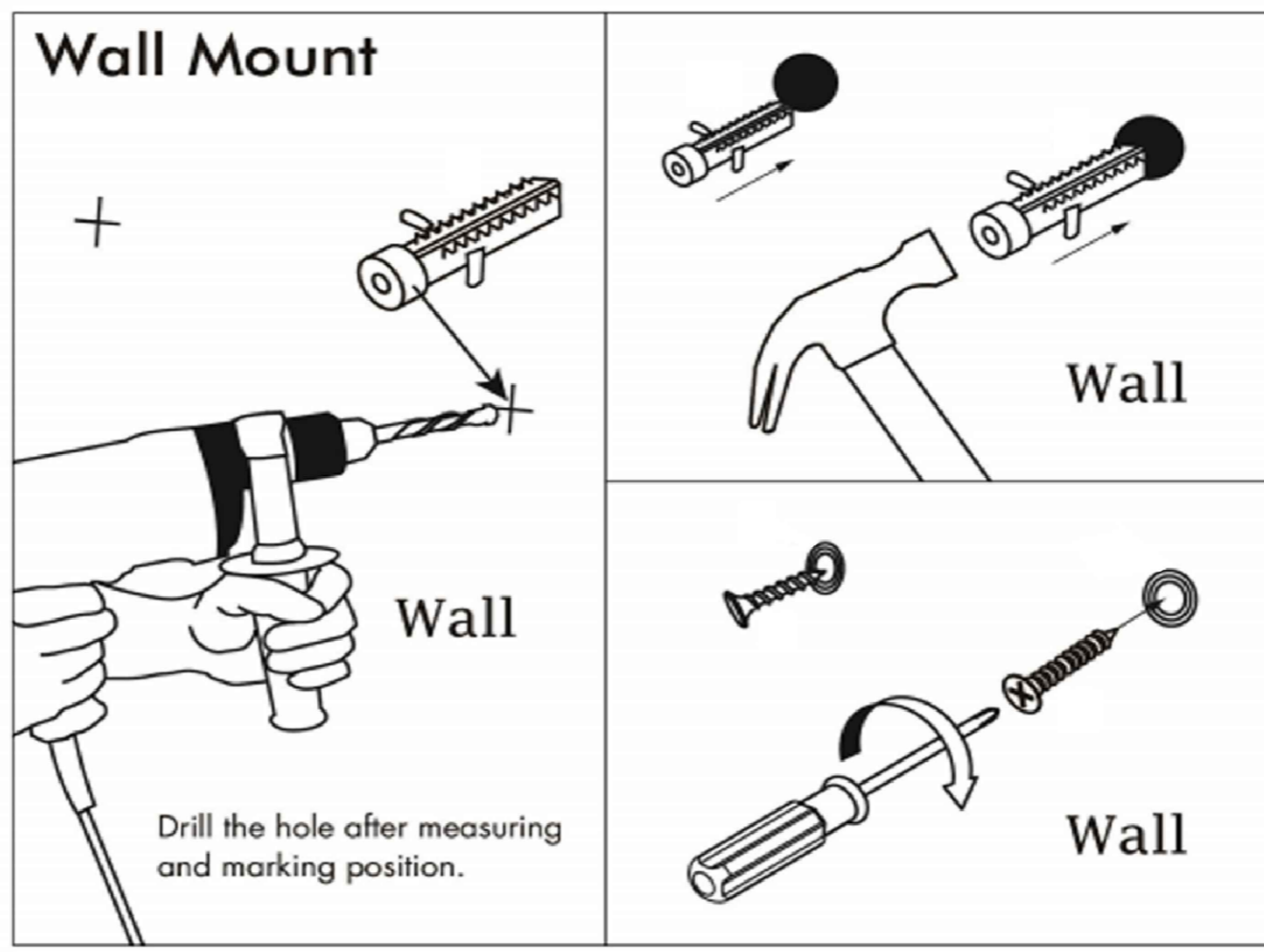
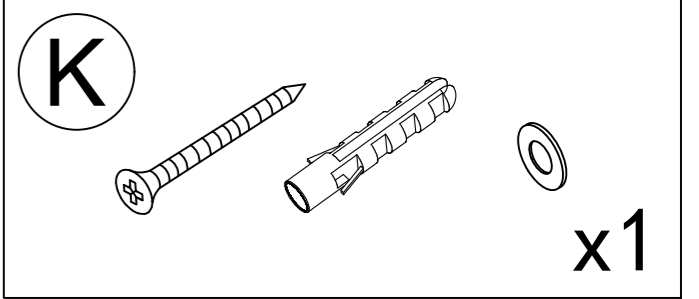
Step 77



Step 78



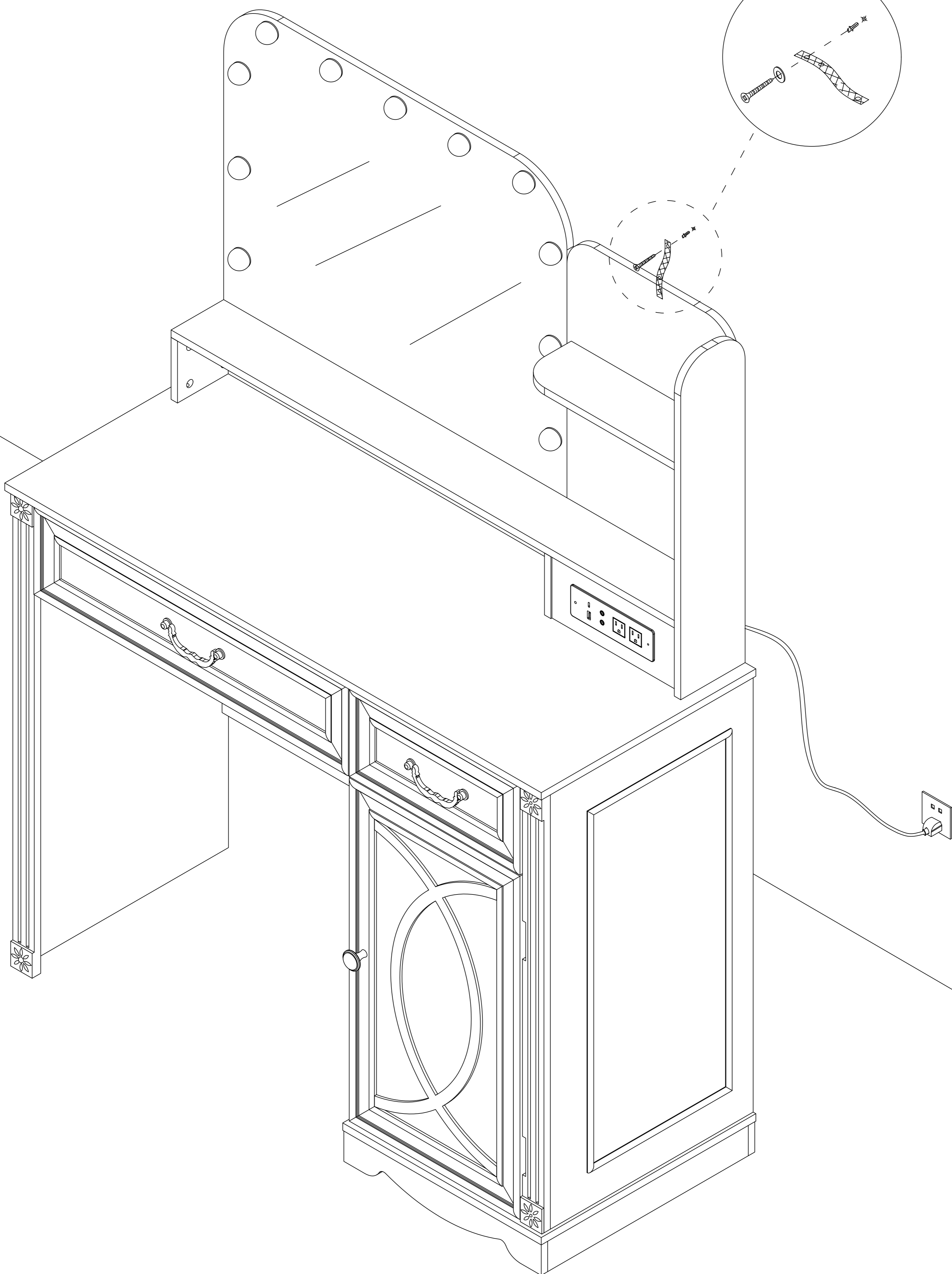
Step 79



use a ruler to measure the approximate height of the product on the wall, and then mark it with a pencil.

Use a tape drill to make holes in the wall that are suitable for the product screws.

Put the expansion bolt into the hole.
Pass the matching screws through the "anti-rewind" and tighten them to fix them on the wall.



Thank you for purchasing this product.
Please use if the product works normally after connecting to power.

Introduction

The box is an intelligent controller.

It has 1 USB-A output port 1 Type-c output port and 2 socket.

With 2 touch buttons, it can turn. ON/OFF the light,adjust the light luminance,
and change light colors.

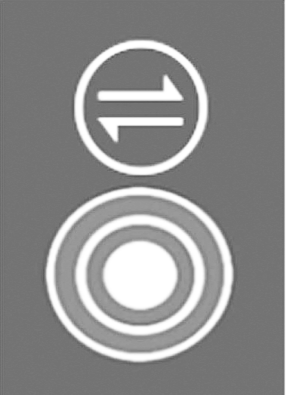


Operation



This touch button is used to turn on/off, and adjust brightness.

- A. Short touch ->lighting on ->short touch ->lighting off(It stays as it was before the last time the lights went out).
- B. Long touch -> adjust the luminance.



This touch button is used to change colors.

When the light is turned on, press this button to realize the three-color switching function ,
and this touch key is invalid when the light is not turned on.



ATTENTION PLEASE

1. If there is no touch response suddenly, Re-plug the power to reset the touch static electricity.
2. If you have any questions when installing, please feel free to contact us. Thank you.

