

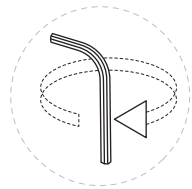
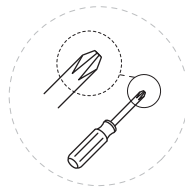
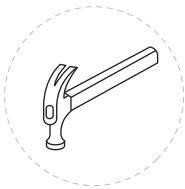
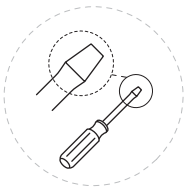
USER'S MANUAL

3 PCS WICKER SOFA SET



Before You Start

- ⚠ Read each step carefully before starting. It is very important to ensure each step followed in correct order, otherwise assembly difficulties may occur.
- ⚠ Most of board parts are labeled or stamped on the raw edges. Have a check to make sure all parts are included.
- ⚠ Work in a spacious area, preferably on a carpet close to where the unit will be used.
- ⚠ Keep the handtools close at hand. Do not use power tools to assemble your furniture. They may scratch or damage the parts.

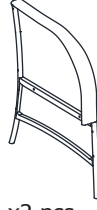


Part List



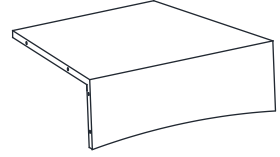
1 x2 pcs

Right-Leg Component



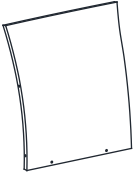
2 x2 pcs

Left-Leg Component



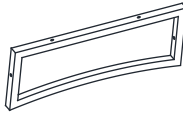
3 x 2 pcs

Seat Component



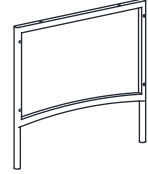
4 x2 pcs

Backrest Component 1



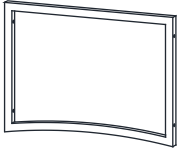
5 x2 pcs

Backrest Component 2



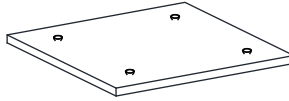
6 x2 pcs

Table Leg Component 1



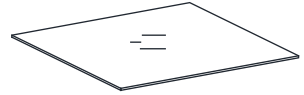
7 x2 pcs

Table Leg Component 2



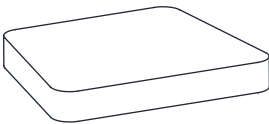
8 x1 pc

Table Top



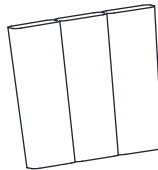
9 x1 pc

Mirror Top



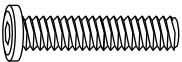
10 x2 pcs

Cushion



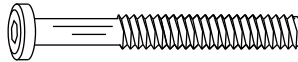
11 x2 pcs

Pillow



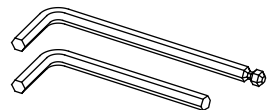
M6 x30mm Bolt

A x40pcs



M6 x60mm Bolt

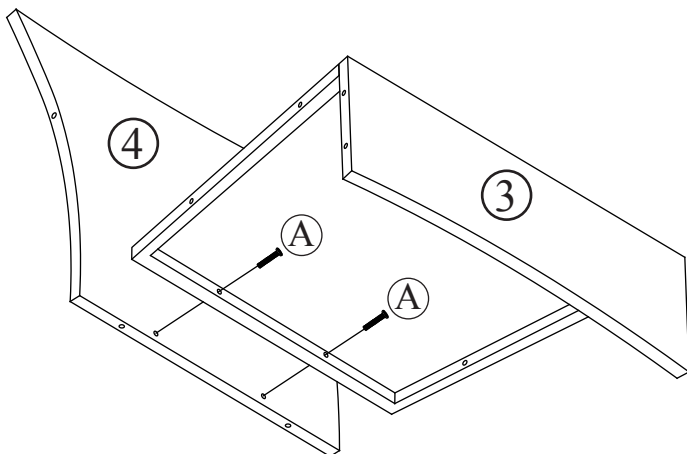
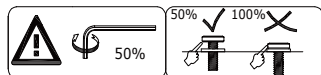
B x4pcs



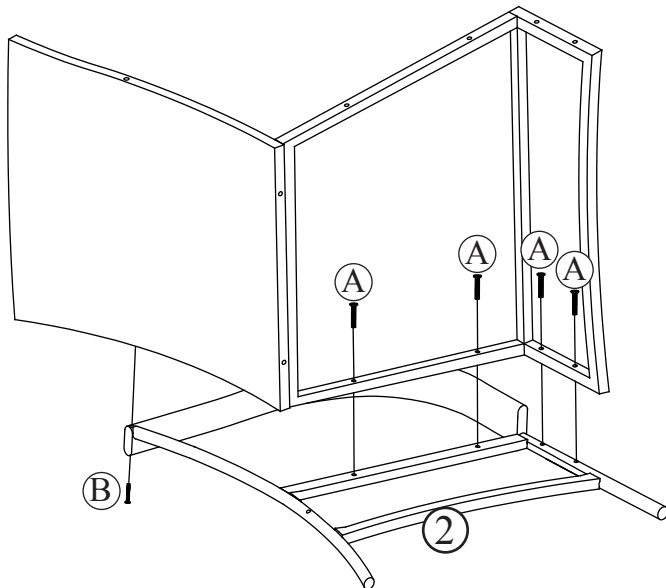
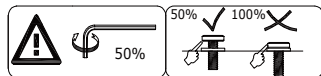
M4 Allen Key

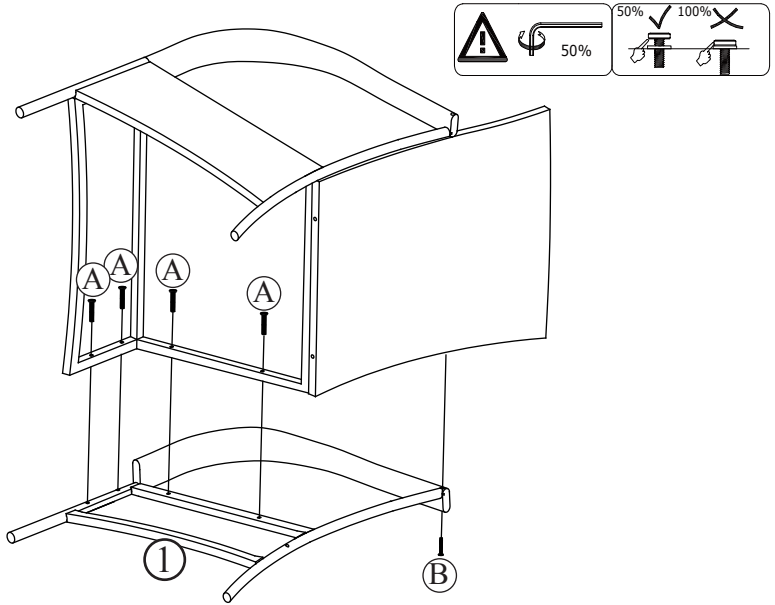
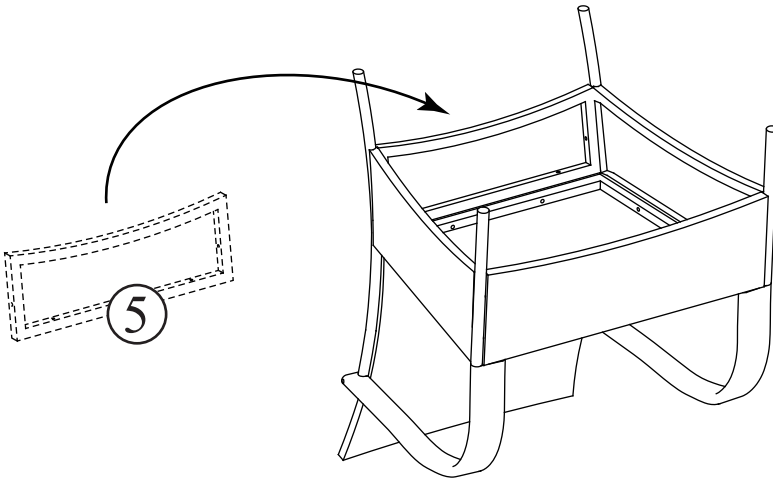
C x2pcs

STEP 1: X2

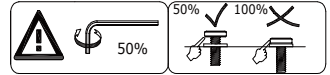
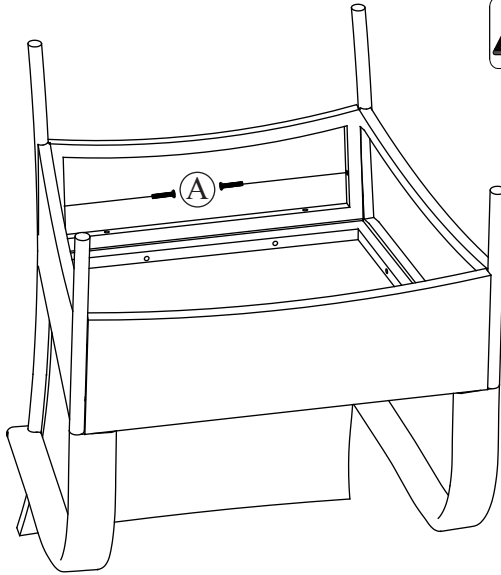


STEP 2: X2

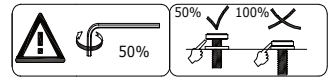
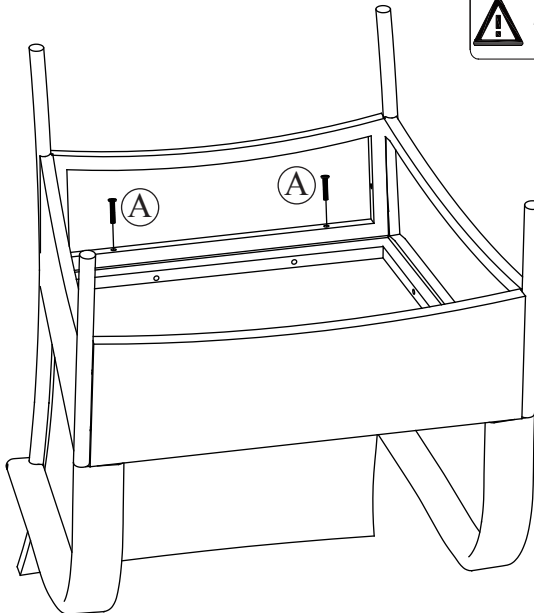


STEP 3 : X2**STEP 4: X2****Table**

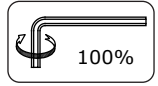
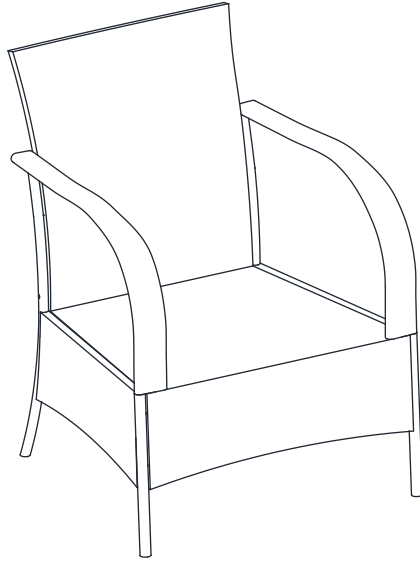
STEP 5: X2



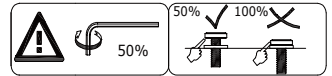
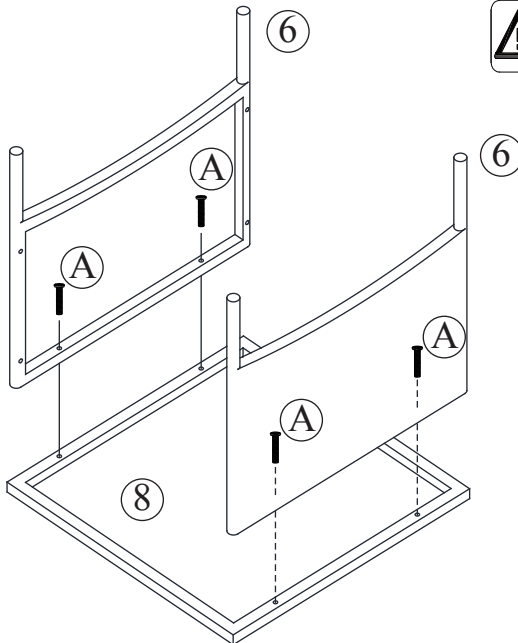
STEP 6: X2



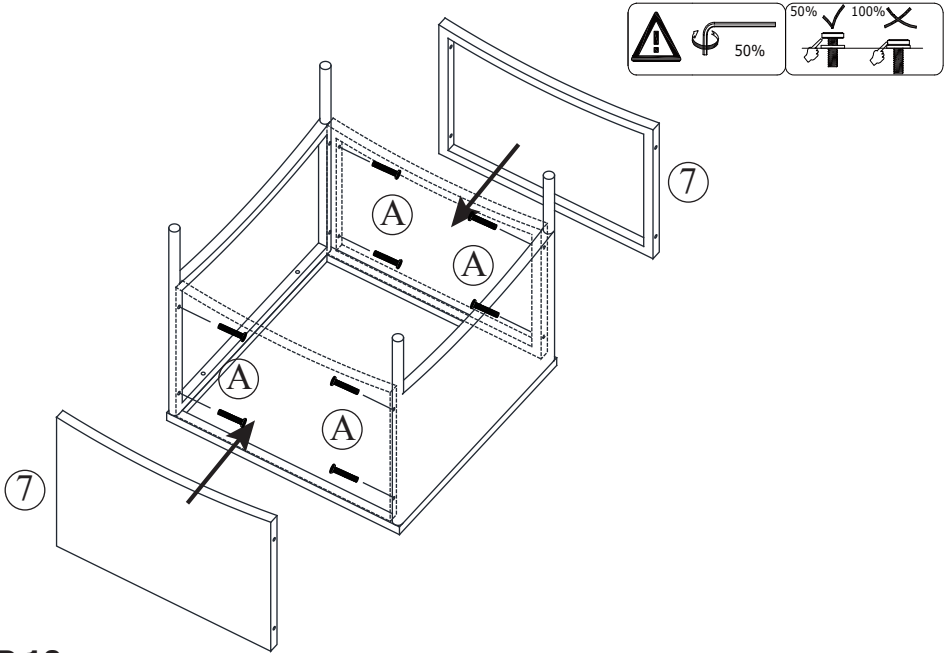
STEP 7 : X2



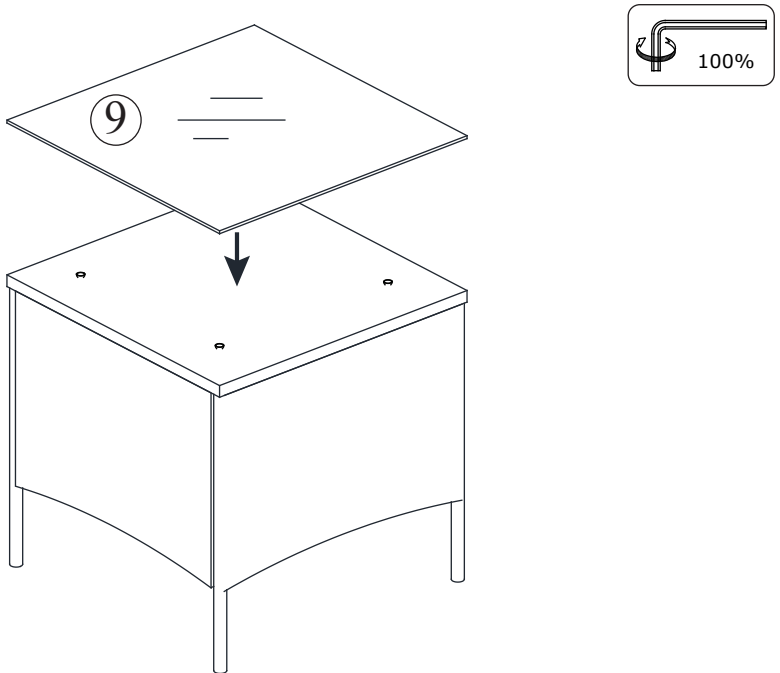
STEP 8:

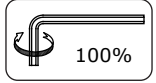
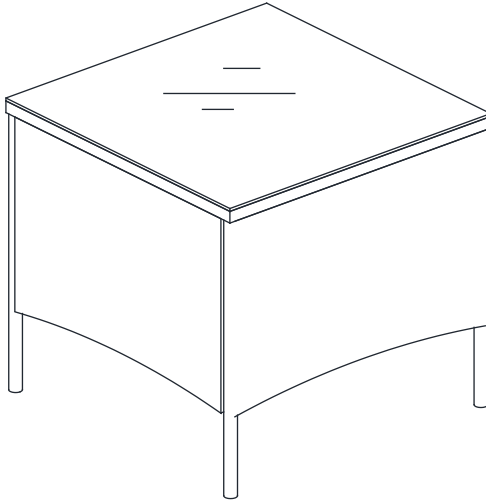
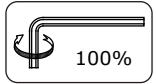
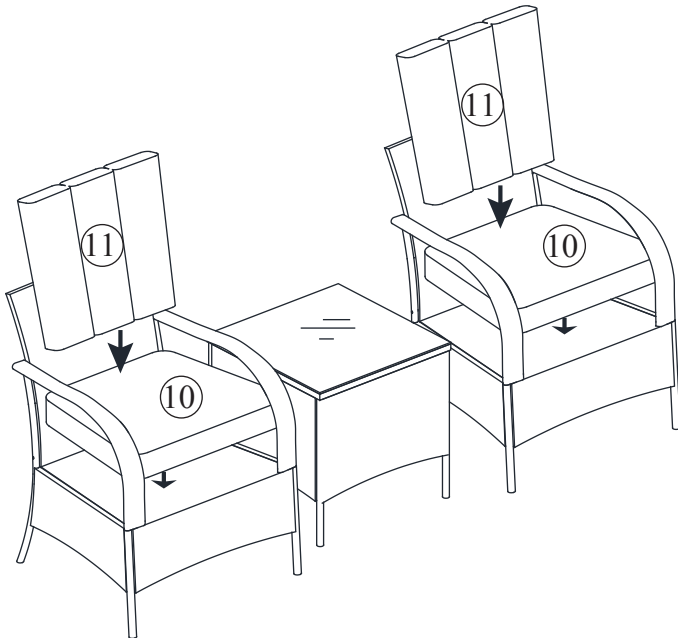


STEP 9:

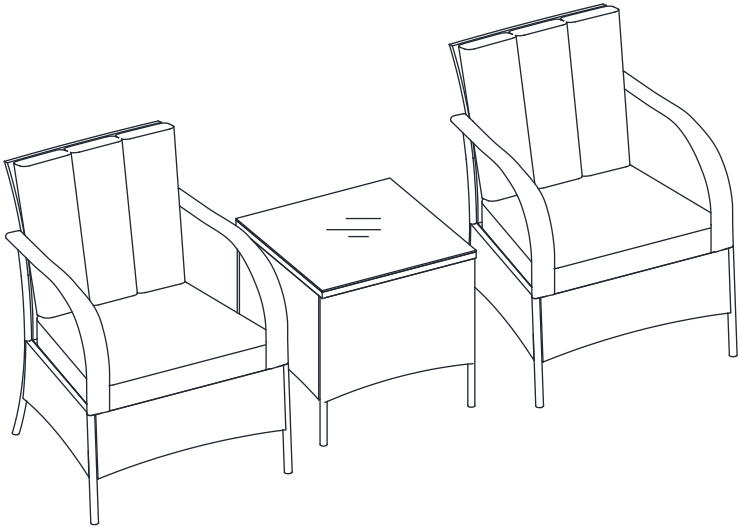


STEP 10:

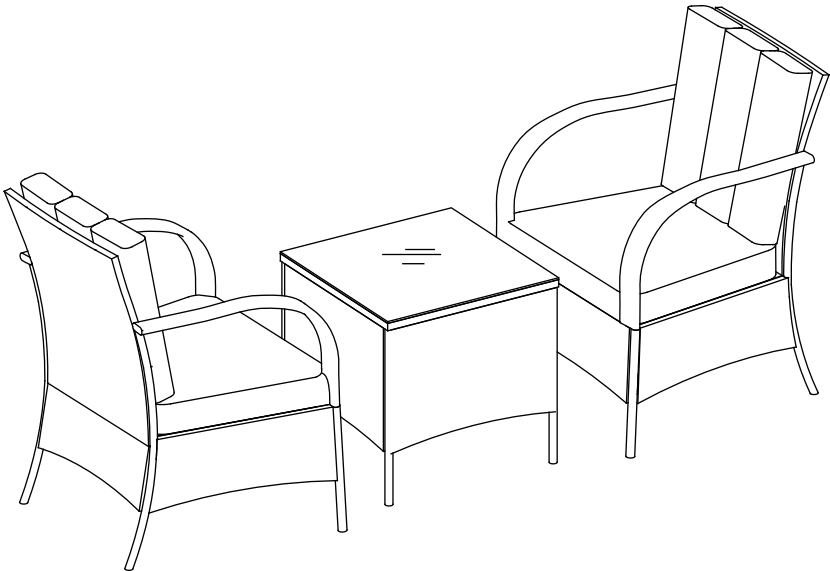


STEP 11 :**STEP 12:**

OPTION 1



OPTION 2



Care and Maintenance

Use a soft, clean cloth that will not scratch the surface when dusting.

Use of furniture polish is not necessary.

Should you choose to use polish, test first in an inconspicuous area.

Using solvents of any kind on your furniture may damage the finish.

Never use water to clean your furniture as it may cause damage to the finish.

Liquid spills should be removed immediately. Using a soft clean cloth, blot the spill gently. Avoid rubbing.

Check bolts/screws periodically and tighten them if necessary.

Further advice about wood furniture care

Please protect your outdoor furniture with a cover when not in use since

Long-term sunlight exposure will result in the damage on the surface.

In addition to sunlight damage, wood and metal frame suffers when exposed to extremes in temperature and humidity.

Proper care and cleaning at home will extend the life of your purchase.

Following these important and helpful tips will enhance your furniture as it ages.