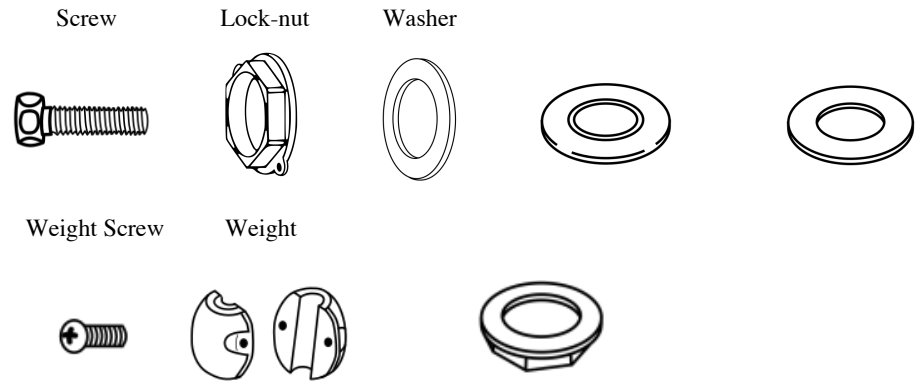


INSTALLATION OF THE FAUCET

Before starting turn off both the hot and cold water supply lines and remove the old faucet. Clean around all areas of attachment before placing new faucet on sink to help prevent corrosion after installation.

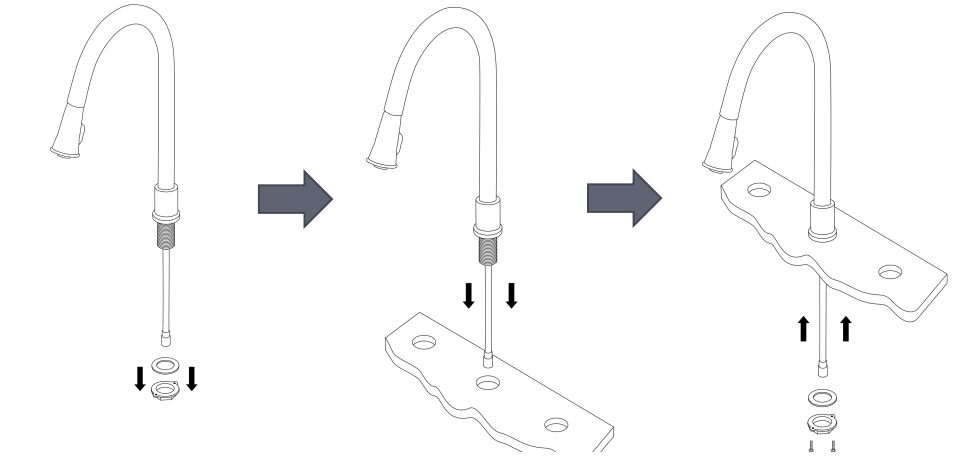
Parts List



1 Secure Faucet

Place faucet on sink by feeding hoses down through the center hole in sink. Remove the mounting nut and nylon washer from threaded collar. Note that the black rubber gasket at the base of the faucet body remains in place as used to create a seal after faucet is installed.

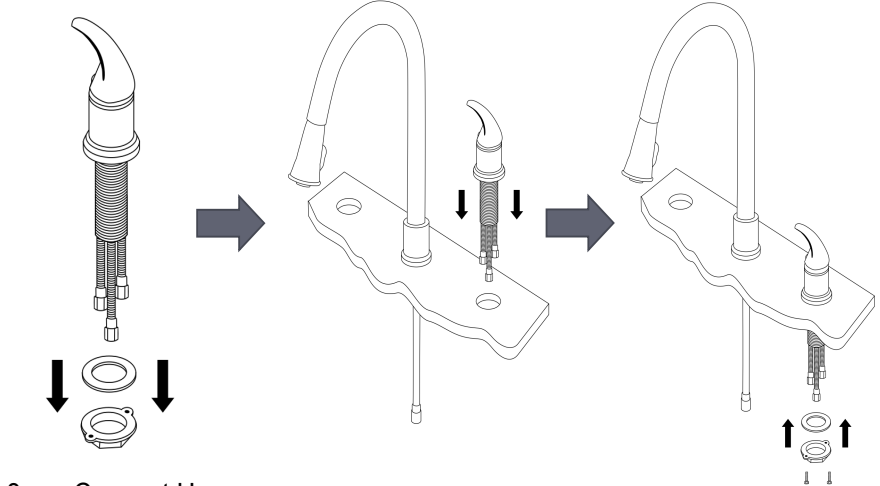
Install faucet through hole in sink. Slide nylon washer up to threaded collar followed by mounting nut. Thread mounting nut to underside of sink but do not tighten yet.



3/6

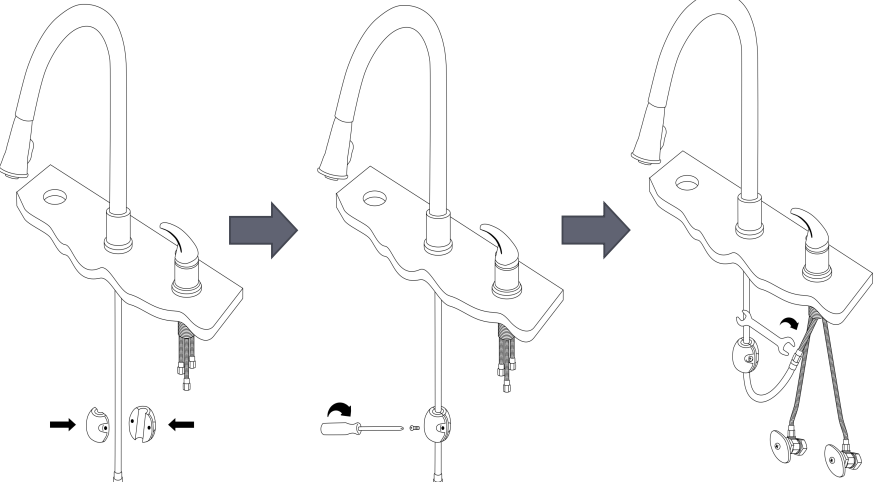
2 Install Water Control Lever

Determine the direction you would like the handle to face when in the off (down) position. Generally, when installed in the center of the sink, this would be straight forward and when installed in the corner of the sink, diagonally across the sink. Center the faucet through the hole in your sink and then hold faucet body in place. Tighten mounting nut until faucet is secure being careful not to over tighten and then screw in lock-nut screws for final tightening.



3 Connect Hose

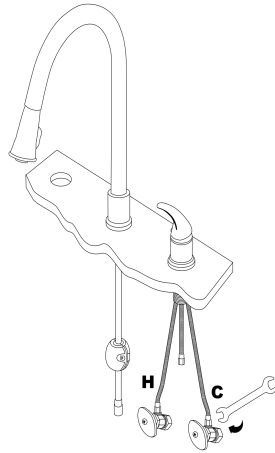
Connect sprayer hose. Attach the weight to the hose at a length suitable to you (The further from the end you place the weight the longer your reach will be when pulling the hose out for use). You may move the weight to adjust the pull-out length of the hose. Carefully tighten the weight.



4/6

4 Connect Supplies

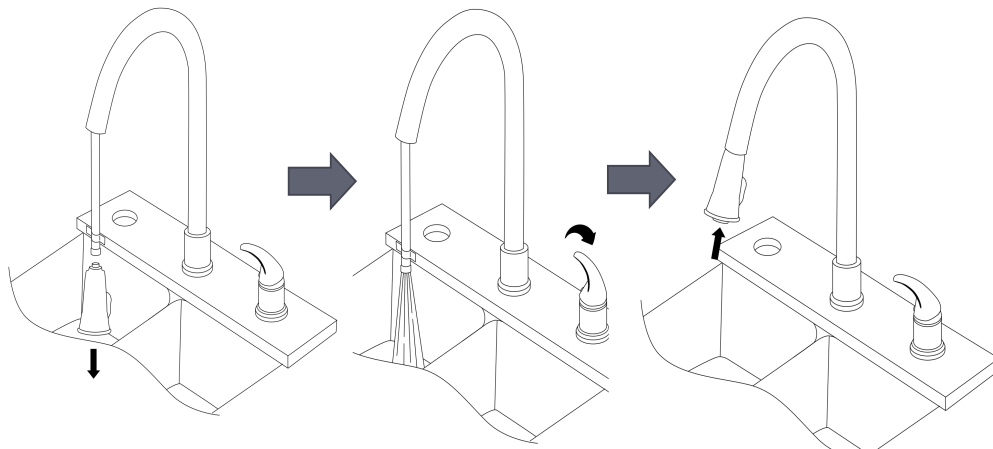
Connect hot water supply to longer of the two flexible supply hoses and cold water supply to shorter of these hoses. Flexible supply hoses are complete with 3/8" compression fittings for your convenience. With all pipe attachments plumbers tape can be utilized to help reduce the risk of leaking.



5 Flush Lines

Pull the sprayer out to partially expose the hose. Position the hose in the sink. Tie or tape the hose to the sink to prevent it from sliding back into the faucet. Remove the aerator.

Turn on the hot and cold water supply lines. Turn the faucet handle to the cold side and lift the handle to the "on" position. Run the water for one minute to remove any potential debris. Rotate handle to the warm side and run for a minute. During this process watch for any water leaks in the pipe. Reinstall the aerator.



Guarantee Repairs Claims

1. Within warranty period, LORDEAR is responsible for repairing any defective product for free.
2. Please contact seller by email with this warranty and purchase invoice when the product needs guarantee repairs within warranty period.
3. Within warranty period, the listed situations below need to pay for replacement.
 - 3.1 The malfunction and damage caused by improper use and repair or reconstruct unauthorized. (forbid any throw, beat behavior)
 - 3.2 The malfunction and damage caused by not refer to instruction during installation.(forbid any unprofessional plumber install this product)
 - 3.3 The malfunction and damage caused by removing after installation or other factors.
 - 3.4 The malfunction and damage caused by application beyond the scope of usage.
 - 3.5 The damage caused by sands or dirty hands.
 - 3.6 The damage caused by daily improper maintenance and rust on finished and so on.
 - 3.7 The malfunction and damage caused by fires, earthquakes, floods, lightning and natural disasters, pollution, harmful gas, salt and abnormal voltage and other reasons.
 - 3.8 The occasions which purchase invoices are not presented.
4. This limited warranty applies only to the original purchaser and hotel business. It expressly excludes labor charges, removal charges, installation, or other incidental or consequential costs. Any inappropriate application will void the warranty.
5. This warranty can no be replaced if missed, please keep safe.
6. After-sales service e-mail:lordear.guo@gmail.com or call at 303-397-6818.