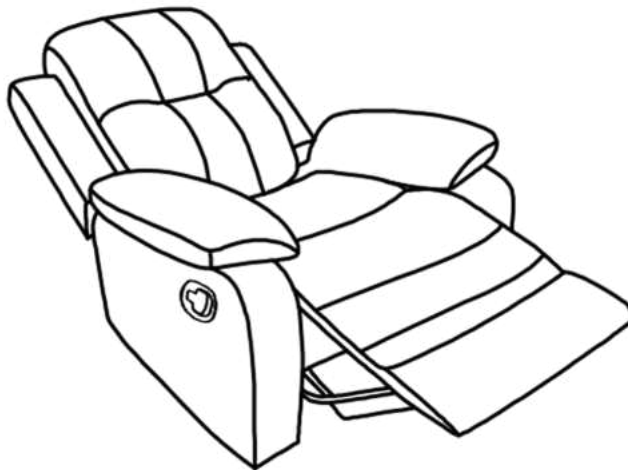
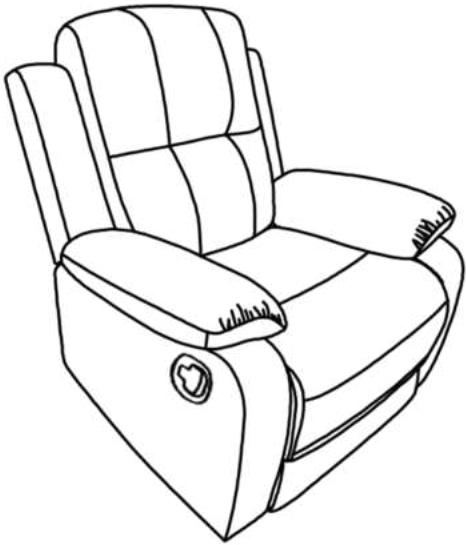


# Assembly Instruction

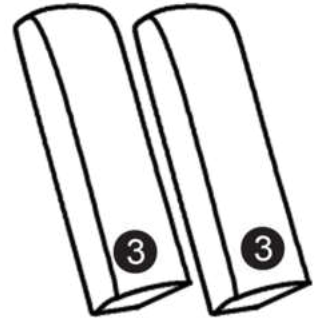
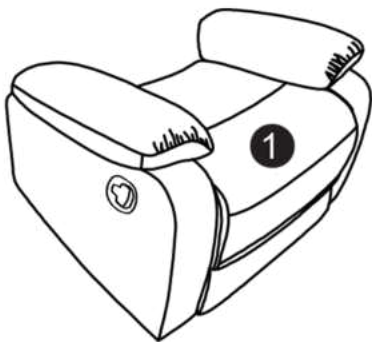


## PARTS:

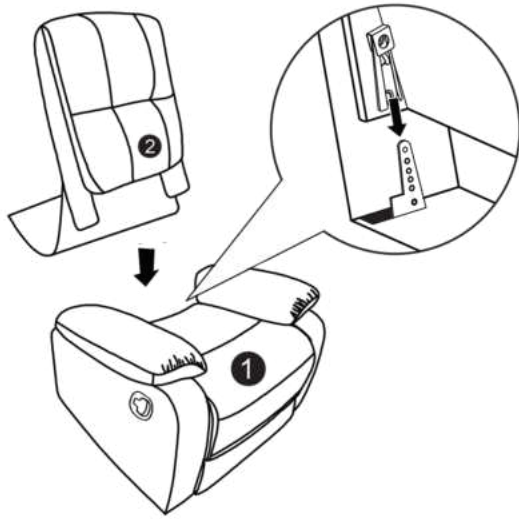
① Seat Body QTY: 1

② Backrest QTY: 1

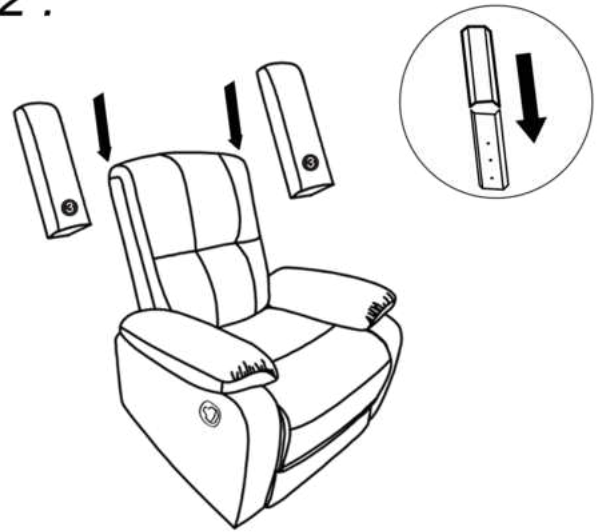
③ Armrest QTY: 2



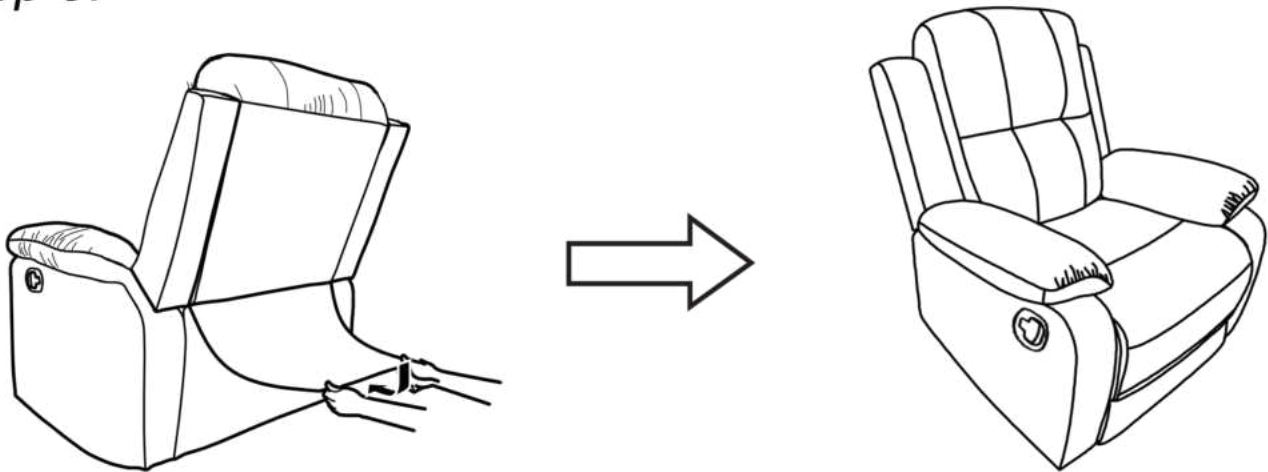
Step 1:



Step 2:



Step 3:



FUNCTIONS:

