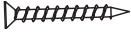


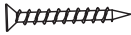


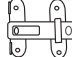
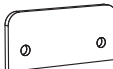
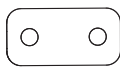
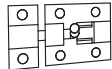
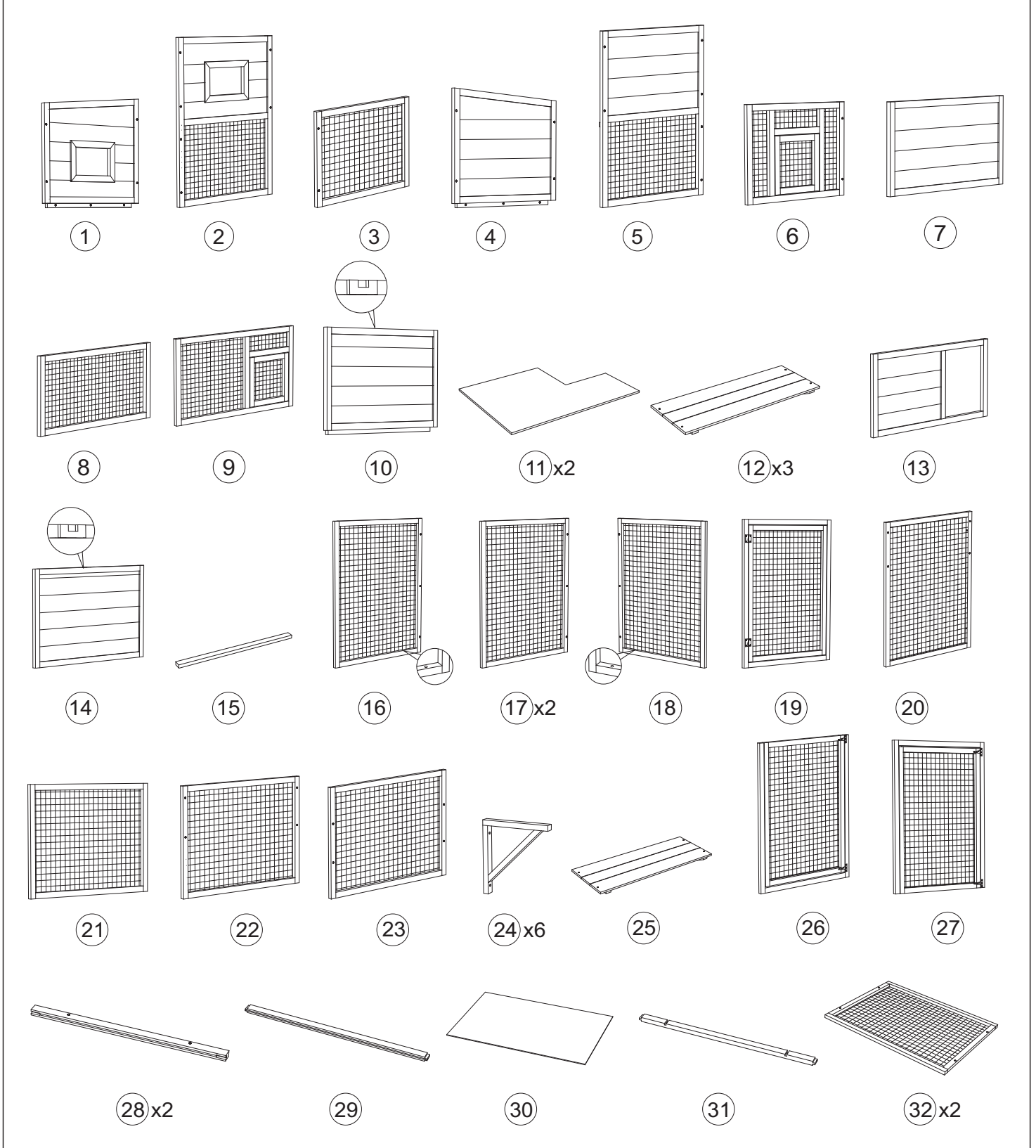


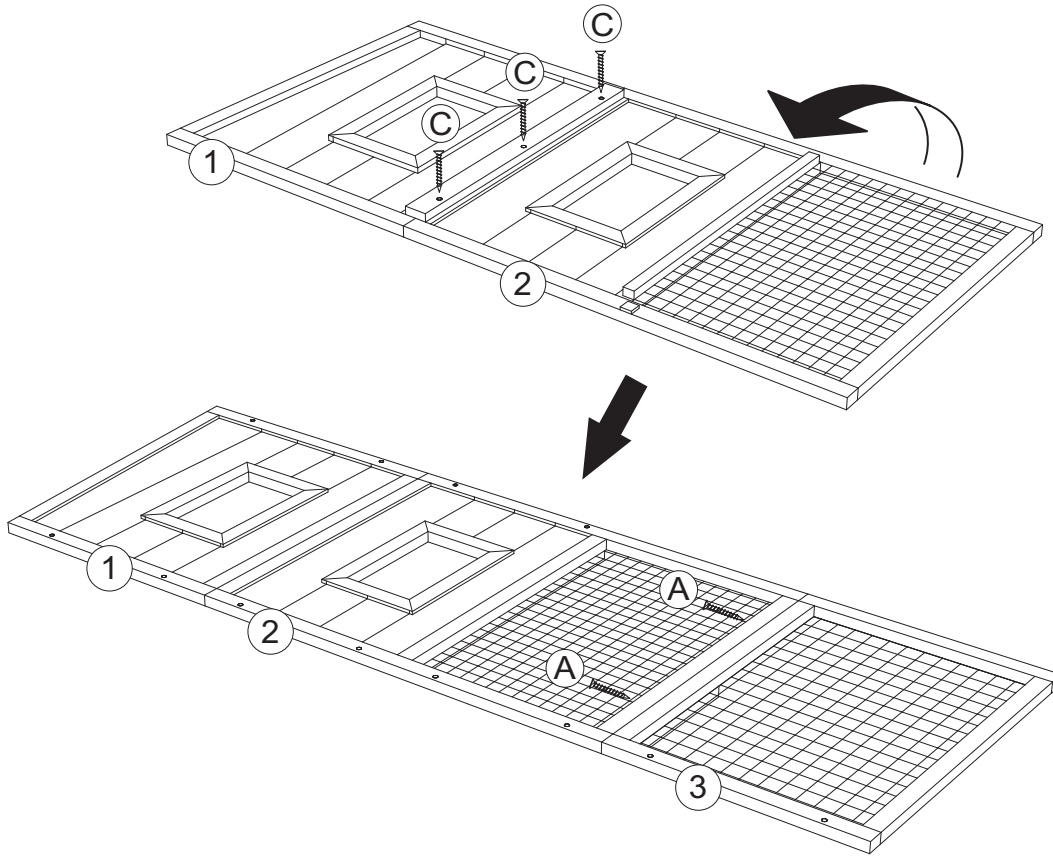
ASSEMBLY INSTRUCTIONS

 A M3.5*50 34PCS	 B M3.5*40 52PCS	 C M3.0*30 9PCS
 D M3.0*20 34PCS	 E M6.0*50 12PCS	 M3.5 *16 12PCS F  3PCS
G  1PCS	H  2PCS	 I 2PCS



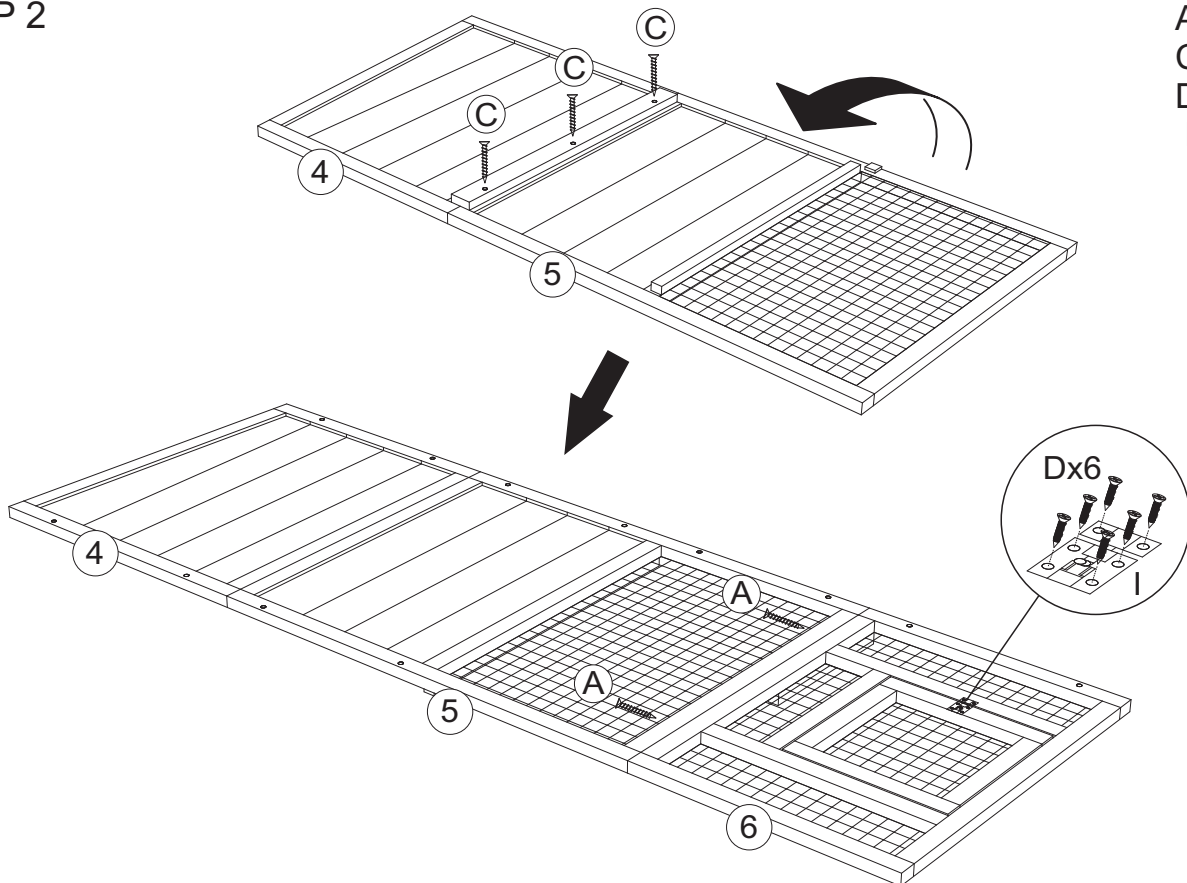
STEP 1

A 2PCS
C 3PCS



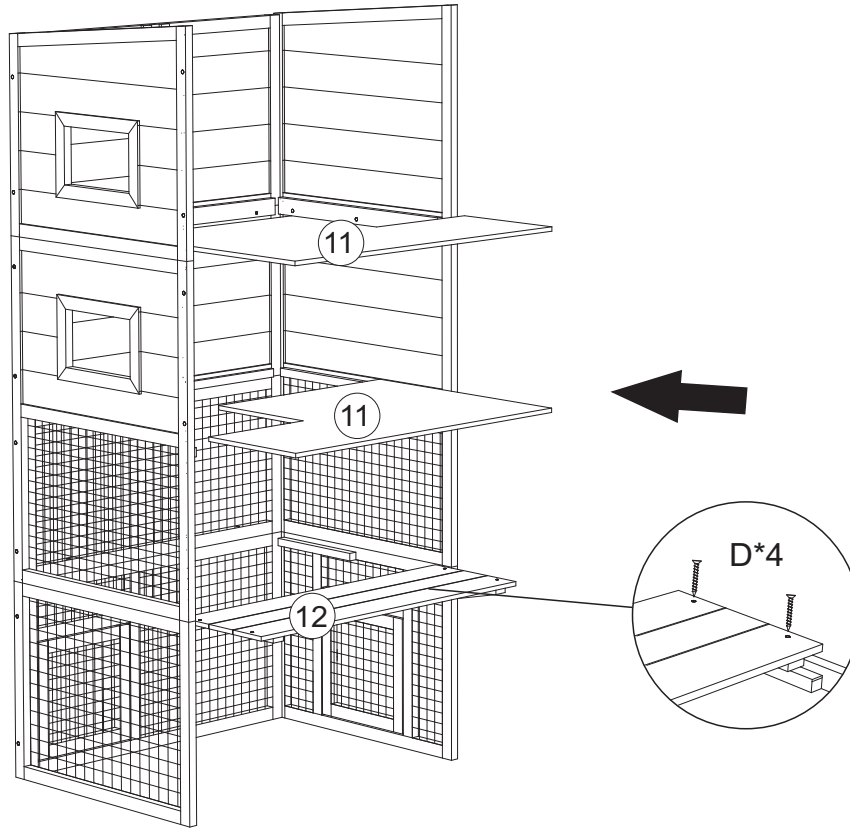
STEP 2

A 2PCS
C 3PCS
D 6PCS
I 1PCS



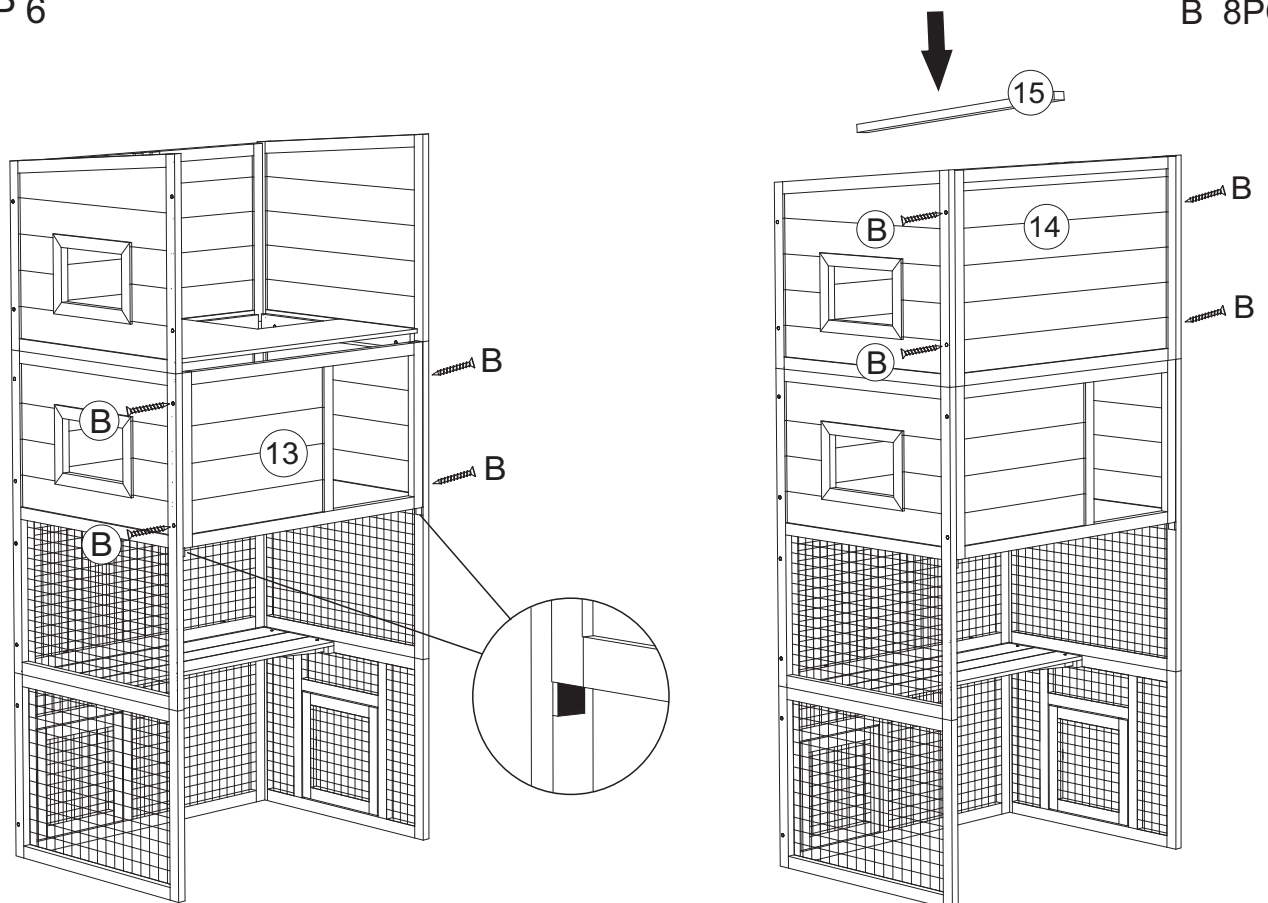
STEP 5

D 4PCS



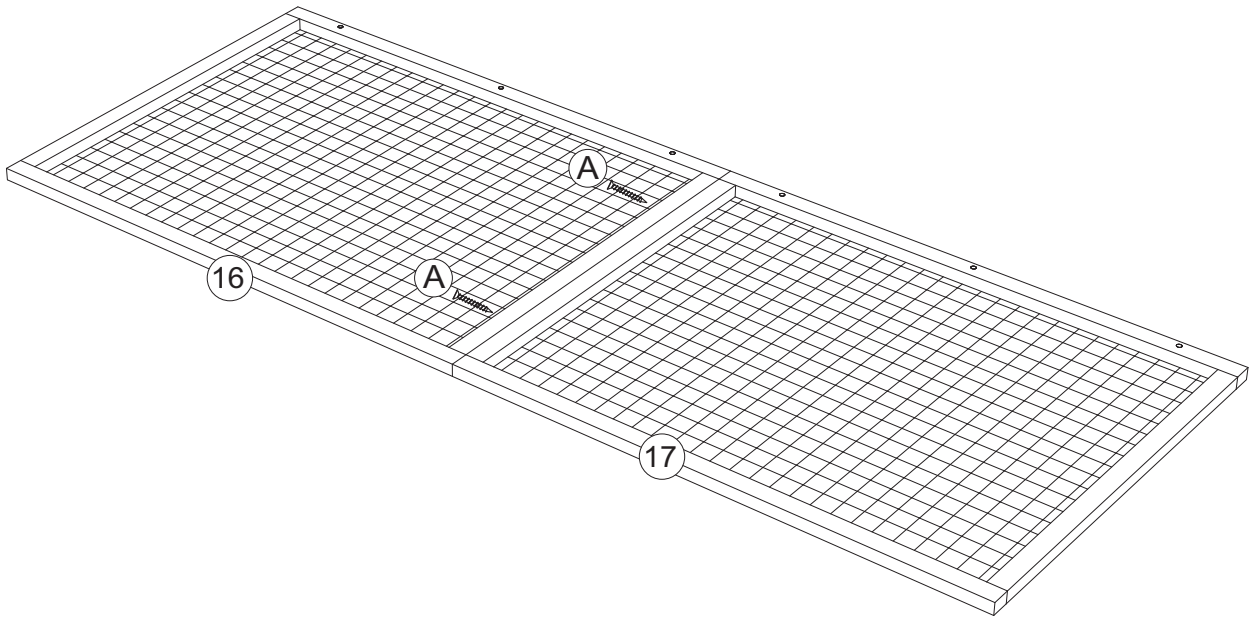
STEP 6

B 8PCS



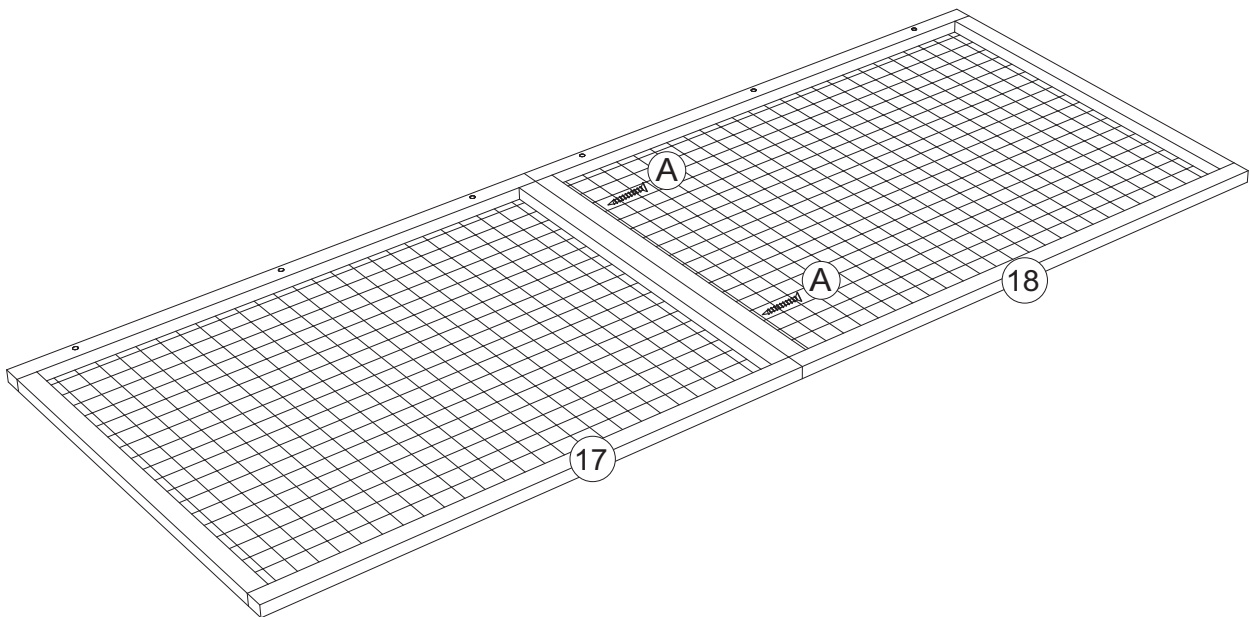
STEP 7

A 2PCS



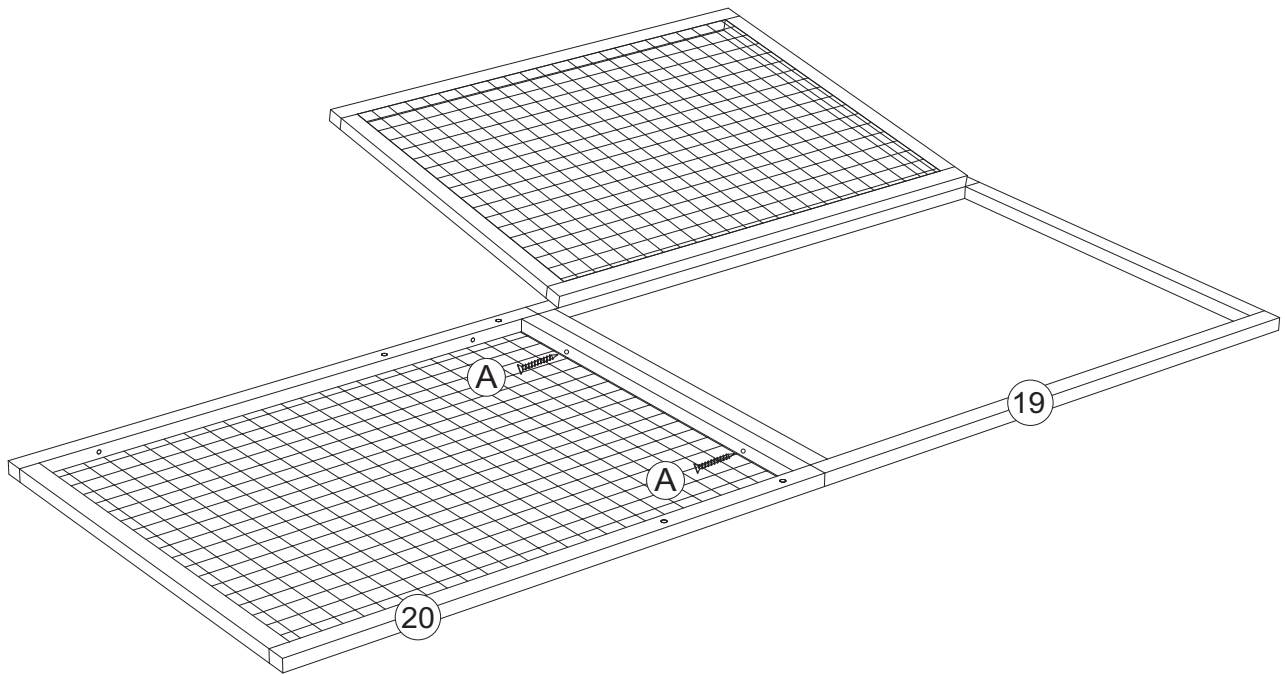
STEP 8

A 2PCS



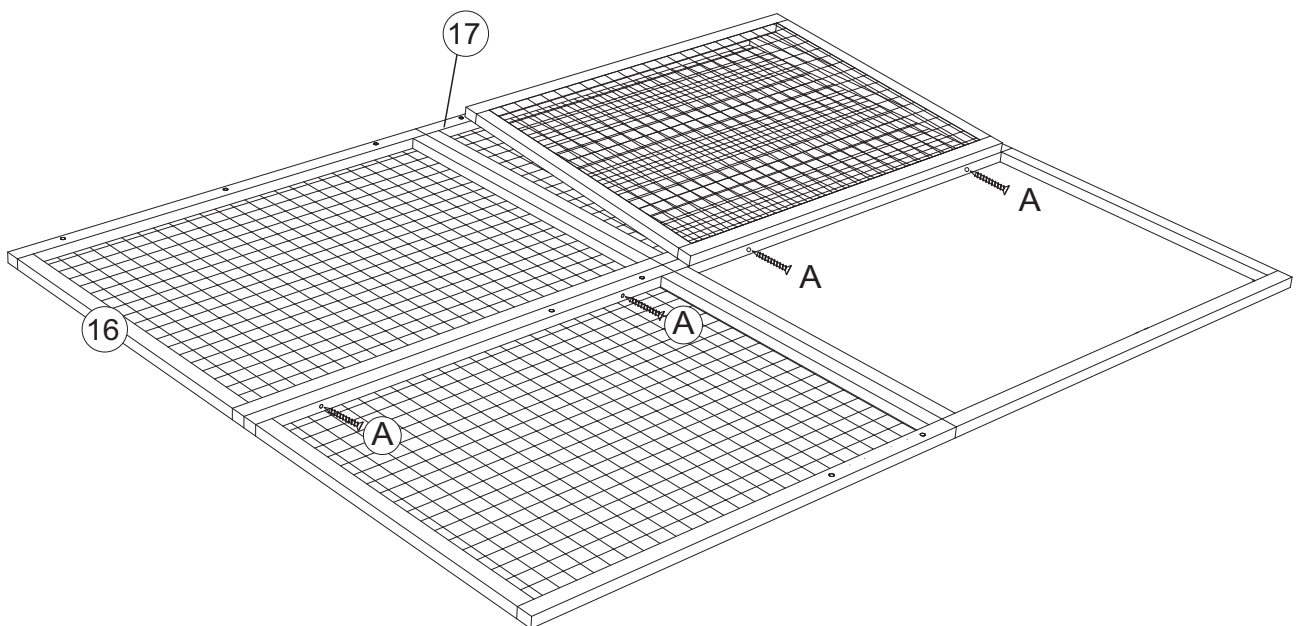
STEP 9

A 2PCS



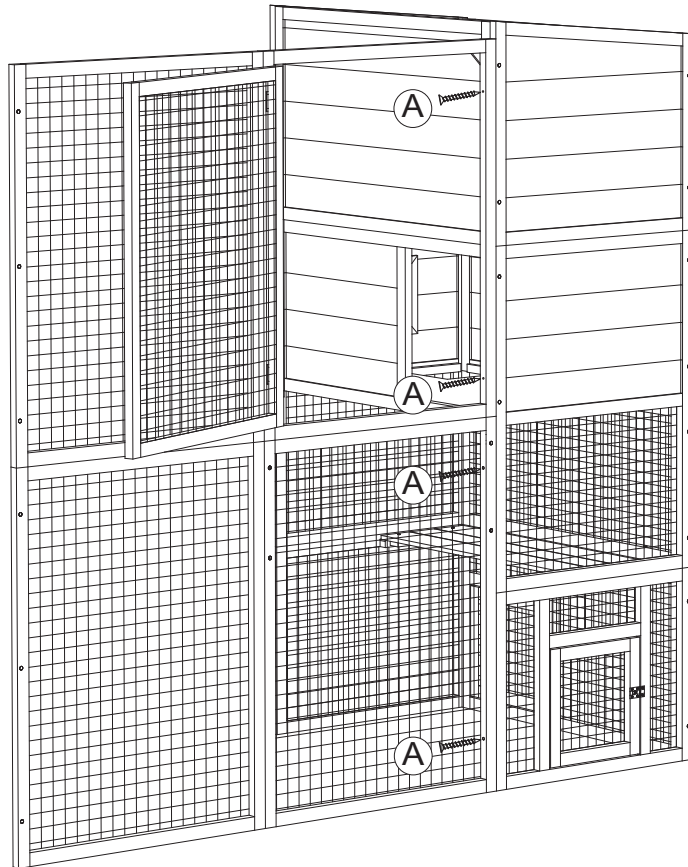
STEP 10

A 4PCS



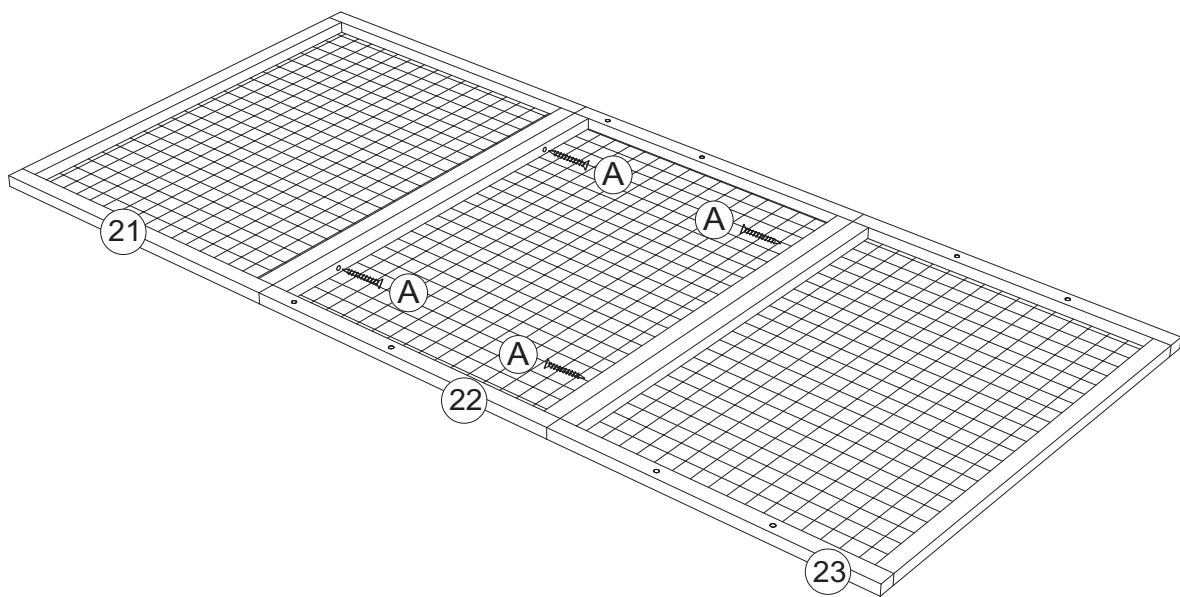
STEP 11

A 4PCS



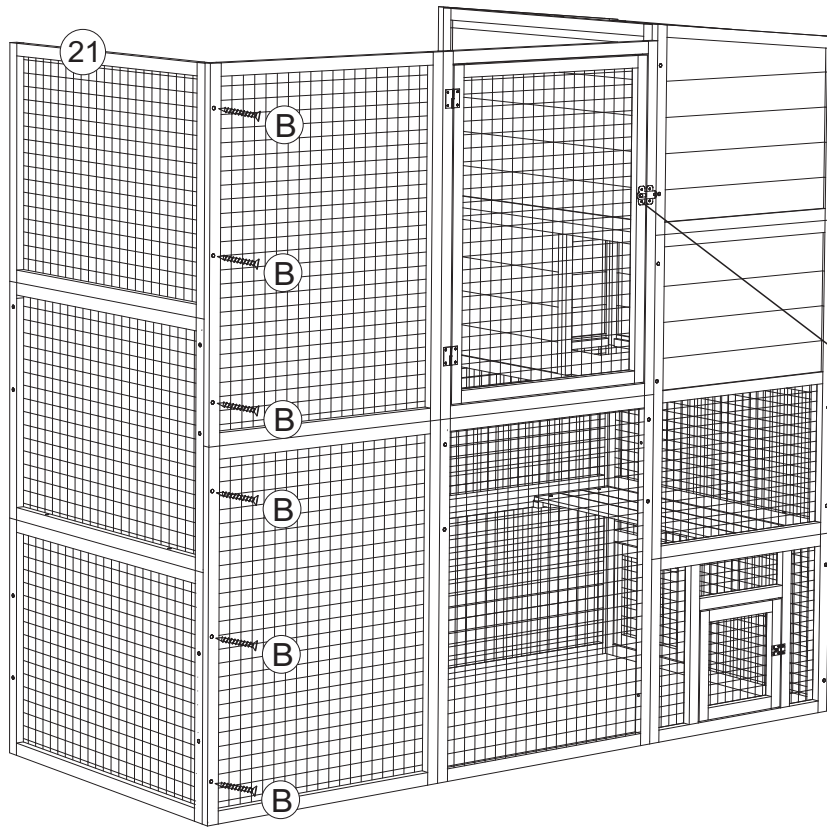
STEP 12

A 4PCS



STEP 13

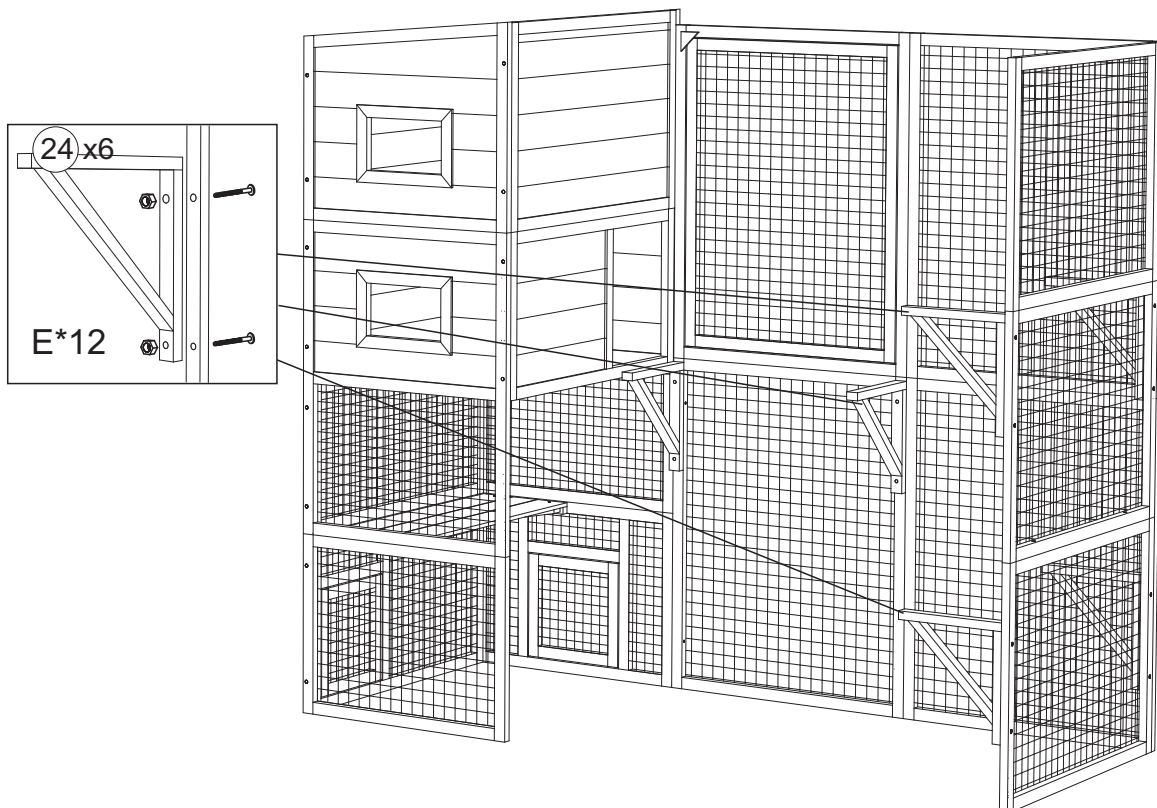
B 6PCS
F 1PCS



Notice:
Please drill holes
by yourself to
flexibly fit your needs.

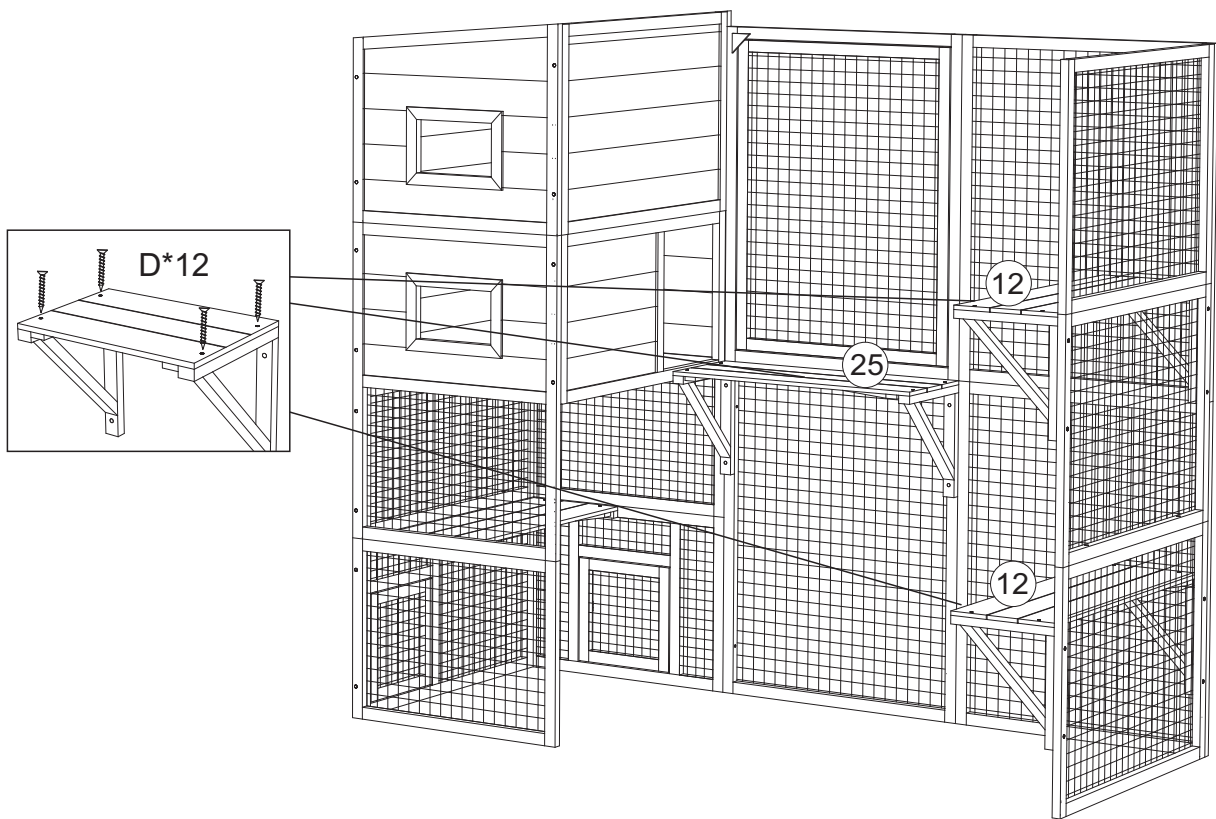
STEP 14

E 12PCS



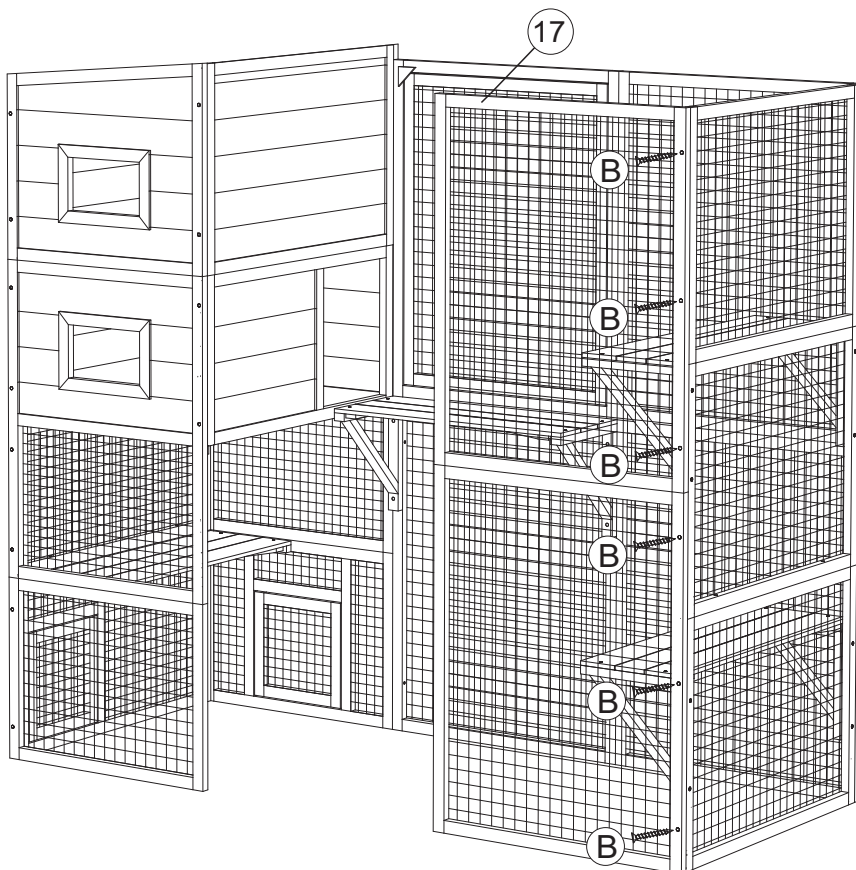
STEP 15

D 12PCS



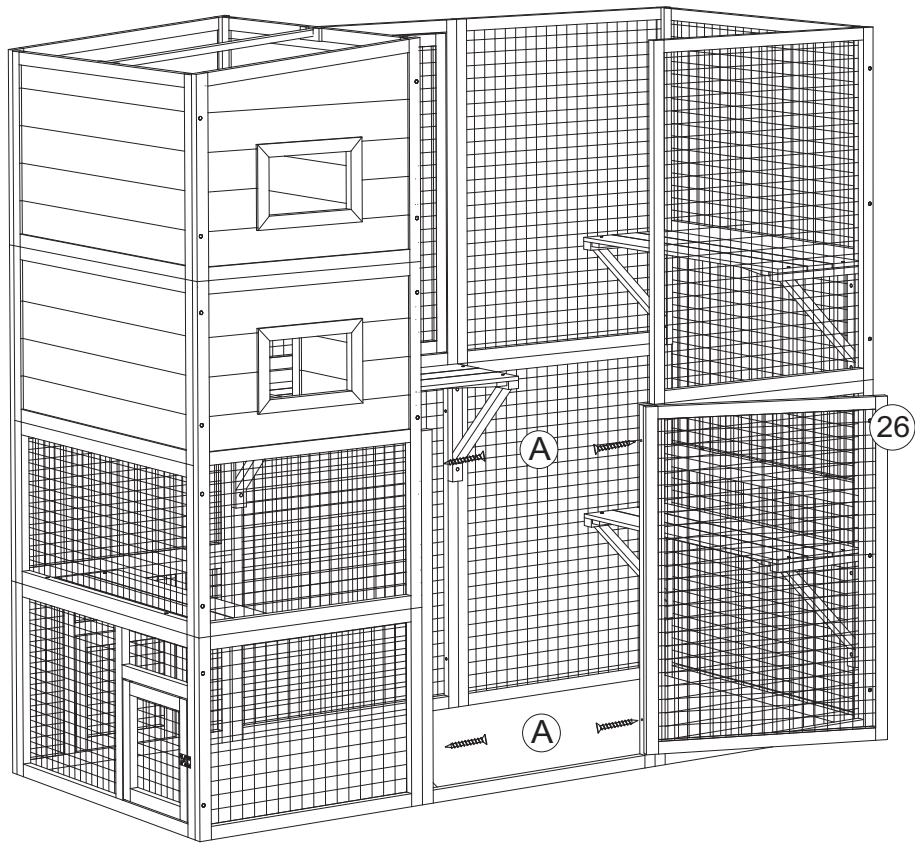
STEP 16

B 6PCS



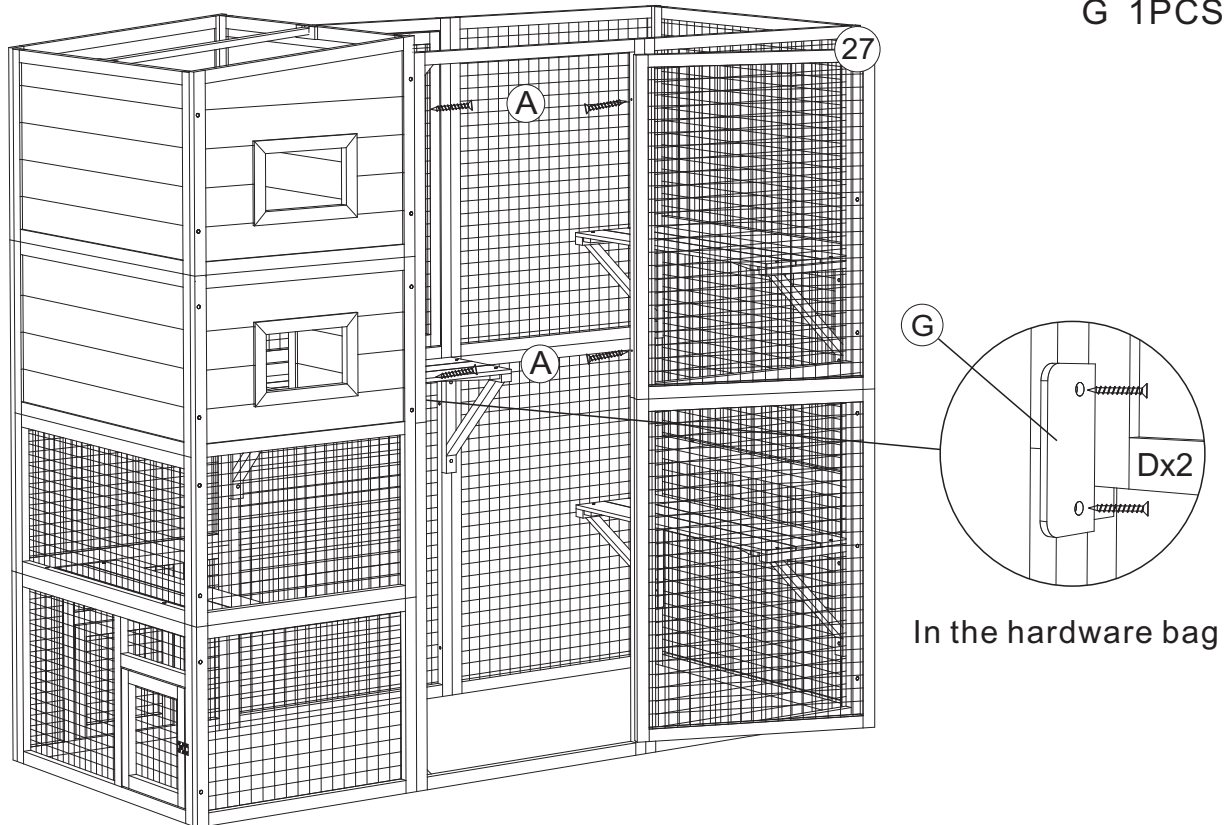
STEP 17

A 4PCS



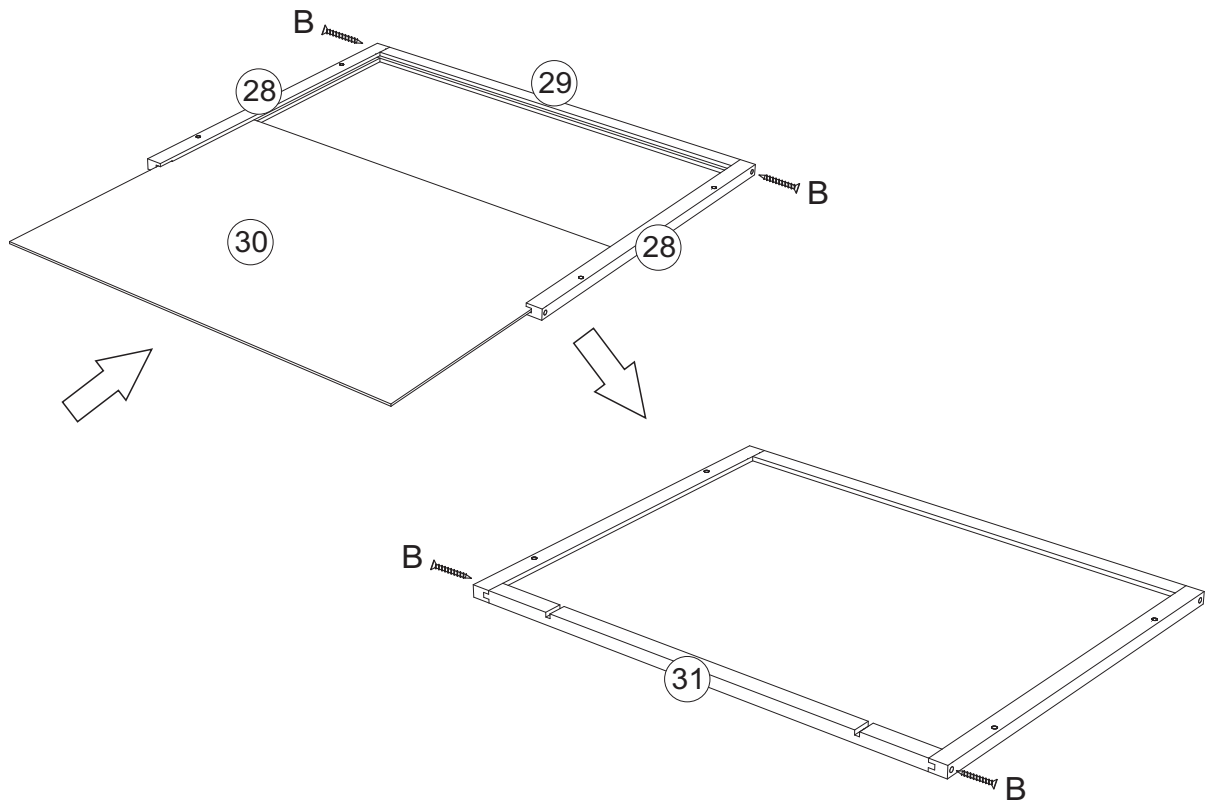
STEP 18

A 4PCS
D 2PCS
G 1PCS



STEP 19

B 4PCS



STEP 20

B 12PCS
D 4PCS
F 2PCS
H 2PCS

