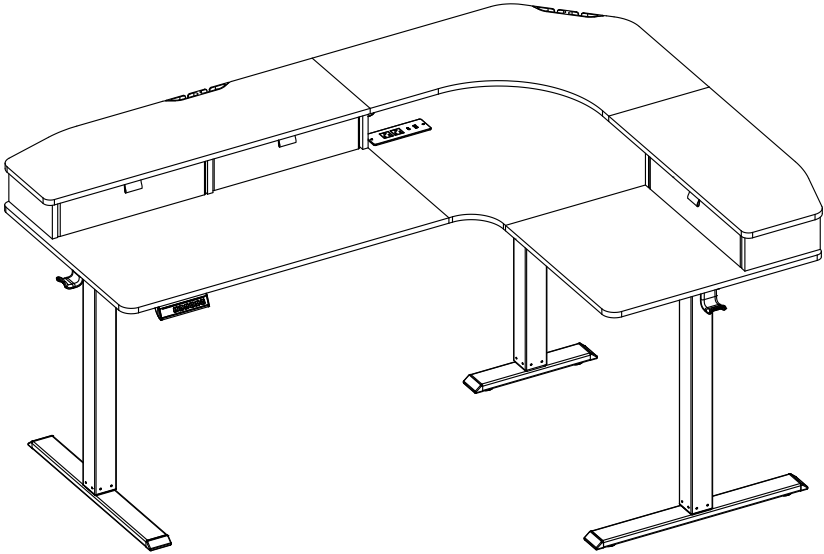


Electric Standing Desk





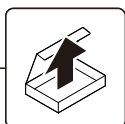
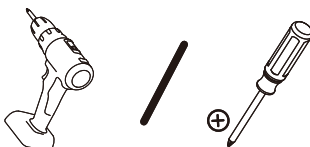
Height Adjustment Range
27.5–46.4" (70–118cm)



Power Input
100V–240V



Max. Speed
20mm/s



M6 × 30mm

A x 12



M6 × 10mm

B x 20



5/32" (4mm)

C x 1



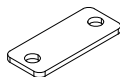
ST5 × 14mm

D x 51

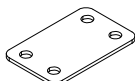


ST3.9 × 13mm

E x 8



F x 4



F1 x 4



G x 32



H x 4



I x 1



K x 4



L1 x 21

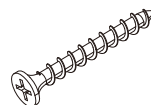


L2 x 21



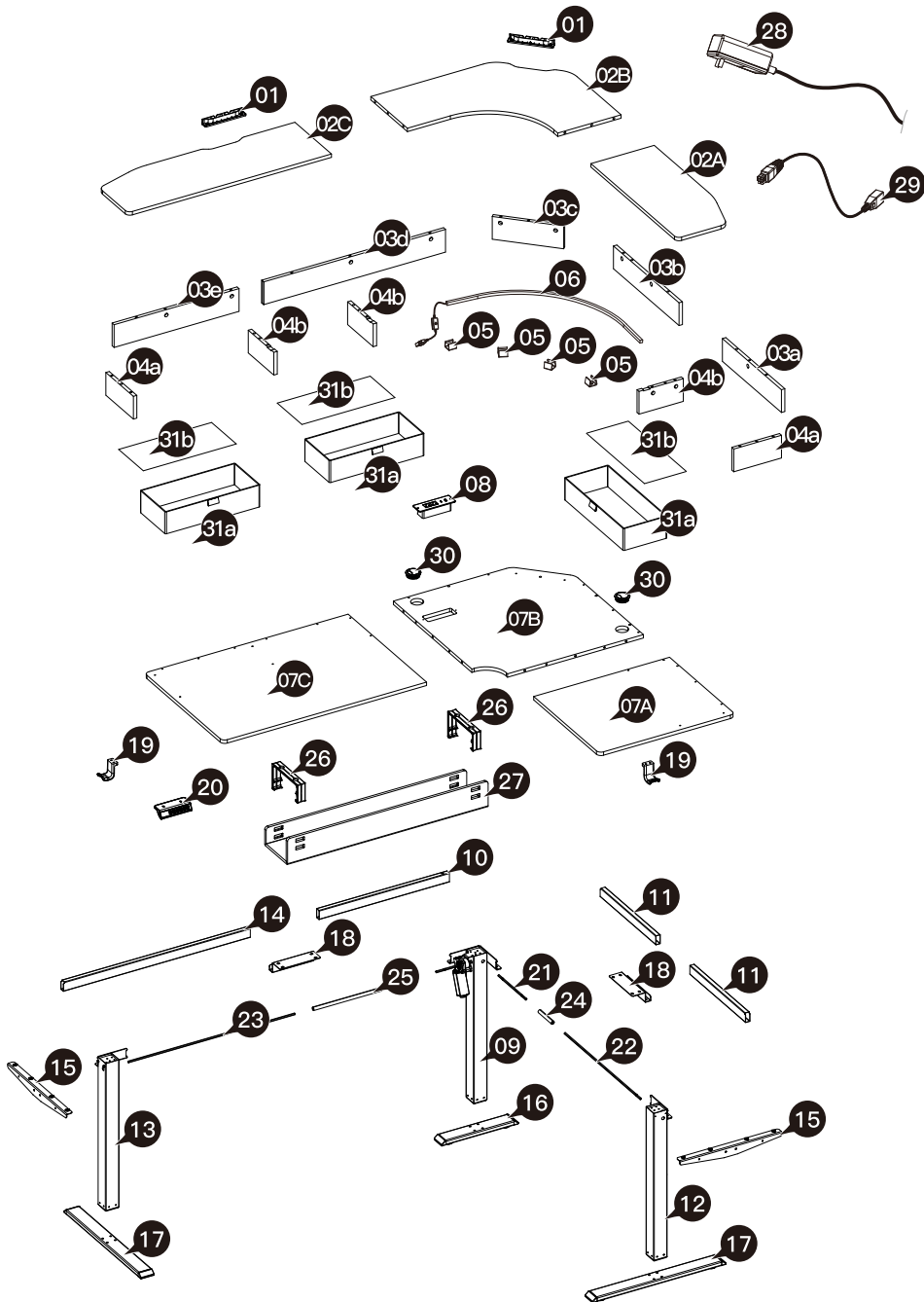
ST3 × 8mm

M x 4

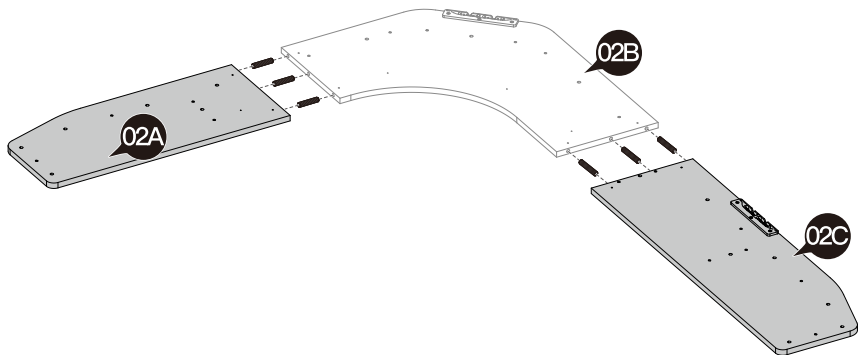
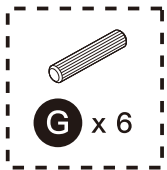
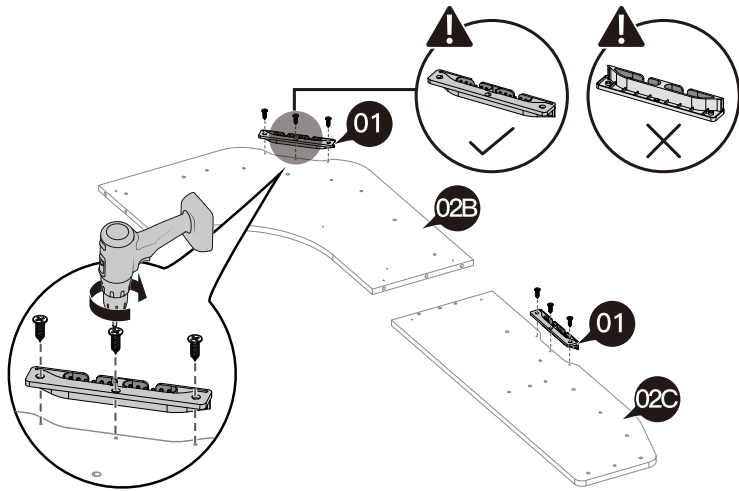
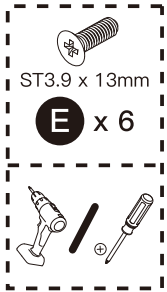


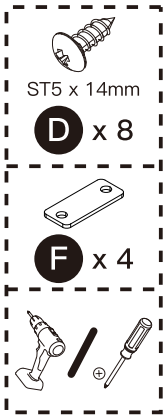
ST4 × 35mm

N x 25

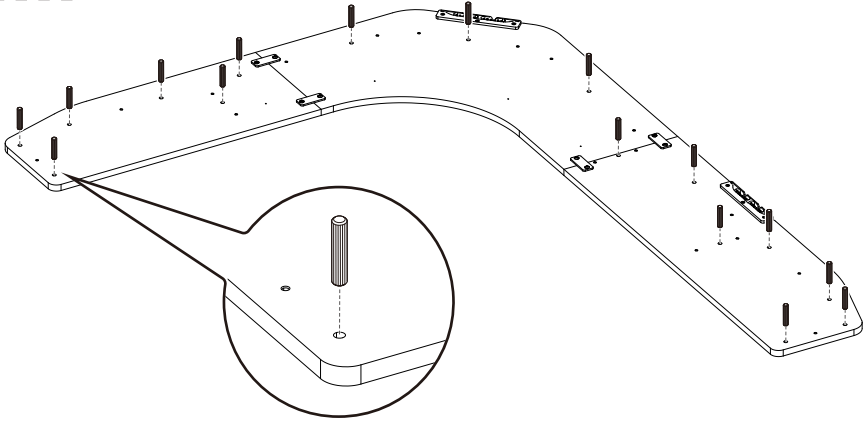
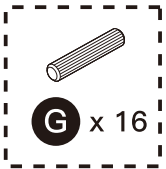
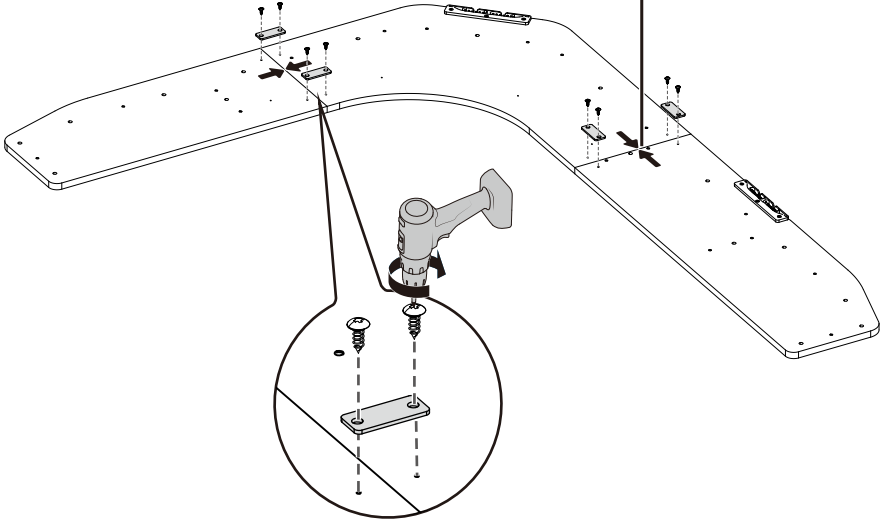


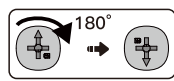
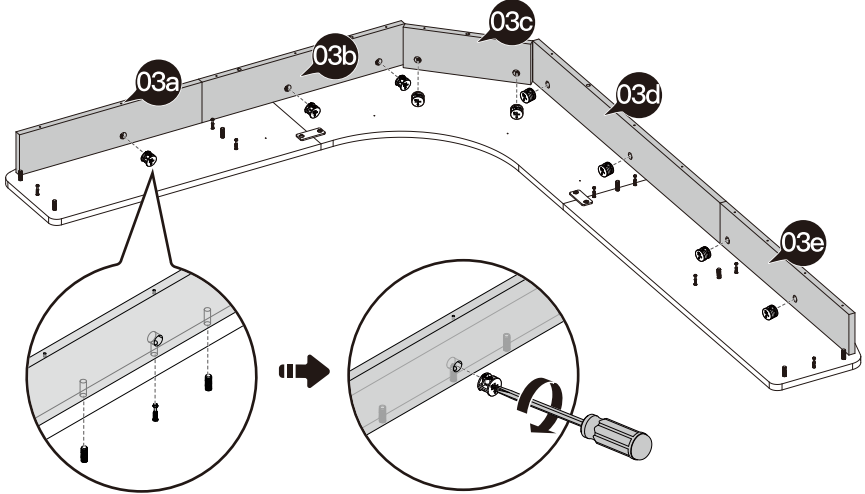
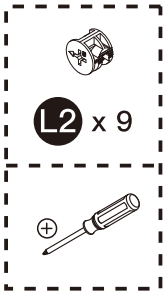
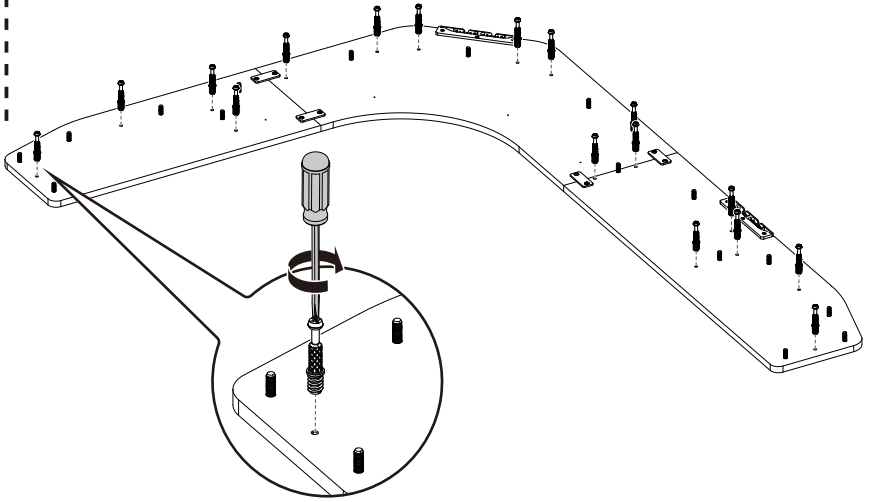
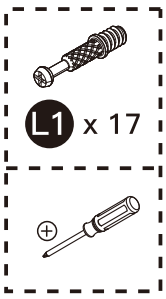
1 Assembling the Desktop

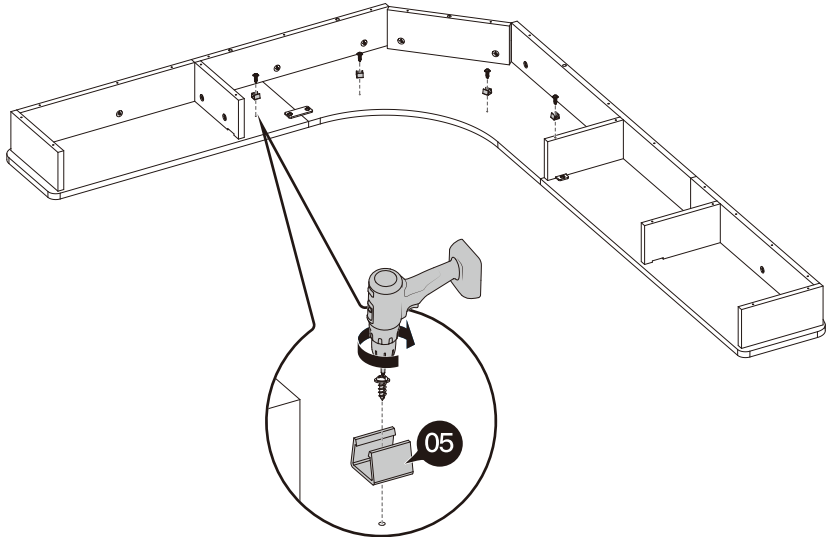
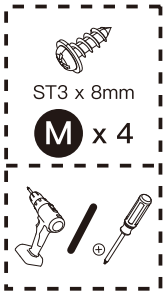
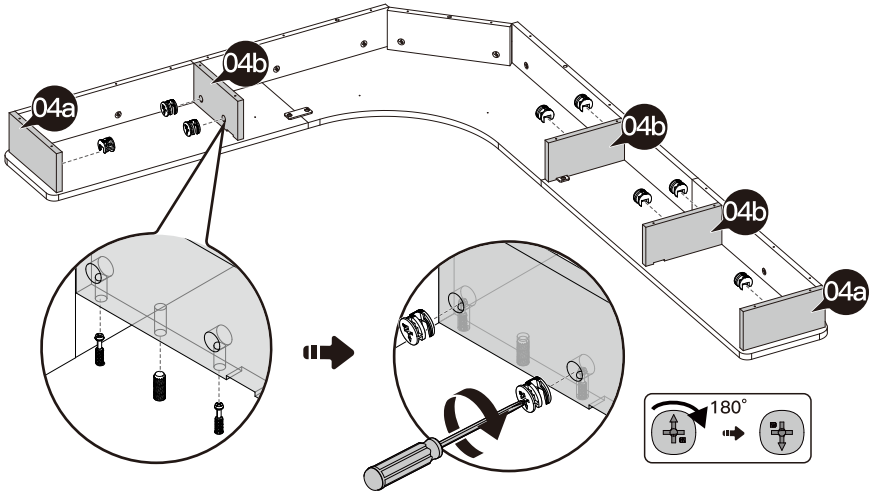
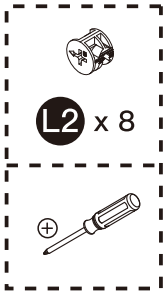


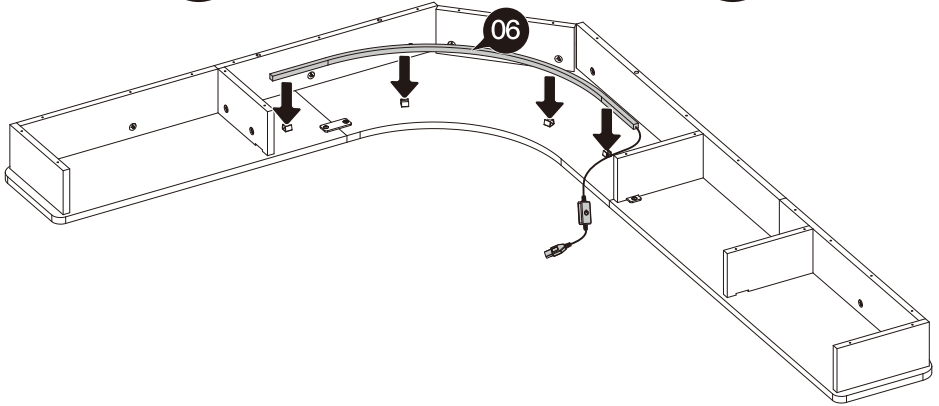
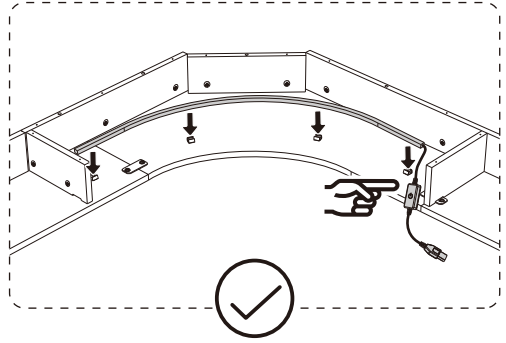
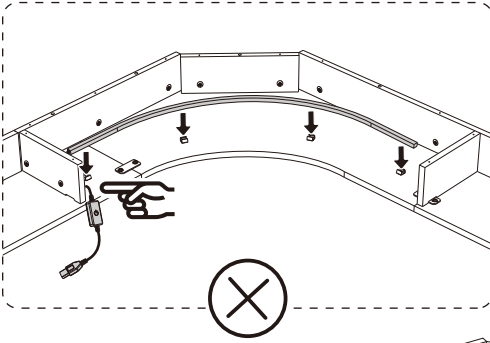



 Press tightly together.

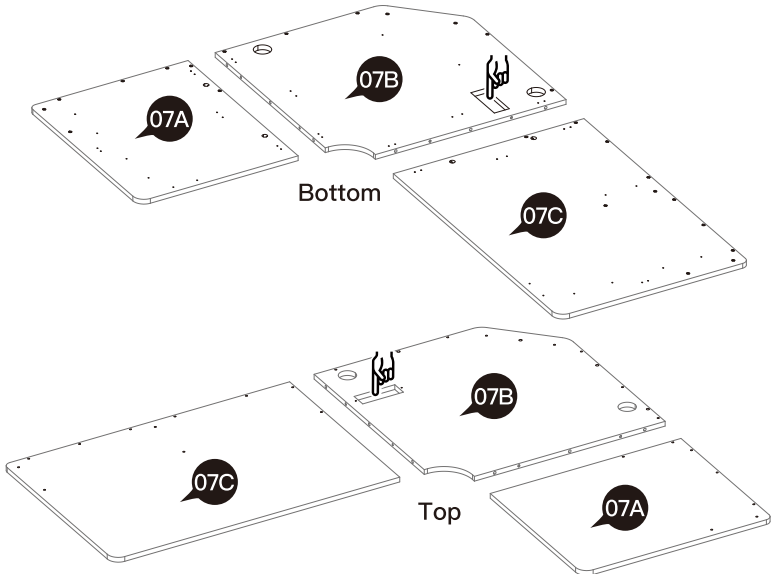


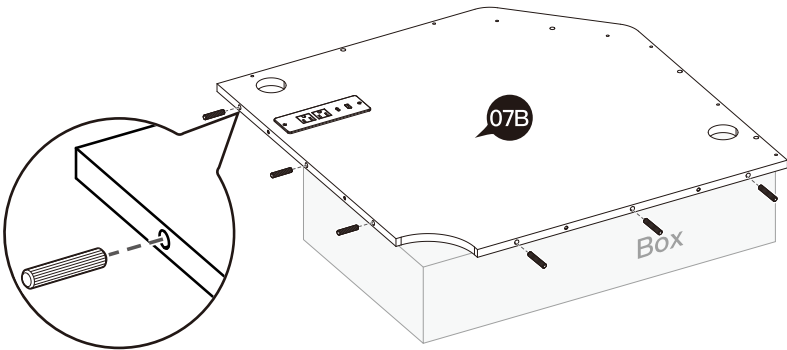
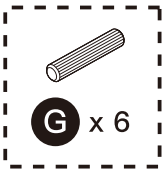
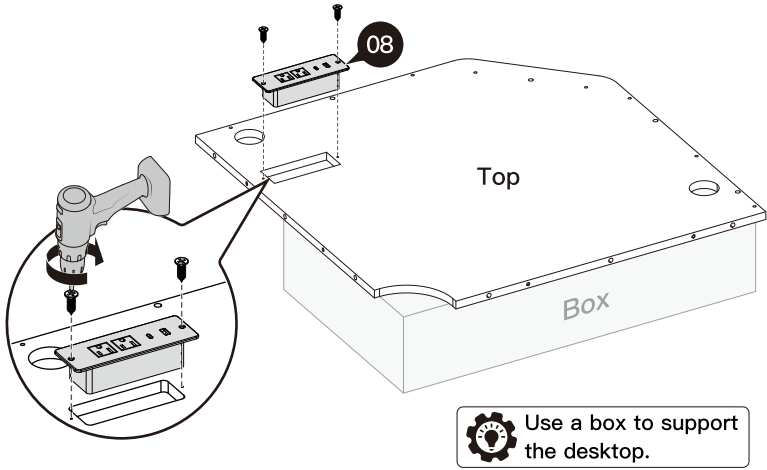
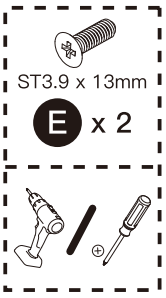


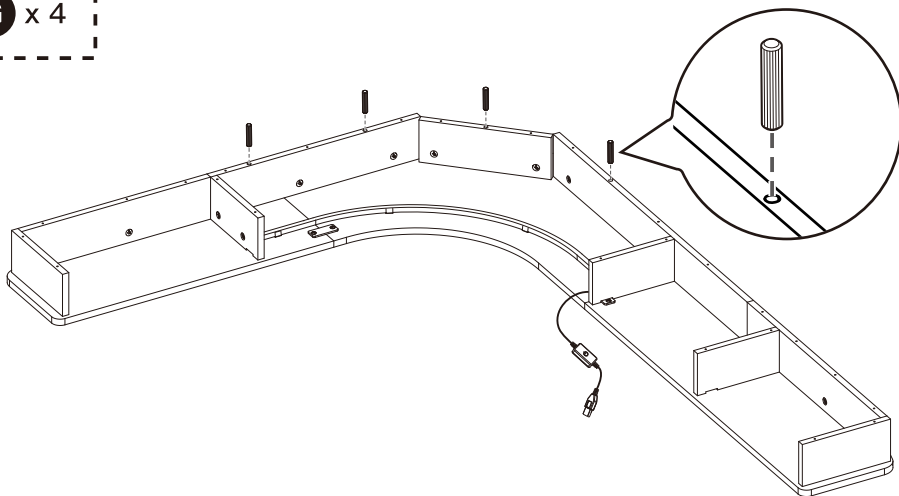
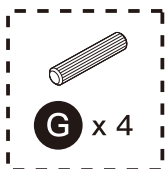
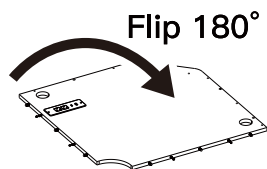
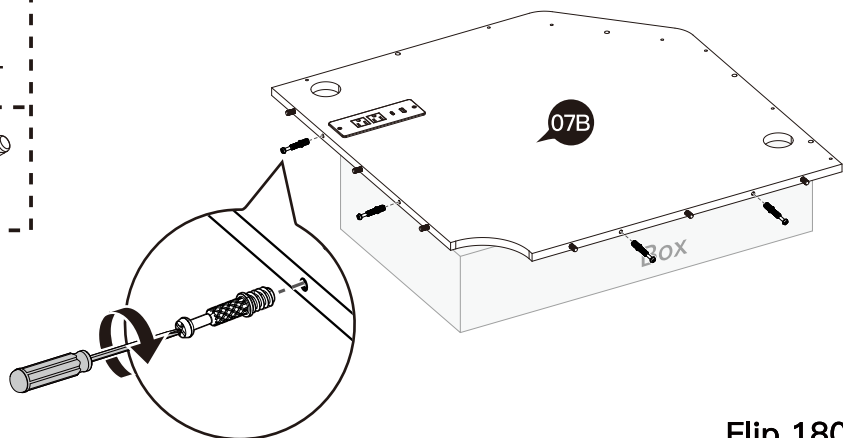
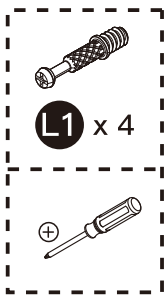


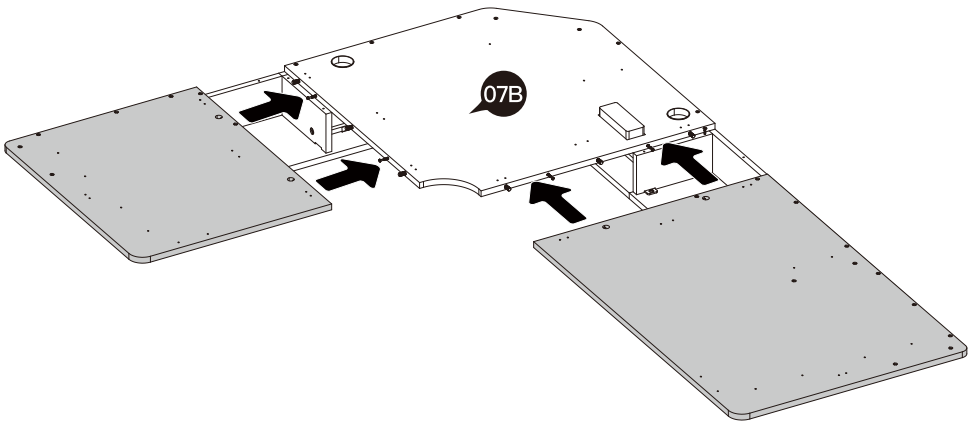
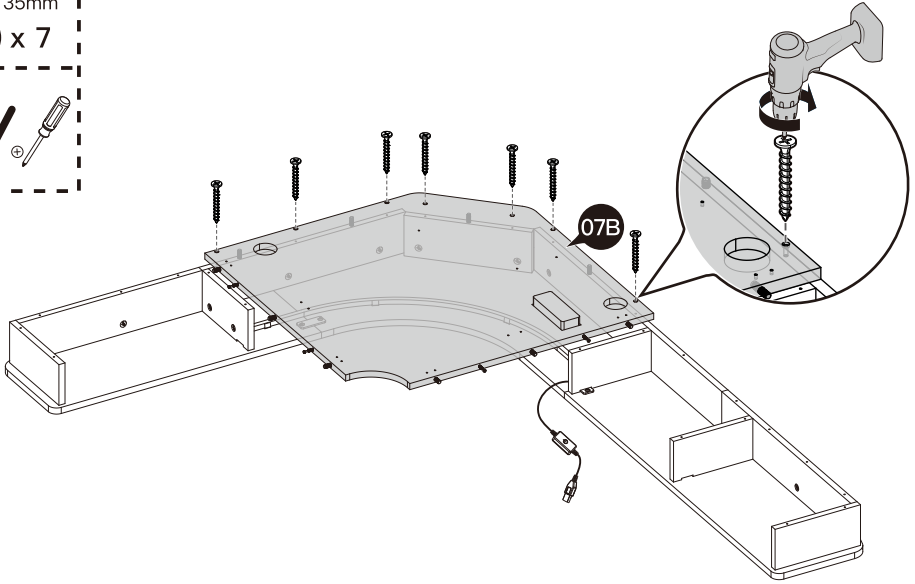


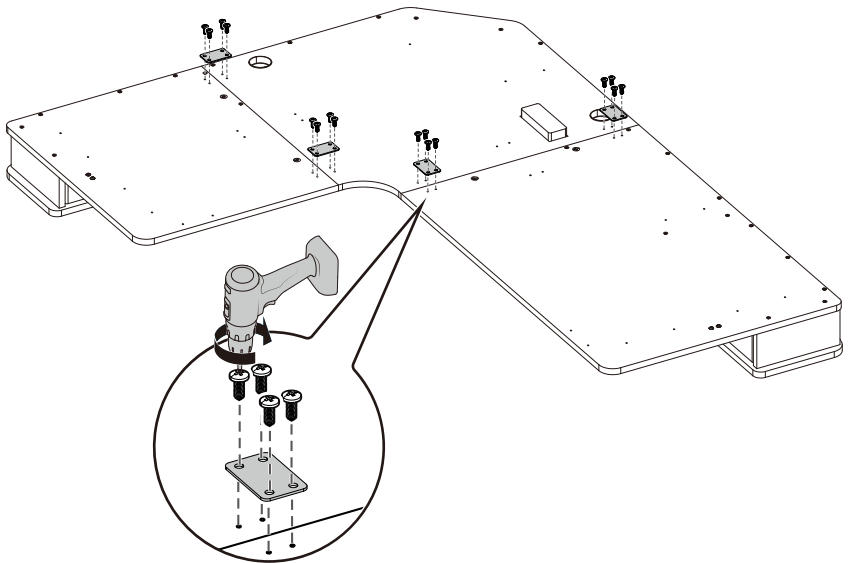
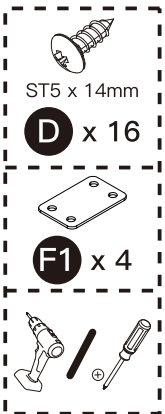
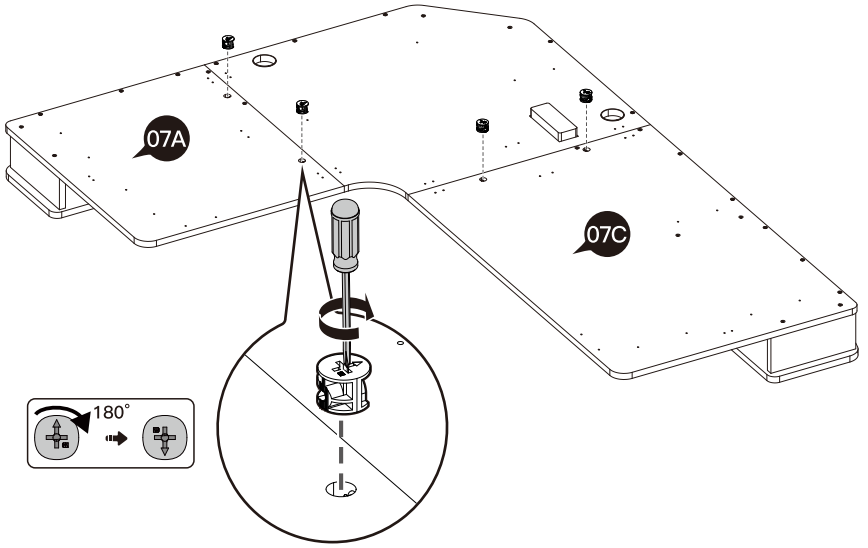
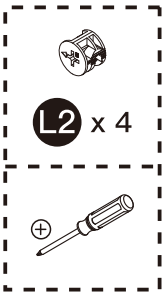
 Tip: ● indicate pre-drilled hole locations.

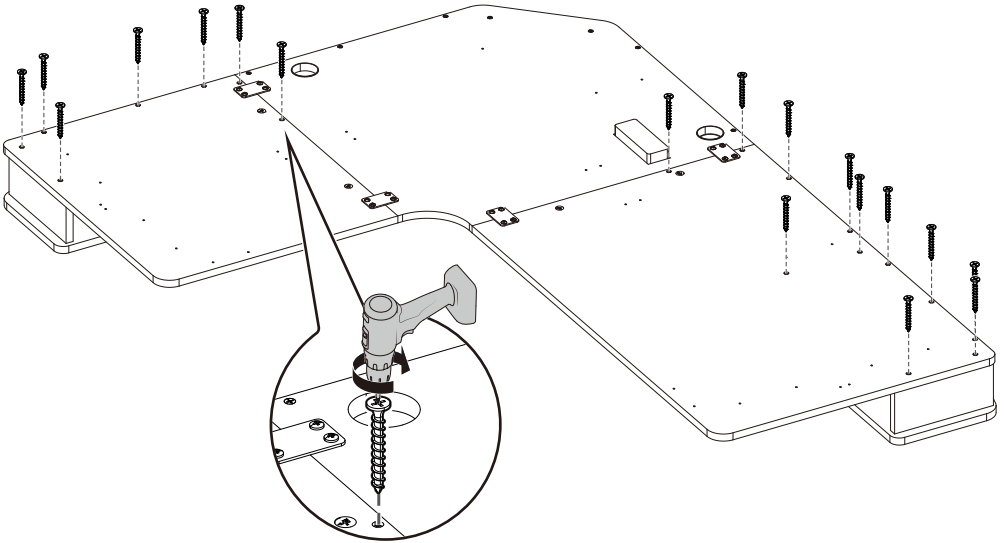






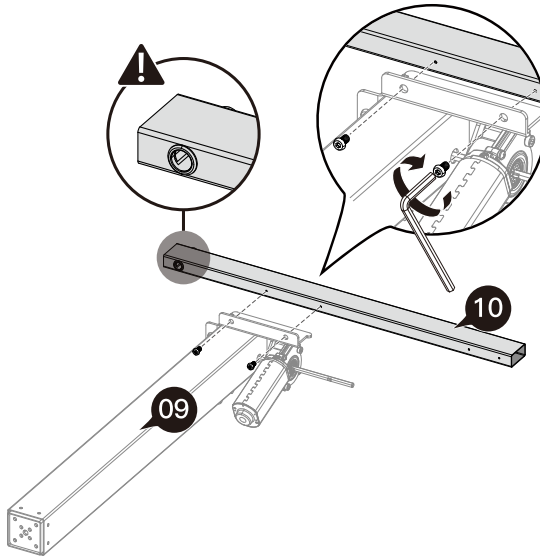
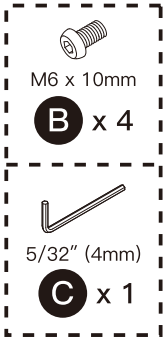




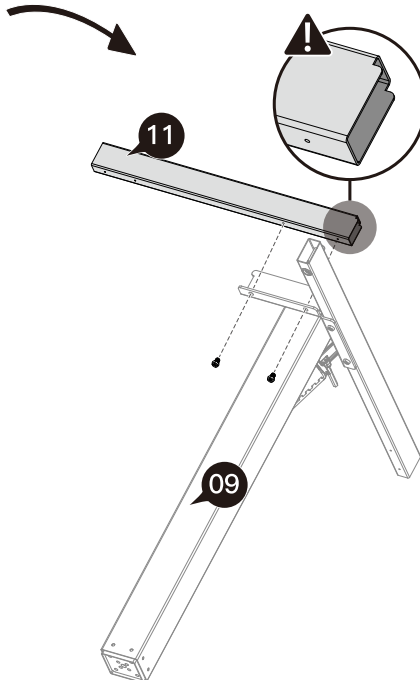


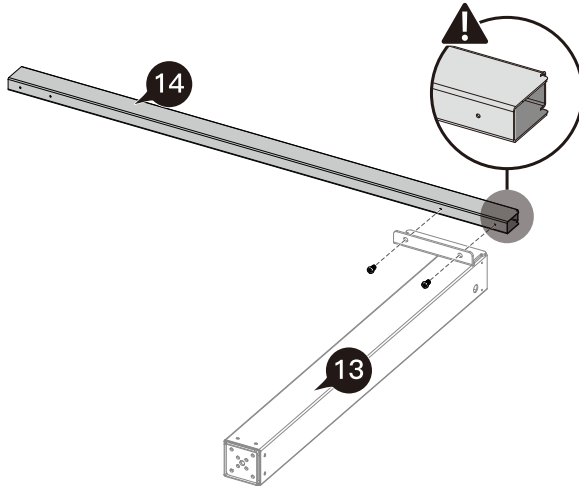
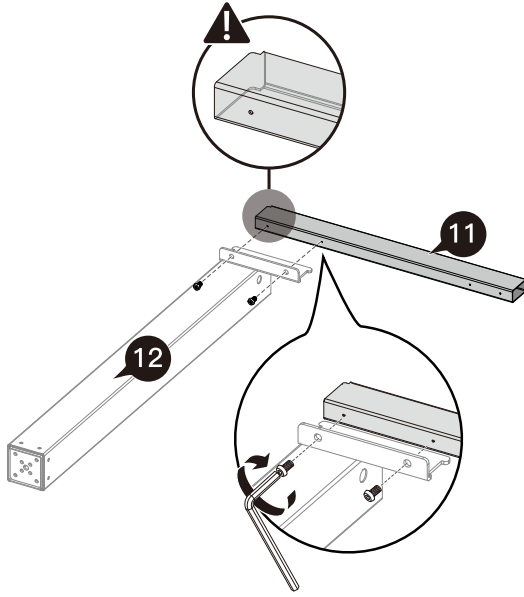
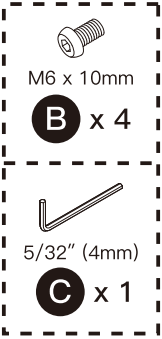
2

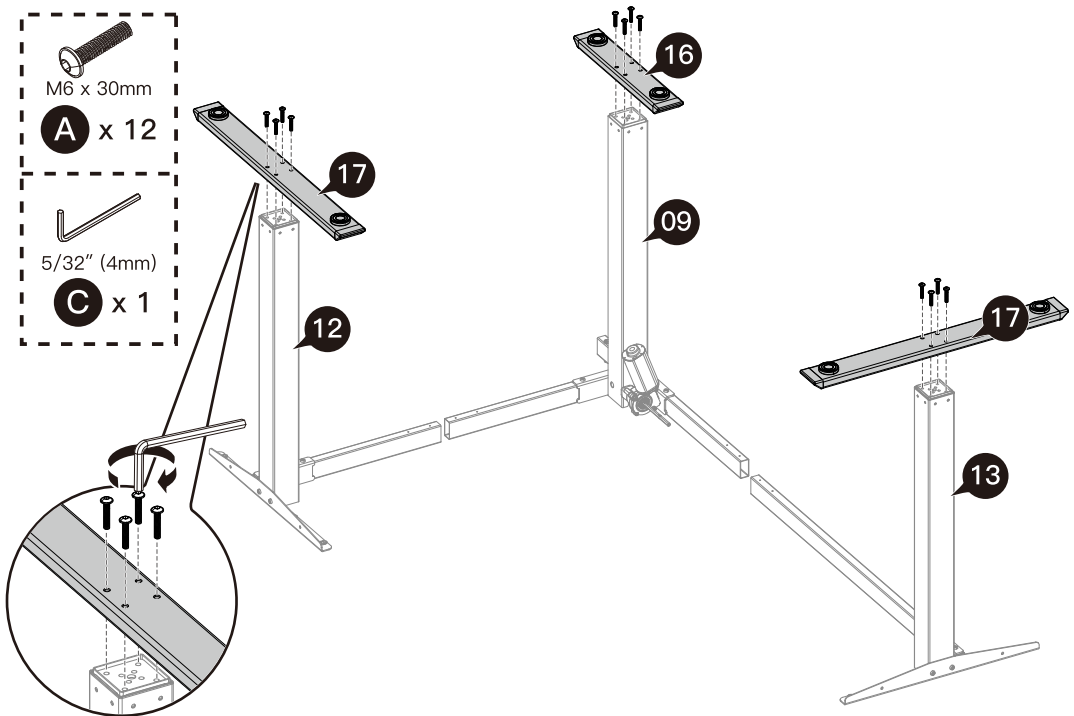
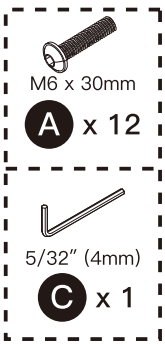
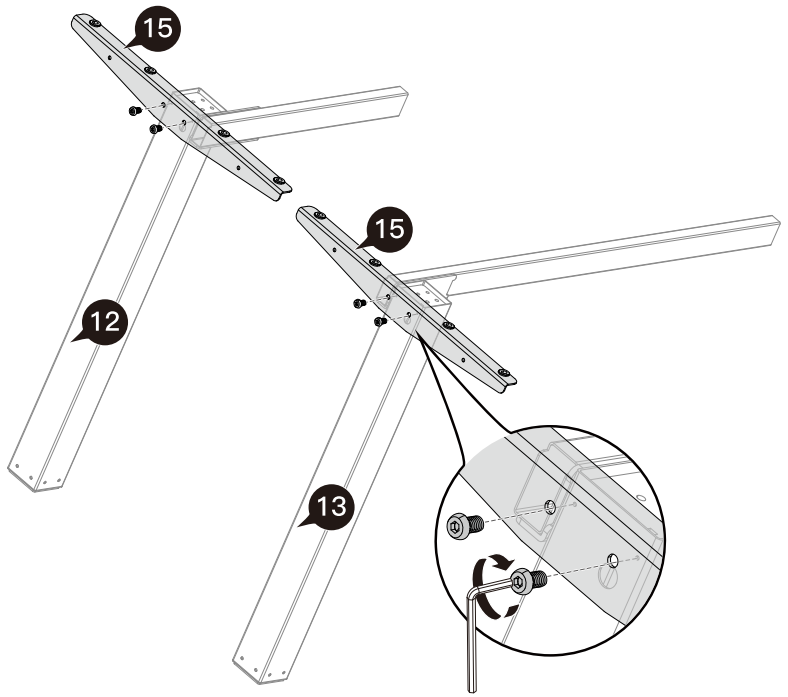
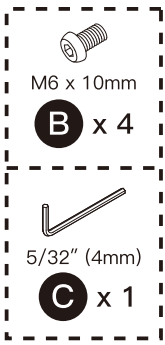
Assembling the Frame



Flip 90°

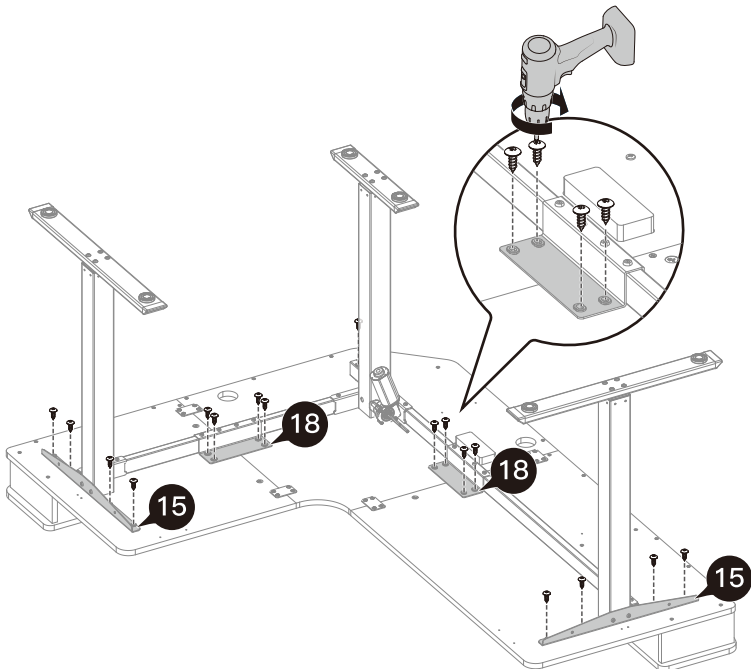
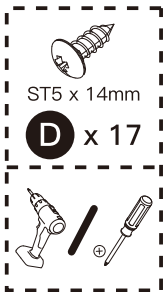
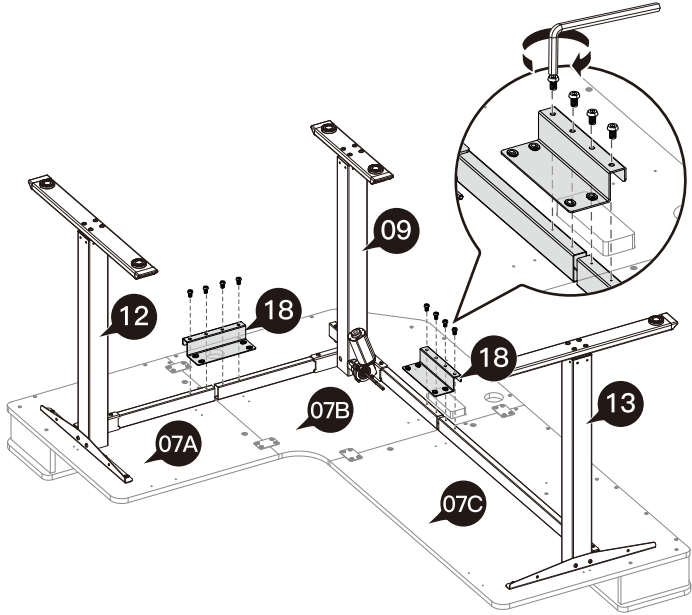
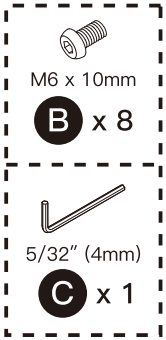


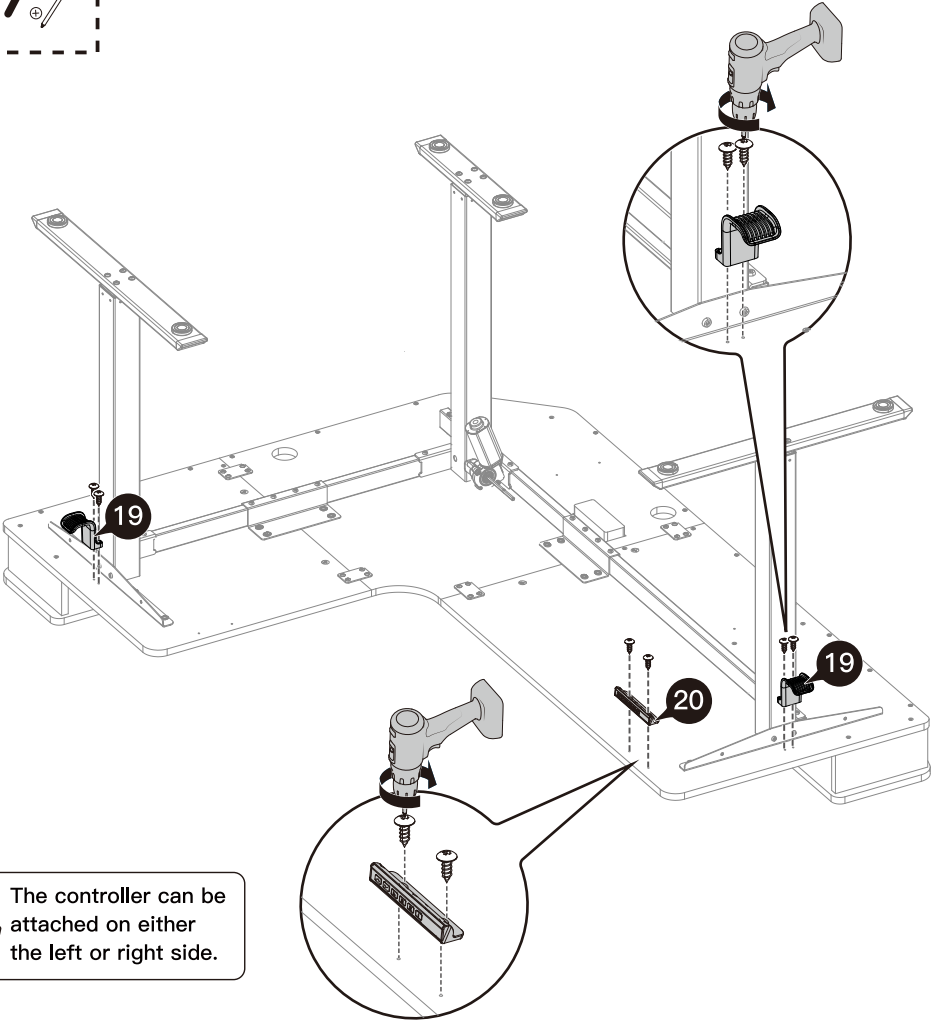
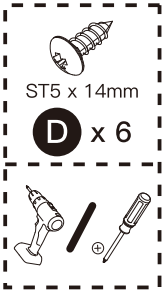




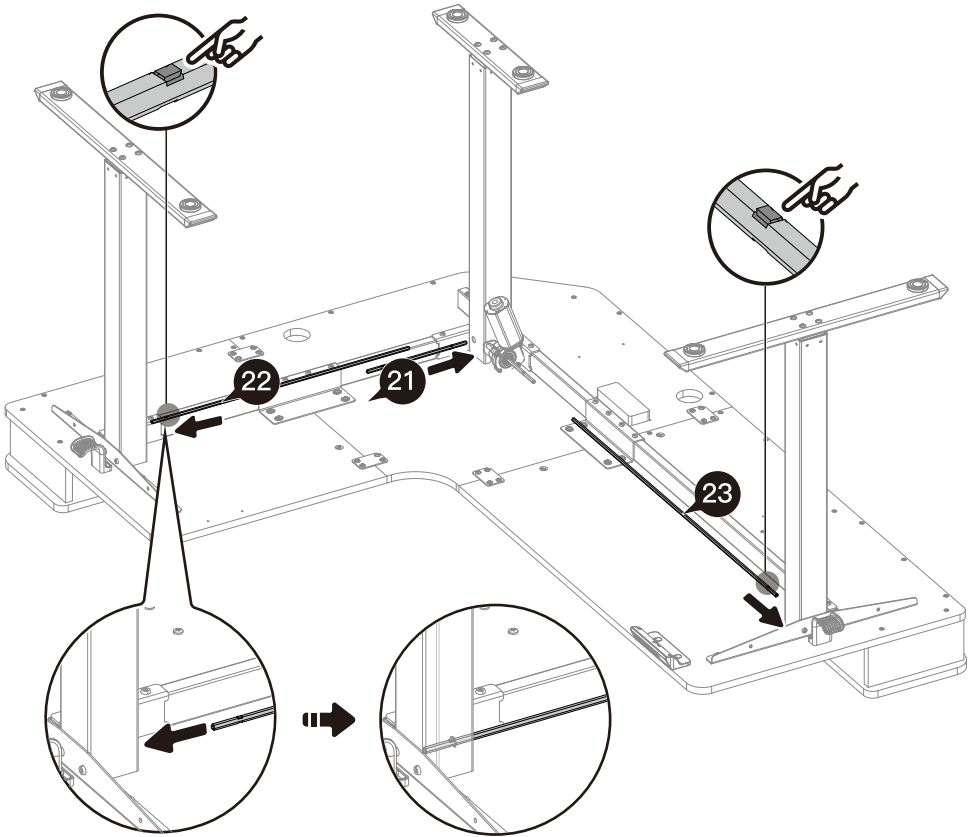
3

Attaching the Frame to the Desktop



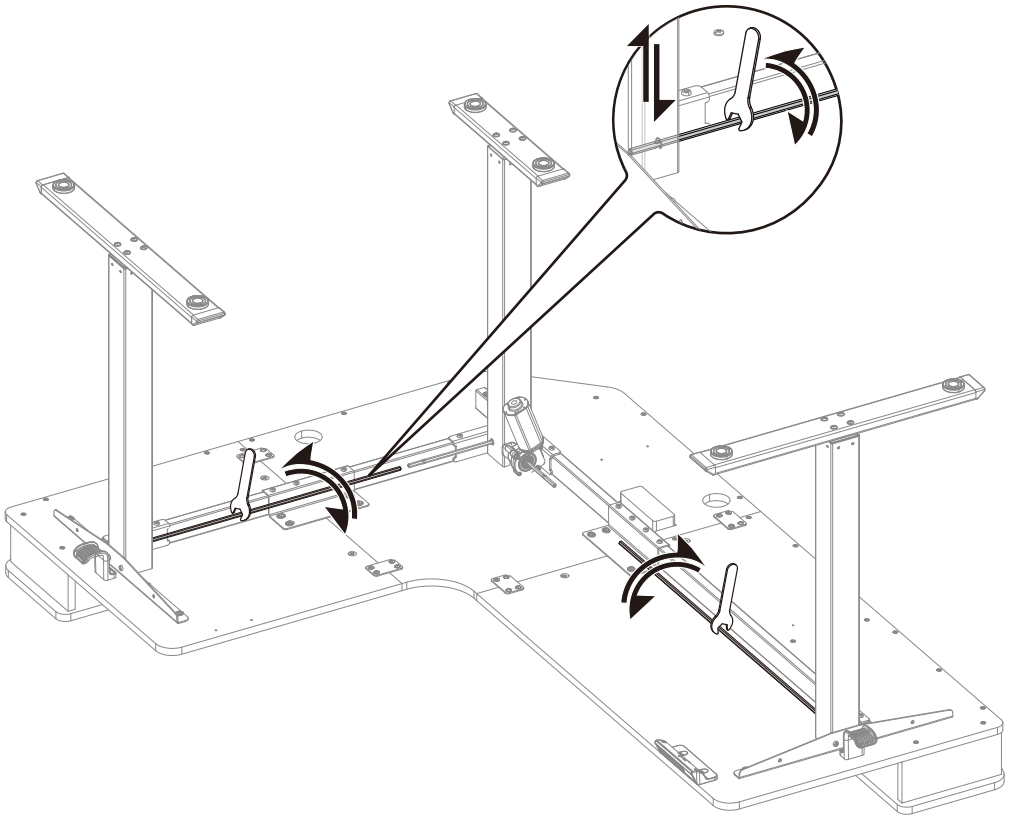
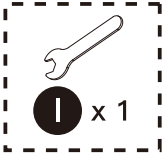


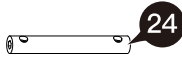
The controller can be attached on either the left or right side.



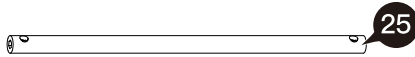
Adjust uneven desk legs if needed:

Measure the heights of three desk legs to see if they are set at the same level. If not, turn the rods to raise or lower the legs until they are level with the leg with motor.

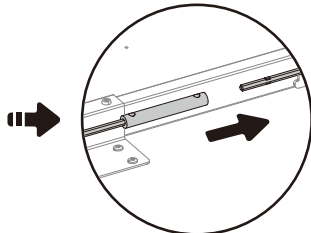
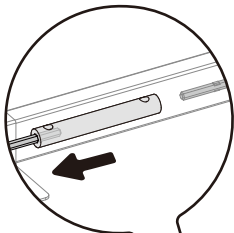
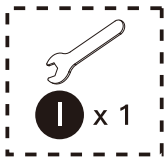




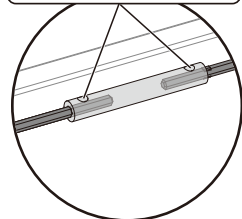
24



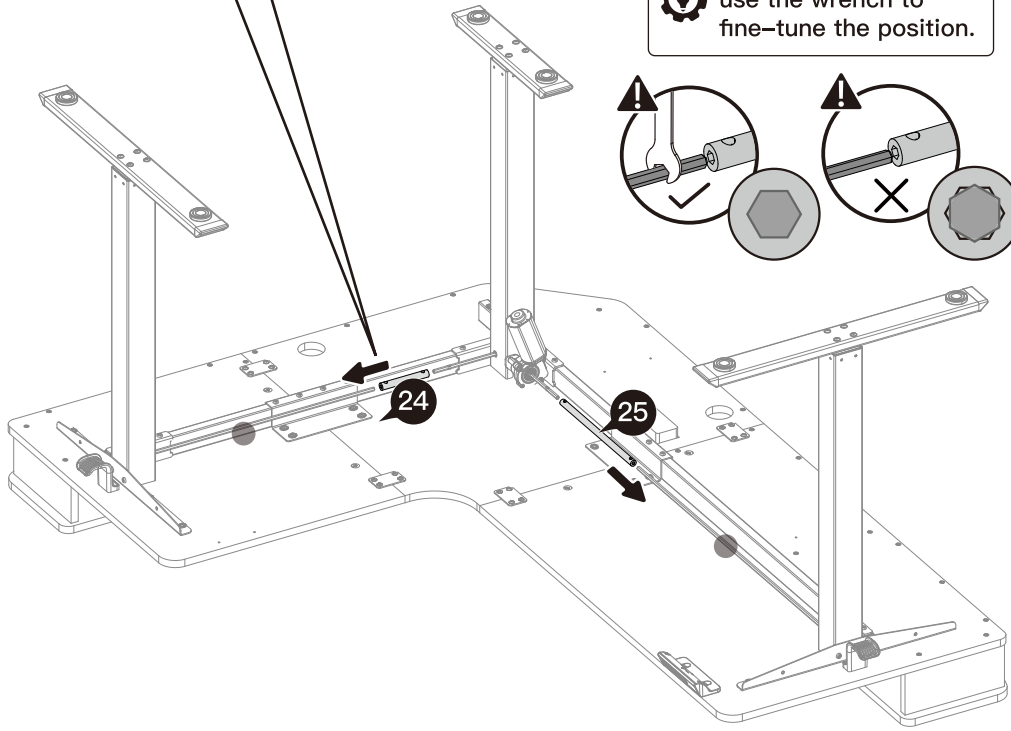
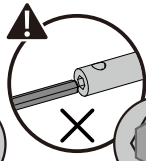
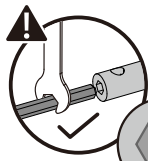
25

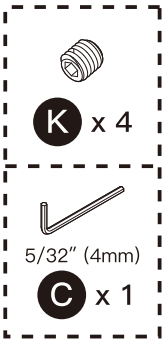


⚠ Make sure the holes for set screws face out.

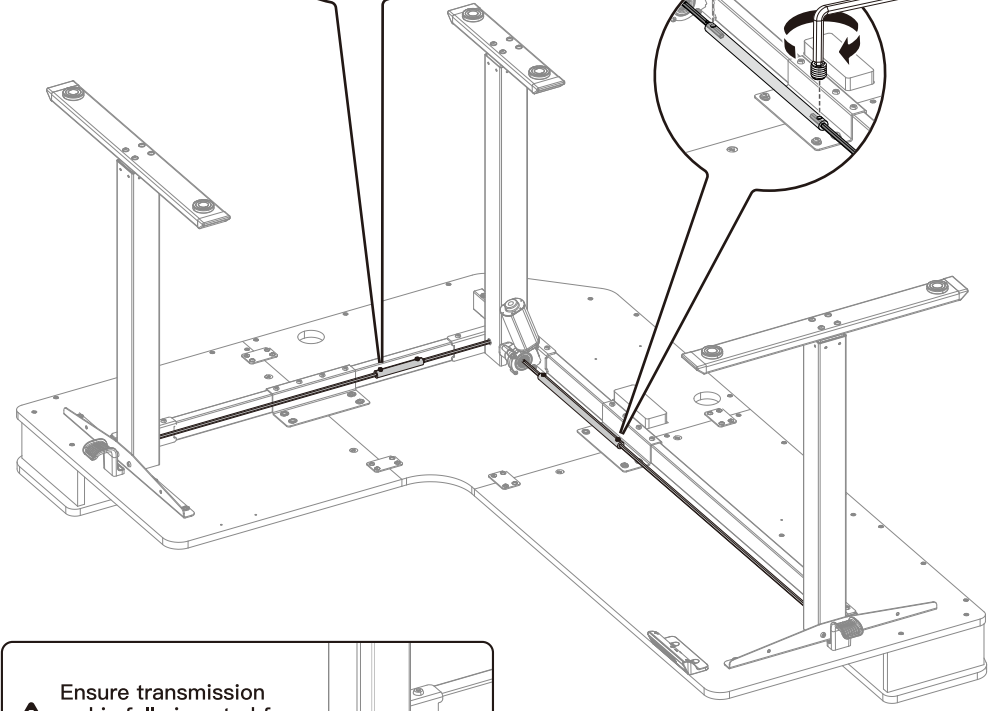
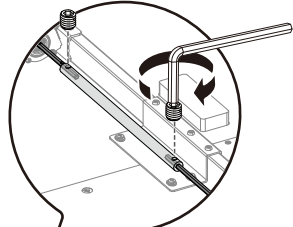
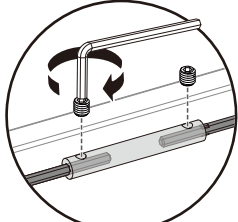


⚙ If the transmission rod does not fit smoothly, use the wrench to fine-tune the position.





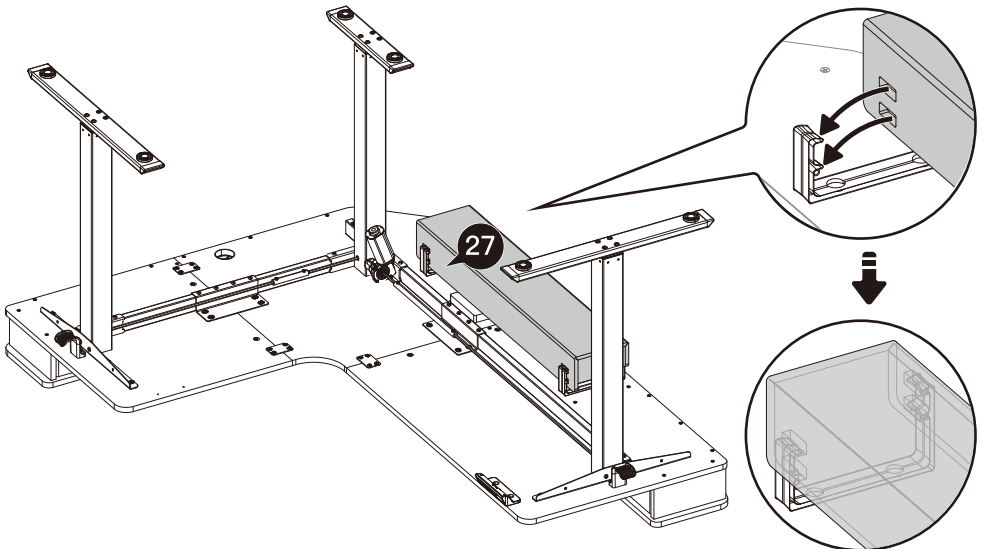
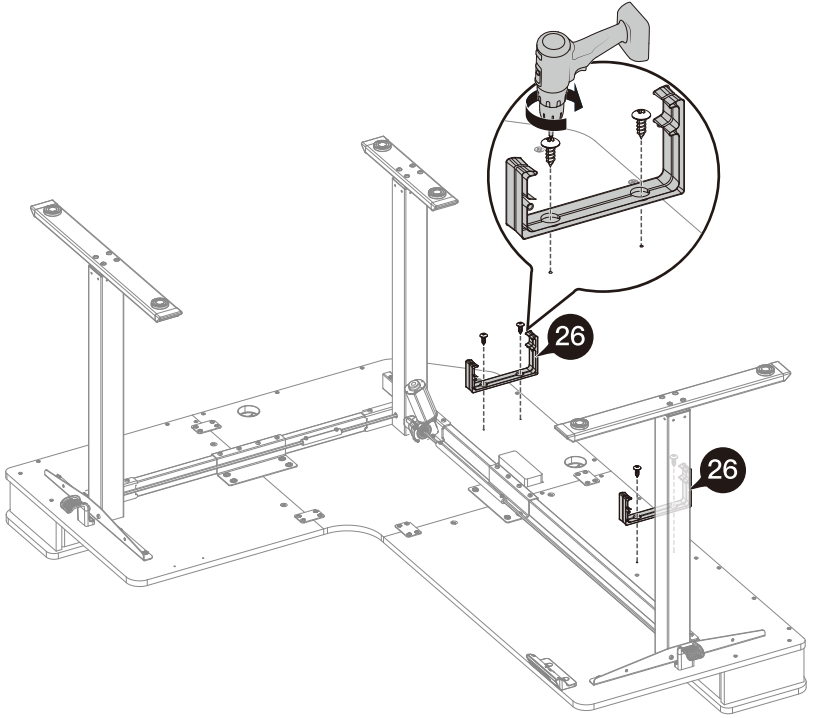
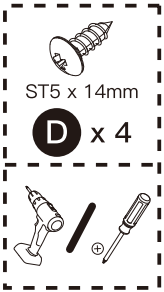
! Ensure the rods are under these screw holes.



! Ensure transmission rod is fully inserted for firm connection and reliable operation.


4

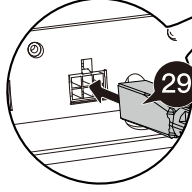
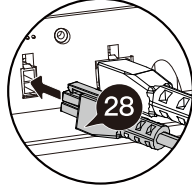
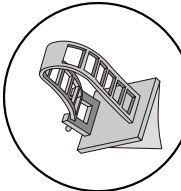
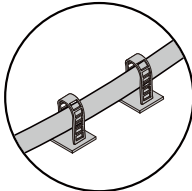
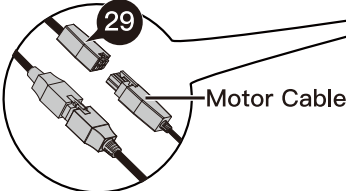
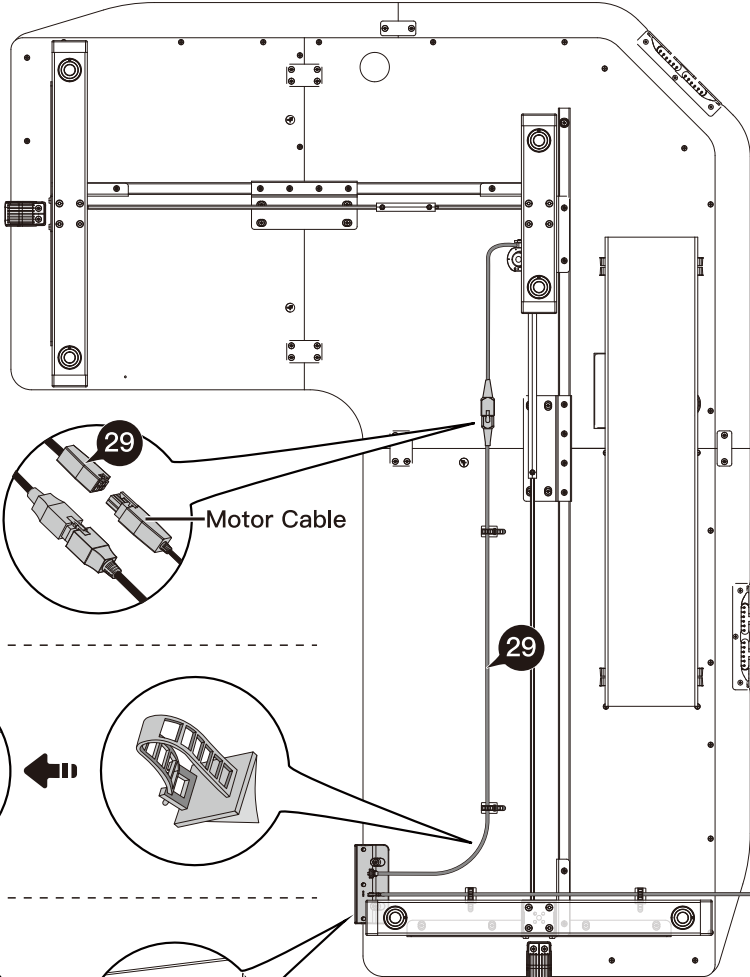
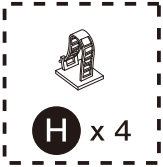
Attaching the Cable Management Tray



5

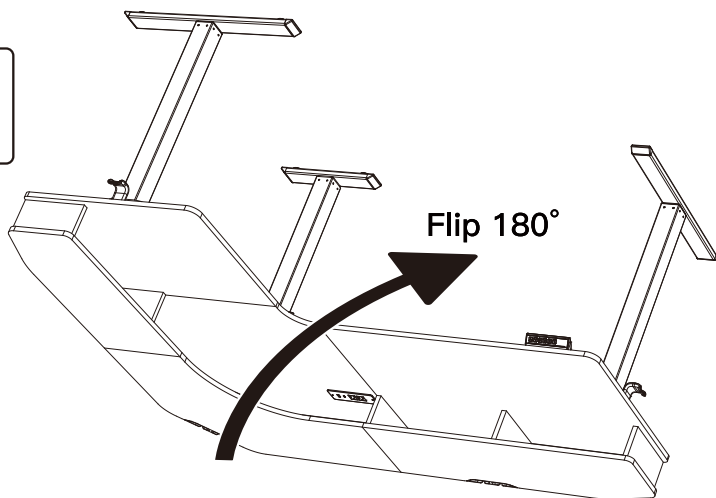
Connecting the Cables

 An example of a cable clip layout is indicated below. However, the cable clips can be arranged according to your needs.

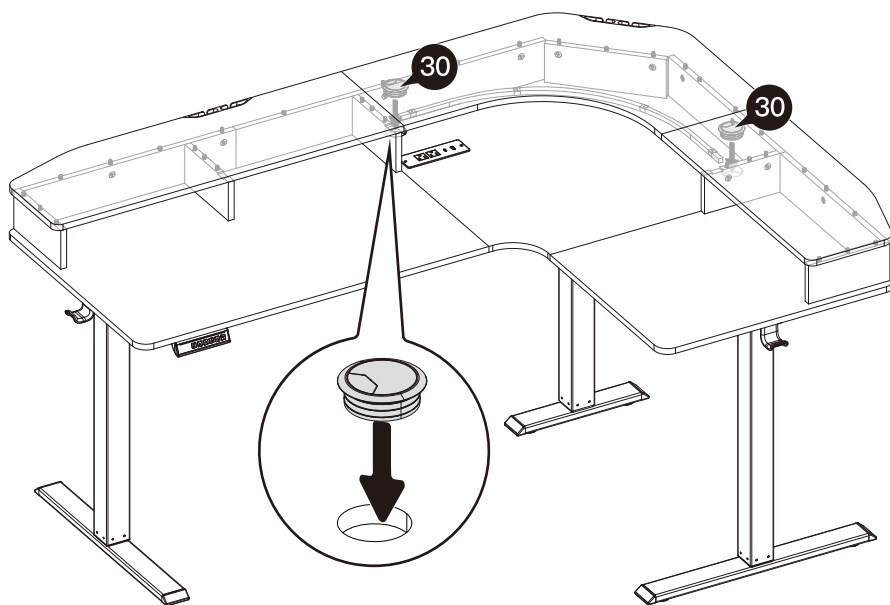


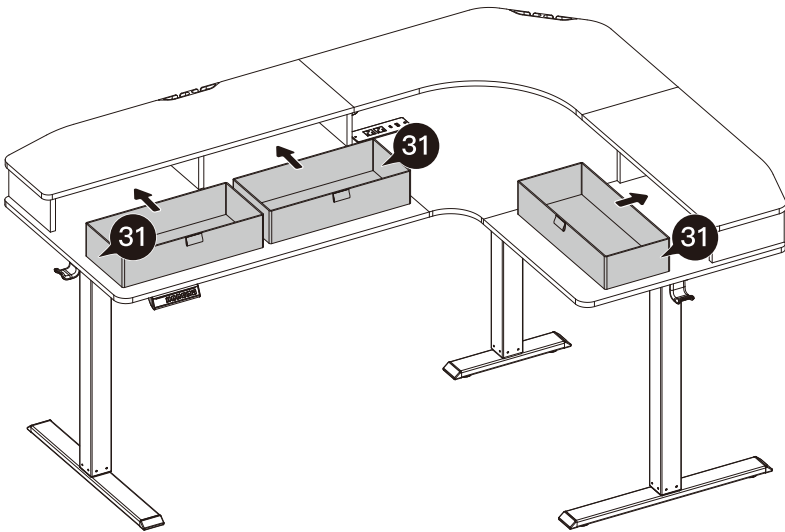
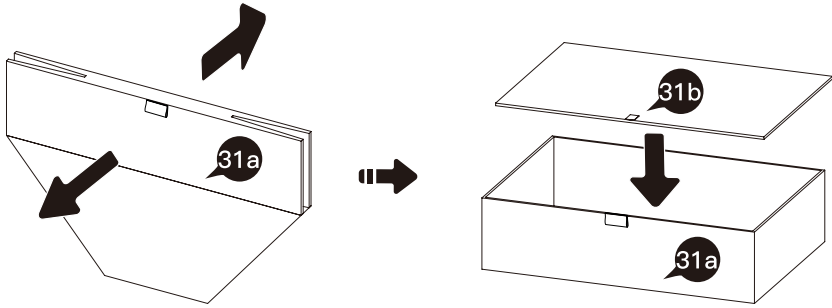
6

Attaching the Grommet Covers and Drawers

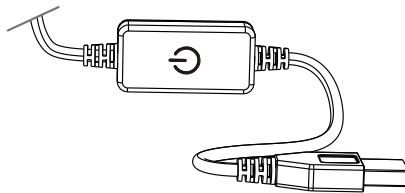




! When flipping the desk over, do not allow the controller to collide with the ground, which could cause damage.



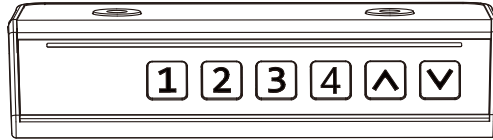


Using the Light Strip



- Short-press the  button to turn the light on or off.
- Long press the  button to adjust the brightness of the light.

Using the Controller



Reset before first use.

Note: Ensure there are no obstacles when using the desk, that the desktop is not too close to the wall, and that all cables are long enough for the desk to move up and down freely. When the controller screen is off (power-saving mode), press any button to wake it before operating.

Suggestion: Set the most comfortable height when you sit down to **1** and the most comfortable height when you stand up to **2**. The other two presets can be set for another user or for other heights you want to use.

Raise the Desk

Press the **▲** button to raise the desk continuously until it reaches the highest position of 46.4" (118cm) or the button is released.

Lower the Desk

Press the **▼** button to lower the desk continuously until it reaches the lowest position of 27.5" (70cm) or the button is released.

Save Height Settings

Four heights can be stored. Press and hold the **1** / **2** / **3** / **4** button for 3 seconds. The digital number will flash three times and the current height will be stored to that button.

Select Height Setting 1

Press the **1** button. The desk will move to the height that was previously set for that button. Press any button to stop the desk.

Select Height Setting 2

Press the **2** button. The desk will move to the height that was previously set for that button. Press any button to stop the desk.

Select Height Setting 3

Press the **3** button. The desk will move to the height that was previously set for that button. Press any button to stop the desk.

Select Height Setting 4

Press the **4** button. The desk will move to the height that was previously set for that button. Press any button to stop the desk.

Settings

<p>Reset</p> <p>-----</p> <p>'RST' displays as RST on the screen.</p>	<ol style="list-style-type: none"> 1. Press and hold the <input checked="" type="checkbox"/> button until the desk goes down to its lowest level, then release the button. 2. Press and hold the <input checked="" type="checkbox"/> button for 5 seconds until the screen displays 'RST,' then release the button with 'RST' flashing. 3. Press and hold it again until the desk goes down to its lowest level and comes back up slightly. The screen will display the current height again, then reset is complete. <p>Note: It is recommended that you remove all items from the desktop before performing a reset.</p>
<p>Lock/Unlock</p>	<p>Press and hold 1 and 2 buttons together for 3 seconds to turn the lock on. The screen will display 'LOC' and the buttons will be disabled. Repeat to turn the lock off again.</p>
<p>Change Display Height Units</p>	<p>Press and hold 1 and 3 buttons together for 3 seconds to switch the display height unit. The default unit is imperial.</p>
<p>Change Collision Detection Sensitivity</p>	<ol style="list-style-type: none"> 1. Press and hold 1 and 4 buttons together for 3 seconds and 'S02' will flash on the screen. The last digit displayed is the current sensitivity level, and the value range is 0–3 (0: off; 1–3: highest to lowest). 2. Select other levels by pressing <input type="checkbox"/> or <input checked="" type="checkbox"/> button, then press and hold 1 and 4 buttons together for 3 seconds. The digits will stop flashing and the screen will display the current height again. <p>Note: Sensitivity is preset to Normal by the factory. However, sensitivity may be adjusted if needed.</p>
<p>Set/Clear Lowest Limit</p>	<ol style="list-style-type: none"> 1. To set the lowest height limit, press and hold <input checked="" type="checkbox"/> and 1 buttons together for 3 seconds. The screen will display '-dO.' Whenever the desk reaches the lowest limit, the screen will display '-LO.' 2. To clear the lowest height limit, move the desk down to the lowest height (screen displays '-LO'), then press <input checked="" type="checkbox"/> and 1 buttons together for 3 seconds. '-dO' will flash on the screen and the limit will be cleared.
<p>Set/Clear Highest Limit</p>	<ol style="list-style-type: none"> 1. To set the highest height limit, press and hold <input type="checkbox"/> and 1 buttons together for 3 seconds. The screen will display '-UP.' Whenever the desk reaches the highest limit, the screen will display '-HI.' 2. To clear the highest height limit, move the desk up to the highest height (screen displays '-HI'), then press <input type="checkbox"/> and 1 buttons together for 3 seconds. '-UP' will flash on the screen and the limit will be cleared.

Troubleshooting

1. Please try resetting the desk if you have any issues including the following:
 - Abnormal operation.
 - The controller screen displays 'RST' (reset).
 - The controller screen displays error message E01 – E08, but the motor cable is connected correctly.
2. If the controller screen displays 'HOT,' please wait 20 minutes for the motor to cool down before making any further height adjustment.