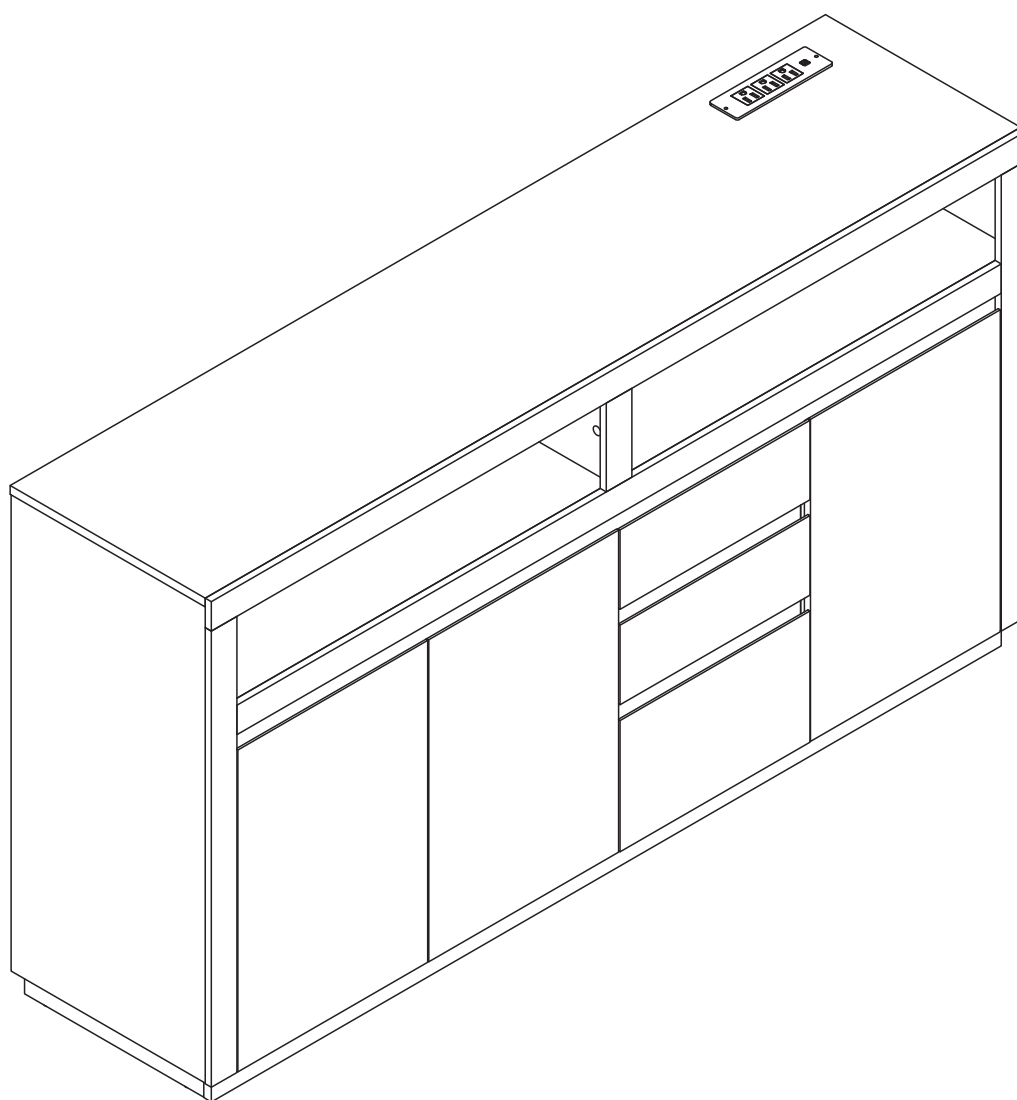


## Cabinet > Manual



Thank you for purchase on our products. Please contact us if you have difficulty with assembly or need replacement parts. Our customer service is here to assist you. Please attach your User Name or Order ID so that we can assist you better.

Vielen Dank für Ihren Kauf von uns Produkten. Bitte kontaktieren Sie uns, wenn Sie Probleme mit Montage haben oder Ersatzteile benötigen. Wir Kundenservice ist für Sie da. Bitte geben Sie Ihren Benutzernamen oder Ihre Bestellnummer an, damit wir Sie besser unterstützen können.

**EN**

## **WARNING**

Serious or fatal injury may occur from unexpected assembly or use.

1. During the assembly process, keep all parts away from babies or children.
2. Always securely fix this product to the wall. Make sure the wall area to be drilled is free from hidden electrical wires, water and gas pipes.
3. Use of tip-over restraints may only reduce, but not eliminate the risk of tip-over.
4. Unless specially designed to accommodate, do not set heavy objects on top of this product.
5. Place the heaviest items on the lowest shelf.
6. Never allow children to climb or bang on drawers, doors or shelves.

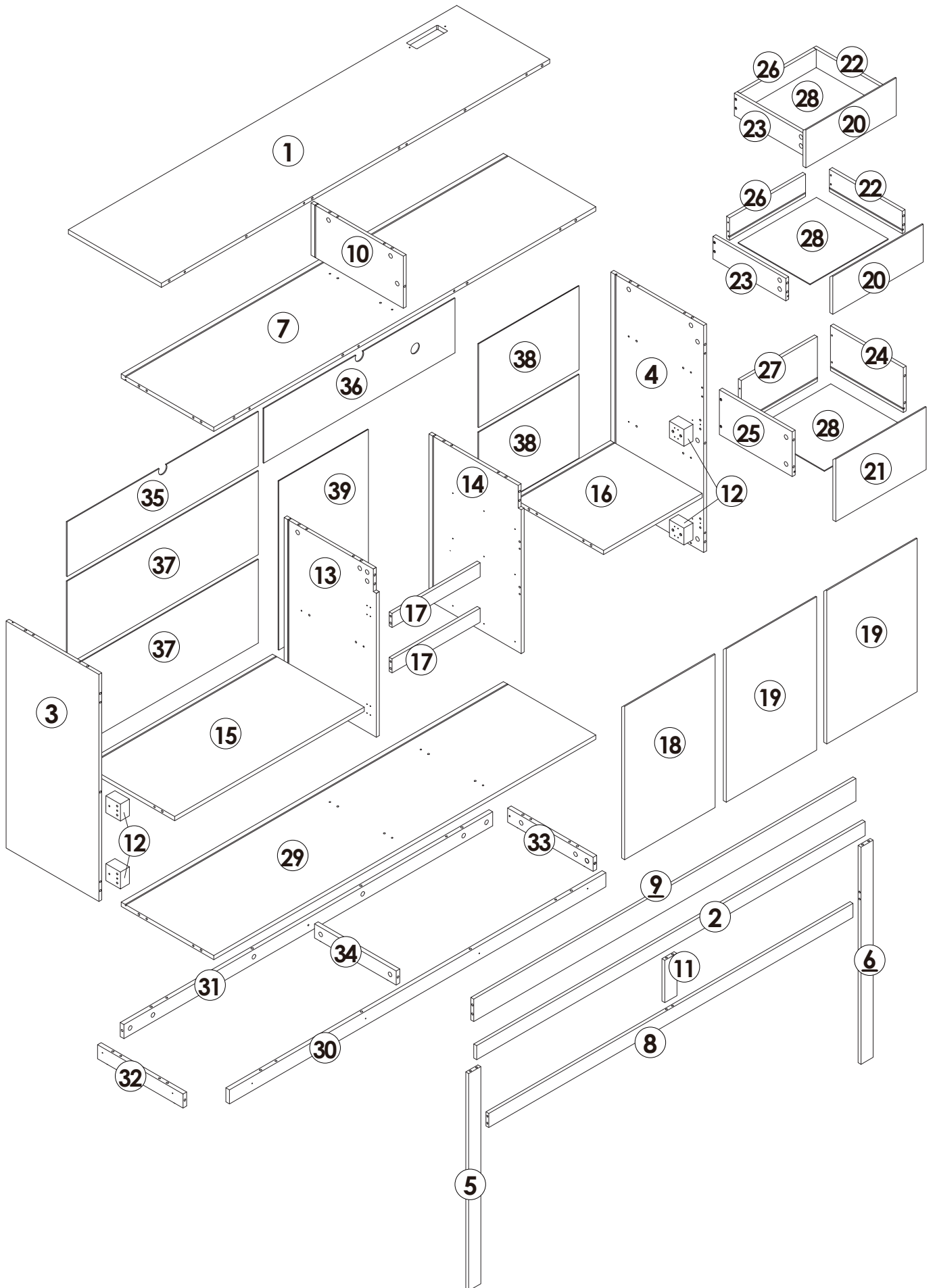
**DE**

## **WARNUNG**

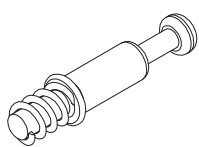
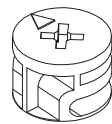
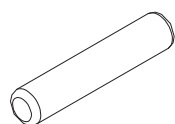
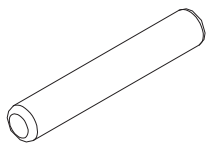
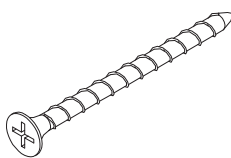
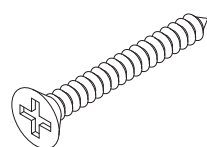
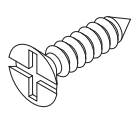
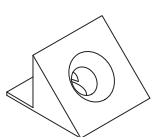
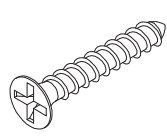
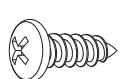
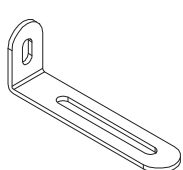
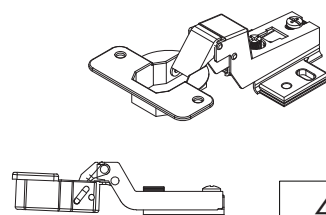
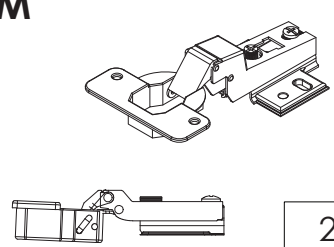
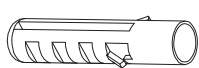
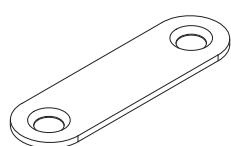
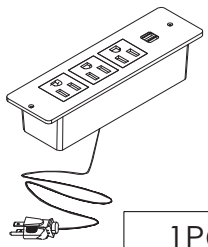
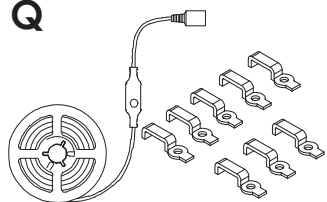
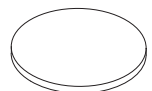
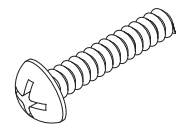
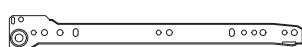
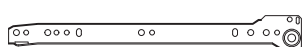
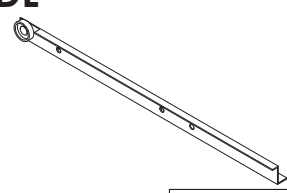
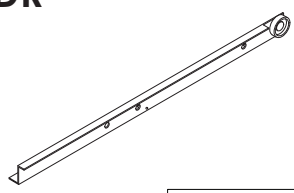
Bei unerwarteter Montage oder Verwendung können schwere oder tödliche Verletzung auftreten.

1. Legen Sie in den Montageprozess alle Teile weg von Babys oder Kindern.
2. Stellen Sie sicher, dass der gebohrte Wandbereich frei von verborgenen Stromkabeln, Wasser- und Gasleitungen ist, wenn Sie dieses Produkt an der Wand befestigen.
3. Die Verwendung von Kippsicherungen kann die Gefahr eines Kippens nur verringern, jedoch nicht beseitigen.
4. Setzen Sie bitte keine schweren Gegenstände auf dieses Produkt, es sei denn, dass das Produkt speziell für die Unterbringung konzipiert wird.
5. Legen Sie bitte die schwersten Gegenstände auf das unterste Regal.
6. Erlauben Sie nie Kindern, auf Schubladen, Türen oder Regale zu klettern oder zu knallen.

# Parts List(EN) / Teile Liste(DE)

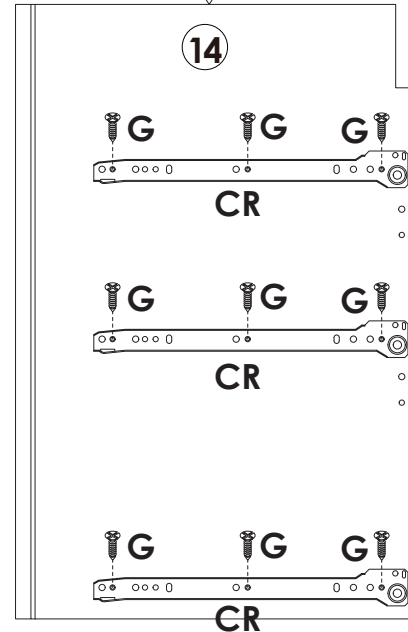
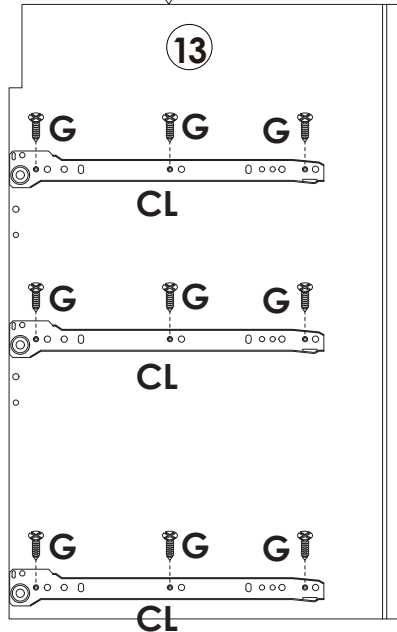
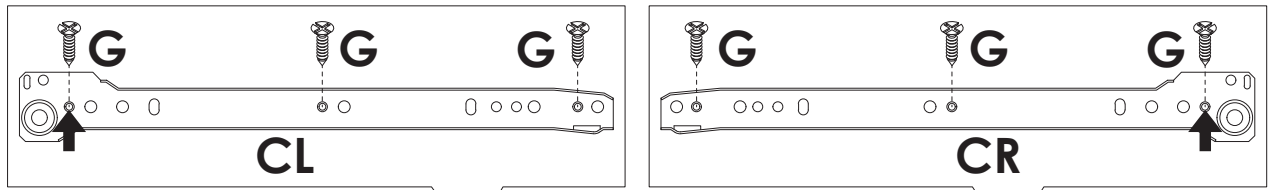


## Parts List(EN) / Teile Liste(DE)

<p><b>A</b></p>  <p>M6×33.5mm      85+2PCS</p>	<p><b>B</b></p>  <p>Ø15×9.5mm      85+2PCS</p>	<p><b>C</b></p>  <p>Ø6×30mm      64+2PCS</p>	
<p><b>D</b></p>  <p>Ø6×40mm      12+1PCS</p>	<p><b>E</b></p>  <p>M4×50mm      6+1PCS</p>	<p><b>F</b></p>  <p>M4×35mm      14+1PCS</p>	<p><b>G</b></p>  <p>M3×12mm      86+2PCS</p>
<p><b>H</b></p>  <p>28+2PCS</p>	<p><b>I</b></p>  <p>M3×16mm      28+2PCS</p>	<p><b>J</b></p>  <p>M4×14mm      2PCS</p>	<p><b>K</b></p>  <p>2PCS</p>
<p><b>L</b></p>  <p>4PCS</p>	<p><b>M</b></p>  <p>2PCS</p>	<p><b>N</b></p>  <p>Ø8×38mm      2PCS</p>	<p><b>O</b></p>  <p>2PCS</p>
<p><b>P</b></p>  <p>1PC</p>	<p><b>Q</b></p>  <p>1SET</p>	<p><b>R</b></p>  <p>9+1PCS</p>	<p><b>S</b></p>  <p>M5×30mm      8+1PCS</p>
<p><b>CL</b></p>  <p>L300mm      3PCS</p>	<p><b>CR</b></p>  <p>L300mm      3PCS</p>	<p><b>DL</b></p>  <p>L300mm      3PCS</p>	<p><b>DR</b></p>  <p>L300mm      3PCS</p>

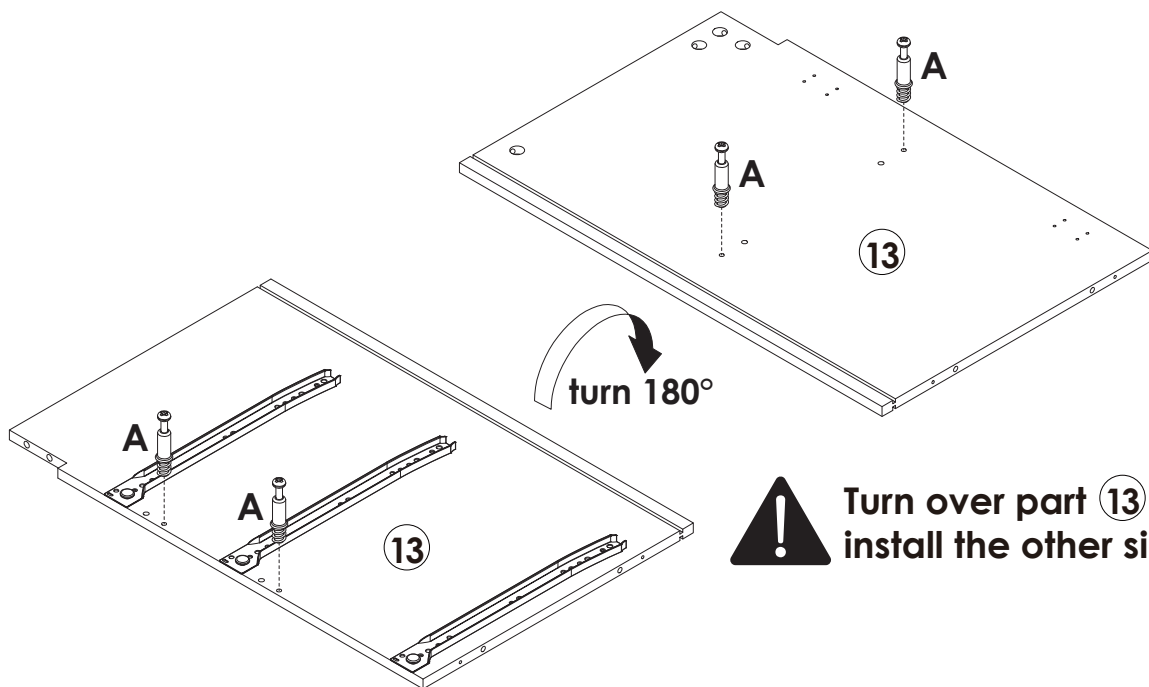
# Assembly Steps(EN) / Montageschritte(DE)

## STEP 1



	<b>G x 18PCS</b>
	<b>CL x 3PCS</b>
	<b>CR x 3PCS</b>

## STEP 2

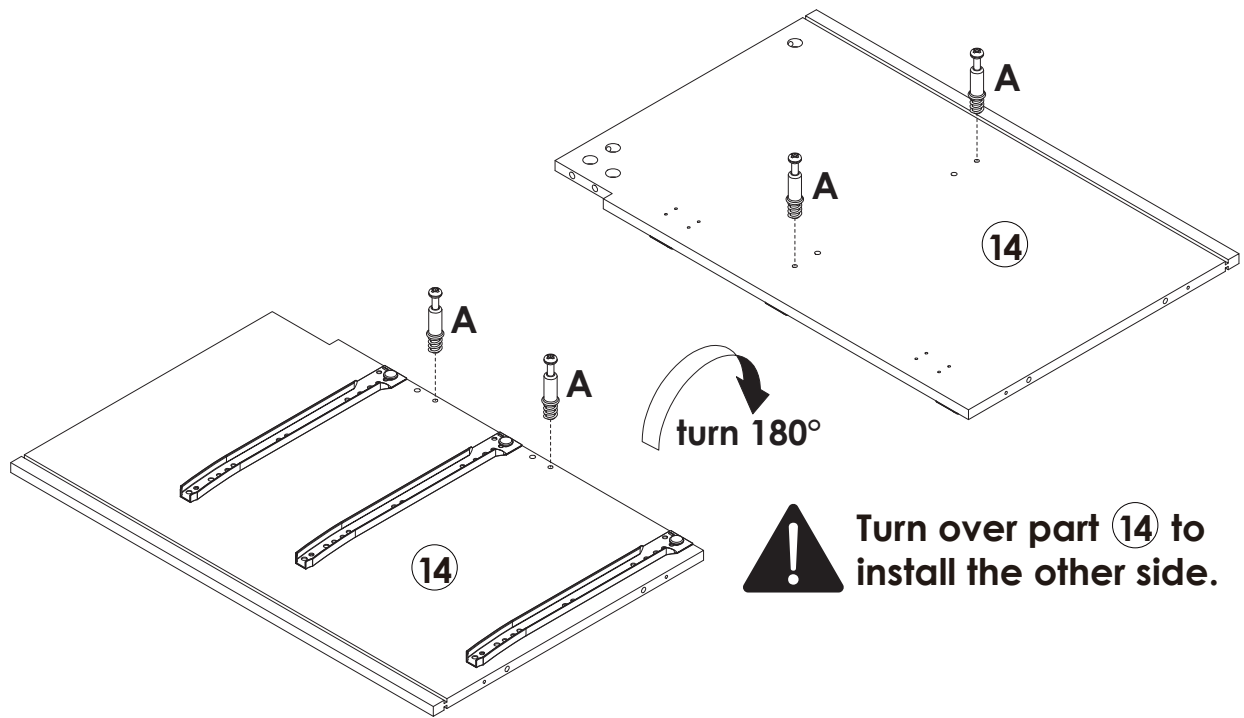


**Turn over part 13 to install the other side.**

	<b>A x 4PCS</b>
--	-----------------

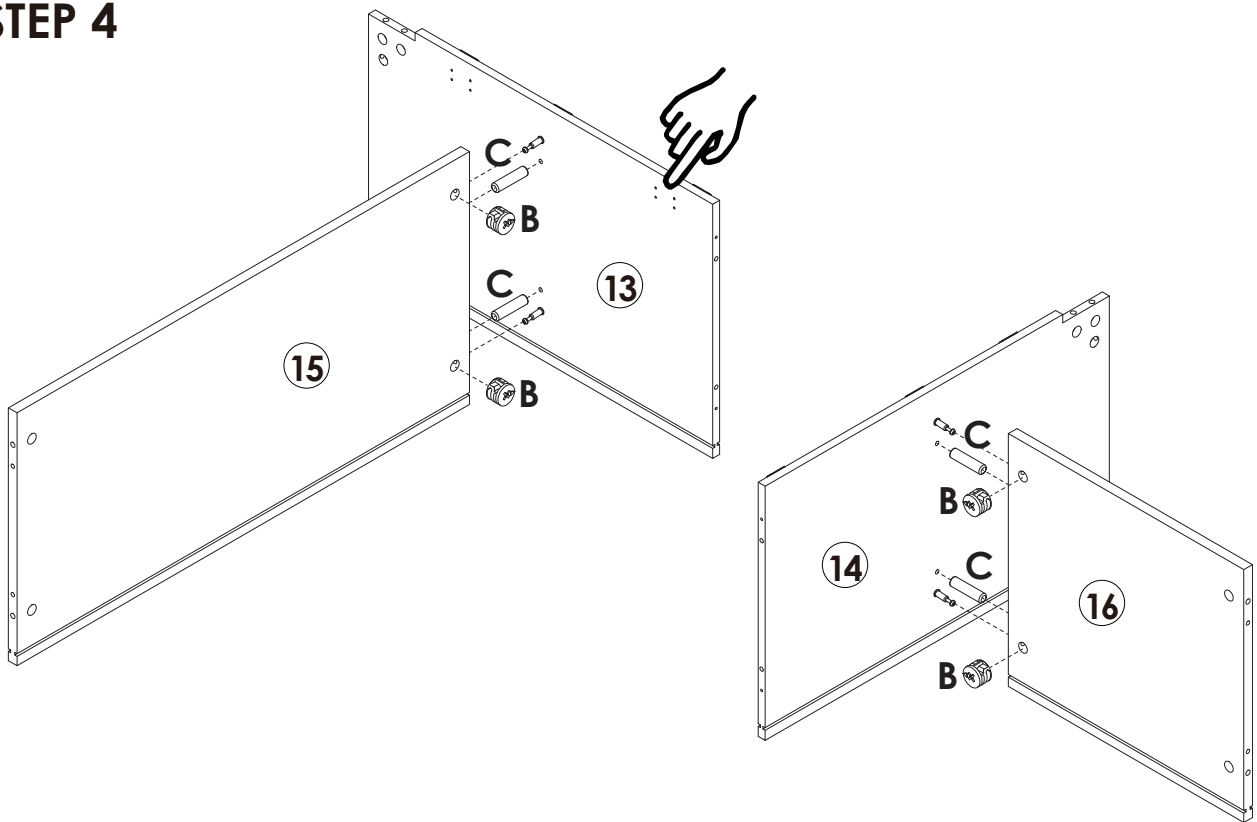
# Assembly Steps(EN) / Montageschritte(DE)


## STEP 3

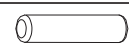


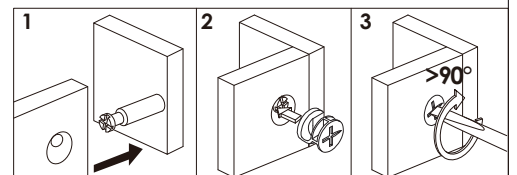
 A x 4PCS

## STEP 4



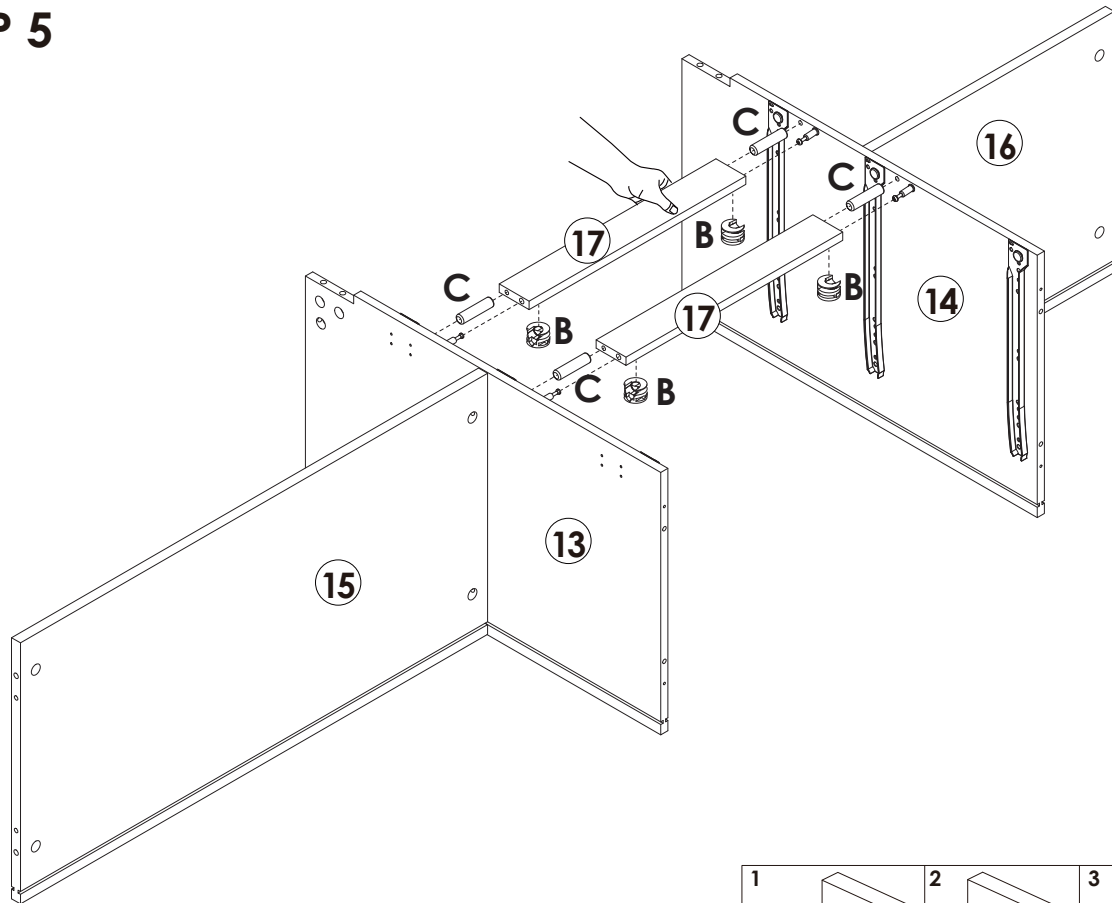
 B x 4PCS



 C x 4PCS

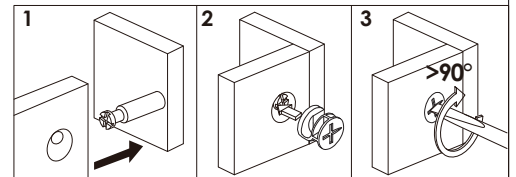


# Assembly Steps(EN) / Montageschritte(DE)

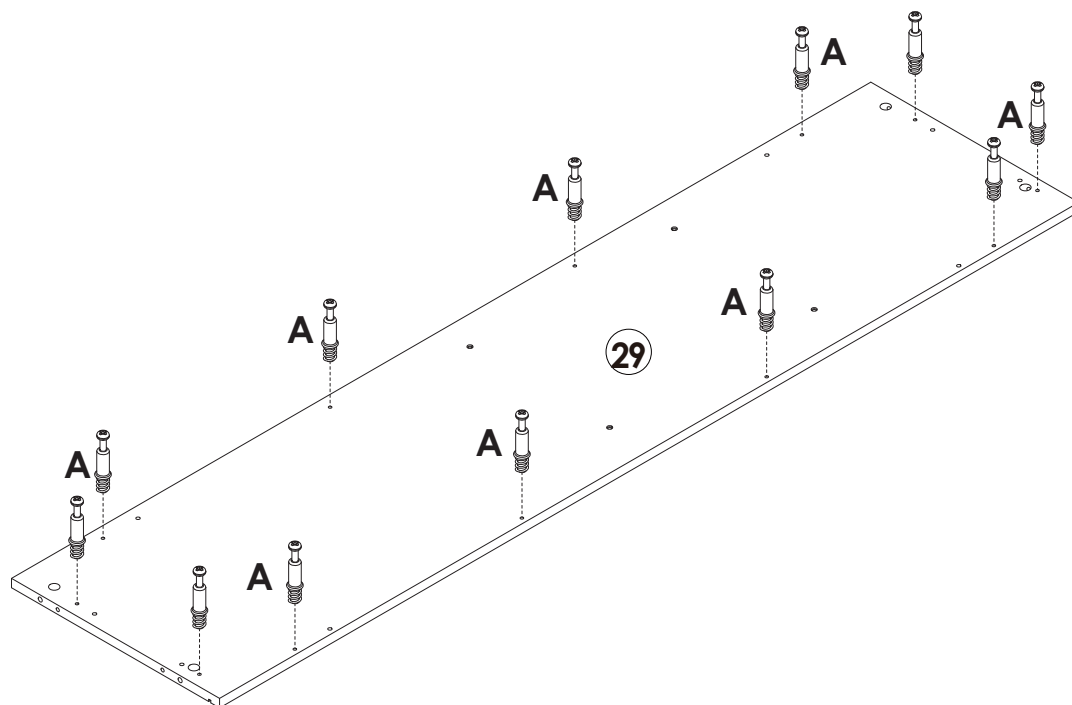
## STEP 5



	<b>B x 4PCS</b>
	<b>C x 4PCS</b>



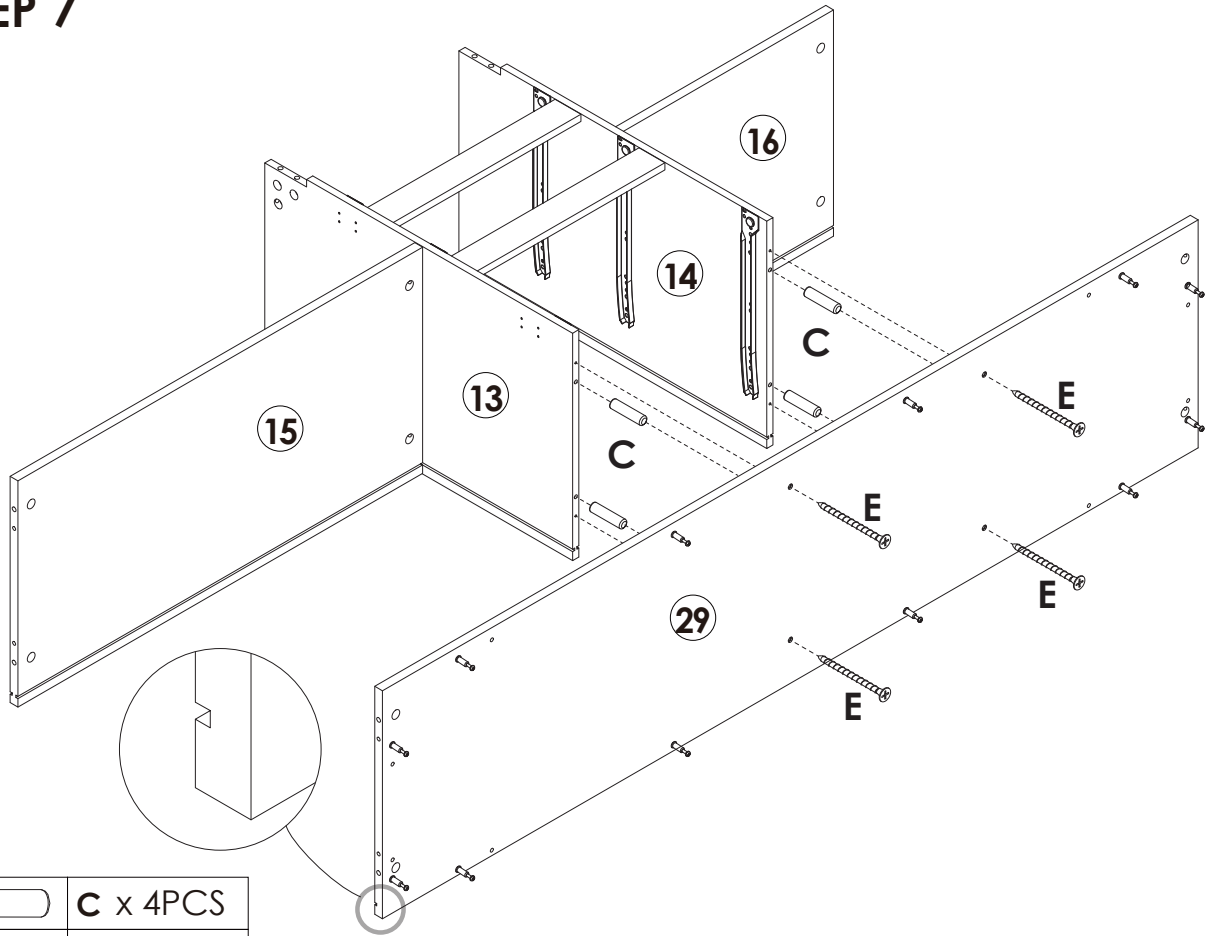
## STEP 6

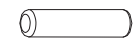
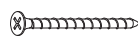


	<b>A x 12PCS</b>
---	------------------

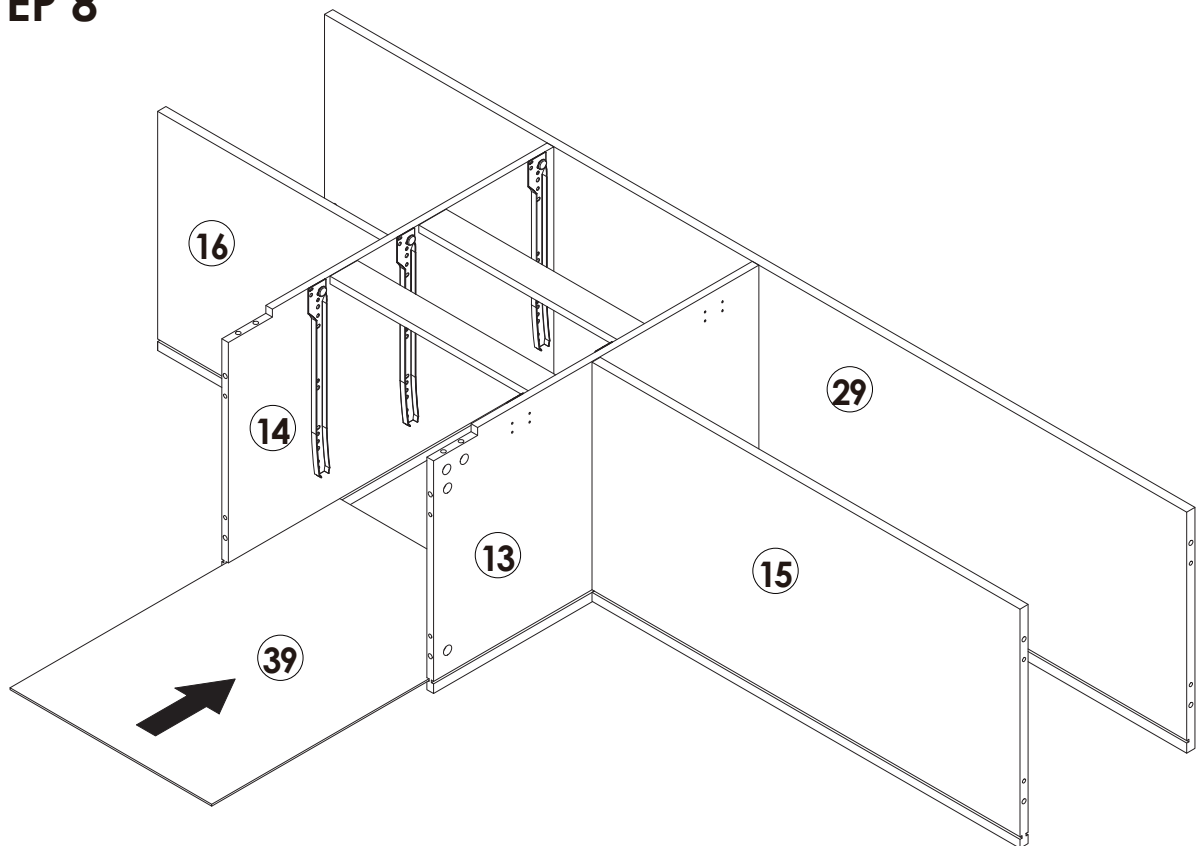
# Assembly Steps(EN) / Montageschritte(DE)

## STEP 7



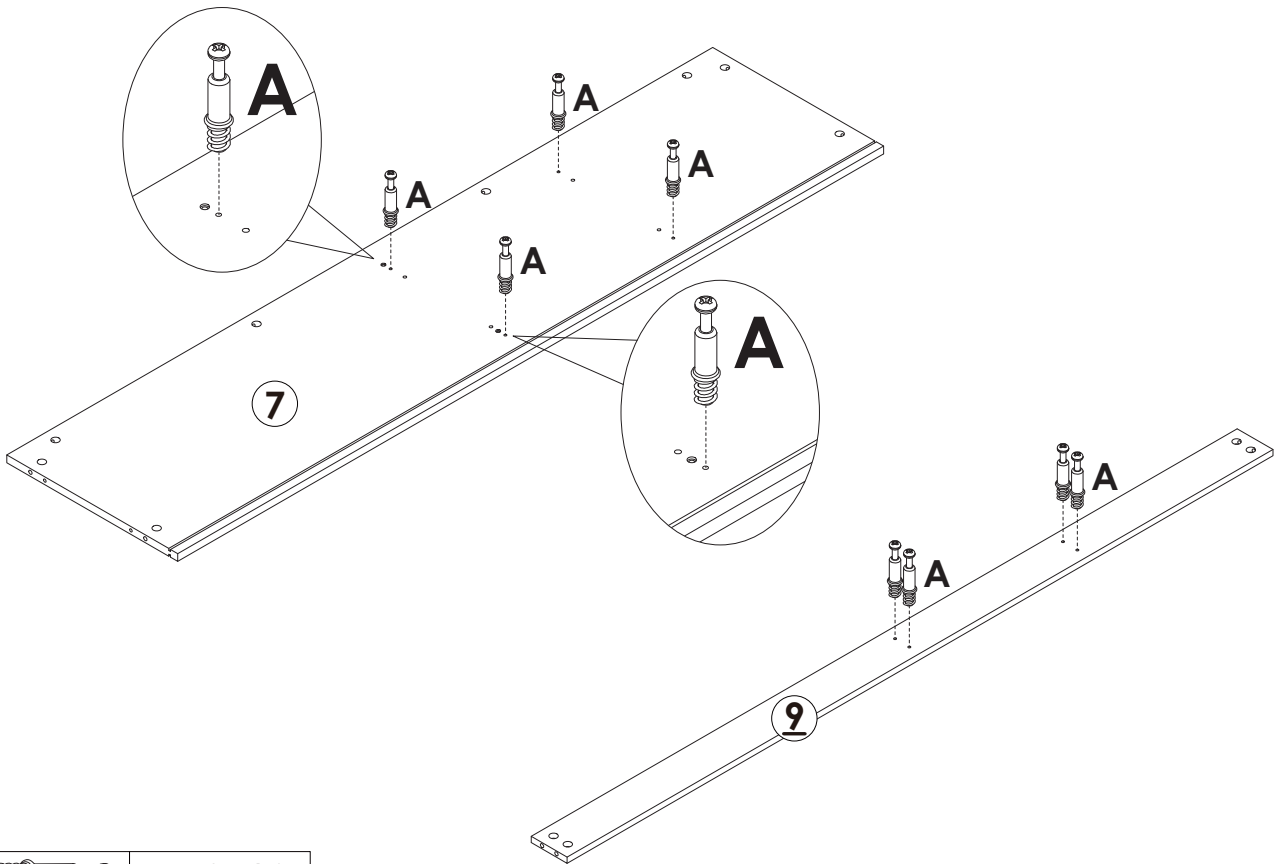
	C x 4PCS
	E x 4PCS

## STEP 8



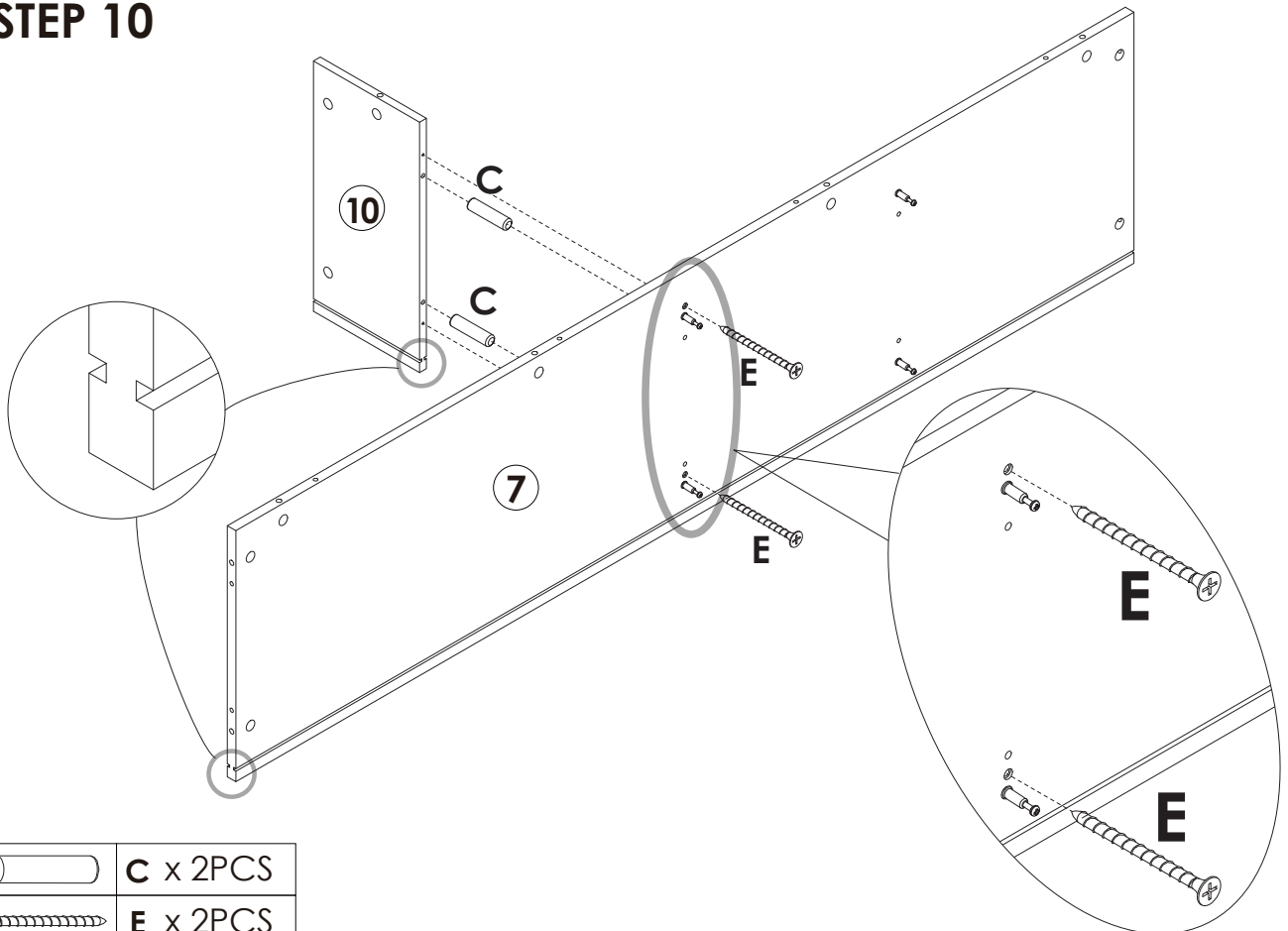
# Assembly Steps(EN) / Montageschritte(DE)


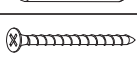
## STEP 9



	<b>A x 8PCS</b>
---	-----------------

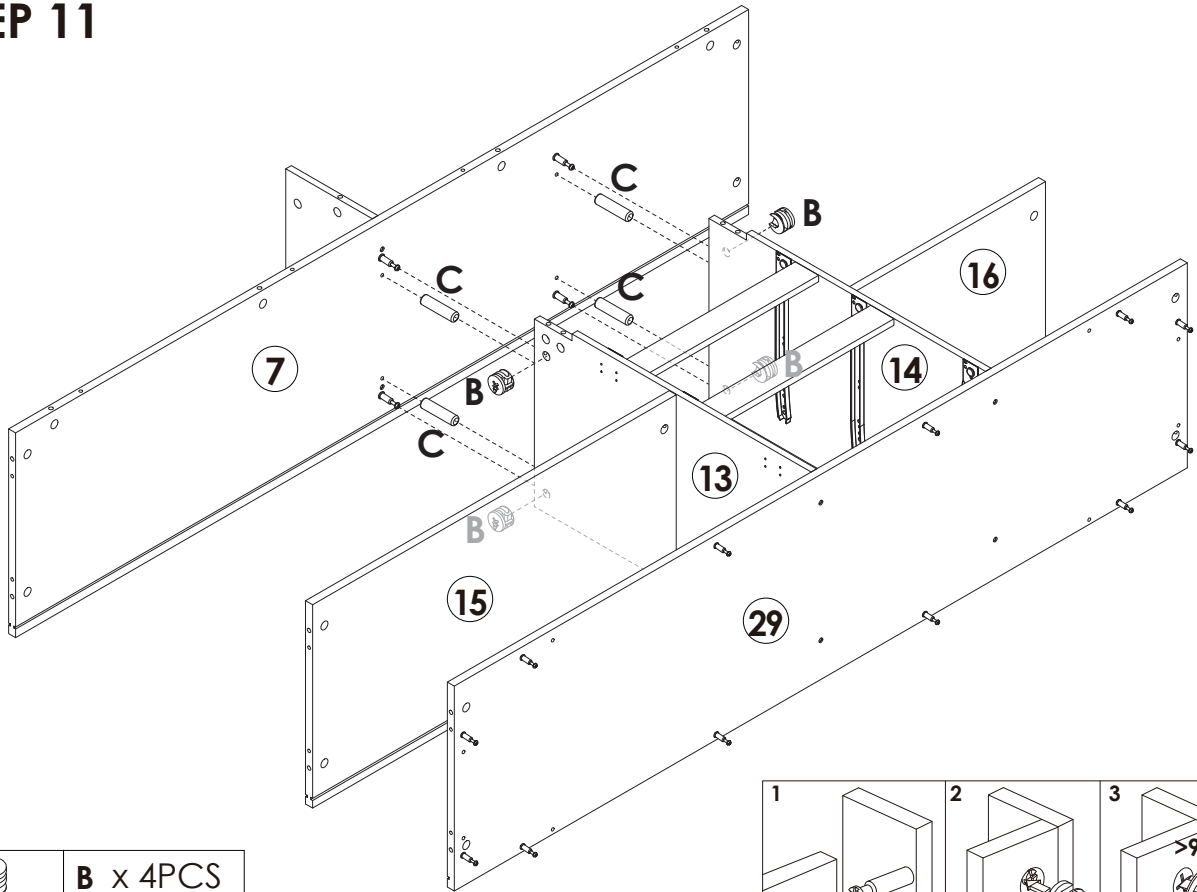
## STEP 10





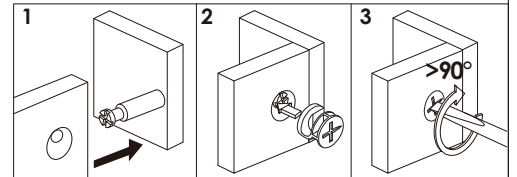
	<b>C x 2PCS</b>
	<b>E x 2PCS</b>

# Assembly Steps(EN) / Montageschritte(DE)

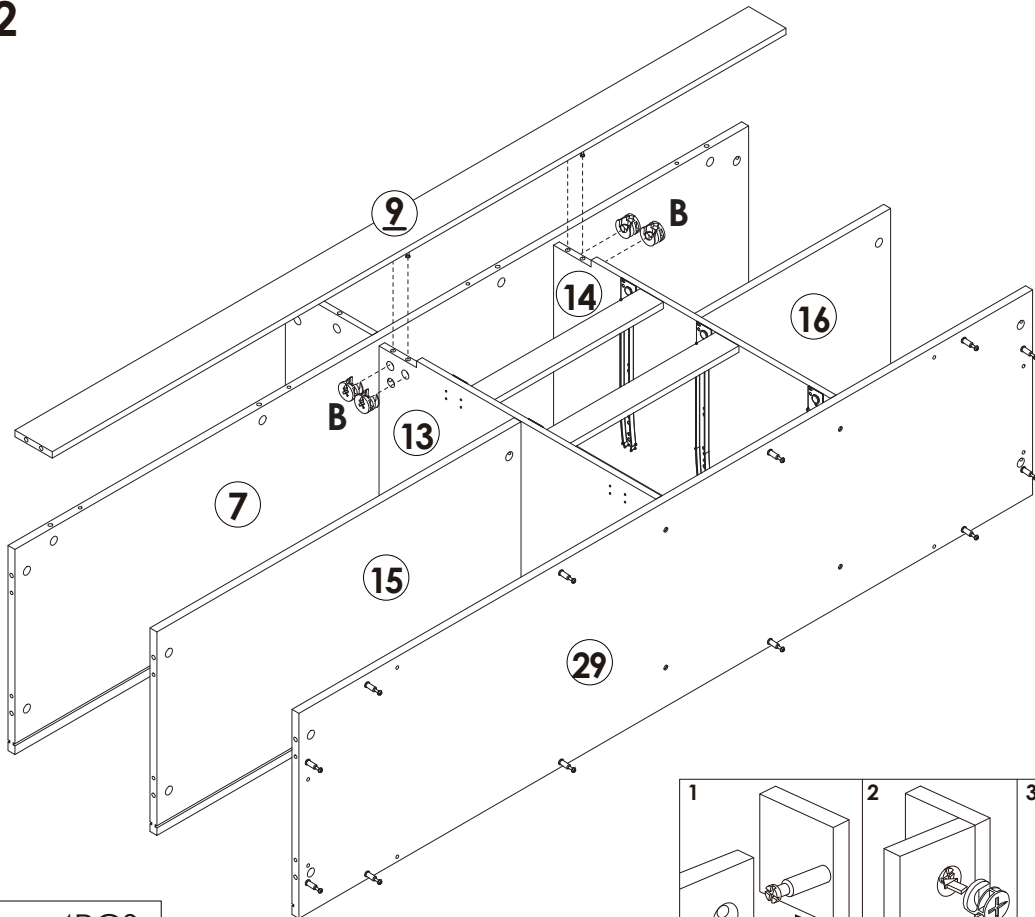
## STEP 11




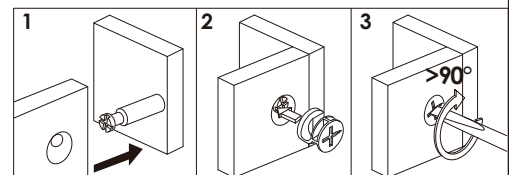
	<b>B x 4PCS</b>
	<b>C x 4PCS</b>



## STEP 12

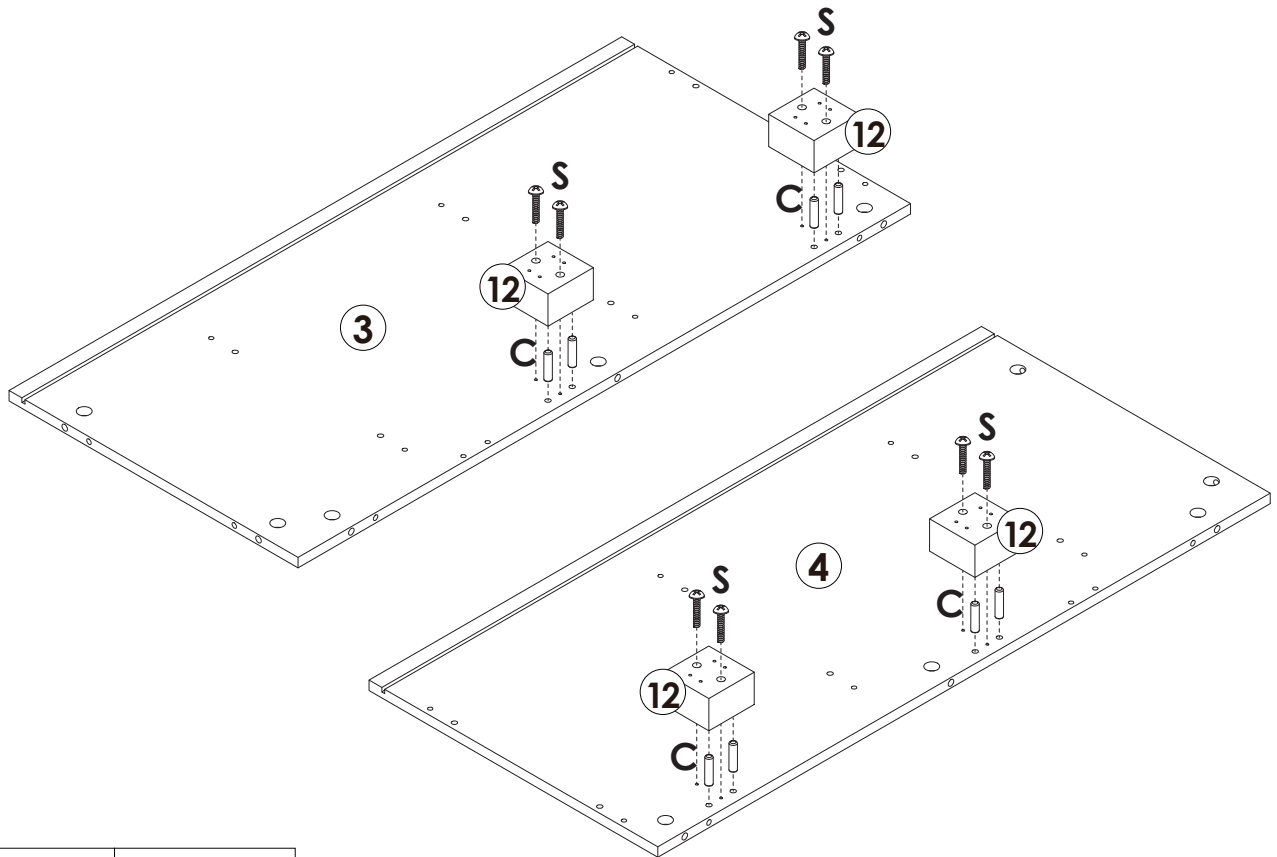


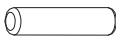

	<b>B x 4PCS</b>
---	-----------------



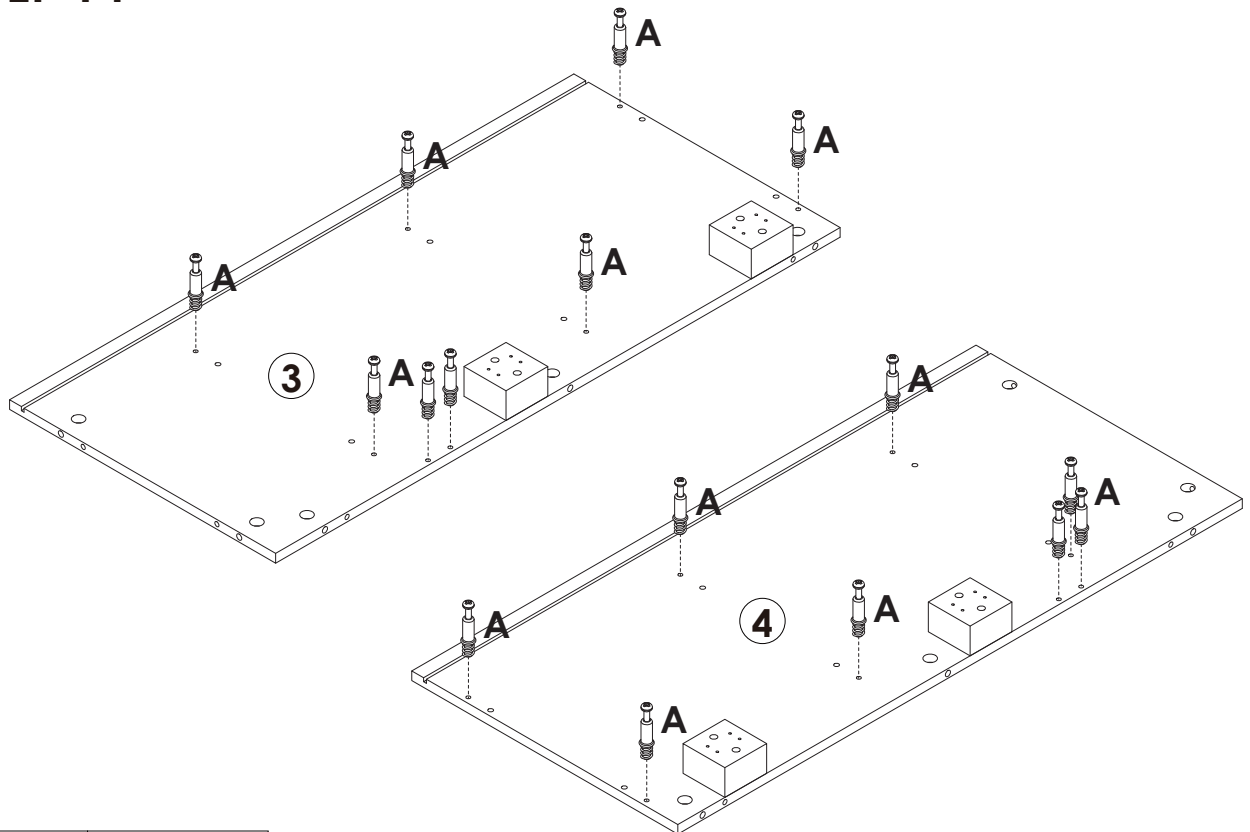
# Assembly Steps(EN) / Montageschritte(DE)

## STEP 13



	<b>C</b> x 8PCS
	<b>S</b> x 8PCS

## STEP 14



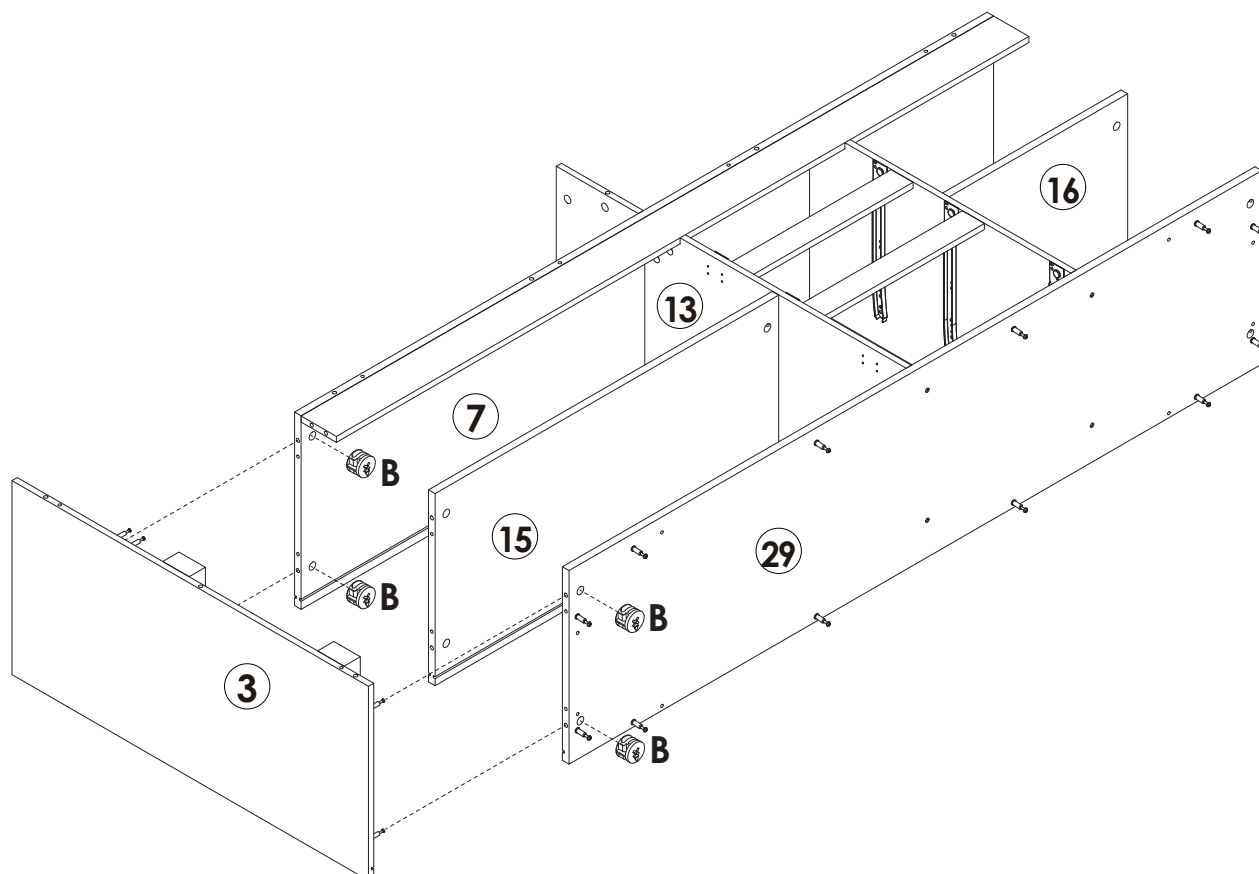
	<b>A</b> x 16PCS
---	------------------

## Assembly Steps(EN) / Montageschritte(DE)

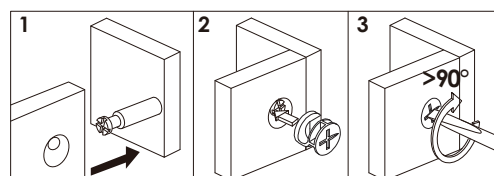
### STEP 15



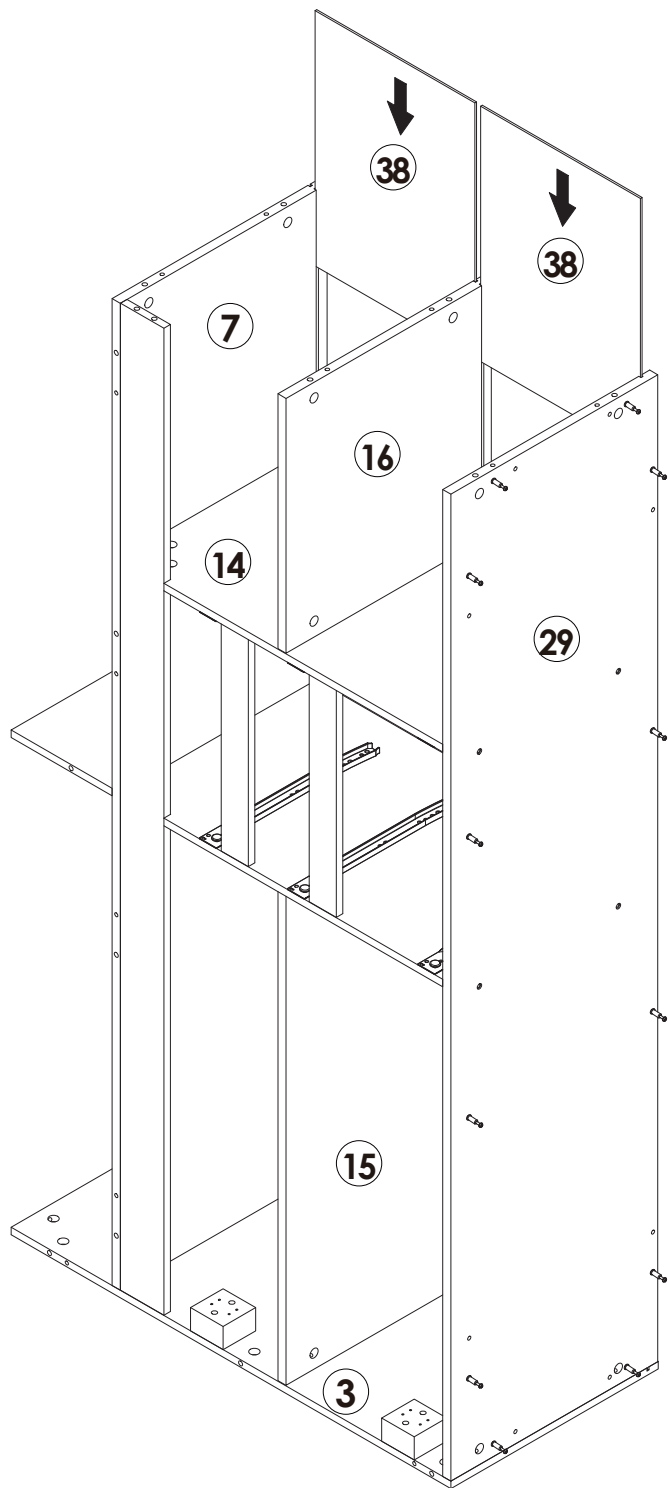
To easily assemble the right side cabinet, please install plate 3 and tighten the 4 accessories "B" before proceeding to the next step (in step 18, plate 3 will be loosened again to assemble the left side cabinet)



**B** x 4PCS

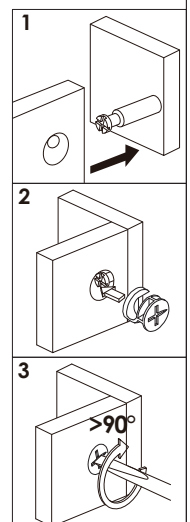
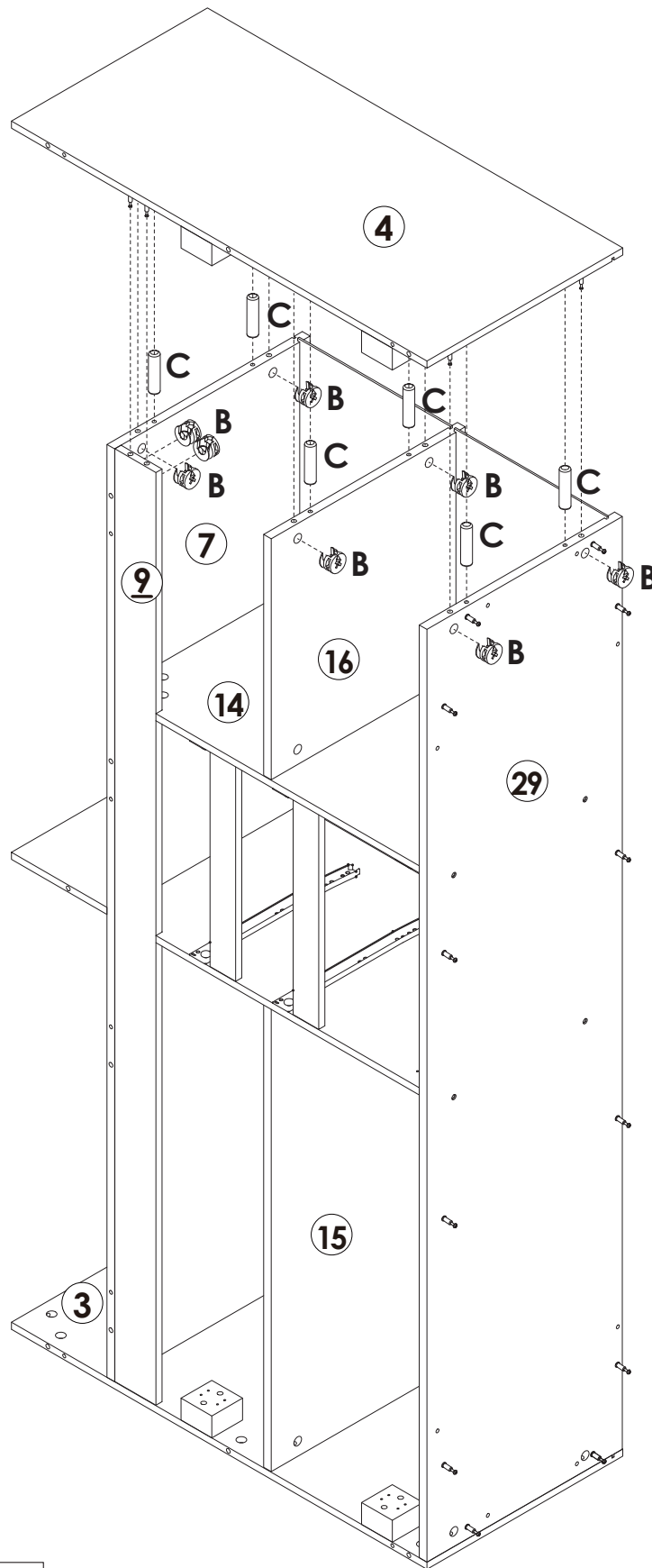




STEP 16



# Assembly Steps(EN) / Montageschritte(DE)

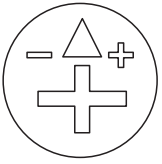
## STEP 17



	<b>B</b> x 8PCS
	<b>C</b> x 6PCS

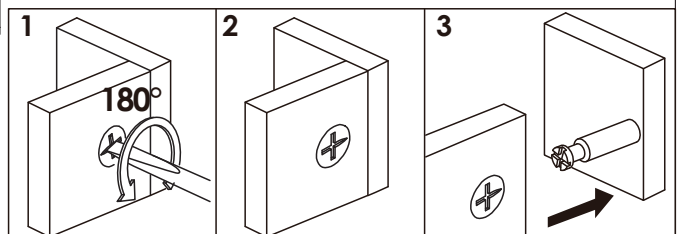
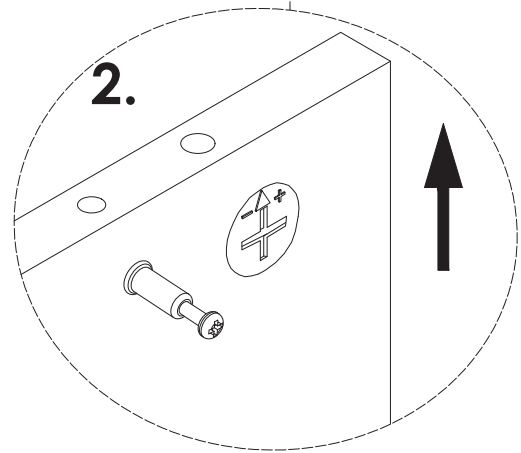
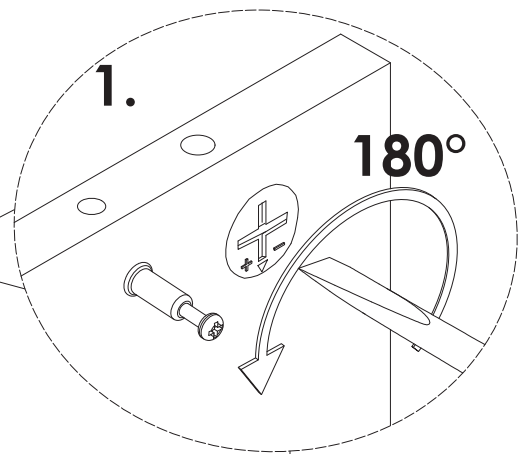
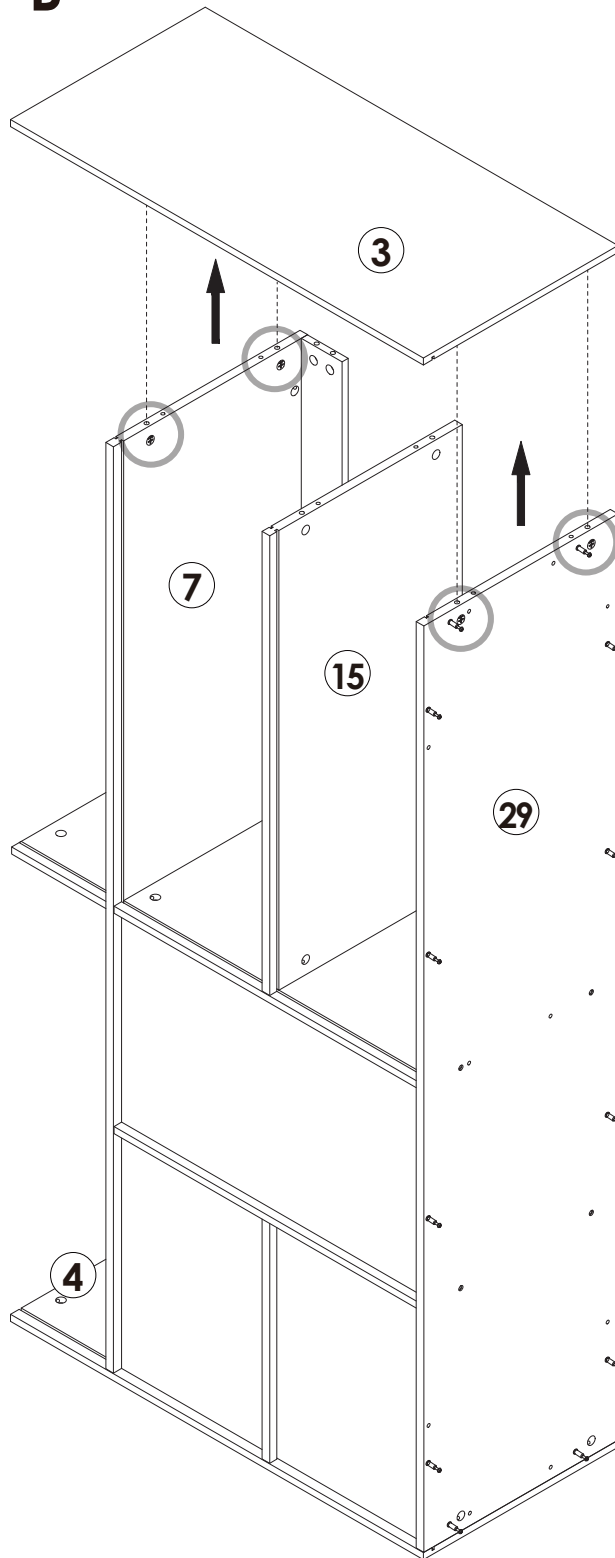
# Assembly Steps(EN) / Montageschritte(DE)

## STEP 18



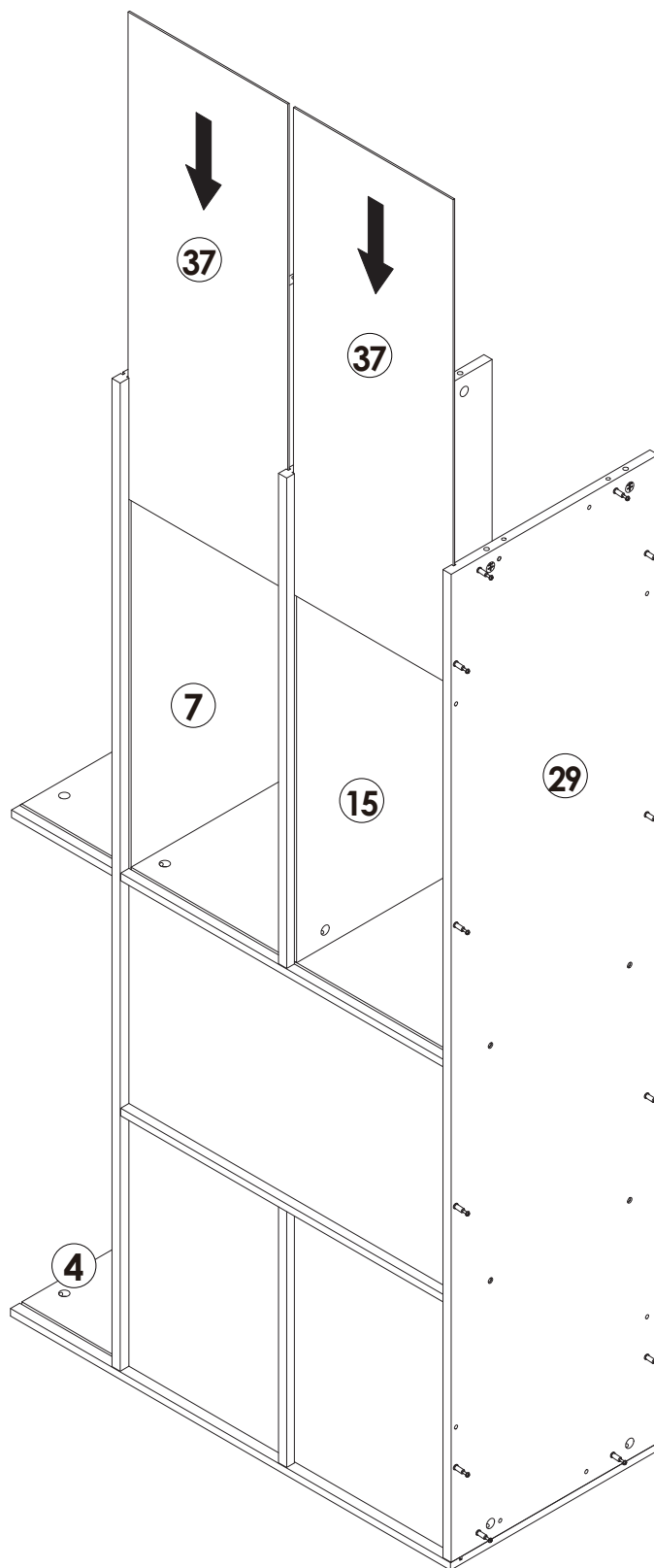
**B**

**Note:** Rotate the triangle icons on the 4 accessories "B" to face upwards before releasing the No.3 plate.



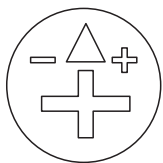
# Assembly Steps(EN) / Montageschritte(DE)

## STEP 19



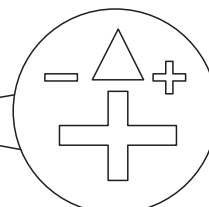
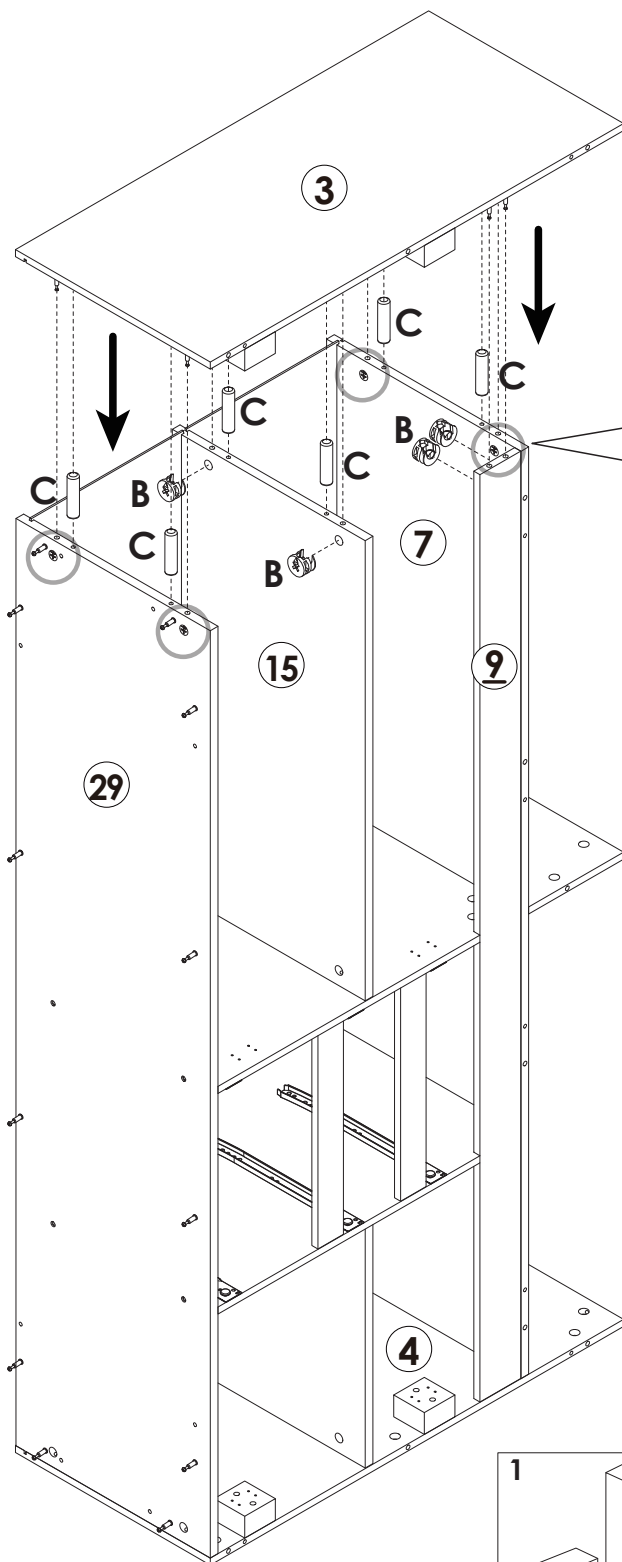
## Assembly Steps(EN) / Montageschritte(DE)

### STEP 20



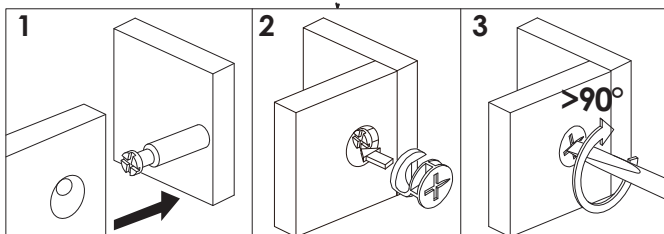
**B**



**Note:** If the screws "A" on plate #3 do not fully align with the holes and cannot be pushed down, please check whether the triangular arrow of the "B" fittings on plates #7 and #29 is pointing upwards.



**B**

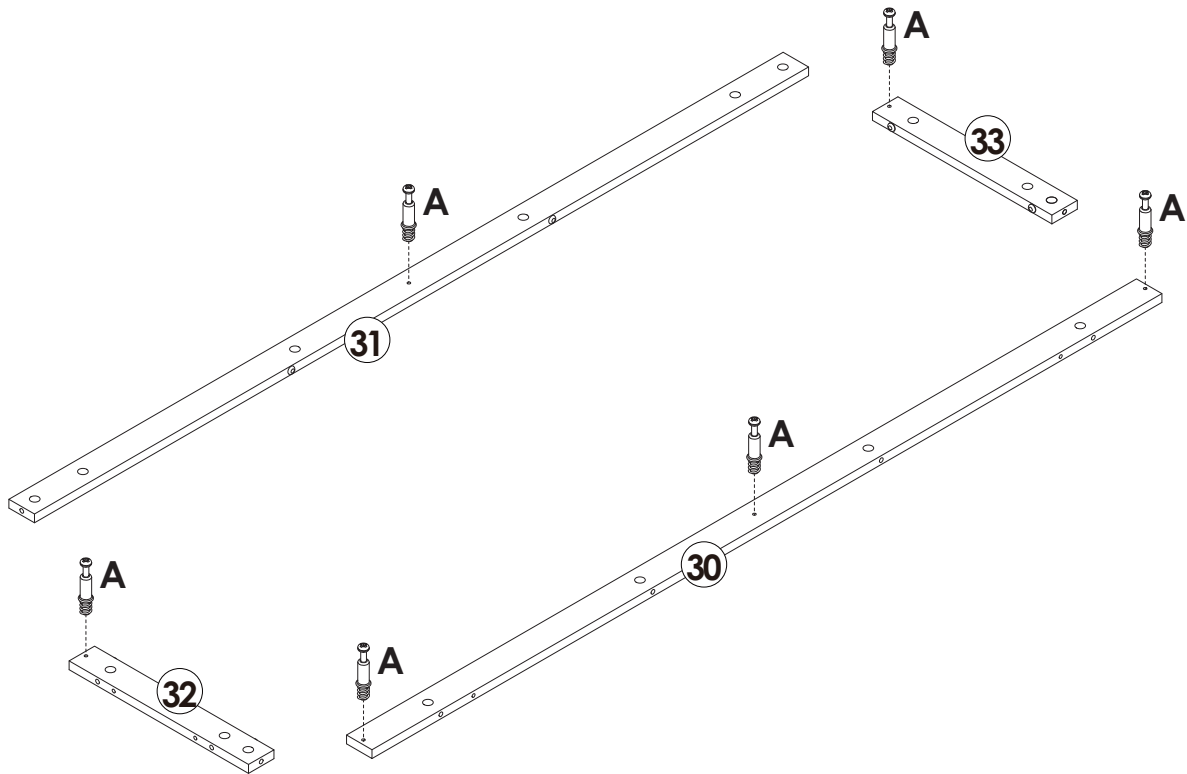
After aligning plate #3 with all the plate holes correctly, then tighten all the "B" fittings. Pay attention to the direction (see picture).



	<b>B</b> x 4PCS
	<b>C</b> x 6PCS

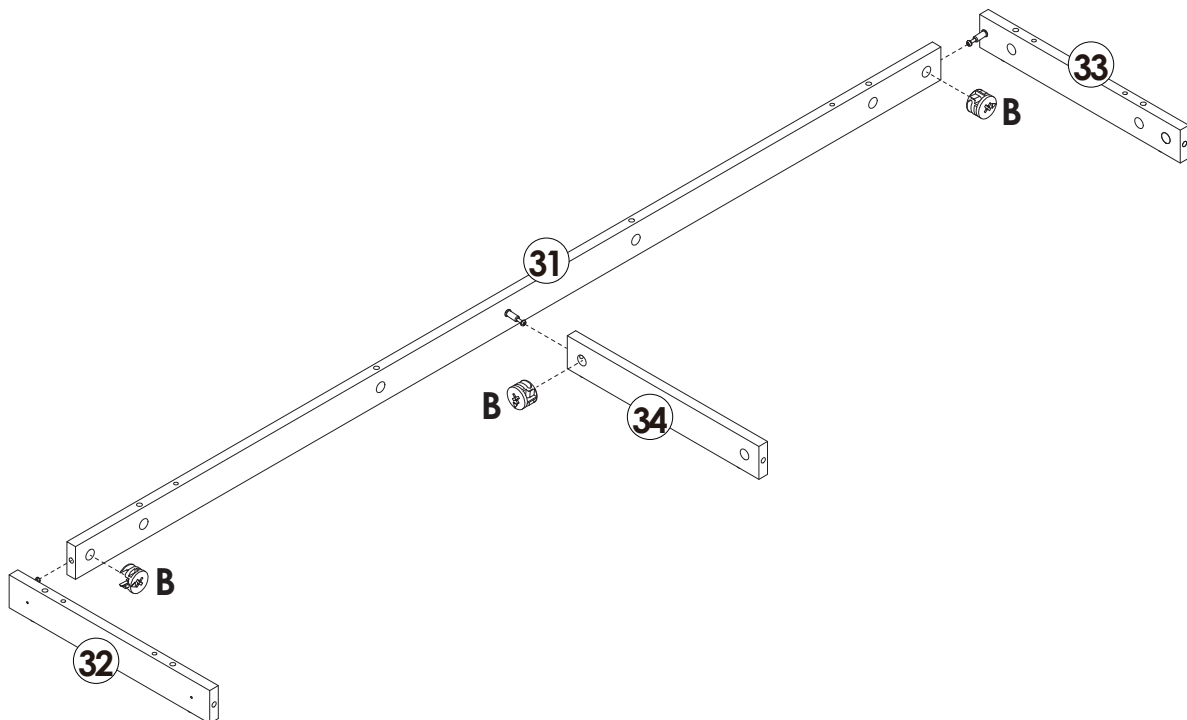
# Assembly Steps(EN) / Montageschritte(DE)


## STEP 21

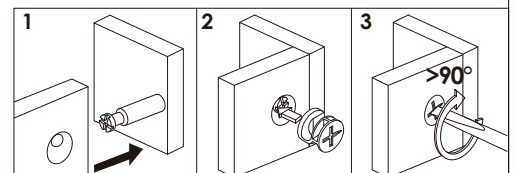


 A x 6PCS

## STEP 22

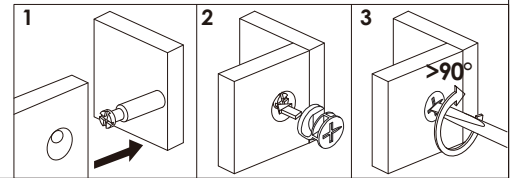
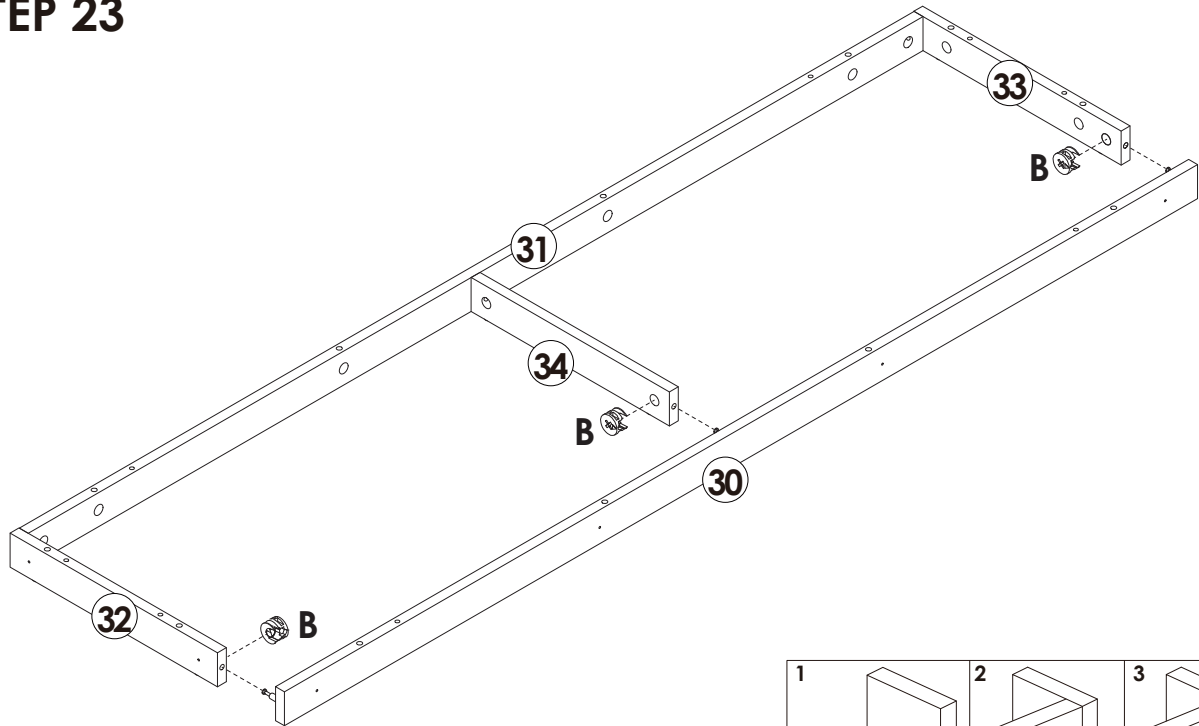


 B x 3PCS



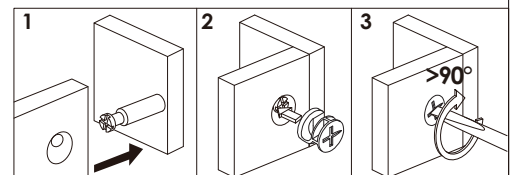
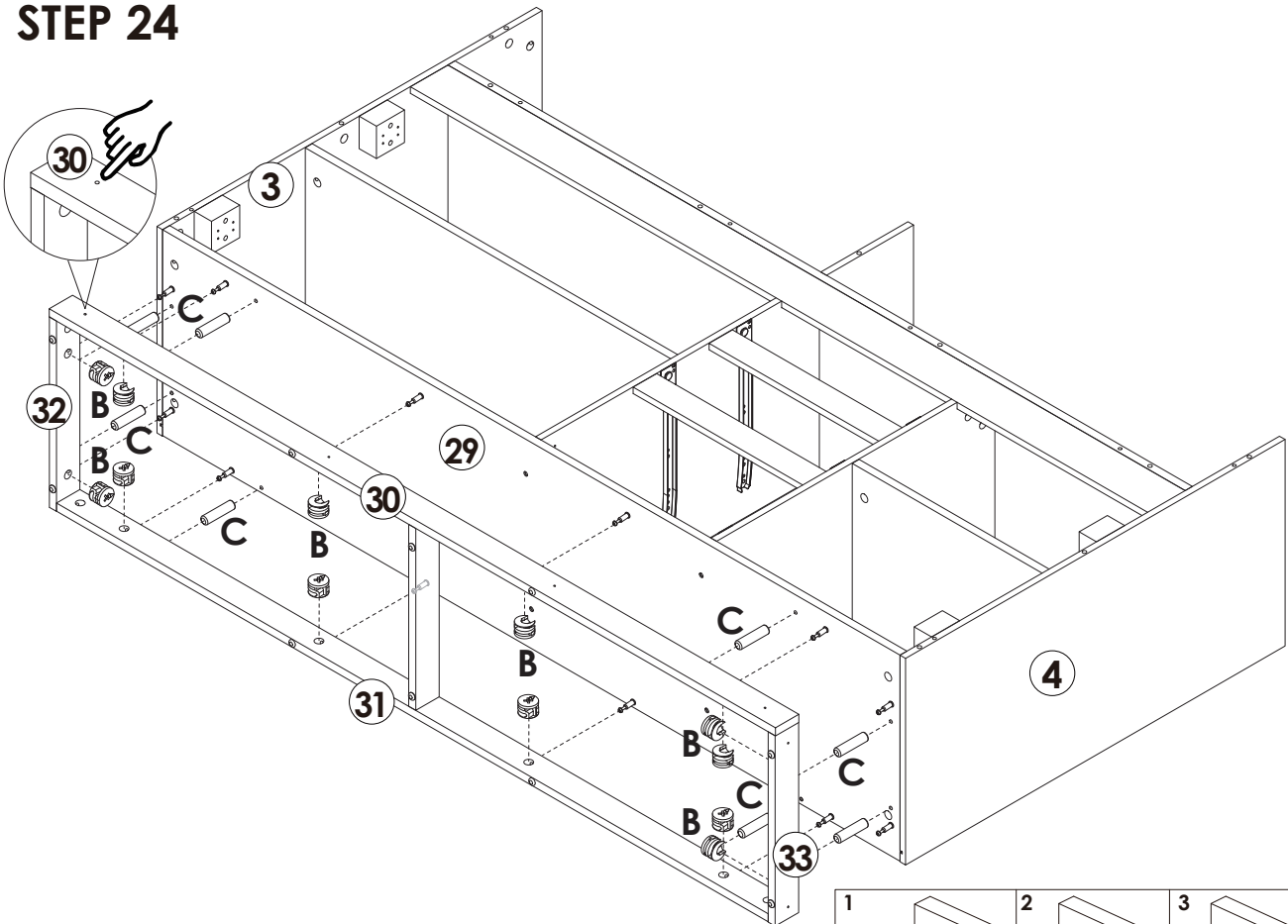
# Assembly Steps(EN) / Montageschritte(DE)

## STEP 23



**B** x 3PCS

## STEP 24



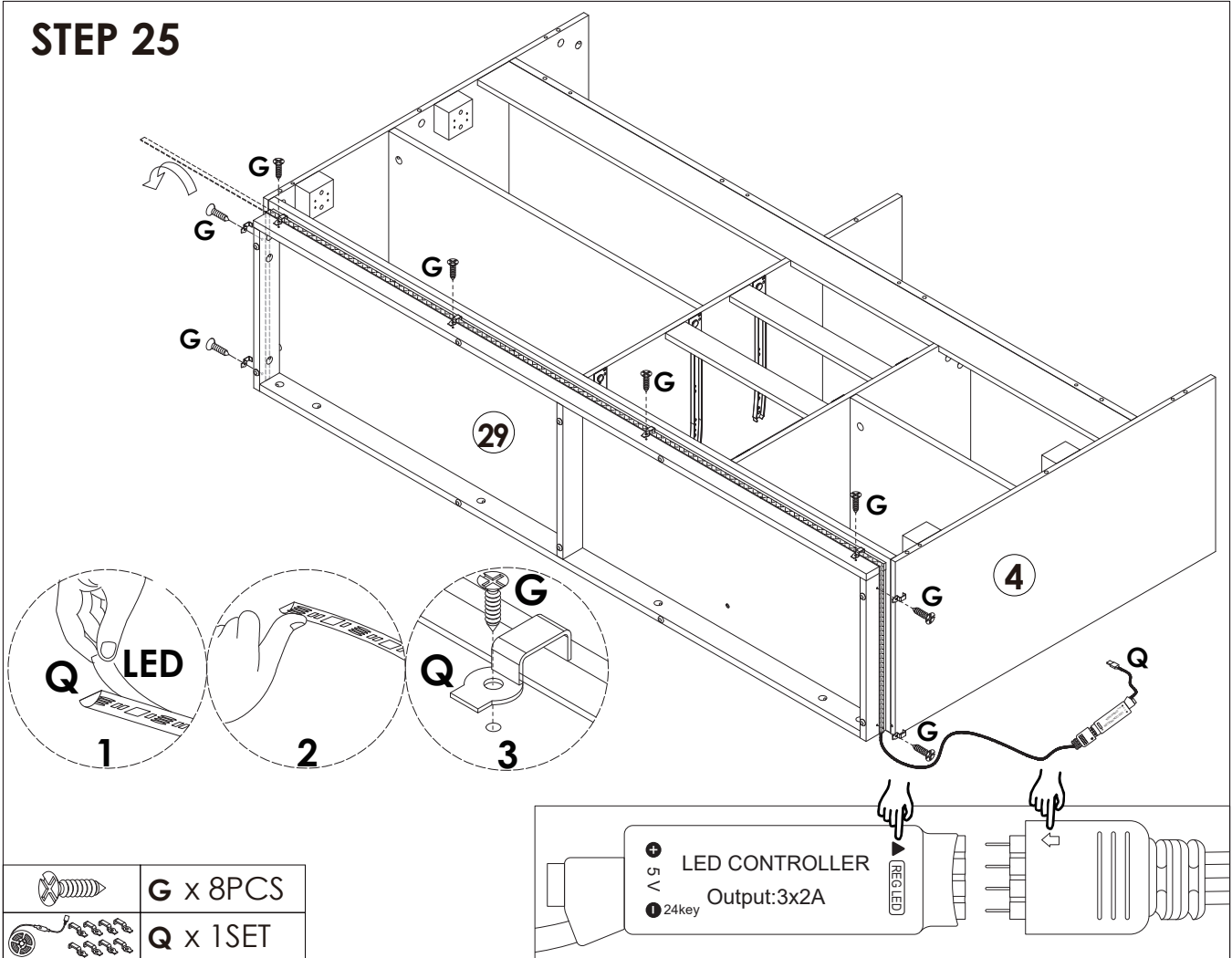
**B** x 12PCS



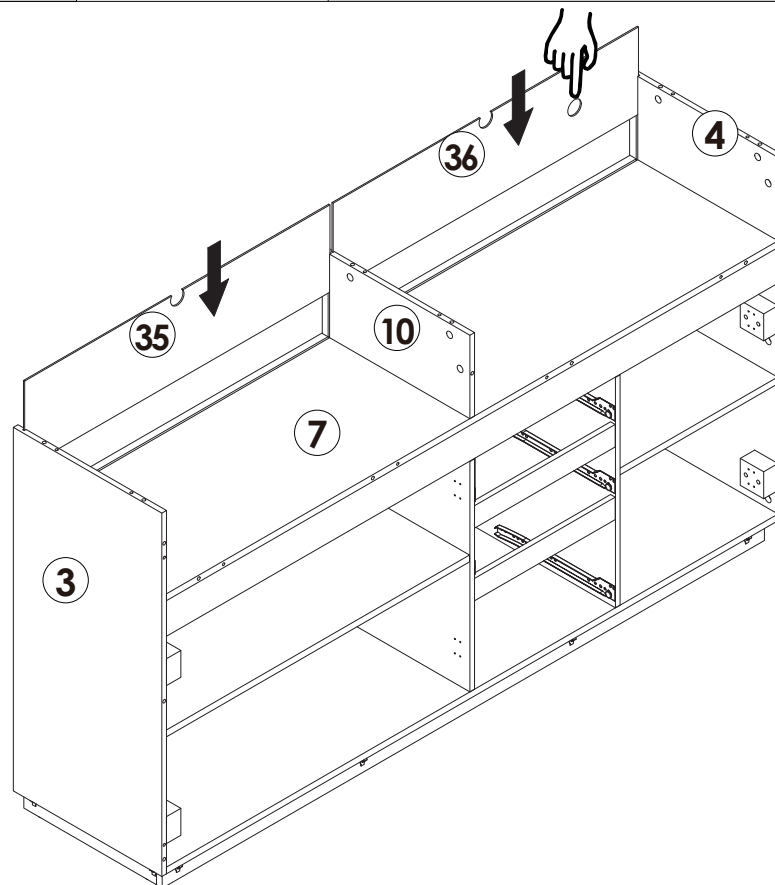
**C** x 8PCS

# Assembly Steps(EN) / Montageschritte(DE)

## STEP 25



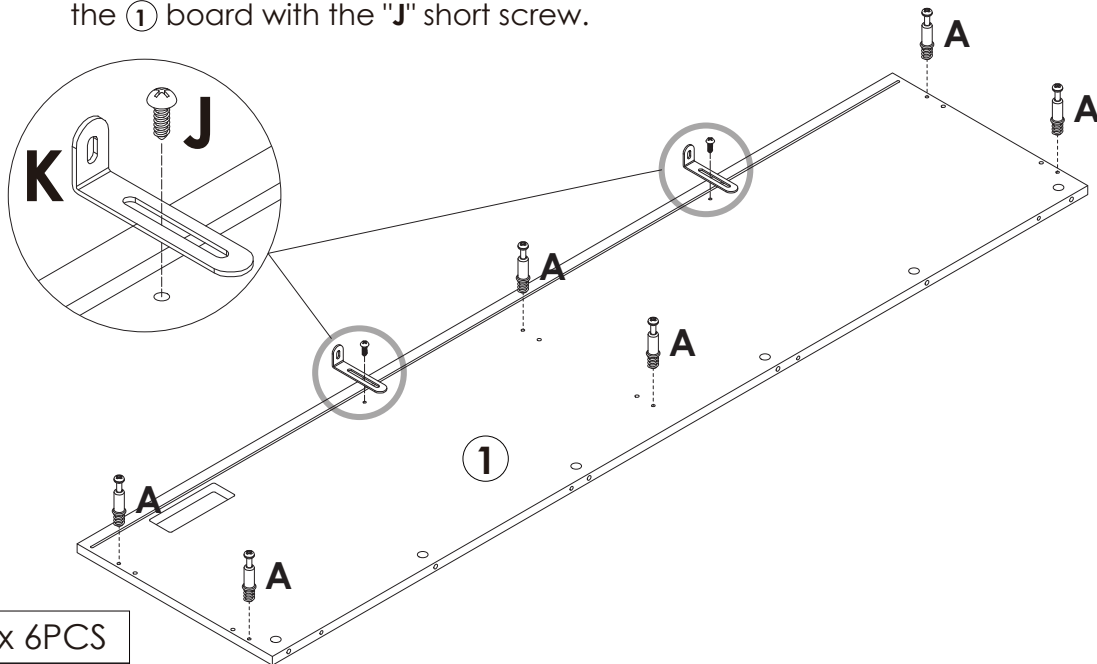
## STEP 26






## Assembly Steps(EN) / Montageschritte(DE)

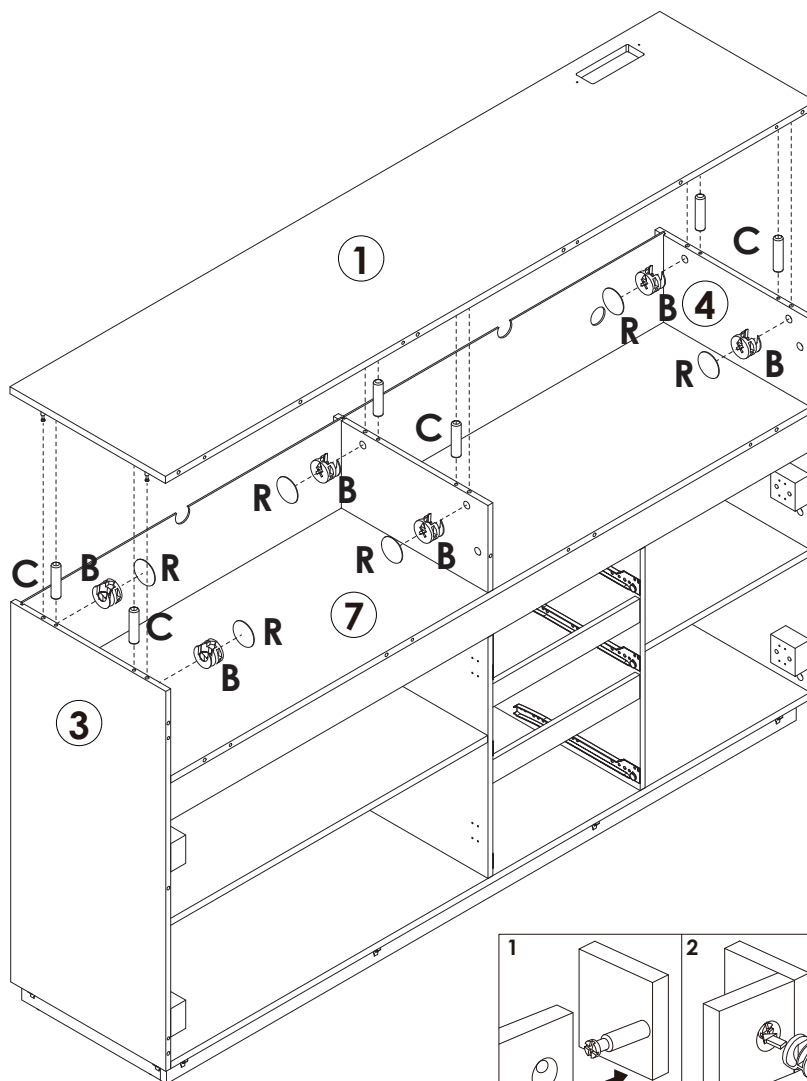
### STEP 27




Lock the long side of the "K" L-shaped metal plate to the ① board with the "J" short screw.

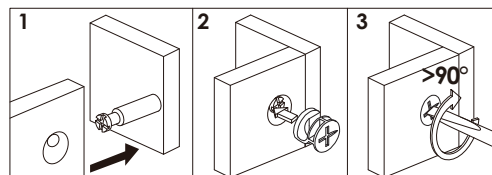


	A x 6PCS
	K x 2PCS
	J x 2PCS

### STEP 28

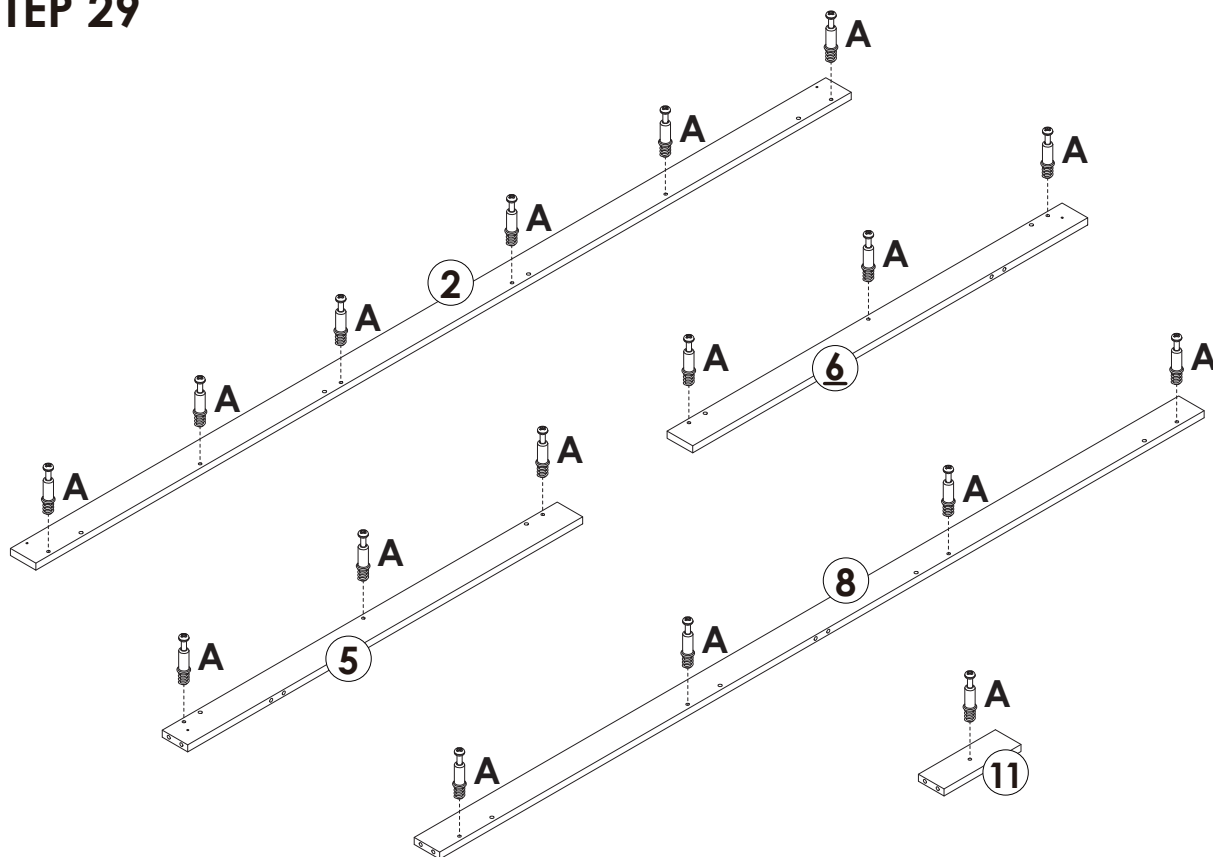


	B x 6PCS
	C x 6PCS
	R x 6PCS



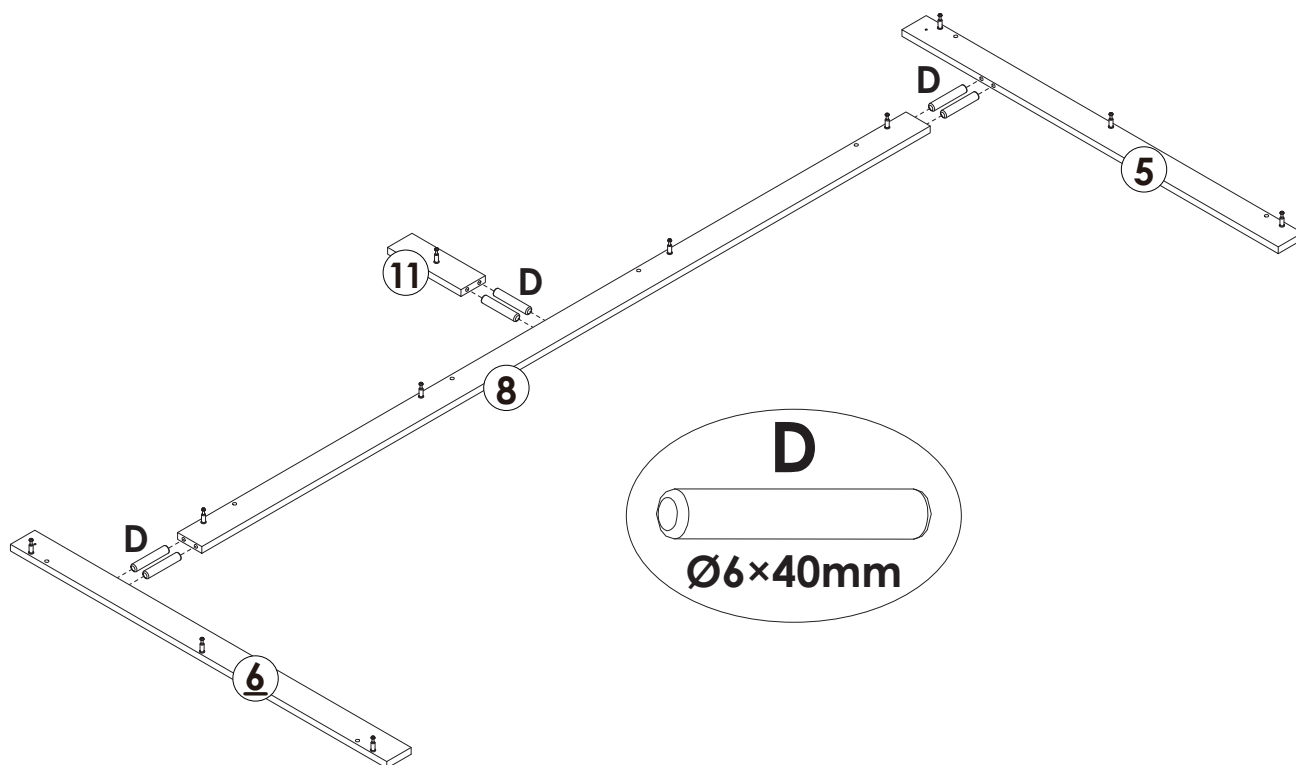
# Assembly Steps(EN) / Montageschritte(DE)

## STEP 29



 A x 17PCS

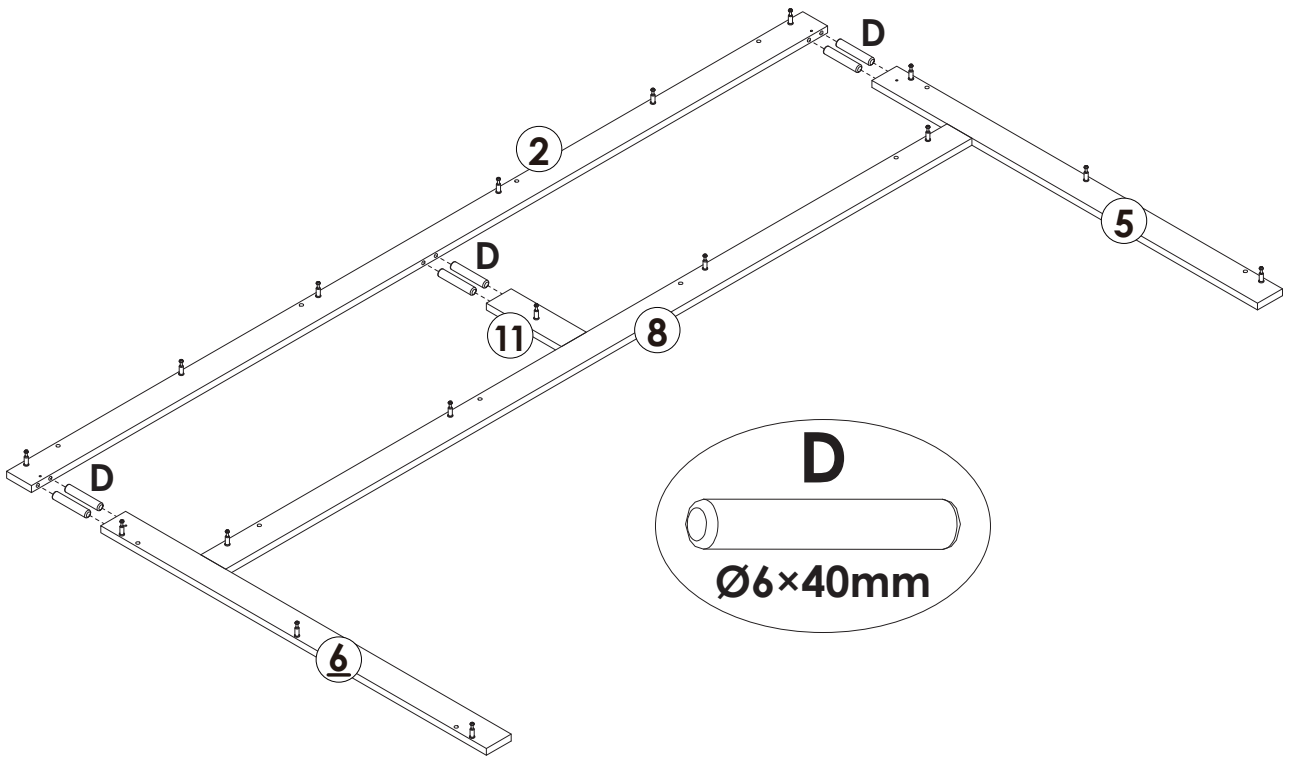
## STEP 30



 D x 6PCS

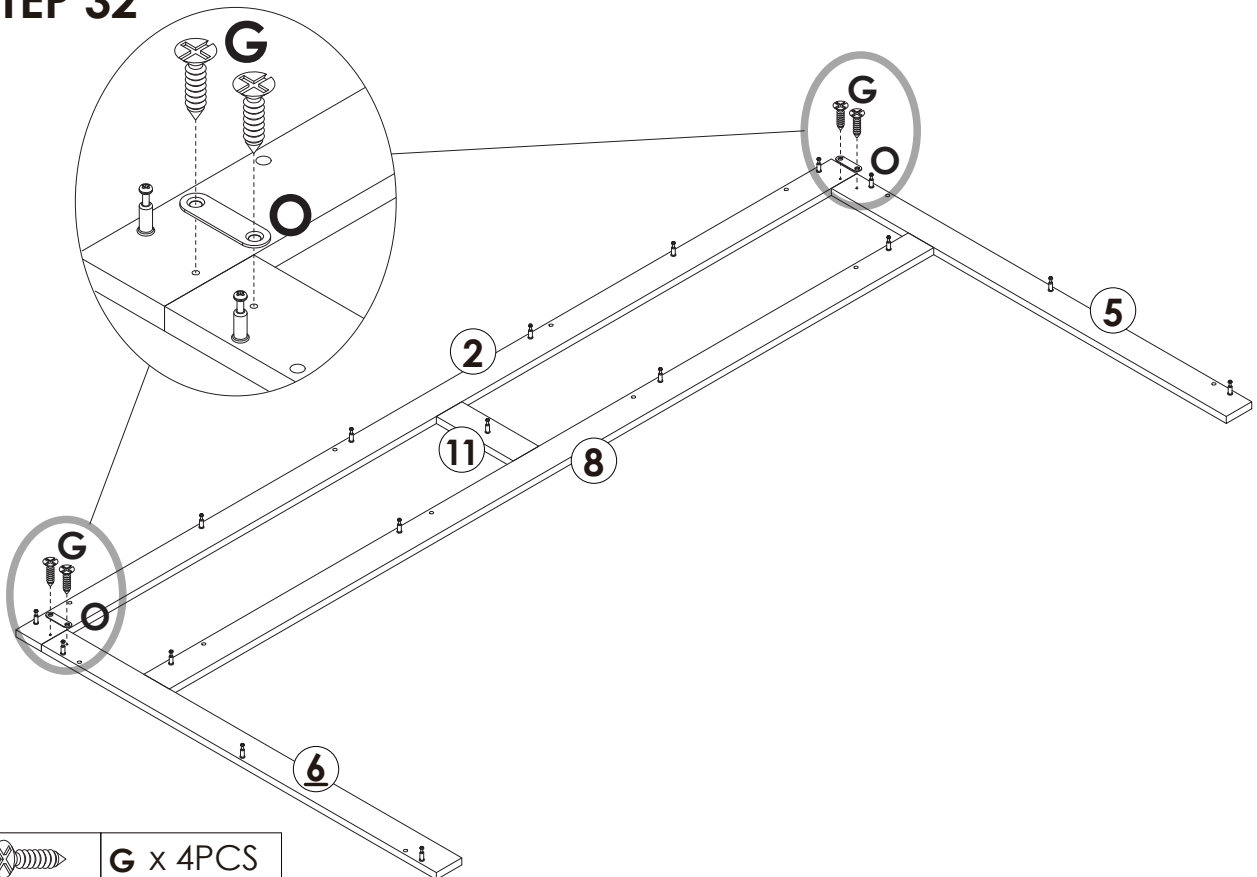
# Assembly Steps(EN) / Montageschritte(DE)

## STEP 31



 D x 6PCS

## STEP 32

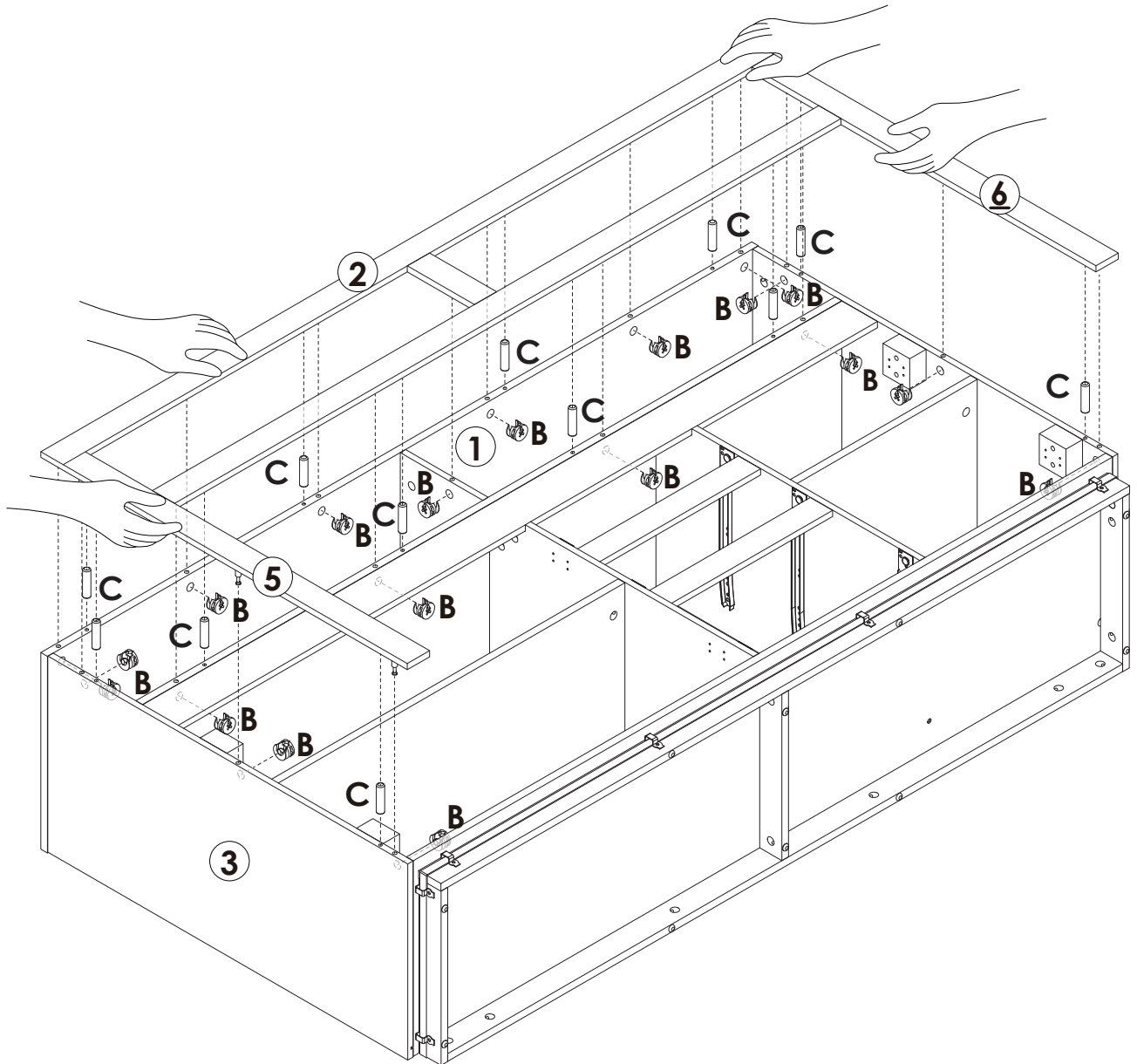




 G x 4PCS

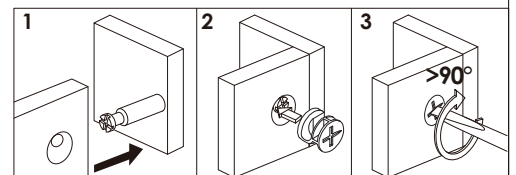
 O x 2PCS

# Assembly Steps(EN) / Montageschritte(DE)

## STEP 33

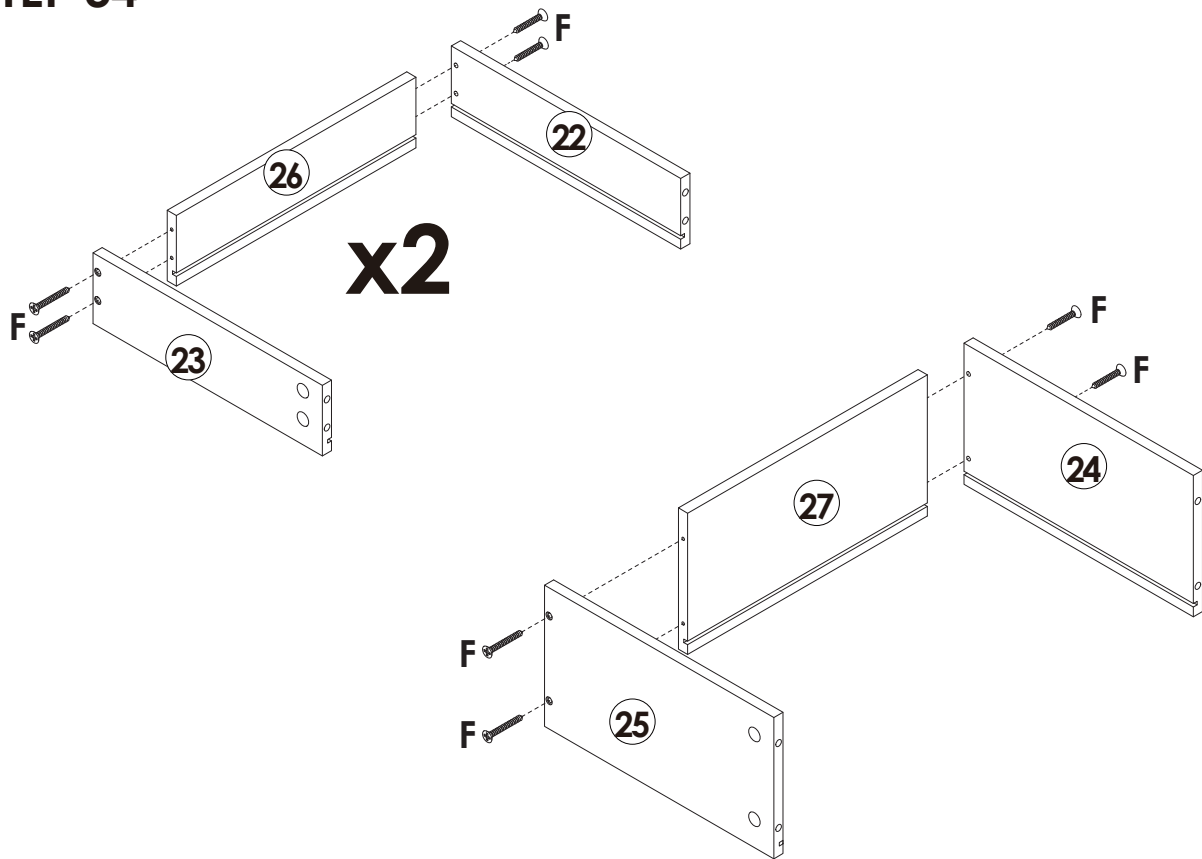


	<b>B</b> x 17PCS
	<b>C</b> x 12PCS



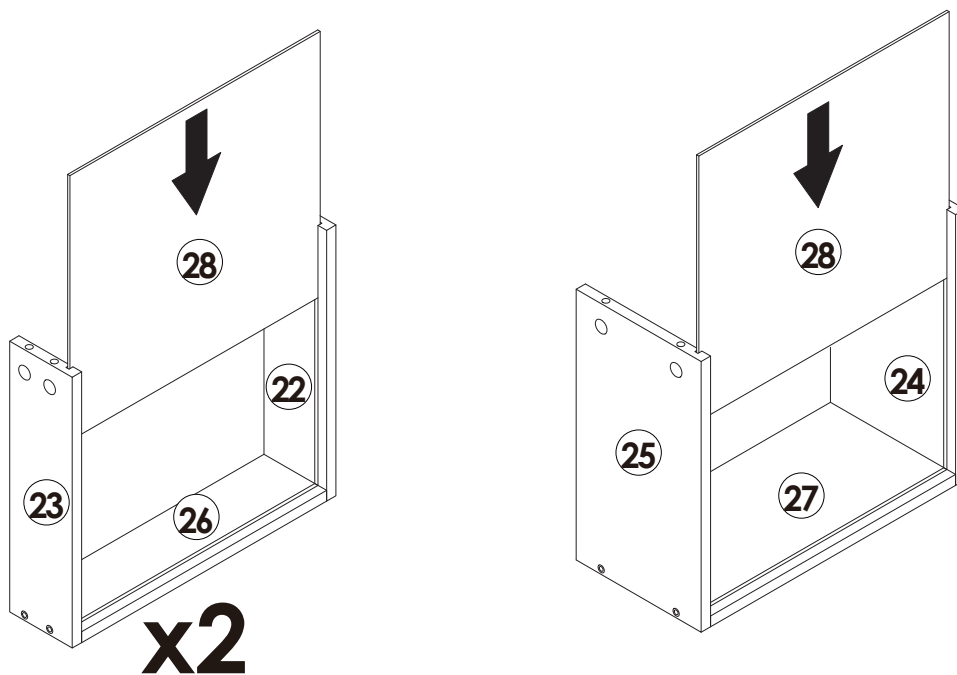
# Assembly Steps(EN) / Montageschritte(DE)

## STEP 34



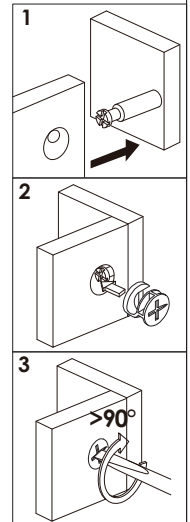
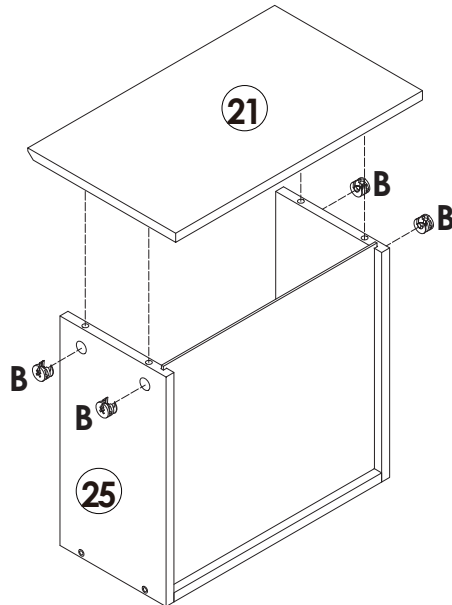
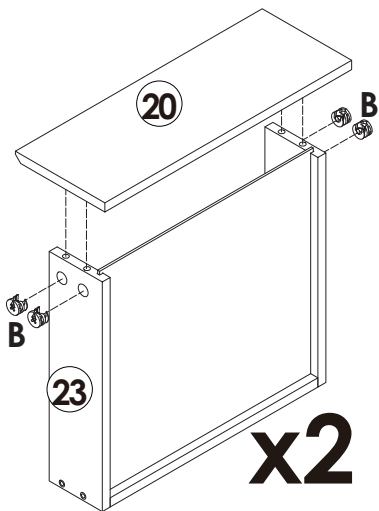
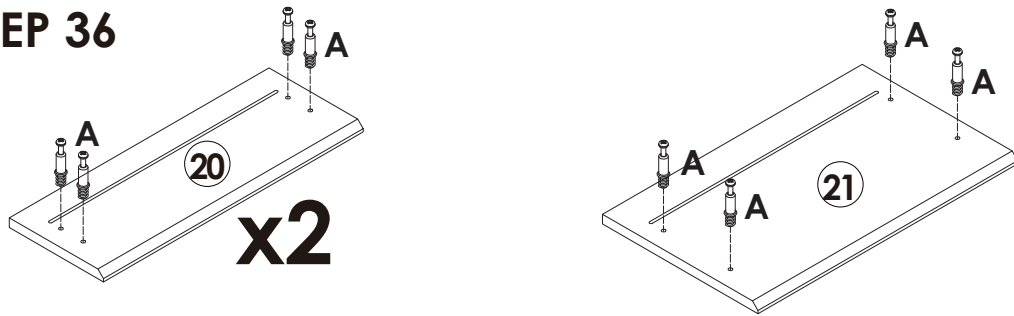
 F x 12PCS

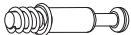

## STEP 35



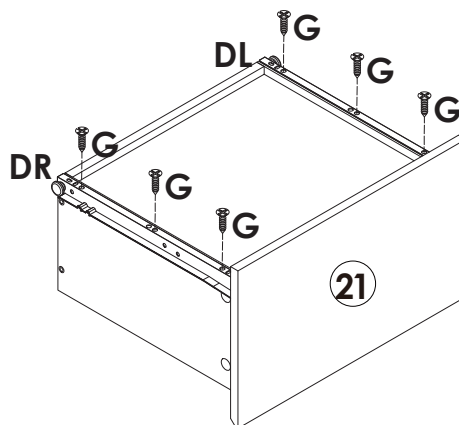
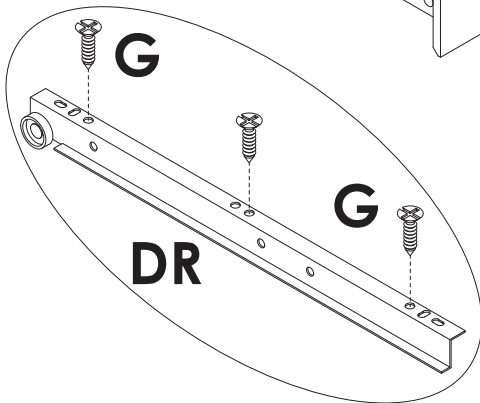
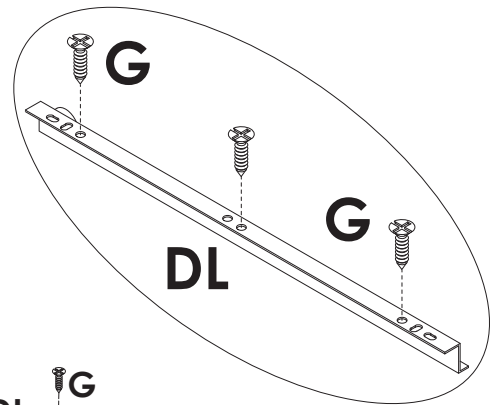
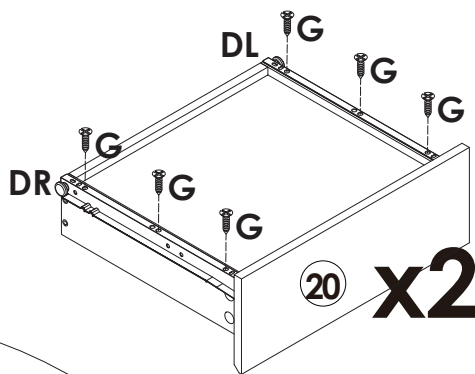
# Assembly Steps(EN) / Montageschritte(DE)

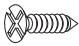


## STEP 36



	<b>A</b> x 12PCS
	<b>B</b> x 12PCS

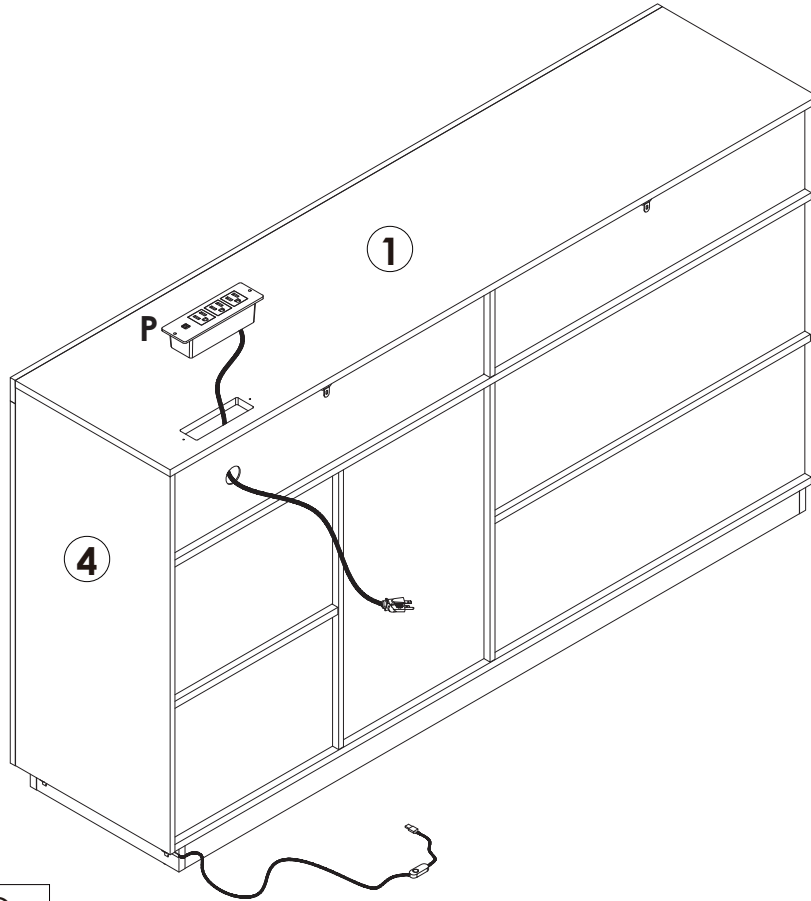
## STEP 37



	<b>G</b> x 18PCS
	<b>DL</b> x 3PCS
	<b>DR</b> x 3PCS

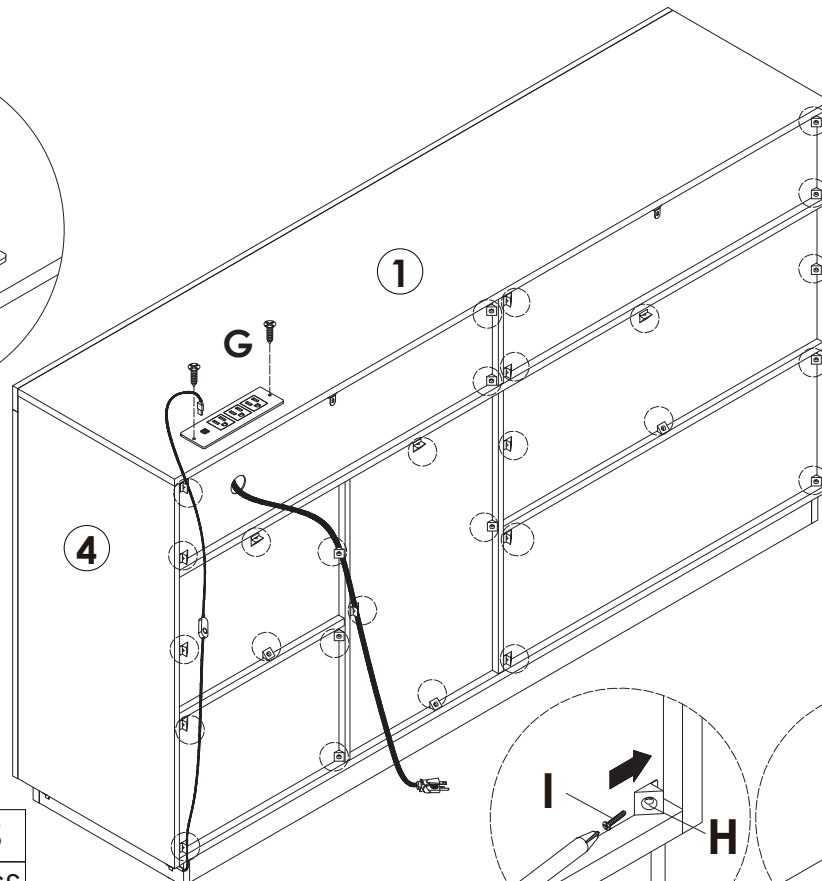
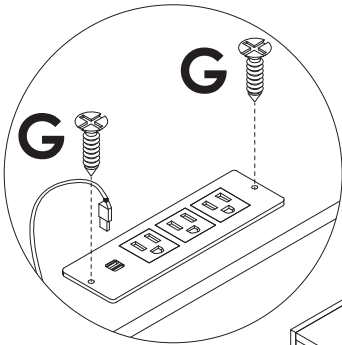
# Assembly Steps(EN) / Montageschritte(DE)

## STEP 38



P x 1PC

## STEP 39



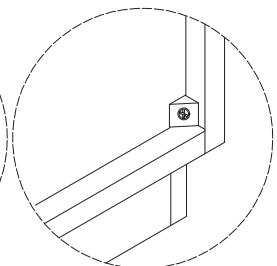
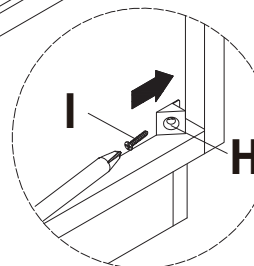
G x 2PCS



H x 28PCS

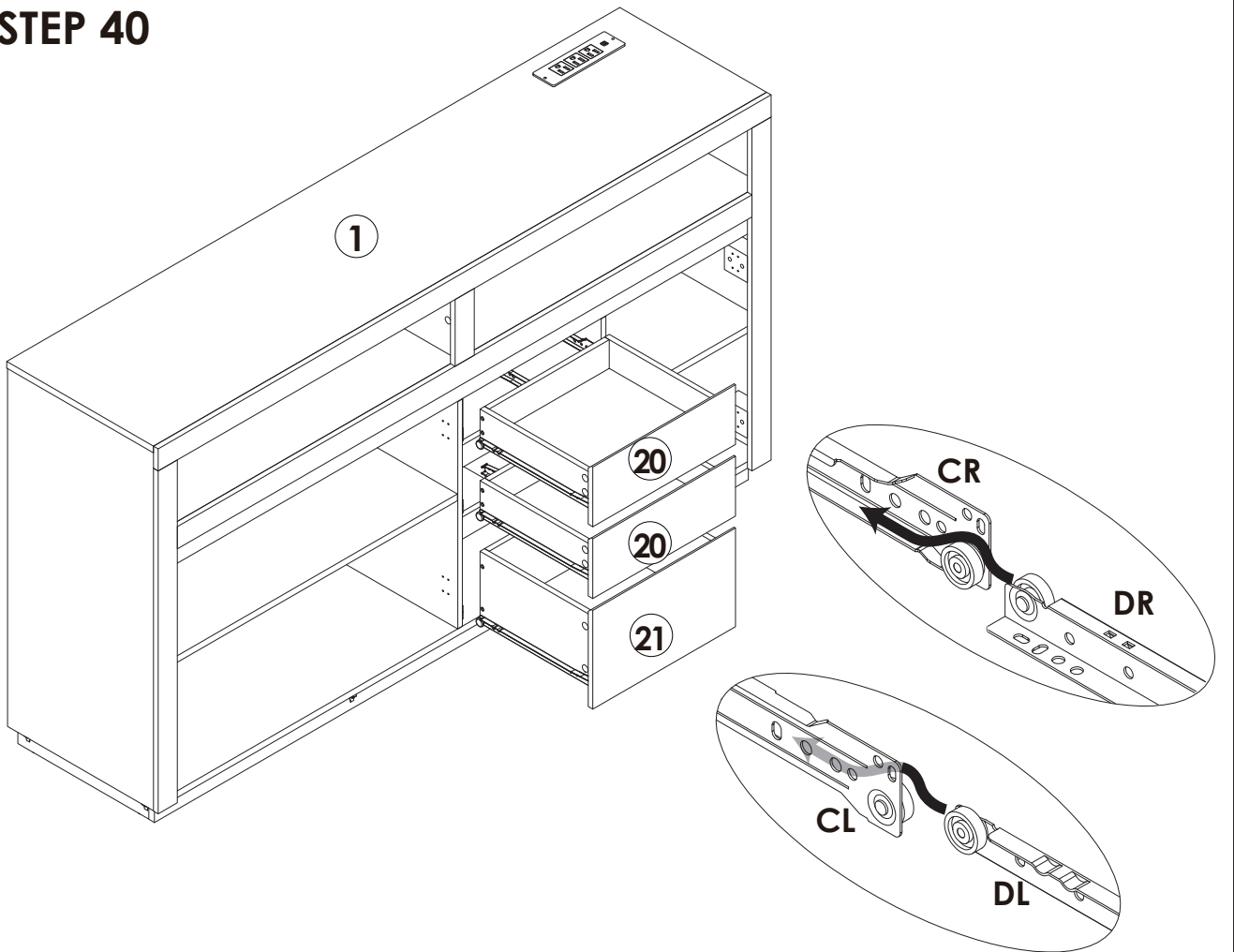


I x 28PCS

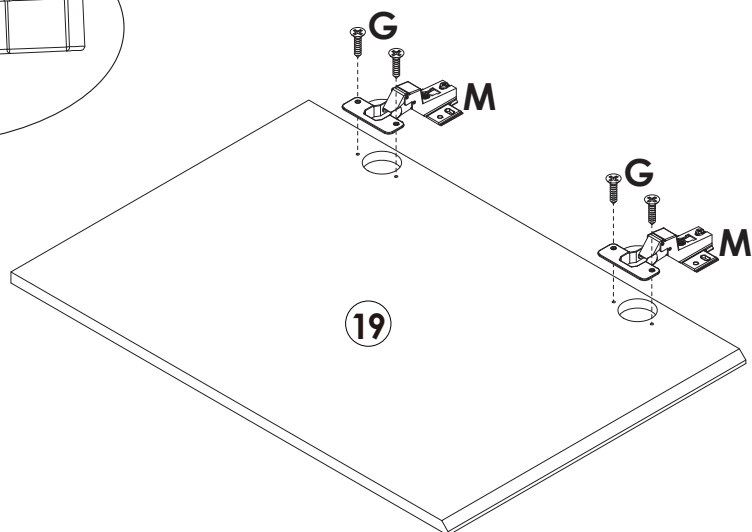
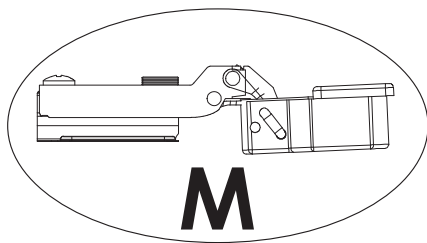


# Assembly Steps(EN) / Montageschritte(DE)

## STEP 40

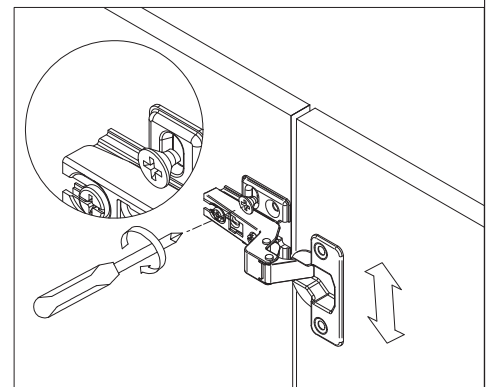
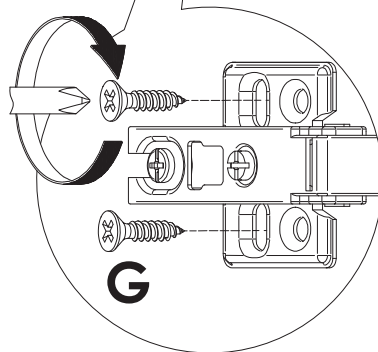
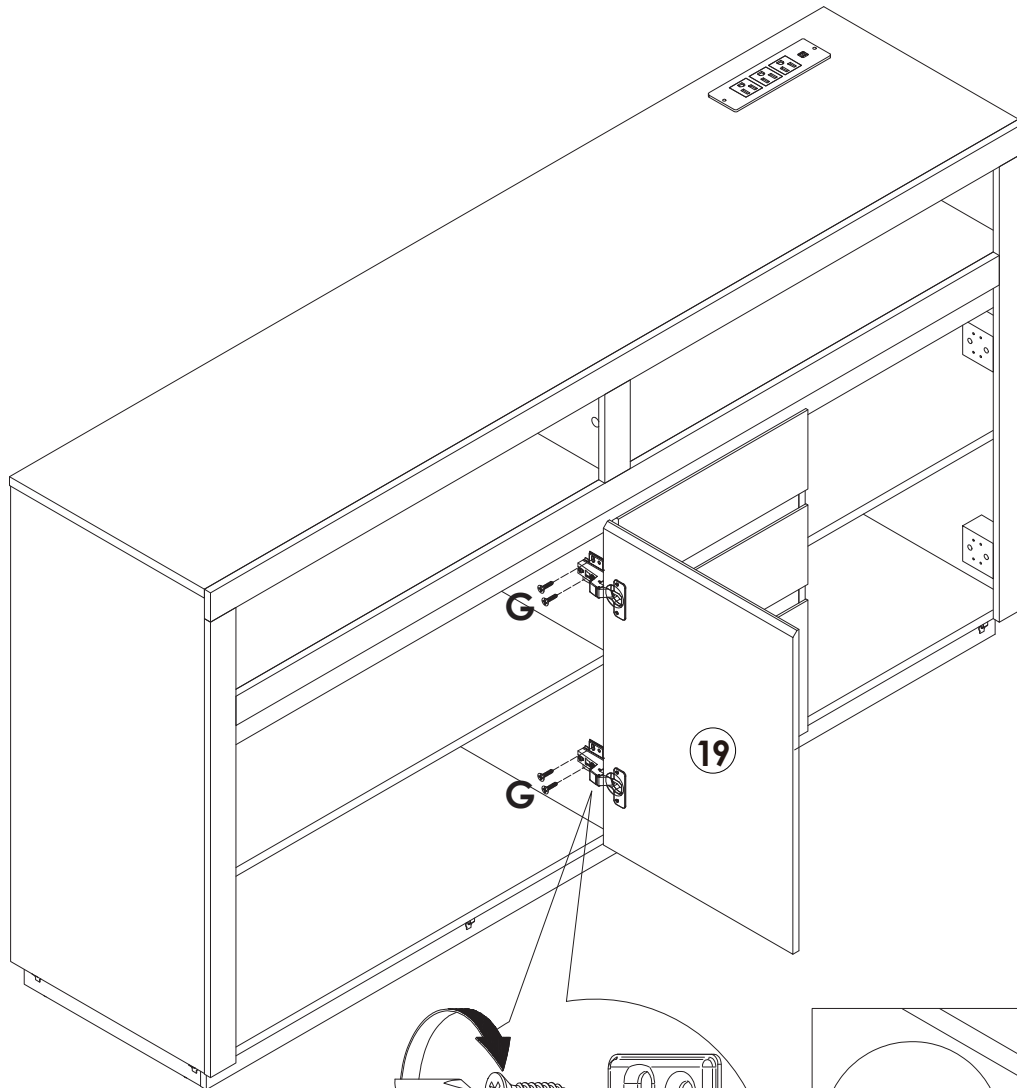


## STEP 41



	<b>G</b> x 4PCS
	<b>M</b> x 2PCS

STEP 42



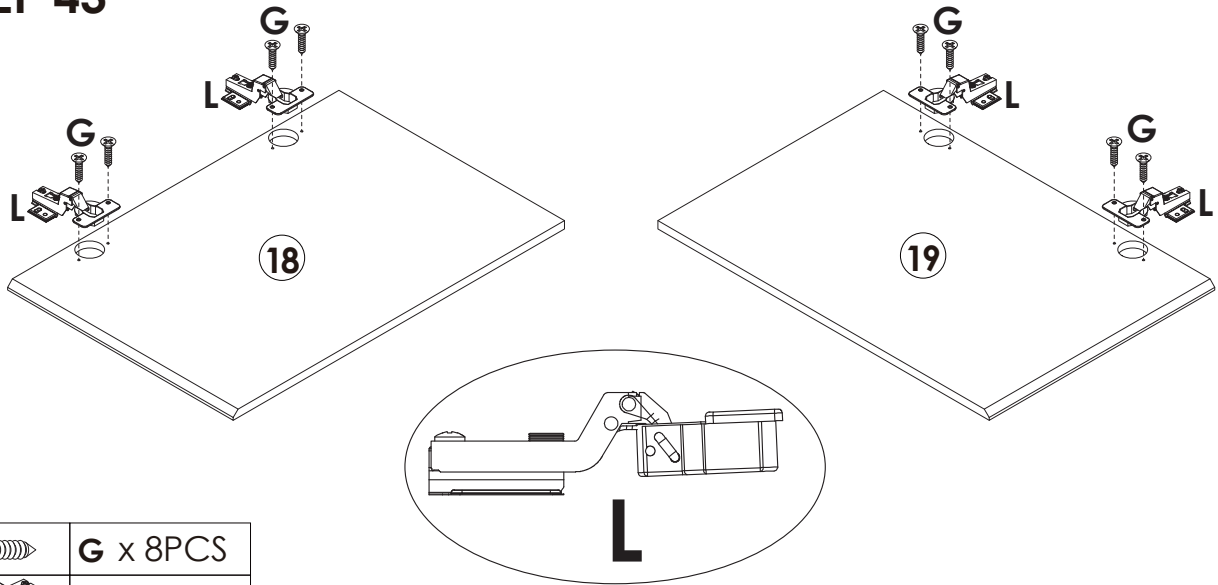
A. Adjustment Up or Down & Fix the screw after adjust





**G** x 4PCS

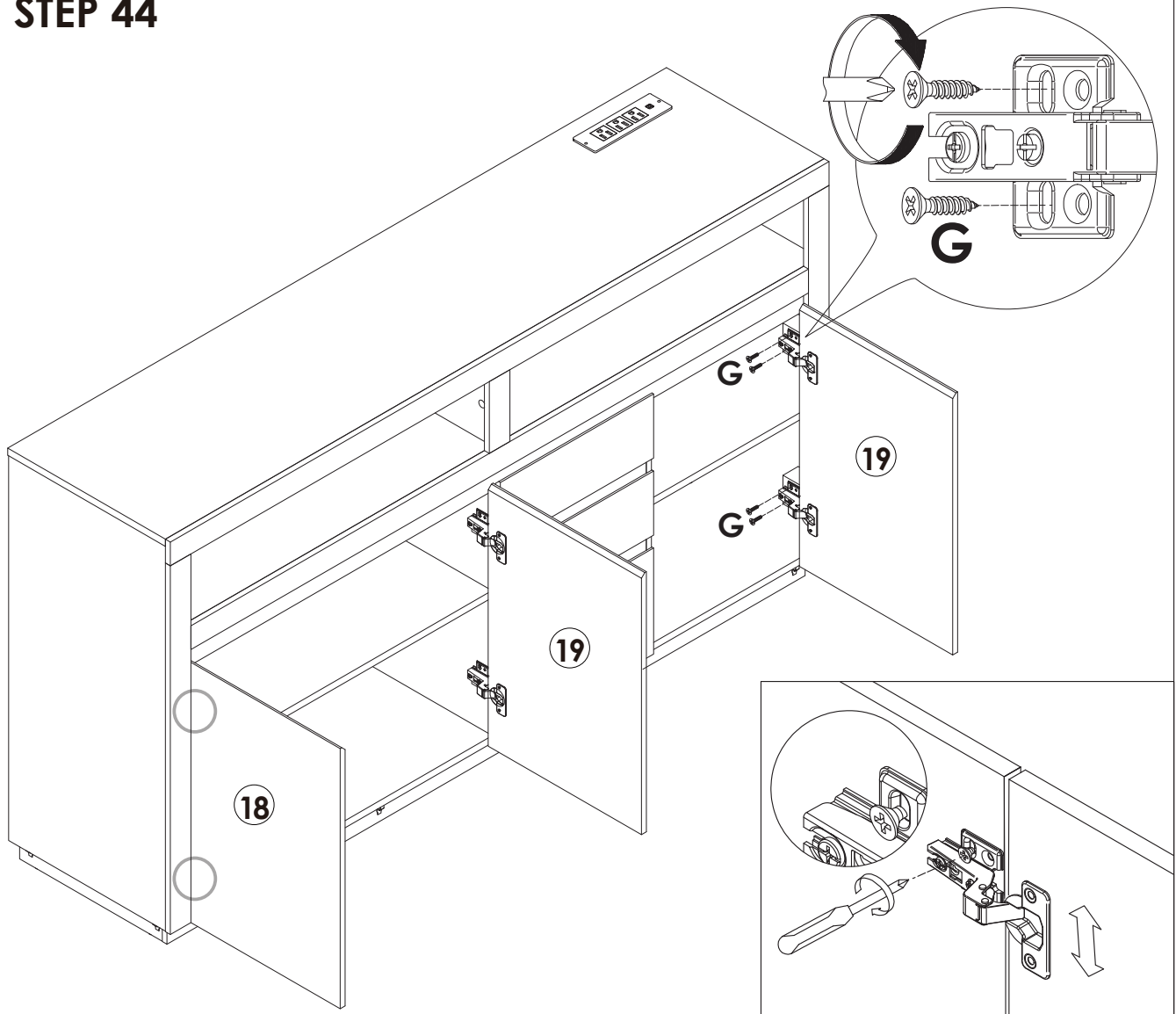
# Assembly Steps(EN) / Montageschritte(DE)

## STEP 43



	<b>G</b> x 8PCS
	<b>L</b> x 4PCS

## STEP 44

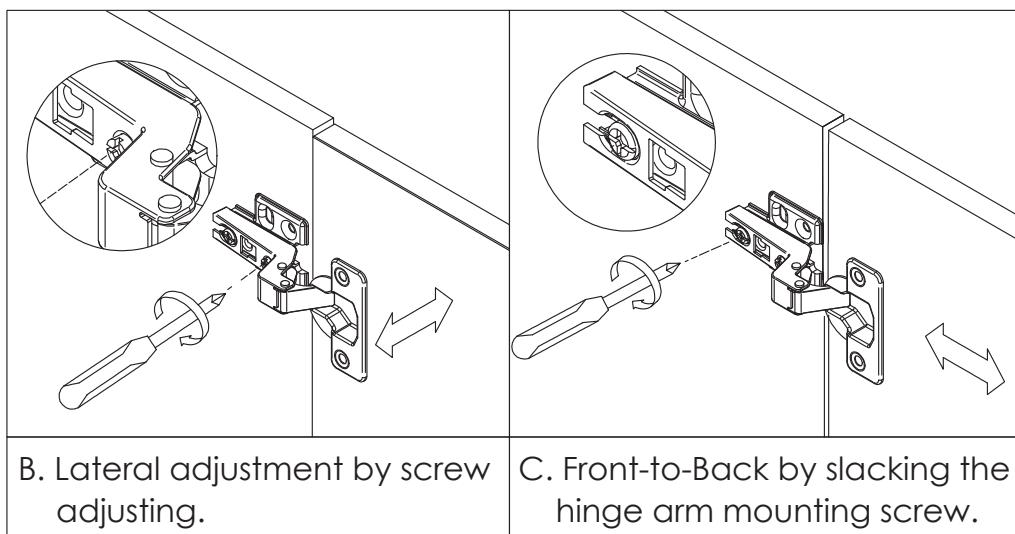
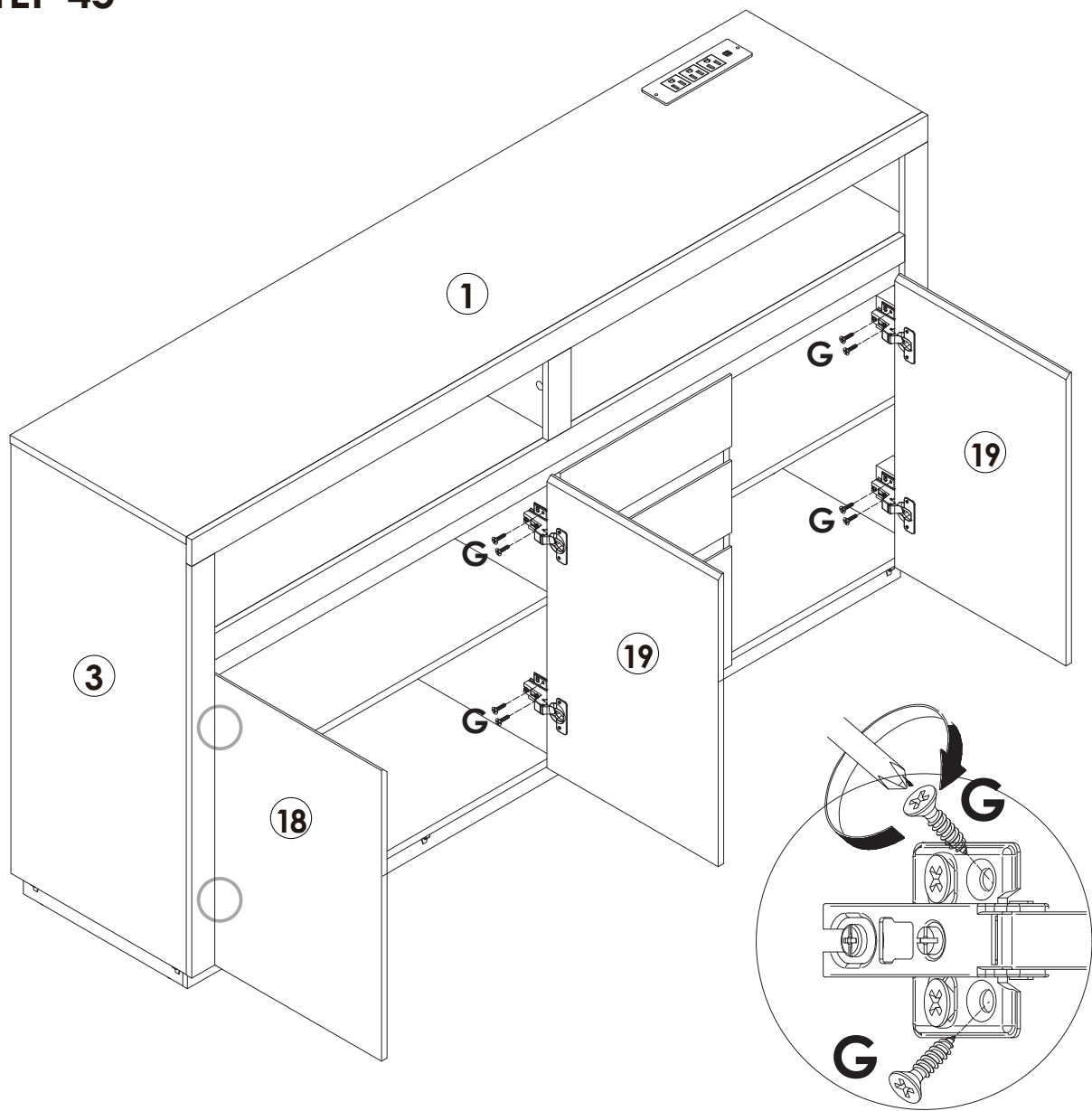


	<b>G</b> x 8PCS
---	-----------------

A. Adjustment Up or Down & Fix the screw after adjust

# Assembly Steps(EN) / Montageschritte(DE)

## STEP 45

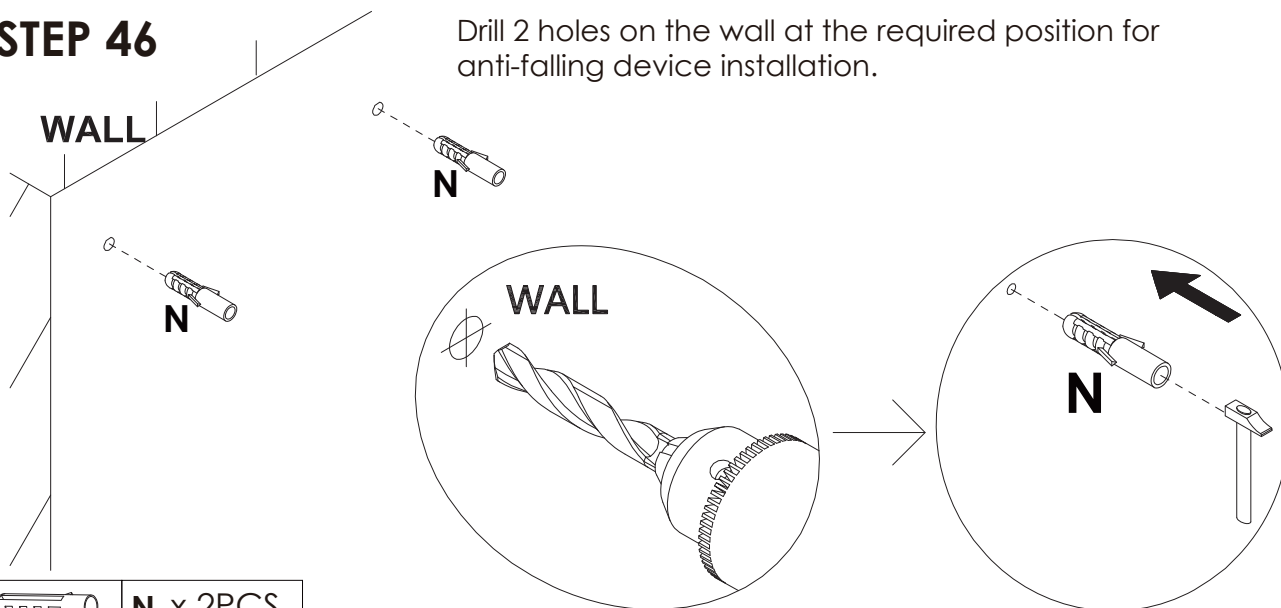


**G** x 12PCS

## Assembly Steps(EN) / Montageschritte(DE)

### STEP 46

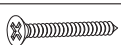
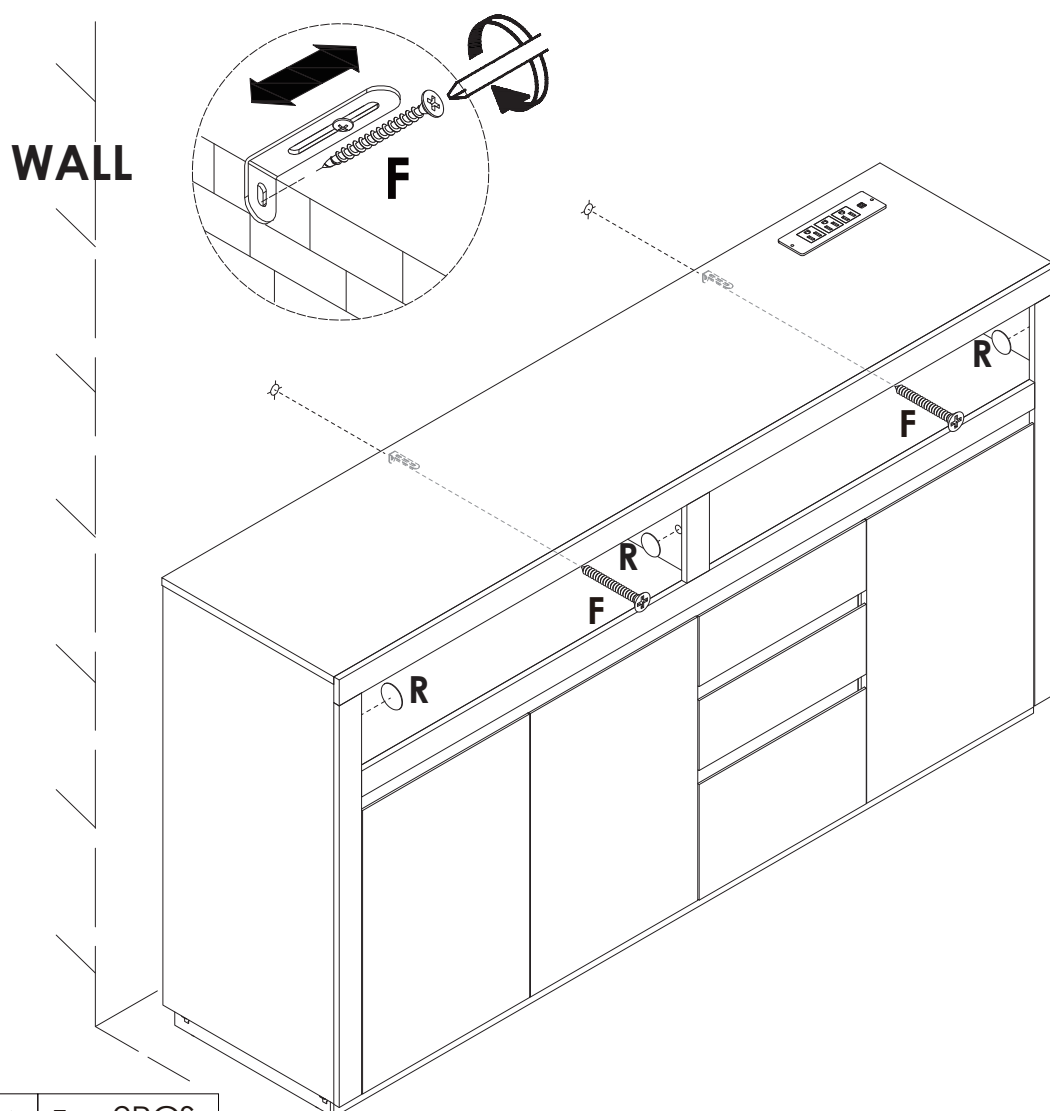
Drill 2 holes on the wall at the required position for anti-falling device installation.



**N** x 2PCS

### STEP 47

Move the cabinet to the required position, use the "F" long screw to fix the cabinet to the wall.



**F** x 2PCS

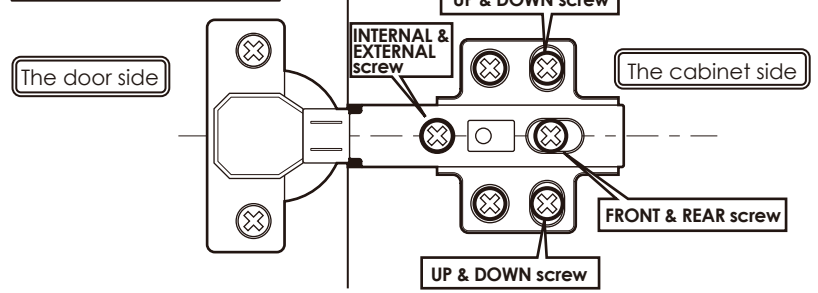


**R** x 3PCS

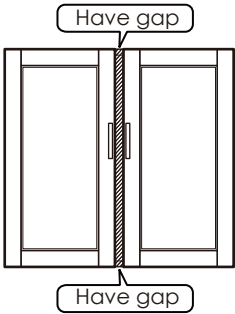
# The ways to adjust the door

- Before adjusting the hinge, please check whether the cabinet is skewed.
- If the skew can not be repaired, please remove the anti-tipping device first, then adjust the cabinet to vertical position.
- Please adjust the hinge with the door open.
- Please operate it with more than 2 people, one person holds the door and the other one adjusts the screw.

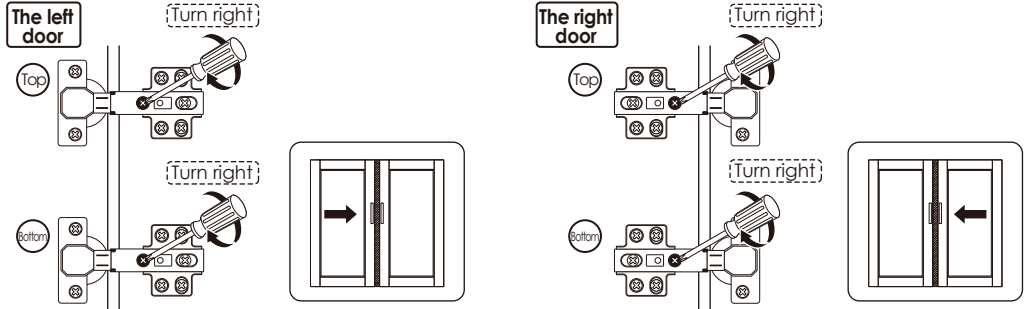
## Components Name



### Obvious gaps between doors or Doors don't look closed



- 1 Turn "internal & external screw" to the right can make the door approach inside. Please adjust the doors little by little.



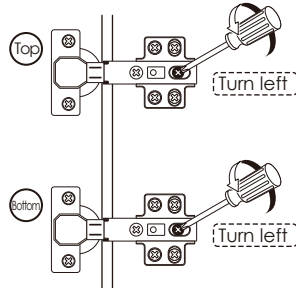
※ If the 2 doors are overlap, please turn the "internal & external screw" to the left.

### When door is crooked



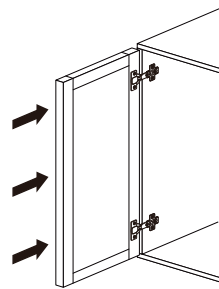
Please take the following steps to adjust first.

- 1 Rotate the "front and rear screws" to the left

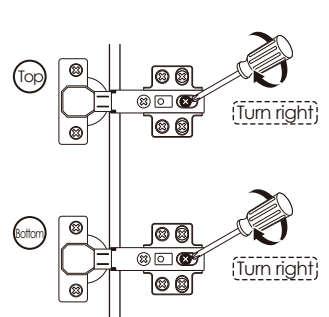


※ After adjusting the "front and rear screw", the door still does not change, please turn the "internal & external screw" to the right slightly.

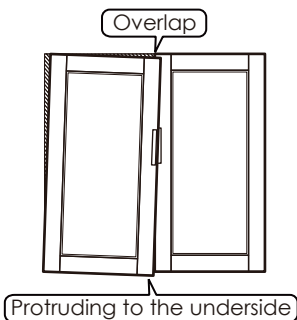
- 2 Push the door to the cabinet



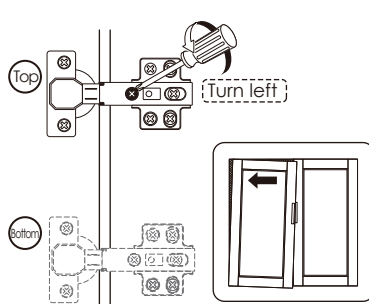
- 3 Rotate the "front and rear screws" to the right



### When door is leaning



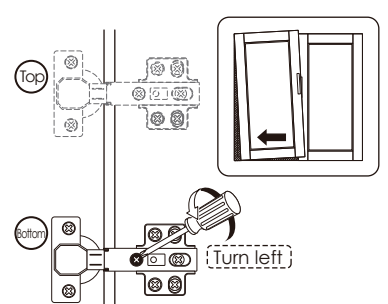
- 1 Turn "internal & external screw" to the left can make the top of the door tilted outward.



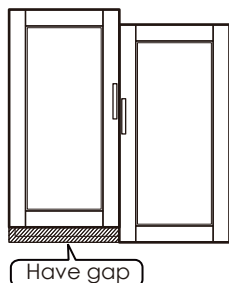
Protruding to the upside



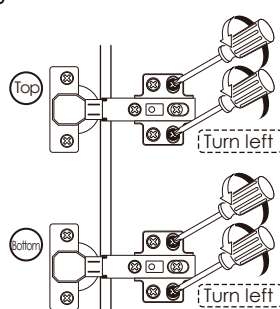
- 1 Turn "internal & external screw" to the left can make the bottom of the door tilted outward.



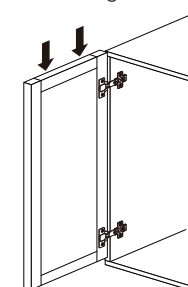
### When the door is higher on top



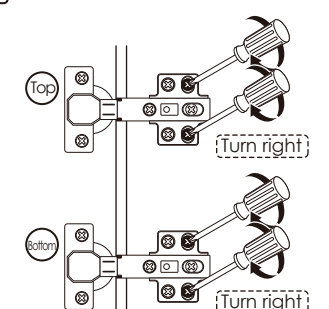
- 1 Turn "up & down screw" to the left



- 2 Lower the door's height so that 2 doors are of the same height.



- 3 Turn "up & down screw" to the right



※ If the door is lower on bottom, please lift up the left door slightly on step 2

# **WARNING**



Children have died from furniture tipover. To reduce the risk of furniture tipover:

- **ALWAYS** install Anti-tip device provided.
- For use with televisions weighing 30 lb or less. Use with heavier televisions may result in instability causing tip-over resulting in death or serious injury.
- **NEVER** allow children to stand, climb or hang on any drawers, doors, or shelves.
- **NEVER** open more than one drawer at a time.
- Place heaviest items in the lowest drawers.

***This is a permanent label.  
Do not remove!***