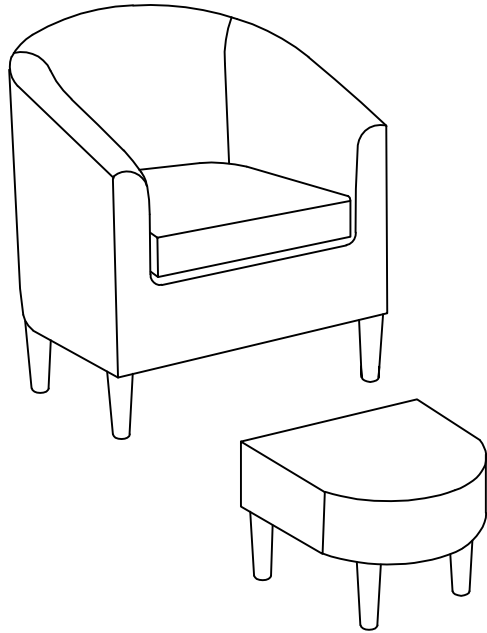
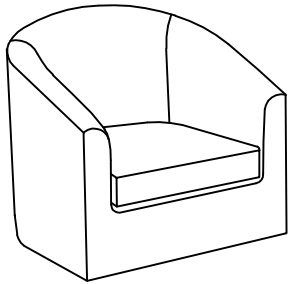


ASSEMBLY INSTRUCTION

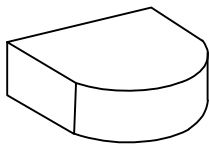


Parts List



①

1X



②

1X



③

8X

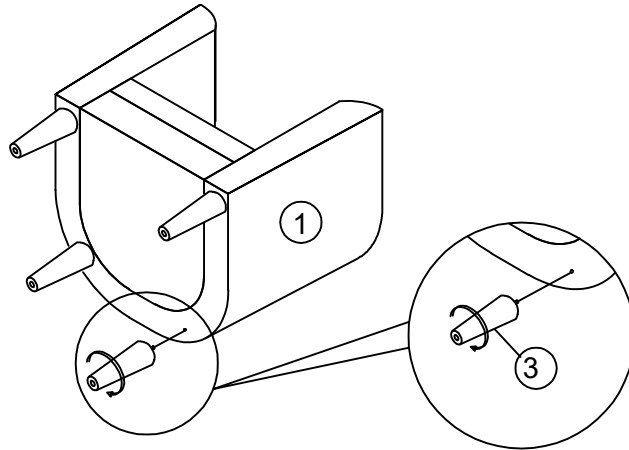


④

8X

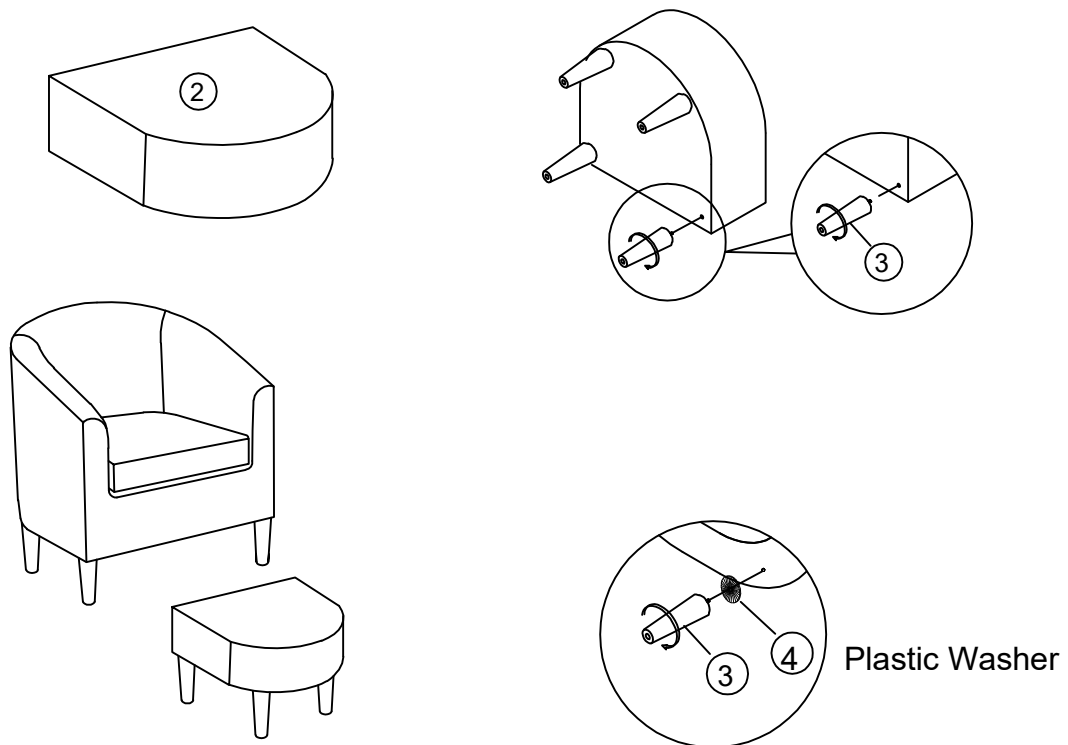
STEP 1

Assembling legs ③ to accent chair ① as shown. And finish.



STEP 2

Assembling legs ③ to the ottoman ② as shown. And finish.



NOTE: If the chair is wobbly or unbalanced, please add the plastic washer until you feel fine.