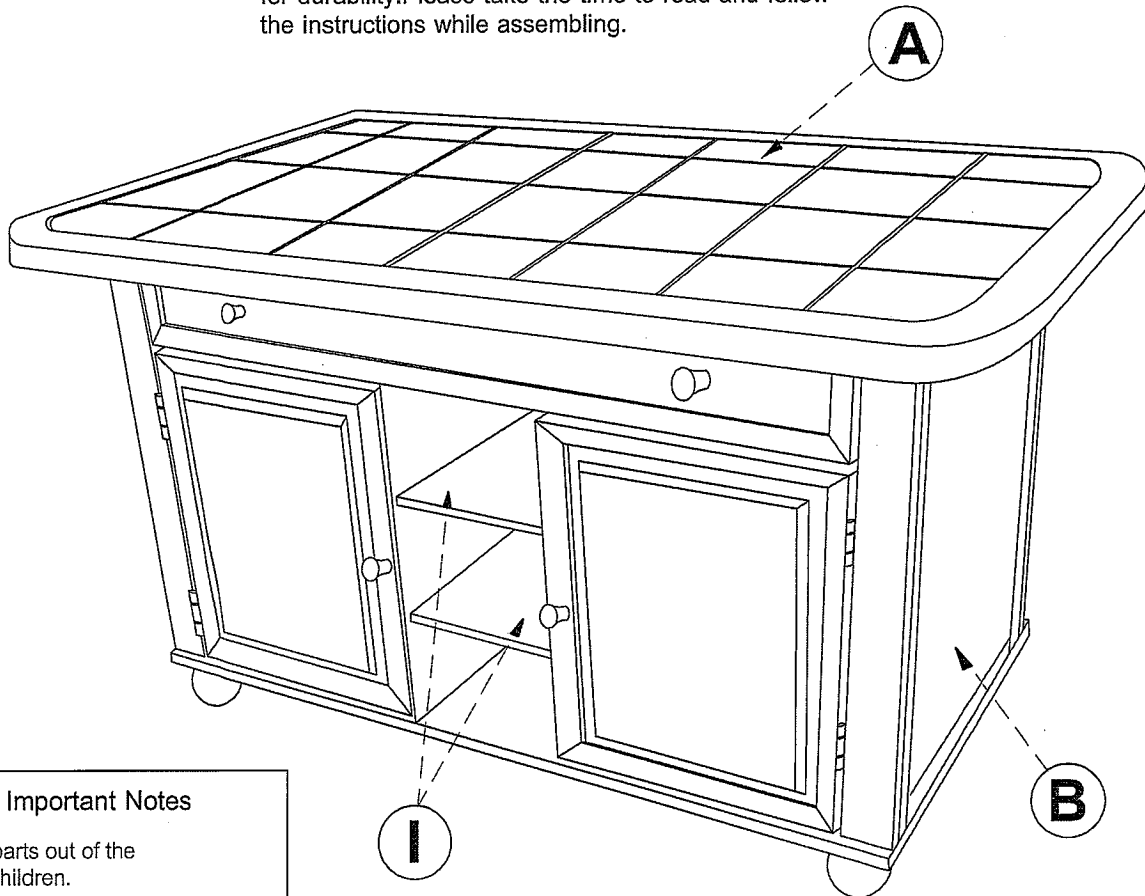


ASSEMBLY INSTRUCTIONS

KITCHEN ISLAND

24"W x 60-1/2"L x 35"H

Thank you for purchasing this Quality product.
It has been engineered for easy assembly yet constructed for durability. Please take the time to read and follow the instructions while assembling.

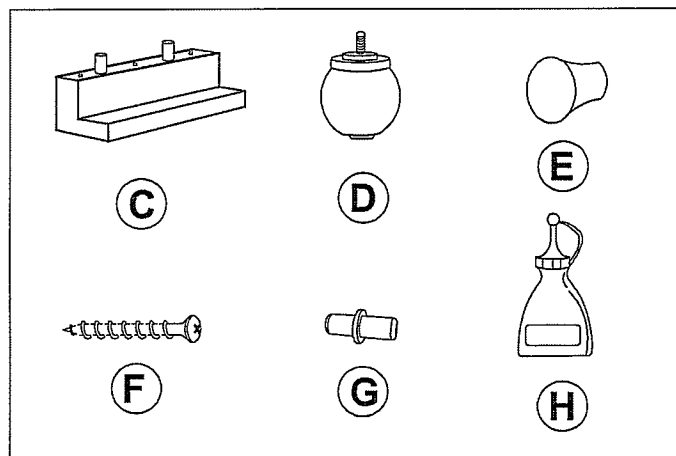


⚠ Important Notes

- Keep all parts out of the reach of children.
- Must tighten nuts periodically, with use nuts will become loose. Check tightness of all nuts every 6-8 weeks.
- Do not attempt to repair or modify parts that are broken or defective. Please contact your local retailer immediately.
- Do not tighten all nuts until all completely assembled.

LIST OF PARTS & HARDWARES

No.	Description	Qty.
(A)	TOP	1 PC.
(B)	BASE	1 PC.
(C)	WOODEN SLIDE	4 PCS.
(D)	LEGS	4 PCS.
(E)	WOODEN KNOB	4 PCS.
(F)	WOODEN SCREW	16 PCS.
(G)	ADJUSTABLE	8 PCS.
(H)	GLUE	1 PC.
(I)	SHELF	2 PCS.

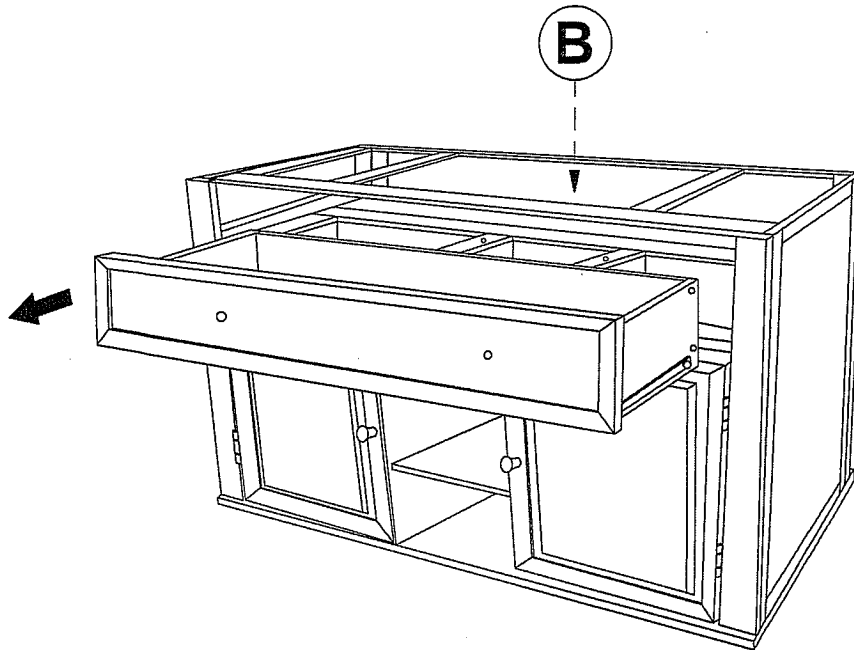


ASSEMBLY INSTRUCTIONS

KITCHEN ISLAND

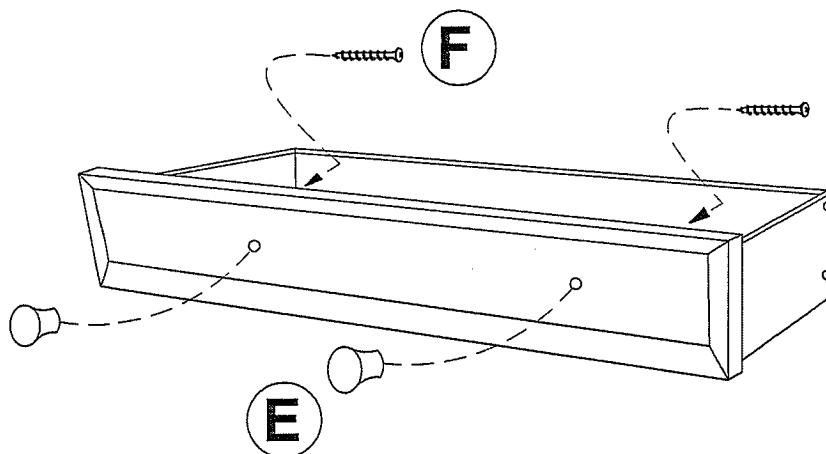
24"W x 60-1/2"L x 35"H

Thank you for purchasing this Quality product.
It has been engineered for easy assembly yet constructed for durability. Please take the time to read and follow the instructions while assembling.



Step: 1

- OPEN CARTON SO THAT IT CAN BE USED AS WORK SURFACE OF ASSEMBLY.
- REMOVE ALL PARTS FROM CARTON.
- TAKE OFF DRAWER ON EACH DRAWER SLIDE.



Step: 2

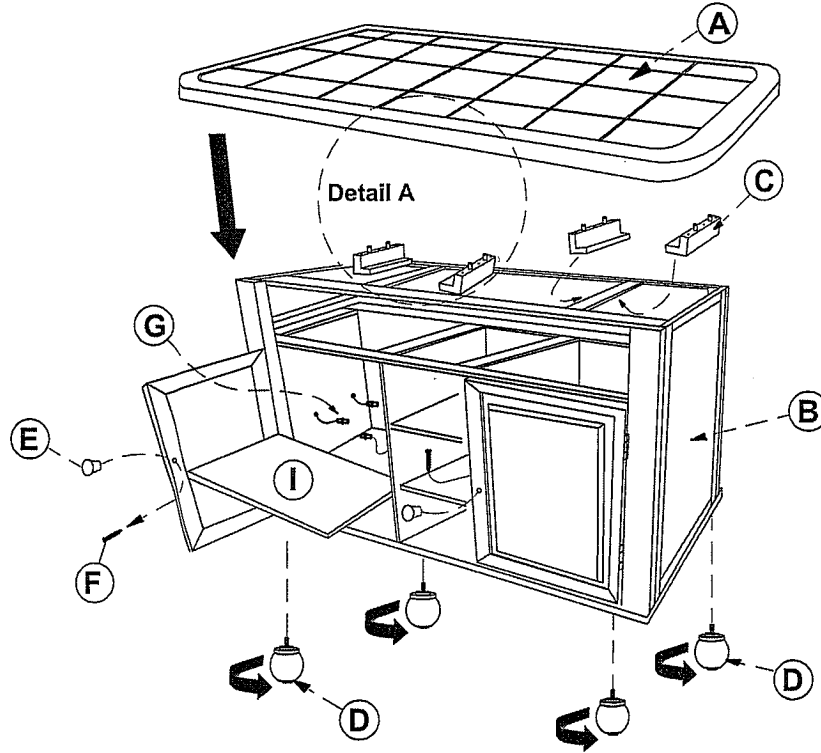
- ATTACH WOODEN KNOB (E) TO FRONT DOORS BY USING SCREW (F) AND TIGHTENING WITH SCREW DRIVER. (NOT PROVIDED)

ASSEMBLY INSTRUCTIONS

KITCHEN ISLAND

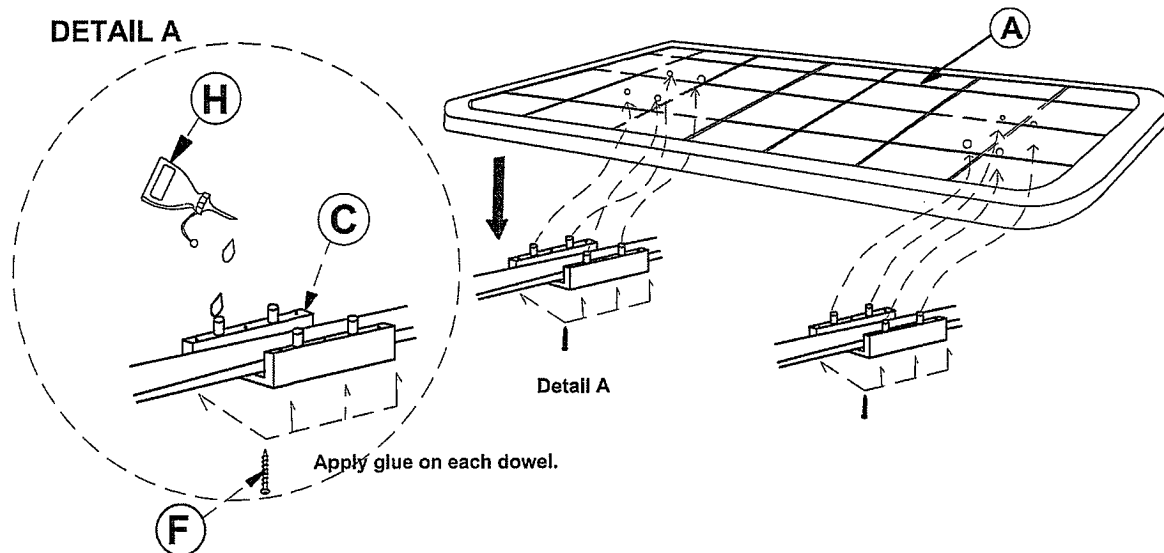
24"W x 60-1/2"L x 35"H

Thank you for purchasing this Quality product. It has been engineered for easy assembly yet constructed for durability. Please take the time to read and follow the instructions while assembling.



Step: 3

- INSERT ADJUSTABLE (G) INTO UNIT AND PUT THE SHELF (I) TO INSIDE.
- ATTACH LEG (D) TO UNIT BY SCREWING ONE LEG INTO EACH CORNER OF BOTTOM PANEL, UNTIL TIGHT .



Step: 4

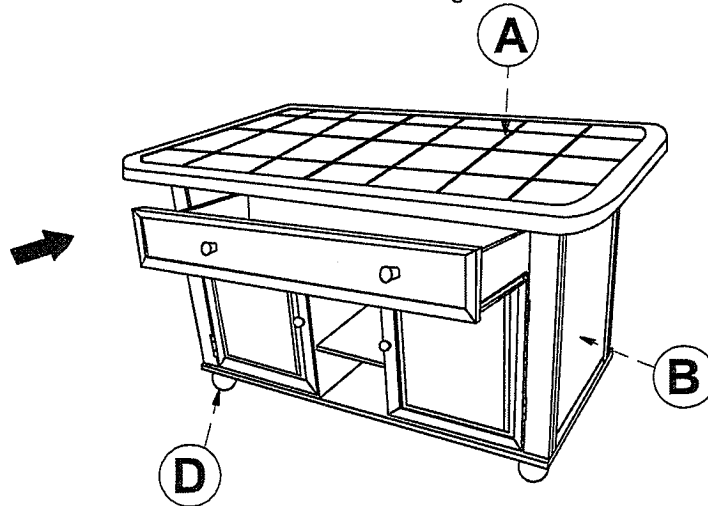
- ALIGN TOP (A) TO THE CENTER OF UNIT AND ATTACH WOODEN SLIDE (C) BY SCREWING SCREW (F) UNTIL TIGHT.

ASSEMBLY INSTRUCTIONS

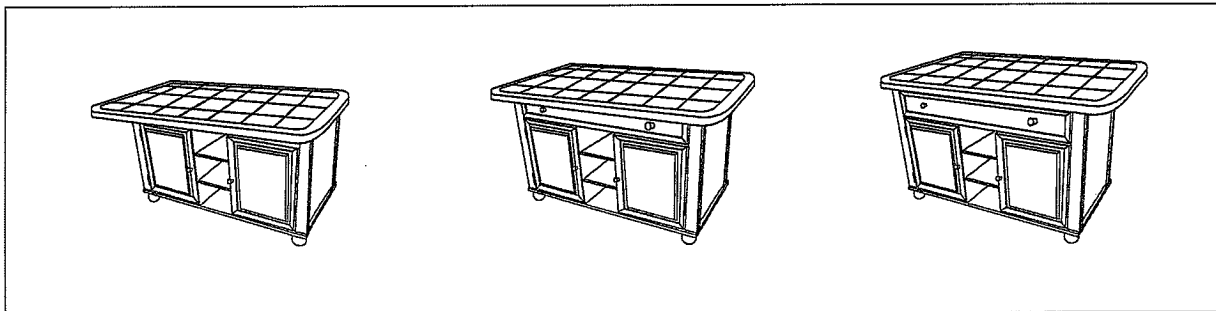
KITCHEN ISLAND

24"W x 60-1/2"L x 35"H

Thank you for purchasing this Quality product. It has been engineered for easy assembly yet constructed for durability. Please take the time to read and follow the instructions while assembling.



Step: 5 - REINSTALL DRAWER INTO UNIT

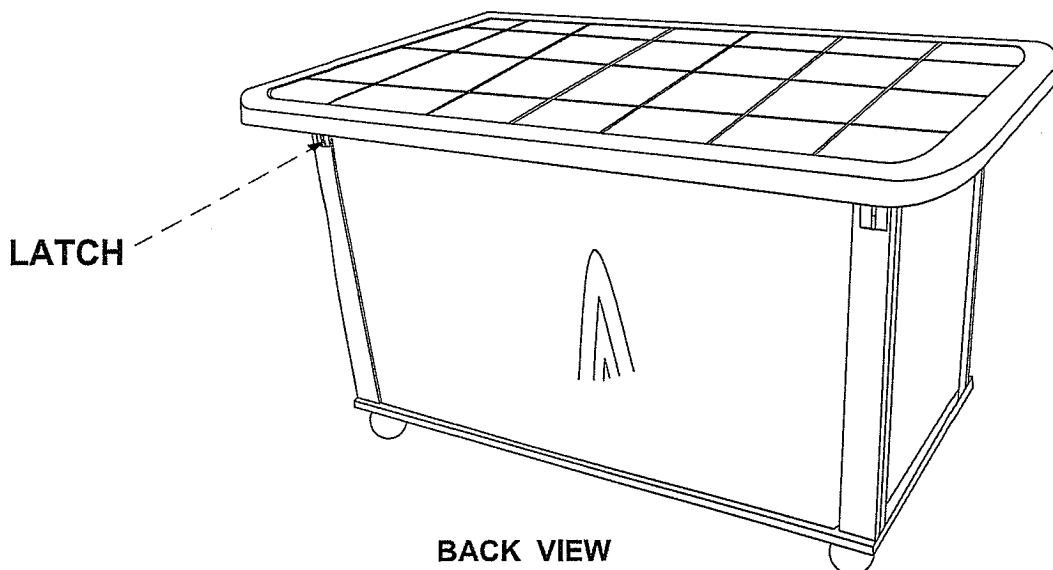


FRONT

MIDDLE

BACK

3 POSITION FIXED TOP AS SHOWN BY USING LATCH ON EACH BACK SIDE



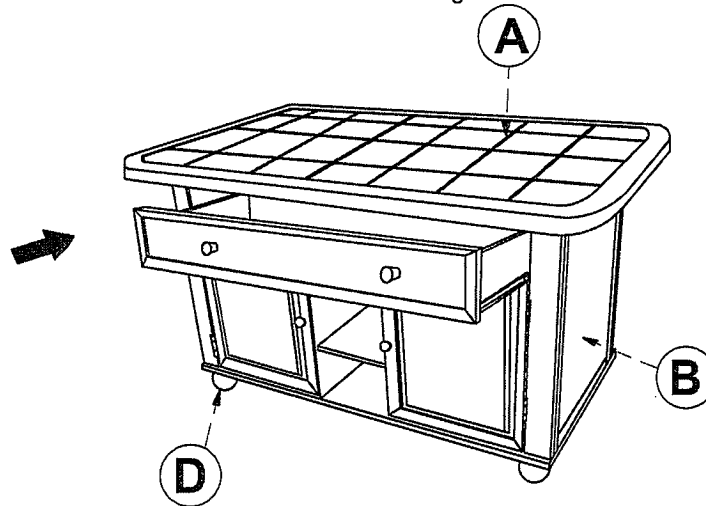
BACK VIEW

ASSEMBLY INSTRUCTIONS

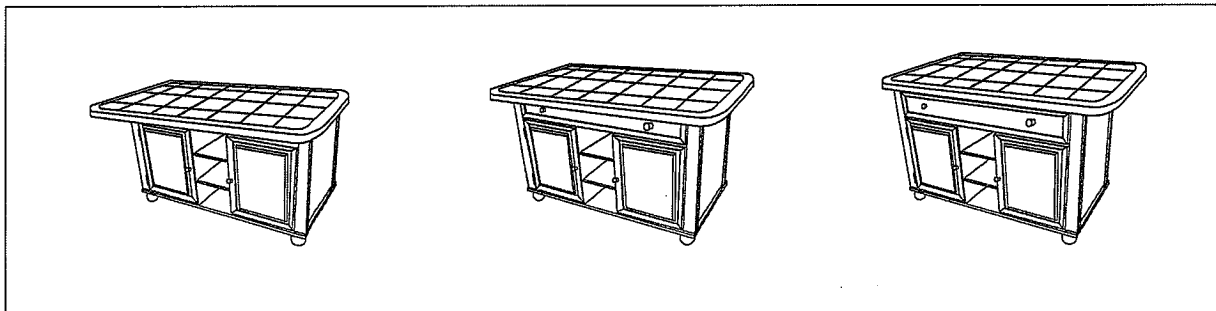
KITCHEN ISLAND

24"W x 60-1/2"L x 35"H

Thank you for purchasing this Quality product.
It has been engineered for easy assembly yet constructed
for durability. Please take the time to read and follow
the instructions while assembling.



Step: 5 - REINSTALL DRAWER INTO UNIT

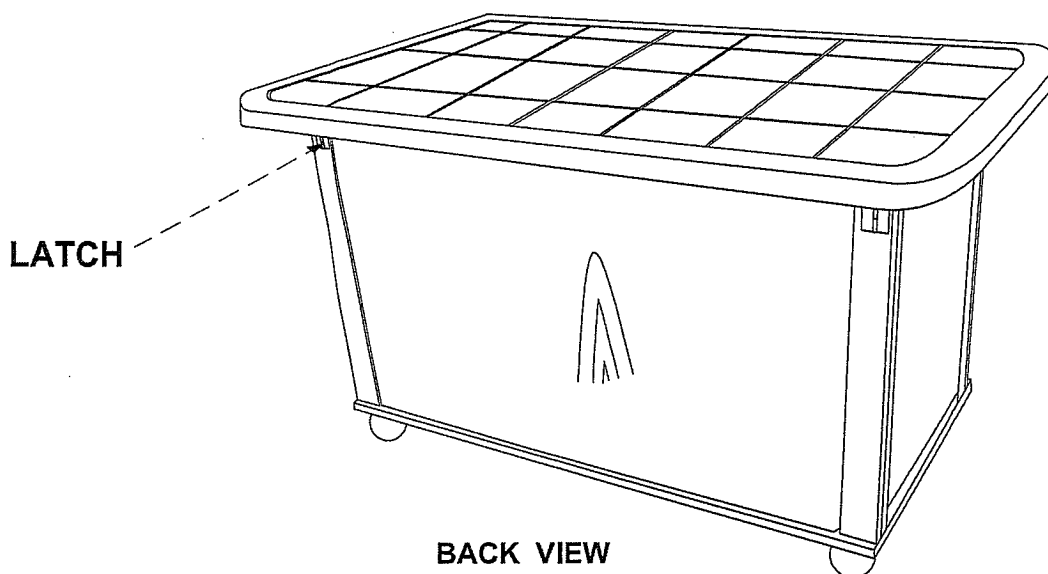


FRONT

MIDDLE

BACK

3 POSITION FIXED TOP AS SHOWN BY USING LATCH ON EACH BACK SIDE



BACK VIEW