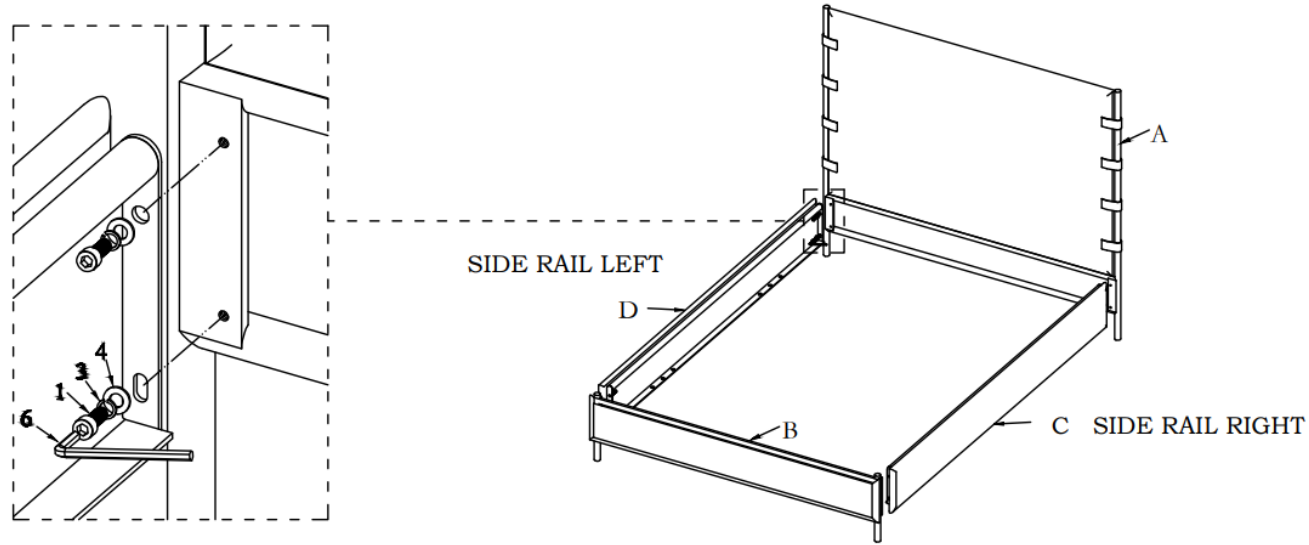


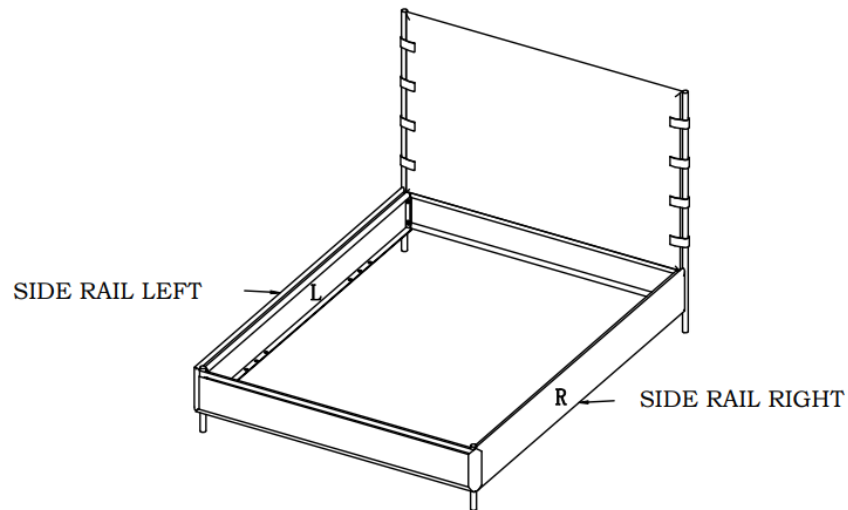
ASSEMBLY INSTRUCTION

Bed









1



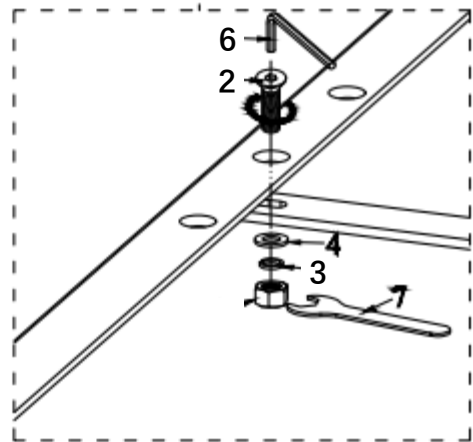
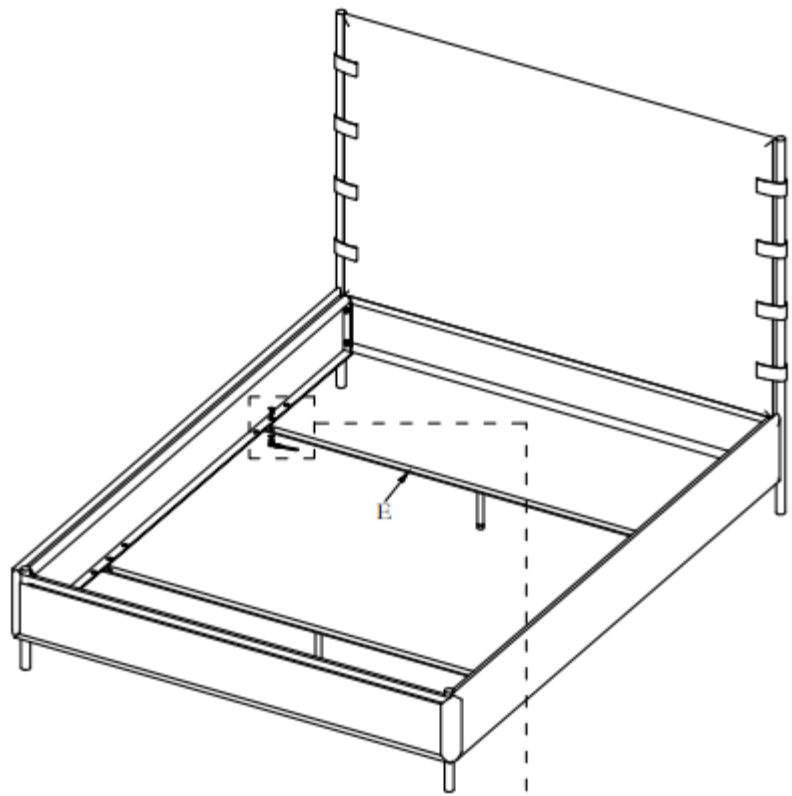
2



PART LIST		
NO	DESCRIPTION	QTY
A	HEADBOARD	1PC
B	FOOTBOARD	1PC
C	SIDE RAIL RIGHT	1PC
D	SIDE RAIL LEFT	1PC
E	CROSSBEAM	2PCS

HARDWARE LIST		
NO	DESCRIPTION	QTY
1	 Allen Bolt M8 *20mm	8PCS
2	 Countersunk Head Bolt M8 *20mm	4PCS
3	 Lock Washer	12PCS
4	 Flat Washer	12PCS
5	 Nut	4PCS
6	 Allen Key(Bigger)	1PC
7	 Wrench	1PC
8	 Allen Key(Smaller)	1PC

3



4

