

WALL MOUNT



INSTRUCTIONS PERTAINING TO RISK OF FIRE OR INJURY TO PERSONS
READ ALL INSTRUCTIONS

**IMPORTANT SAFETY
INSTRUCTIONS**
SAVE THESE INSTRUCTIONS

TOOLS AND MATERIALS REQUIRED:



Pliers



Wire Cutters



Blade
Screwdriver



Phillips
Screwdriver

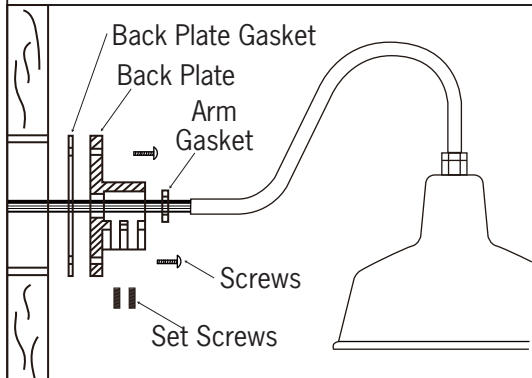
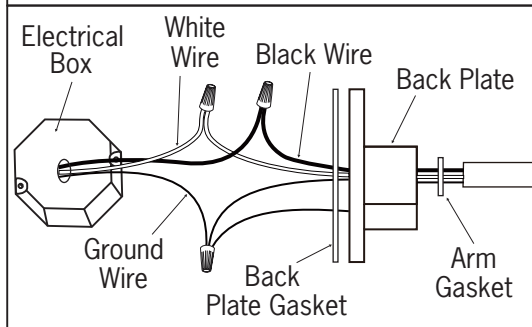
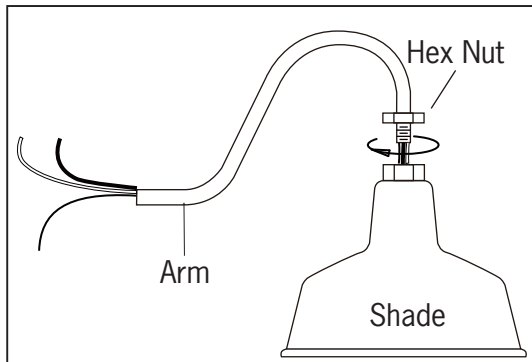
Wiring supplies
as required by
local electrical
code

SAFETY PRECAUTIONS:

1. **TURN OFF ELECTRICAL POWER BEFORE STARTING INSTALLATION OF LIGHT FIXTURE.**
2. **THIS PRODUCT MUST BE INSTALLED IN ACCORDANCE WITH THE APPLICABLE INSTALLATION CODE BY A PERSON FAMILIAR WITH THE CONSTRUCTION AND OPERATION OF THE PRODUCT AND THE HAZARDS INVOLVED.**
3. **CONNECT THE GROUND WIRES (BARE COPPER OR GREEN) FROM YOUR FIXTURE TO THE GROUND WIRE (BARE COPPER OR GREEN) OR GROUND SCREW IN THE ELECTRICAL OUTLET BOX.**

NOTE: Product may not look exactly as shown in diagrams. Bulbs are not included.

INSTALLATION:



**WARNING: SUITABLE FOR WET LOCATIONS WHEN
THREADS ARE SEALED WITH TEFLON
TAPE OR PIPE SEAL.**



1. Run black, white and green wires from fixture through arm.
2. Screw the arm onto the shade. Tighten the hex nut after adjusting the angle of the lampshade. Put the arm gasket, back plate and back plate gasket in place. Seal other end of arm into back plate with gasket in place.
3. Connect the ground wires (bare copper or green) from your fixture to the ground wire (bare copper or green) or ground screw in the electrical outlet box. Connect black wire from fixture to black wire in outlet box and connect the white wire from fixture to white wire in outlet box.
4. Put back plate gasket in place and attach backplate to junction box using screws provided.
5. Align fixture and secure by tightening set screws on backplate.
6. After Installation, seal around the top and side perimeter between the fixture and the wall surface with weather resistant caulking. The bottom should be left un-caulked to prevent moisture build-up.
7. Install proper bulb type and wattage (not included).