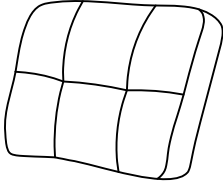
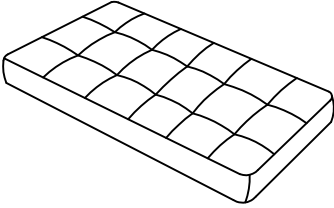
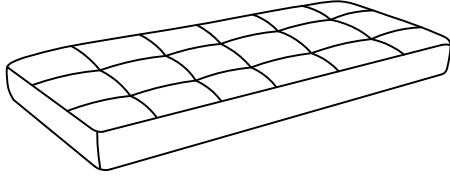
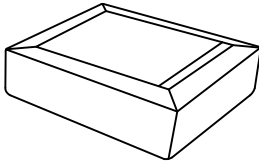
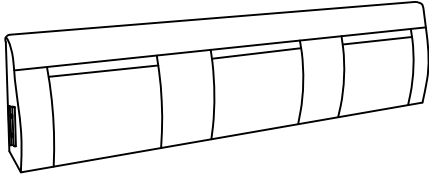
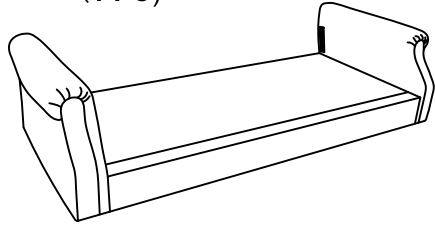


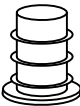
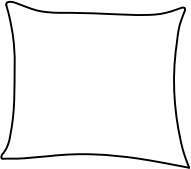


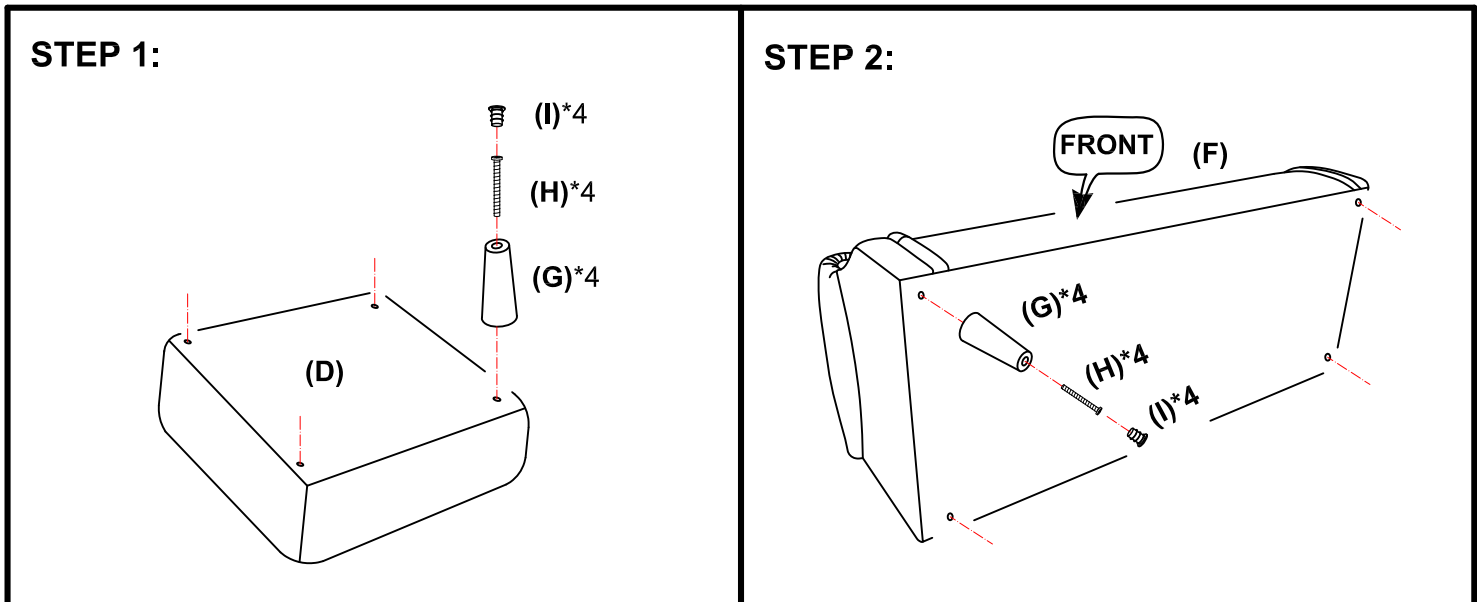
ASSEMBLY INSTRUCTIONS

ITEM NO. : F6457 F6458 F6459

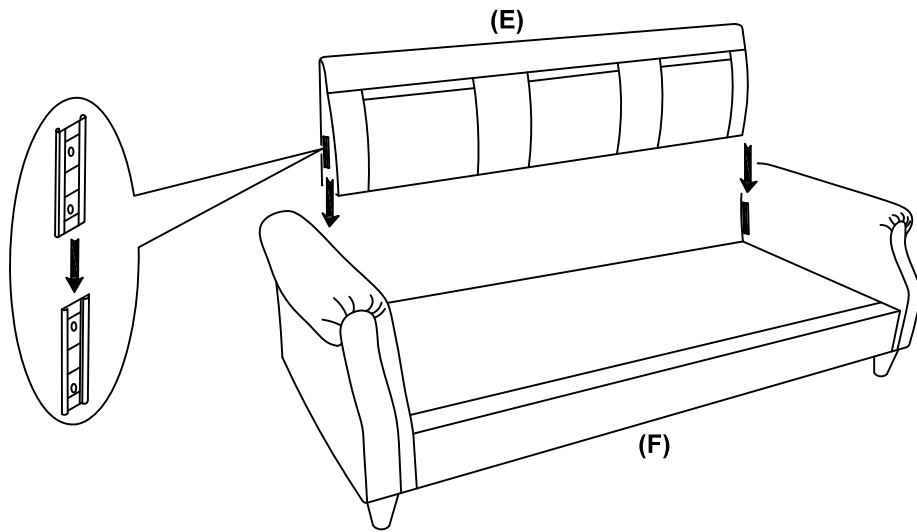
Parts list:

<p>A BACK CUSHIONS (3 PCS)</p> 	<p>B SEAT CUSHION (1 PC)</p> 	<p>C SEAT CUSHION (1 PC)</p> 	
<p>D SEAT FRAME (1 PC)</p> 	<p>E BACK FRAME (1 PC)</p> 	<p>F SEAT FRAME (1 PC)</p> 	
<p>G LEGS (8 PCS)</p> 	<p>H BOLTS (8 PCS)</p> 	<p>I PLASTIC CAPS (8PCS)</p> 	<p>J PILLOWS (2 PCS)</p> 

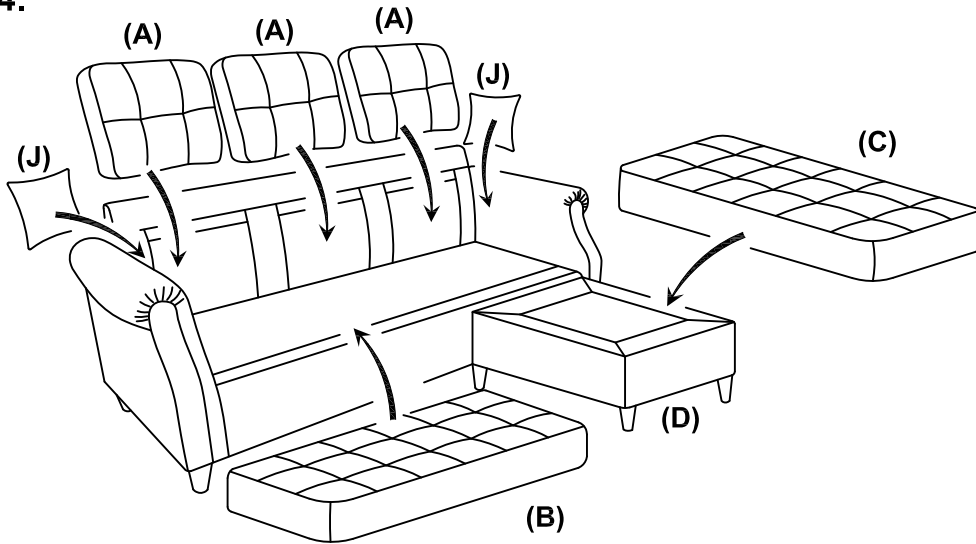
How to assemble:



STEP 3:



STEP 4:



OR

