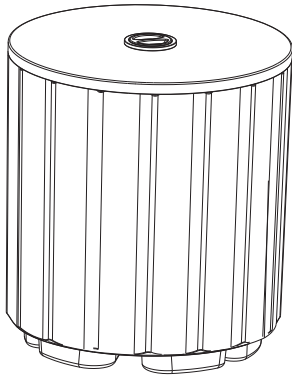


Assembly Manual for the



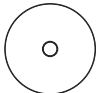






Umbrella Base



ASSEMBLY INSTRUCTION

- Prior to assembly, lay out and identify all the parts listed below.
- Tighten all nuts and bolts securely. All bolts should be hand tightened before use. Never use power tools or excessive force during assembly and tightening of bolts.

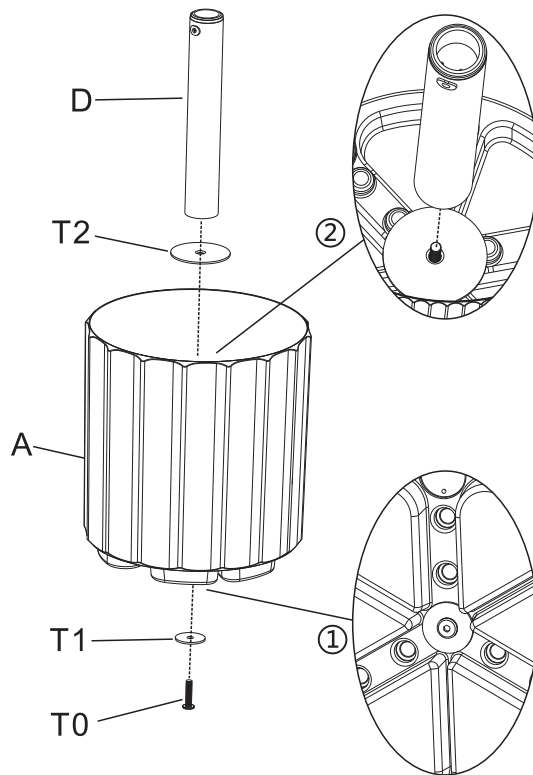
PART LIST

PART	DESCRIPTION	QTY
A	 Barrel body 1 PC	1 PC
B	 Water bag 1 PC	1 PC
C	 Bucket lid 1 PC	1 PC
D	 Foot tube 1 PC	1 PC
E	 Hand-tightened screw 1 PC	1 PC
F	 seal cover 1 PC	1 PC
T0	 M10*45 screw 1 PC	1 PC
T1	 External gasket 1 PC	1 PC
T2	 Internal gasket 1 PC	1 PC

1.Assemble the bucket body (Part A) and the foot tubes (Part D)

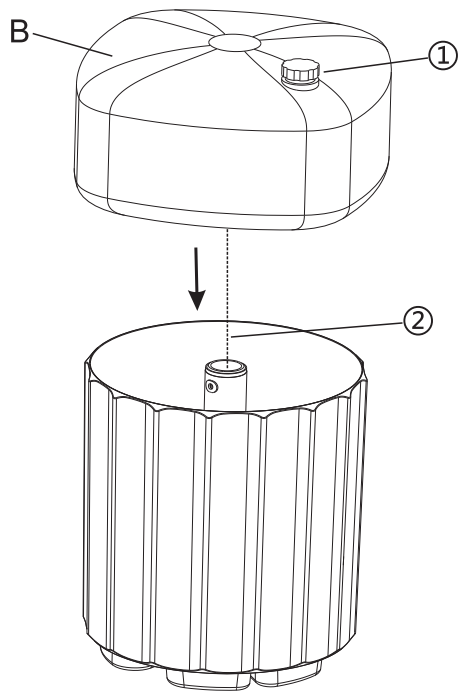
①: Slide the T0 screw through the T1 washer, then insert it into the hole at the bottom of the bucket body (Refer to the figure).

②: Slide the T2 washer onto the screw, align the foot tube with the screw, and tighten it clockwise (Refer to the figure).

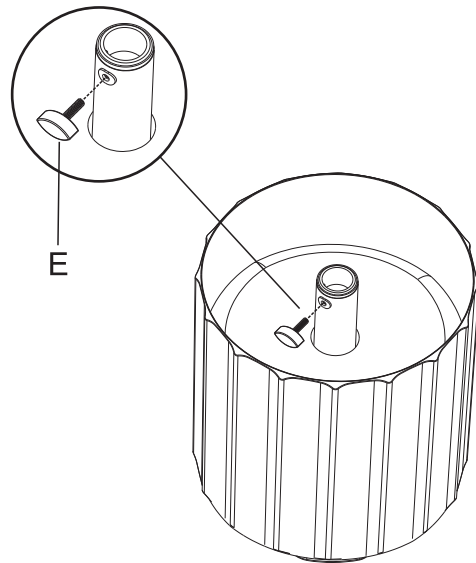


2.Assemble the water bag (Part B)

- ①: Fill the water bag with a proper amount of water,then tightly screw on the water bag cap after filling (Refer to the figure).
- ②: Pass the foot tube through the middle hole of the water bag and place it into the bucket body (Refer to the figure).

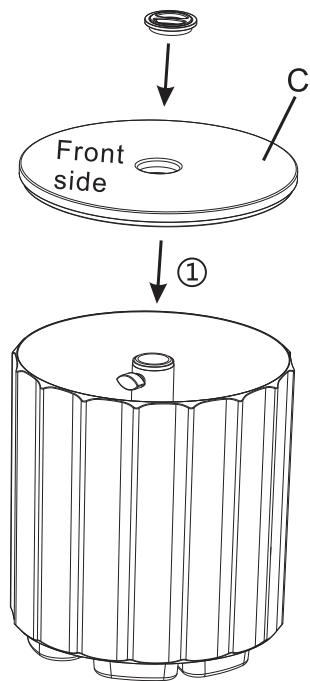


3.Screw the hand-tightened screw (Part E) in to the threaded hole on the side of the foot tube.



4. Assemble the bucket lid (Part C)

①: Keep the front side of the bucket lid facing up, then place it onto the bucket opening (Refer to the figure).



5. Assembly of the umbrella base is complete.

