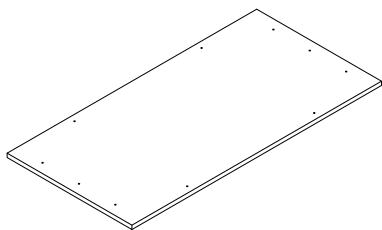
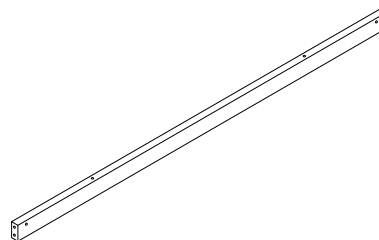


READ AND SAVE THIS INSTRUCTION FOR FUTURE USE

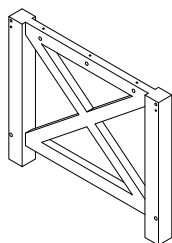
ASSEMBLY INSTRUCTION



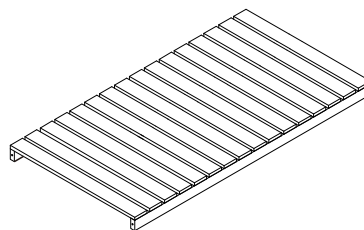
1x1



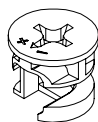
2x2



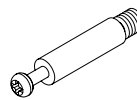
3x2



4x1



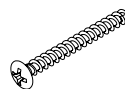
Ax6



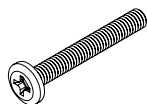
Bx6



Cx4



Dx4



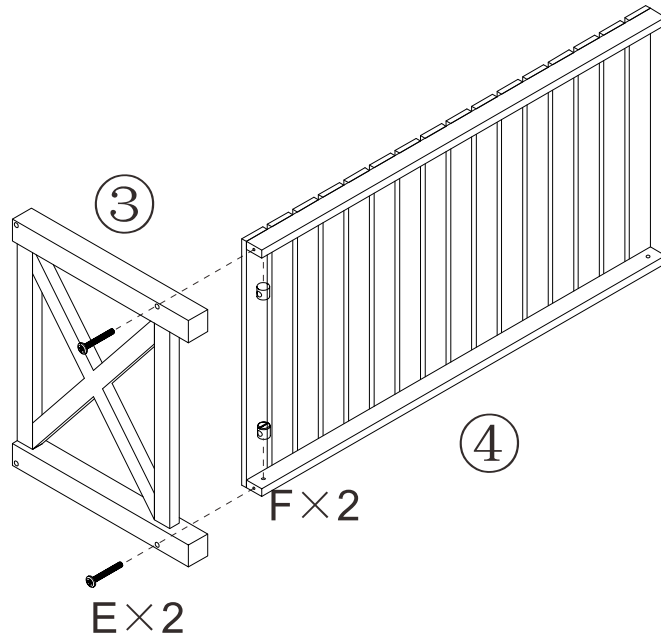
Ex8



Fx8

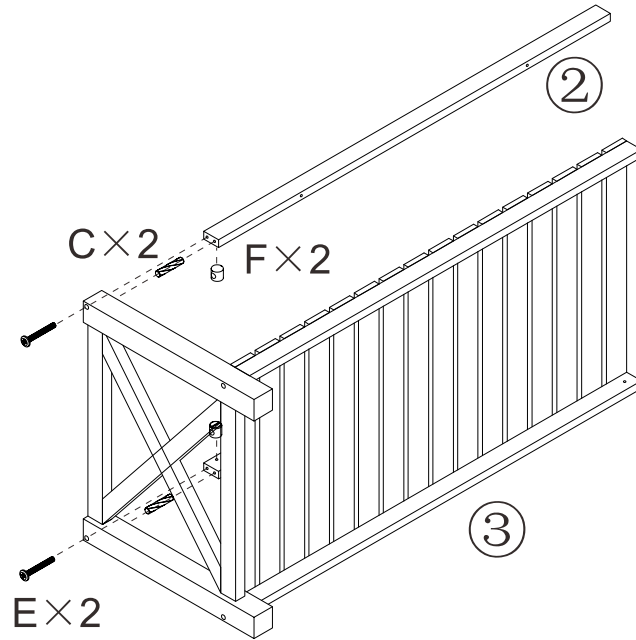
E x 2
F x 2

01



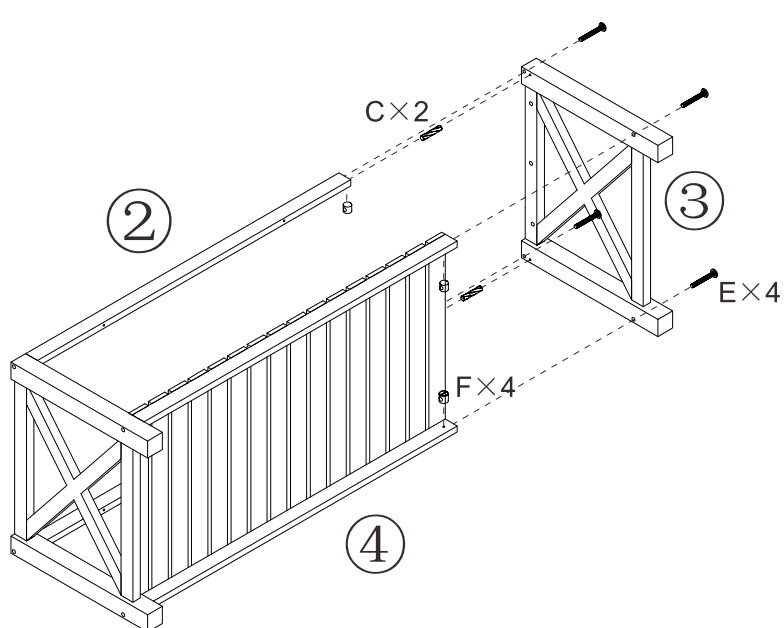
C x 2
E x 2
F x 2

02



C x 2
E x 4
F x 4

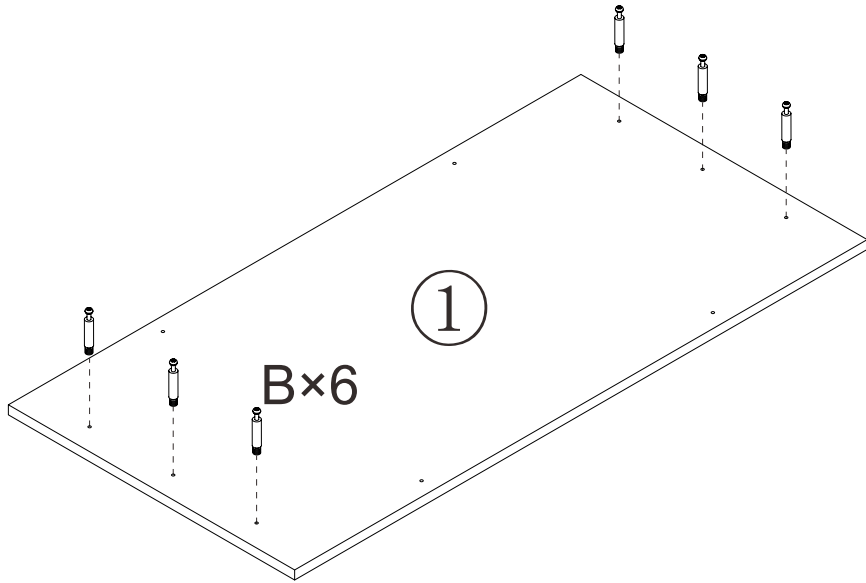
03



2

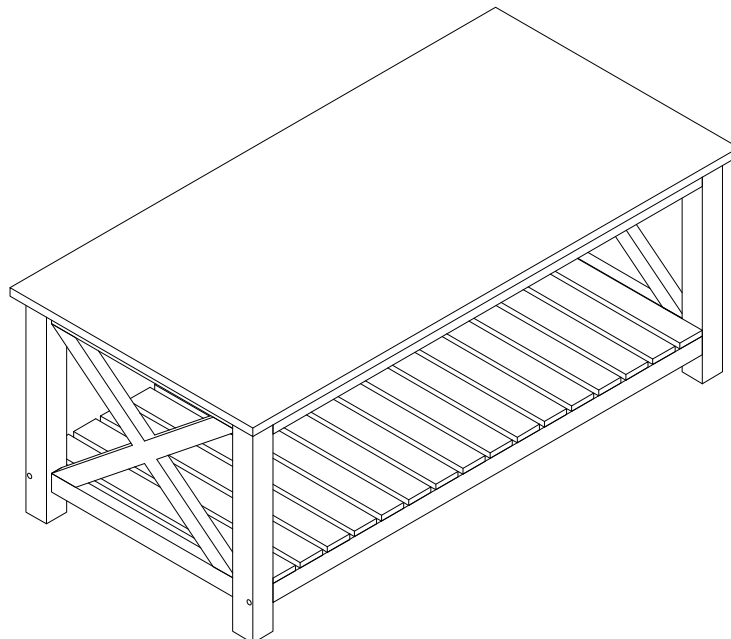
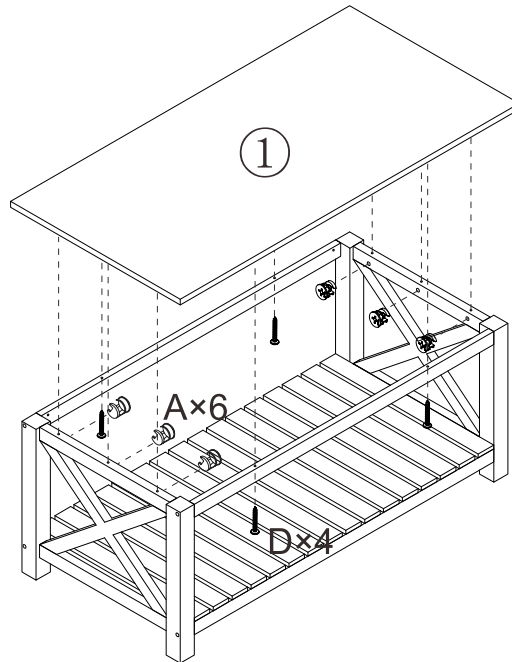
Bx6

04



Ax6
Dx4

05



Done

3