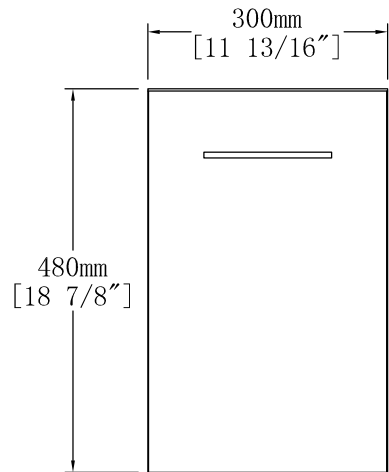
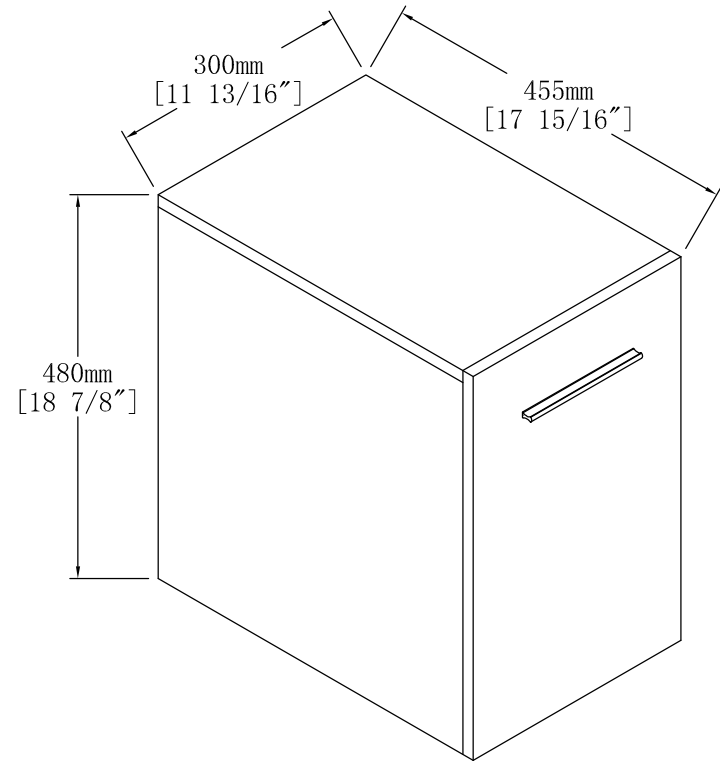
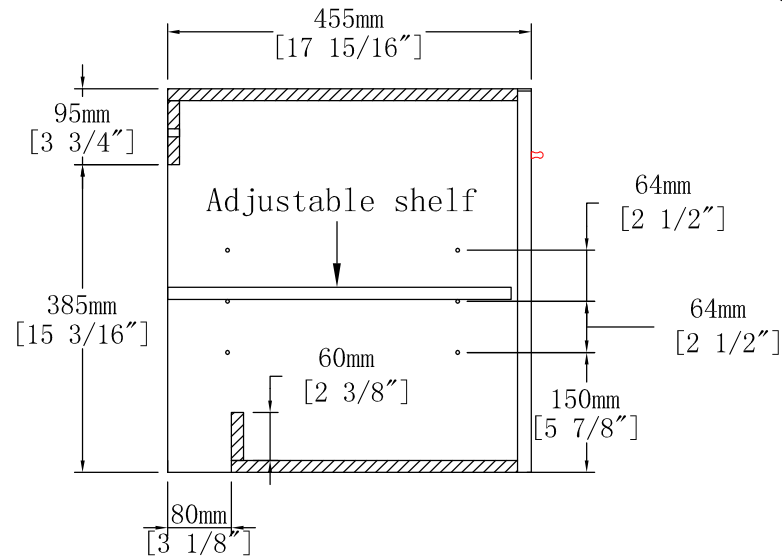


Top View



Front View



Side View

| | | | | |
|--|----------|------------------|---------|------------|
| | Item NO. | UNOR SV 006W 12S | Version | V1 |
| | Project | | Date | 2025-11-11 |