

# Assembly Directions for 44" Square & 33"x66" Rectangle Tables

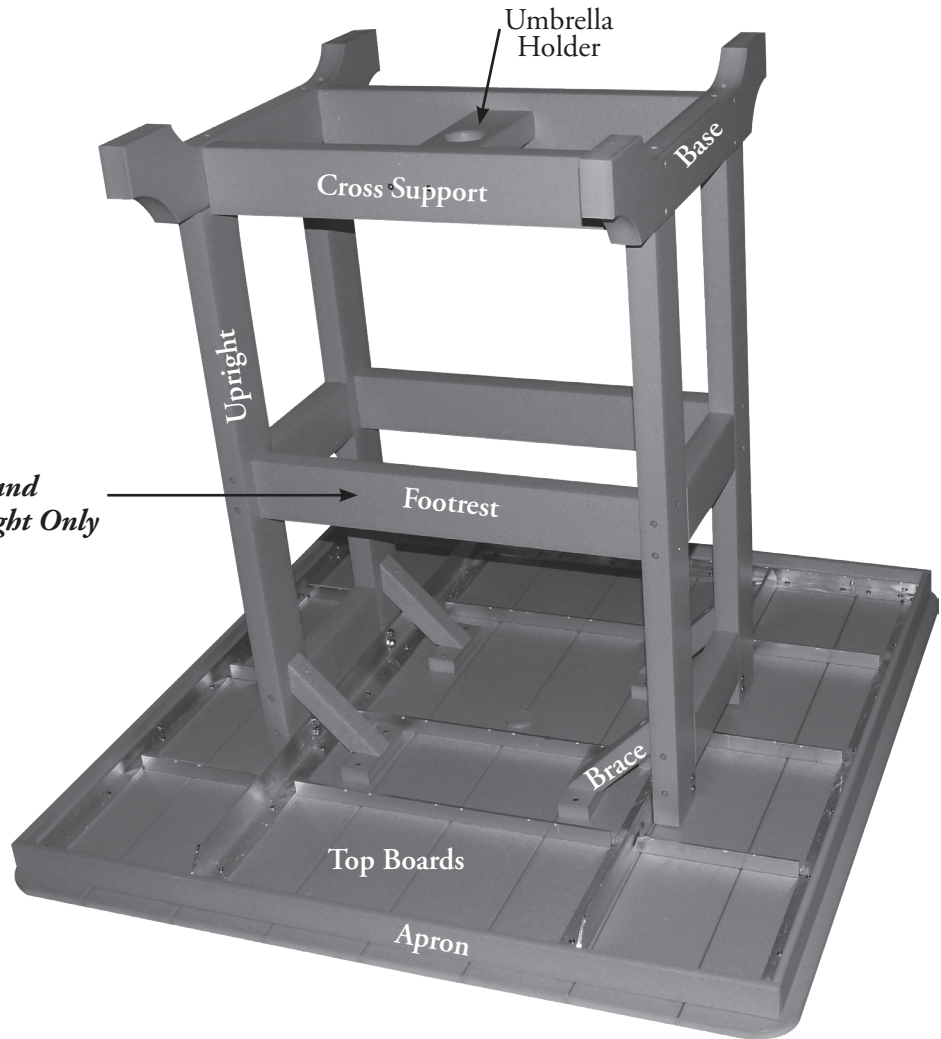
in Garden Classic Collection

#GCLT0044D, #GCLT0044C, #GCLT0044B


#GCRT3366D, #GCTR3366C, GCRT33B



*Garden Classic Table*



NOTE: *Bar and Counter Height Only*

  
Be sure to use 1½" screws when fastening braces.

### PACKAGE CONTENTS

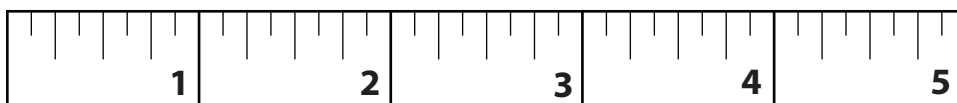
- 1 Top
- 2 Bases
- 1 Cross Support
- 2 Footrests (Bar and Counter Height Only)
- 4 Braces
- 1 Hardware Package

### HARDWARE PACKAGE

- 8 ¼" x 2" Allen Head Bolts
- 8 ¼" Flange Nuts
- 2 Umbrella Knobs
- 16 3" Screws
- 12 1½" Screws
- 1 Allen Wrench

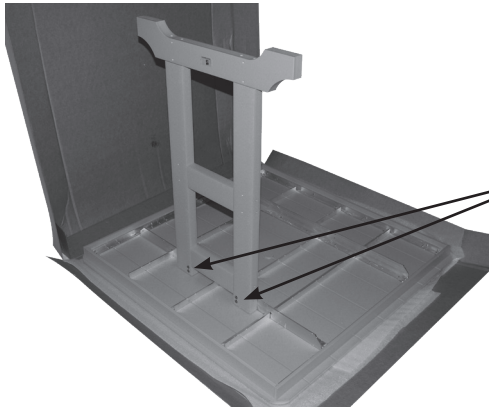
### TOOLS NEEDED:

- Hammer
- 7/16" Wrench
- Cordless Drill/Screwdriver
- Allen Wrench (Included)



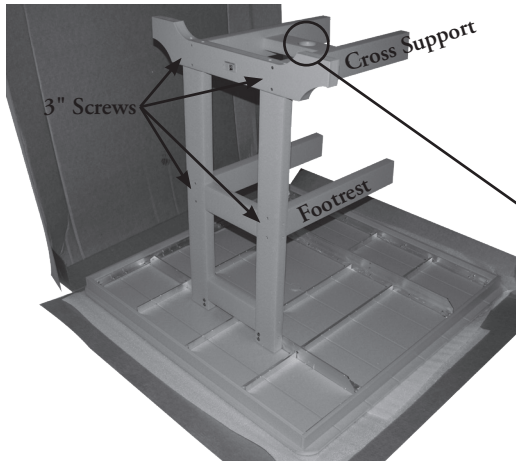
Use to measure bolts





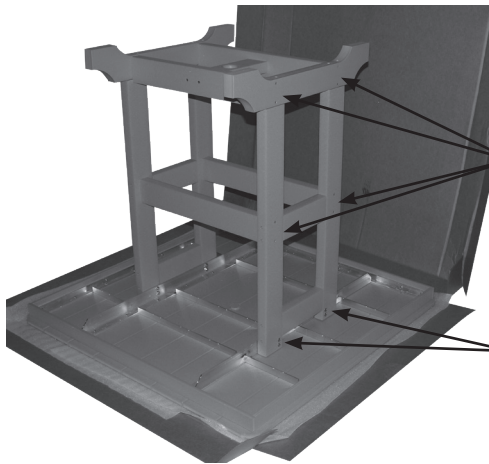
STEP #1 - Fasten a Base to the aluminum frame of the Top using  $\frac{1}{4}$ " x 2" Allen Head Bolts.

$\frac{1}{4}$ " x 2" Allen Head Bolts



STEP #2 - First fasten the Cross Support to the Base using 3" Screws. Second fasten the two Footrests to the Upright using 3" Screws (Bar and Counter height only).

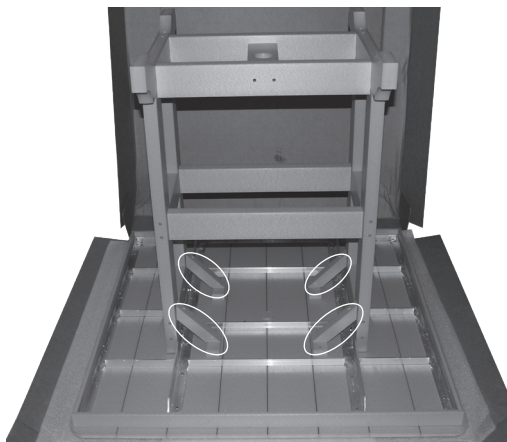
Umbrella Knobs



STEP #3 - First fasten the second Base to the aluminum frame of the Top using  $\frac{1}{4}$ " x 2" Allen Head Bolts. Second fasten the Cross Support and Footrests to the Base using 3" Screws.

3" Screws

$\frac{1}{4}$ " x 2" Allen Head Bolts



STEP #4 - First fasten the Braces to the Top using  $1\frac{1}{2}$ " Screws. Second fasten the Braces to the Upright using  $1\frac{1}{2}$ " Screws. Your 44" Square Table is complete!

$1\frac{1}{2}$ " Screws (circled)