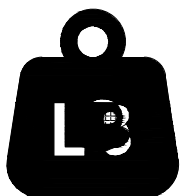


NOTE:

This brochure contains **IMPORTANT** safty info. Please read and keep for future reference.

MAINTAINANCE AND WARNING

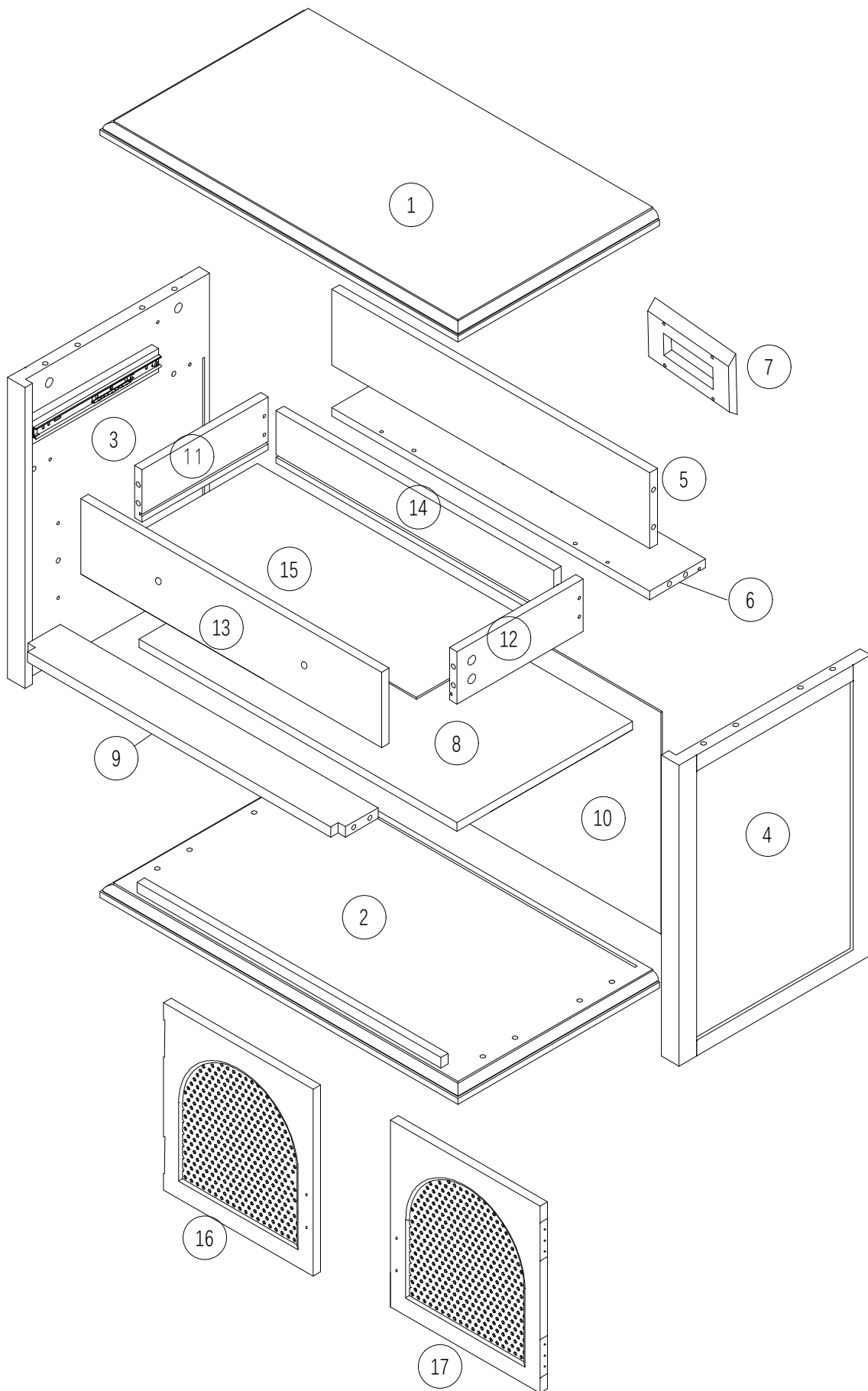
- 1.Keep furniture away from heat sources.
- 2.Do not clean furniture with harsh cleaner or polishes.Do not use detergents,solvents,abrasives,spray packs or leather cleaner. Use non-color mild soa with warm water to clean spills(Mix 1:10 soap to water).
- 3.Do not place furniture under direct sunlight,material will possibly fade over time.
- 4.Do not use on site dry cleaning machine.Children should not climb or jump on the furniture.
- 5.Do not write on furniture that is not protectedby a padded barrier.
- 6.Not for commercial use,only for residential use.



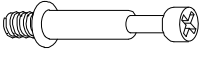

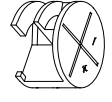
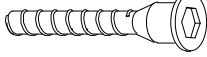

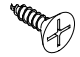
Weight Limitation


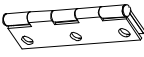
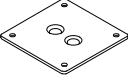
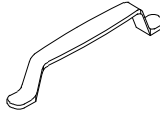
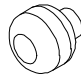
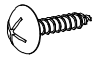
110 LBS


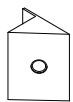

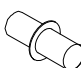

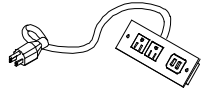
EXPLOSIVE VIEW

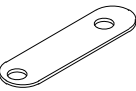
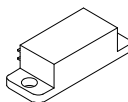
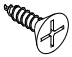
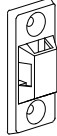
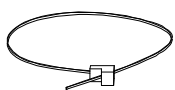



HARDWARE LIST

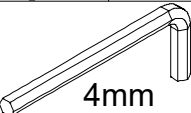
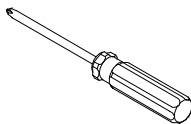
A	16PCS	B	14pcs	C	16PCS	D	12PCS	E	6PCS	F	22pcs
	6*30mm		8*30mm		15*12mm		7*40mm		4*20mm		3.5*14mm

G	14PCS	H	4PCS	I	4PCS	J	2PCS	K	2PCS	L	16PCS
	4*30mm										4*20mm

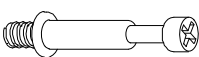

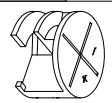
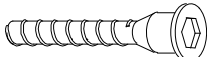
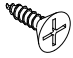

M	4PCS	N	4PCS	O	20PCS	P	4PCS	Q	2PCS	R	1PC
									250mm		




U	2PCS	V	2PCS	W	24PCS	S	4PCS	Z	2PCS	Y	4PCS
					3*16mm						

TOOL LIST

T	1PC	X	1PC
	4mm		

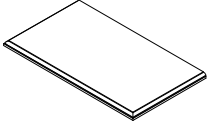
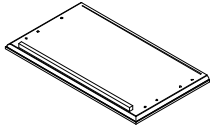
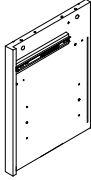
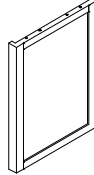
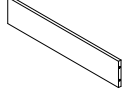
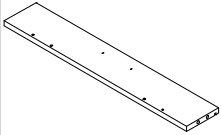
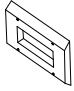
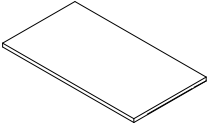
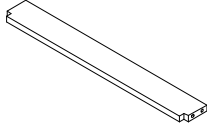
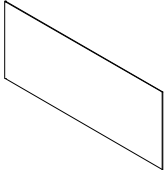
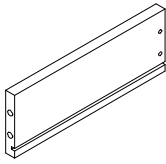
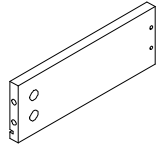
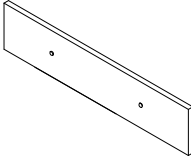
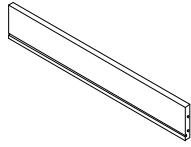
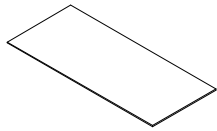
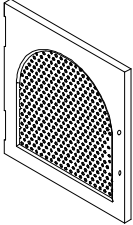
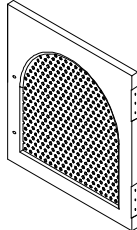
HARDWARE SPARE LIST

A	2pcs	B	2pcs	C	2pcs	D	2pcs	F	2pcs	G	2pcs
	6*30mm		8*30mm		15*12mm		7*40mm		3.5*14mm		4*30mm

L	2pcs	O	2pcs	W	2pcs
	4*20mm				3*16mm

ASSEMBLY INSTRUCTIONS

PARTS LIST

① x1 	② x1 	③ x1 	④ x1 	⑤ x1 
⑥ x1 	⑦ x1 	⑧ x1 	⑨ x1 	⑩ x1 
⑪ x1 	⑫ x1 	⑬ x1 	⑭ x1 	⑮ x1 
⑯ x1 	⑰ x1 			

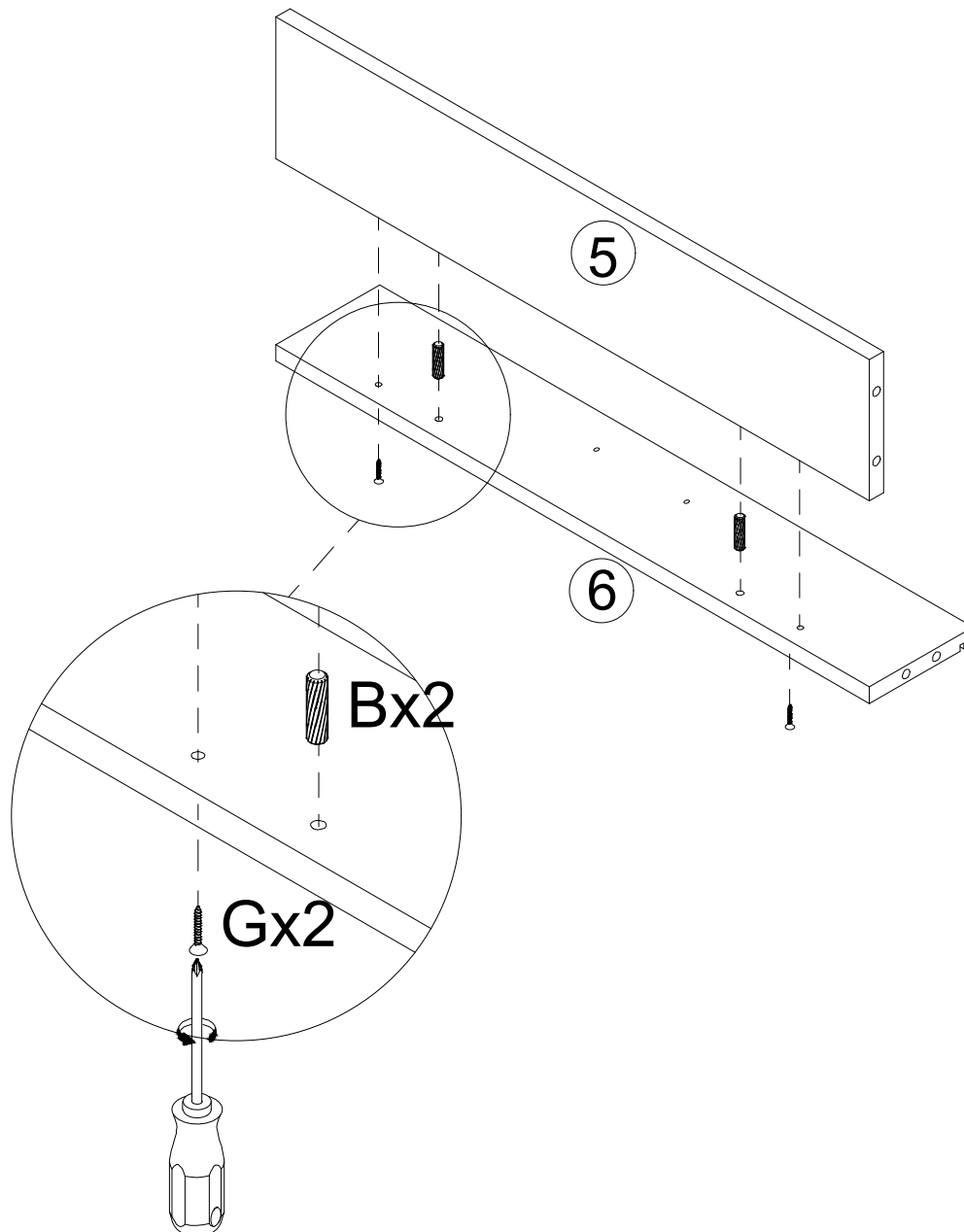
ASSEMBLY INSTRUCTIONS

STEP-1

Connect the part 6# with part 5#

insert wooden dowel B in part 6#

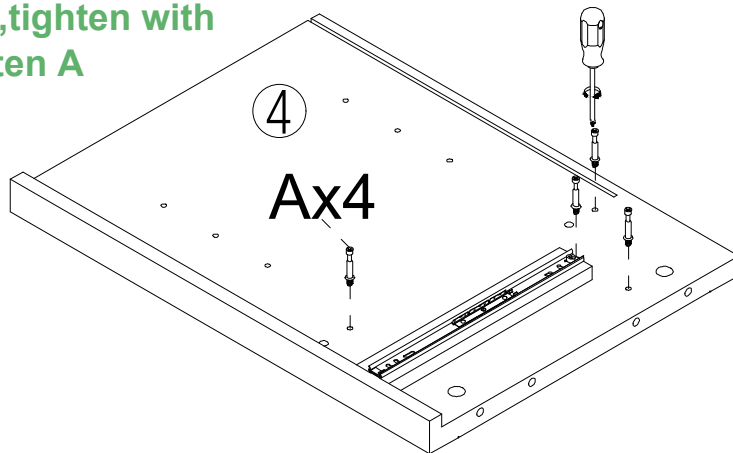
A lign the holes, tighten G with a screwdriver X.



ASSEMBLY INSTRUCTIONS

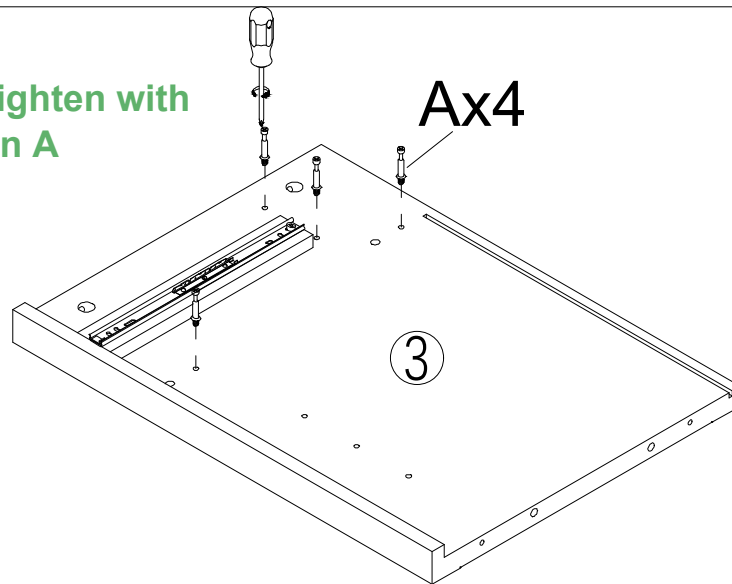
STEP-2

Prepare for part 4#,tighten with screwdriver X tighten A



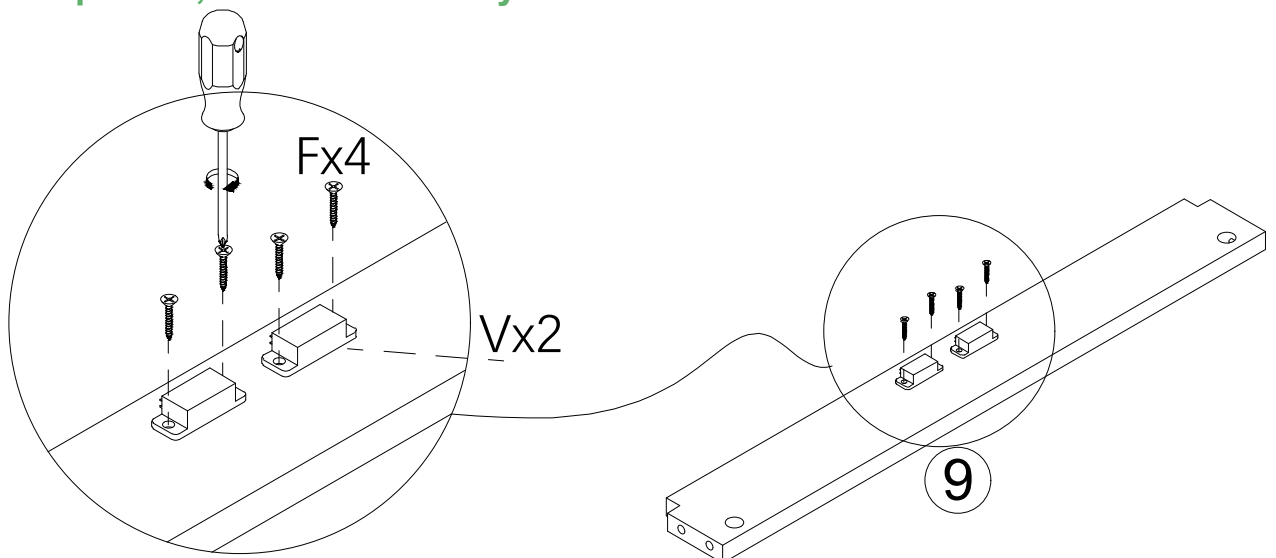
STEP-3

Prepare for part 3#,tighten with screwdriver X tighten A



STEP-4

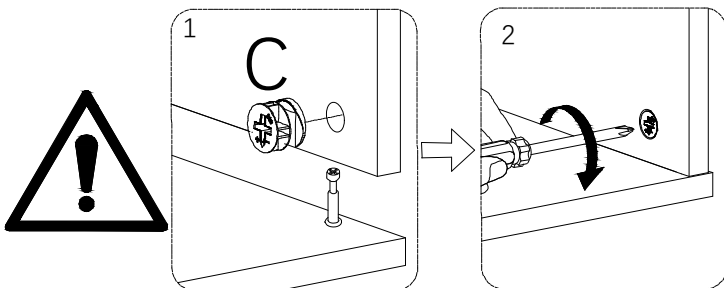
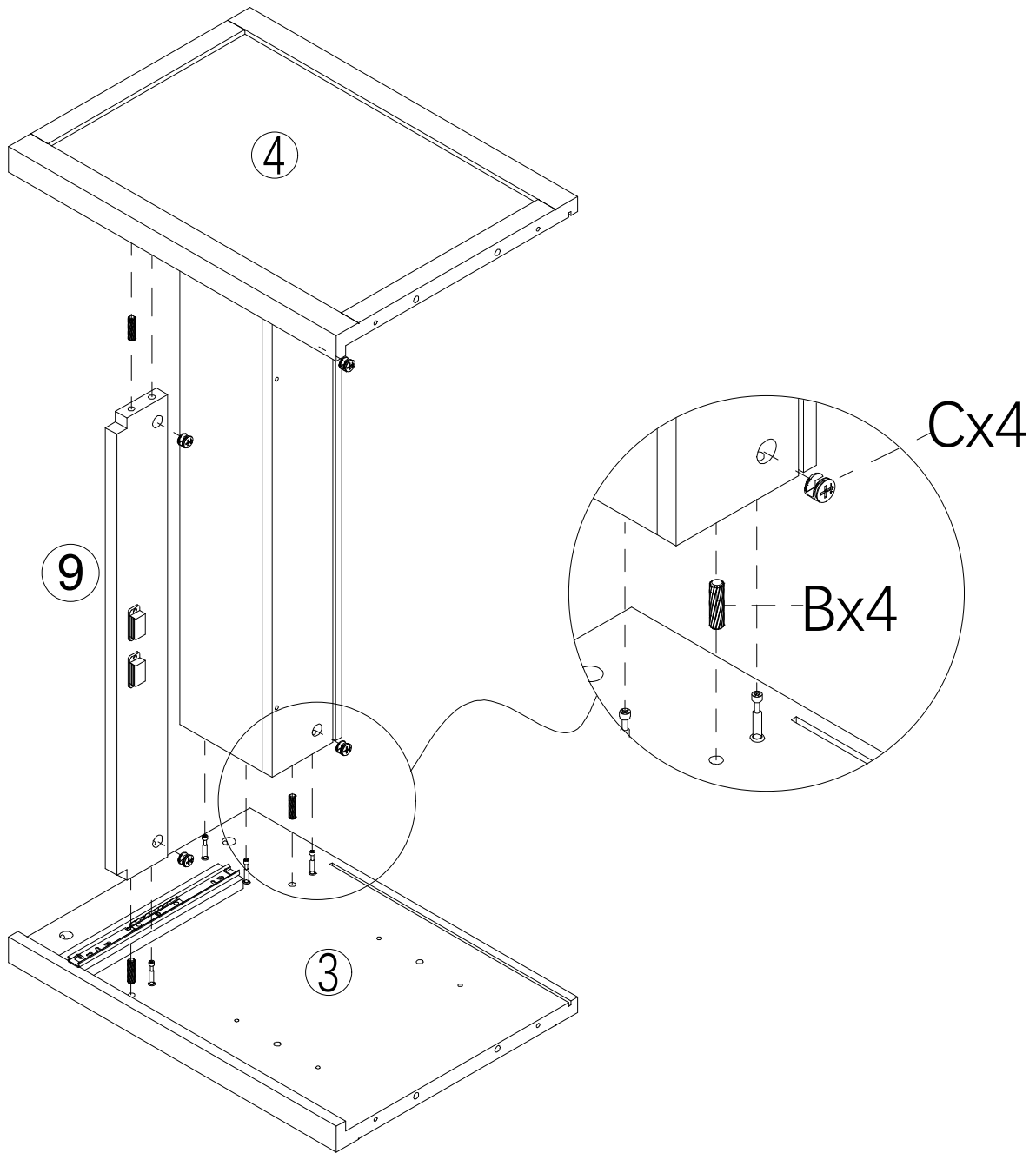
Prepare for part 9#,install V with F by screwdriver X



ASSEMBLY INSTRUCTIONS

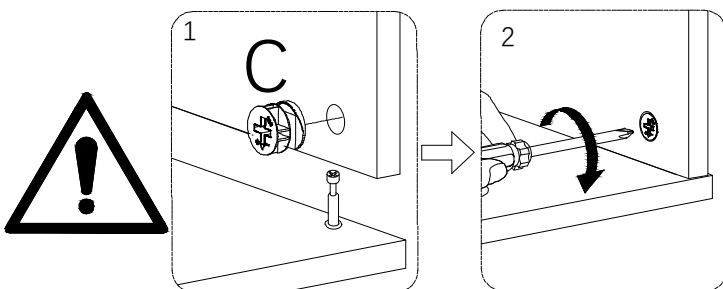
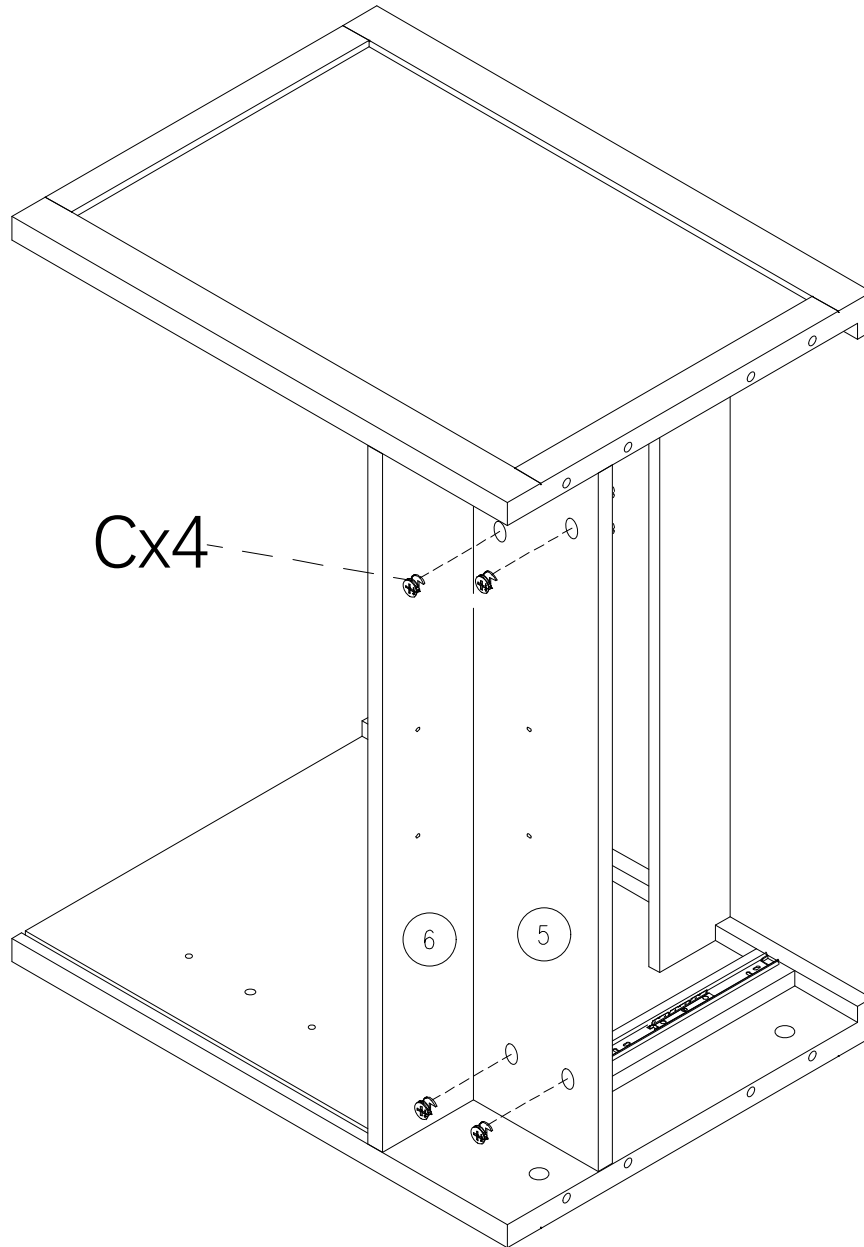
STEP-5

Connect the part 3# ,part 4# with part 5# &6# ,9# .



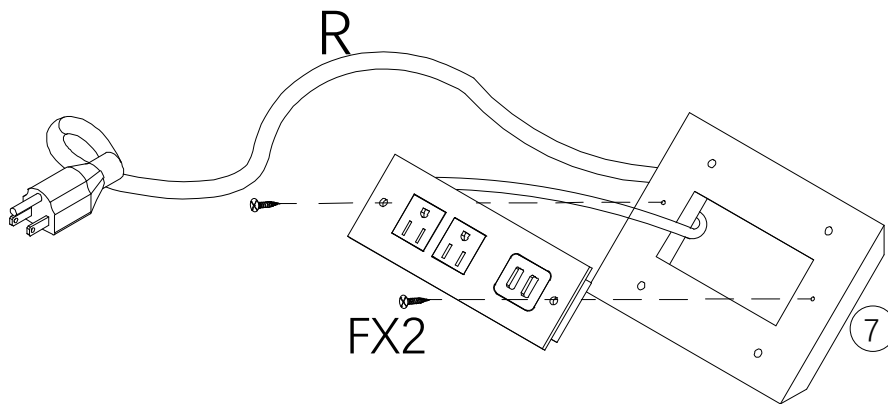
ASSEMBLY INSTRUCTIONS

STEP-6

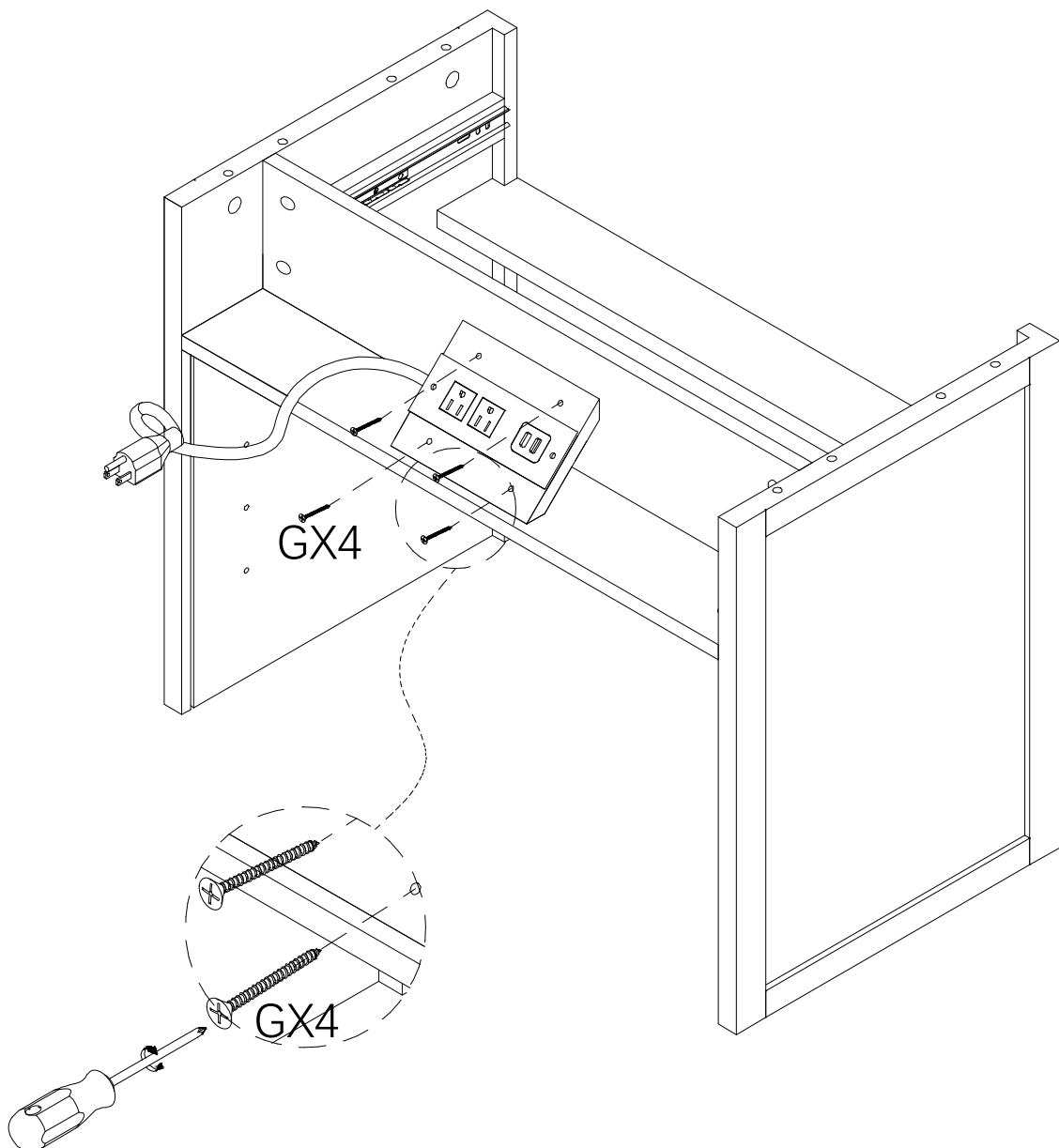


ASSEMBLY INSTRUCTIONS

STEP-7

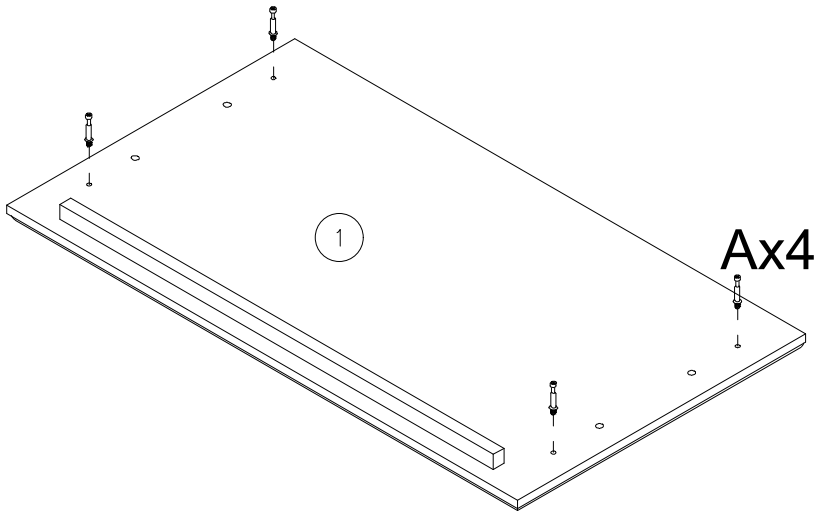


STEP-8

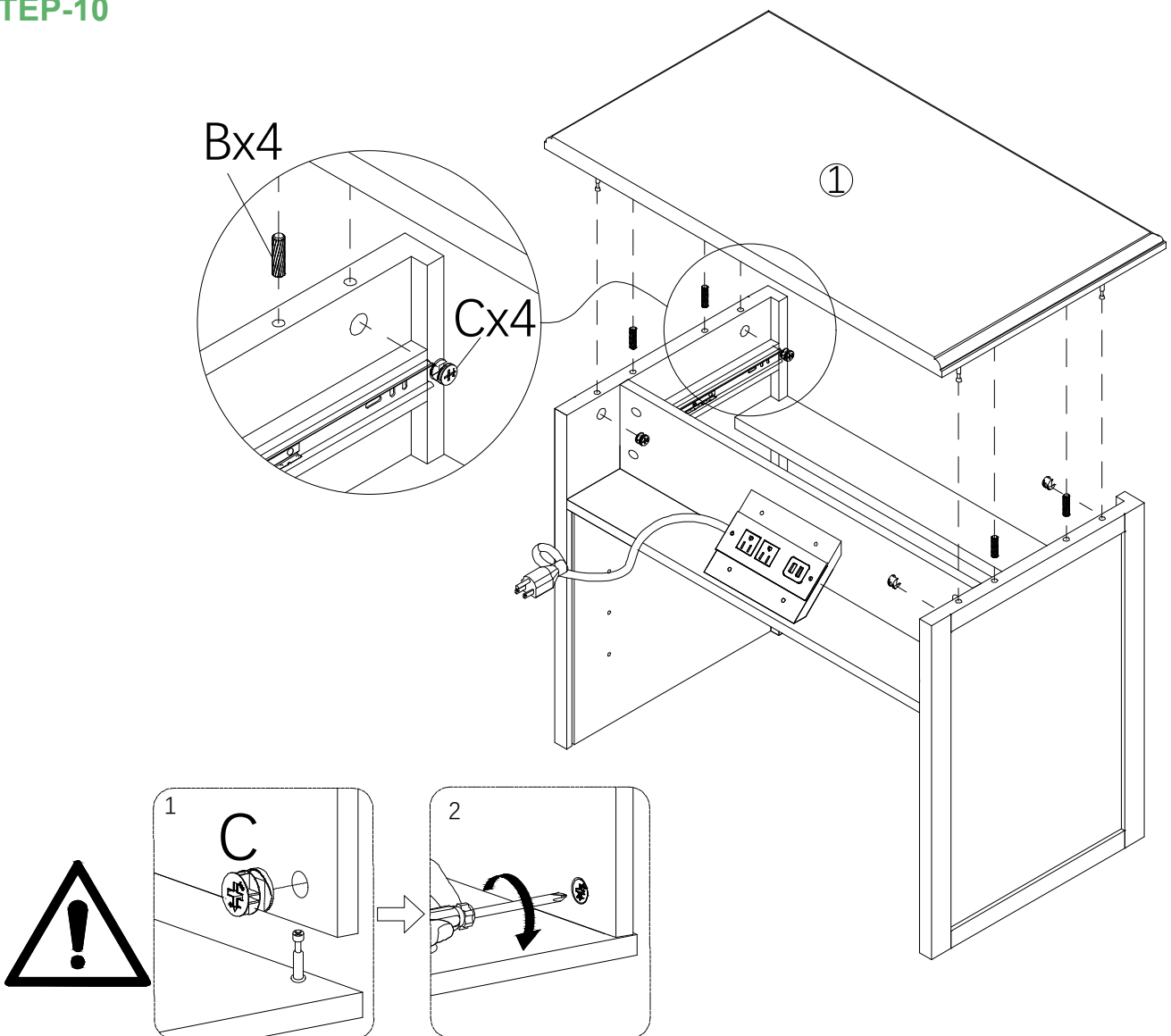


ASSEMBLY INSTRUCTIONS

STEP-9



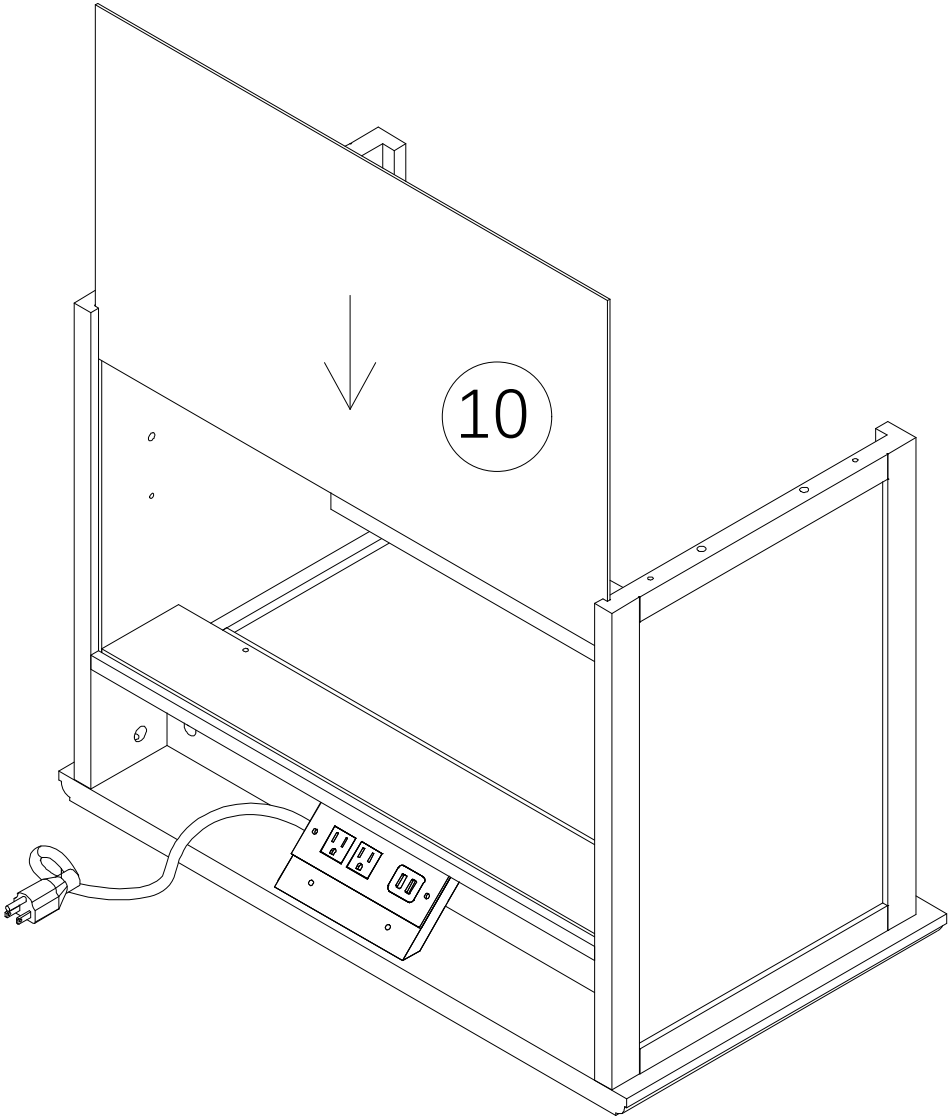
STEP-10



ASSEMBLY INSTRUCTIONS

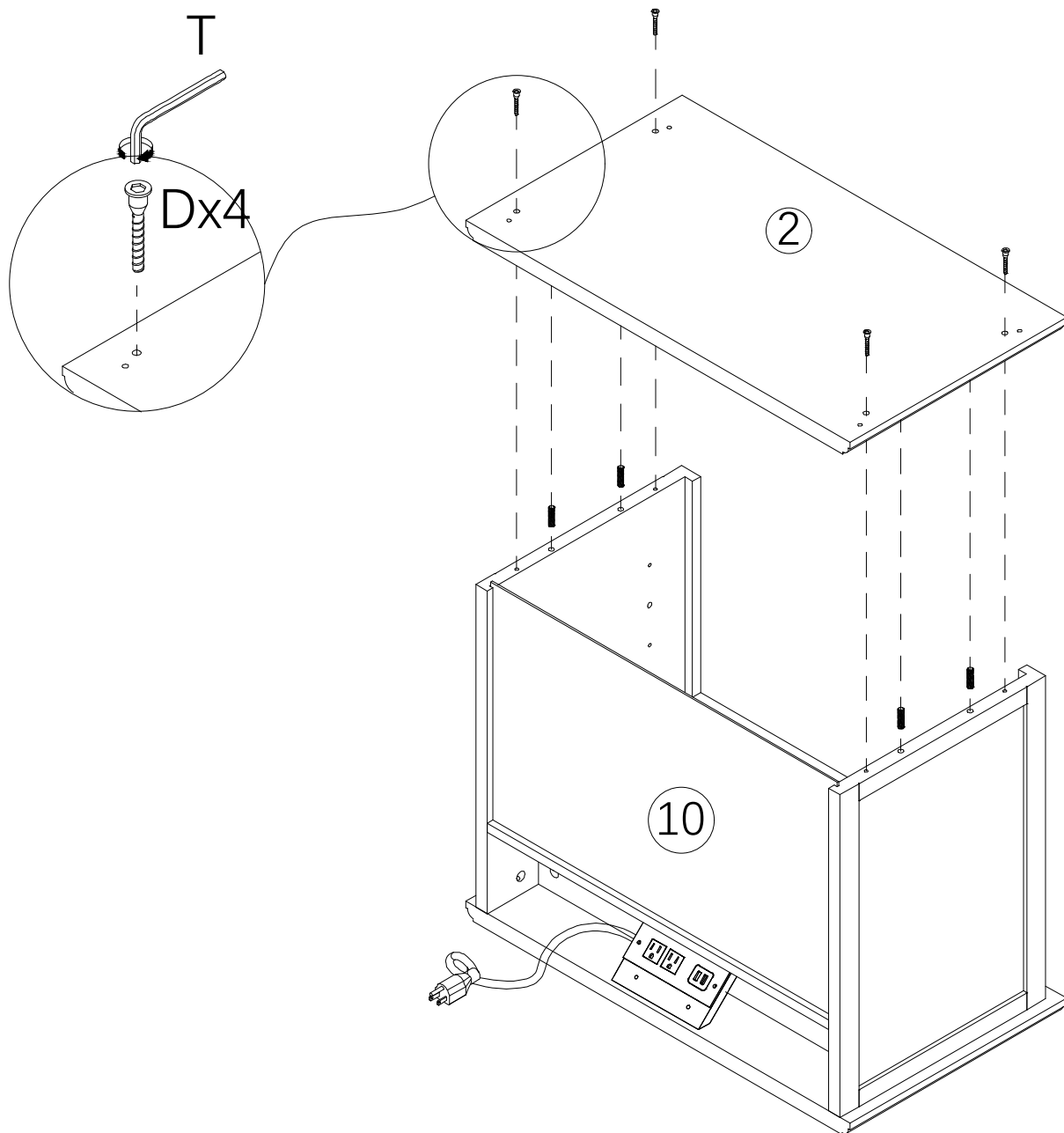
STEP-11

Slide in the part 10# into the groove in part 3#&4#.



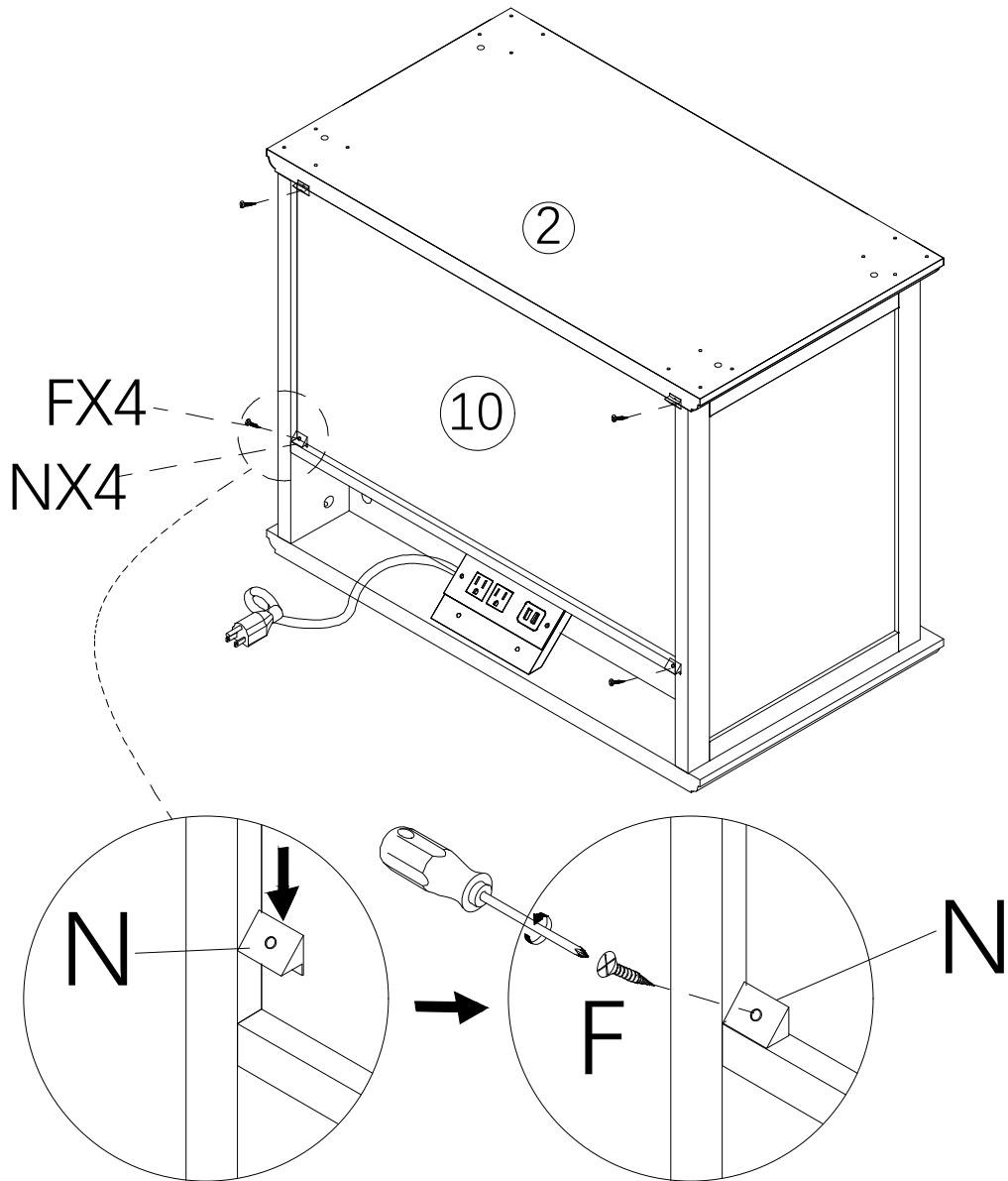
ASSEMBLY INSTRUCTIONS

STEP-12



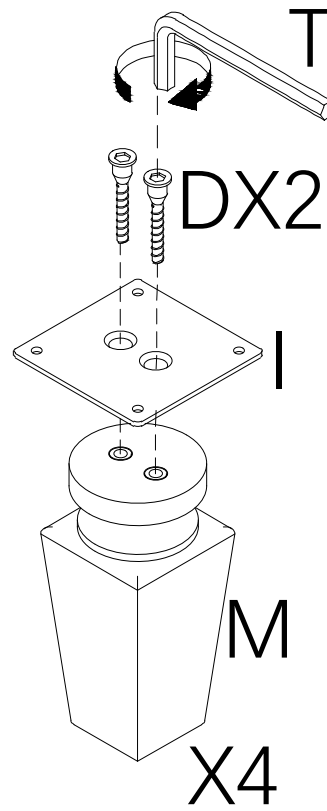
ASSEMBLY INSTRUCTIONS

STEP-13

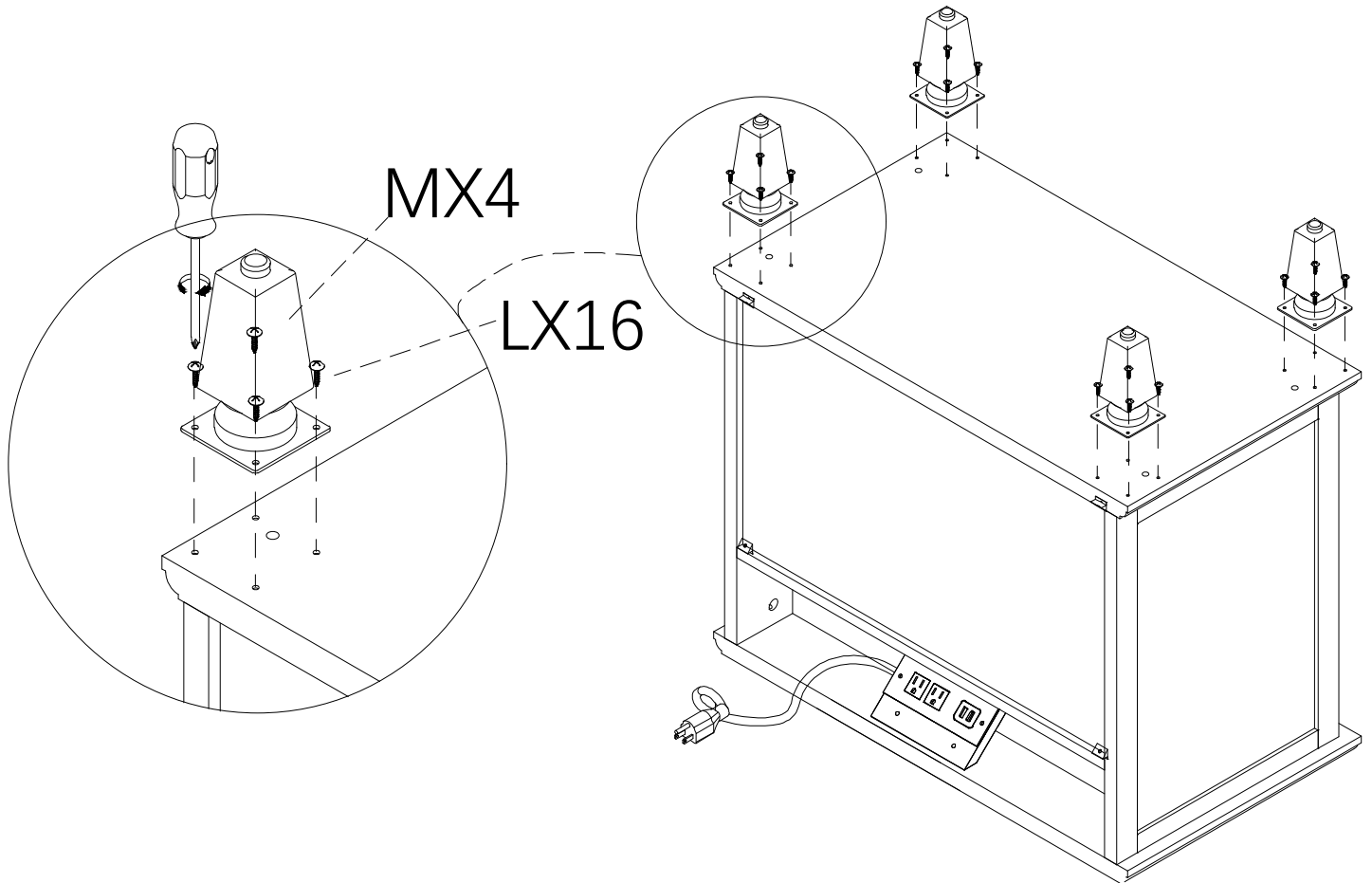


ASSEMBLY INSTRUCTIONS

STEP-14

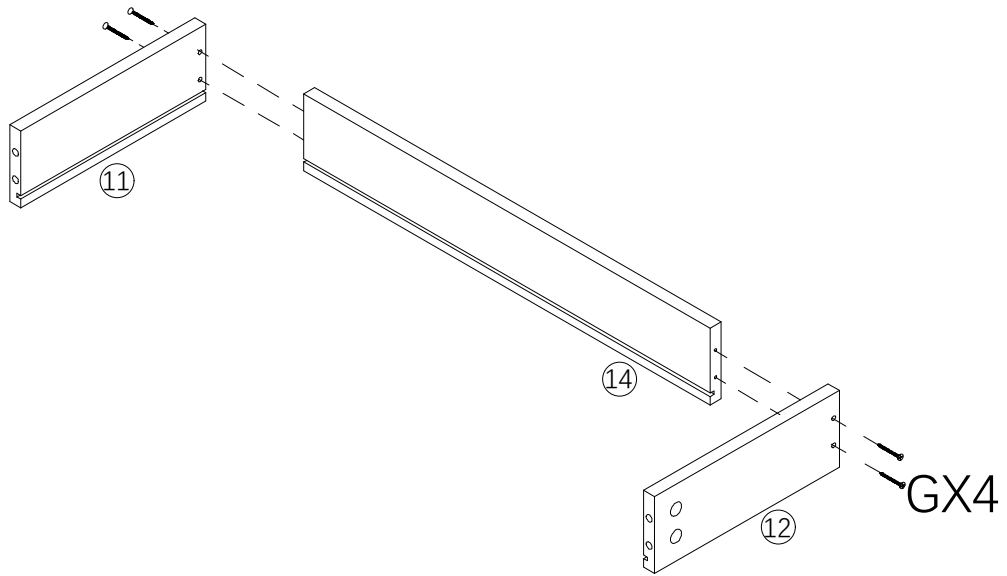


STEP-15

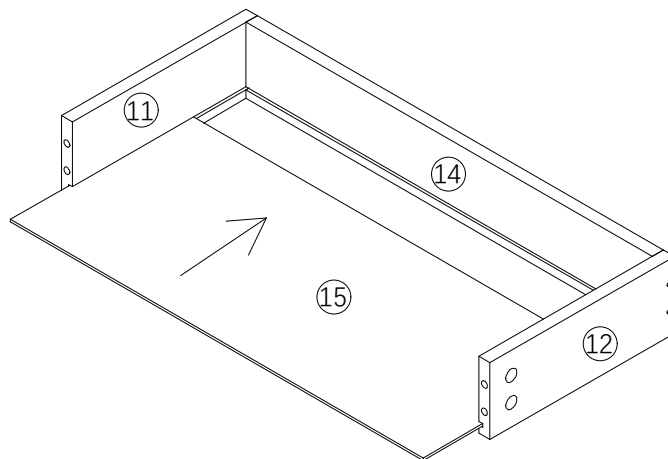


ASSEMBLY INSTRUCTIONS

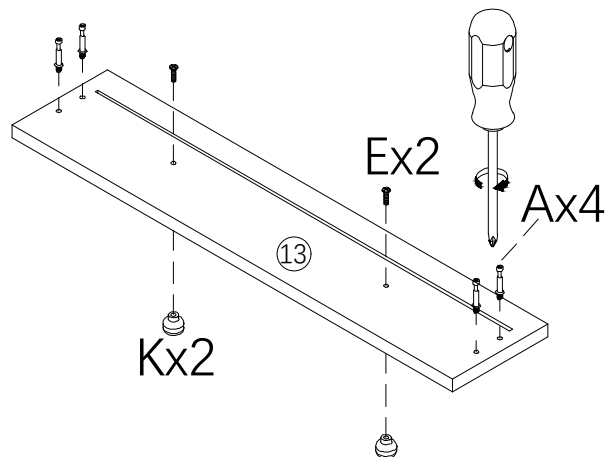
STEP-16



STEP-17

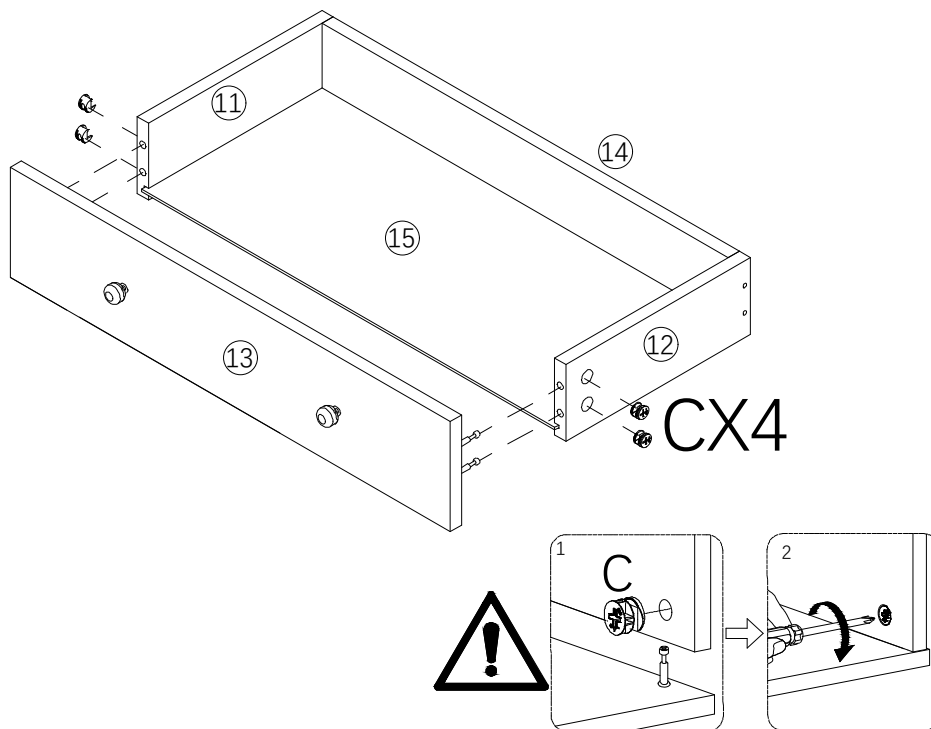


STEP-18

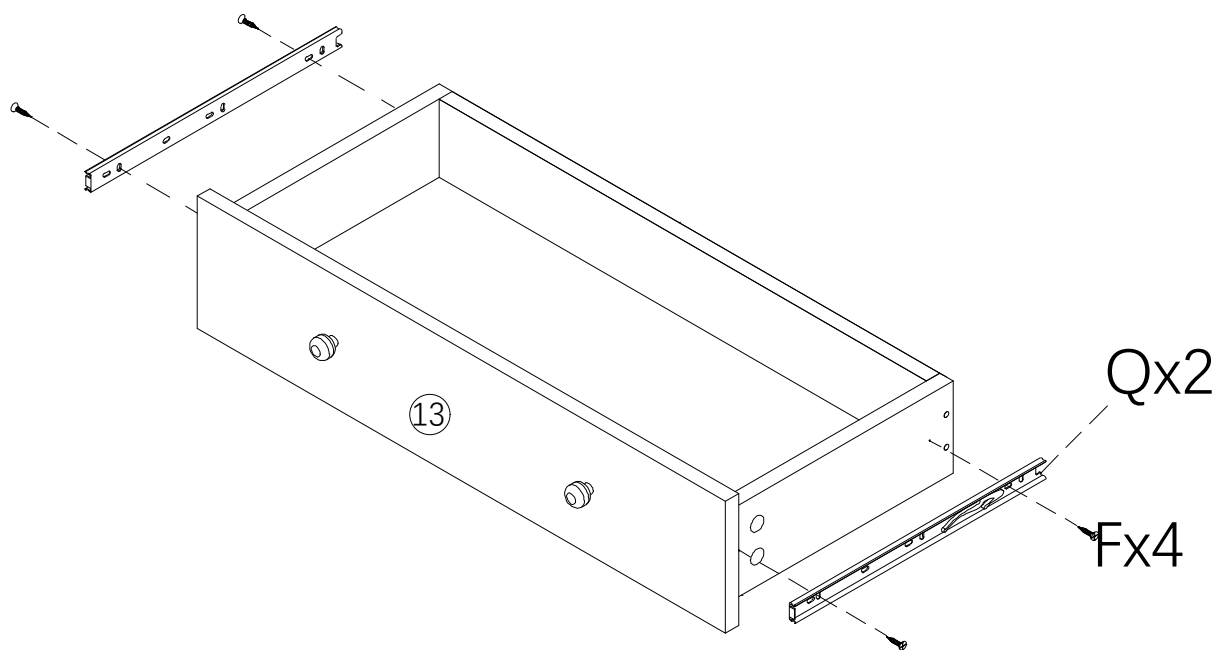


ASSEMBLY INSTRUCTIONS

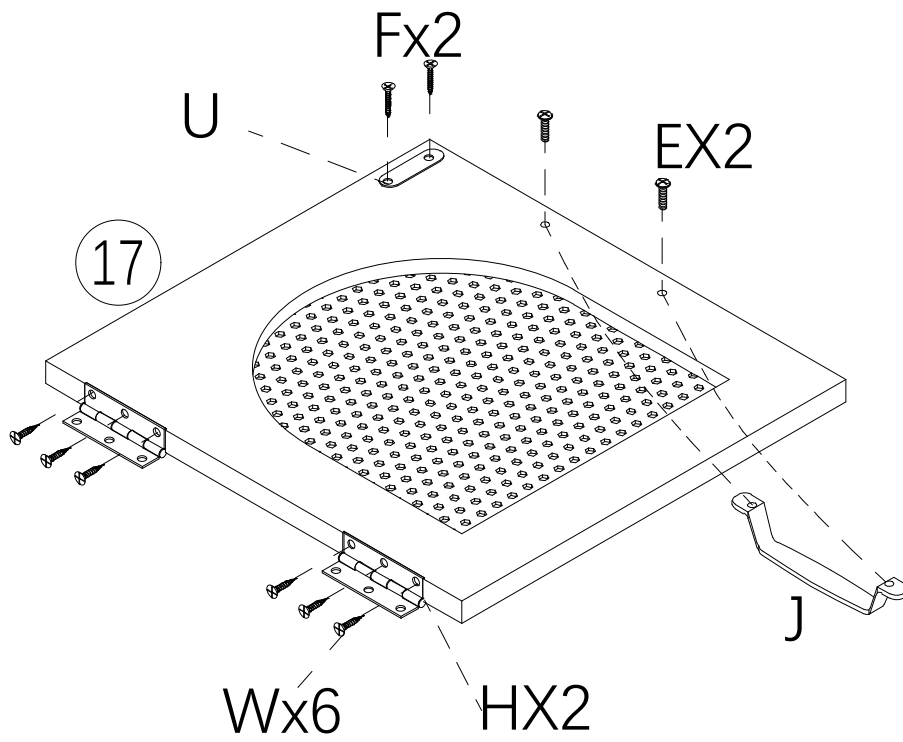
STEP-18



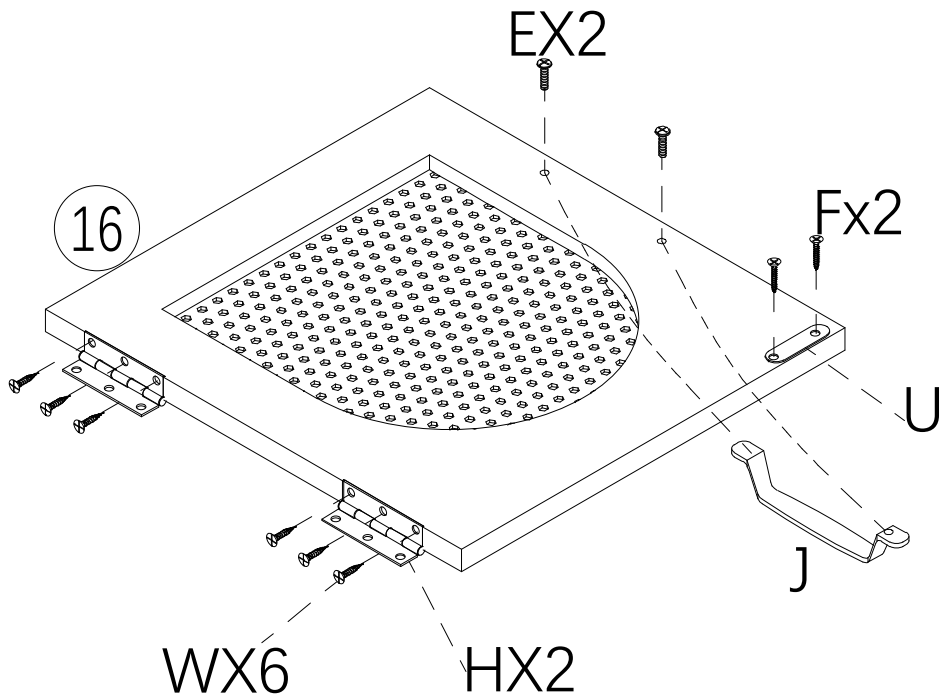
STEP-19



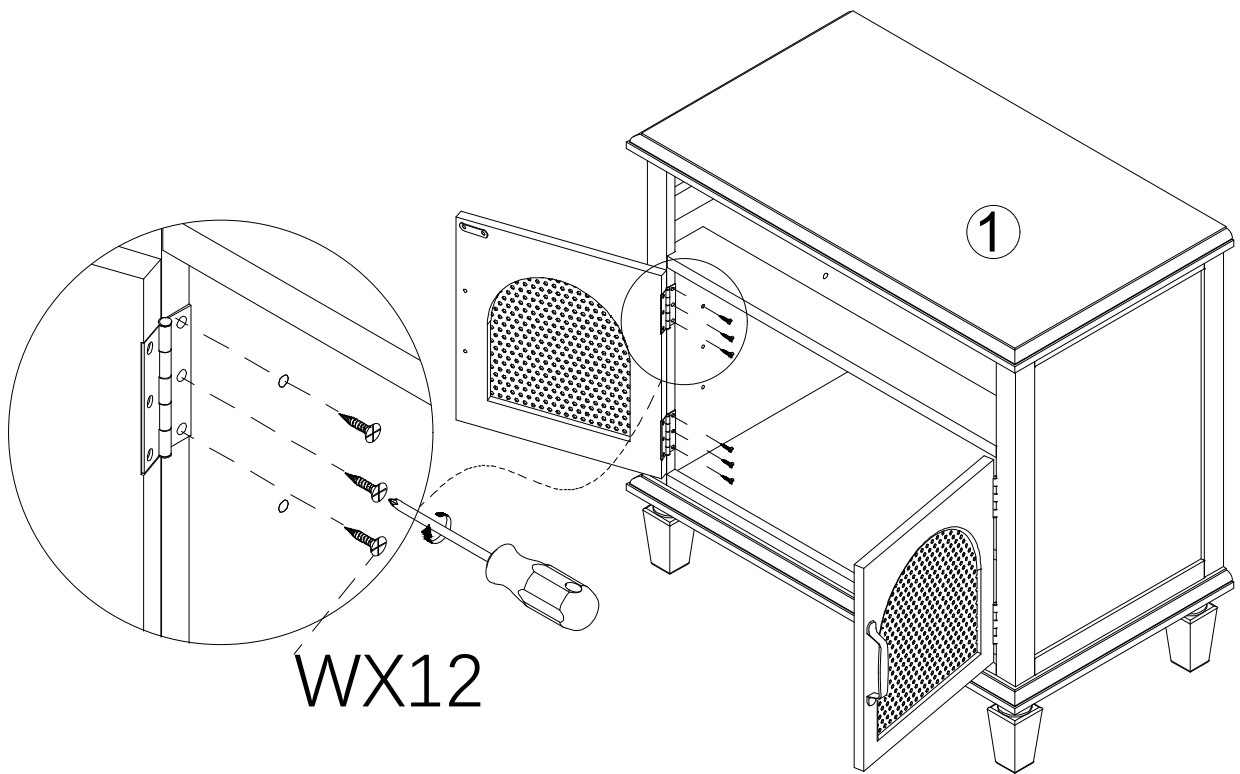
STEP-20



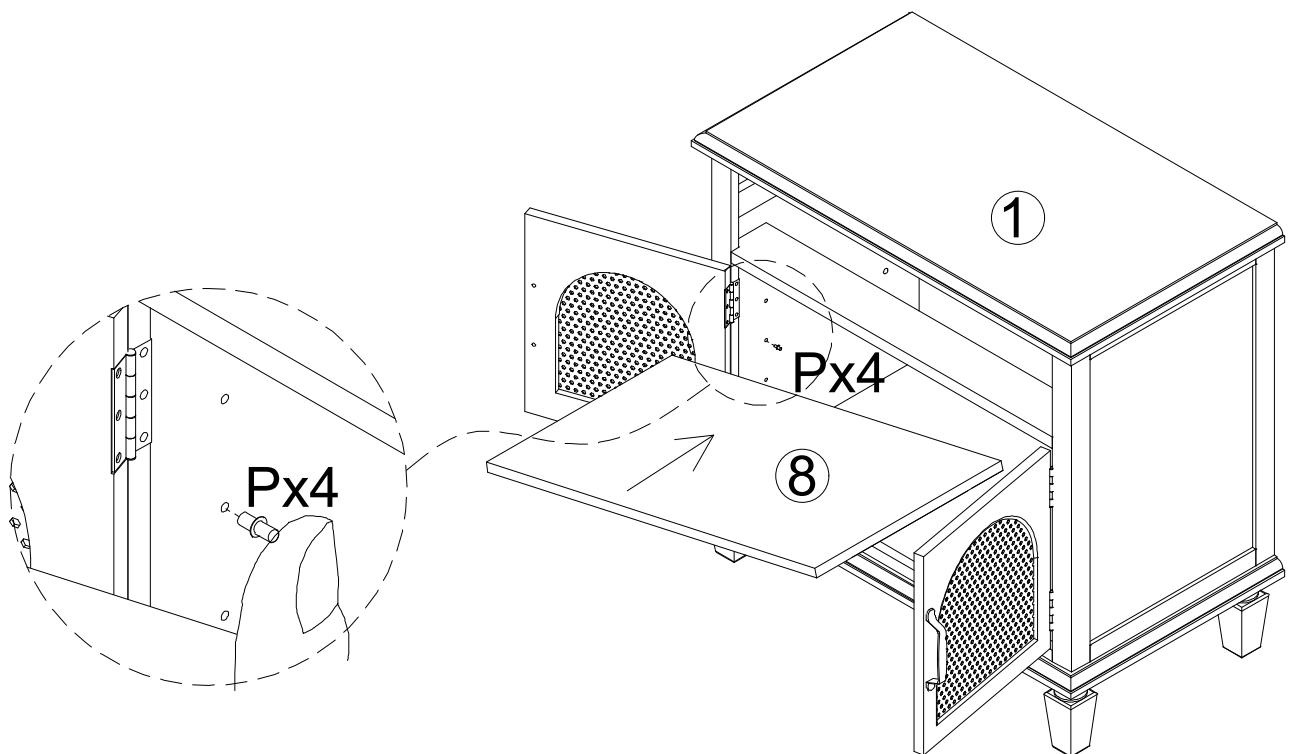
STEP-21



STEP-22

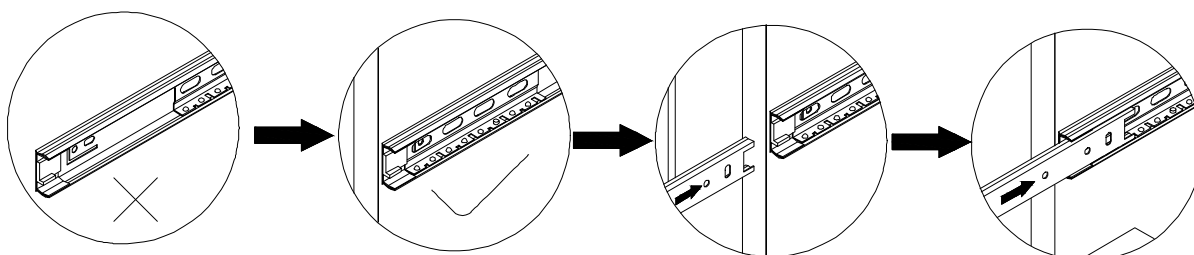


STEP-23

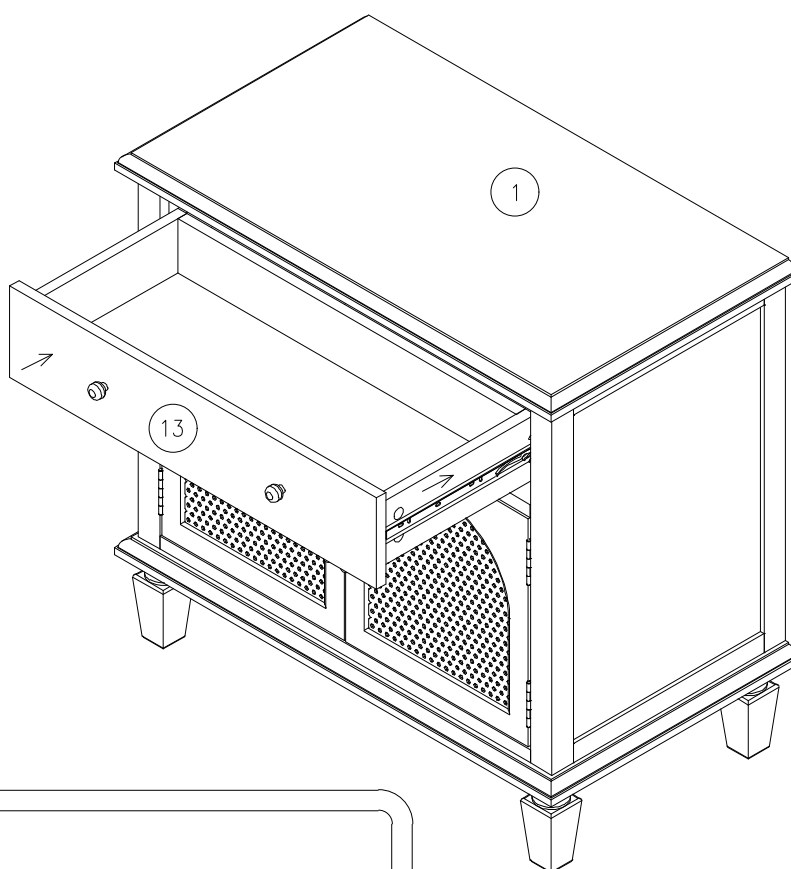


ASSEMBLY INSTRUCTIONS

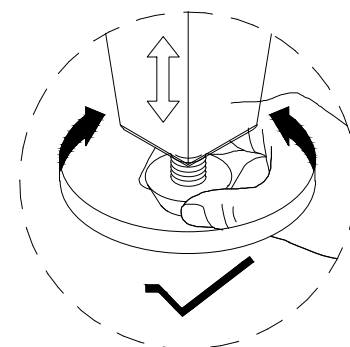
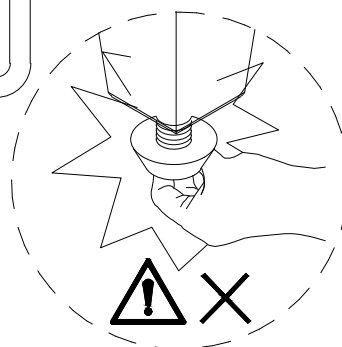
STEP-24



If you find the size of the drawer gap is not the same,
. loosen the screw a little, up and down adjustment



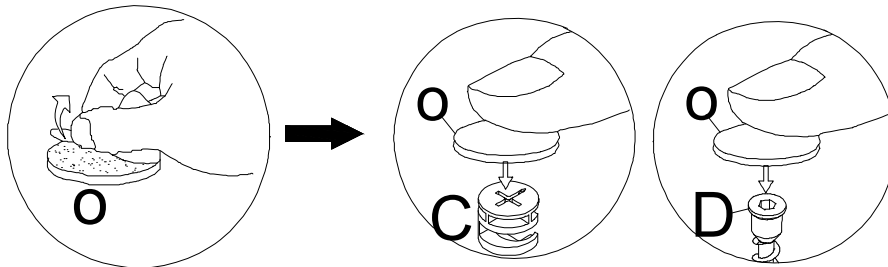
Attention
Before the next step ,adjust the
feet of the locker to keep it
level.



ASSEMBLY INSTRUCTIONS

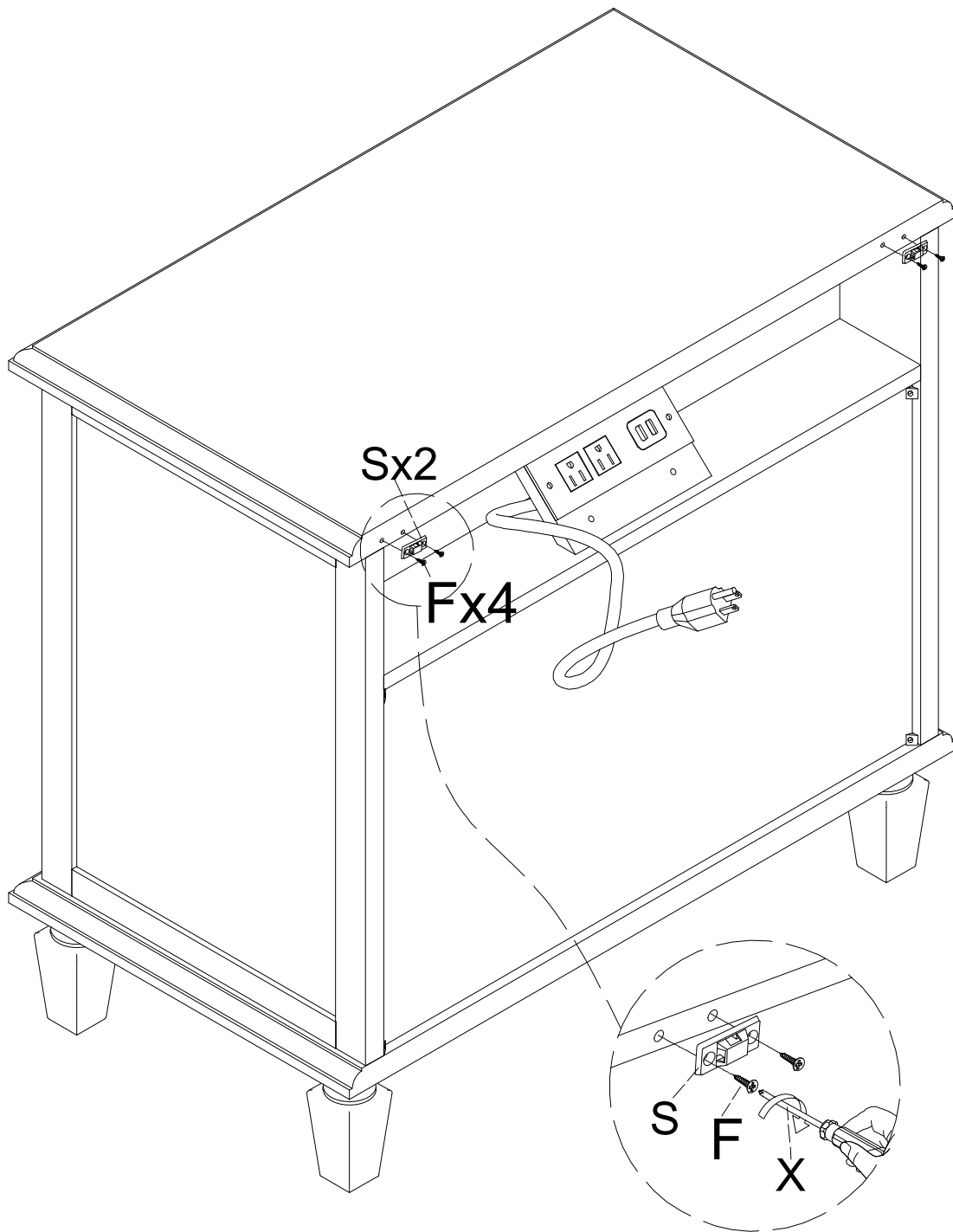
STEP-25

Cover all the screw & cam holes with O



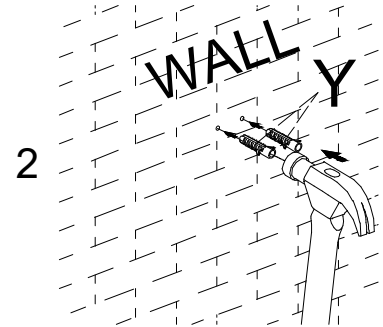
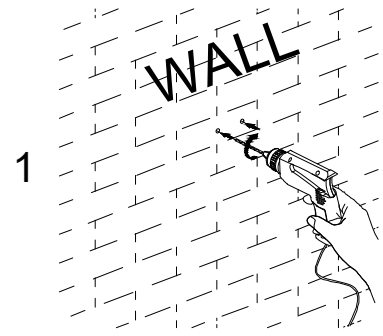
ASSEMBLY INSTRUCTIONS

STEP-26

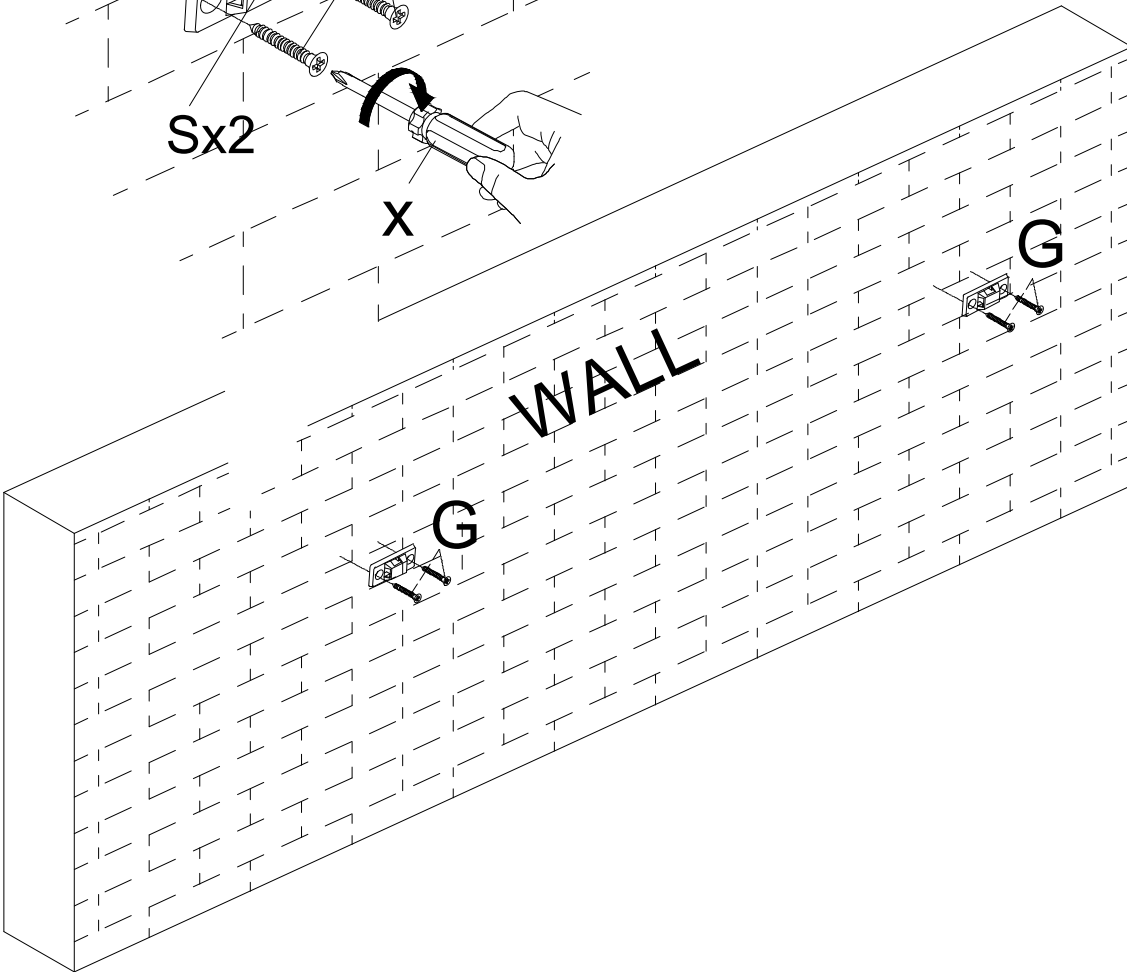
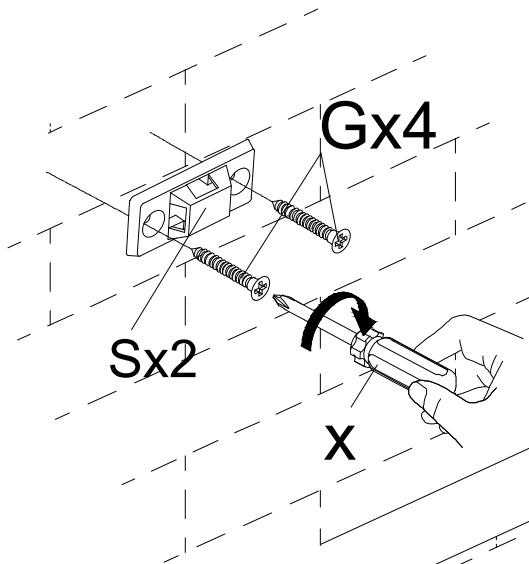


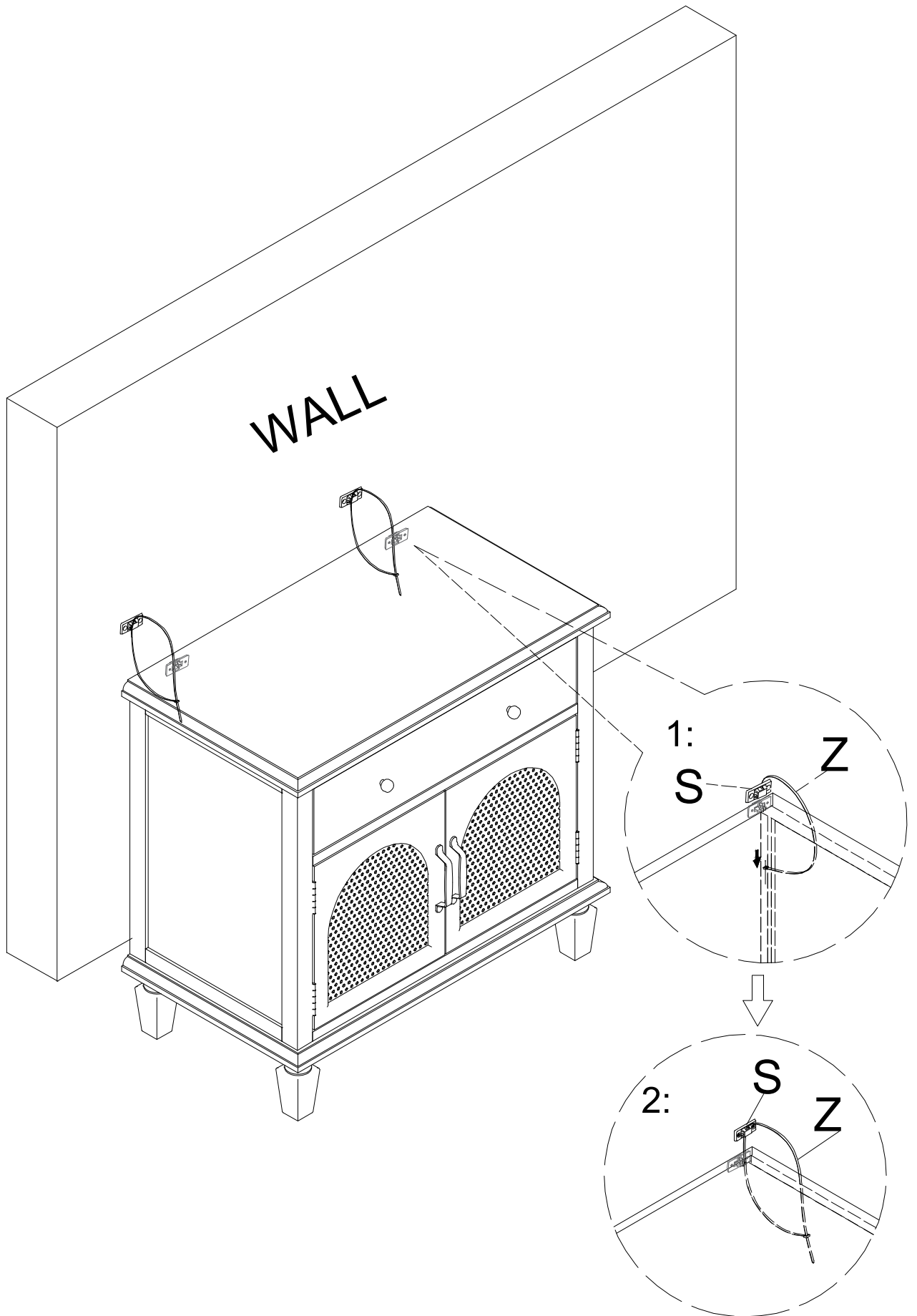
ASSEMBLY INSTRUCTIONS

STEP-27



NOTPROVIDED





WARRANTY

1. We strive to offer high-quality products, and we also try our best to satisfy each and every customer that orders from us with product or service as needed.
2. We provide 30 days warranty starting from the time you receive the item. Each customer must provide a record of their order such as the order number, or item receipt for any items that are out of the warranty period you may also still receive.
3. Replacement parts by purchasing them with our company if they are available.