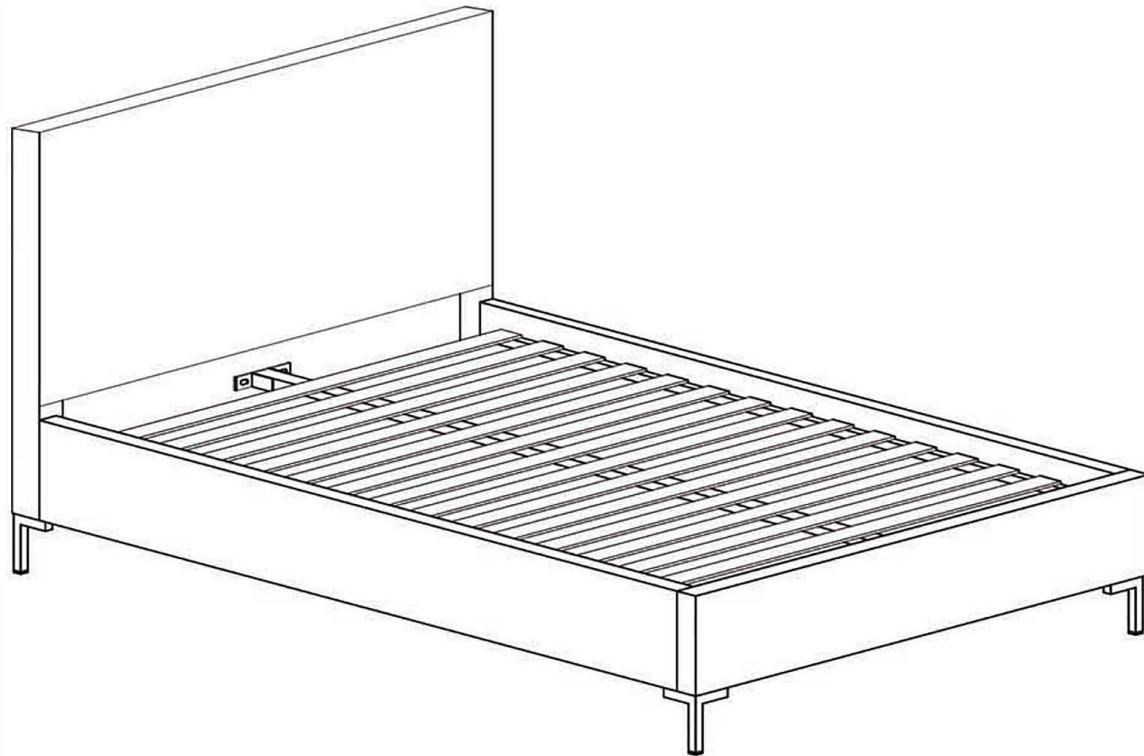


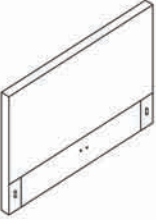
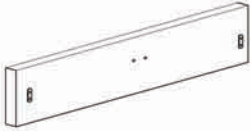
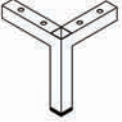

# **ASSEMBLY INSTRUCTIONS.**

QUEEN BED



THANK YOU FOR YOUR PURCHASE!

## PARTS AND HARDWARE.

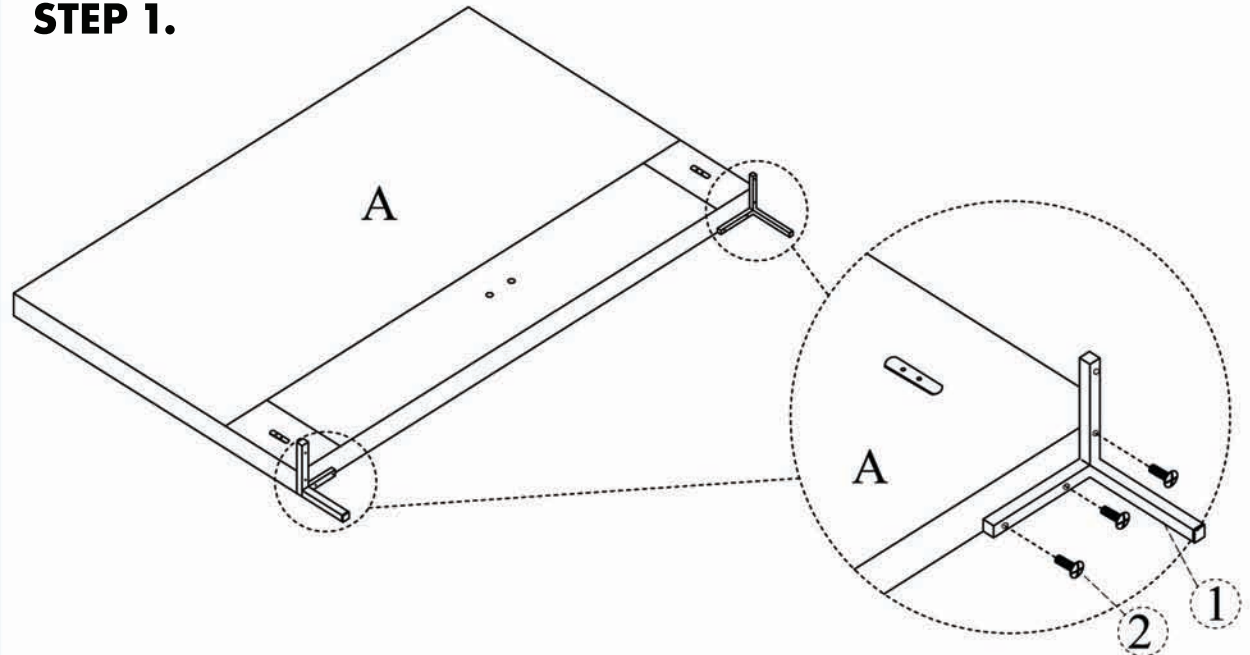
	
Ⓐ Headboard=1pc	Ⓑ Footboard=1pc
	
① Feet=4pcs	② X 12

## NOTES.

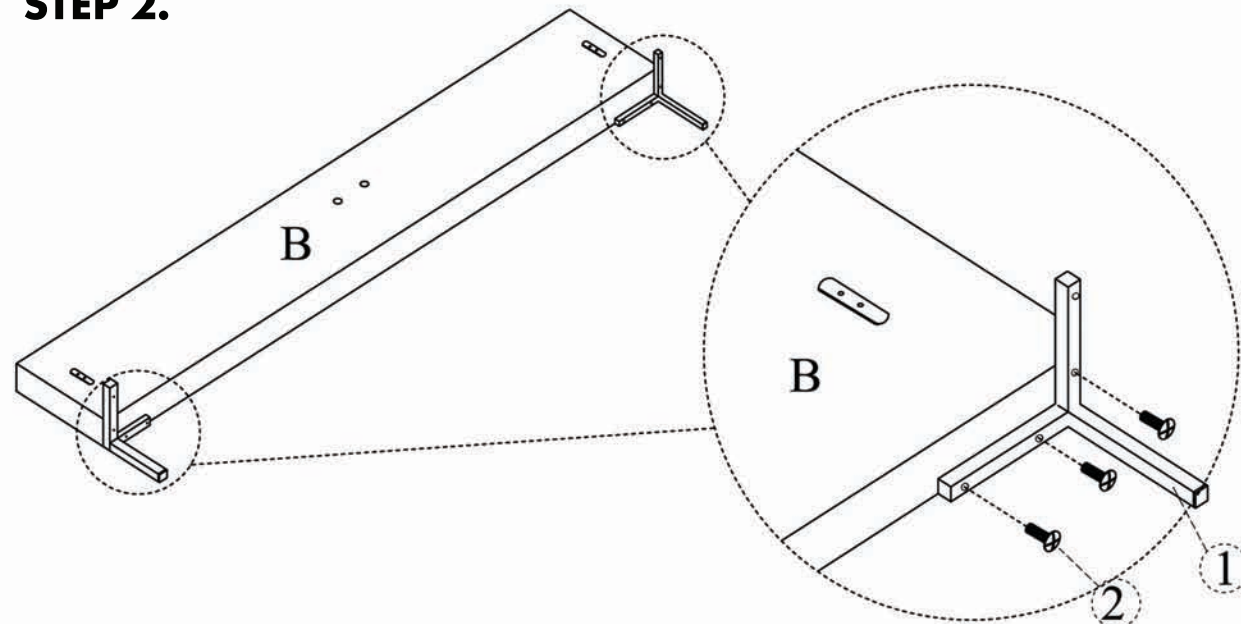
Thank you for purchasing this quality product! Be sure to check all packing material careful for small part that may have come loose inside the carton during shipping.

**CAUTION:** The item is heavy, assembly should be performed by two people.





## STEP 1.



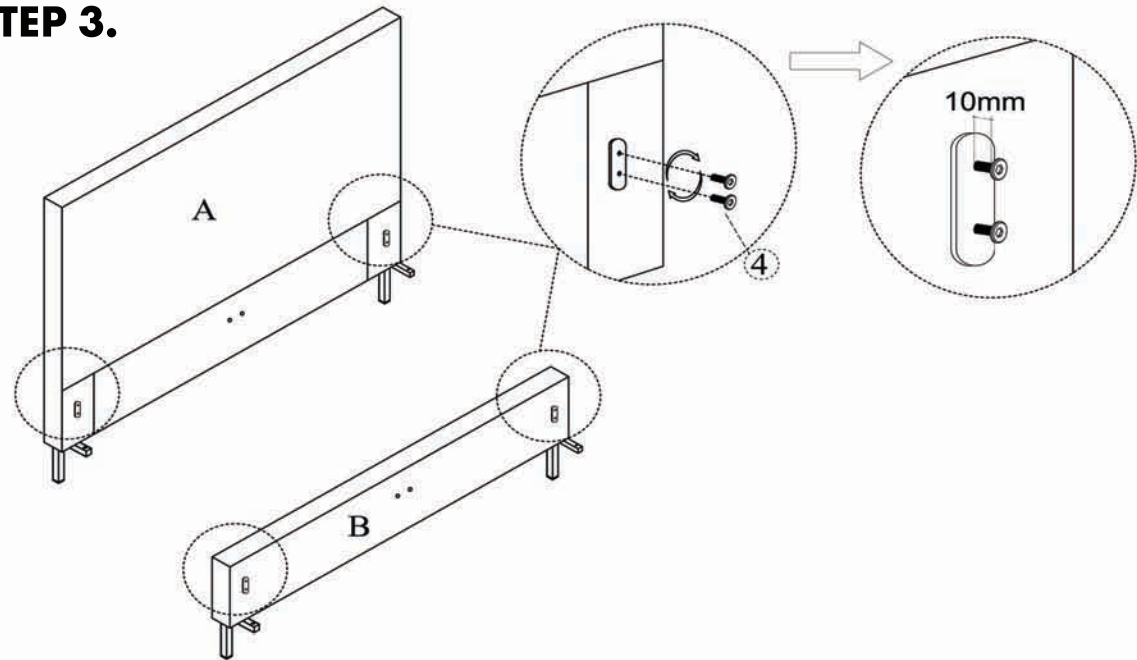
## STEP 2.



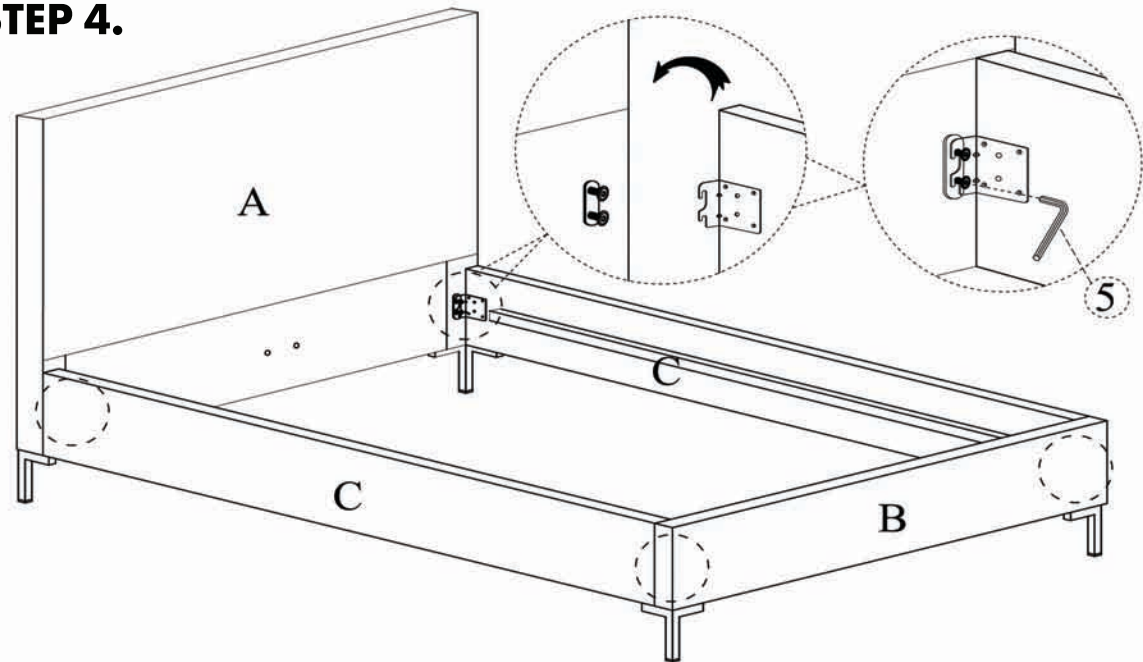
## PARTS AND HARDWARE.

	
③ Side Rails=2pcs	④ Centre Rail=1pc
	
④ Bolts (M8*18)=8pcs	⑤ Allen Key=1pc

## STEP 3.



## STEP 4.









## NOTES.

Thank you for purchasing this quality product! Be sure to check all packing material careful for small part that may have come loose inside the carton during shipping.

**CAUTION:** The item is heavy, assembly should be performed by two people.

## PARTS AND HARDWARE.

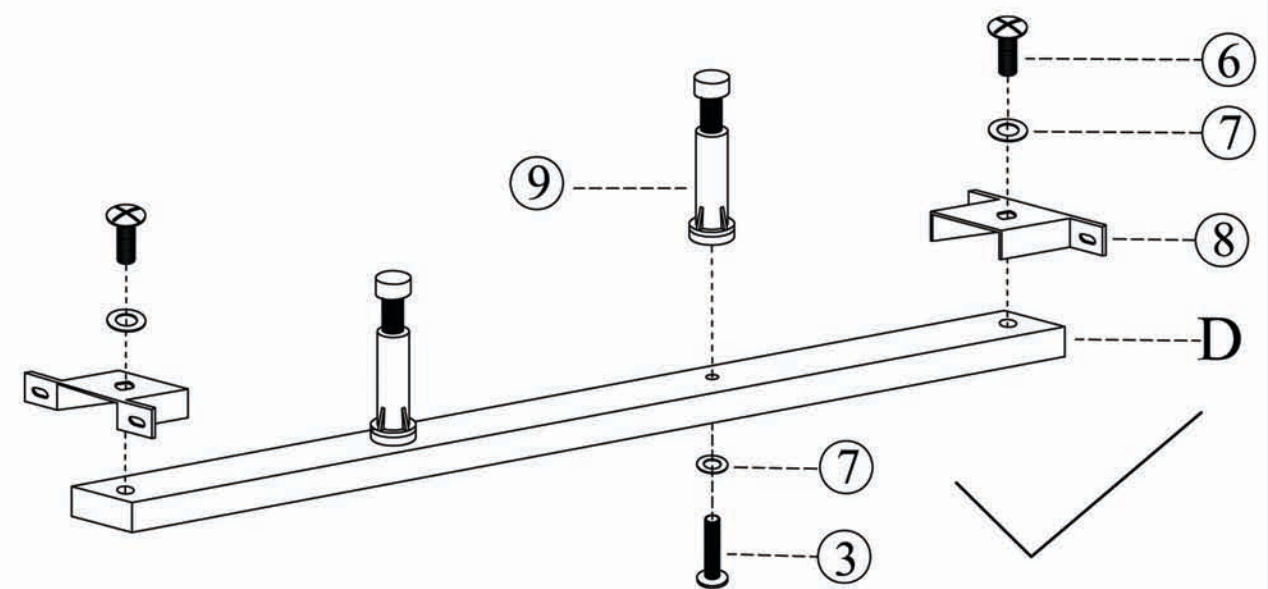
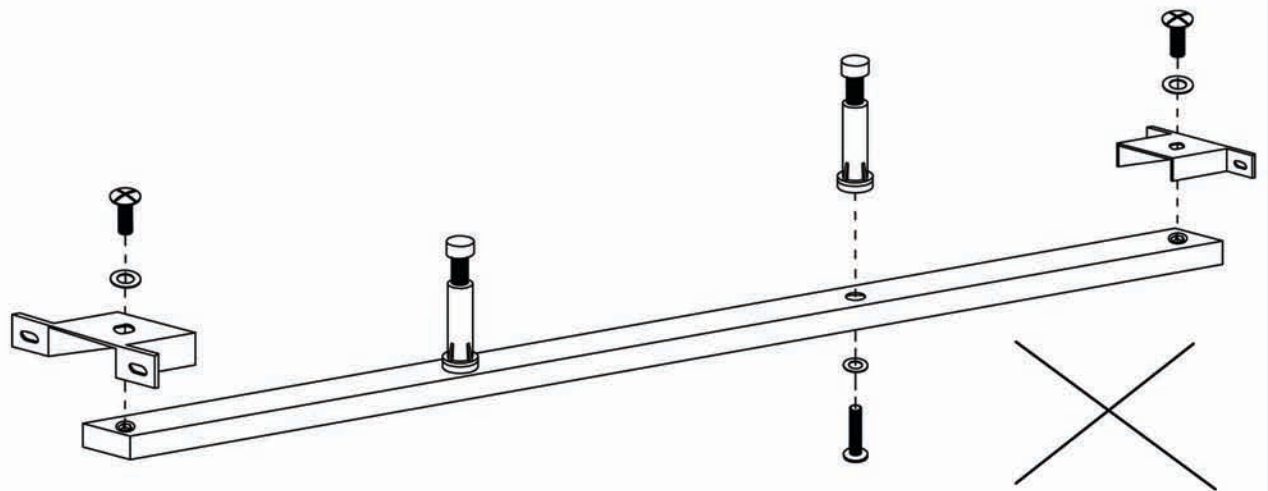
	
Center Rail D X 1	Bolts (M8*40) ③ X 2
	
Bolts (M8*20) ⑥ X 2	Washers ⑦ X 4
	
Brackets ⑧ X 2	Plastic Support legs ⑨ X 2

## NOTES.





Thank you for purchasing this quality product! Be sure to check all packing material careful for small part that may have come loose inside the carton during shipping.

**CAUTION:** The item is heavy, assembly should be performed by two people.

## STEP 5.



## PARTS AND HARDWARE.

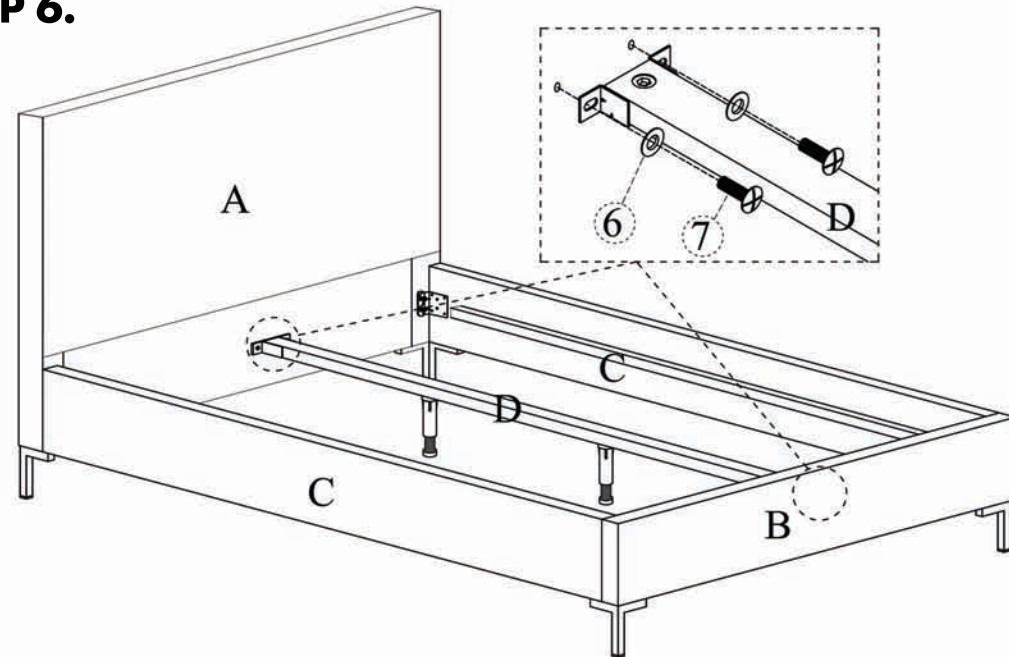
	
Ⓔ Slats=1pc	Ⓔ Bolts (M8*20)=4pcs
	
Ⓔ Washers(m8)=4pcs	Ⓔ Screws (m8*32)=42pcs

## NOTES.

Thank you for purchasing this quality product!  
Be sure to check all packing material careful  
for small part that may have come loose  
inside the carton during shipping.

**CAUTION:**The item is heavy, assembly  
should be performed by two people.

## STEP 6.



## STEP 7.

