

# 60 second metal extendable curtain pole instructions

- Please read carefully before commencing

**Please note:** Make sure the surface that this pole will be attached to is strong and solid enough to take the weight of the pole and curtain plus the pressure from the pole when it is under tension.

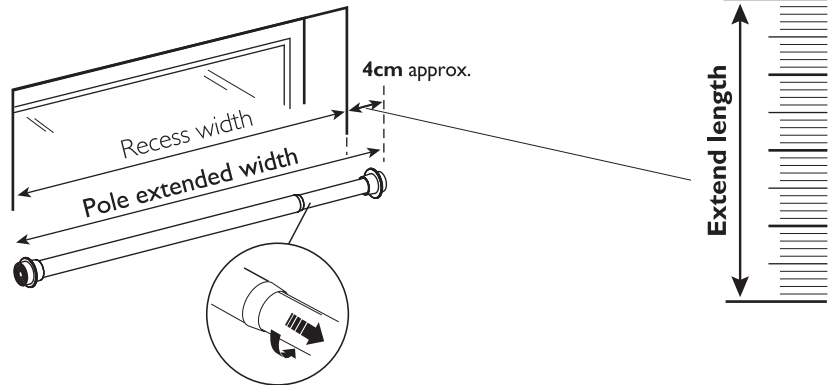
**This pole is suitable for light to medium weight curtains.**

Parts list			
Pole length	Extendable Pole	Pole Grip Ends	End Stop Ring
100-150cm	1	2	2
150-200cm	1	2	2

- 1** To hang the extendable 60 second pole you will need to extend the pole longer than the recess width.

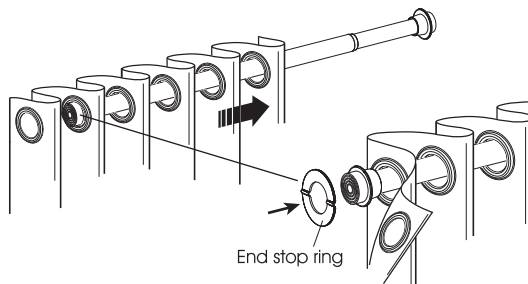
Extend your pole by twisting the inner diameter pole. Extend to the recess width and add to it the **Extend length** measurement opposite.

Note: This is a guide - slightly less or more may be required.



- 2** This pole contains 2 end stop rings to for either one or two sided curtain draw. For each side you wish to draw a curtain from follow this process.

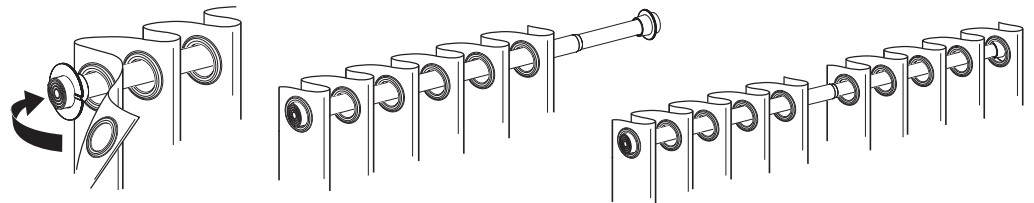
Slide the eyelet curtain onto the pole. Before sliding on the last eyelet in place slide the end stop washer onto the pole grip end.



- 3** Place the last eyelet onto the pole grip end after the washer.

Repeat the process for a second curtain drawing from the other side.

Your pole is now ready for hanging.



## Fixing pole into place

- A** Place the larger diameter pole end into the recess. Pushing from the smaller diameter pole end, reduce the poles length.

- B** Insert into the recess taking care not to damage your decor as you do so.

