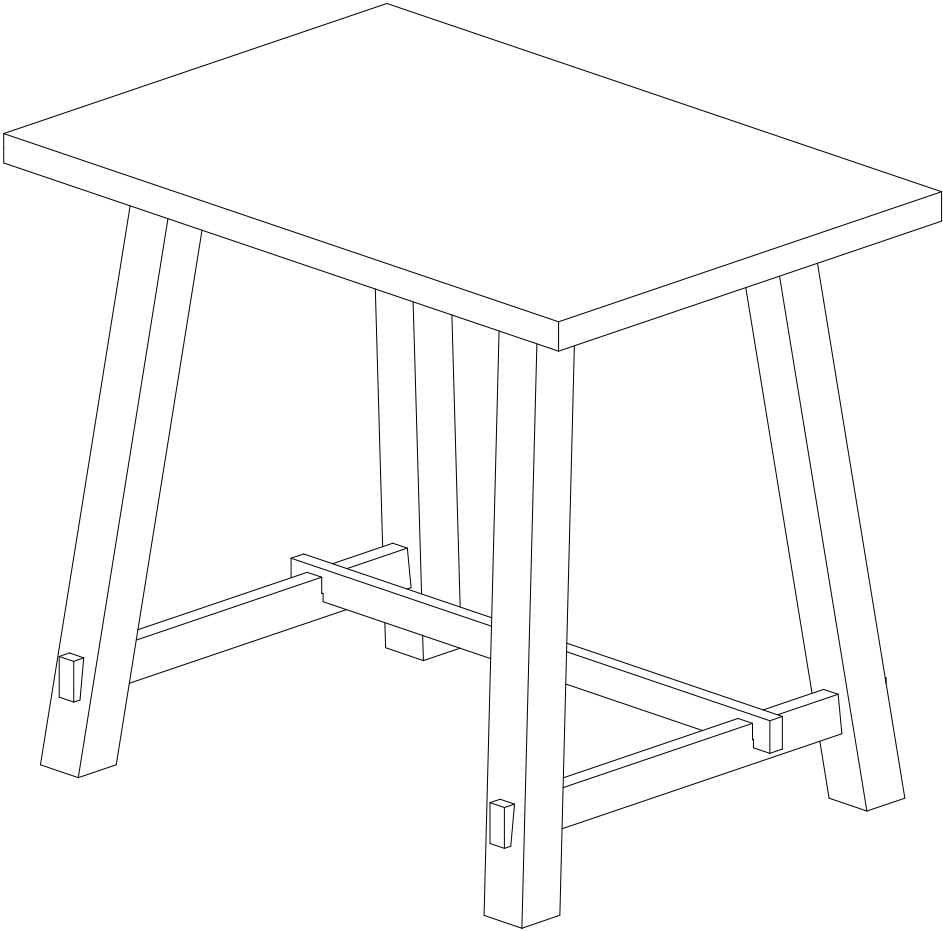


ASSEMBLY INSTRUCTIONS


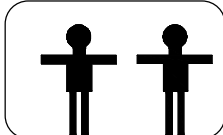

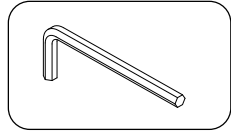
Desk



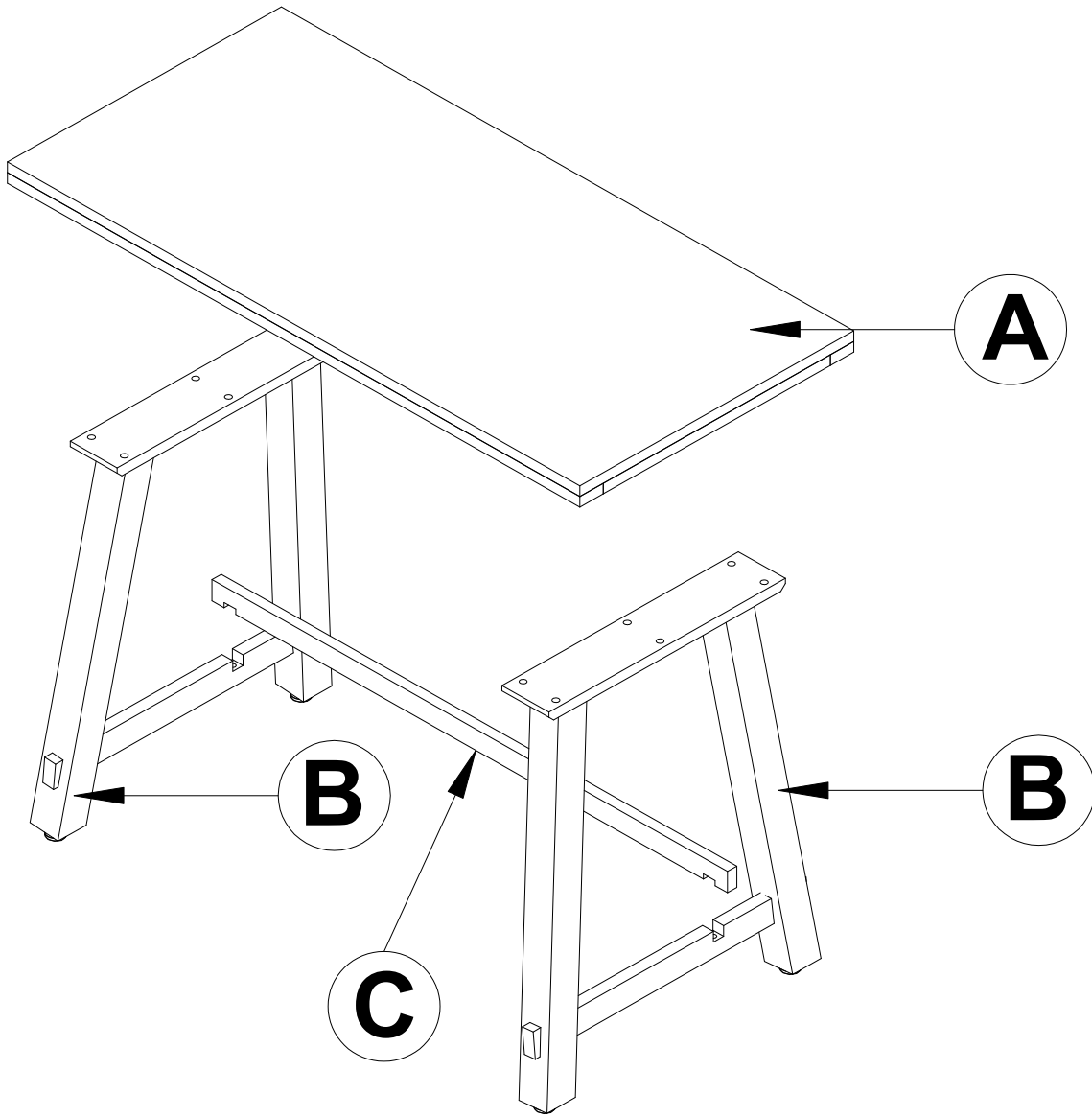
REPLACEMENT PARTS

Please do not contact the company purchased from as we can help you faster.

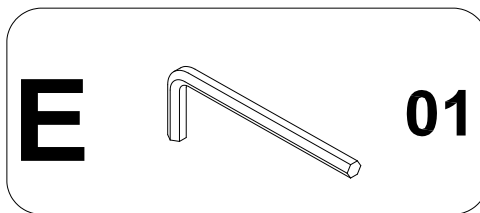
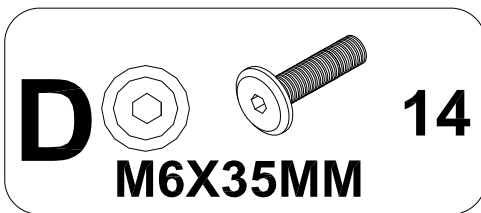
Order replacement parts and hardware at "boltonfurniture.com"

 <p>. Use of power tool to assemble this product will invalidate any claim and damage this product making it unsafe!!! . Please assemble on a clean soft surface to avoid damage.</p>	 <p>+</p>  <p>30 minutes</p>	<p><u>Tool Included</u></p> 
--	---	--

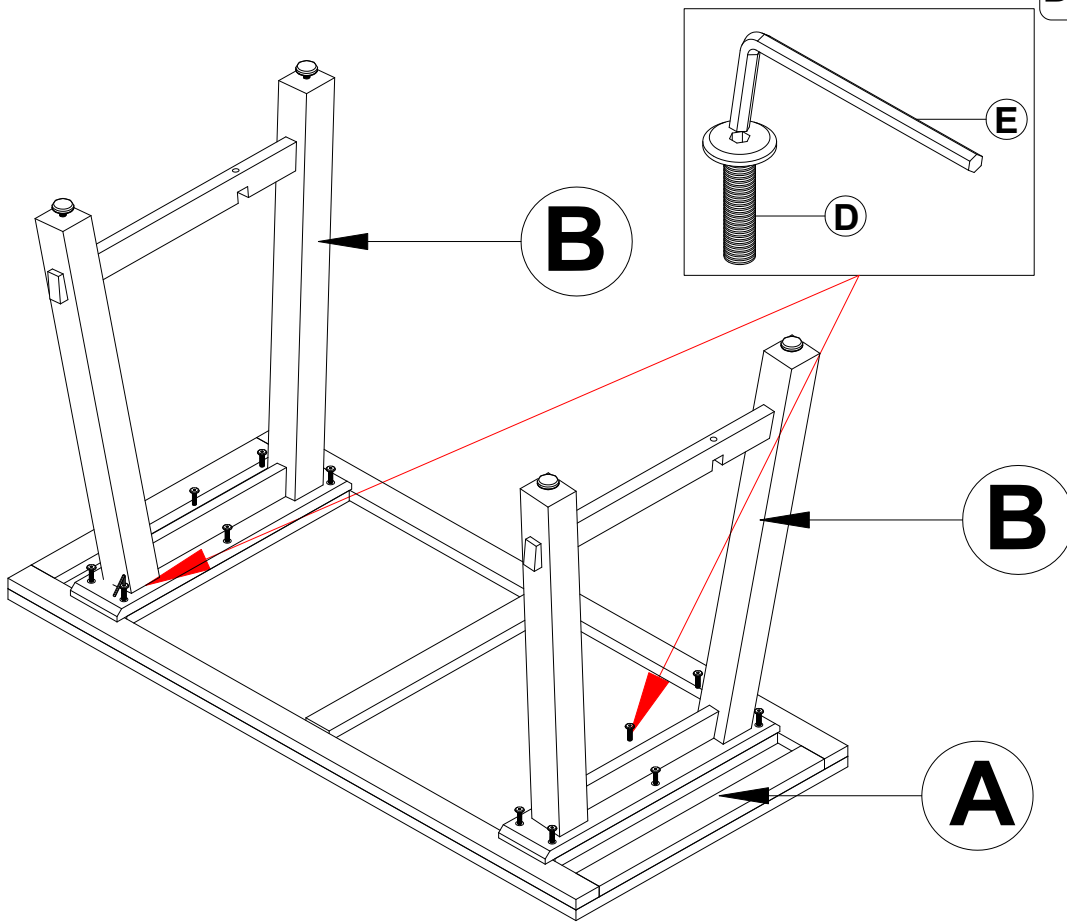
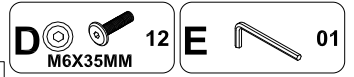
Part List-Desk



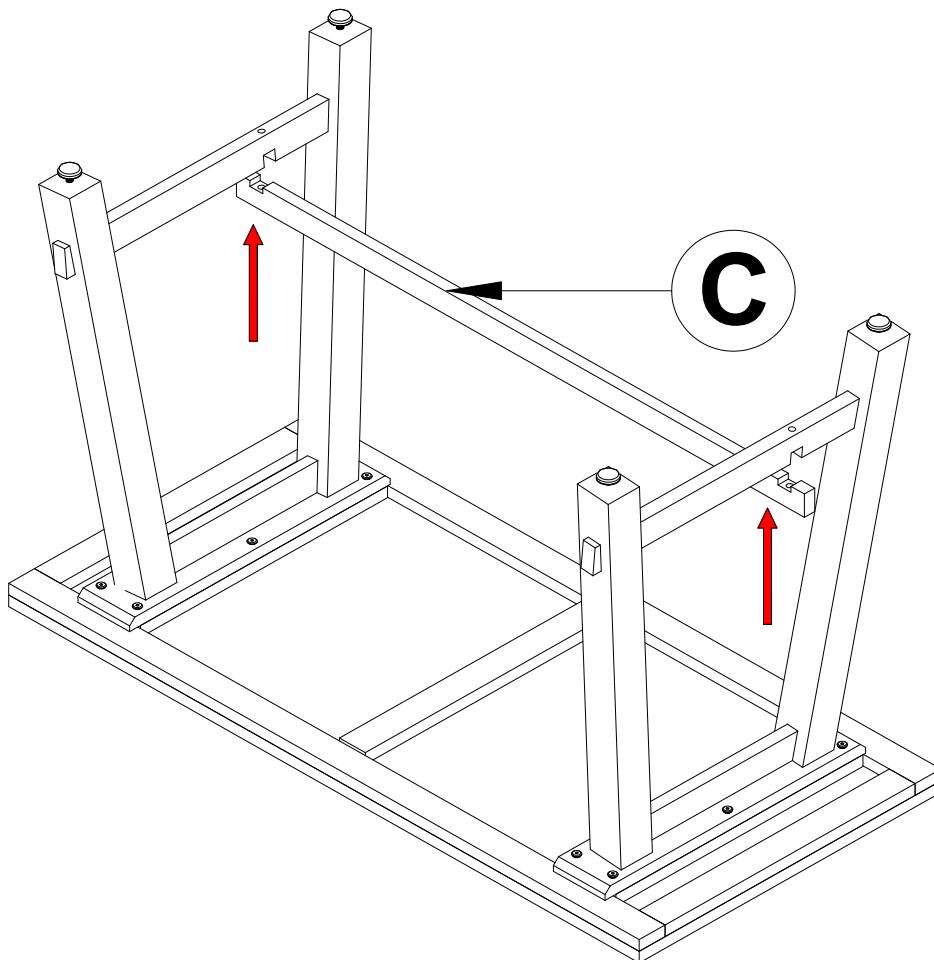
Identifying the hardware-Identify the hardware using the illustrations below.



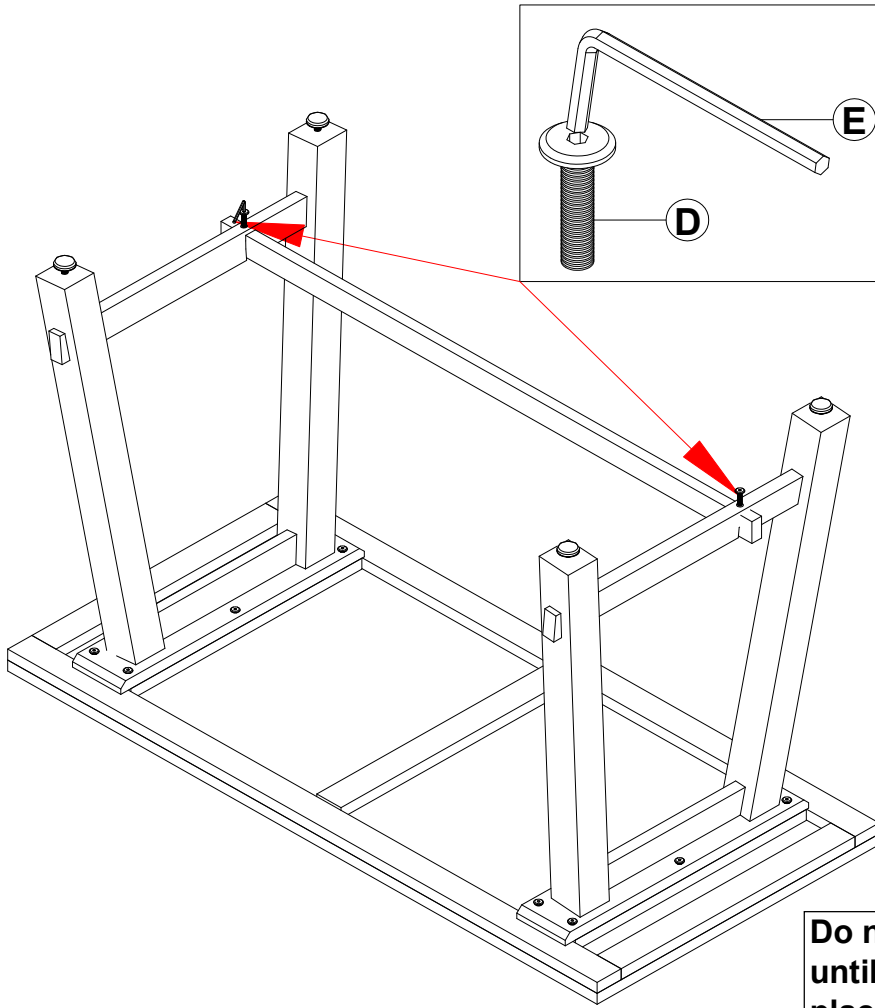
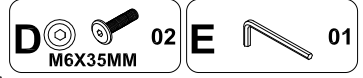
Step 1



Step 2



Step 3



Do not fully tighten until all screws are in place and properly aligned

