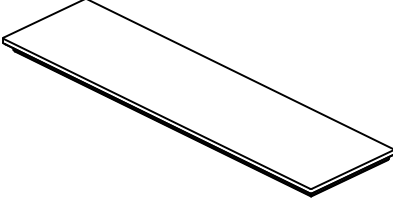
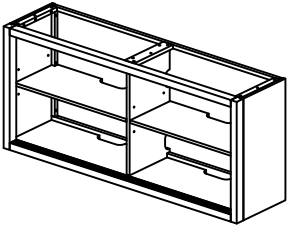
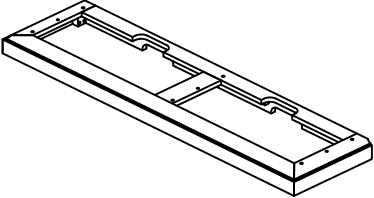
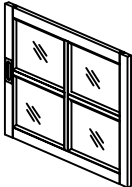
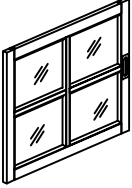


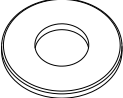
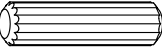



# ASSEMBLY INSTRUCTIONS

## STACKABLE BOOKCASE WITH SLIDING GLASS DOORS ASSEMBLE ON A FLAT, PROTECTED SURFACE

PART LIST	FIGURE	QUANTITY	DESCRIPTION
A		1 PC	TOP
B		1 PC	BOOKCASE
C		1 PC	BOTTOM FRAME
D1		1 PC	LEFT DOOR
D2		1 PC	RIGHT DOOR
E		12 PCS + 1PC	BOLT
F		12 PCS + 1PC	SPRING WASHER
G		12 PCS + 1PC	FLAT WASHER
H		6 PCS + 1PC	WOOD DOWEL
I		1 PC	ALLEN WRENCH

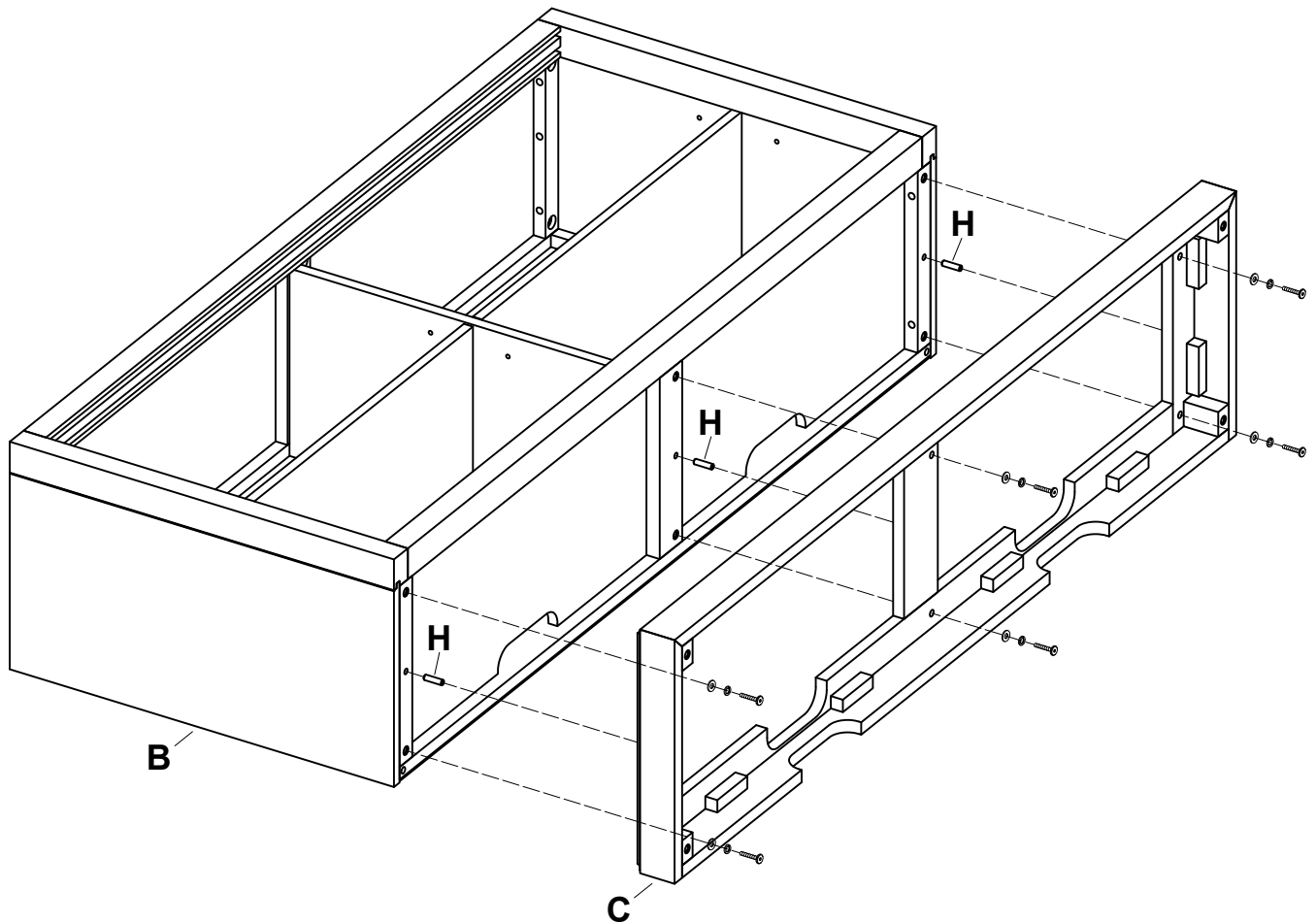
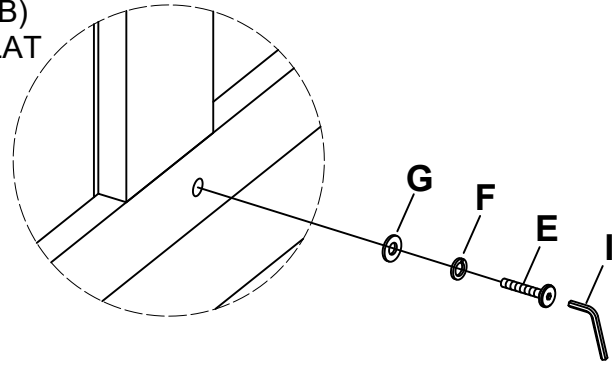
MADE IN VIETNAM

# ASSEMBLY INSTRUCTIONS

## STACKABLE BOOKCASE WITH SLIDING GLASS DOORS ASSEMBLE ON A FLAT, PROTECTED SURFACE

### STEP 1

1. INSERT WOOD DOWELS (H) INTO THE DOWEL HOLES ON BOOKCASE (B) AS SHOWN.
2. ATTACH BOTTOM FRAME (C) TO BOOKCASE (B) USING BOLTS (E), SPRING WASHERS (F) AND FLAT WASHERS (G). LOOSELY TIGHTEN WITH ALLEN WRENCH (I).

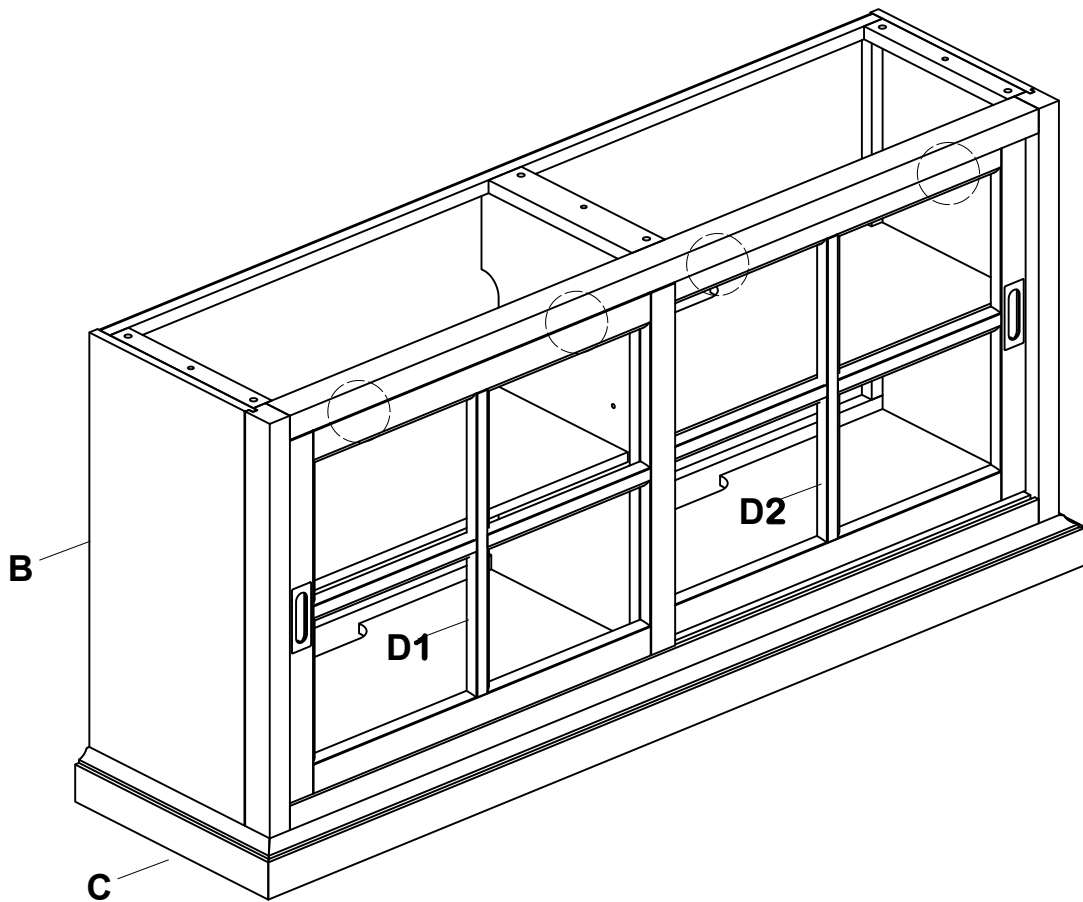
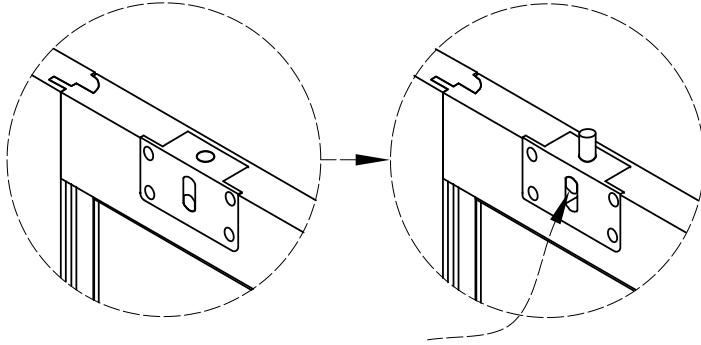


# ASSEMBLY INSTRUCTIONS

## STACKABLE BOOKCASE WITH SLIDING GLASS DOORS ASSEMBLE ON A FLAT, PROTECTED SURFACE

### STEP 2

1. UPRIGHT THE ASSEMBLED FROM STEP 1.
2. INSTALL THE LEFT DOOR (D1) & THE RIGHT DOOR (D2) INTO EITHER TRACK ( 1 TRACK FOR 1 DOOR ONLY) AND RAISE ITS TOP PIN TO COMPLETE ASSEMBLY ONCE PLACED. REPEAT THIS STEP IF YOU BUY MORE BOOKCASE (B).

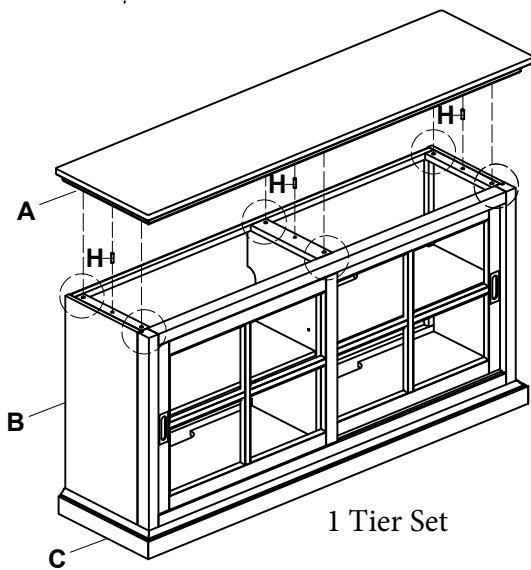
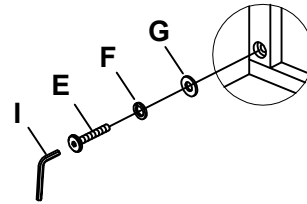


# ASSEMBLY INSTRUCTIONS

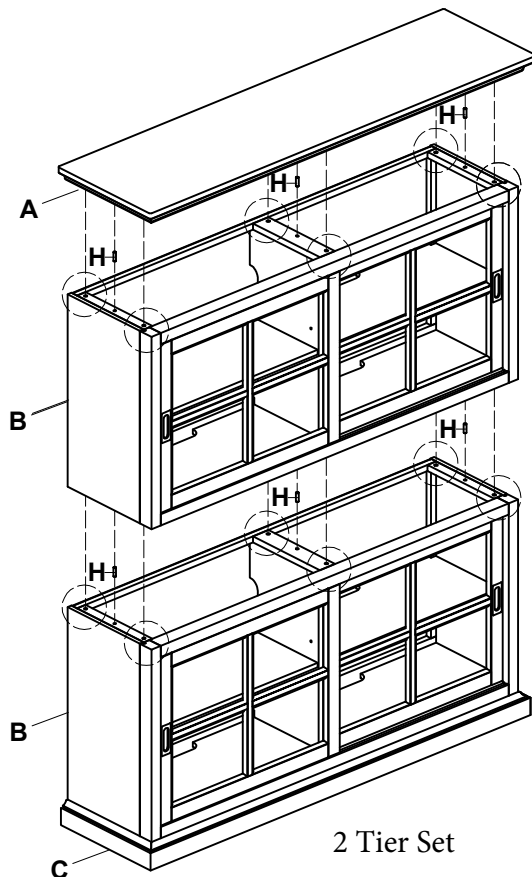
## STACKABLE BOOKCASE WITH SLIDING GLASS DOORS ASSEMBLE ON A FLAT, PROTECTED SURFACE

### STEP 3

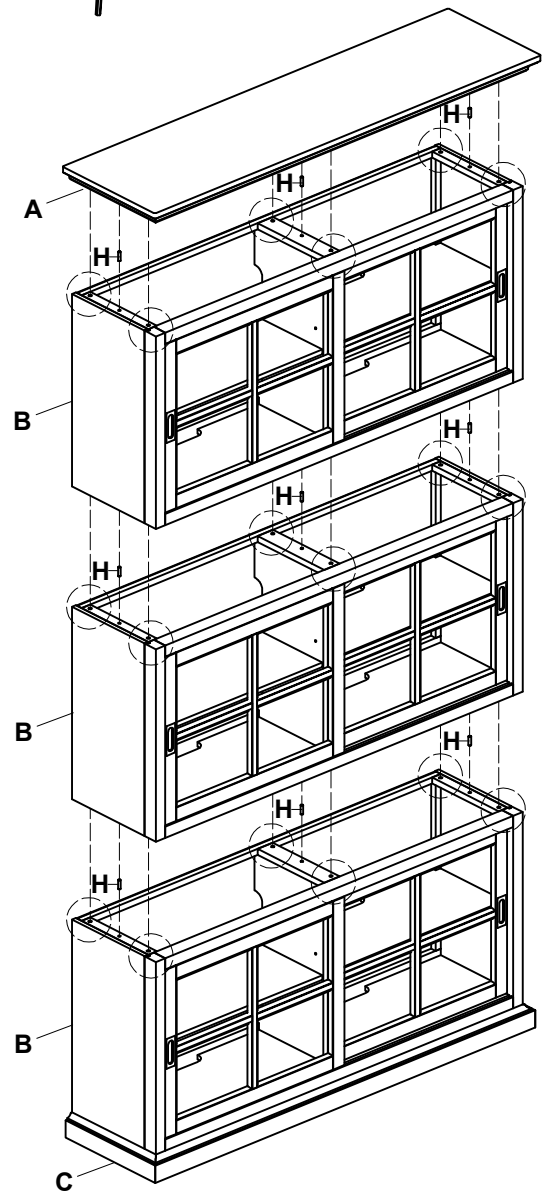
1. INSERT WOOD DOWELS (H) INTO THE DOWEL HOLES ON BOOKCASE (B) AS SHOWN.
2. TO HAVE MORE STORAGE, BUY BOOKCASE ( B ) SEPARATELY TO STACK AS SHOWN.
3. ATTACH TOP (A) TO BOOKCASE (B) USING BOLTS (E) SPRING WASHERS (F) AND FLAT WASHERS (G). LOOSELY TIGHTEN WITH ALLEN WRENCH ( I).



1 Tier Set



2 Tier Set



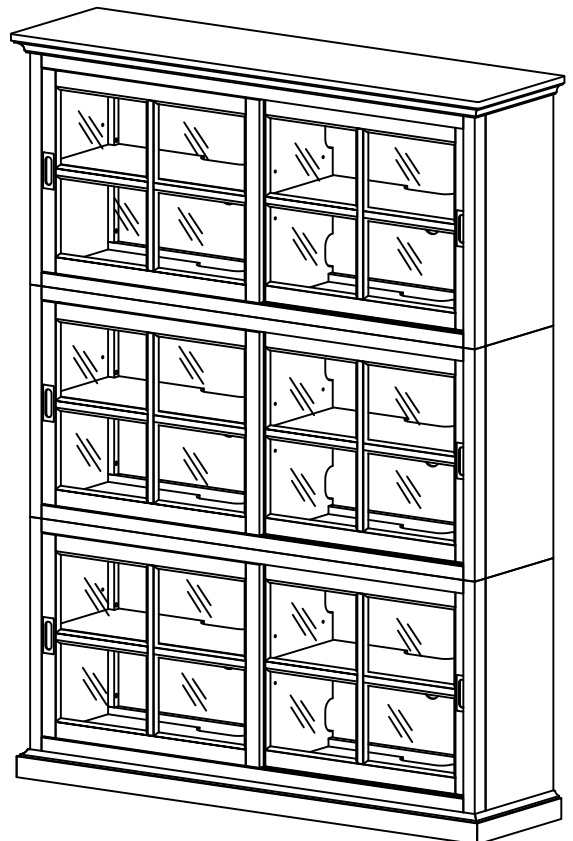
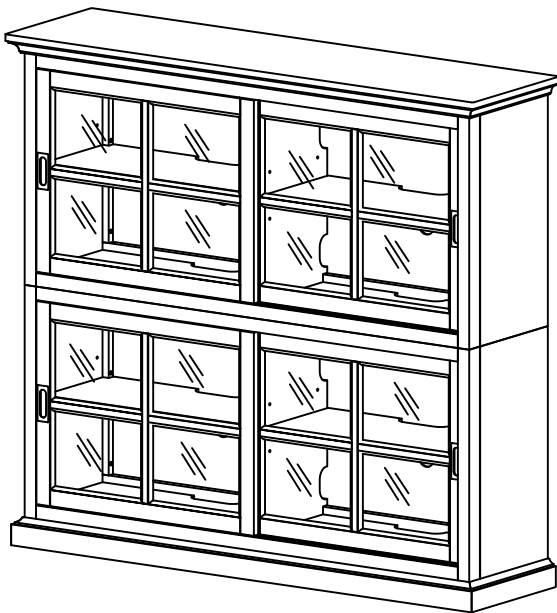
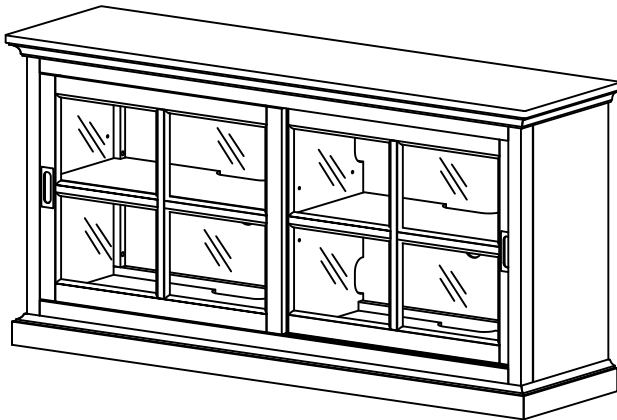
3 Tier Set

# ASSEMBLY INSTRUCTIONS

## STACKABLE BOOKCASE WITH SLIDING GLASS DOORS ASSEMBLE ON A FLAT, PROTECTED SURFACE

### STEP 4

1. READY FOR USE.





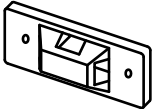

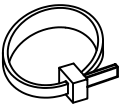
## ANTI-TIP HARDWARE MOUNTING INSTRUCTIONS FOR DRYWALL (CONTINUED)

PHILIPS HEAD SCREW DRIVER, DRILL, 7/32" DRILL BIT NEEDED FOR ASSEMBLY; **NOT INCLUDED**.

FOR SAFETY REASONS, WE RECOMMEND THAT YOU INSTALL THE INCLUDED ANTI-TIP HARDWARE TO HELP PREVENT THE CONSOLE TABLE FROM UNEXPECTEDLY TIPPING OR SHIFTING.

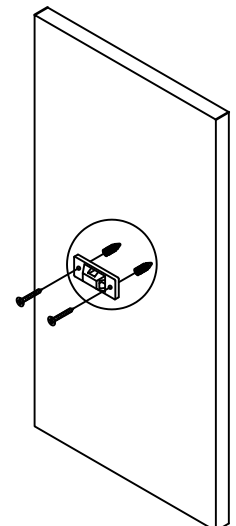
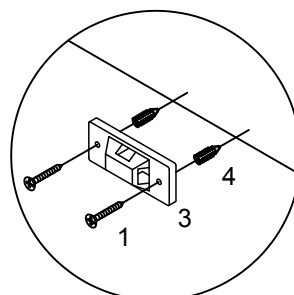
THE INCLUDED MATERIALS ARE DESIGNED TO MOUNT THE ANTI-TIP HARDWARE TO DRYWALL.

PLEASE CONSULT A REPRESENTATIVE AT A HARDWARE/HOME IMPROVEMENT STORE TO DISCUSS ADDITIONAL MOUNTING OPTIONS FOR OTHER TYPES OF WALLS.

PART LIST	FIGURE	QUANTITY	DESCRIPTION
1		2 PCS	LONG SCREW 5/16" x 1-1/2"
2		2 PCS	SHORT SCREW 5/16" x 3/4"
3		2 PCS	MOUNTING BRACKET
4		2 PCS	WALL ANCHOR
5		1 PC	ZIP TIE

### STEP 1

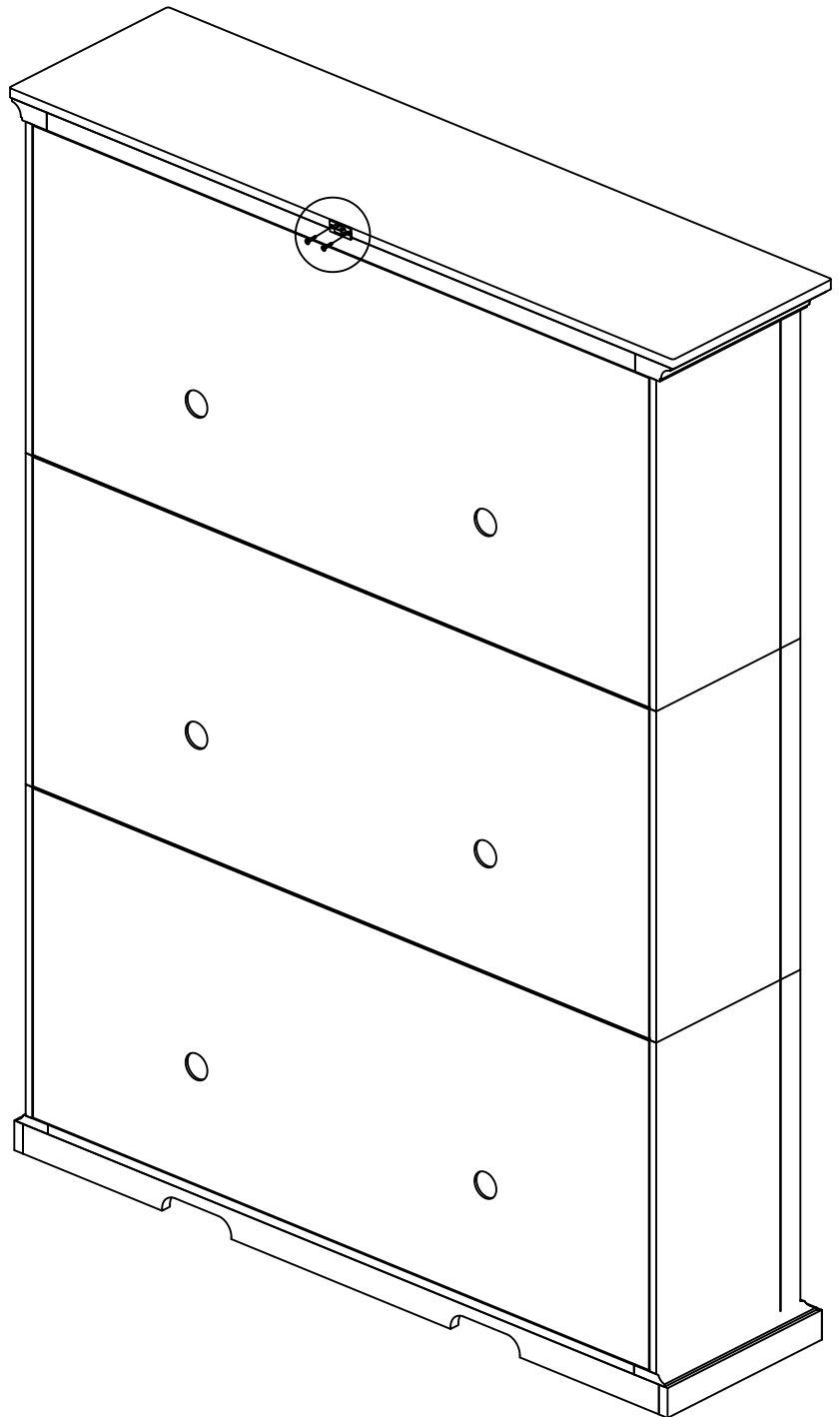
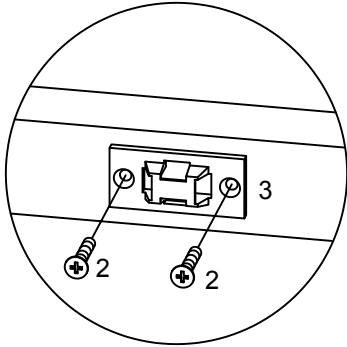
1. DETERMINE WHERE THE BOOKCASE IS PLACED, THEN MARK THE POSITION OF MOUNTING BRACKET ON THE WALL.
2. DRILL HOLES IN THE WALL. PRESS THE PLASTIC ANCHOR (N) INTO THE HOLES.
3. ALIGN MOUNTING BRACKET WITH THE PLASTIC ANCHORS (4) INSERT LONG SCREW (1) THROUGH MOUNTING BRACKET (3) INTO WALL ANCHOR (4) USING PHILIPS HEAD SCREW DRIVER, NOT INCLUDED.



## ANTI-TIP HARDWARE MOUNTING INSTRUCTIONS FOR DRYWALL (CONTINUED)

### STEP 2

1. ATTACH MOUNTING BRACKET TO APRON ( JUST BELOW TOP) AT CENTER BACK OF CONSOLE TABLE WITH SHORT SCREW (2) USING PHILLIPS HEAD SCREW DRIVER, NOT INCLUDED.



## ANTI-TIP HARDWARE MOUNTING INSTRUCTIONS FOR DRYWALL (CONTINUED)

### STEP 3

1. ALIGN BOOKCASE MOUNTING BRACKET (3) TO WALL MOUNTING BRACKET (3).
2. FEED THE ZIP TIE (5) THROUGH BOTH MOUNTING BRACKETS (3) TO CONNECT.
3. CHECK TO MAKE SURE THE ZIP TIE (5) IS SECURELY TIGHTENED.

