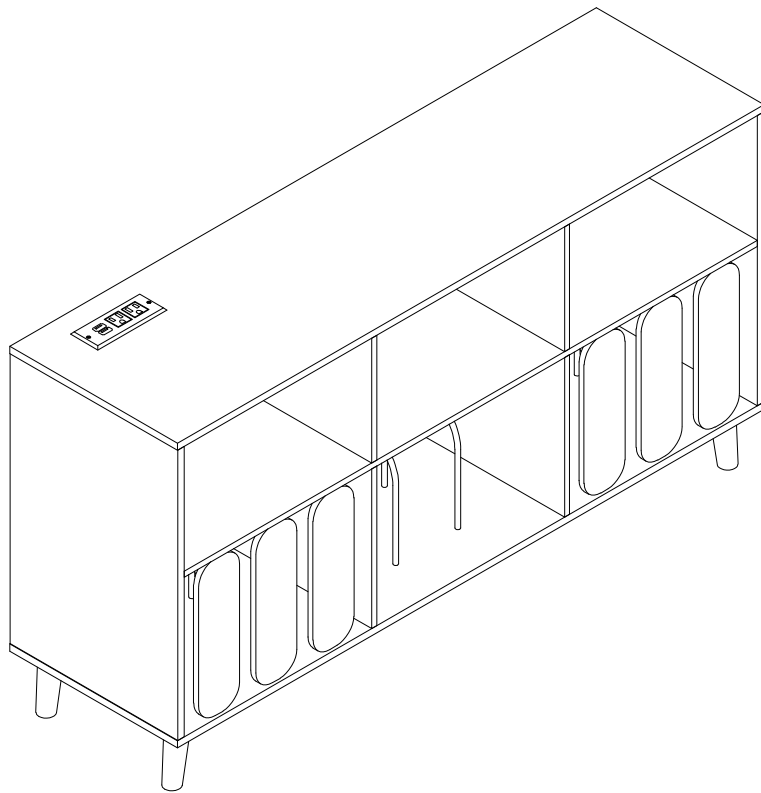
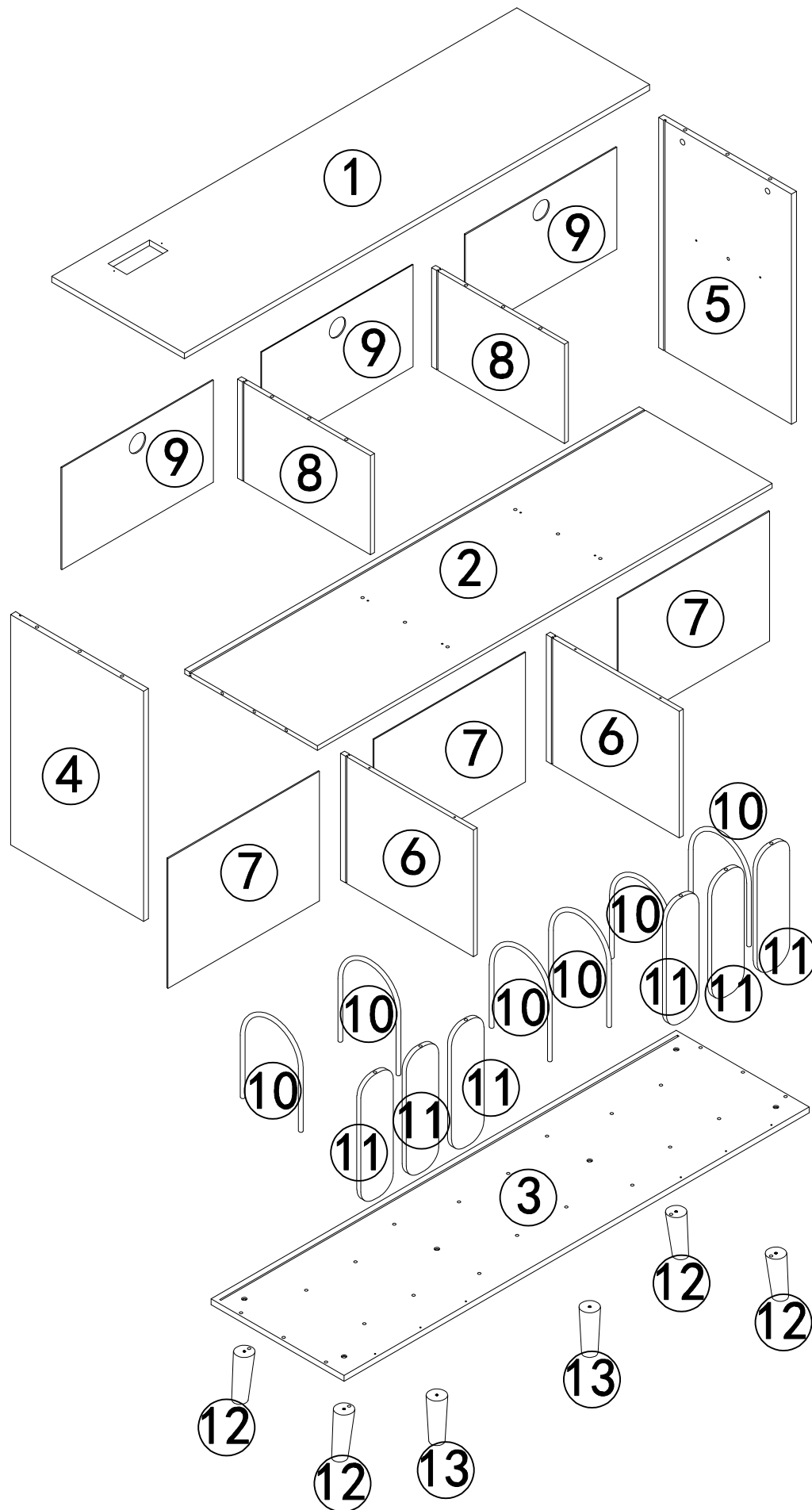


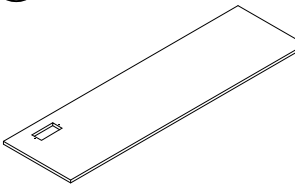
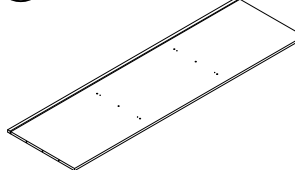
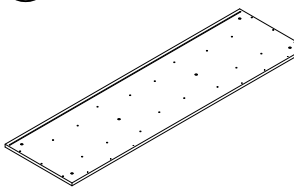
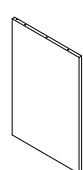
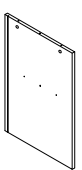
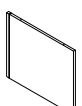
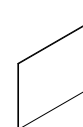
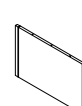
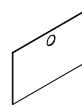
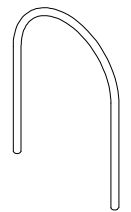



# Record cabinet

## INSTRUCTION MANUAL

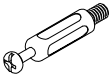
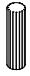





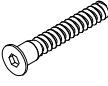
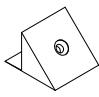

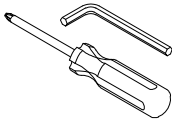
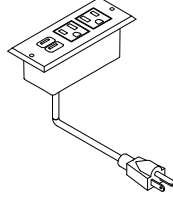




# Part list

<p>①</p>  <p>X1</p>	<p>②</p>  <p>X1</p>	<p>③</p>  <p>X1</p>	<p>④</p>  <p>X1</p>
<p>⑤</p>  <p>X1</p>	<p>⑥</p>  <p>X2</p>	<p>⑦</p>  <p>X3</p>	<p>⑧</p>  <p>X2</p>
<p>⑨</p>  <p>X3</p>	<p>⑩</p>  <p>X6</p>	<p>⑪</p>  <p>X6</p>	<p>⑫</p>  <p>X4</p>
<p>⑬</p>  <p>X2</p>			

# Hardware list

<p><b>(A)</b></p>  <p>X16</p>	<p><b>(B)</b></p>  <p>8*30</p> <p>X16</p>	<p><b>(C)</b></p>  <p>M6*25</p> <p>X6</p>	<p><b>(D)</b></p>  <p>M5*25</p> <p>X12</p>
<p><b>(E)</b></p>  <p>ST3.5*14</p> <p>X18</p>	<p><b>(F)</b></p>  <p>X4</p>	<p><b>(G)</b></p>  <p>X12</p>	<p><b>(H)</b></p>  <p>ST6.3*40</p> <p>X8</p>
<p><b>(I)</b></p>  <p>X16</p>	<p><b>(J)</b></p>  <p>X12</p>	<p><b>(K)</b></p>  <p>X1</p>	<p><b>(L)</b></p>  <p>X1</p>

(B)



8\*30

X4

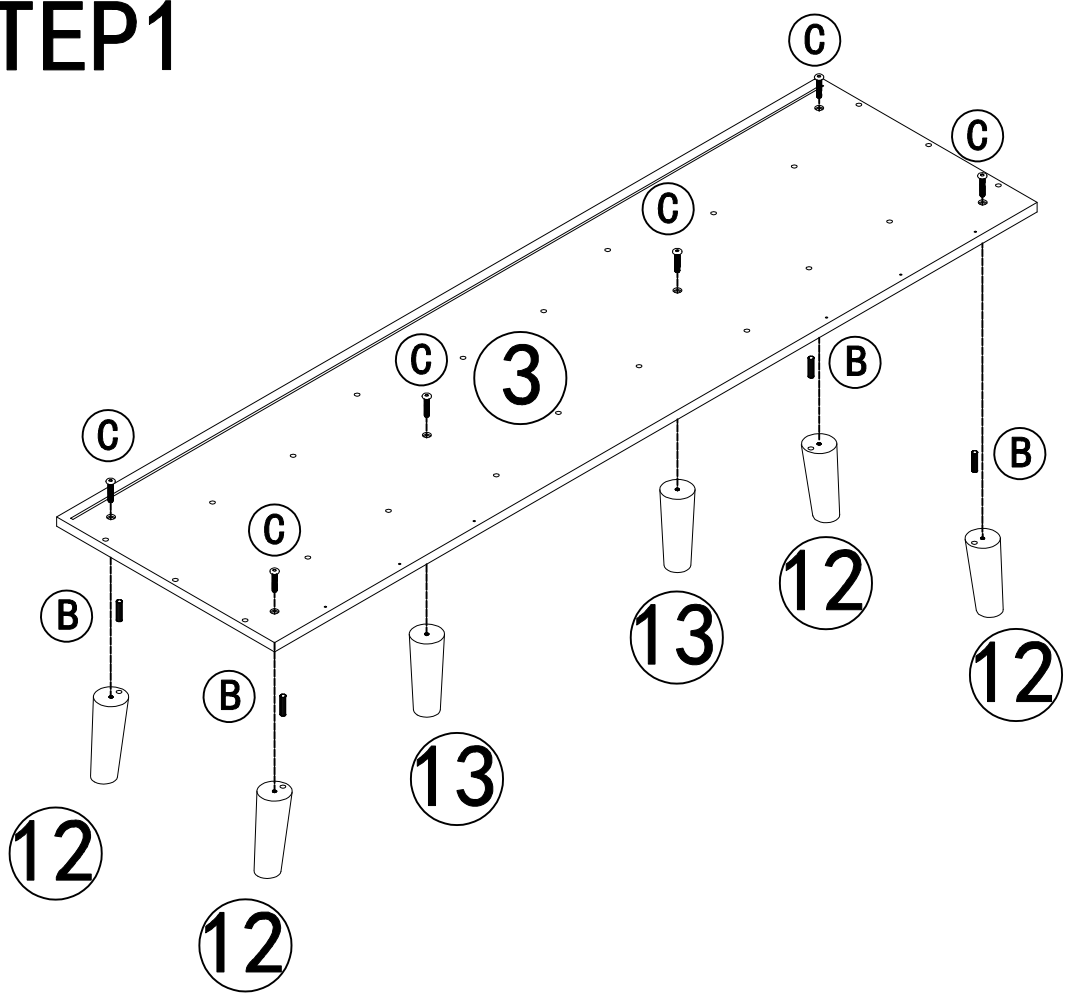
(C)



M6\*25

X6

# STEP1



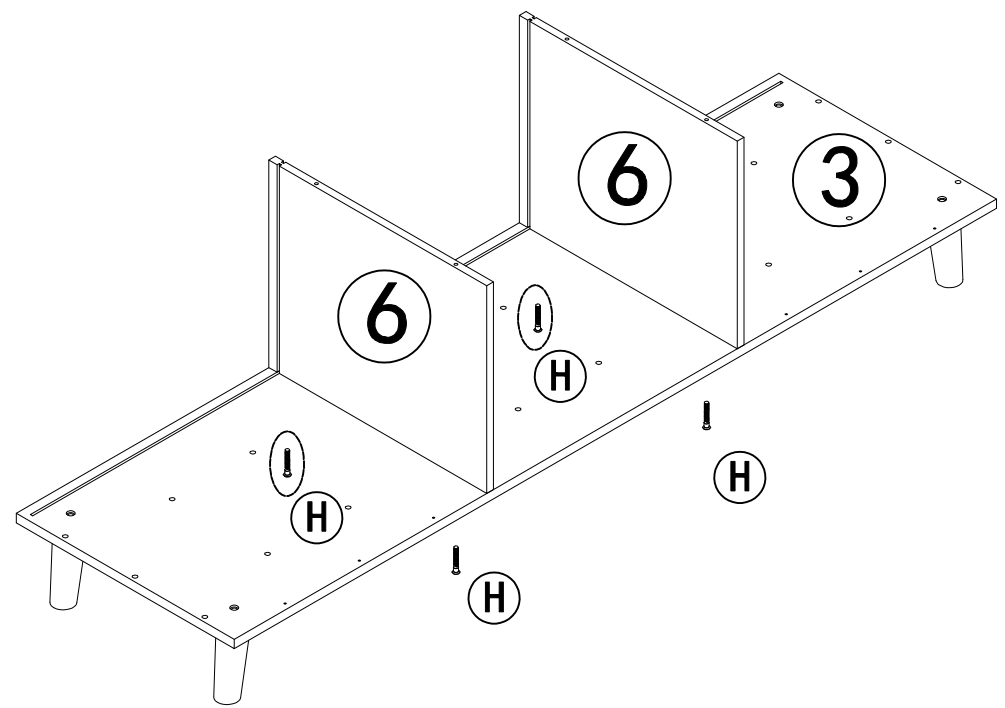
(H)



ST6. 3\*40

X4

# STEP2

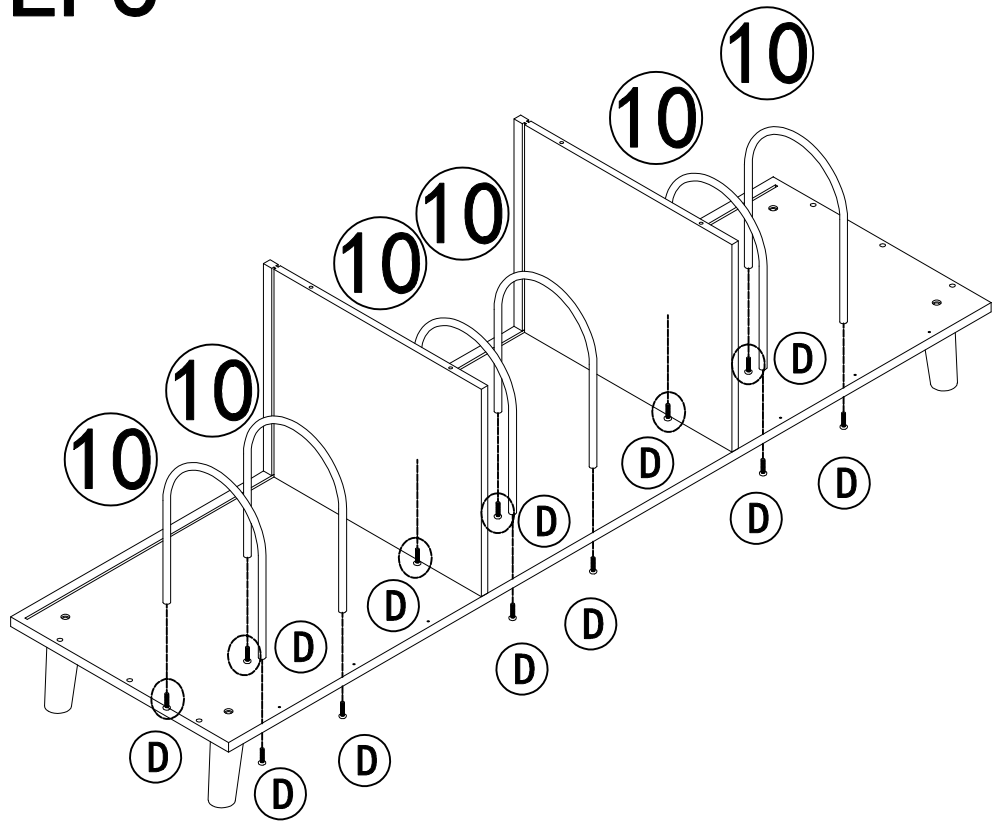


D

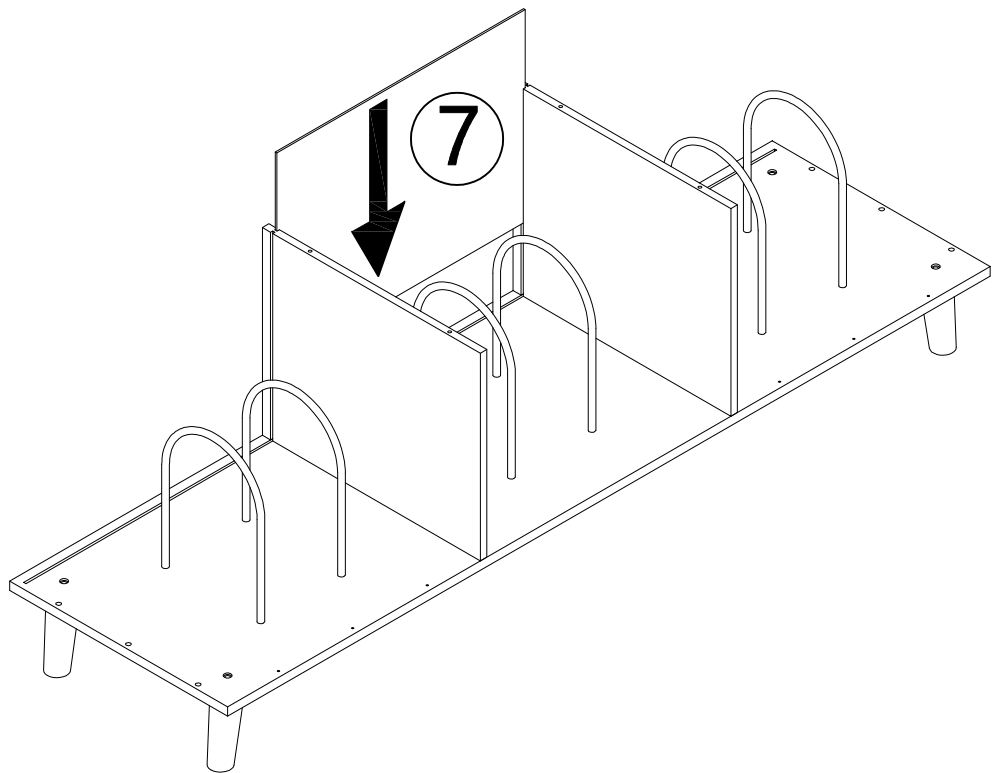
# STEP3

M5\*25

X12



# STEP4



(B)

# STEP5



8\*30

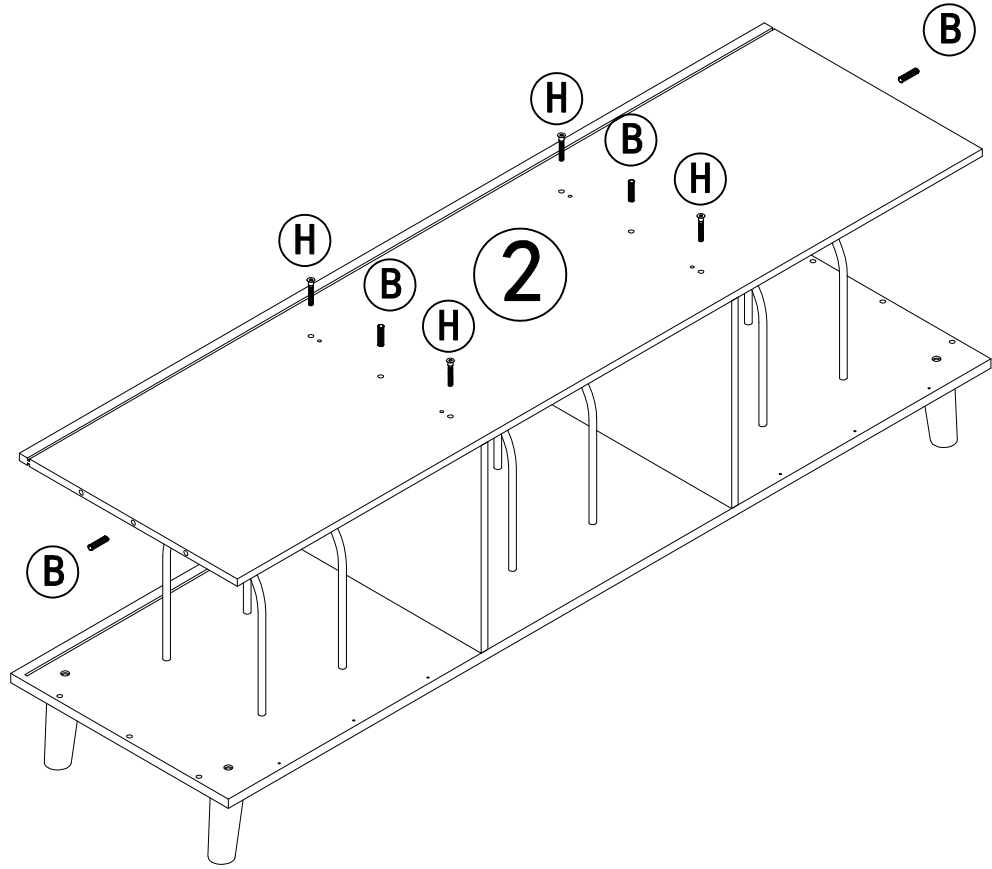
X4

(H)

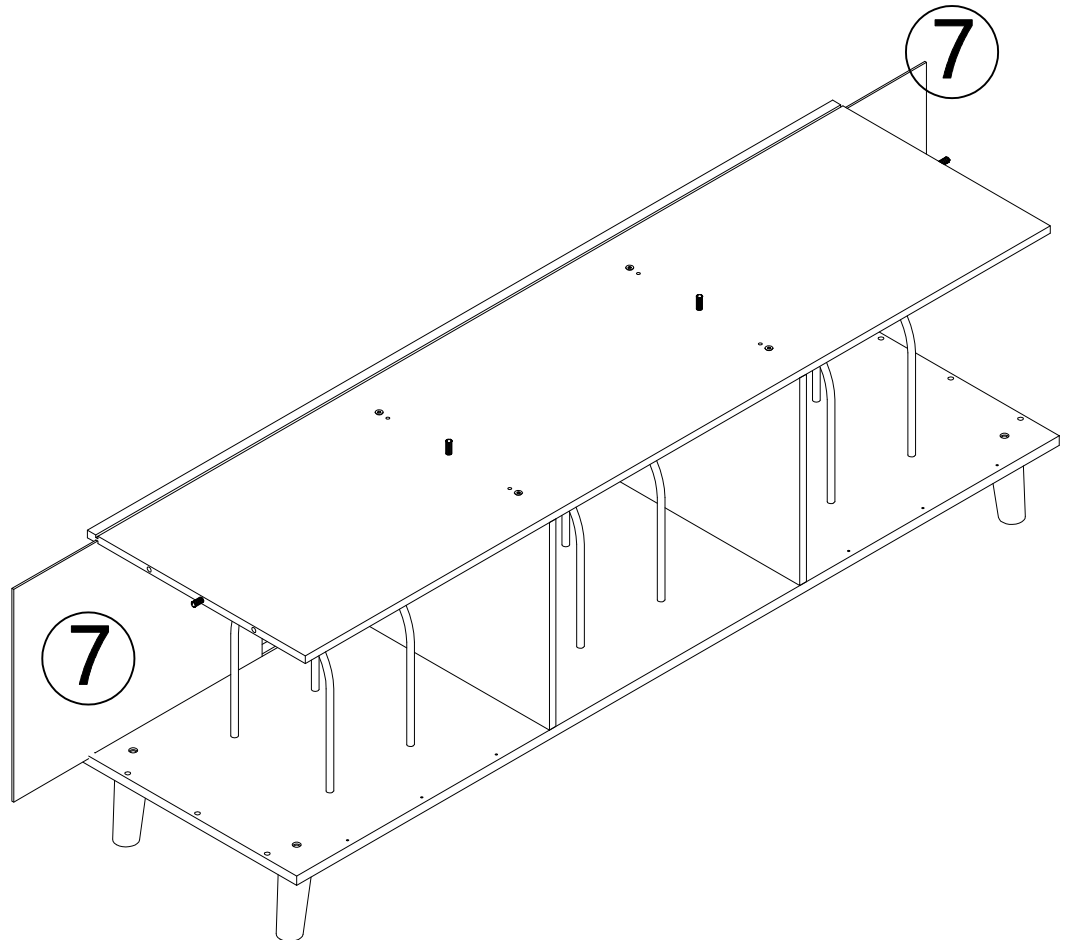


ST6. 3\*40

X4



# STEP6



(A)



X4

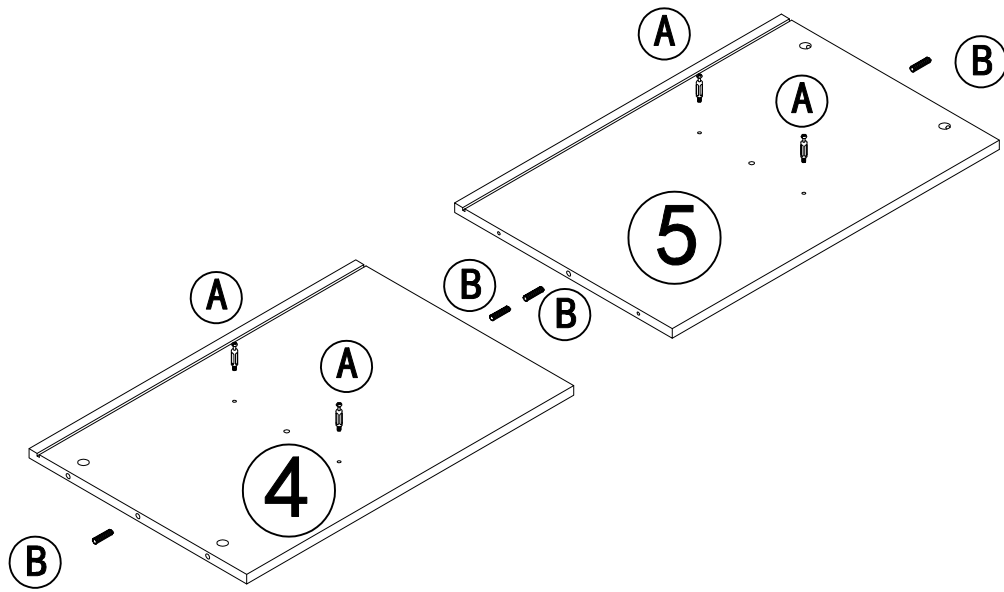
(B)



8\*30

X4

# STEP7

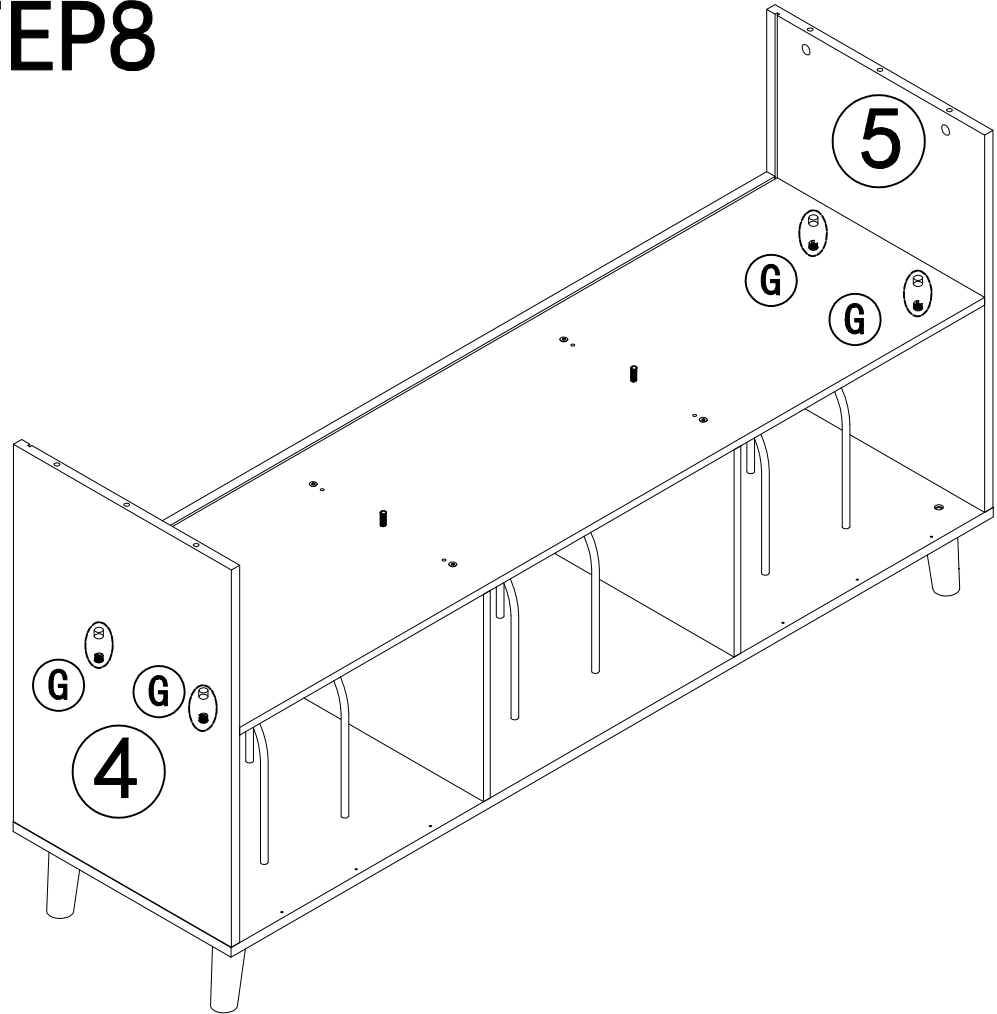


(G)



X4

# STEP8

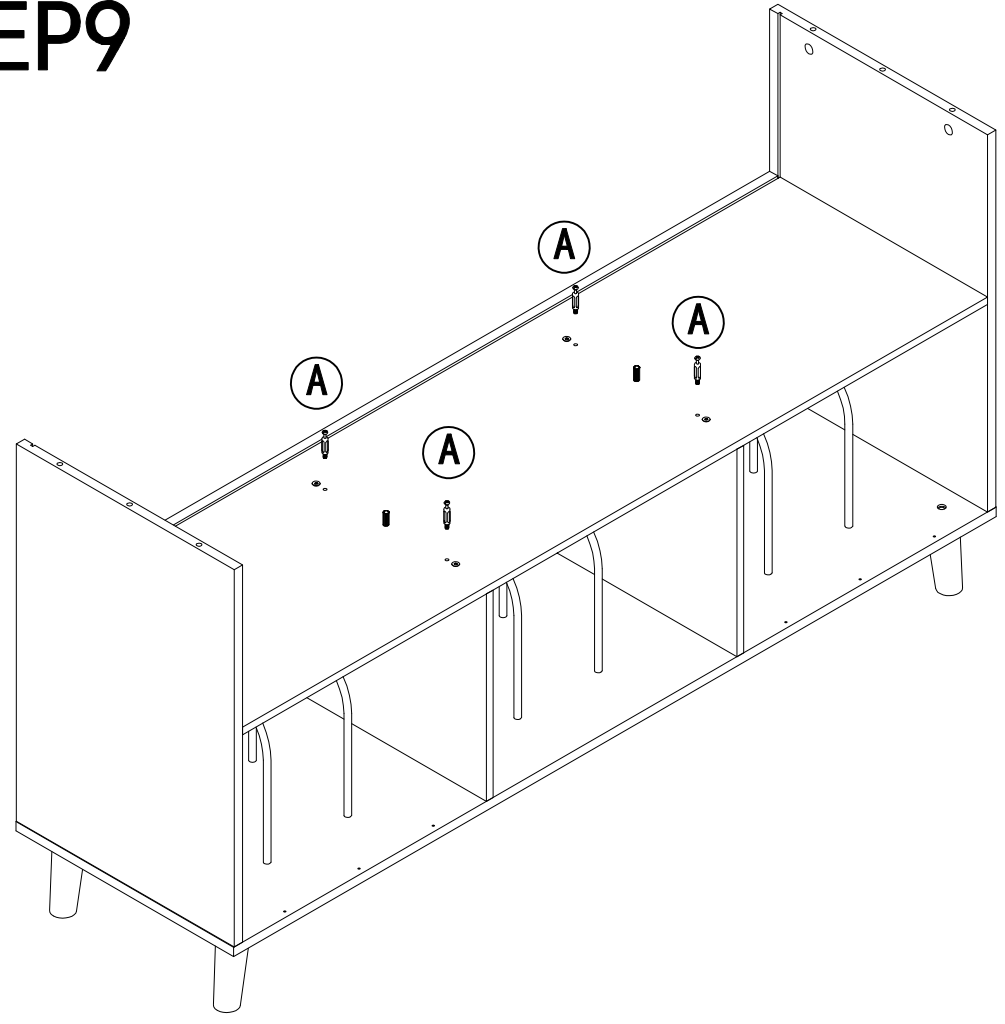


A

# STEP 9



X4

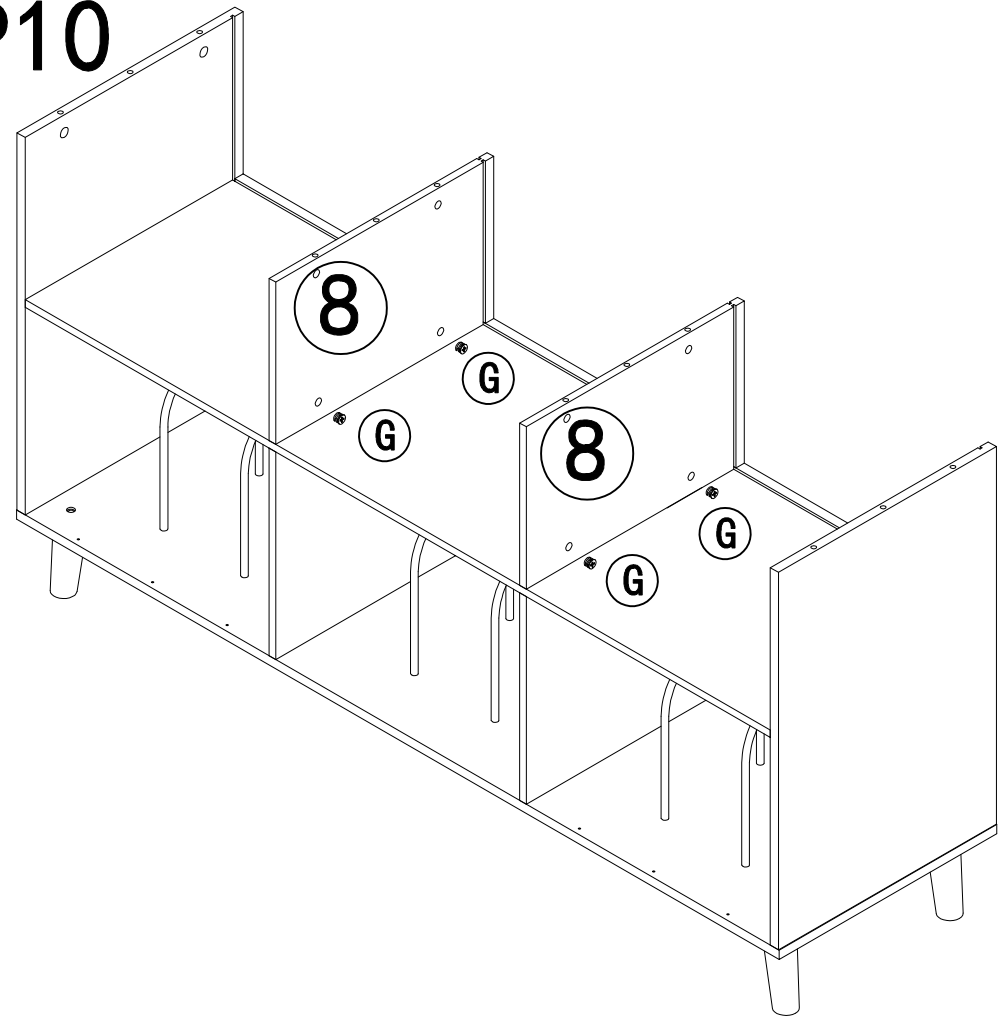


G

# STEP 10



X4



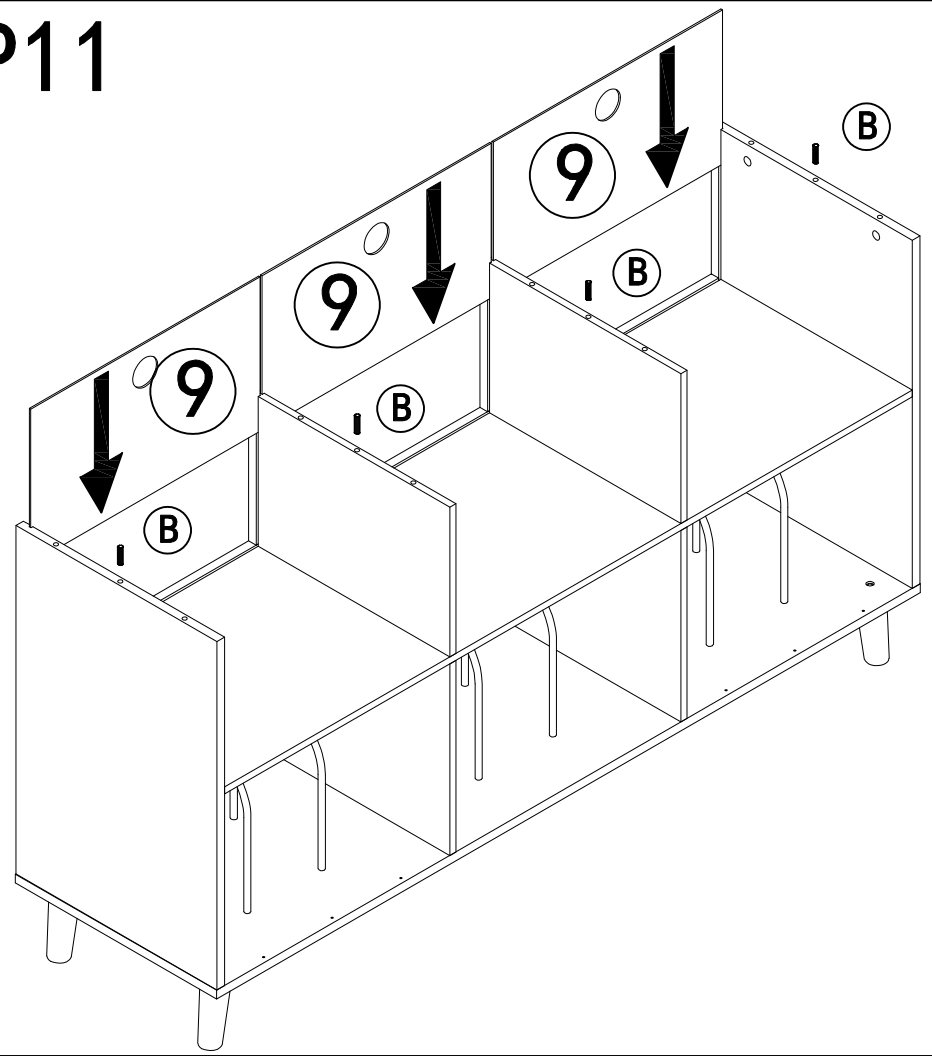
(B)

# STEP 11



8\*30

X4

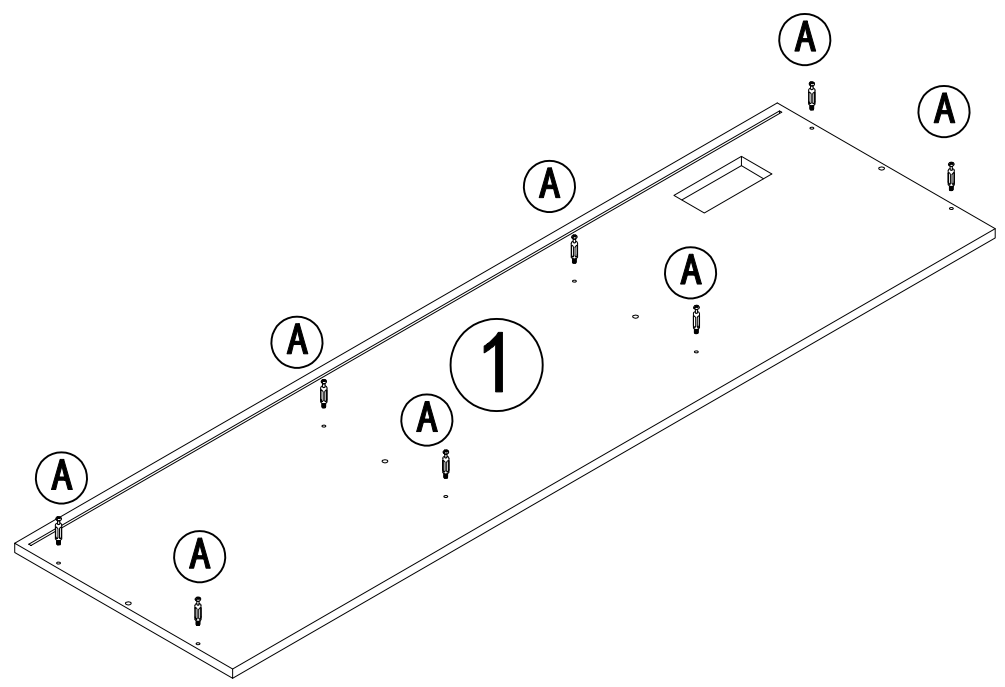


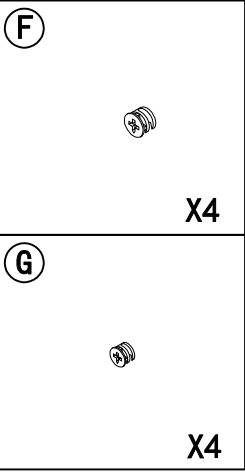
(A)

# STEP 12

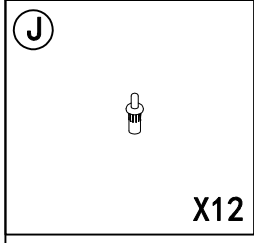
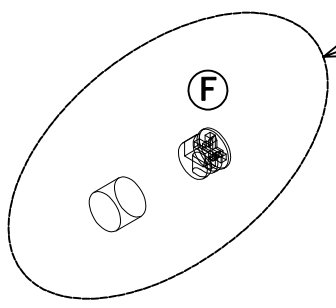
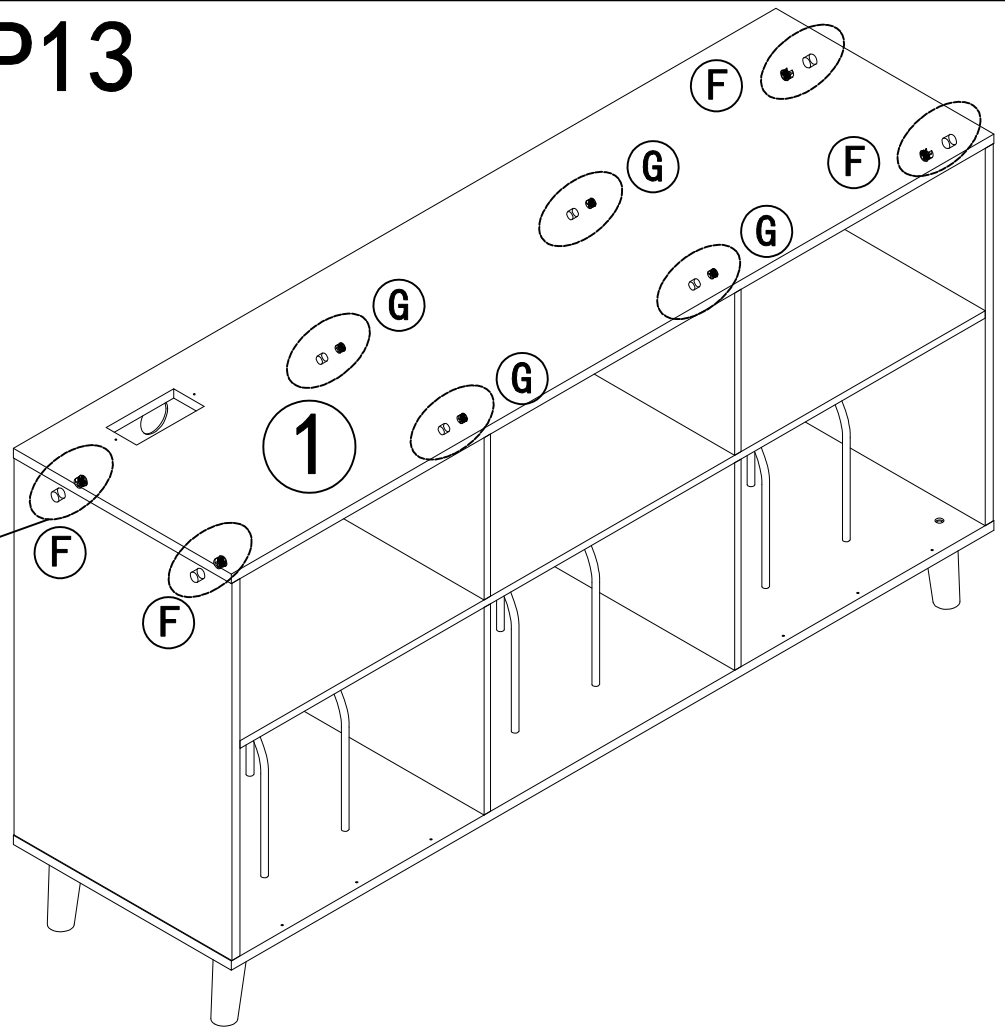


X8

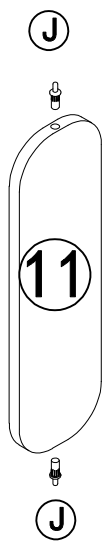
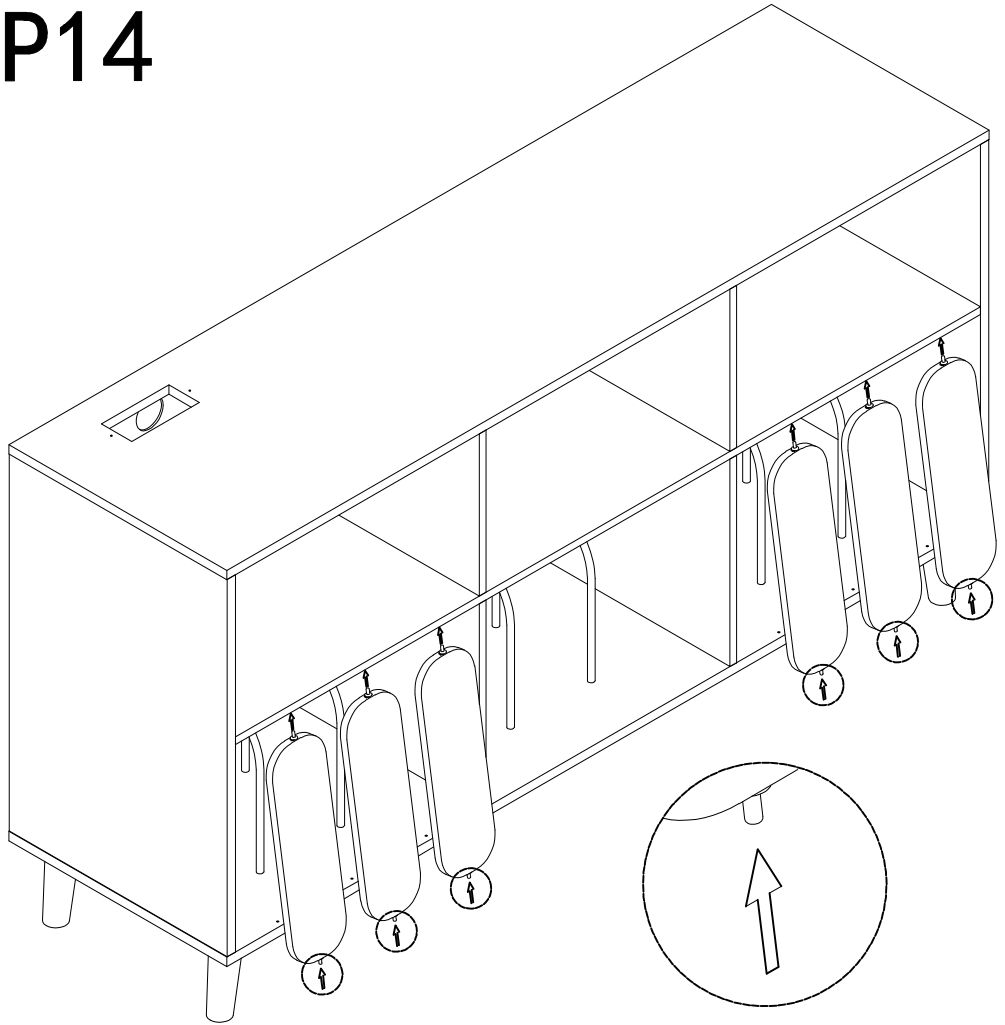




# STEP13



# STEP14



X6

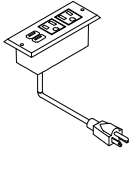
(E)

# STEP15

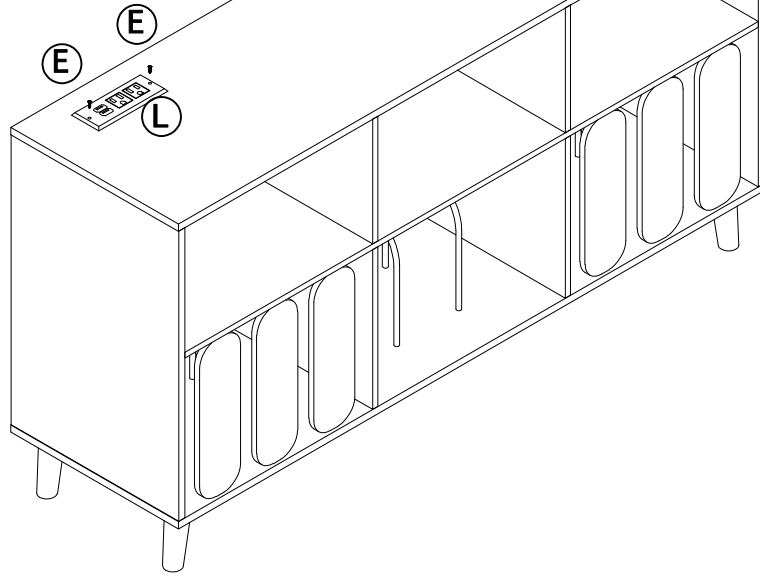


ST3.5\*14  
X2

(L)



X1



(E)

# STEP16

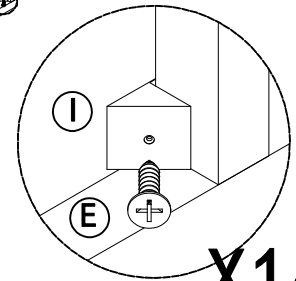
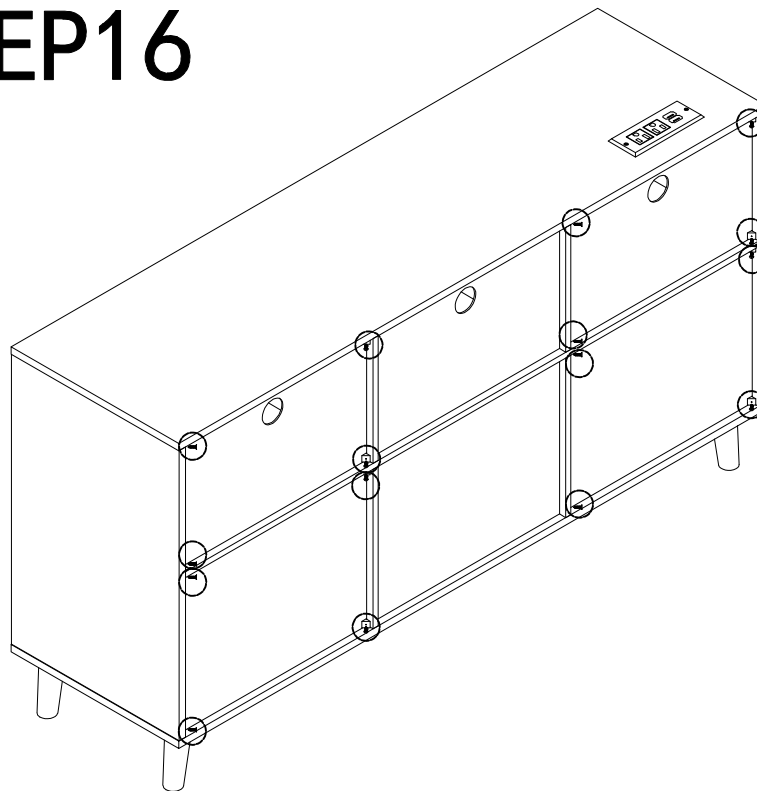


ST3.5\*14  
X16

(I)



X16



X16

## Trouble shooting:

Missing /Wrong / Broken parts and installation issues



Send email with your question, pic and order NO.



Respond within 24 hours



Issue resolved