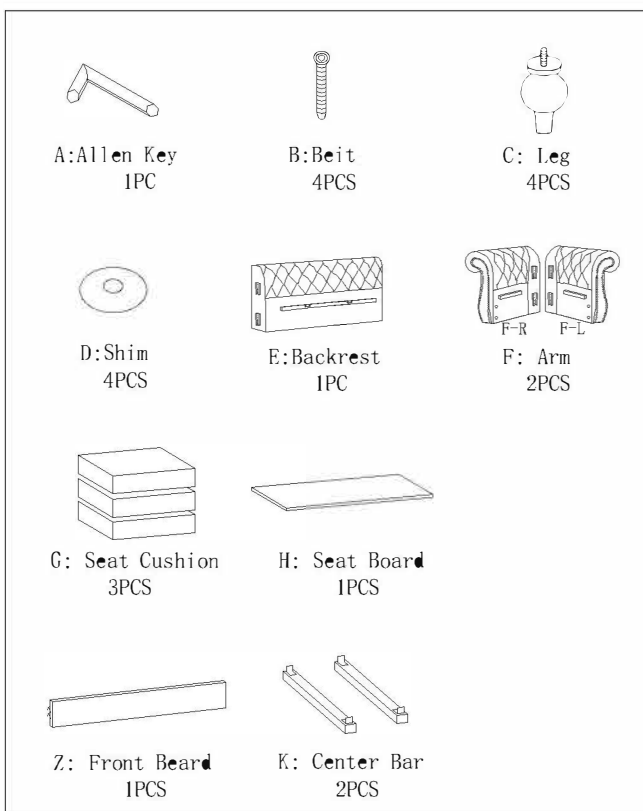
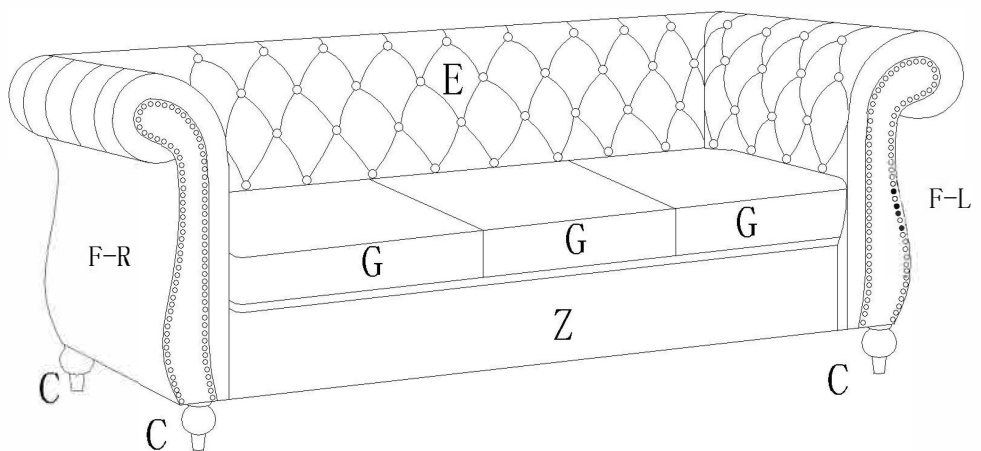
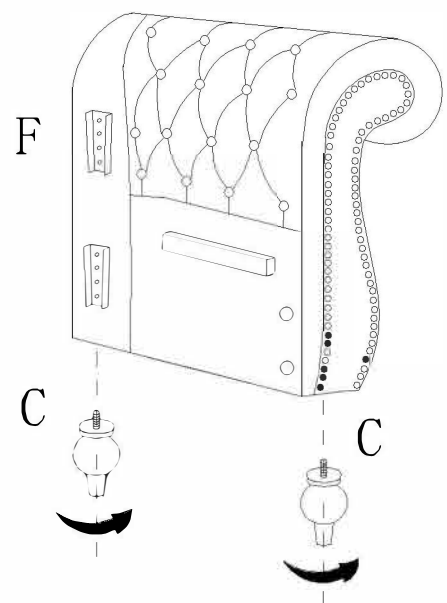


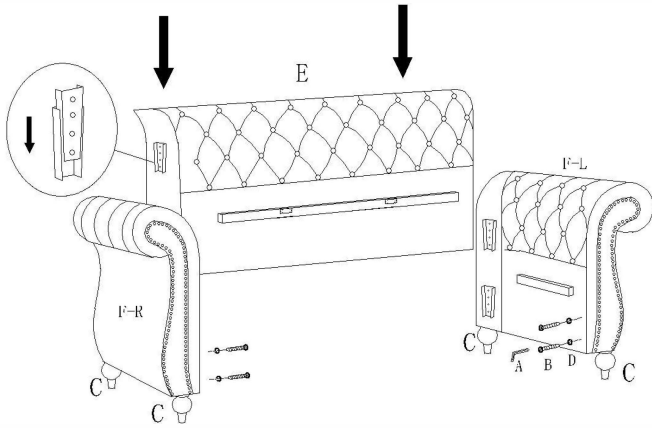
# ASSEMBLY INSTRUCTIONS



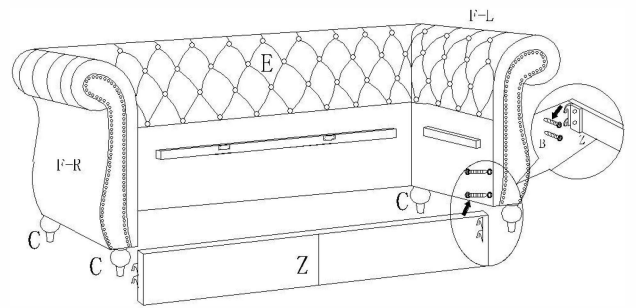
## STEP1



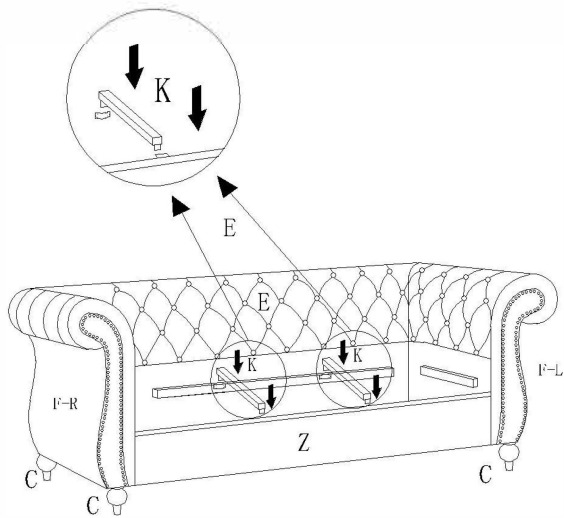
STEP2



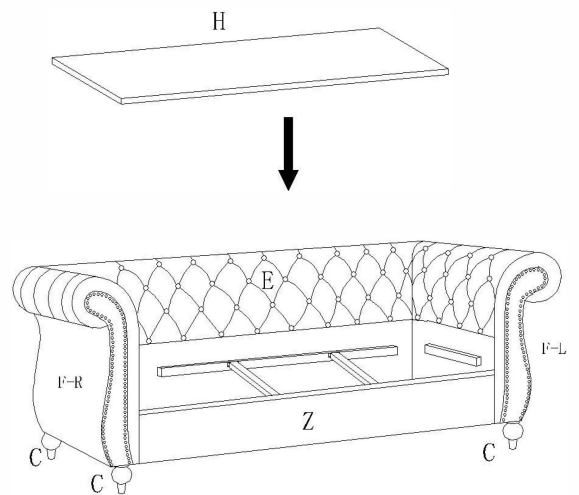
STEP3



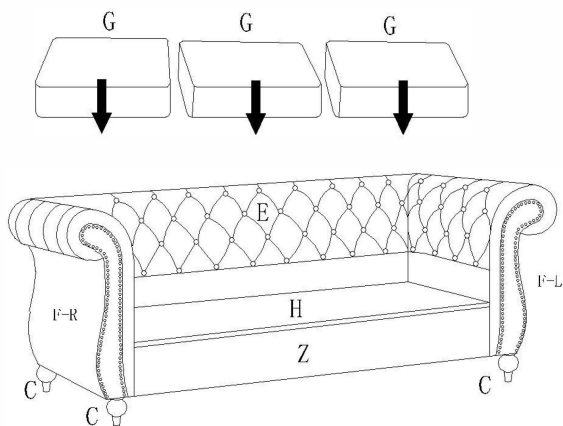
STEP4



STEP5



STEP6



STEP7

