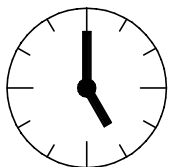
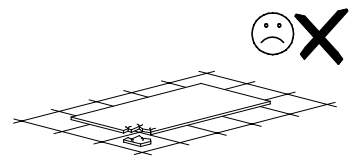
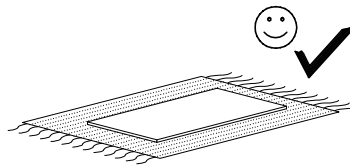
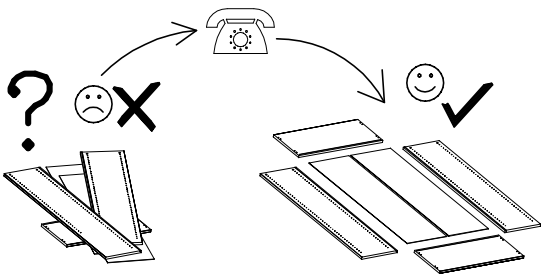
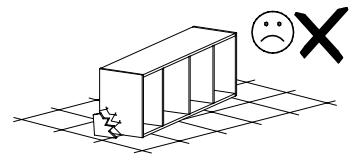
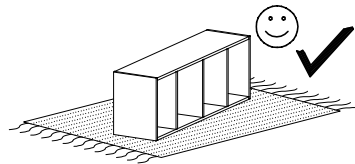
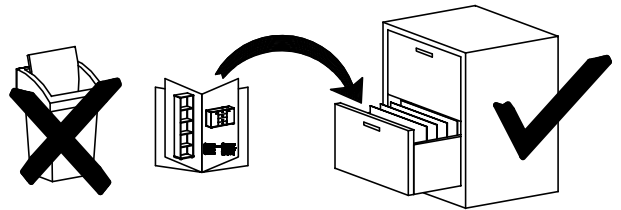
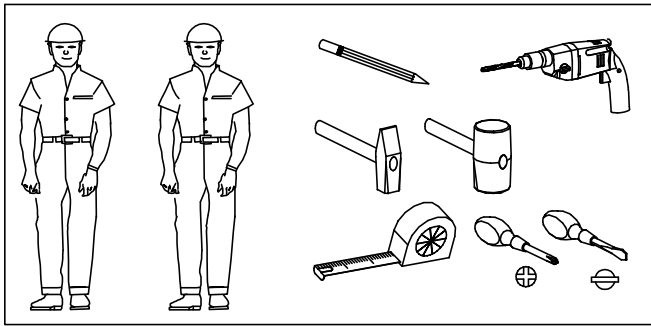
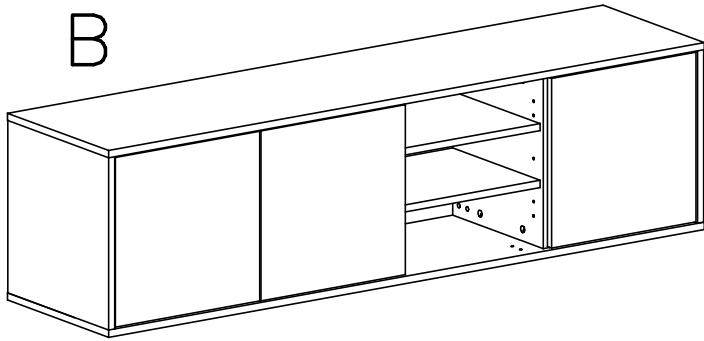
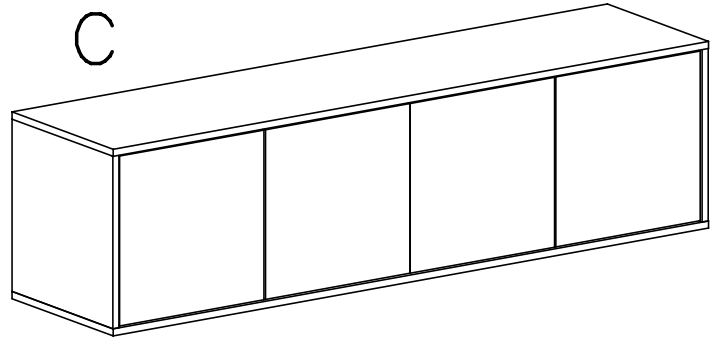
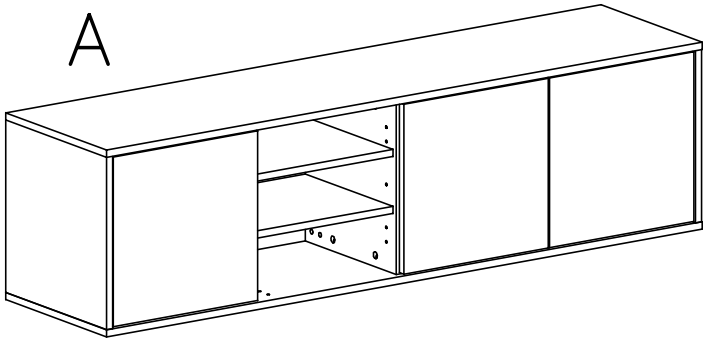
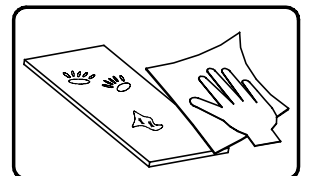
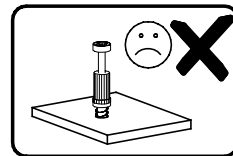
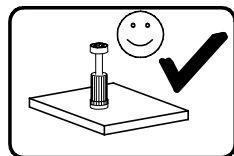
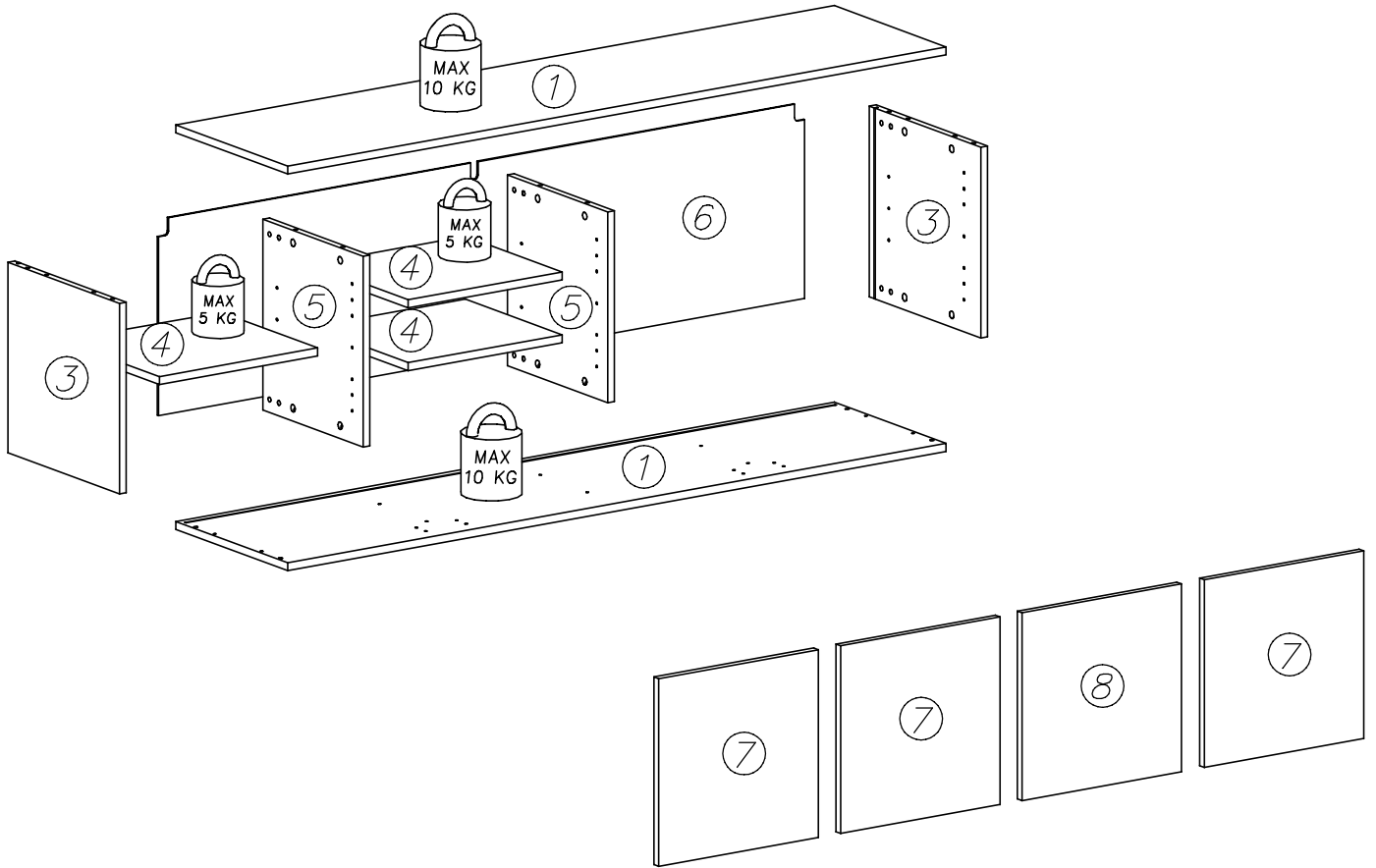
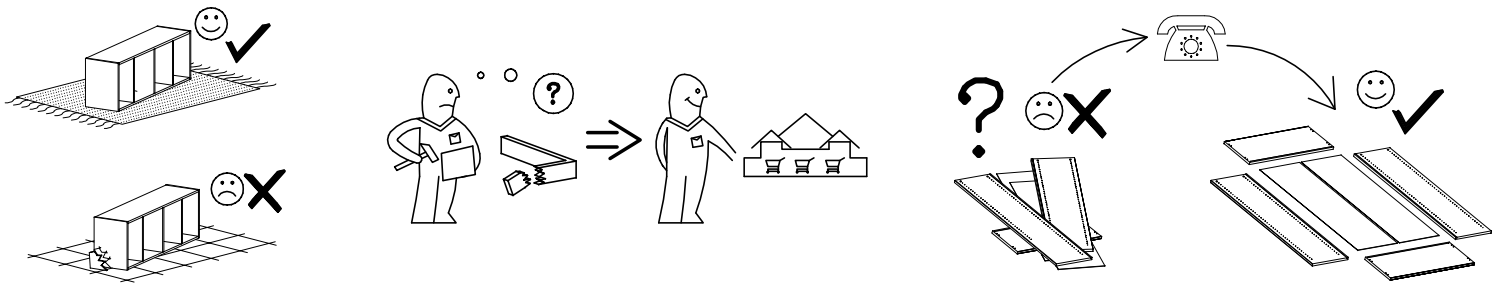


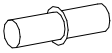
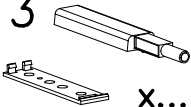

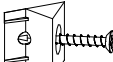

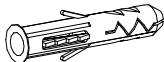

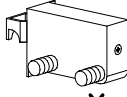
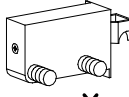



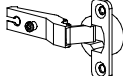
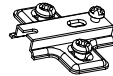

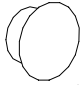
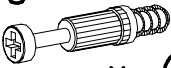


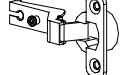

# Installation & Assembly



1,5h



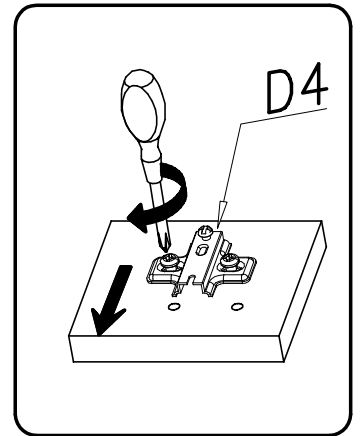
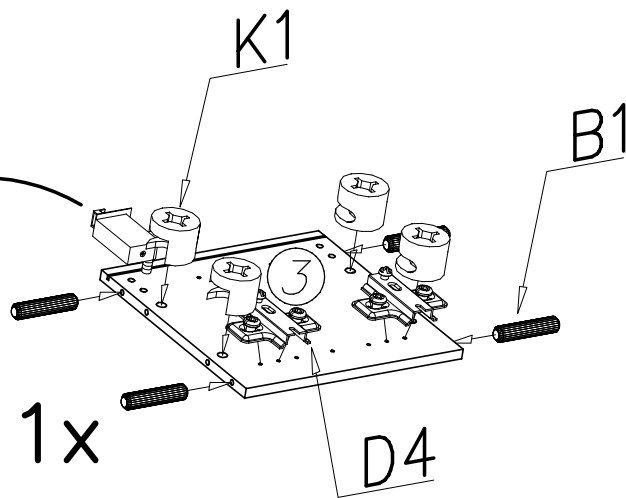
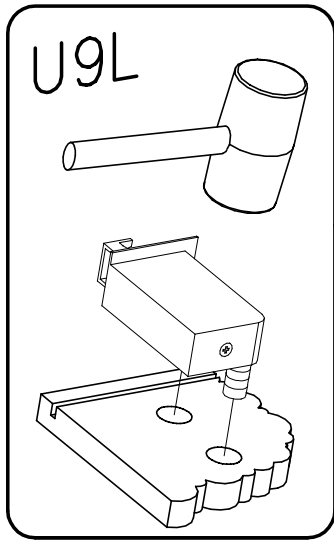
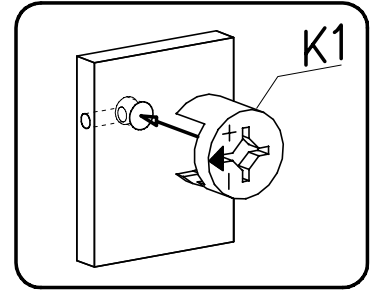
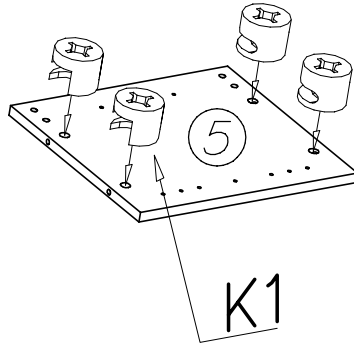


F2  x...(12)	L13  x...(4)	G34  3,5x16 x...(22)	I1  x...(10)	U7  x...(3)	U8  ø10x60 x...(3)
G50  6x13 x...(8)	U9L  x...(1)	U9R  x...(2)	U10L  x...(1)	U10R  x...(2)	
K1  ø15x12 x...(16)	C10  Z35PL x...(4)	D10  PZ35PL x...(4)	I4  ø5 x...(10)	I10  ø10 x...(10)	
K10  x...(16)	B1  ø8x35 x...(8)	I7  x...(16)	C4  Z350D x...(4)	D4  PZ350D x...(4)	H=2

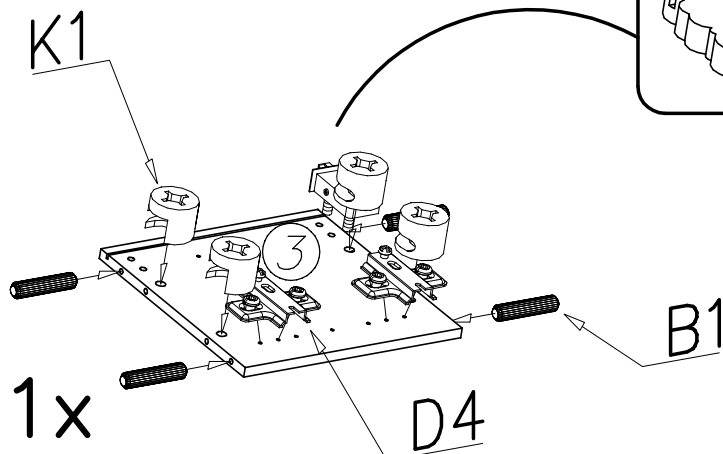
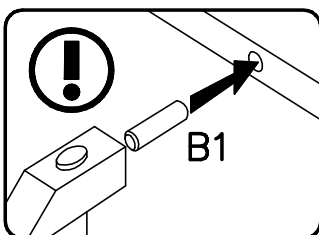
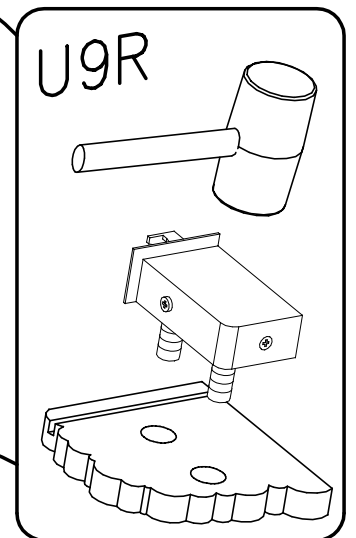
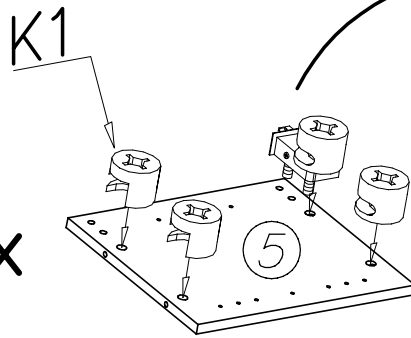
I



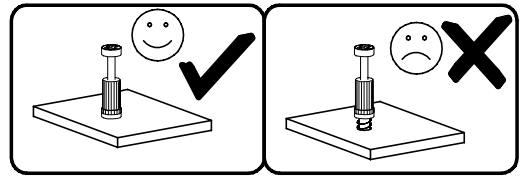
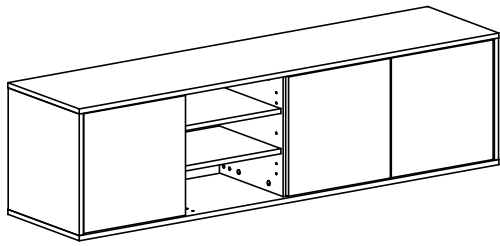
1x



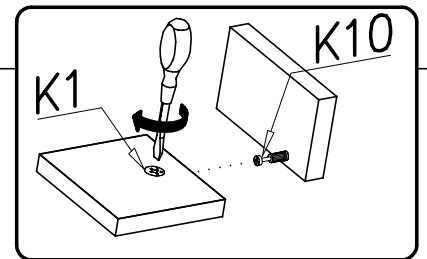
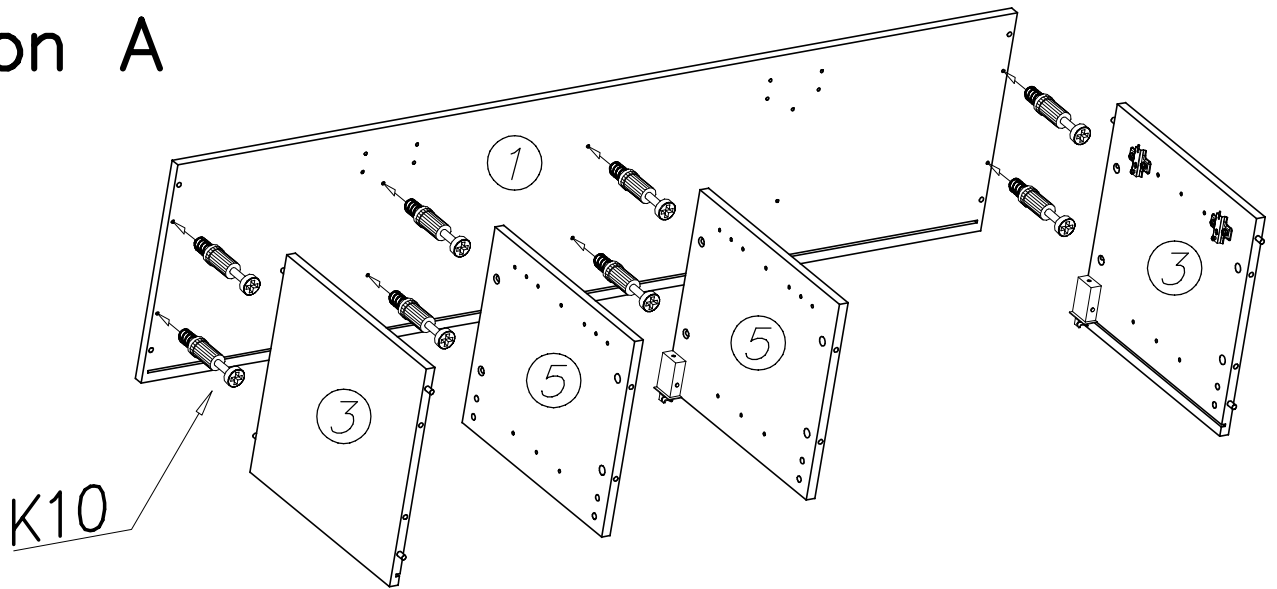
1x



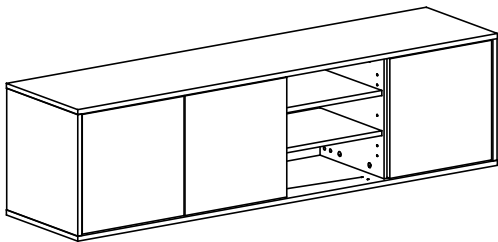
II



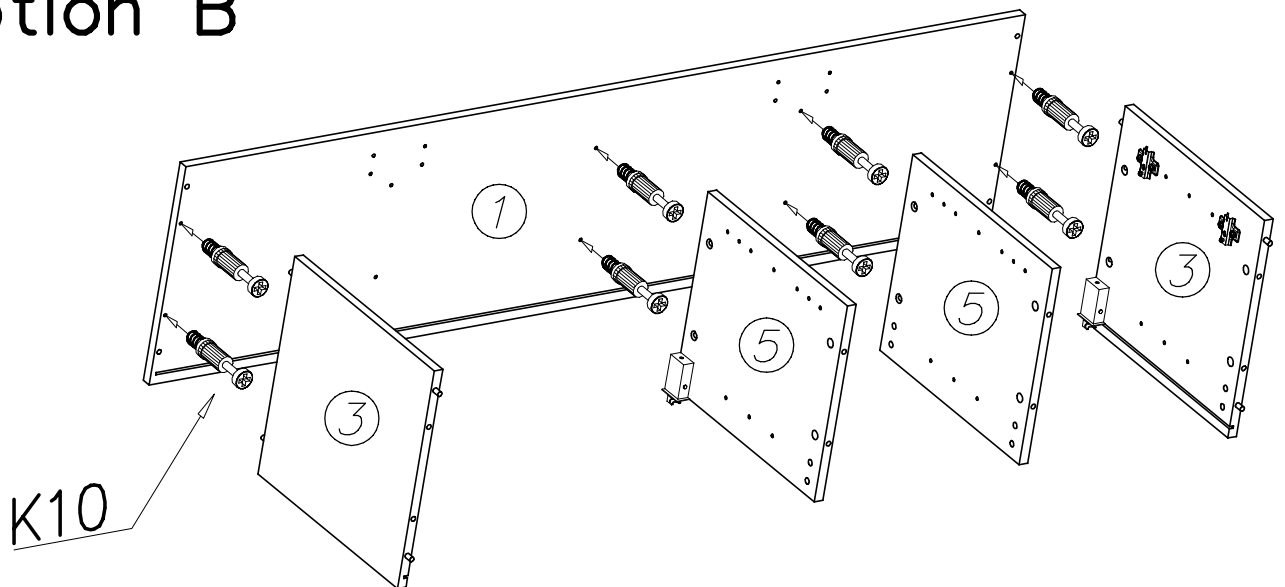
# Option A



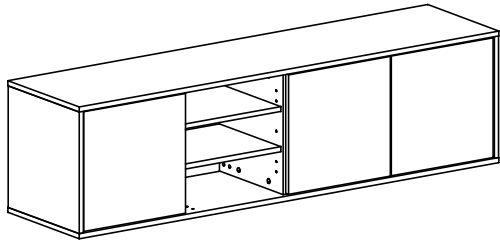
II



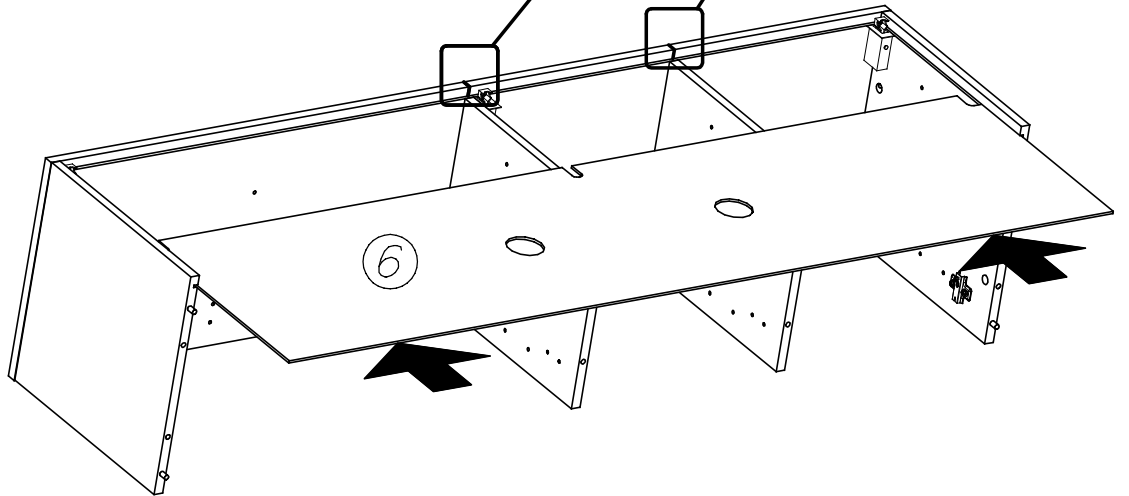
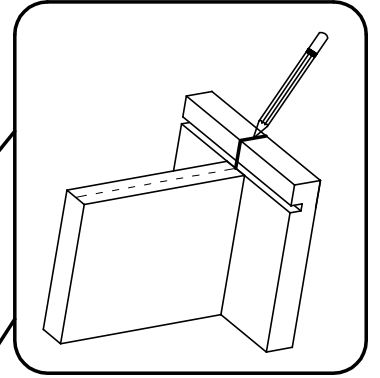
# Option B



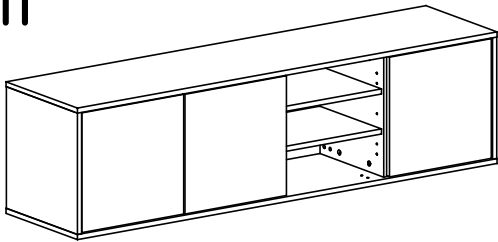
III



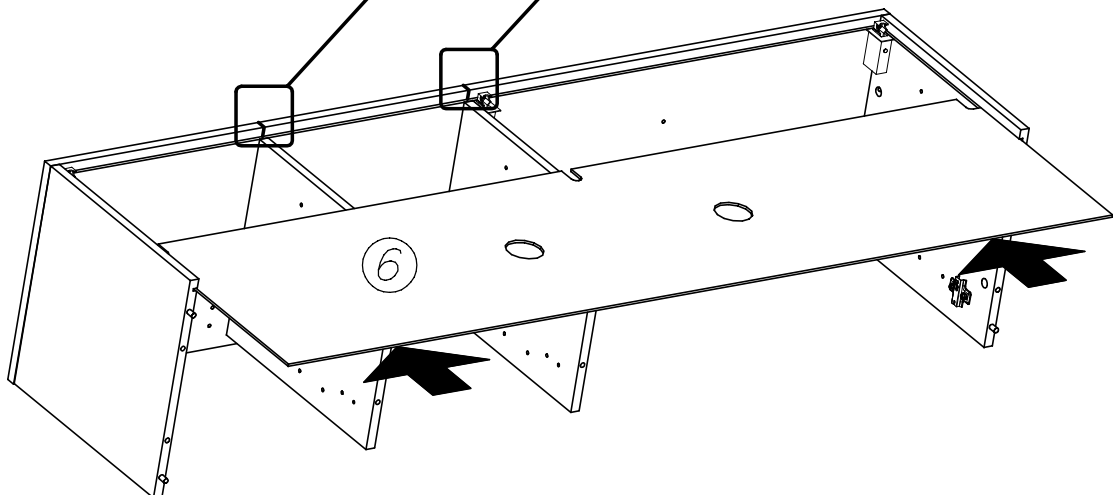
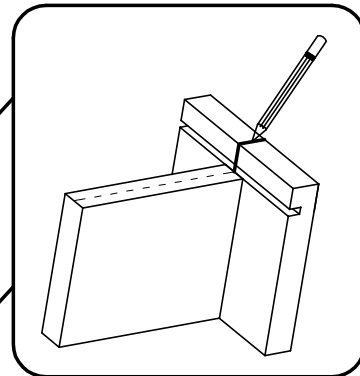
Option A



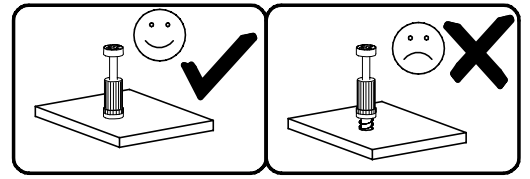
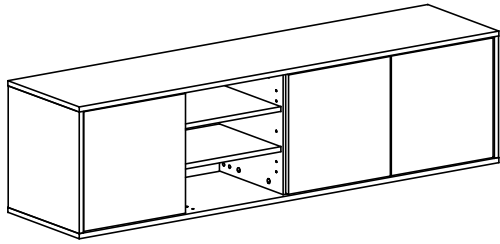
III



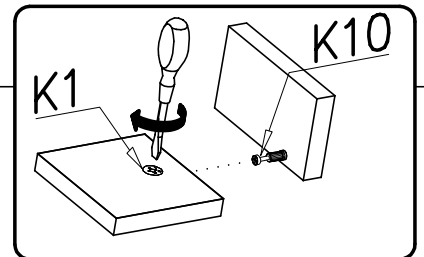
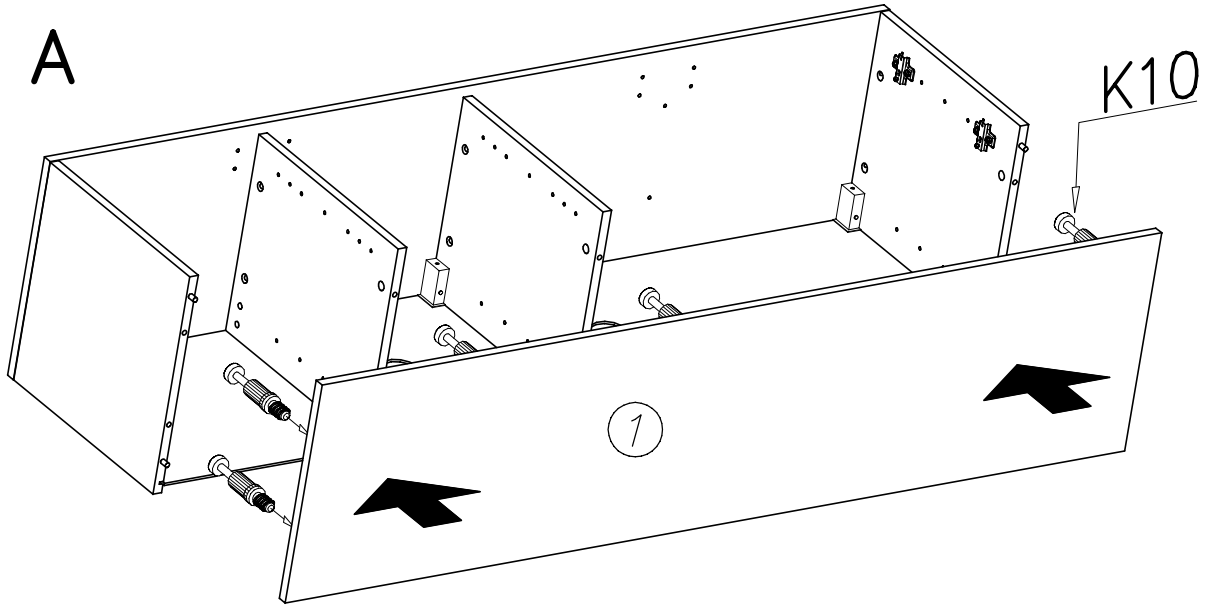
Option B



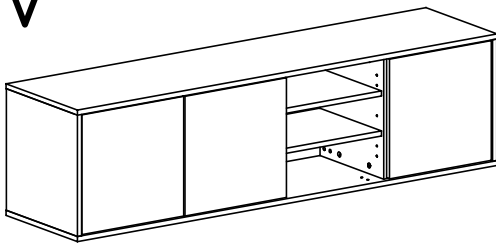
IV



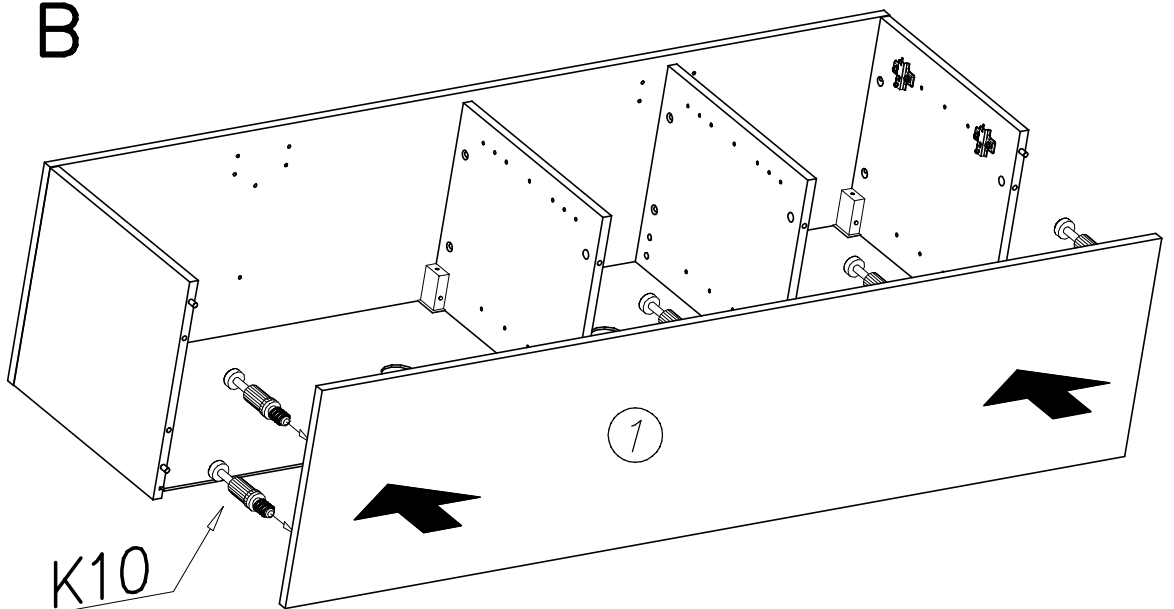
Option A



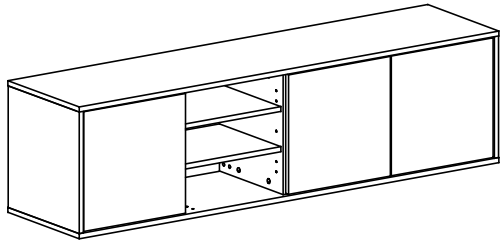
IV



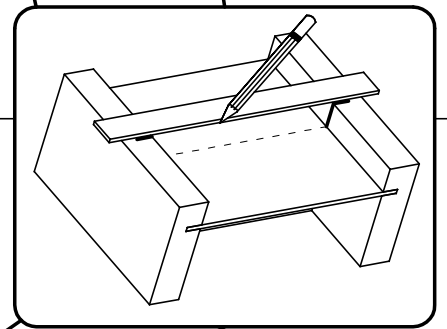
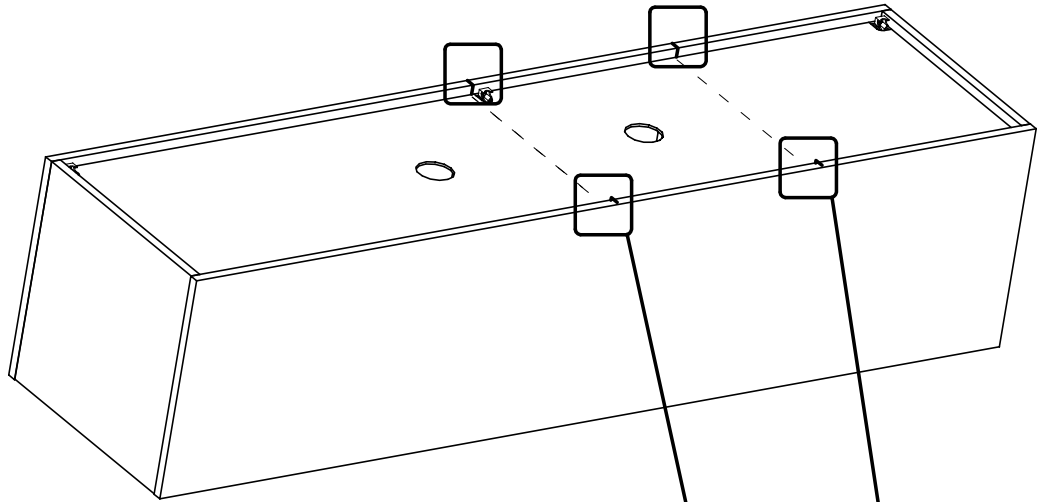
Option B



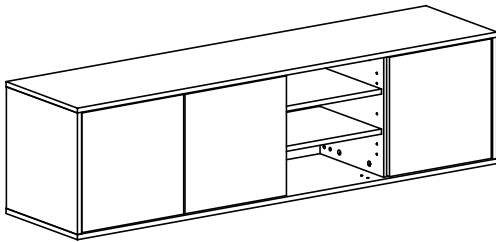
V



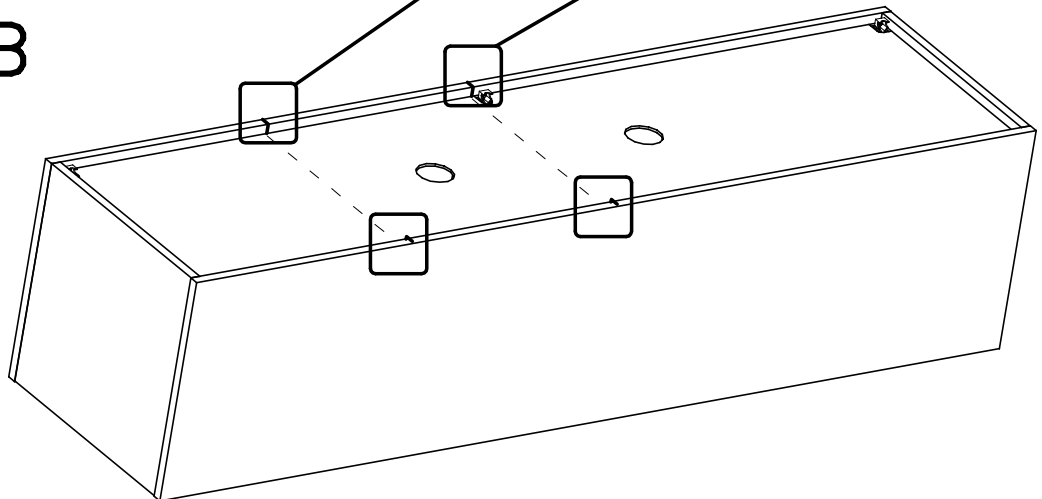
Option A



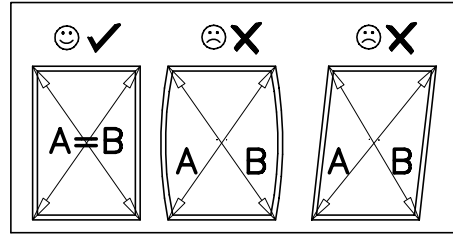
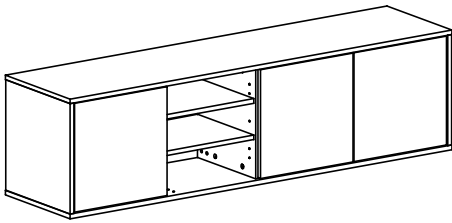
V



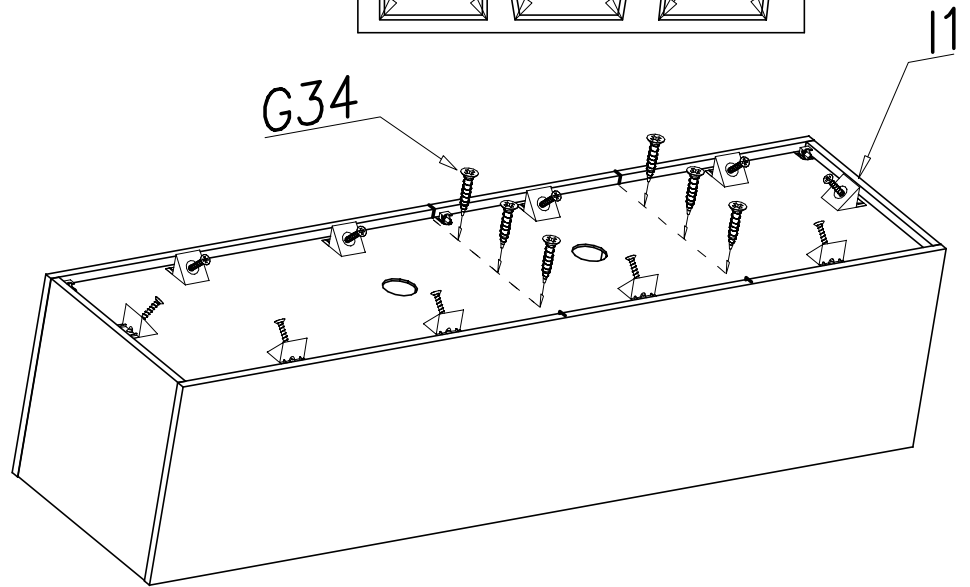
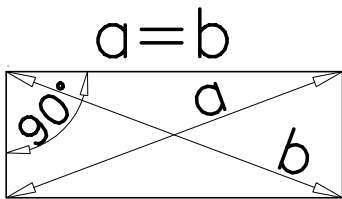
Option B



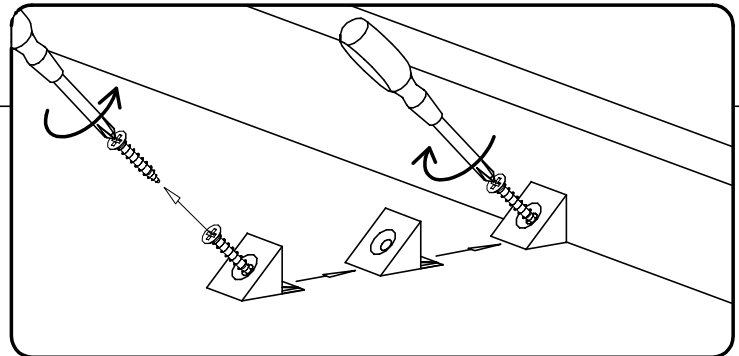
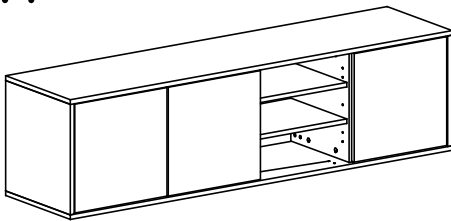
VI



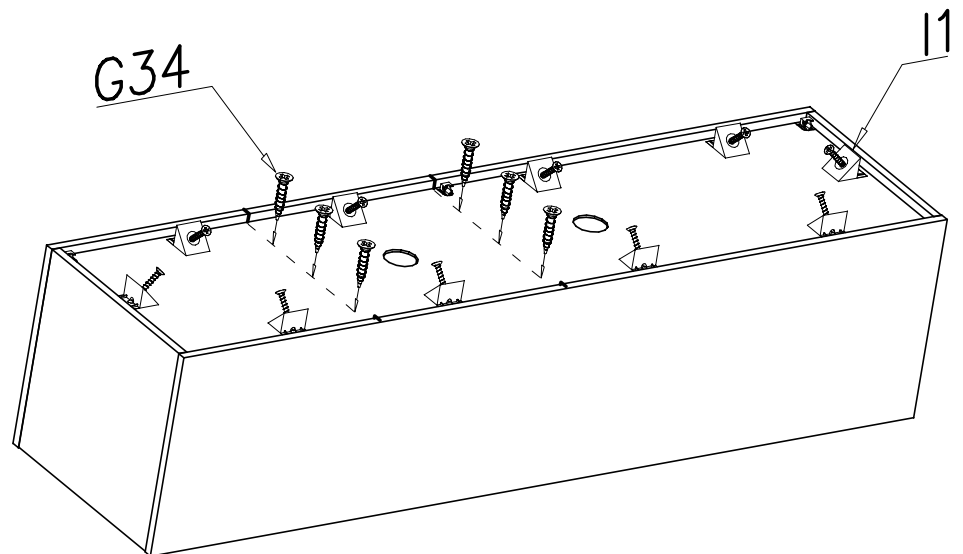
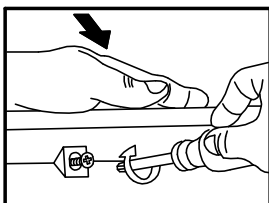
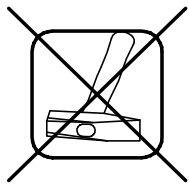
Option A



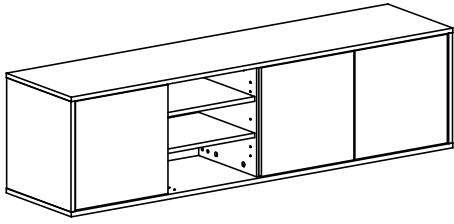
VI



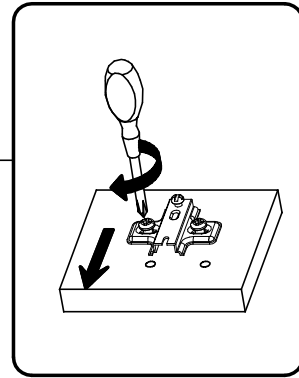
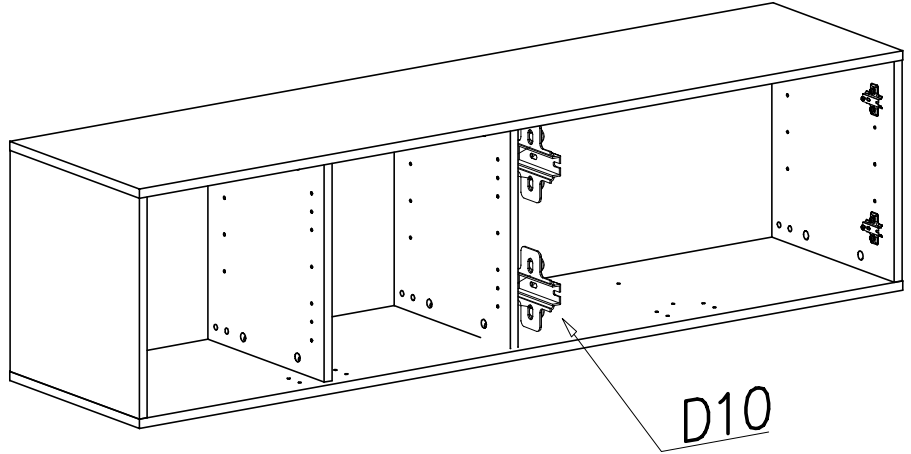
Option B



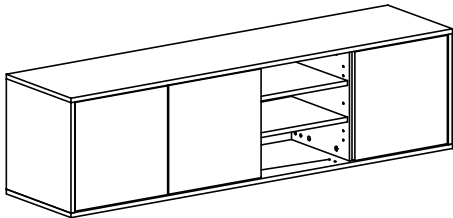
VII



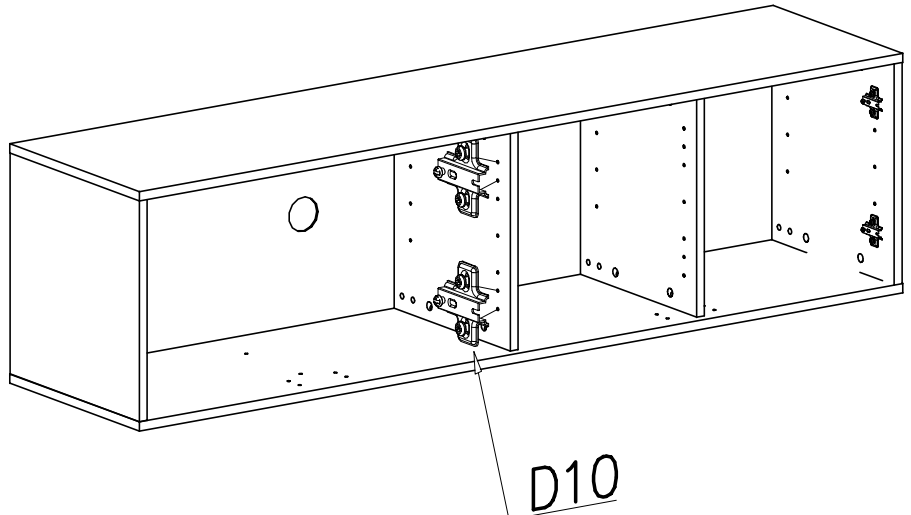
Option A



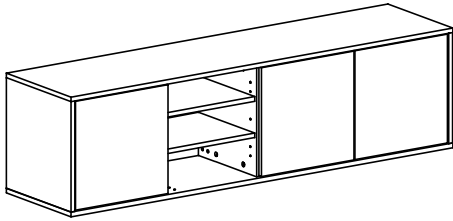
VII



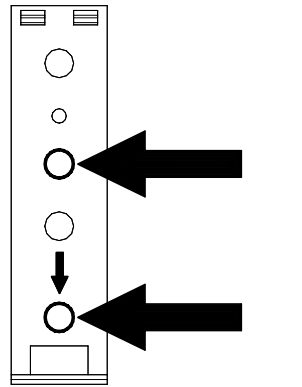
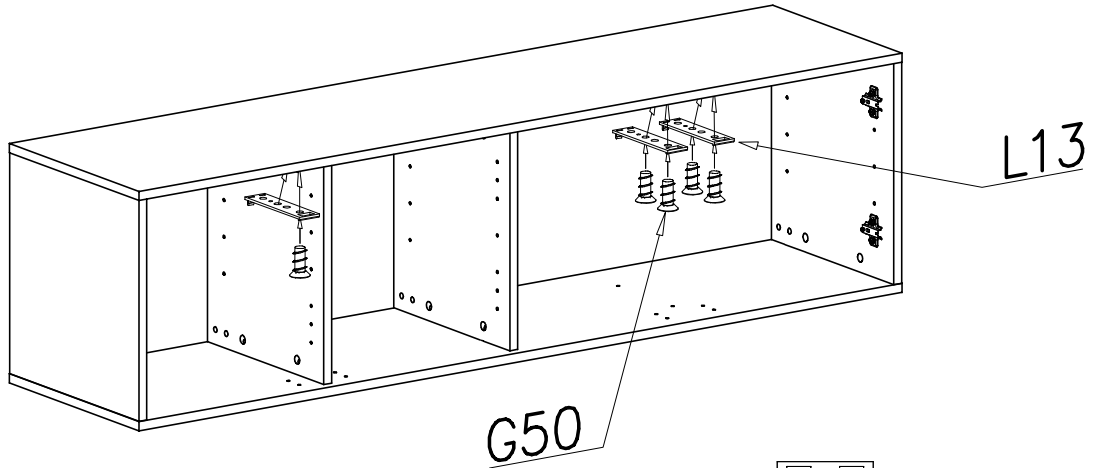
Option B



VIII

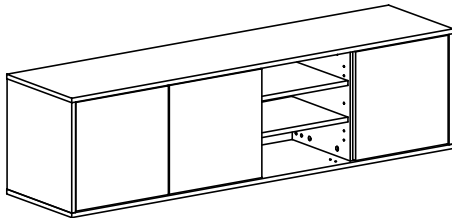


Option A

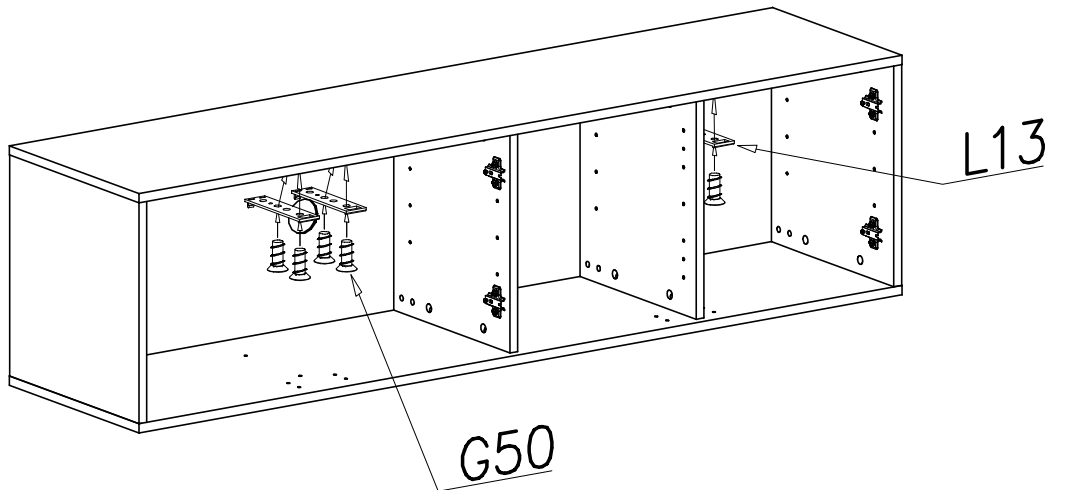


front

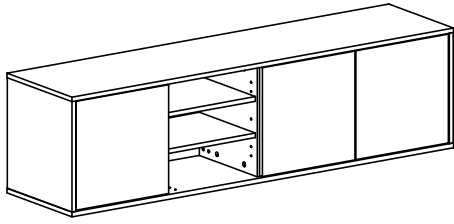
VIII



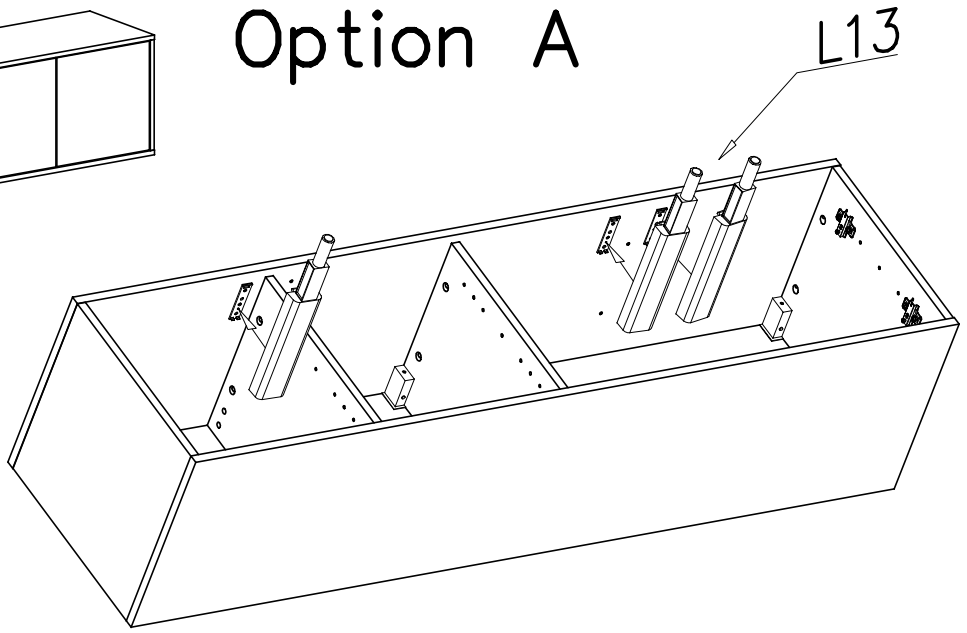
Option B



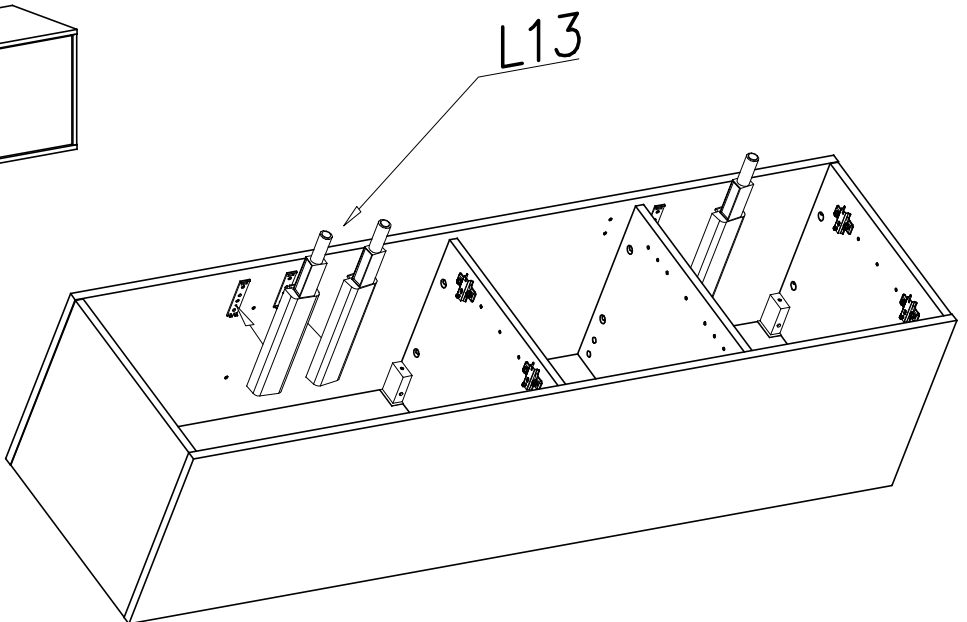
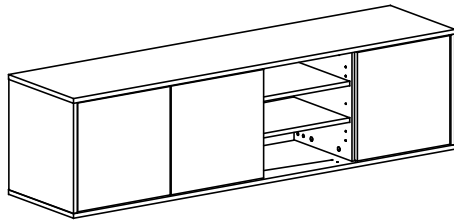
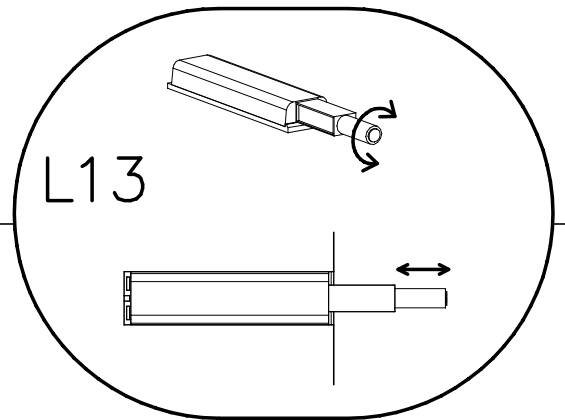
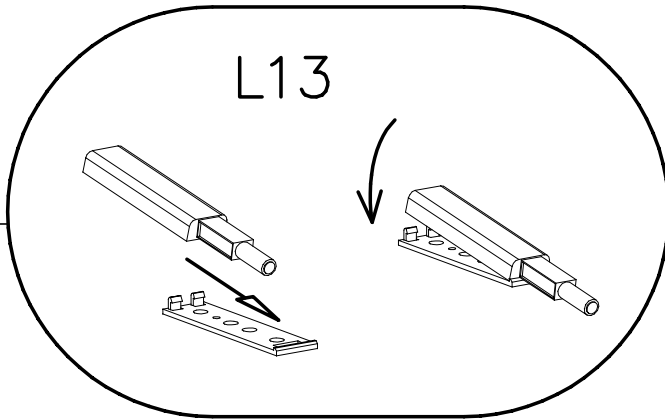
IX



Option A

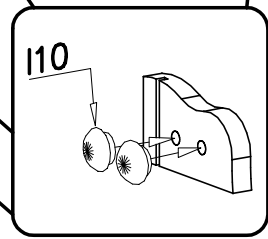
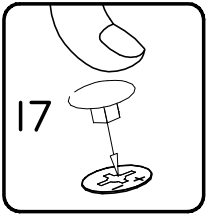
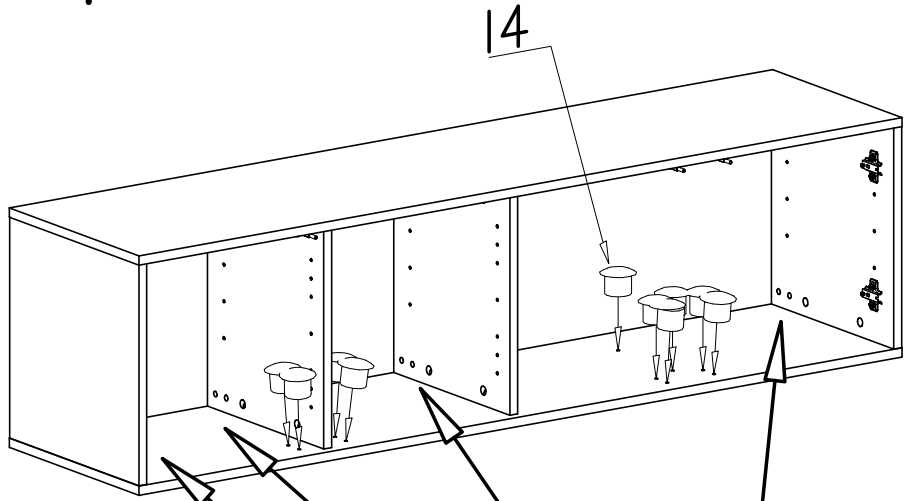
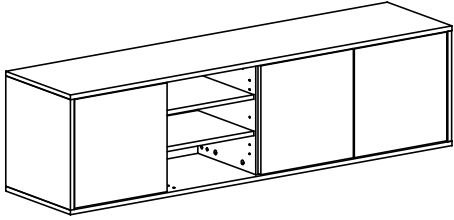


IX



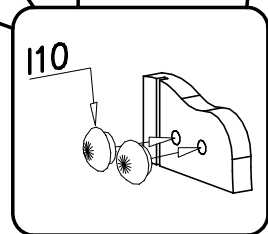
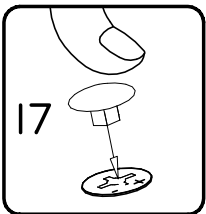
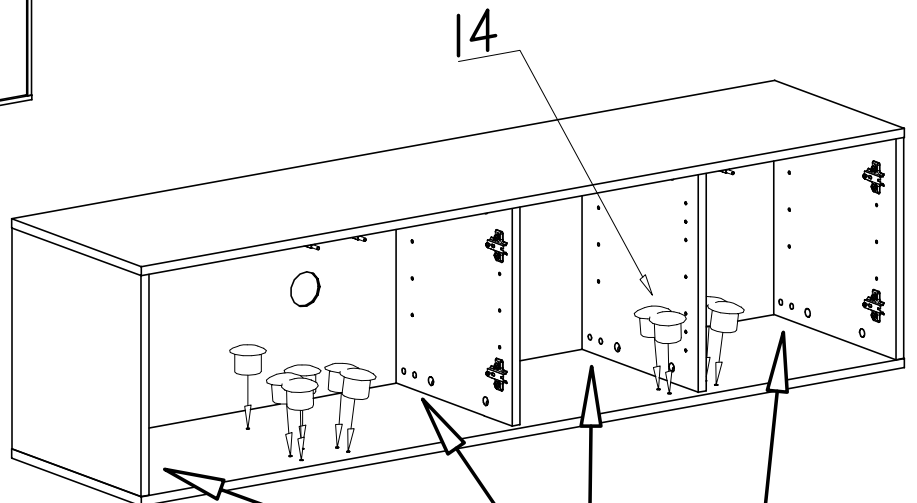
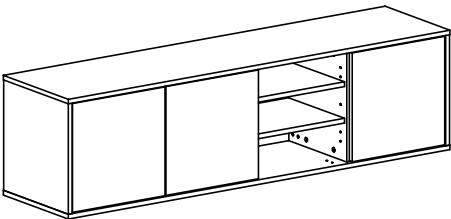
X

# Option A

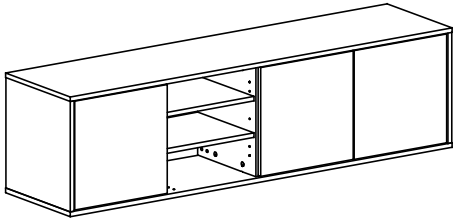


X

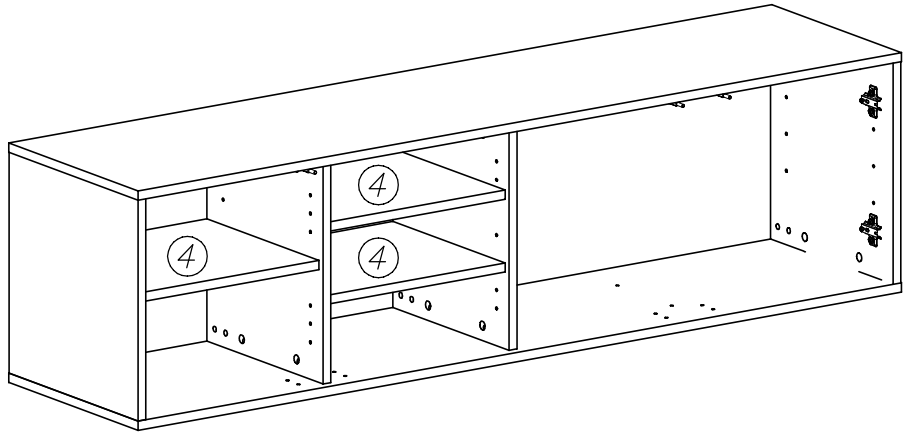
# Option B



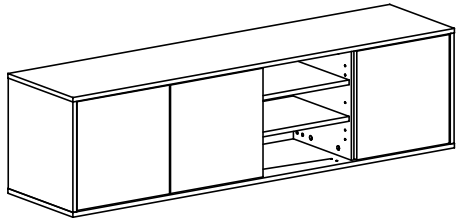
XI



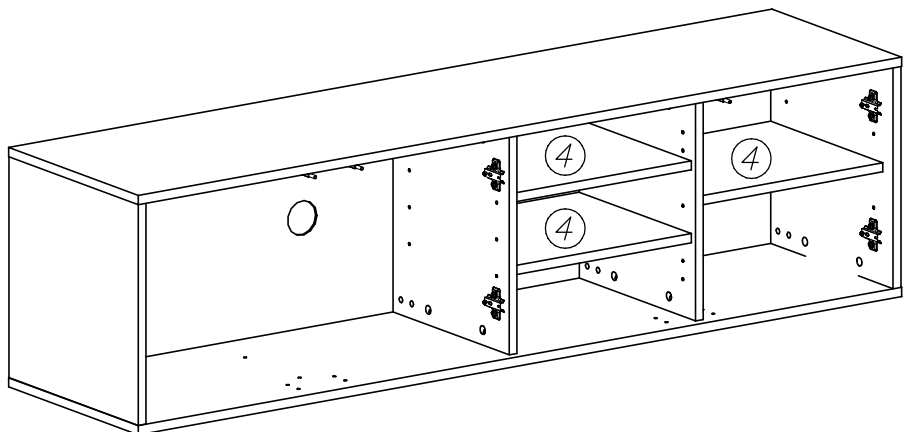
Option A



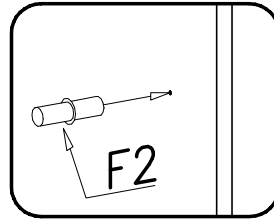
XI



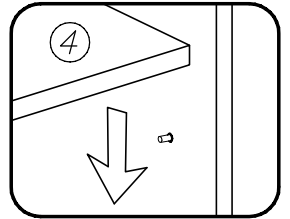
Option B



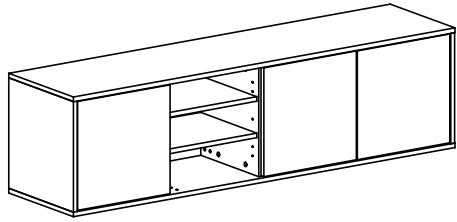
1



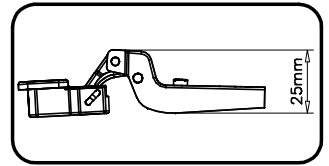
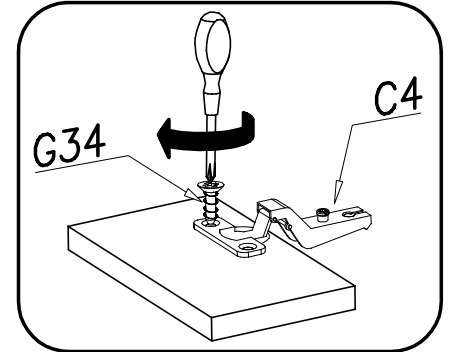
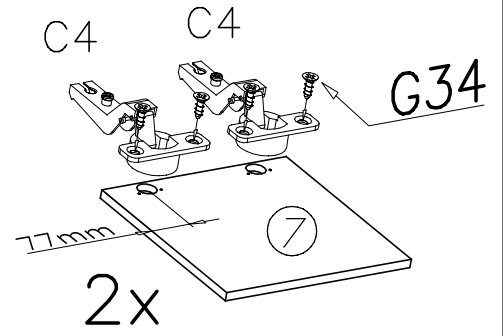
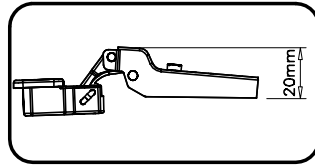
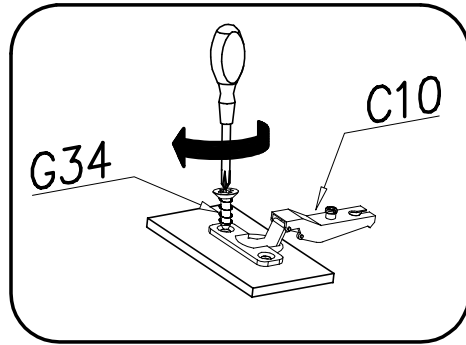
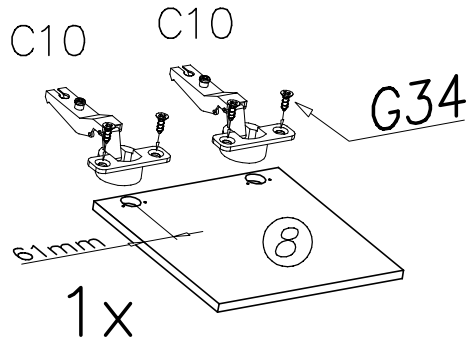
2



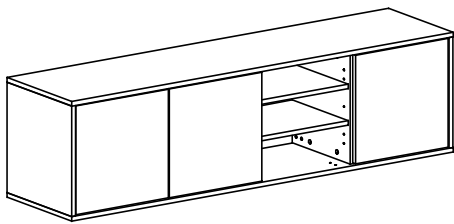
XII



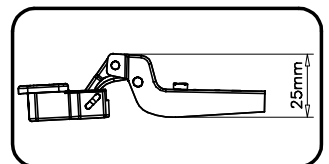
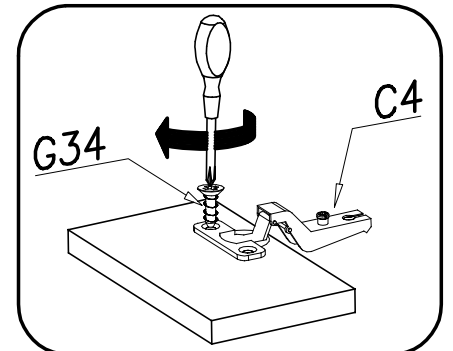
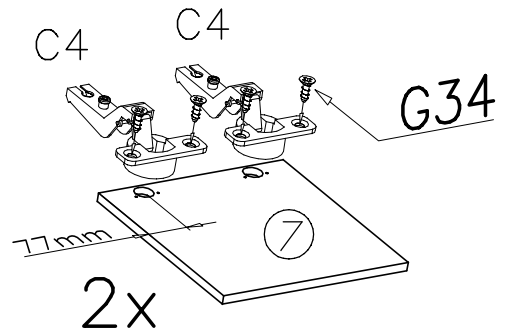
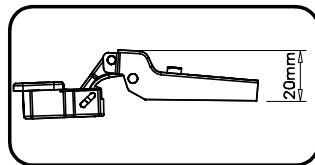
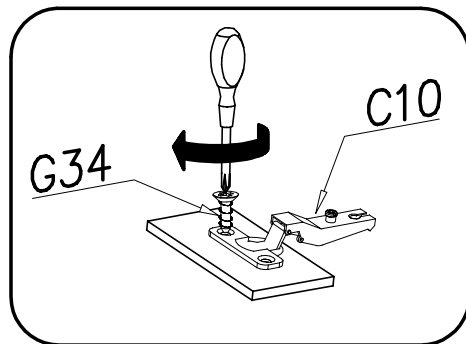
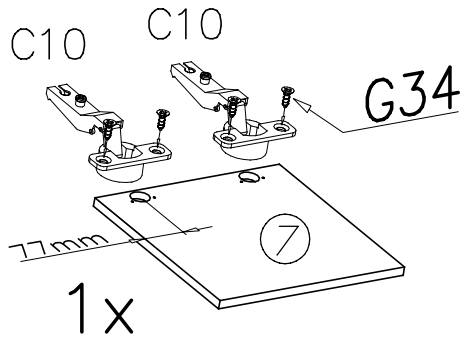
Option A



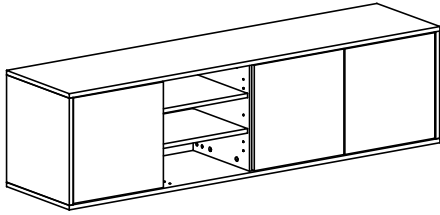
XII



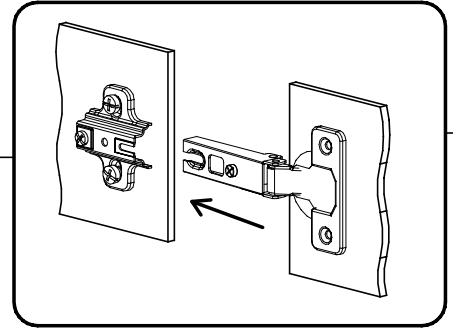
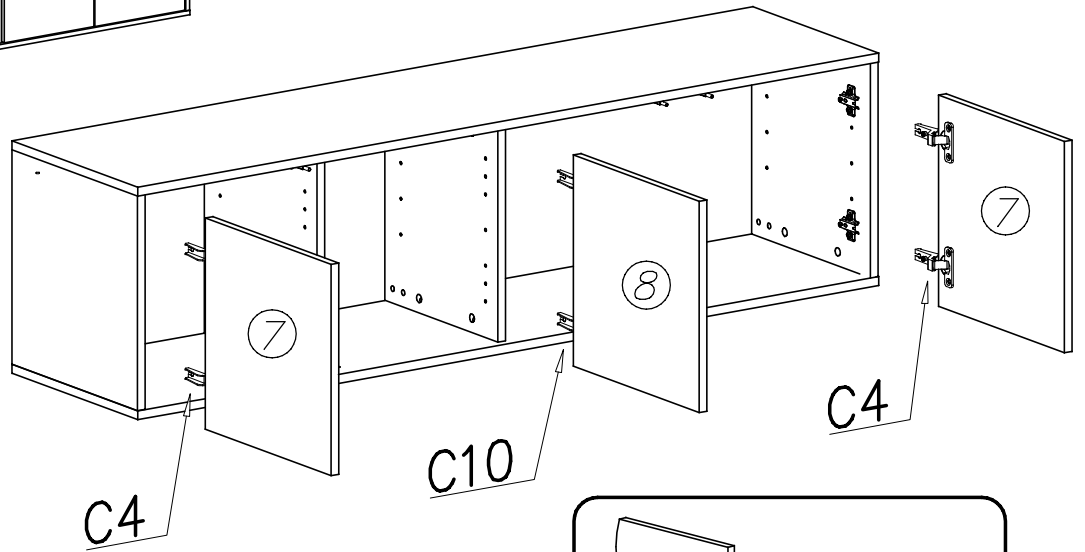
Option B



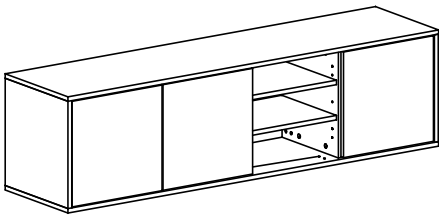
XIII



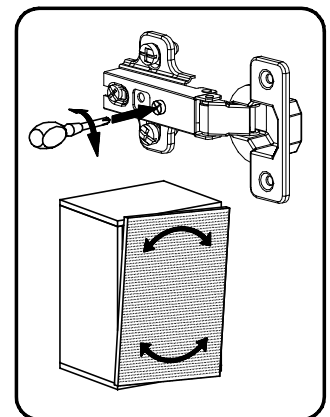
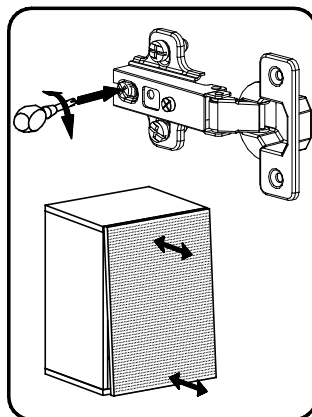
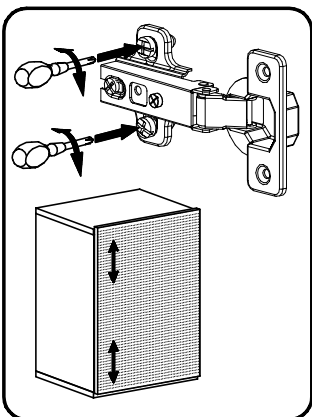
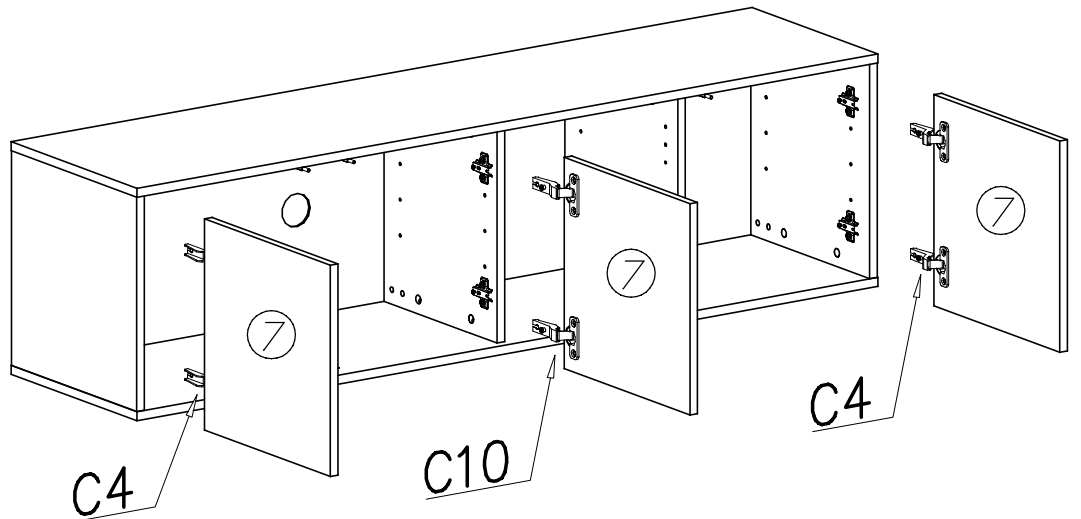
Option A



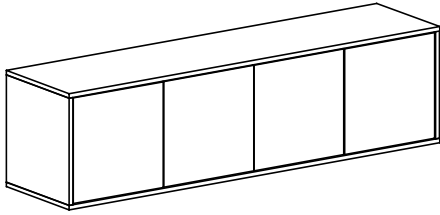
XIII



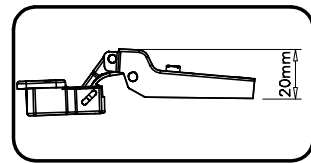
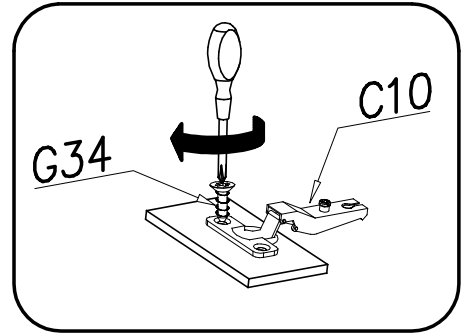
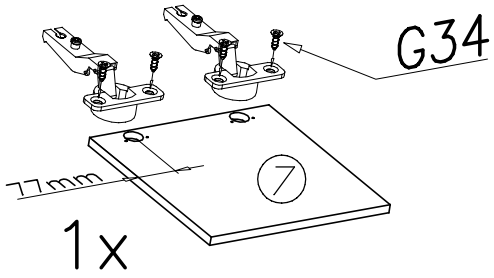
Option B



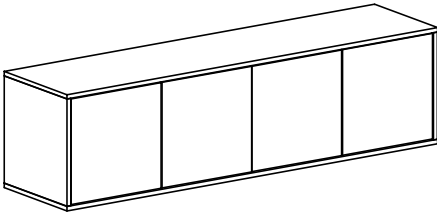
XIV



Option C



XV



Option C

