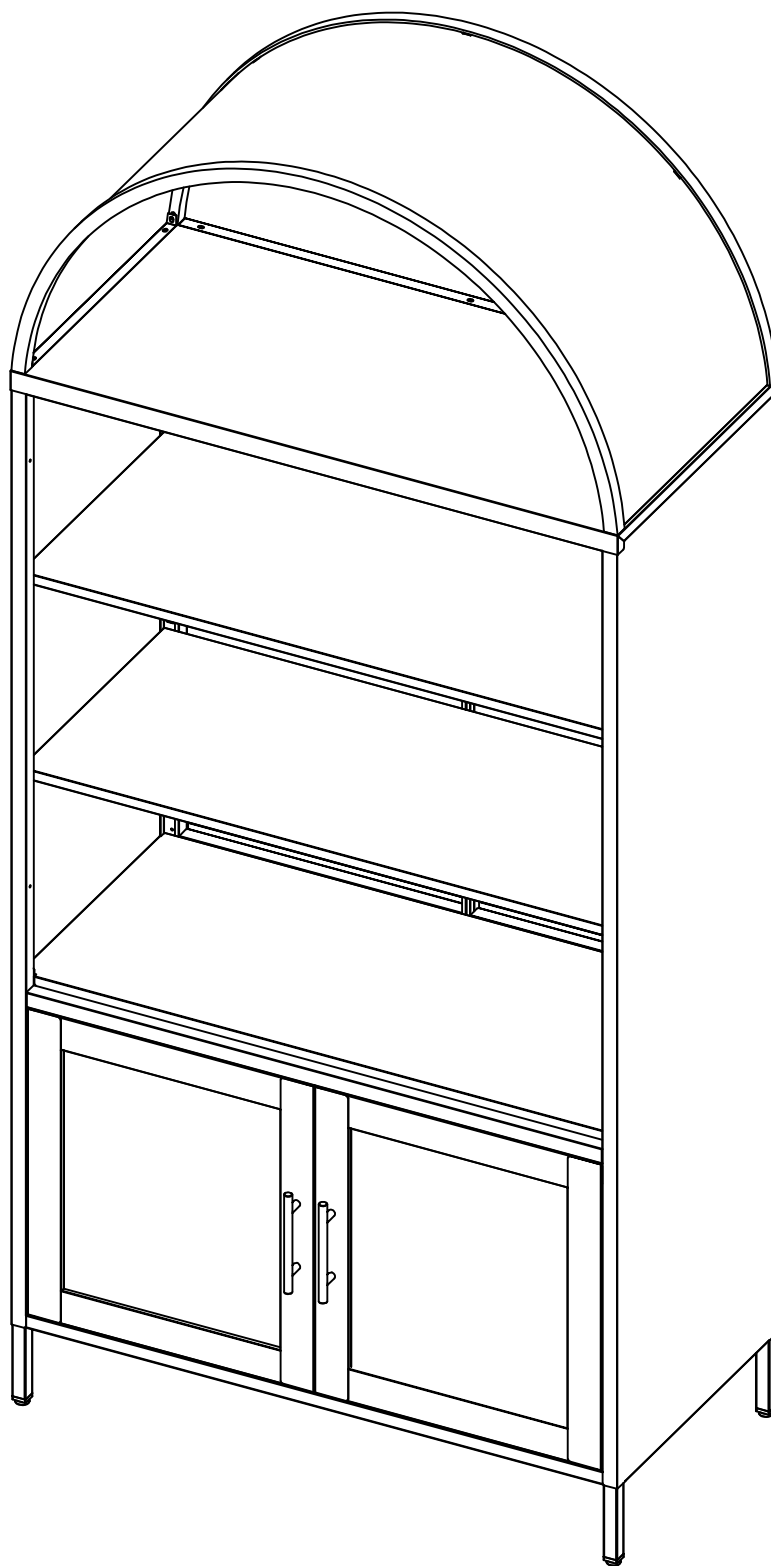
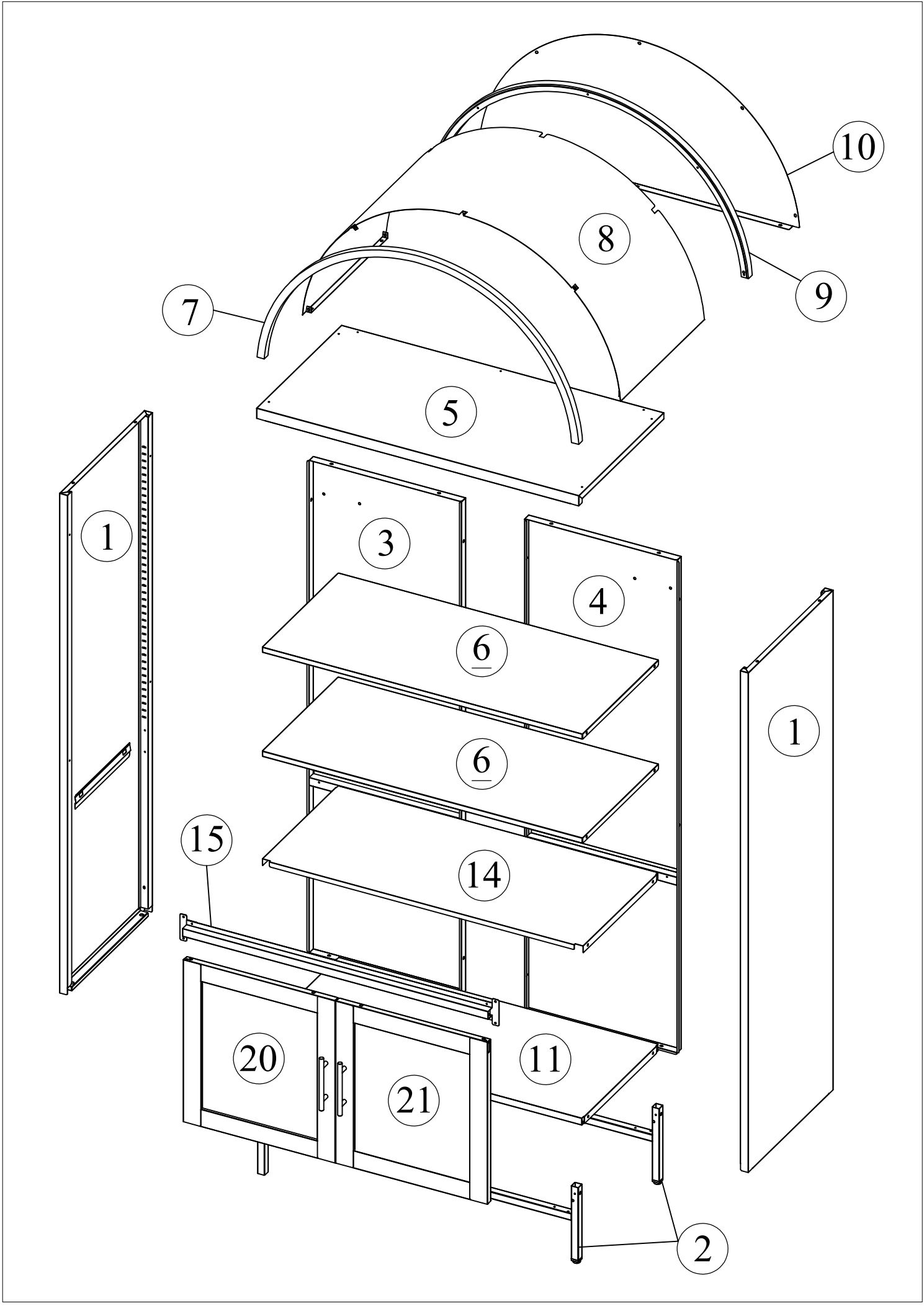
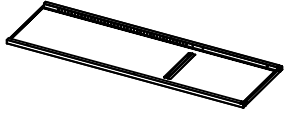
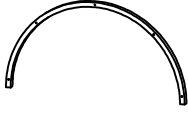


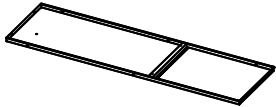

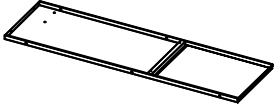

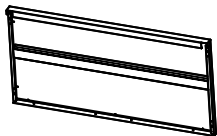

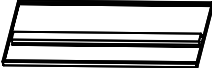
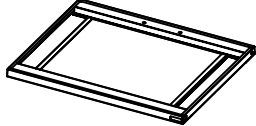

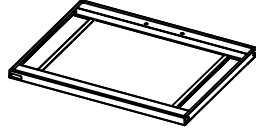
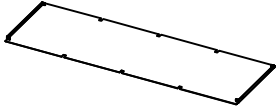


# Assembly Instructions


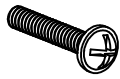

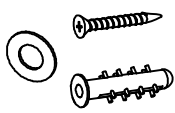



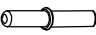
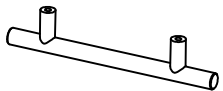





# Accessories

| Name |                  | Picture   | Qty | Name |                  | Picture   | Qty |
|------|------------------|---|-----|------|------------------|---|-----|
| 1    | Side panel       |    | 2   | 9    | Dome back tube   |    | 1   |
| 2    | Kick plate       |    | 2   | 10   | Dome back panel  |    | 1   |
| 3    | Left back panel  |   | 1   | 11   | Floor            |   | 1   |
| 4    | Right back panel |  | 1   | 14   | Waist panel      |  | 1   |
| 5    | Top panel        |  | 1   | 15   | Waist face       |  | 1   |
| 6    | Shelf            |  | 2   | 20   | Left steel door  |  | 1   |
| 7    | Dome front tube  |  | 1   | 21   | Right steel door |  | 1   |
| 8    | Dome panel       |  | 1   |      |                  |   |     |

# Accessories

| Name |              | Picture   | Qty | Name |                 | Picture   | Qty |
|------|--------------|---|-----|------|-----------------|---|-----|
| A    | 13/32 Screw  |    | 50  | F    | M4*22 screw     |    | 4   |
| B    | M5 Nut       |    | 3   | I    | Expansion screw |    | 2   |
| C    | M5*10 Screw  |    | 3   | J    | Magnet          |    | 4   |
| D    | Shelf clasp  |  | 8   | K    | Door pivot      |  | 2   |
| E    | The doorknob |  | 2   | L    | Shim            |  | 4   |



**CAUTION**

An assistant is required.

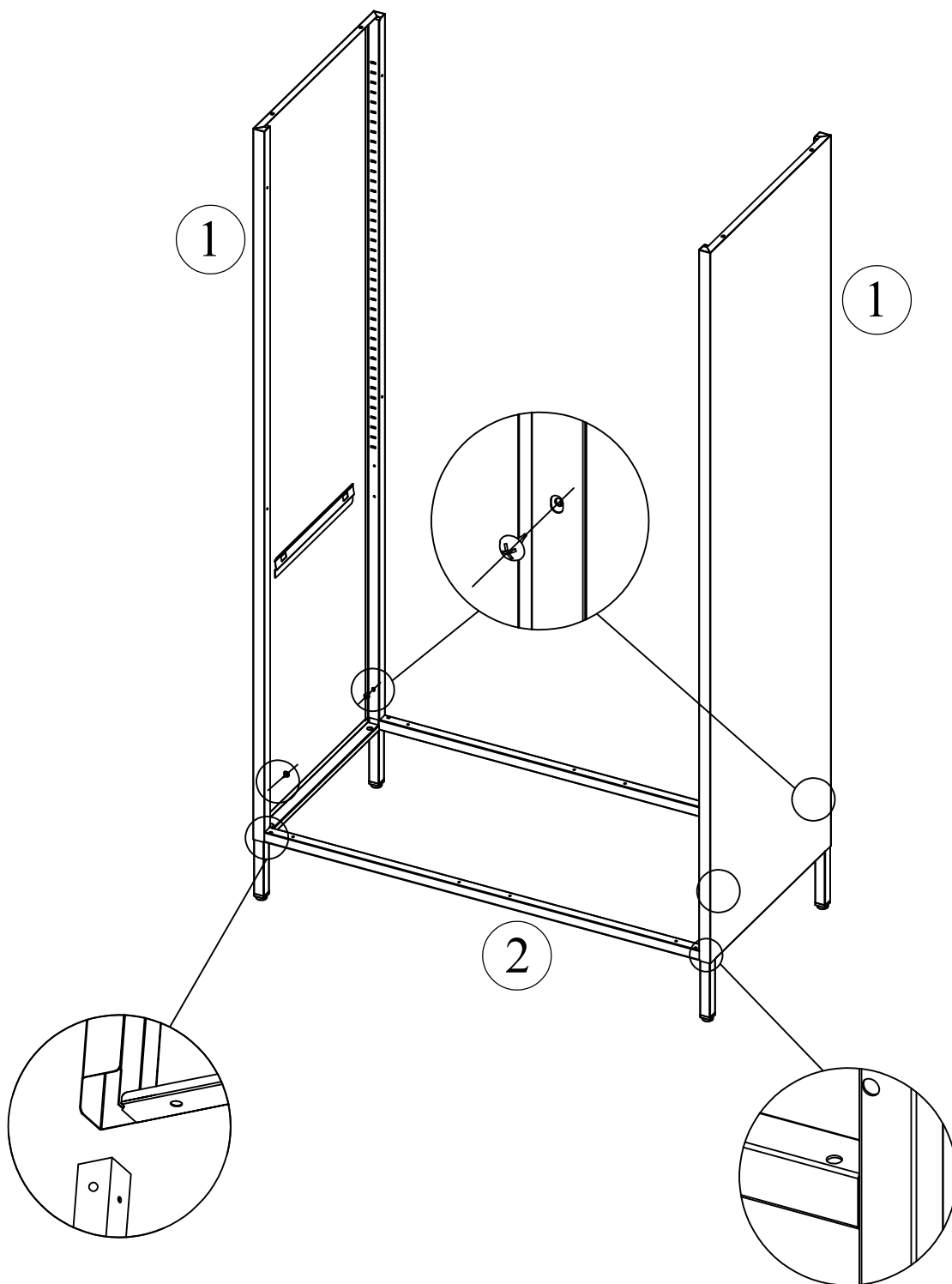
If there is any problem, please feel free to contact our customer service team and we are always here to assist with you!

If there is any slight dent or damage, you can try to fix it by pliers or hammers.

# Step 1

Insert side panels 1 into kick plates 2 and fix them with screws A

(A)  × 4

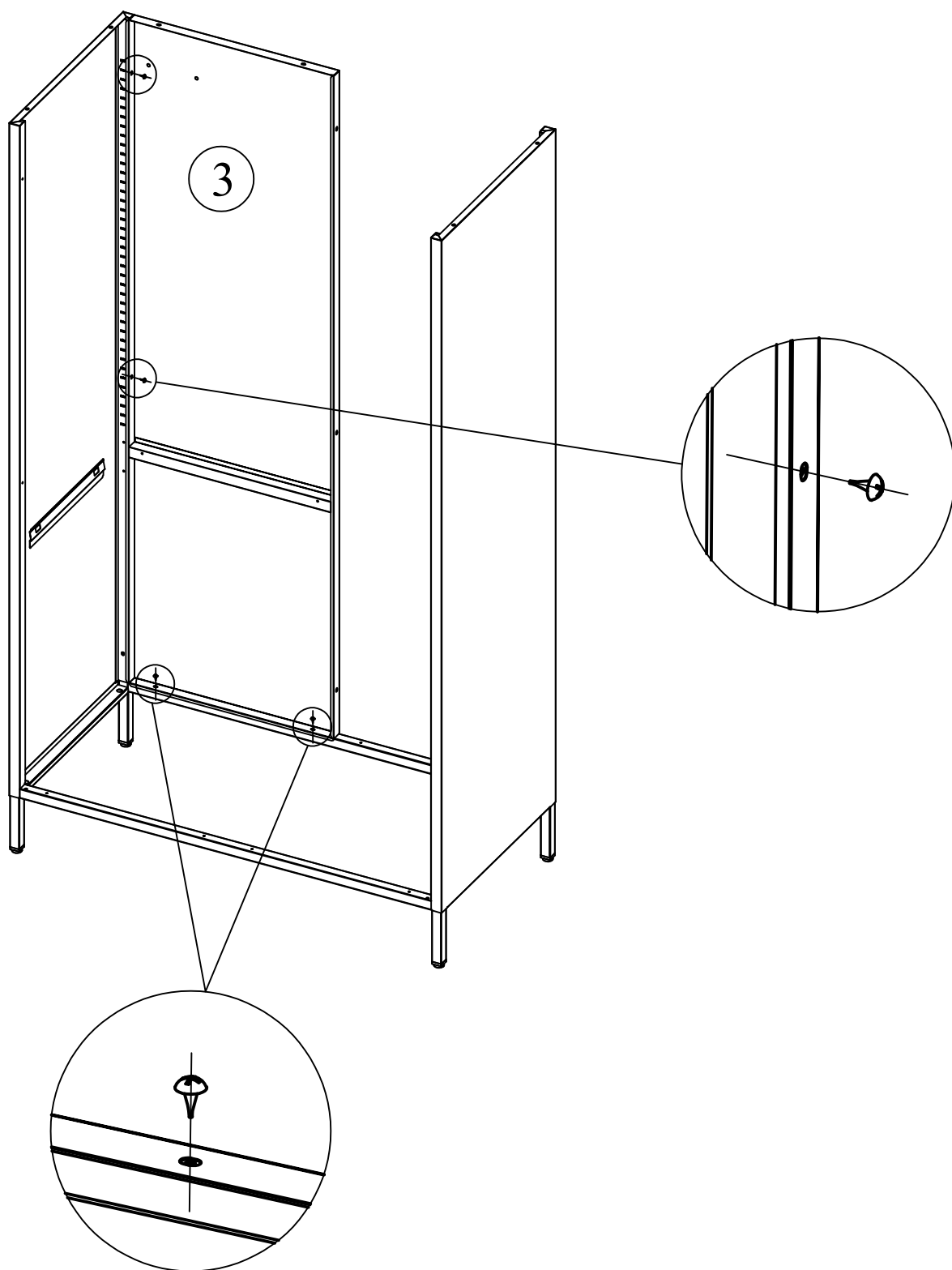


The door shaft hole is in the front

## Step 2

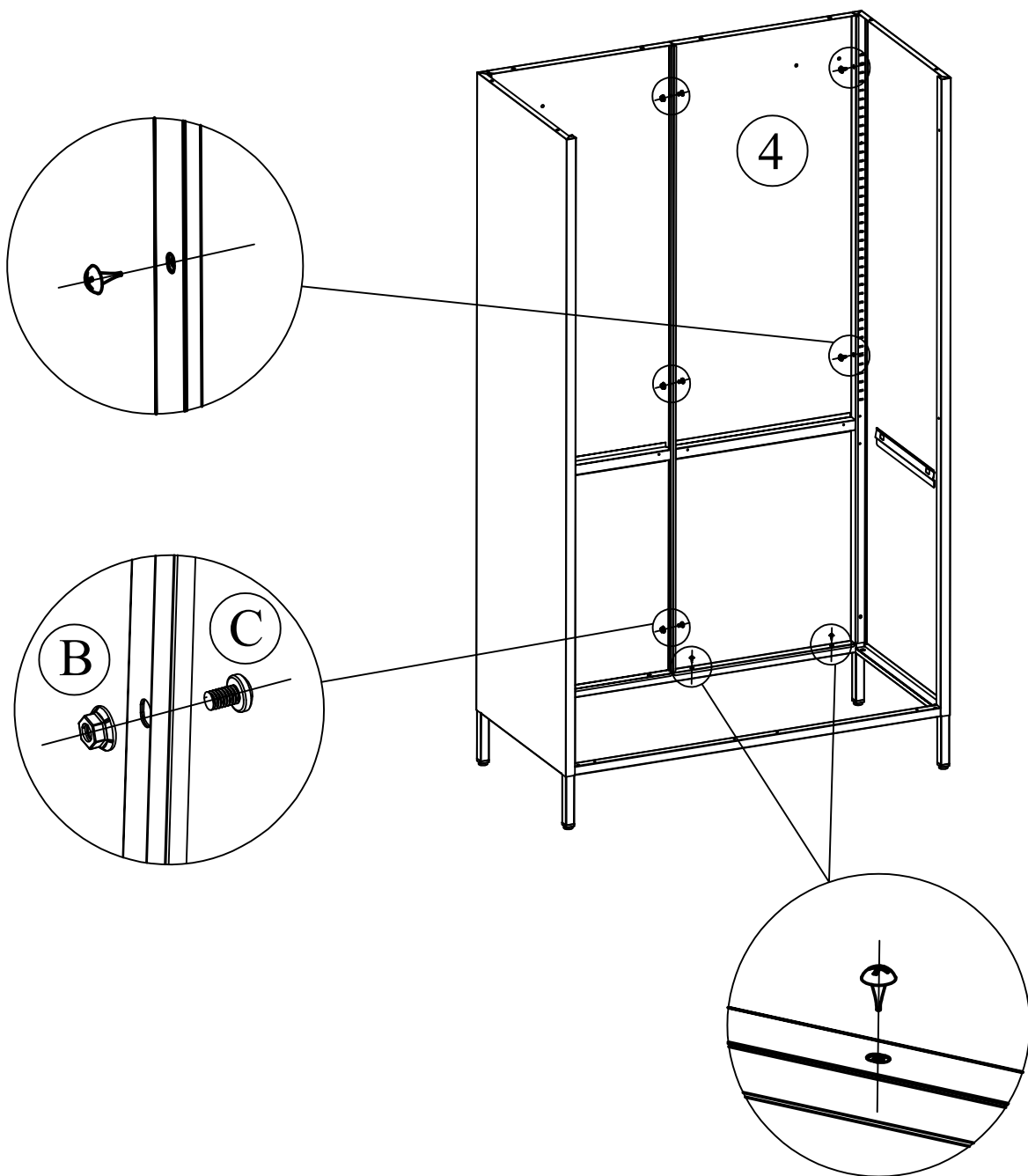
Connect left back panel 3 with side panel 1 and kick plate 2 by screws A

(A)  × 4



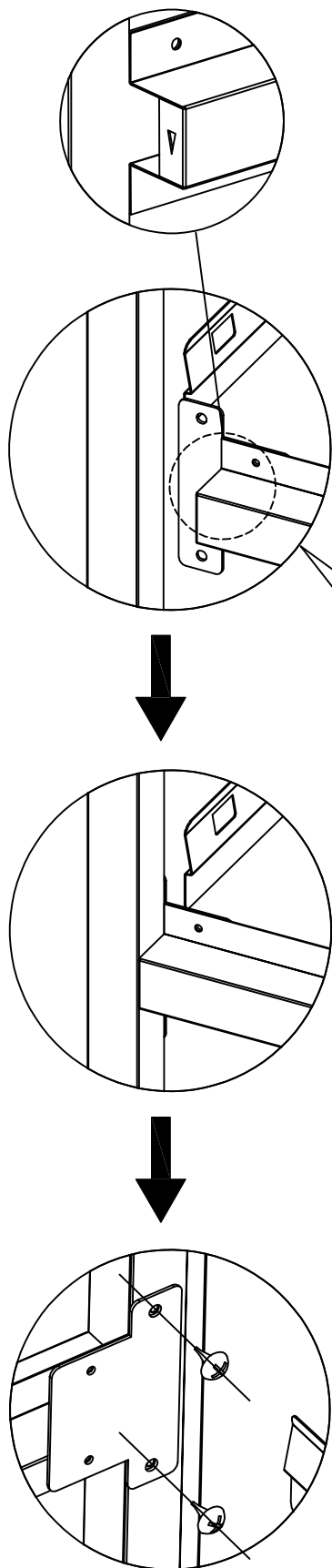
# Step 3

Connect right back panel 4 with side panel 1 and kick plate 2 by screws A, then connect two back panels 3 and 4 with nuts B and screws C

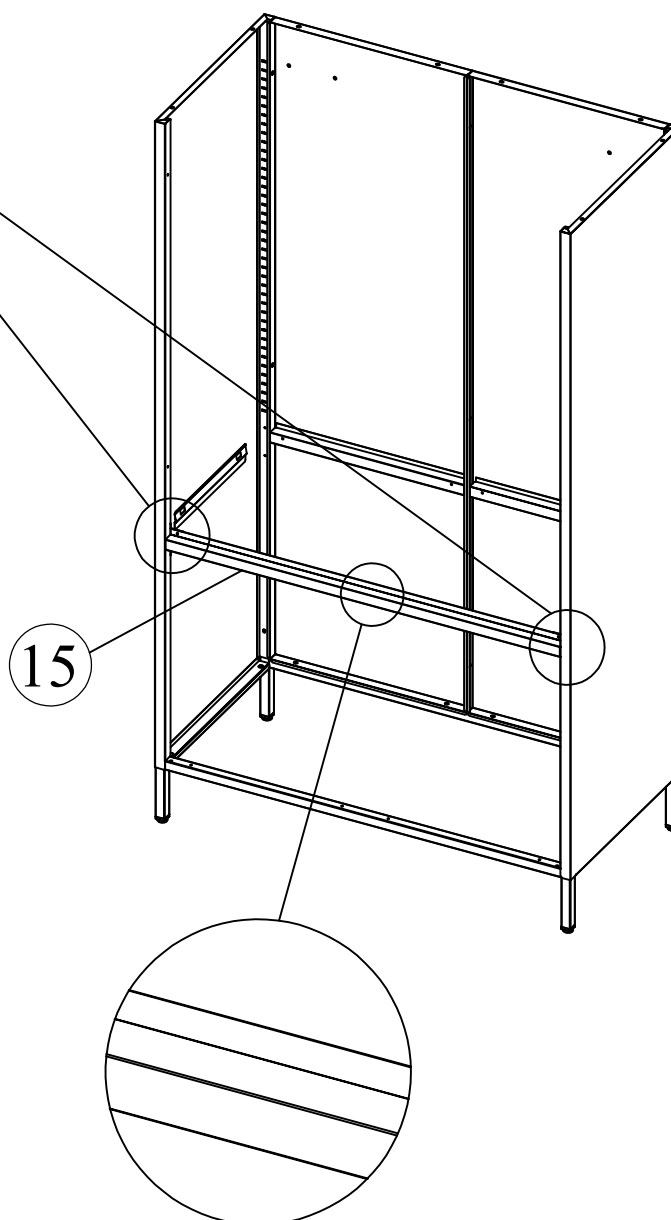


# Step 4

Install the waist face 15 on the side panels with screws A



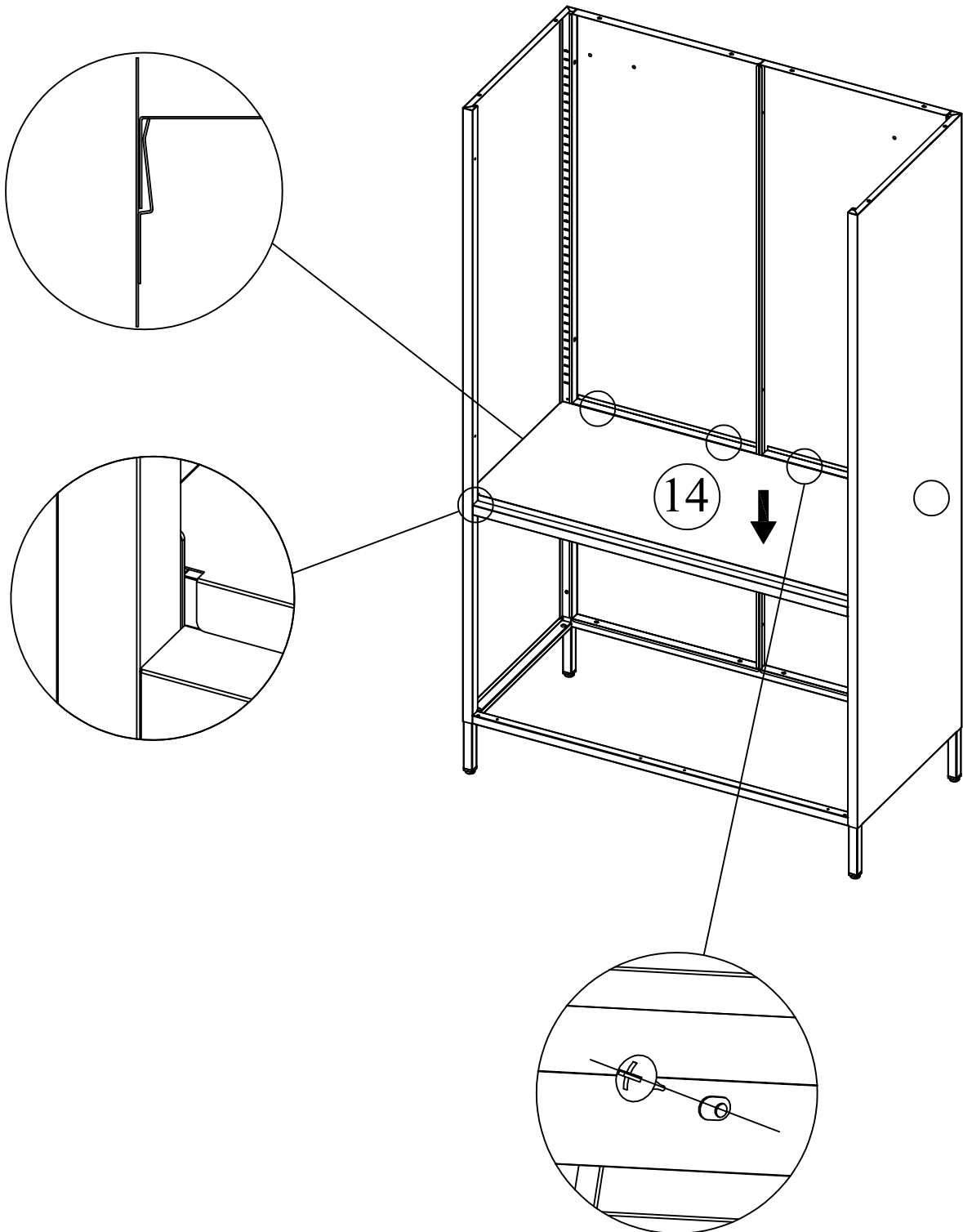
Ensure the left side holes of 15 are aligned with the holes of the left side panel, then fix them with screws A, so is the right side.



# Step 5

Install waist panel 14 on cabinet with screws A

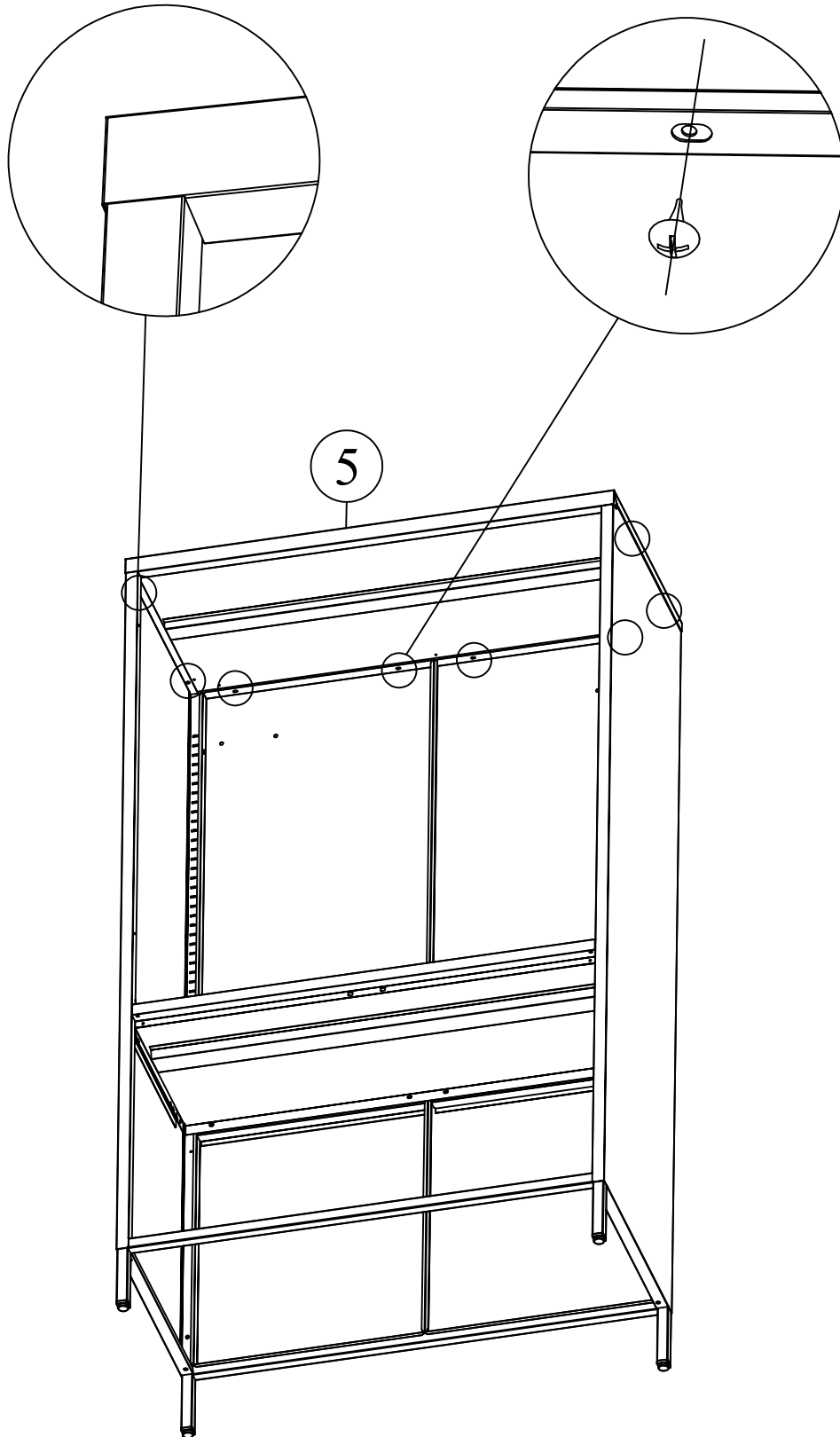
(A)  × 4



# Step 6

Connect top panel 5 with back panels and side panels by screws A

(A)  × 8



# Step 7

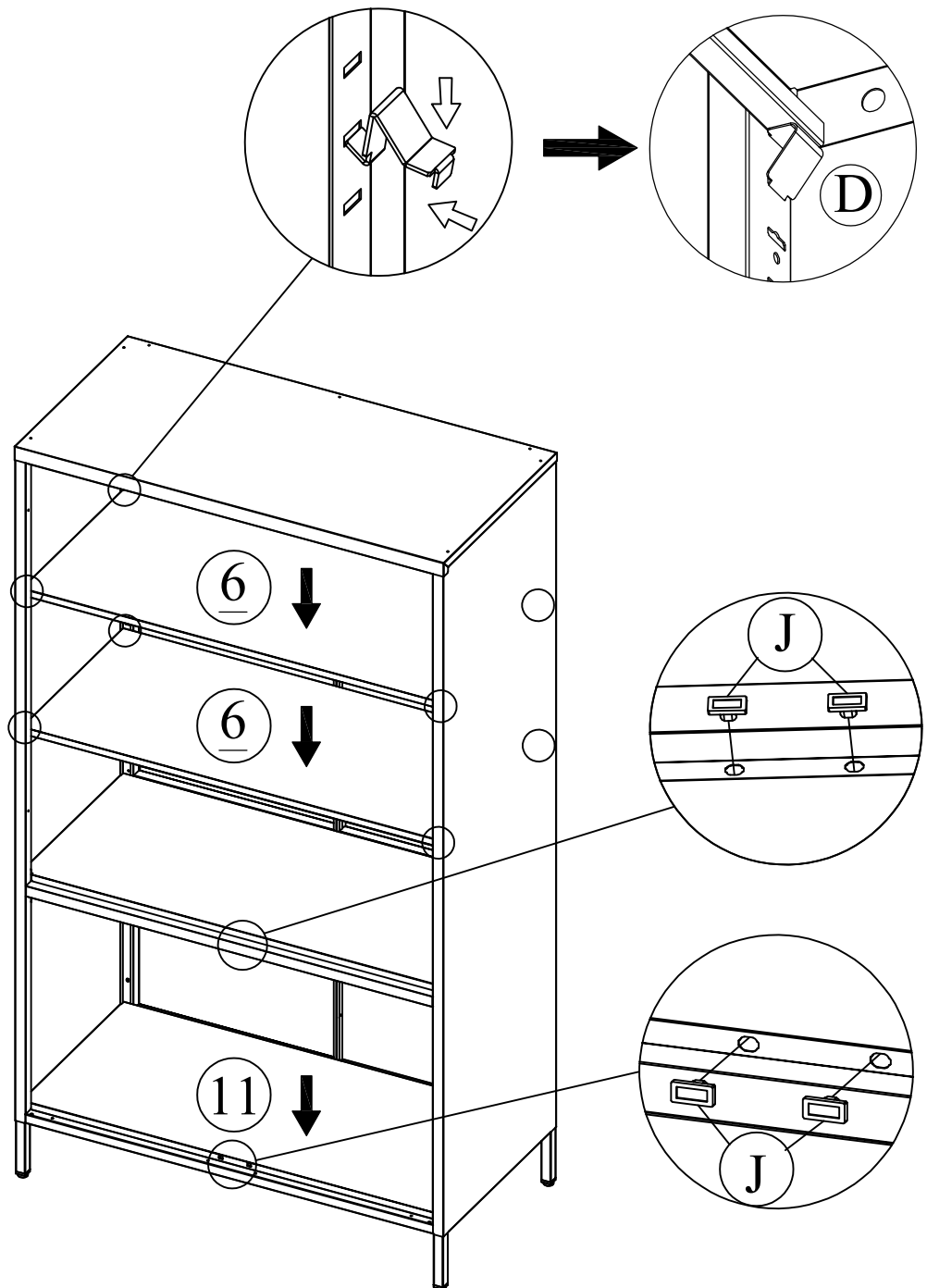
Install the shelf clasps D and put the shelves 6 on them

Tilt floor 11 into the cabinet and press it down to snugly fit against the kick plate (No screws are needed to fix the floor)

Install 4 magnets J on the top and bottom as shown below

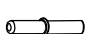


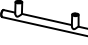
ⓓ  × 8

ⓐ  × 4

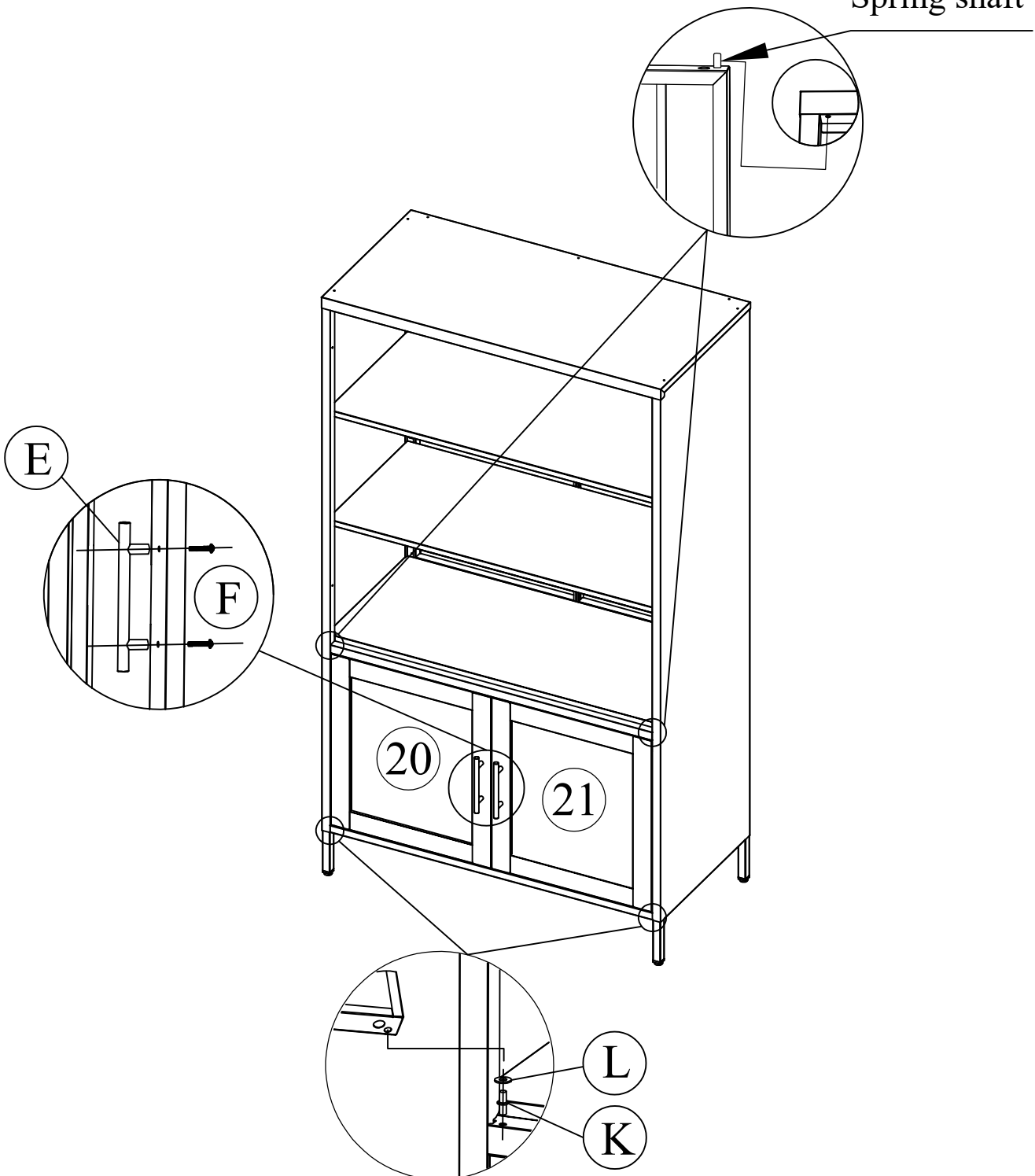


# Step 8

Insert the door pivots K into the holes of the both sides of the bottom corner (0/1/2 shims L can be used to adjust), then insert the doors into the door pivots on the bottom and adjust the spring shafts on the top  
Install 2 doorknobs E on the doors with screws F

- (K)  × 2
- (L)  × 4
- (F)  × 4
- (E)  × 2

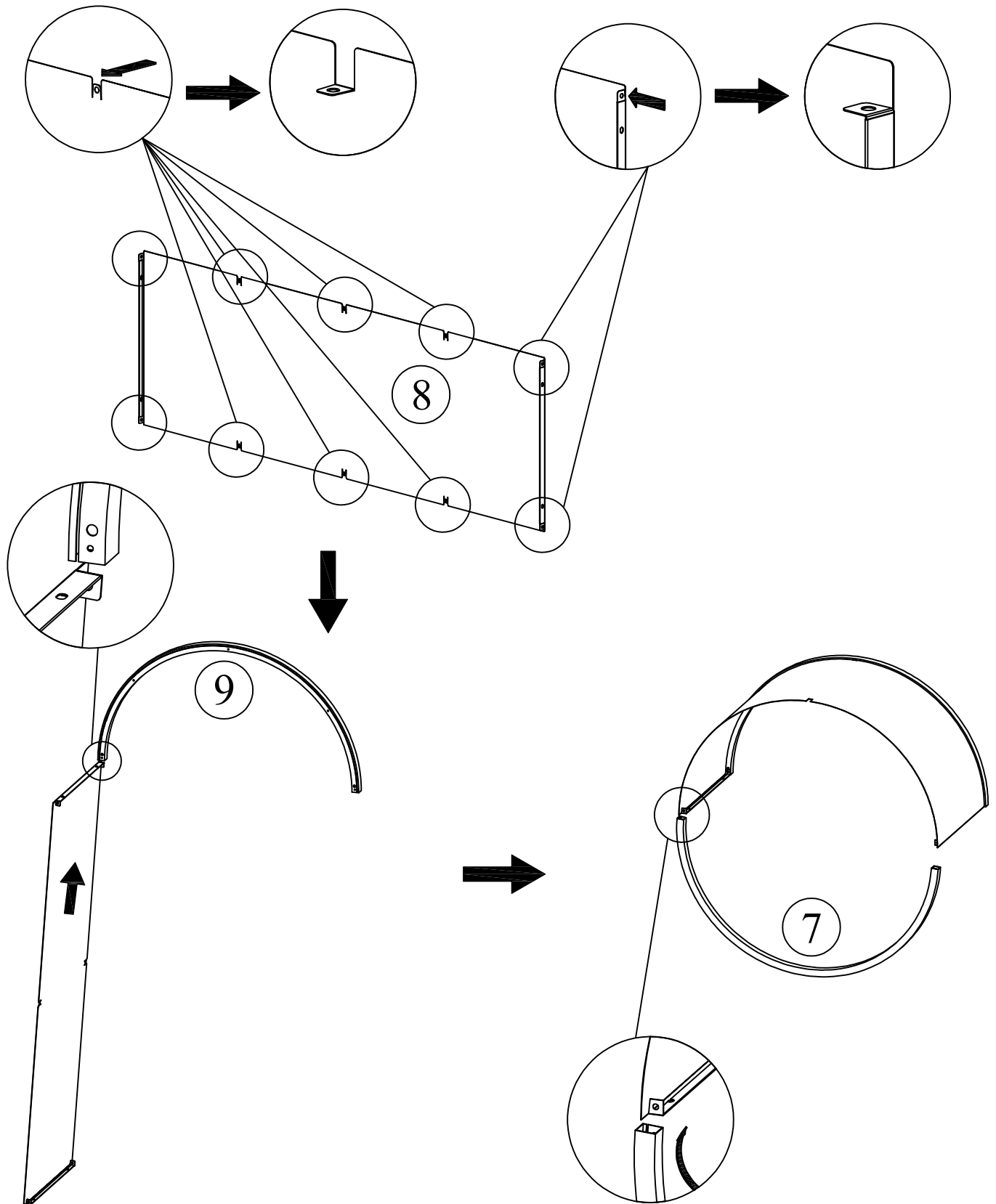
Spring shaft



# Step 9

Fold all the small parts on dome panel 8 towards the middle for 90 degree

Insert dome panel 8 into dome back tube 9 and dome front tube 7

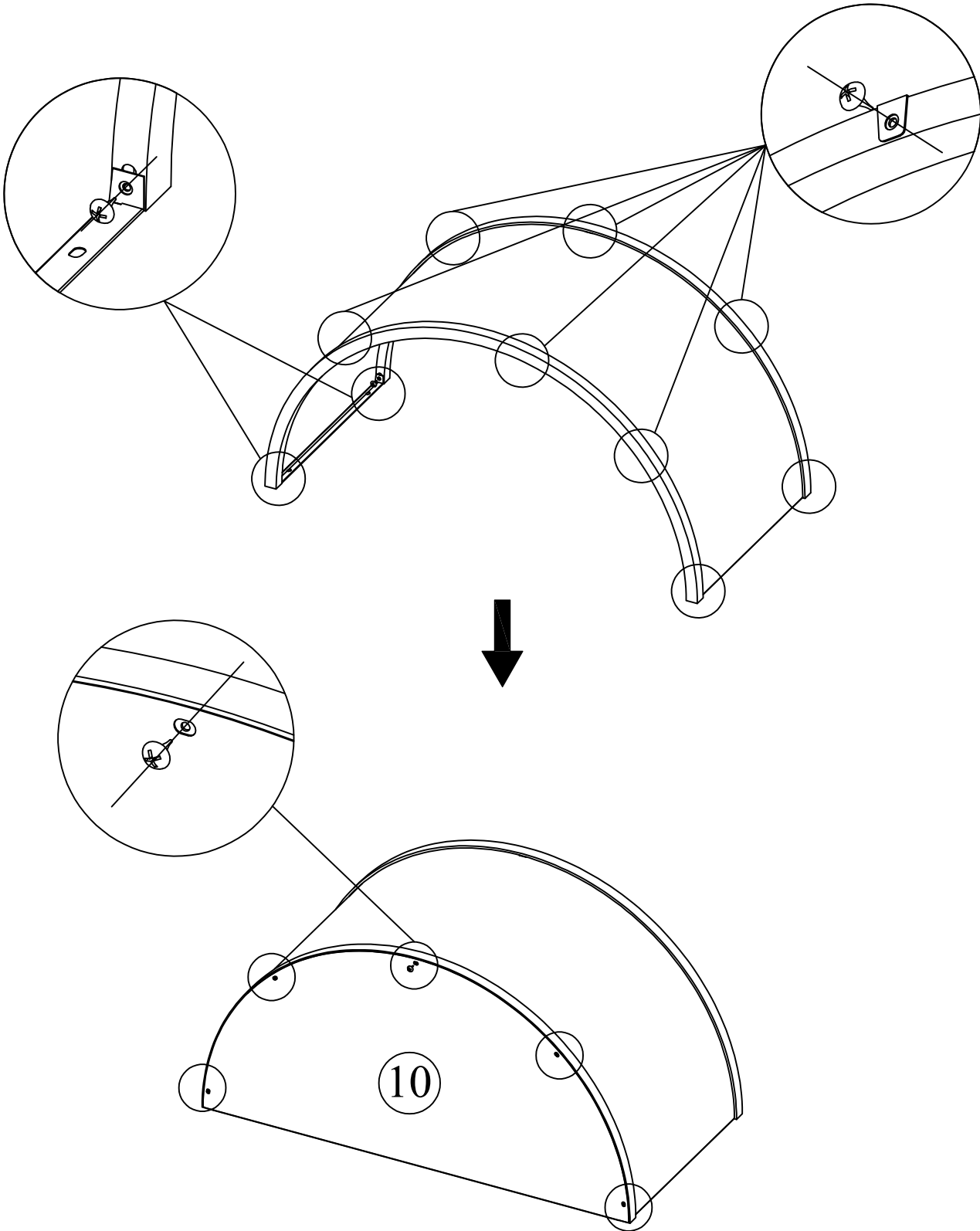


# Step 10

Fix the dome panels and tubes with 10 screws  
A in the middle and ends

Ⓐ  × 15

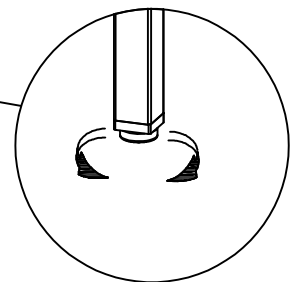
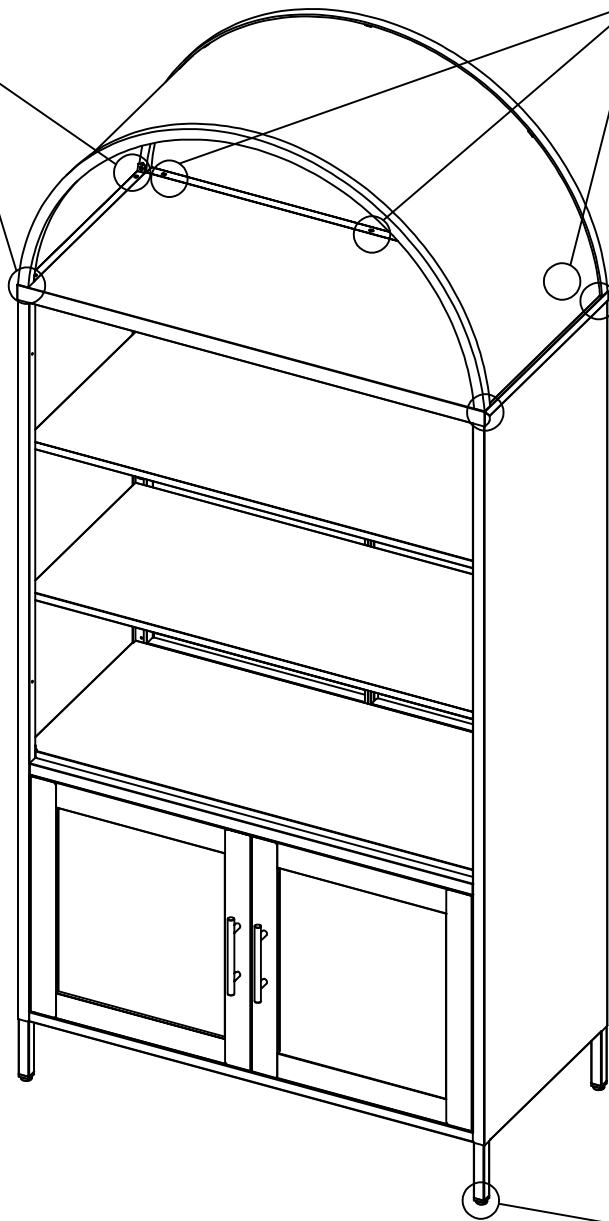
Fix the dome back panel 10 with 5 screws A



# Step 11

Fix the dome on the top of the cabinet with screws A, then adjust the feet of the cabinet as your needs

Ⓐ  × 7



Tips: If the ground is uneven, you can rotate the feet to adjust, which will solve the problem of the door not being easy to open or close.

# Step 12

Fix the cabinet on the wall with screws  
I to prevent tipping

