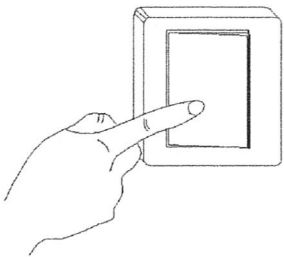
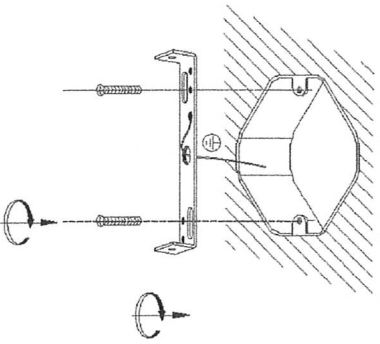
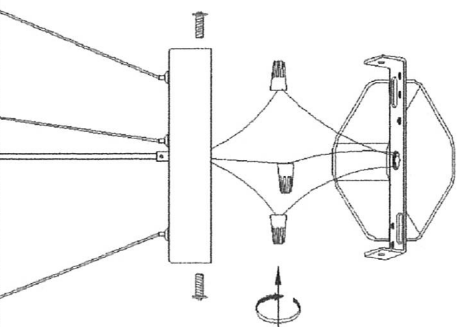
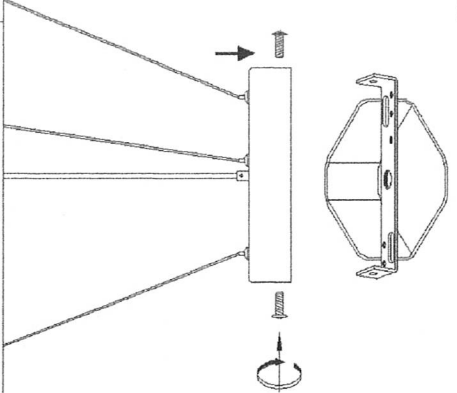
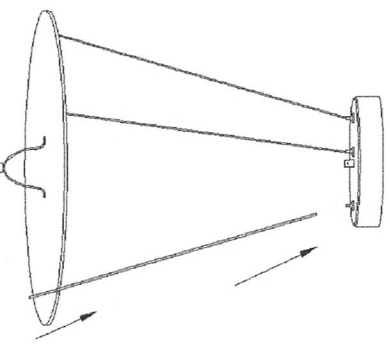
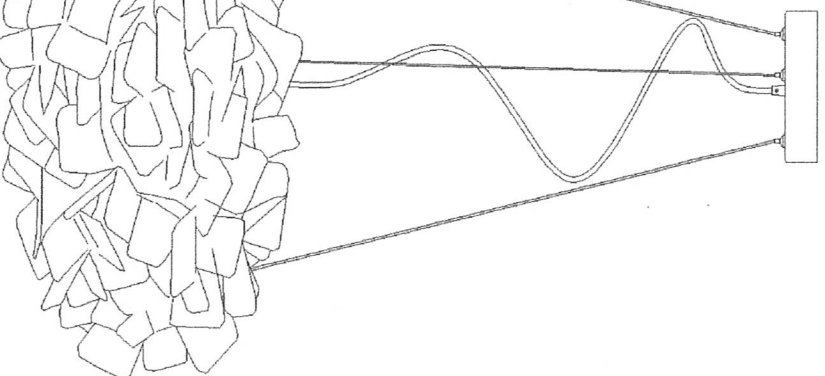
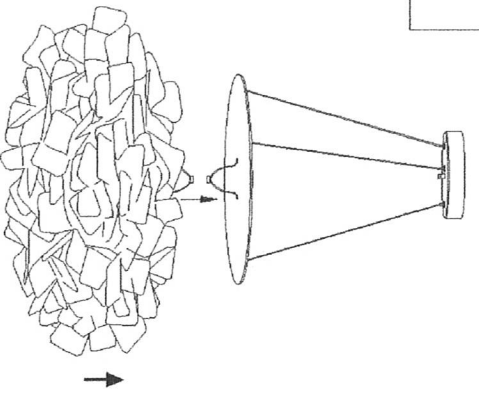
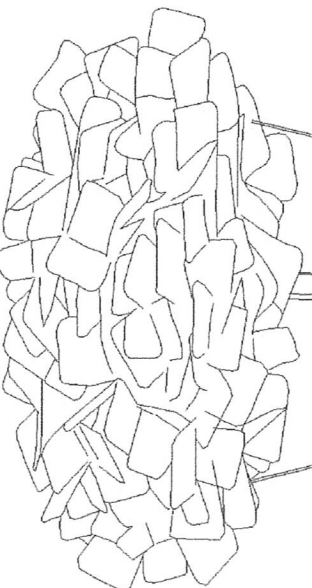


# INSTALL INSTRUCTION

DLS99C30W

<p>1</p> 	<p>2</p> 	<p>3</p> 
<p>4</p> 	<p>5</p> 	<p>6</p> 
<p>6</p> 		

**Warning:**

1. Please wear gloves during the installation.
2. Do not install on ceiling which is damp or with wet linewater.
3. Cut off the electricity before installation in case of being shocked.
4. Make sure the connected bolt is tightly locked



before getting through the electricity.

5. Do not cut off the electricity before washing or repairing, and use the scour without causticity.
6. Please cut off the electricity and wait until the bulb gets cooling before replacing the bulb in case of being burned