

installation instructions:

# WOOD CROWN MOULDING

## SAFETY INSTRUCTIONS

Make sure to use the correct tools recommended.

Wear safety goggles.

Follow fixture, power tools, and paint manufacturers' instructions and users manuals.

Use common sense and follow good construction practices.

## TOOL & MATERIAL CHECKLIST

- nail gun
- finishing nails
- wood glue
- wood putty/filler
- putty knife
- sandpaper
- miter box & mitering saw

### IMPORTANT INFO

- It is highly recommended that you paint or finish moulding before you install it.
- Once installed, you can apply any necessary touchup paint or finish. Note: A high quality exterior grade latex paint is recommended.
- Place moulding in room 2 to 3 days prior to installation. This allows the moulding to adjust to the temperature of the room.
- Clean installation surface and back of moulding of all dirt and dust with a clean cloth or sponge. Make sure that the surface and the back of the moulding are completely dry before attempting installation.

## INSTALL INSTRUCTIONS:

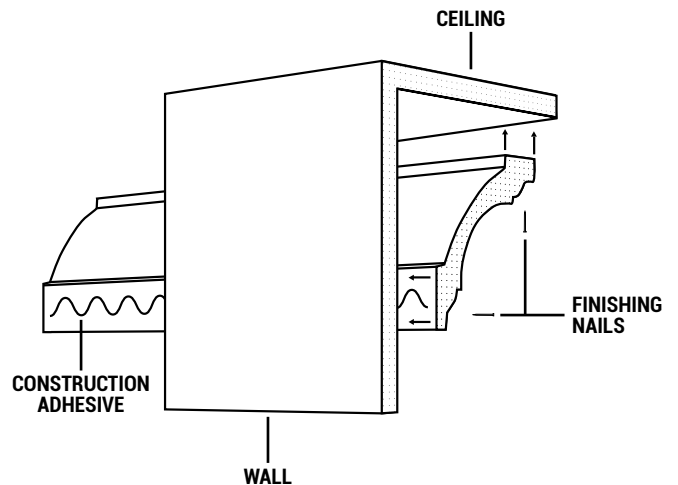
### Mitering Corners

1. Place moulding in the miter box with the wall side against the side of the miter box opposite you and the ceiling touching side against the bottom of the box.
2. Cut miters and butt joints prior to installation.

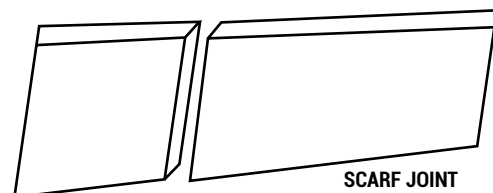
### Crown Moulding Installation

1. Apply a continuous 1/2" bead of wood adhesive along the top and back of moulding lengths and universal corners. Press moulding into place.
2. Secure the moulding in place with finishing nails
3. Apply wood putty/filler in remaining gaps and smooth with finger or putty knife.
4. Touchup moulding as needed and light sand areas with excess putty.

## EXAMPLE DIAGRAM:



\*Helpful Tip: If using multiple pieces of moulding on the same wall, install and join moulding using a scarf joint to hide the seam as much as possible and make installation easier.



We Can Help. Call (866) 607-0453



**EKENA**  
MILLWORK

Industry leading manufacturer of urethane, PVC, wood, rustic, and metal millwork

[www.ekenamillwork.com](http://www.ekenamillwork.com)