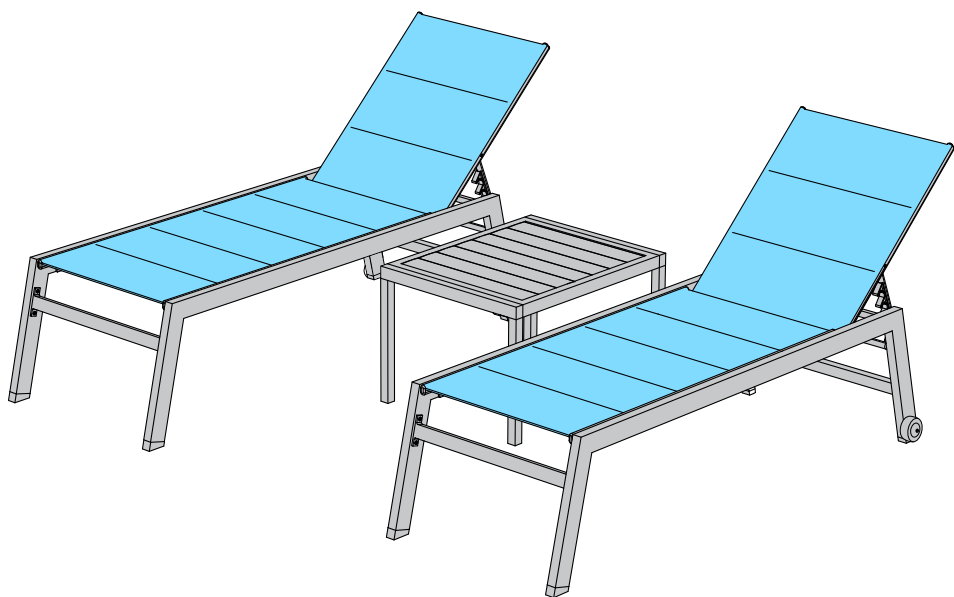


# *Chaise Lounge* **Outdoor**

*Sponge Filling Fabric*



**ASSEMBLY AND OPERATION GUIDE**

## **Warnings and Cautions**

*Please retain this instruction for future usage and read carefully before assembly.*

*Make sure you have all the parts & hardware as item list shows.*

**2 adults** are recommended to install your chair and table.

*Do not discard any of the packaging until you have checked that you have all the parts and pack of fittings.*

*Check all bolts for tightness before use, and periodically check and tighten bolts ensure your chair works properly.*

*Some parts might have sharp edges/corners. Please follow basic safety precautions to reduce the risk of hurts.*

### **Notes**





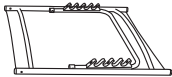



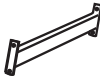









- 1. Chemicals in swimming pool's water might cause fading.*
- 2. Cleaning and drying the chairs after it rains.*
- 3. Cleaning and drying the chair in time if exposed to chemicals.*
- 4. Please cover and store it if not in use.*

## **CHOKER HAZARD**

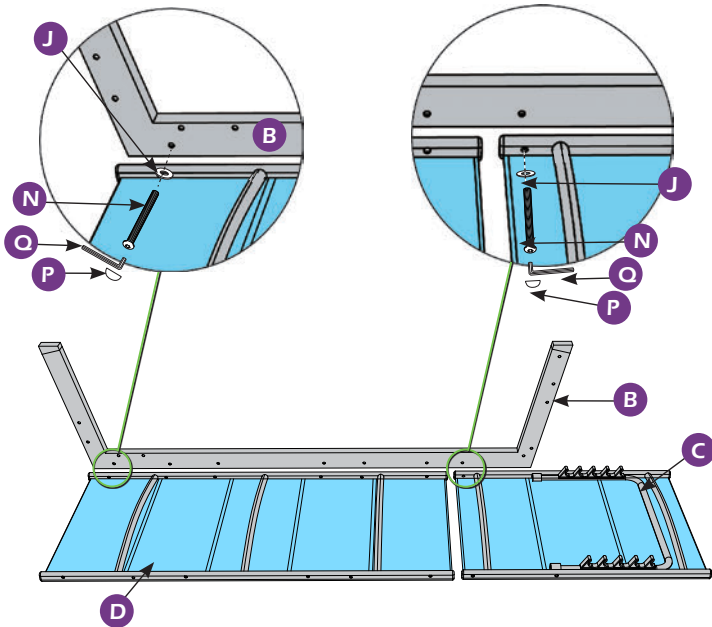
**THIS ITEM CONTAINS SMALL PARTS WHICH CAN BE SWALLOWED BY CHILDREN.**

**PLEASE KEEP IT AWAY FROM CHILDREN UNDER 3 YEARS OLD AND PETS DURING INSTALLATION.**

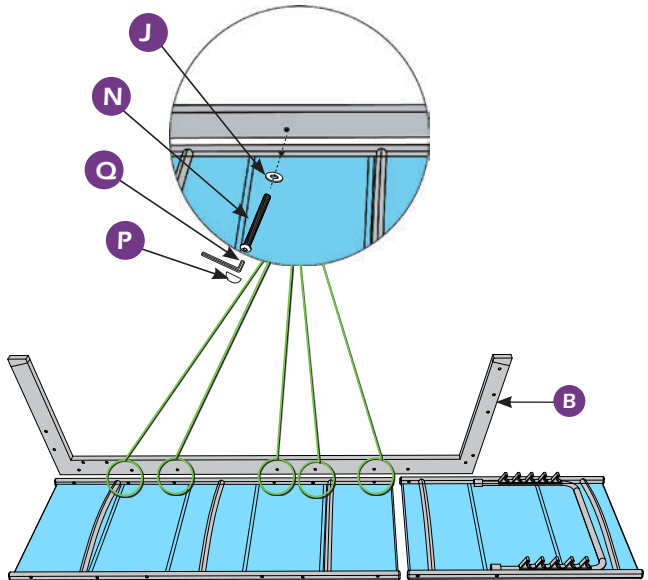
# Check List

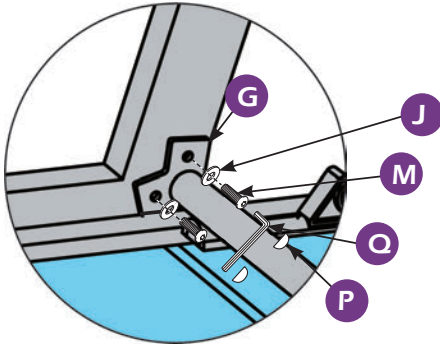
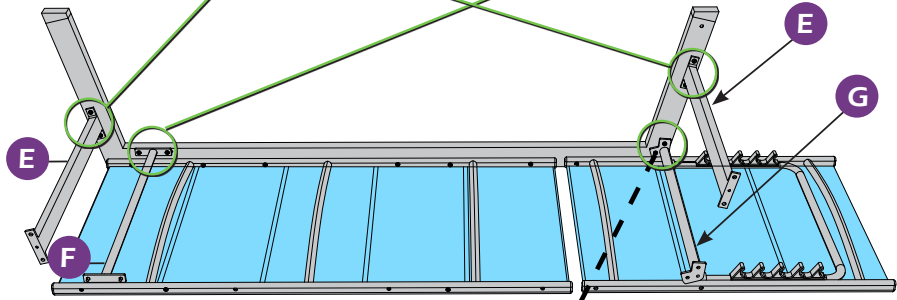
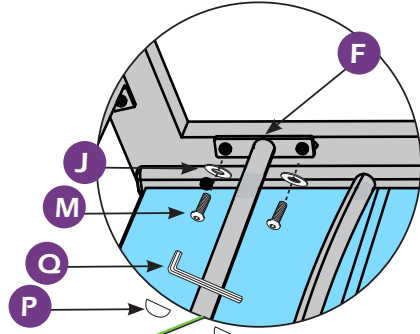
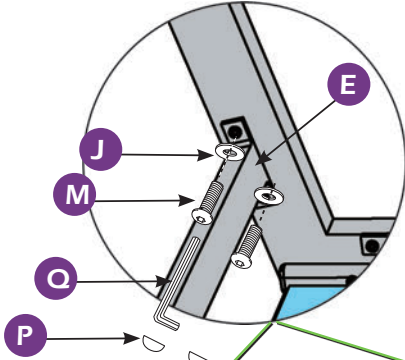
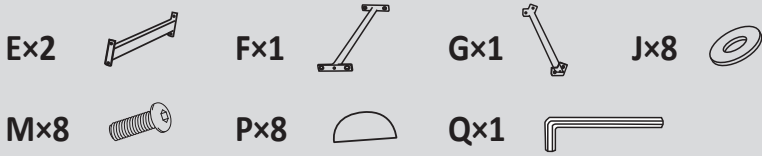
Part No.	Image	QTY		Part No.	Image	QTY
A		1		J	 M6×1×12	30
B		1		K	 M6×1.5×18	2
C		1		L	 M6	2
D		1		M	 M6×15	16
E		2		N	 M6×35	14
F		1		O	 M6×80	2
G		1		P		32
H		2		Q		1
I		2		R		1






Bx1		Cx1		Dx1	
Jx2		Nx2		Px2	
				Qx1	

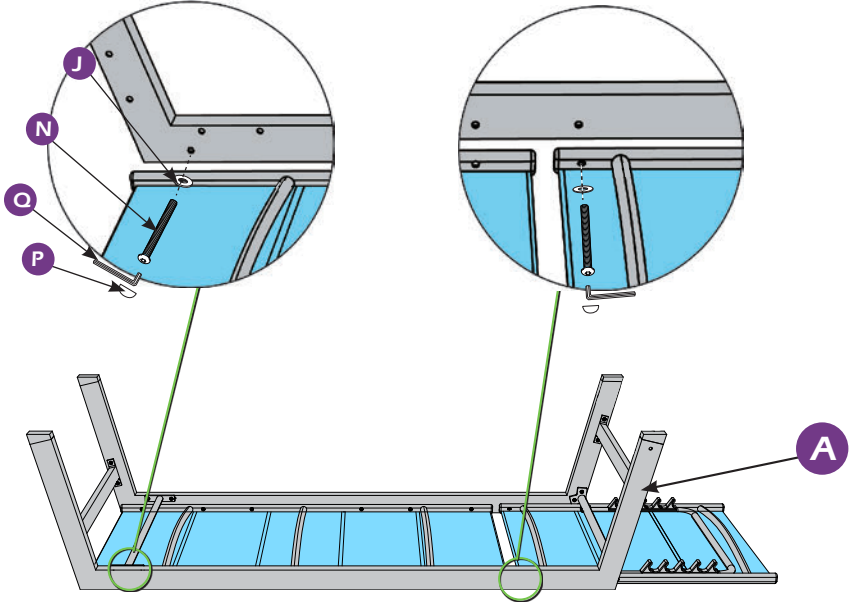






Jx5	
Nx5	
Px5	
Qx1	

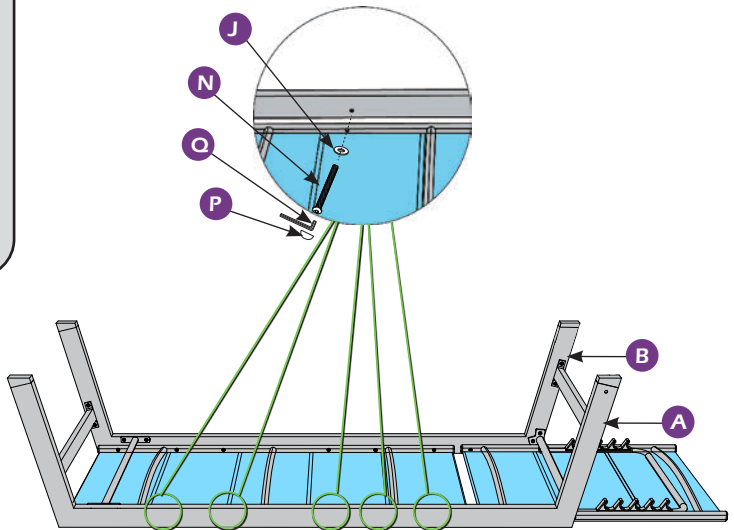




Ax1		Jx2		Nx2	
Px2		Qx1			



Jx5	
Nx5	
Px5	
Qx1	



Jx8



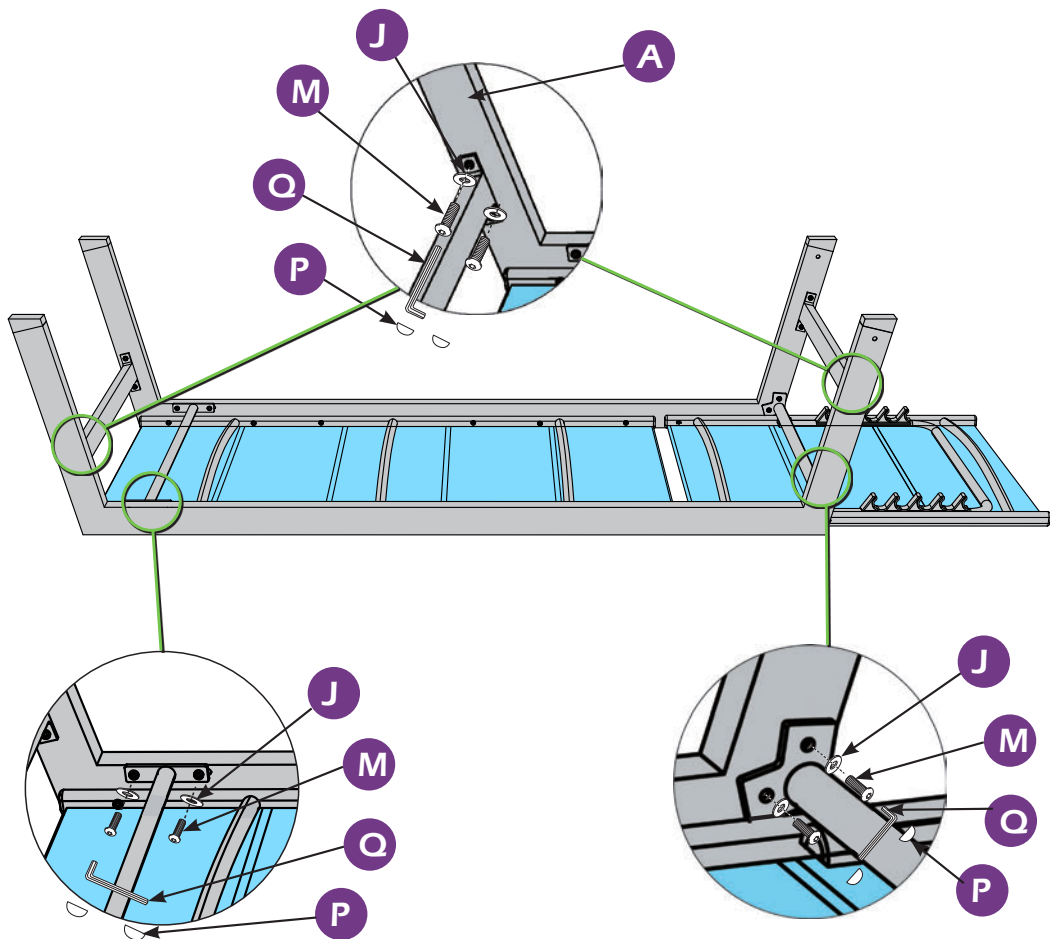
Mx8



Px8



Qx1



Hx2



Ix2



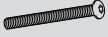
Kx2



Lx2



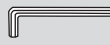
Ox2



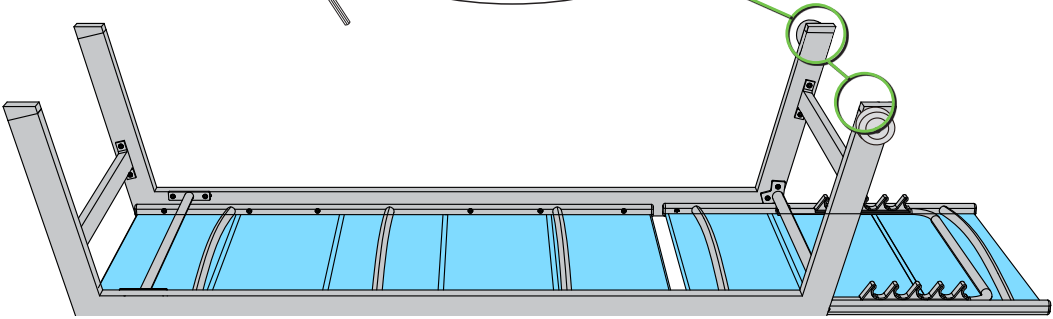
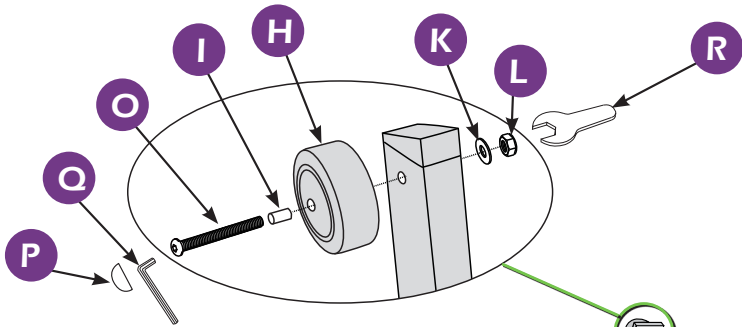
Px2



Qx1



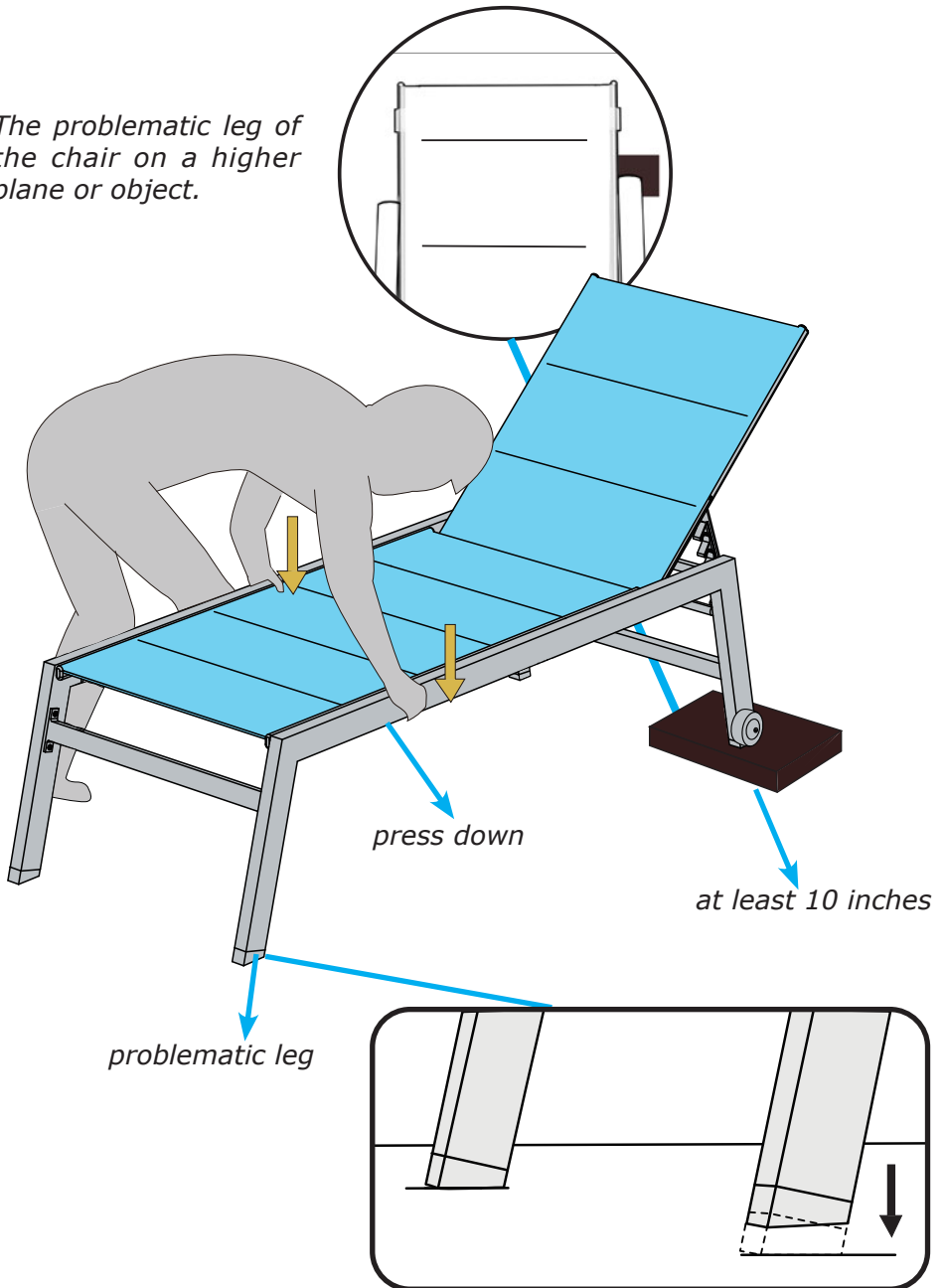
Rx1

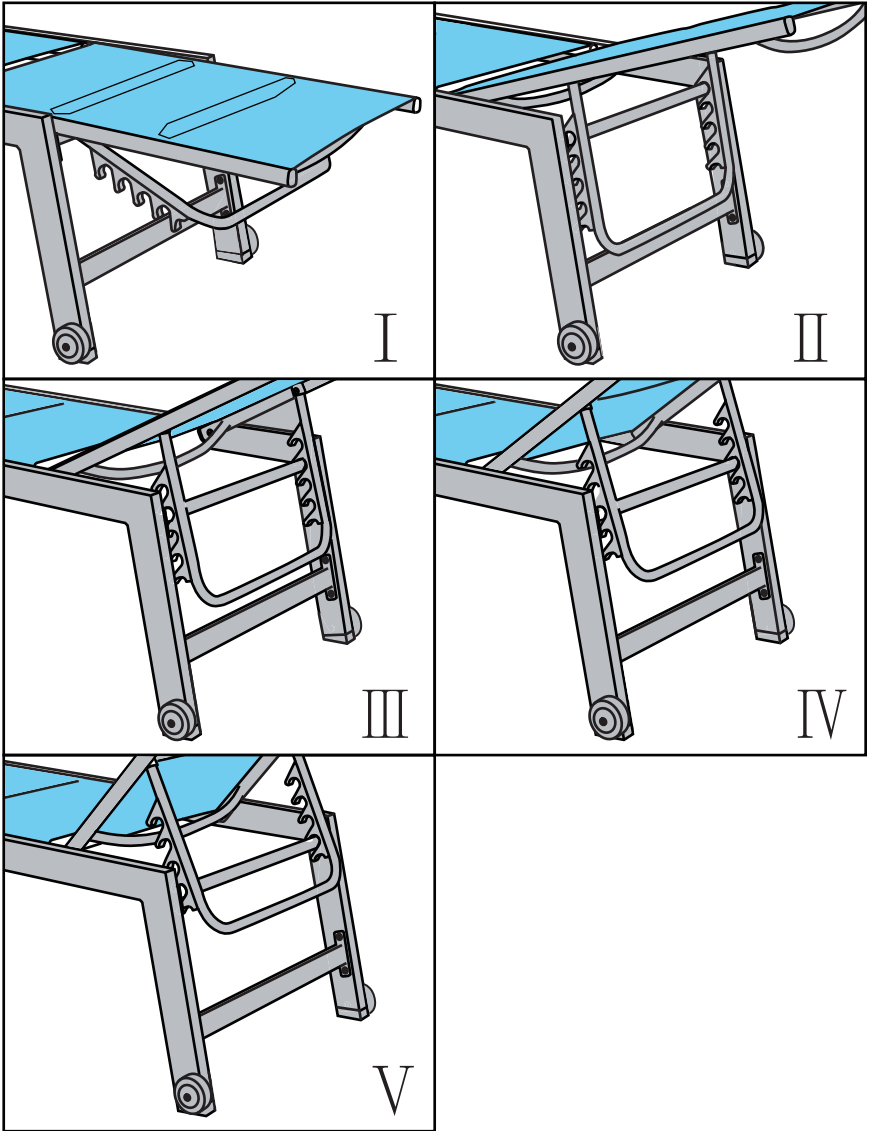


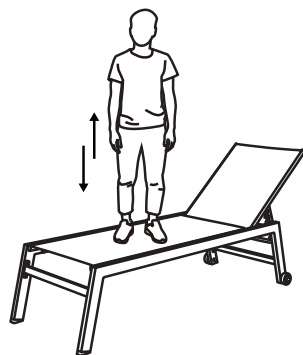
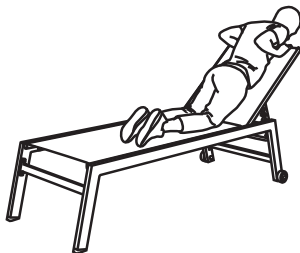
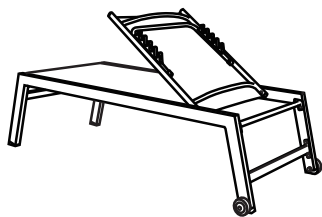
## Note

### How to fix uneven chair.

*The problematic leg of the chair on a higher plane or object.*

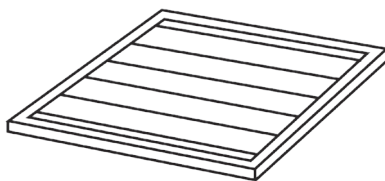




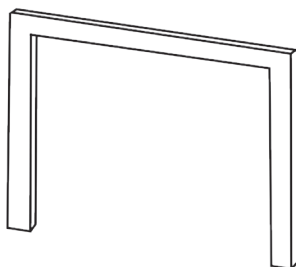


# Check List

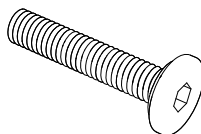
**A×1**



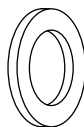
**B×2**



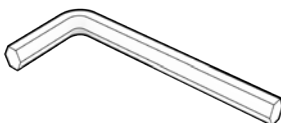
**C×4**  
(M6×30)



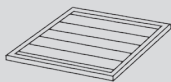
**D×4**  
(M6)



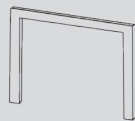
**E×1**



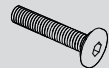
A×1



B×2



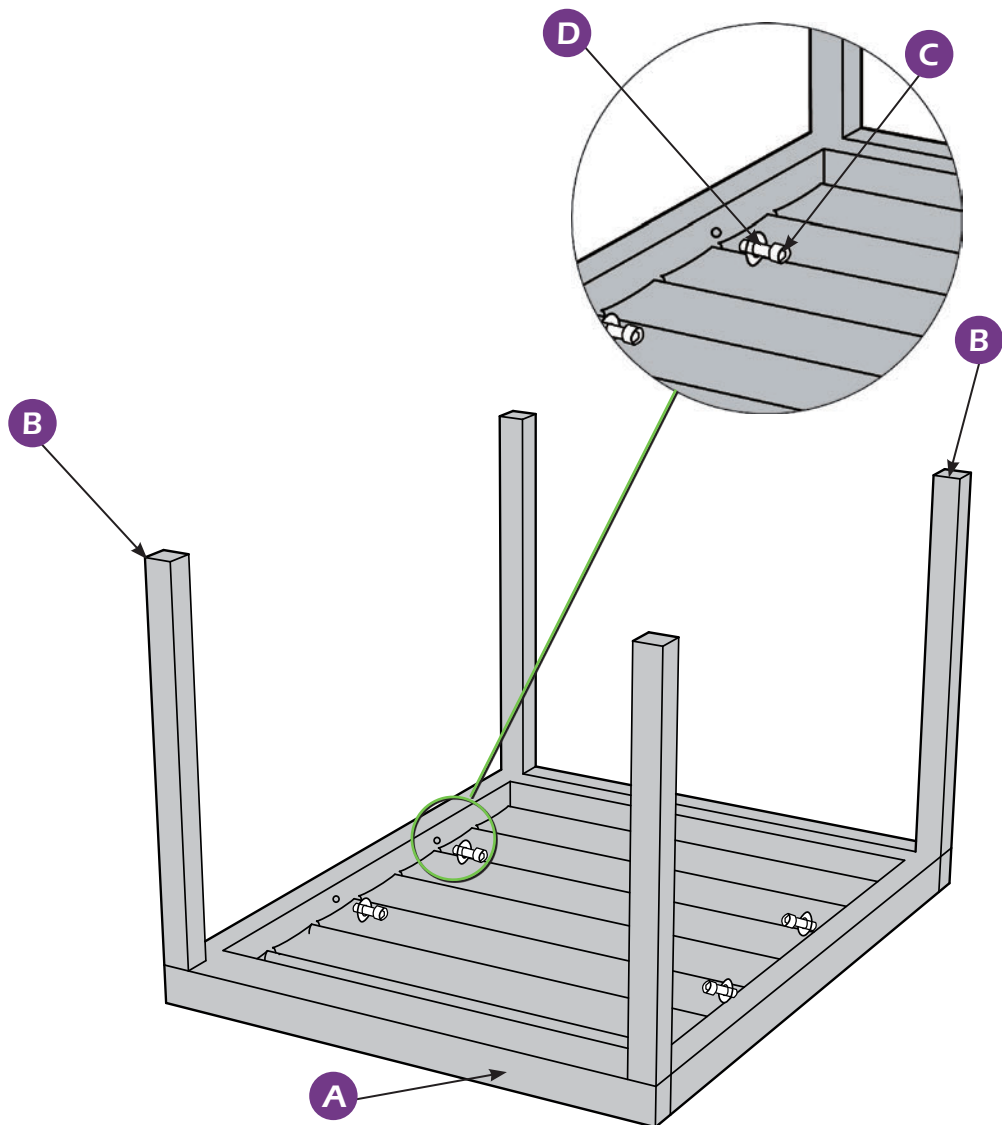
C×4

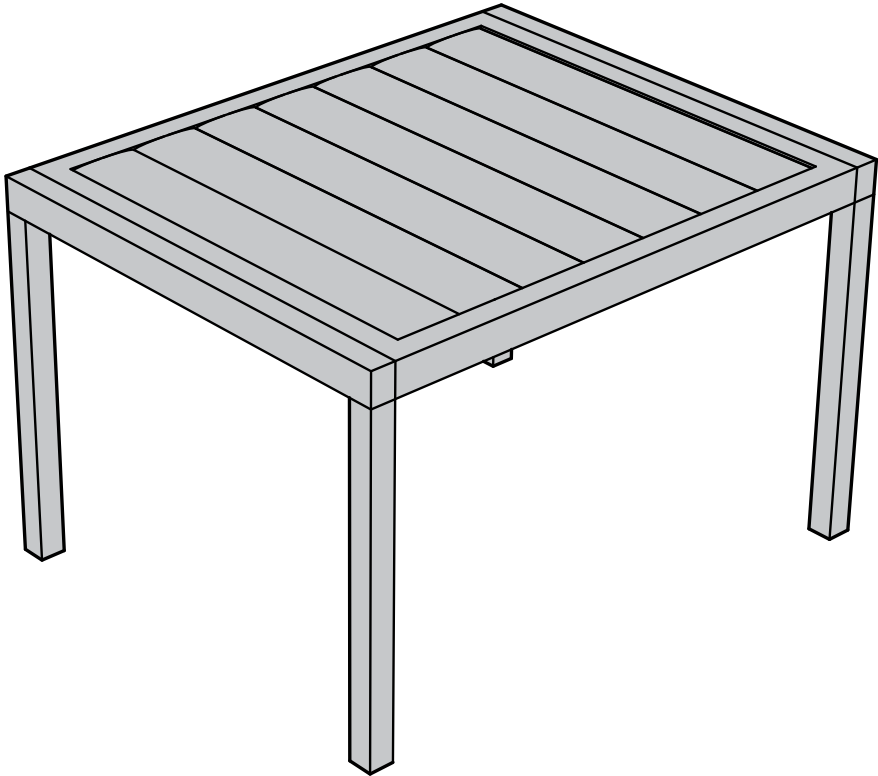


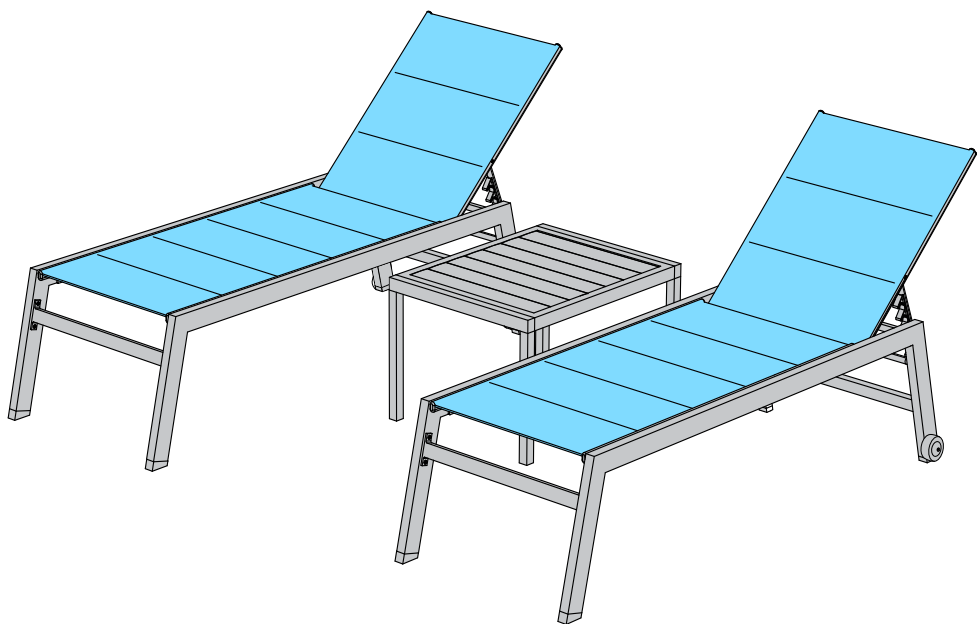
D×4



E×1







# **Warranty**

## **Frames**

*Frames constructions are warranted to be free from defects in material and workmanship for 1 year from item purchased. Damage to frame from negligence won't be covered by this warranty.*

## **Bolts & nuts**

*Bolts and nuts are warranted to be free from defects in material and workmanship for 1 year from item purchased. Damage from exposure to chemicals (including not only oils, spills, fluids) won't be covered by this warranty.*

## **Fabric**

*Fabric is warranted to be free from defects in material and workmanship for 1 year from item purchased. Damage from exposure to chemicals (including but not only oils, spills, fluids) won't be covered by this warranty.*

## **Warranty Limitation**

*This warranty is for the original purchase order only. (Order number required). This warranty is non-transferable. Purple Leaf is responsible for the free replacement part including shipping charges for the 1 year warranty.*

## **Warranty Exclusion**

*This warranty does not cover products subject to negligence, abuse usage, inappropriate installation. Purple Leaf reserves the right to explain warranty exclusions. When the replacement item is applied, the 1 year warranty automatically expires. Please feel free to contact us for applying warranty.*

---