

# ASSEMBLY INSTRUCTIONS

## CROSSING SOLID PINE EXT TABLE

Thank you for purchasing this quality product. Be sure to check all packing material carefully for small parts that may have come loose inside the carton during shipment.

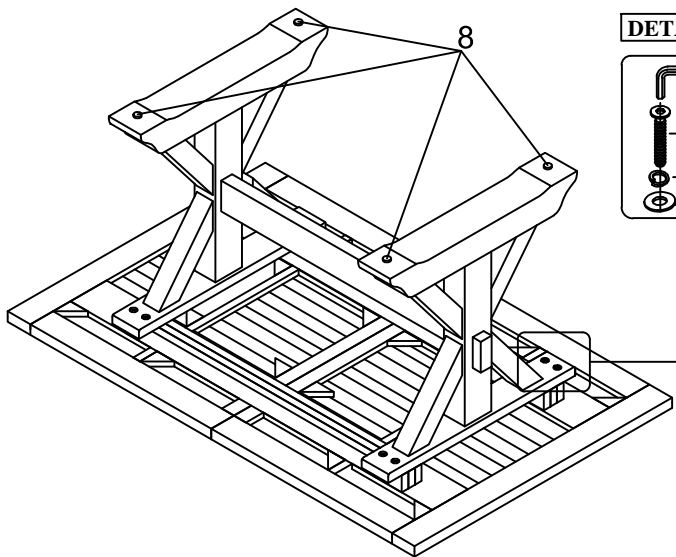
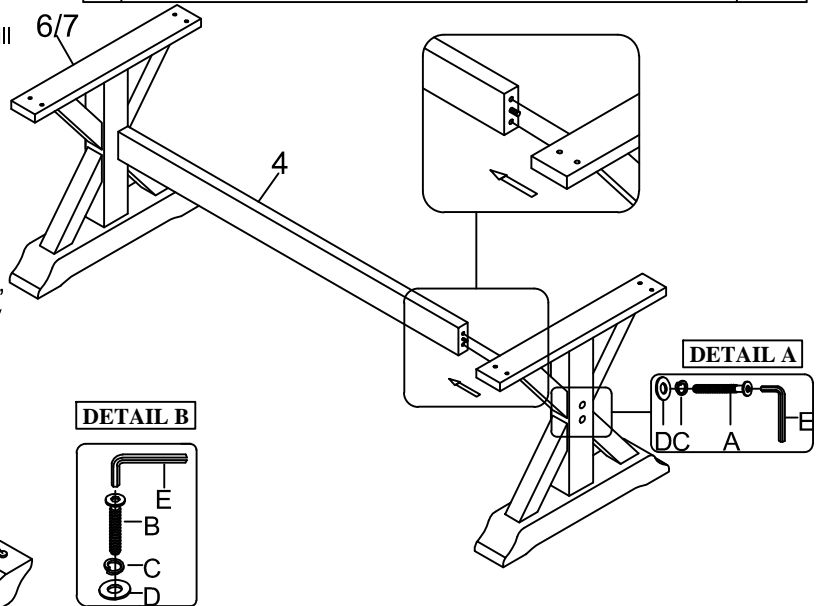
Hardware kit			Parts Key		
No	Description	Q'Ty	No	Description	Q'Ty
A	Long Bolt 5/16" x 2 3/4"	4 pcs	1	Table Top	1 Pc
B	Short Bolt 5/16" x 1 1/2"	8 pcs	2	Extension Mechanism	1 Set
C	Lock washer 5/16"	12 pcs	3	Extension Lock	4 Sets
D	Flat washer 5/16"	12 pcs	4	Stretcher	1 Pc
E	Allen Key Ø4	1 pc	5	Stretcher Cap	2 Pcs
			6	Leg Assembly-Counter Height 36"	2 Pcs
			7	Leg Assembly-Dining Height 30"	2 Pcs
			8	Floor Glide	4 Pcs

### PLEASE NOTE

- Depending on which height table is ordered, table will use either part # 6- Leg Assembly for the 36" high Counter Table or part # 7- Leg Assembly for the 30" high Dining Table.

### STEP 1

- Insert Stretchers between the legs, using Flat Washer (D), Lock Washer (C) and long bolt (A),  
 - Tighten screws with provided Allen Key (E) by turning clockwise until secure. (See Detail A).



### STEP 2

- Carefully lay Table Top upside down on a smooth flat surface to prevent scratches.  
 - Affix bottom frame to the Table Top as shown in illustration. Insert a Flat Washer, Lock Washer and short bolt (B) .  
 - Tighten screws with provided Allen Key (E) by turning clockwise until secure. (See Detail B).

### STEP 3

- To fully extend the table, open both ends as far as possible. Carefully place the Table Leaf into the open position as show.  
 - Insert Stretcher Cap to bottom frame.(See Detail C).

