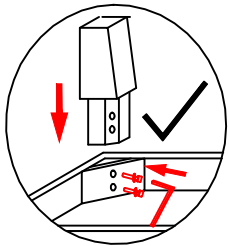
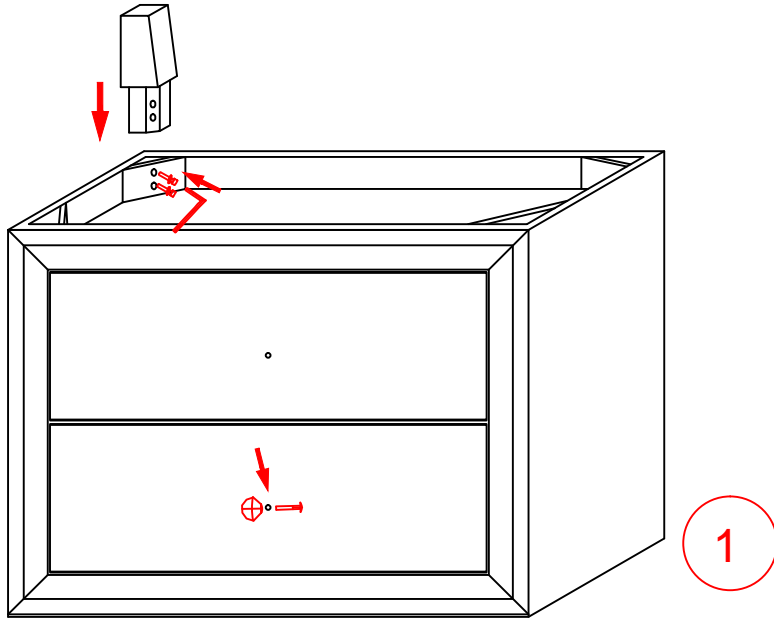
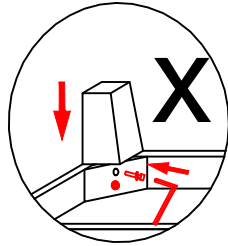


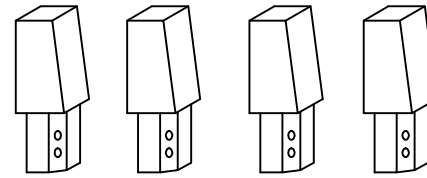
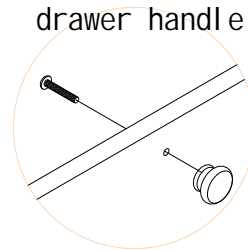
# Installation Instructions



**Right Method:**  
Put 2 screws into the holes at the same time, and tighten them.



**Wrong Method:**  
After tightening one, place the other screw in the hole.



legs 4pcs



Allen Wrench 1pcs



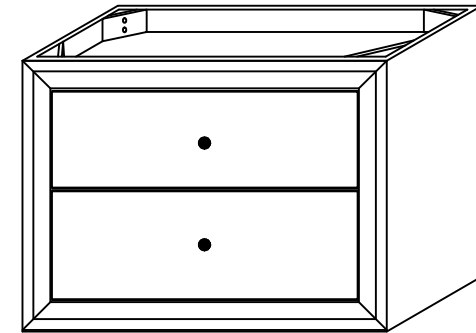
Handle Bolt 8pcs



Screw 2pcs



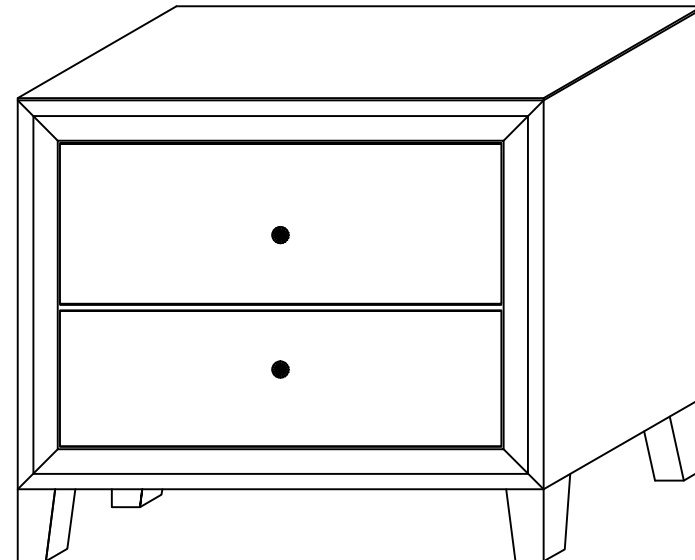
Drawer handle 2pcs



1pcs

Note: Drawer pull ships mounted inside the drawer. To install, move it to the outside.

2



Step 1: According to the code, find the corresponding leg slot.  
Step 2: Attach the leg to the table top, put the 2 screws into the holes together, and tighten the 2 screws with a Allen key.

**\*Note:** When installing a leg, do not install another screw after tightening one screw, otherwise the other screw may not be screwed in.