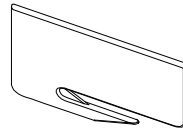
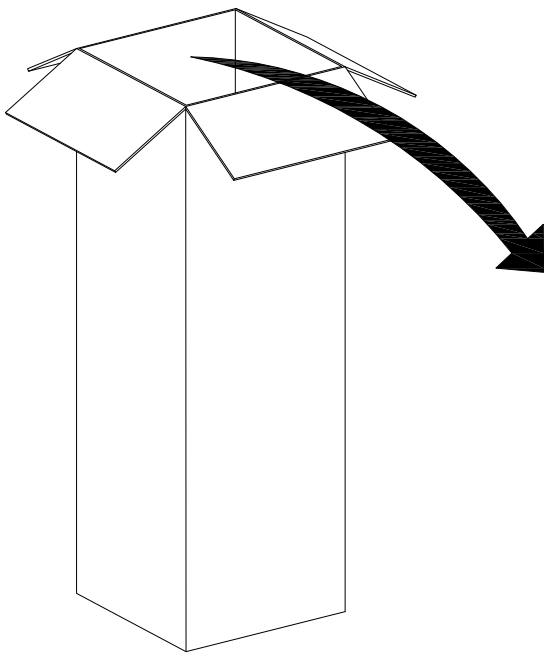


ACCENT CHAIR

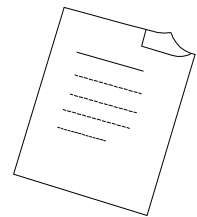


- Please keep instructions for future reference.
- Check the quantity and irregularity of parts and hardware before you start.

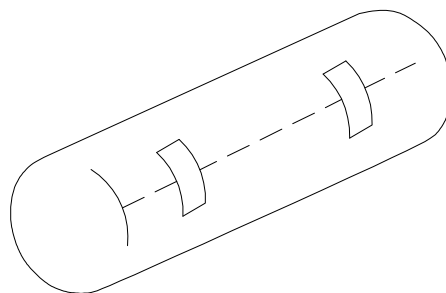
PARTS



Opener

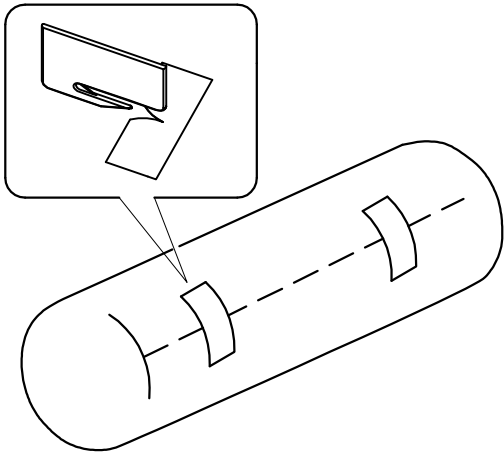


User Guideline



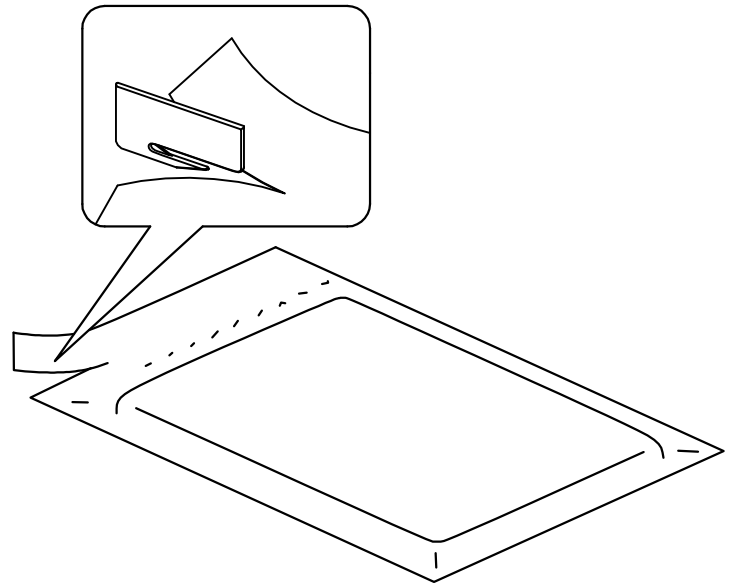
Compressed Chair

How to Fluff Your Cushions



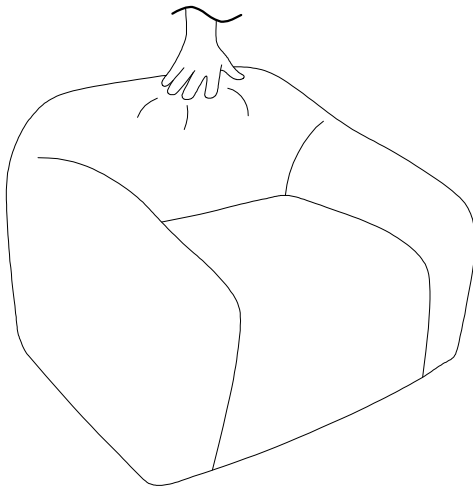
1 Unpack with Care

Gently slide (enough to cut the adhesive) using the opener.



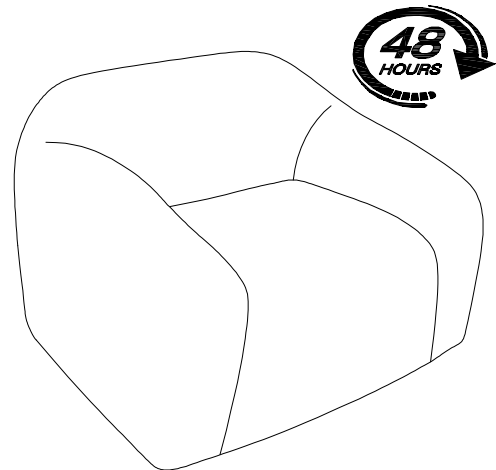
2 Unpack with Care

Roll the plastic bag flat, using the opener, gently cut the bag to remove the chair from the packaging.



3 press&pat

Gently press and pat each cushion to help redistribute the filling and accelerate fluffing. Repeat for a few minutes.



4 Allow Time to Fluff

Your cushions may take 2 days to regain their full fluffiness. Patience is key—let them settle naturally.