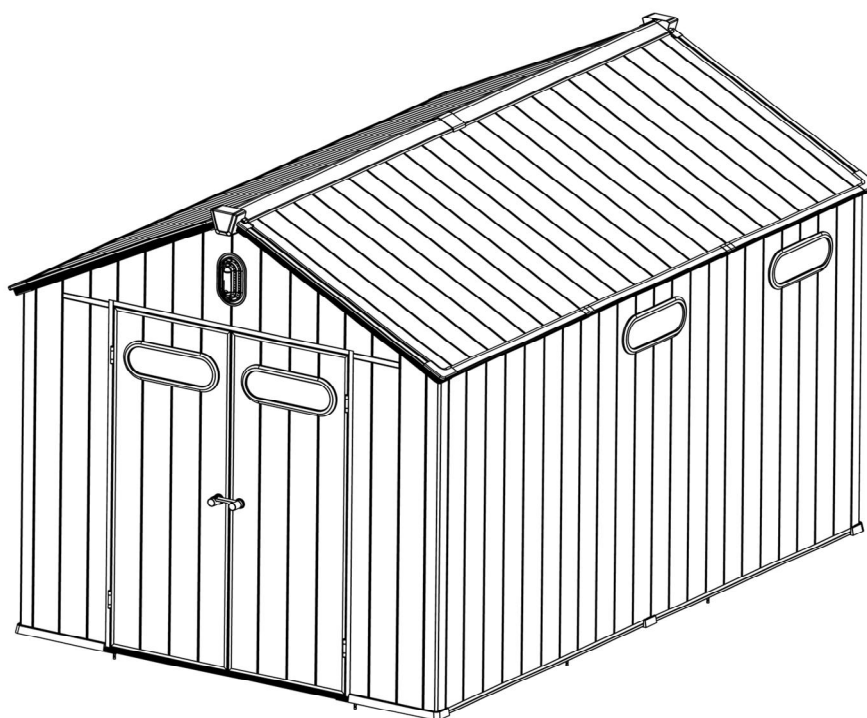


CHERY

— L I F E —

Plastic Storage Sheds
8*12ft



Thank you for choosing us!

Please let us know if you have any concerns.

CHERY INDUSTRIAL
www.cherylife.com
T: 888-473-8388
E: info@cherylifeus.com

Scan for installation video



The product comes in three boxes. Please install in a leveled place. Make sure bolt the expansion screws into the ground to prevent the wind from collapsing.



1. Please check the quantity of all parts before installation (refer to the Parts Lists) and the appearance of the products. Make sure the product is correct before installation.
2. Protect spare parts carefully in case any losing, scratch or damage occurred during installation. Manufacturer and seller expressly disclaim any and all liability for personal injury, property damage or loss, whether direct, indirect, or incidental, resulting from the incorrect attachment, improper use, inadequate maintenance, unapproved modification, or **neglect** of this product.

CARE AND SAFETY GUIDELINES

- The shed is intended for storage purposes only. It is not designed for habitation.
- It is strongly recommended to secure the shed to an immovable object or anchor to the ground by drilling holes in the shed floor (at the pre-marked locations) and inserting proper screws into the ground (screws are not included).
- Do not attempt assembly on windy or cold days.
- Periodically check the shed to ensure that it is stable and that the site is level.
- Be careful when handling parts with steel edges.
- When assembling or handling the shed, use only those tools listed in the user manual.
- Always wear work gloves, safety goggles and long sleeves when assembling or performing any maintenance on your shed.
- Avoid using a lawnmower or mechanical scythe near the shed.
- Wear safety goggles and always follow the manufacturer's instructions when using power tools.
- Wash the shed with a garden hose or a mild detergent solution. Do not use a metal brush or abrasive cleaners, including degreasers and oil- or acetone-based cleaning materials, as these may stain or damage the shed.
- Do not store hot items, such as recently used grills and blowtorches, and volatile chemicals in the shed.
- Avoid placing heavy items against the walls, as this may cause distortion.
- Avoid placing sharp items directly on floor which may cause broken.
- Keep the roof clear of accumulated snow and leaves. Large amounts of snow on the roof can damage the shed, making it unsafe to enter.
- Wind direction is an important factor to consider when determining the location of the shed. Reduce exposure to the wind, in general, and of the door side in particular. Keep doors closed and locked when the shed is not in use to prevent wind damage.
- Do not stand on the roof.
- Consult your local authorities to check if permits are required to erect the shed.

Safety Precautions

We recommend **two adults** to complete the installation.

Two adults installed together will make the installation process easier and safer. The gloves must be carried to prevent hand cuts during installation.

Take care when using power tools near water the use of a residual current device (RCD) is advised.

Please use the electric driver carefully during screwing to prevent the screw from slipping and hurting your hand.

Be careful not to fall when installing the roof. Please steady the ladder and make sure the product placed on a flat ground.

PLEASE KEEP THIS INSTRUCTION FOR FUTURE REFERENCE.

Installation precautions

1. Site preparation

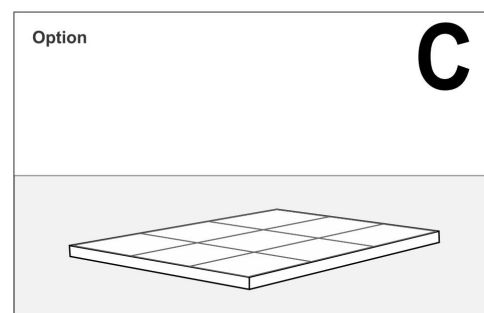
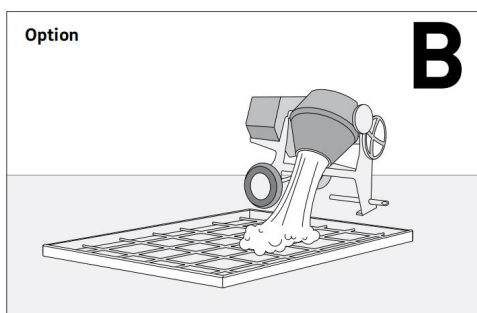
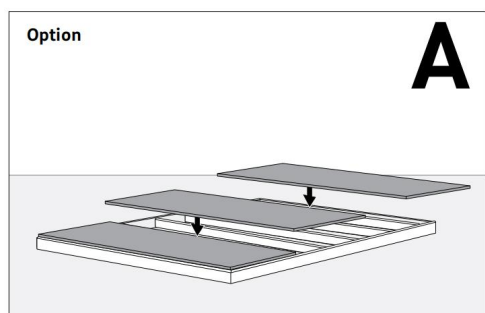
Leveling the ground.

Please place the product on a flat ground to prevent leaning and collapse. If the ground is uneven, the door may can't be closed.



2. Set up the base

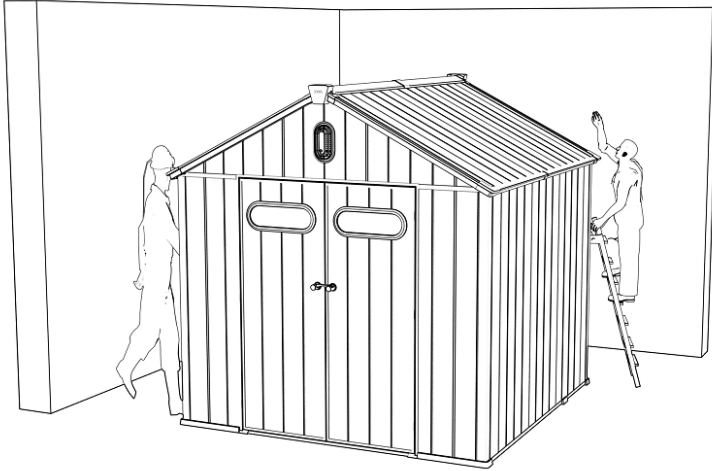
It is recommended to build a wooden base or concrete base.



ASSEMBLY INSTRUCTIONS

3. Leave enough space

Operating space shall be reserved for external installation work.



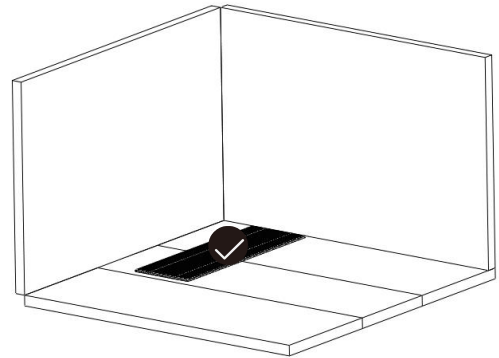
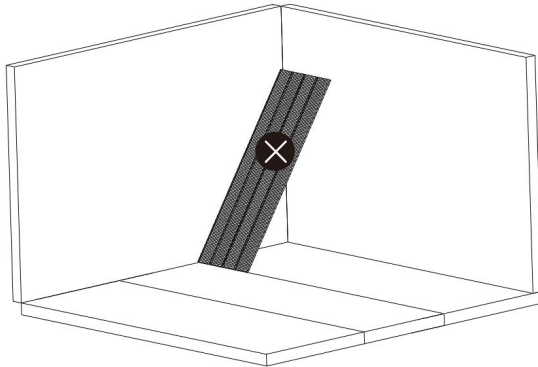
4. Tools required for installation

(**Note:** Installation requires two people to work together.)



5. Parts are placed after unpacking

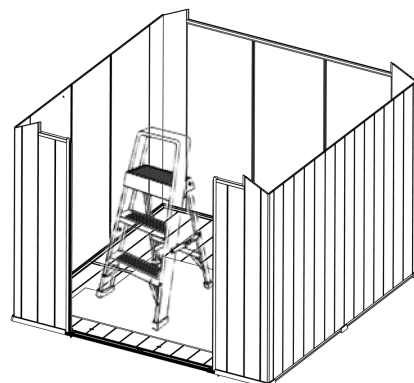
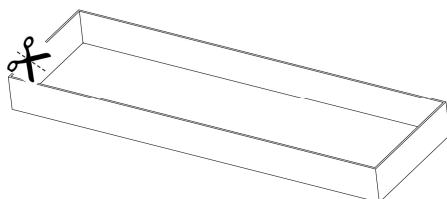
Don't lean the panels to avoid distortion.



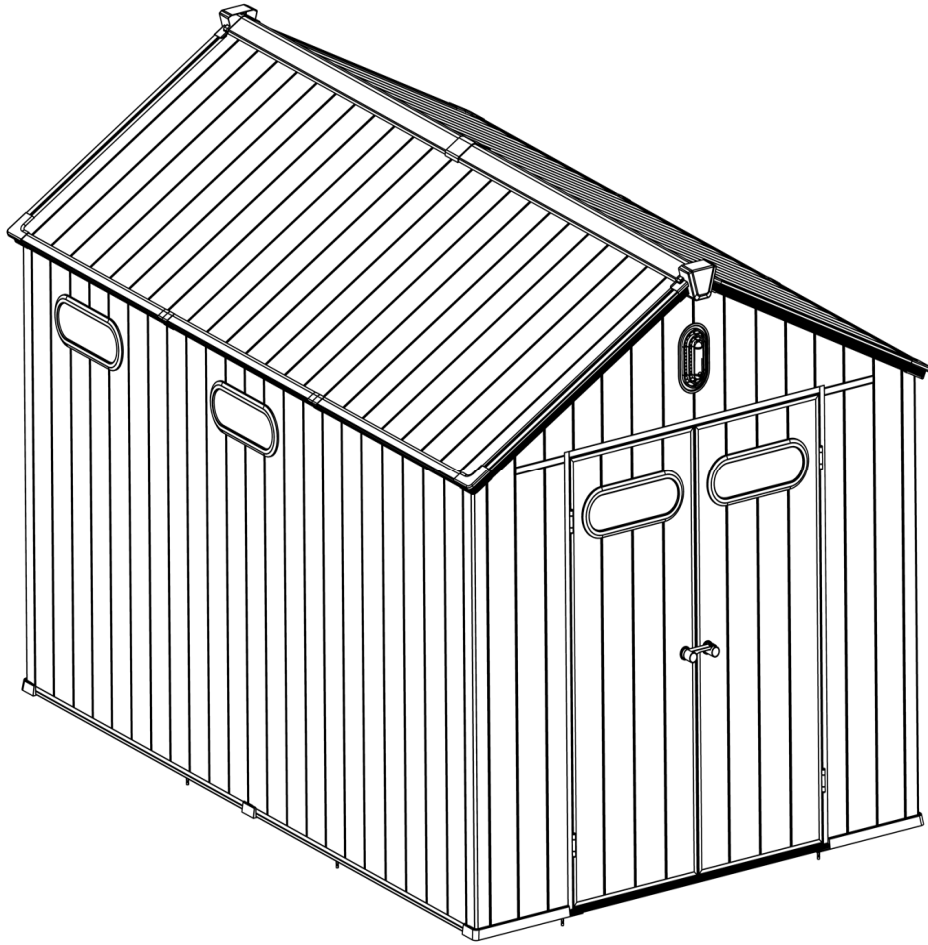
6. Protect The Floor

Disassemble the packaging cardboard box, unfold it and lay it on the floor to protect.

Directly use the ladder may cause floor damage.



I . 【8x12ft Product Introduction】



Model: DBB_SSP_KC_SA10_0812DB
Intelligent Plastic Storage Shed

Size: 92*140*95 in

Color: Grey


Base size: 139*91 in

Area covered: 87.8 saquare feet

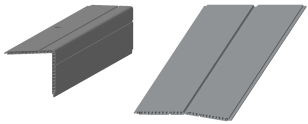
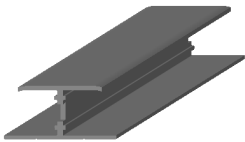
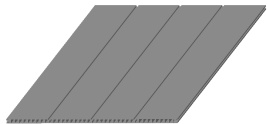
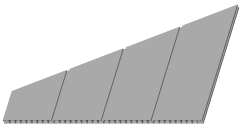
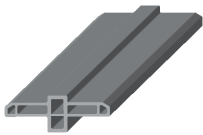
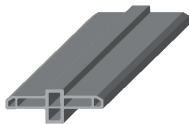
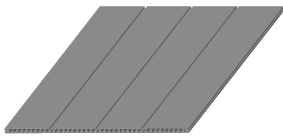
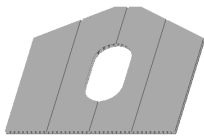
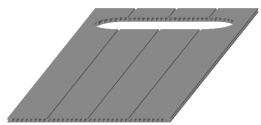
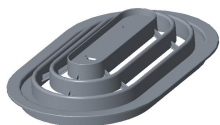
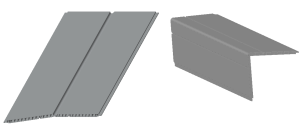

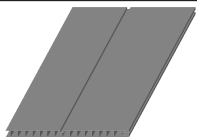
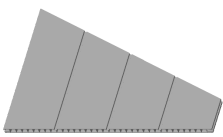

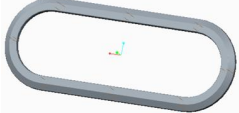
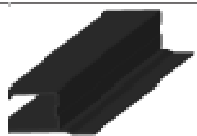
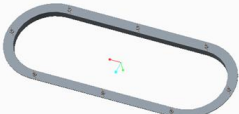
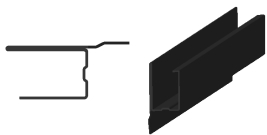


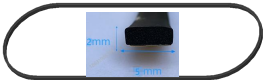
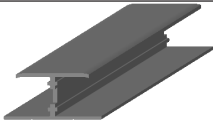
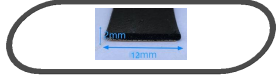
【 Plastic Storage Shed_8x12ft】

II .Accessory & Parts (1)

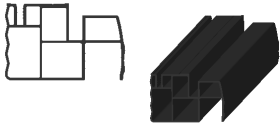
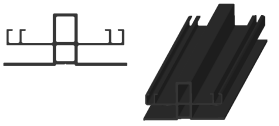
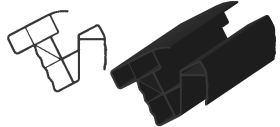
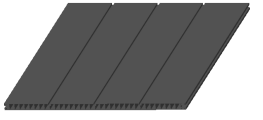


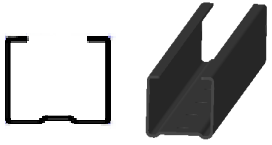



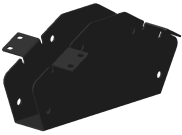

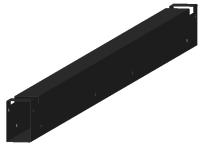
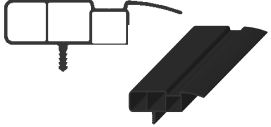

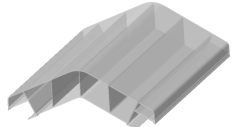

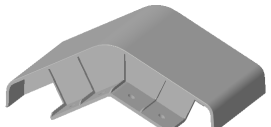
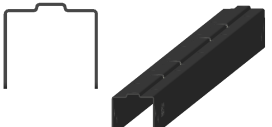

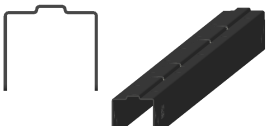
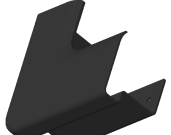
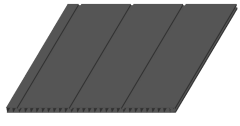

FLOOR

Item no.	Reference Image	Qty.	Item no.	Reference Image	Qty.
F.1(kc)		X1	F.12(kc)		X1
KCFFB.L8		X1	F.13(kc)		X1
F.3(kc812)		X4	F.14(kc812)		X2
KCFBC		X3	F.15(kc812)		X2
KCFRC		X2	F.17(kc)		X1
F.6(kc)		X2	F.18(kc)		X1
KCFFB.R8		X1	F.19(kc)		X1
F.8(kc6)		X6			
F.9(kc6)		X6			
F.10(kc6)		X2			
F.11(kc)		X2			

WALL

Item no.	Reference Image	Qty.	Item no.	Reference Image	Qty.
W.1(kc)		X2	W.12(kc)		X1
W.2(kc)		X3	W.13(kc)		X2
W.3(kc)		X10	W.14(kc)		X4
W.4(kc)		X8	W.15(kc)		X2
W.5(kc)		X2	VNR2.OUT		X2
W.6(kc)		X2	VNR2.IN		X2
W.7(kc)		X2	W.16(kc)		X2
W.8(kc)		X1	WIR2.OUT		X4
W.9(kc)		X1	WIR2.IN		X4
W.10(kc)		X1	WIR2.PC		X4
HD.1(kc)		X2	Rubber sealing stripe 2mm*5mm		X4
W.11(kc)		X2	Rubber sealing stripe 2mm*12mm		X4

ROOF

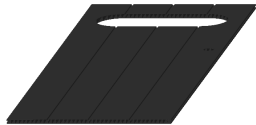



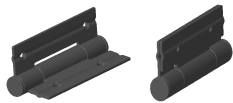
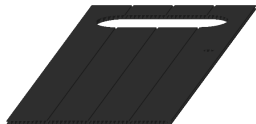
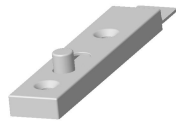
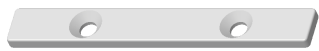
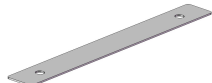

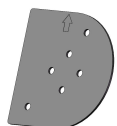
Item no.	Reference Image	Qty.	Item no.	Reference Image	Qty.
R.1(kc)		X4	R.5(kc)		X10
R.2(kc812)		X6	R.6(kc)		X8
KCRBLC		X4	HD.2(kc)		X3
FR.1(kc8)		X6	HD.3(kc)		X6
FR.2(kc816)		X4	HD.4(kc)		X3
FR.3(kc816)		X2	HD.5(kc)		X3
FR.4(kc)		X4	R.7(kc)		X4
FR.5(kc)		X2	R.8(kc812)		X2
FR.6(kc)		X2	KCRRC		X1
FR.7(kc812)		X4	KCRRH		X2
FR.8(kc812)		X2	KCRBC.L		X2
R.4(kc)		X4	KCRBC.R		X2

II .Accessory & Parts (2)

ROOF


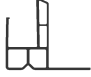





Item no.	Reference Image	Qty.
FR.9(kc)		X3
FR.10(kc)		X3
FR.11(kc)		X2
FR.12(kc)		X1
FR.13(kc)		X1
FR.14(kc)		X6
HD.6(kc)		X2
Rubber sealing stripe 20mm*2mm		X4

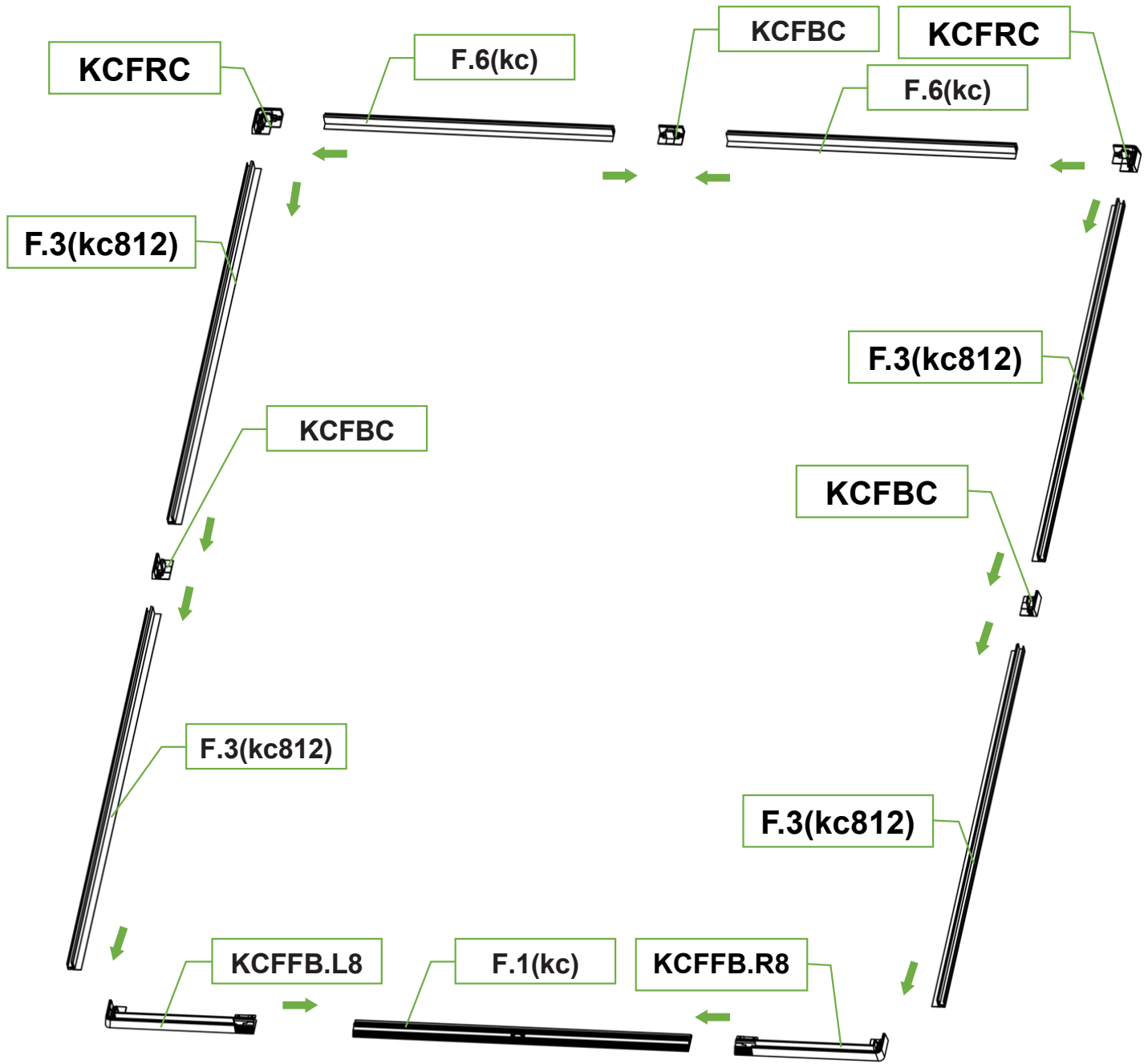
DOOR

Item no.	Reference Image	Qty.
D.1(kc)		X1
D.2(kc)		X1
D.3(kc)		X3
D.4(kc)		X4
HD.7(kc)		X4
D.5(kc)		X1
HD.8(kc)		X2
HD.9(kc)		X1
HD.10(kc)		X1
DH		X1
DH.5		X2

ASSEMBLY INSTRUCTIONS

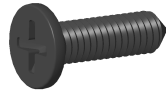
1

						
(kcFRC) 2pcs	F.3(kc812) 4pcs	(KCFFB.L8) 1pcs	(kcFFB.R8) 1pcs	F.1(kc) 1pcs	(kcFBC) 3pcs	F.6(kc) 2pcs



ASSEMBLY INSTRUCTIONS

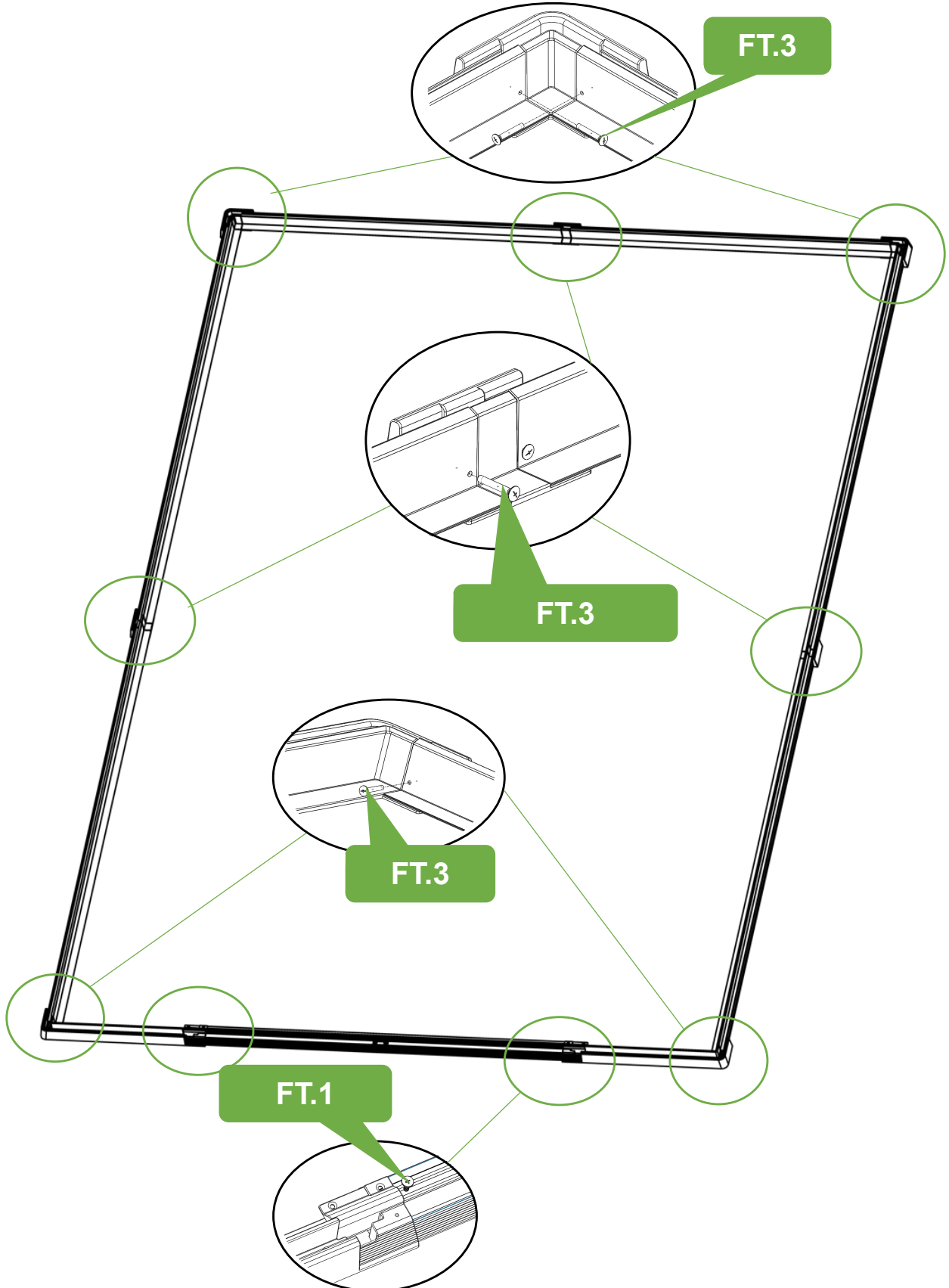
2



(FT.1)
2pcs

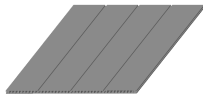


(FT.3)
12pcs

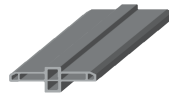


ASSEMBLY INSTRUCTIONS

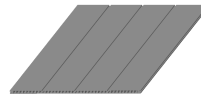
3



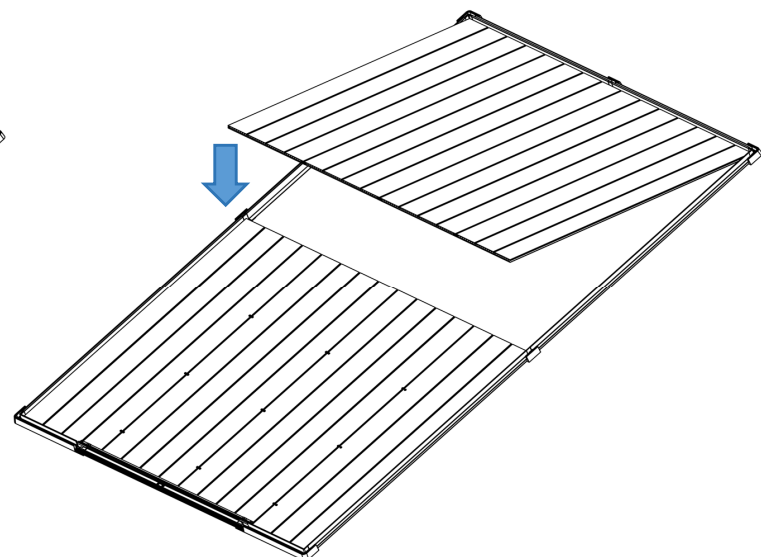
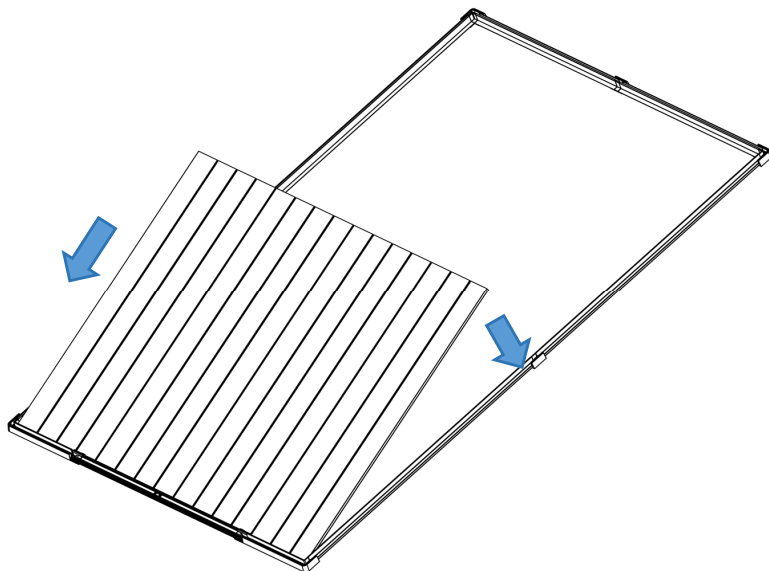
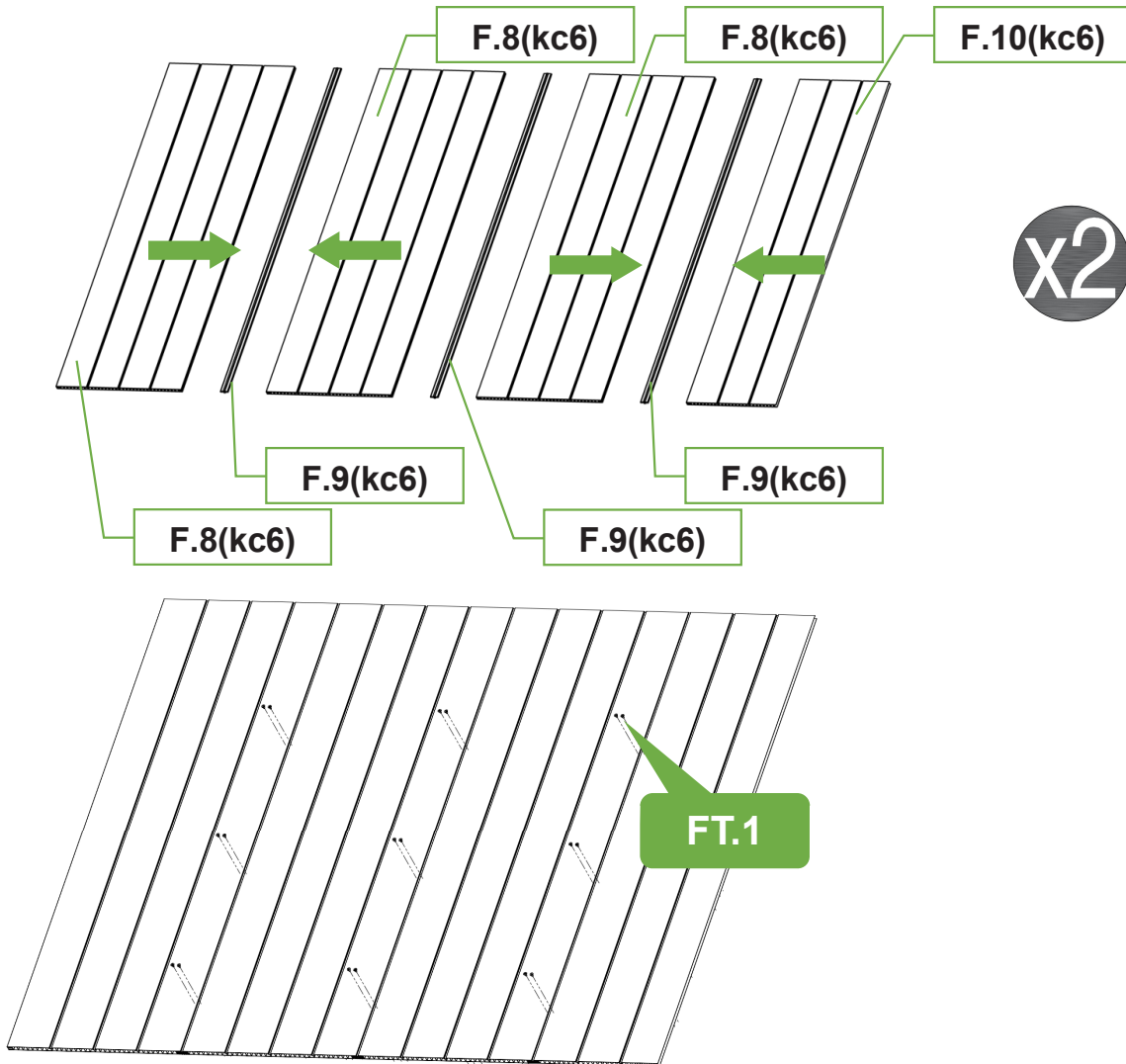
F.8(kc6)
6pcs



F.9(kc6)
6pcs









F.10(kc6)
2pcs



ASSEMBLY INSTRUCTIONS

4

- | | | | | | |
|---|---|---|--|---|---|
|  |  |  |  |  |  |
| F.12(kc)
1pcs | F.13(kc)
1pcs | F.14(kc812)
2pcs | F.15(kc812)
2pcs | F.17(kc)
1pcs | F.18(kc)
1pcs |

F.11(kc)

FT.1



FT.1
40pcs



F.11(kc)
2pcs

F.11(kc)

FT.1

F.17(kc)

F.15(kc812)

F.18(kc)

F.14(kc812)

F.14(kc812)

FT.1

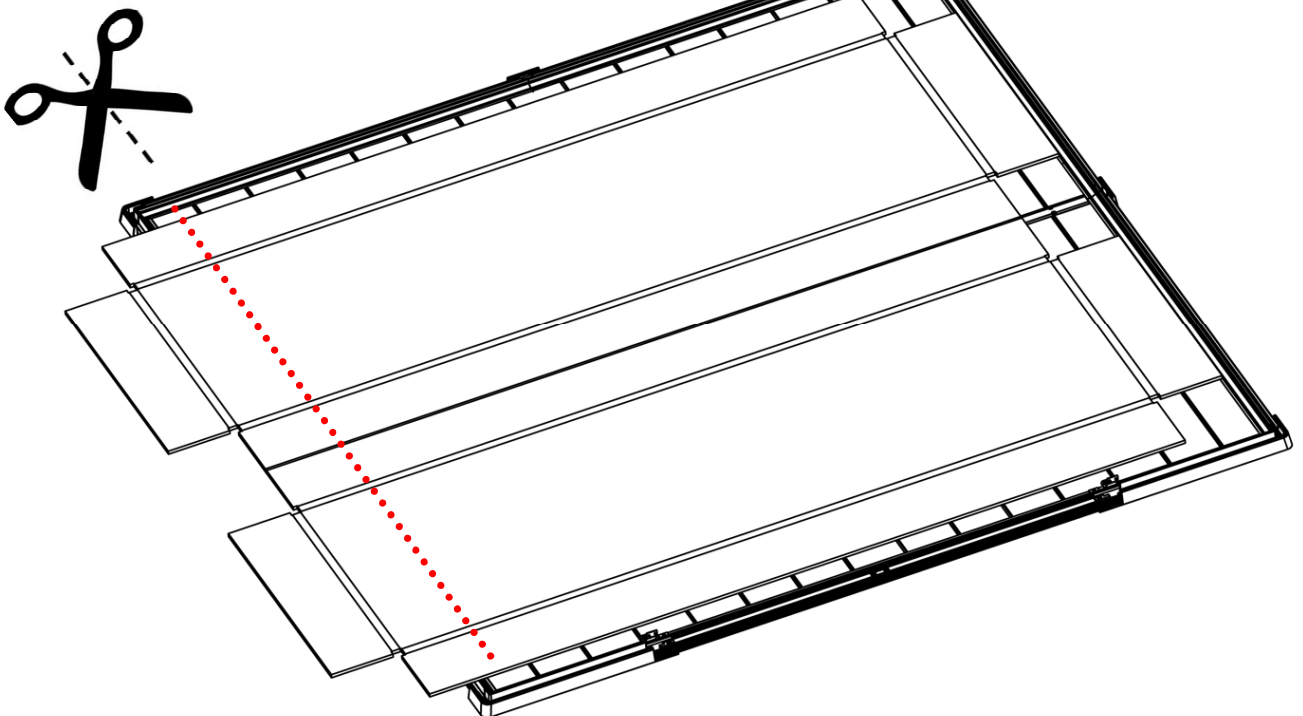
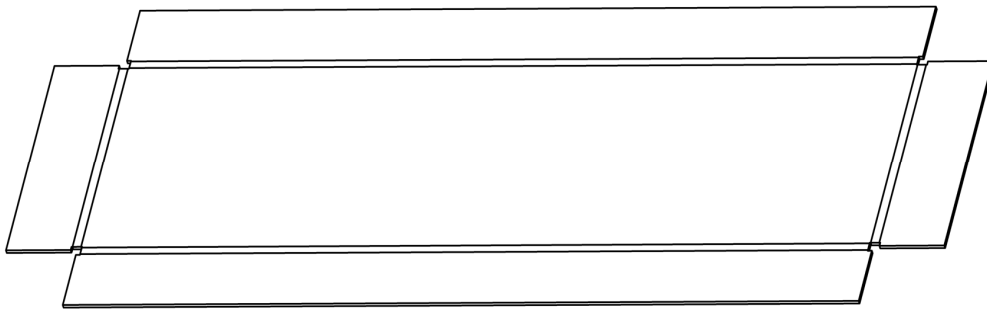
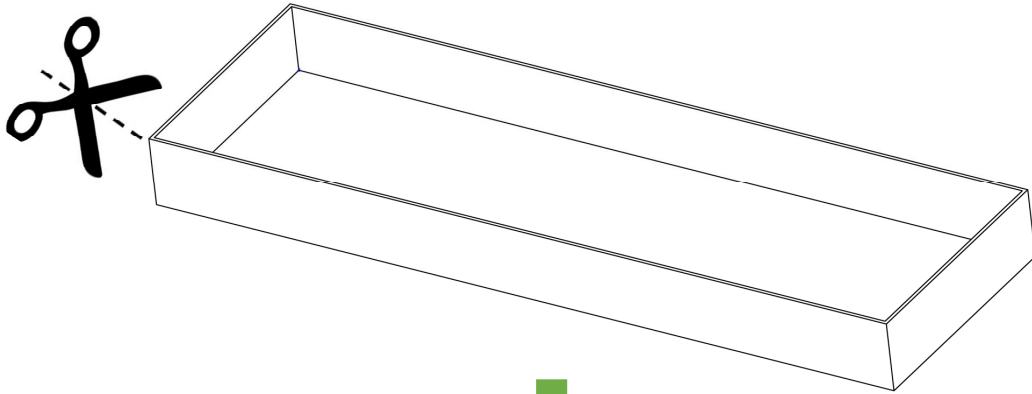
F.15(kc812)

F.12(kc)

F.13(kc)

5

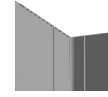
Disassemble the packaging cardboard box, unfold it and lay it on the floor to protect.



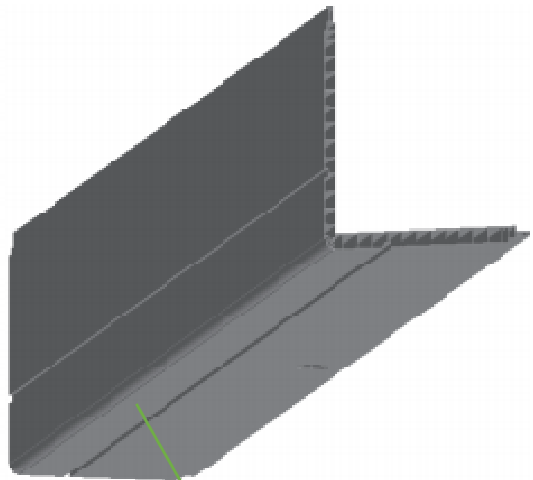
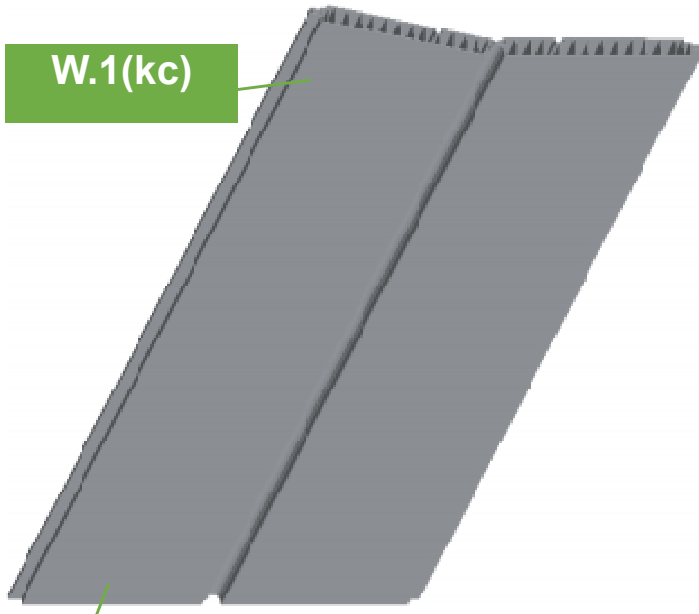
6



W.1(kc)
2pcs

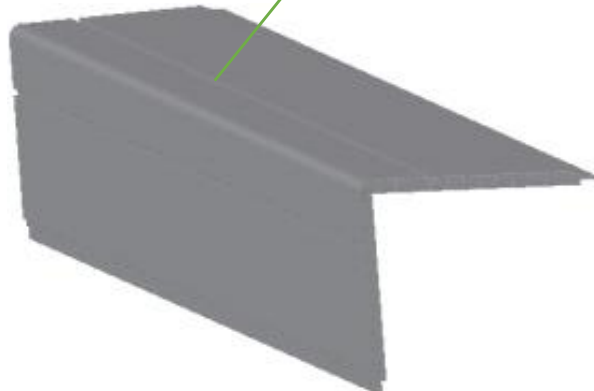
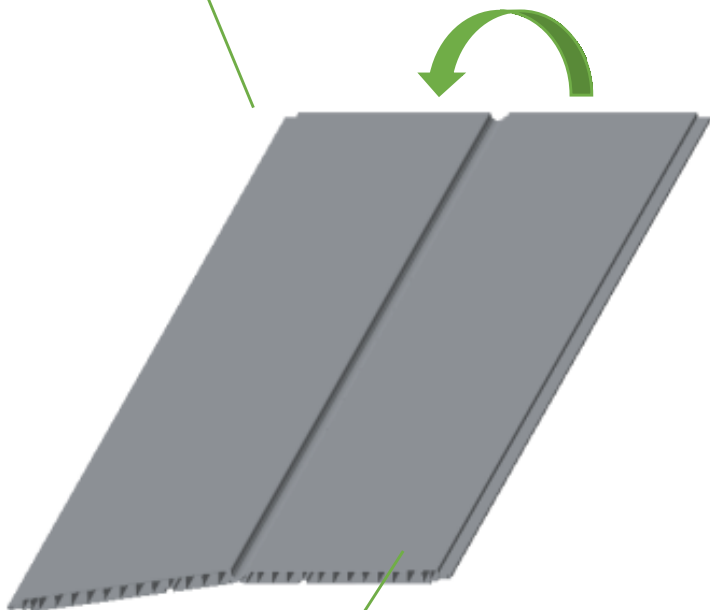


W.6(kc)
2pcs



Inside without wooden surface

Wooden surface outside



W.6(kc)

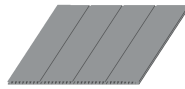
Corner Panel

ASSEMBLY INSTRUCTIONS

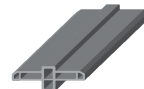
7



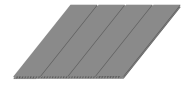
W.1(kc)
1pcs



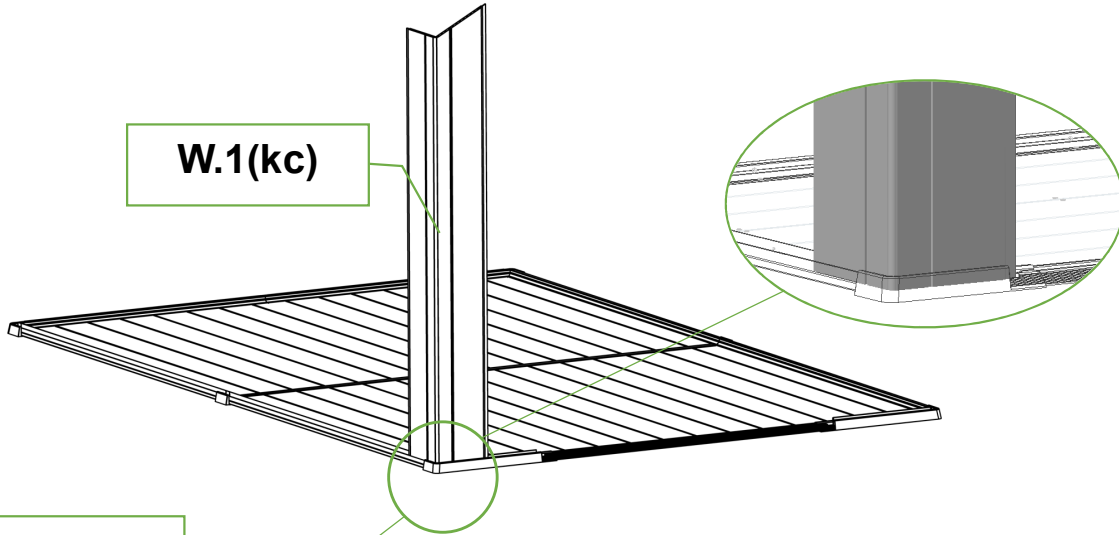
W.2(kc)
1pcs



W.3(kc)
1pcs

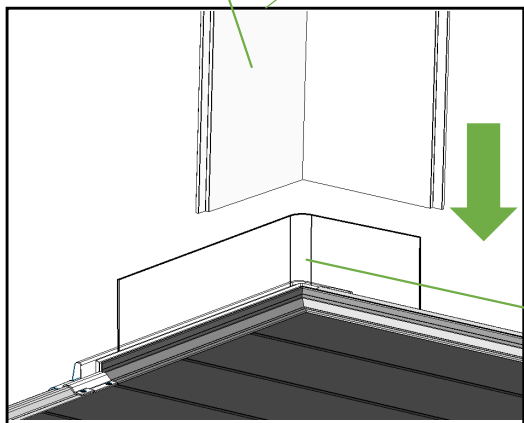


W.4(kc)
1pcs

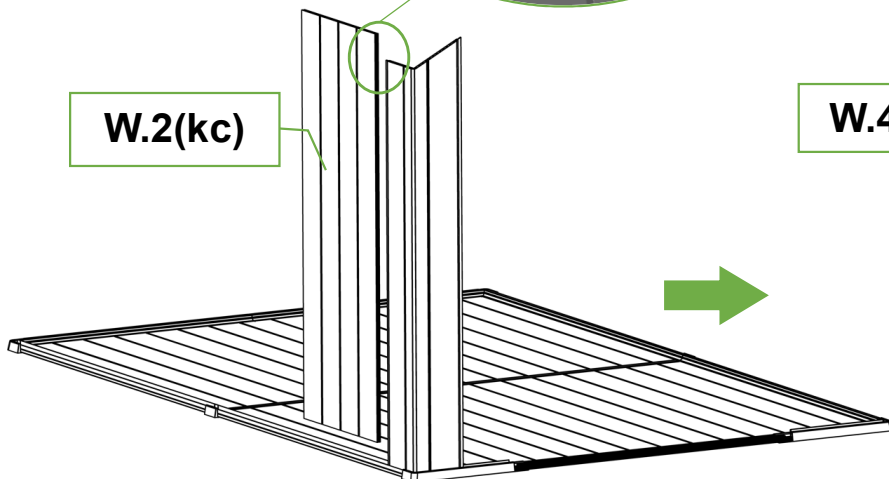
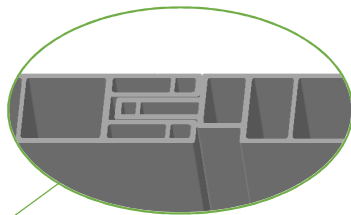


W.1(kc)

W.1(kc)

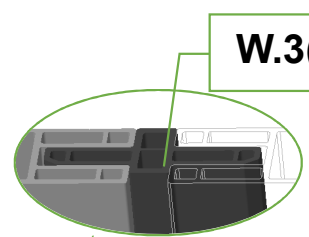


Install the guidepiece

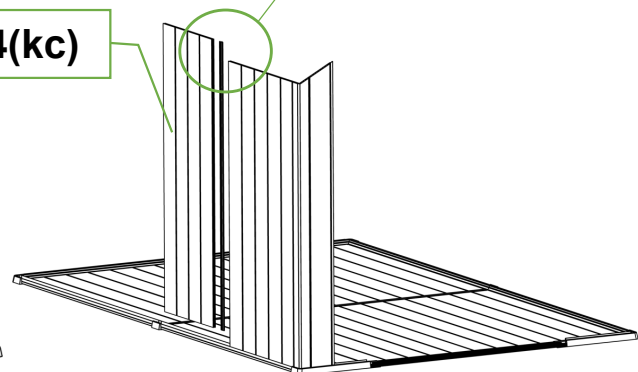


W.2(kc)

W.4(kc)



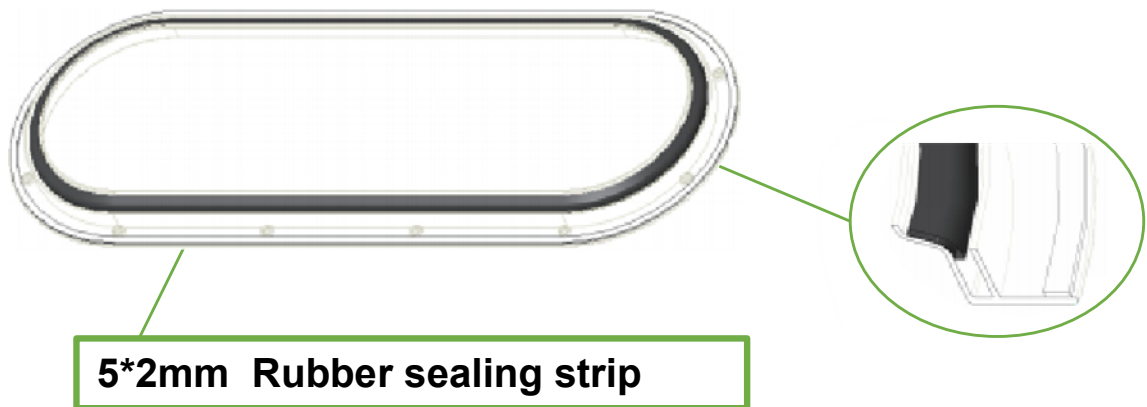
W.3(kc)



8

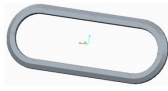
(12*2 Rubber sealing strip)
1pcs

(5*2 Rubber sealing strip)
1pcs

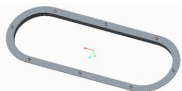


ASSEMBLY INSTRUCTIONS

9



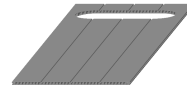
WIR2.OUT
1pcs



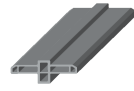
WIR2.IN
1pcs



WIR2.PC
1pcs



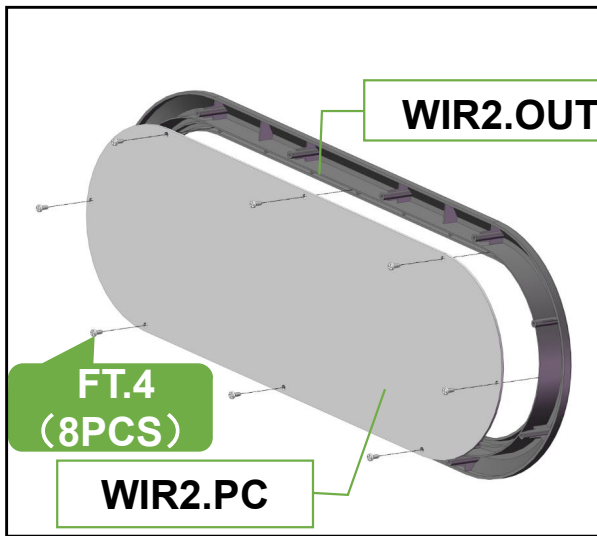
W.5(kc)
1pcs



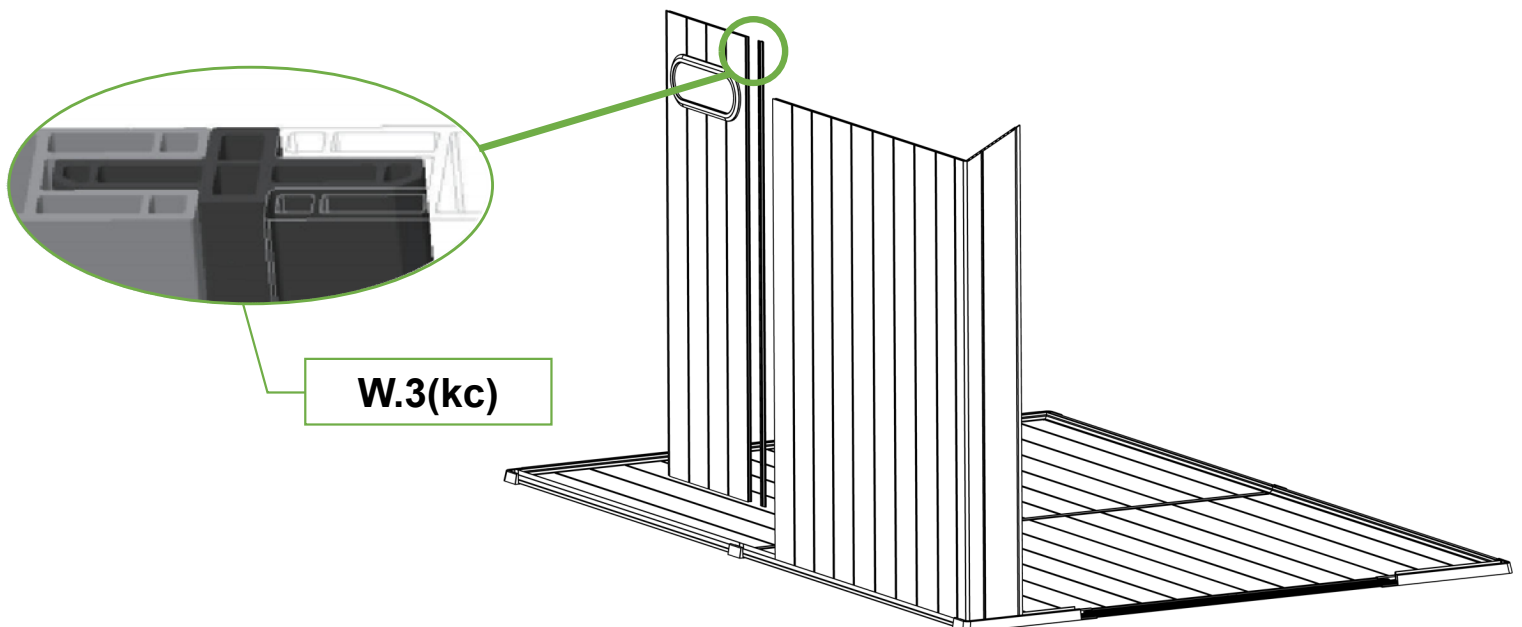
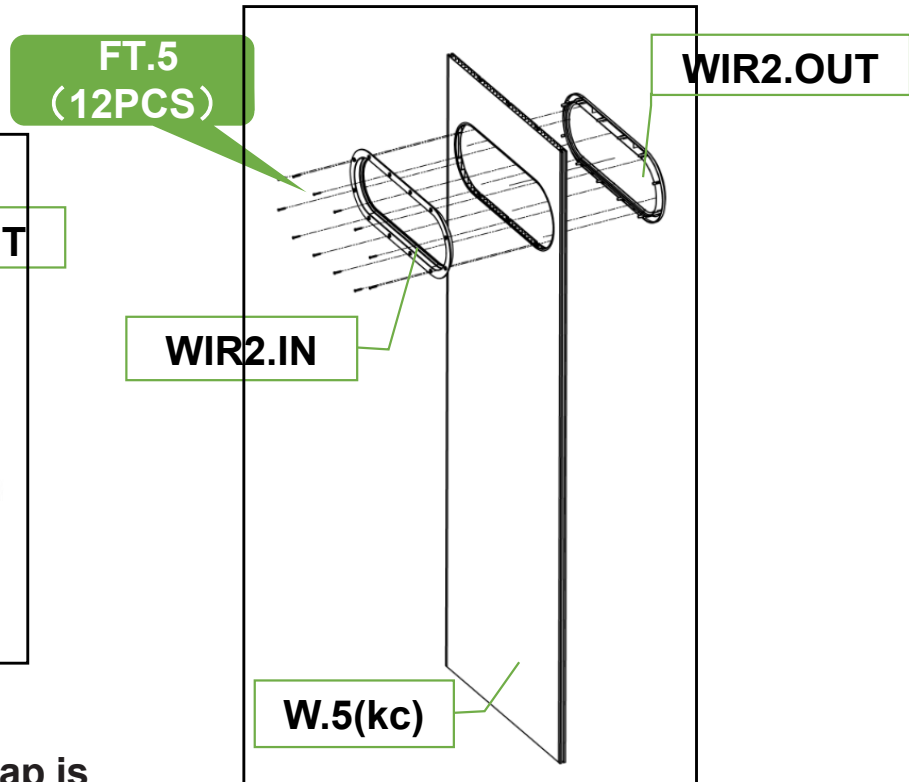
W.3(kc)
1pcs



FT.5
12pcs





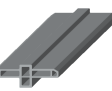

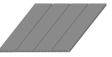


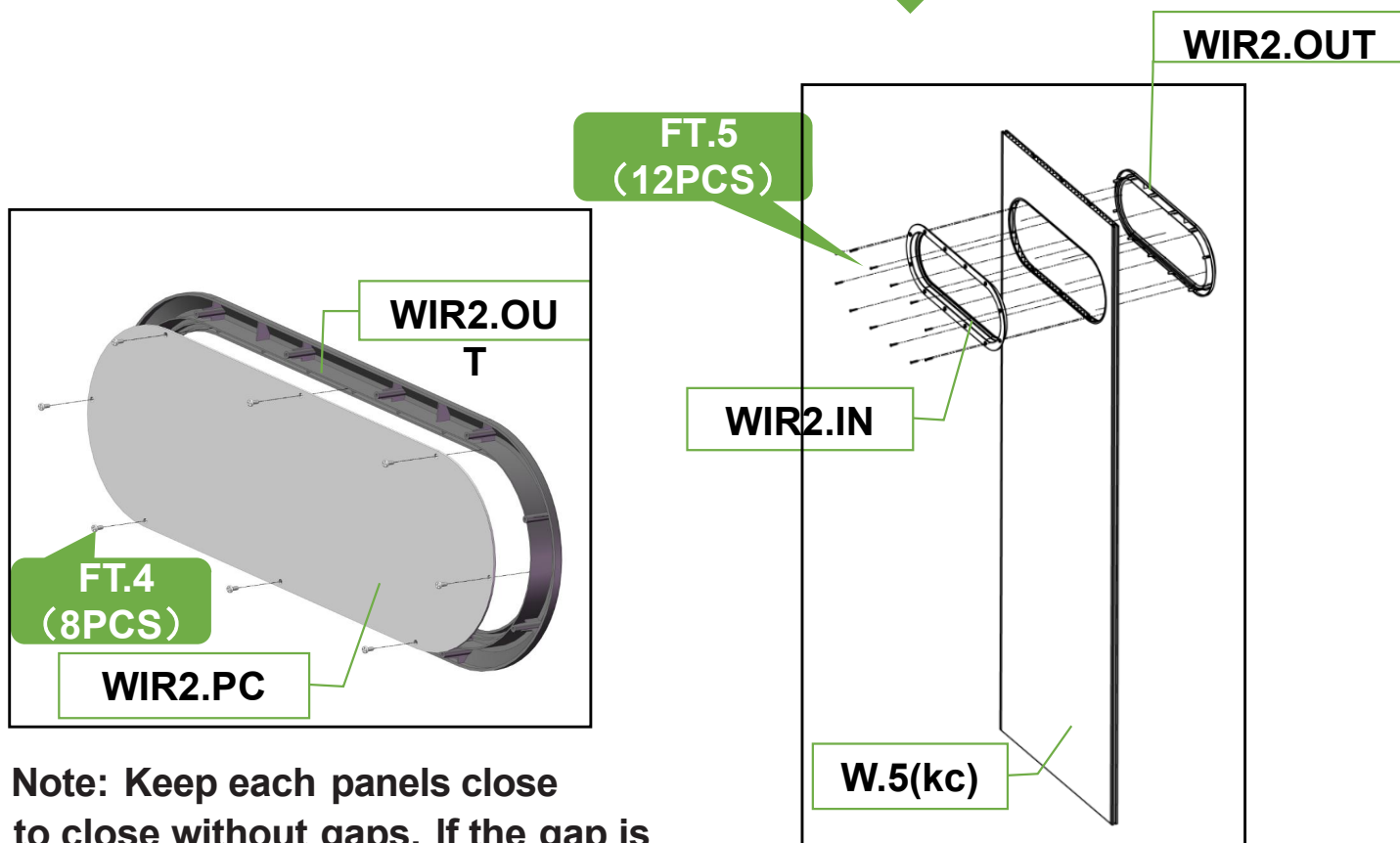
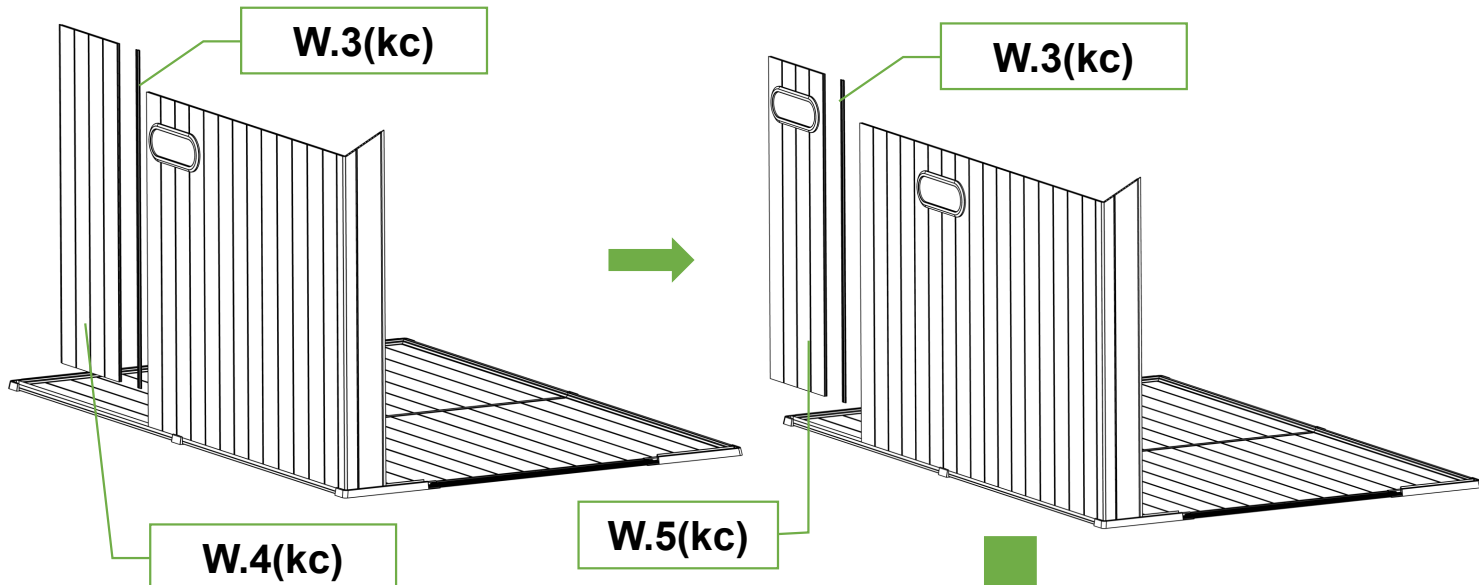
Note: Keep each panels close to close without gaps. If the gap is large, the space for installing last panels is insufficient.



ASSEMBLY INSTRUCTIONS

10

						
WIR2.OUT 1pcs	WIR2.IN 1pcs	WIR2.PC 1pcs	W.5(kc) 1pcs	W.3(kc) 2pcs	FT.5 12pcs	W.4(kc) 1pcs



Note: Keep each panels close to close without gaps. If the gap is large, the space for installing last panels is insufficient.

ASSEMBLY INSTRUCTIONS

11



W.6(kc)
1pcs



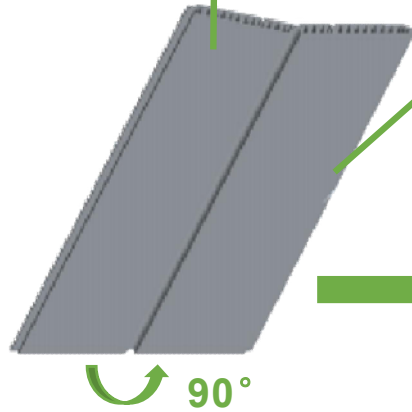
W.4(kc)
1pcs



Install the guide piece
2pcs

w.6(kc)

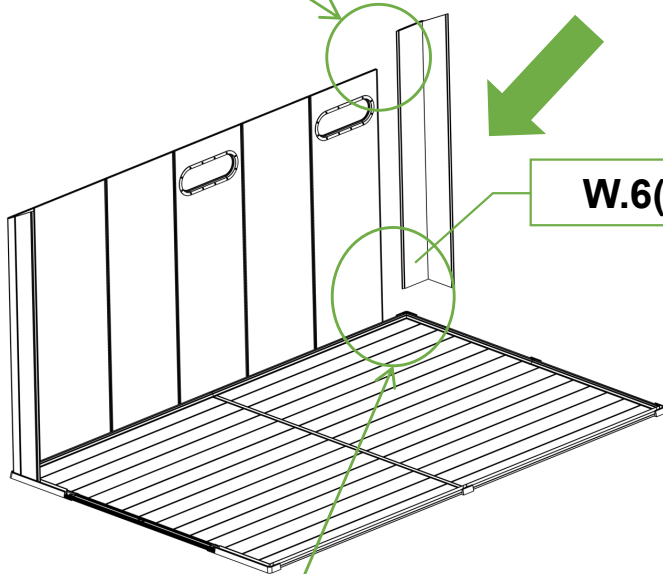
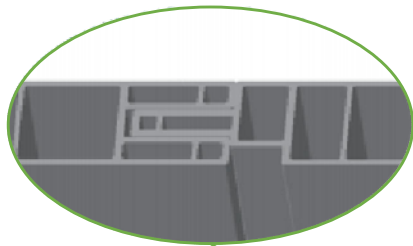
Pay attention to distinguishing
the front and back of the panel.



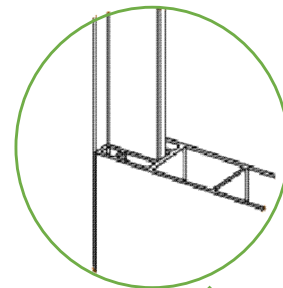
90°

no strip inside

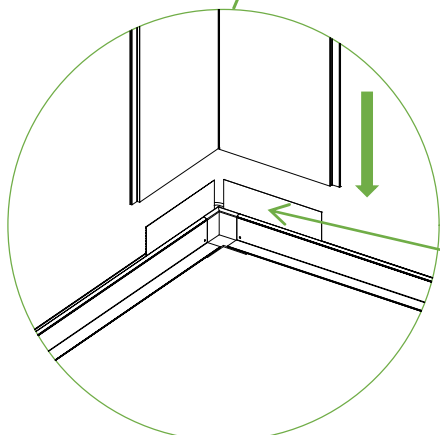
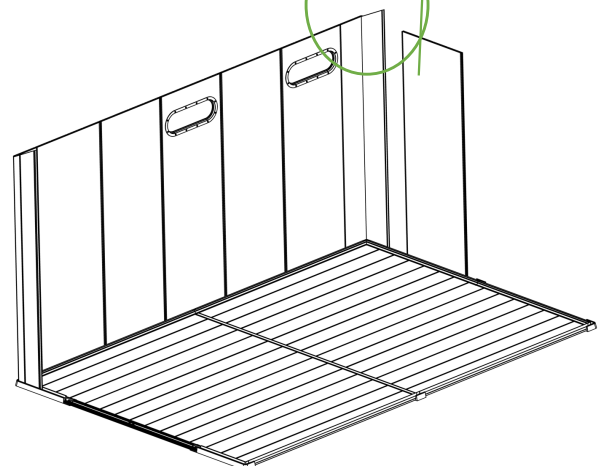
strip outside



W.6(kc)



W.4(kc)

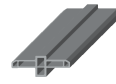


Install the
guide piece

12



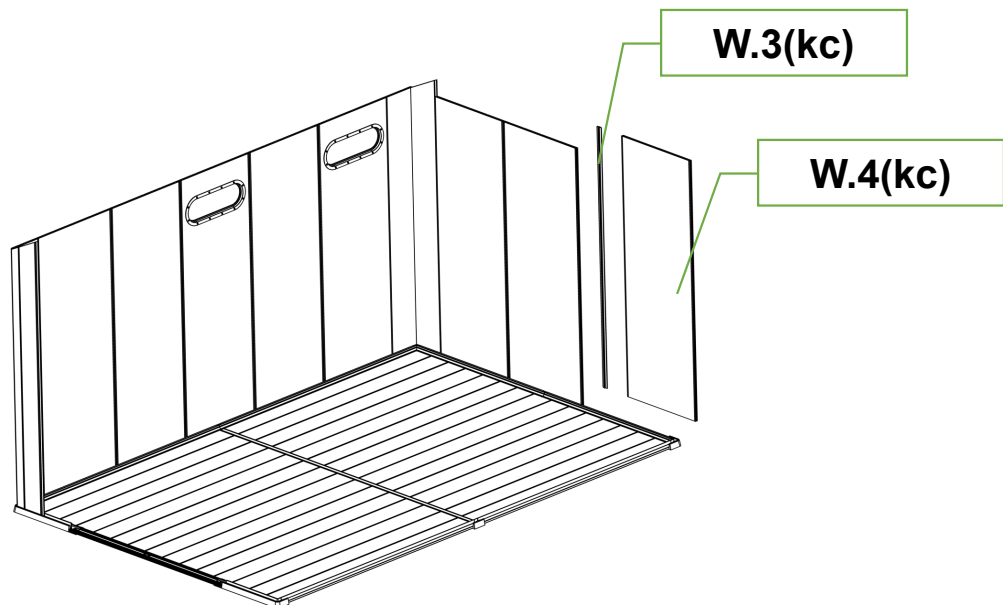
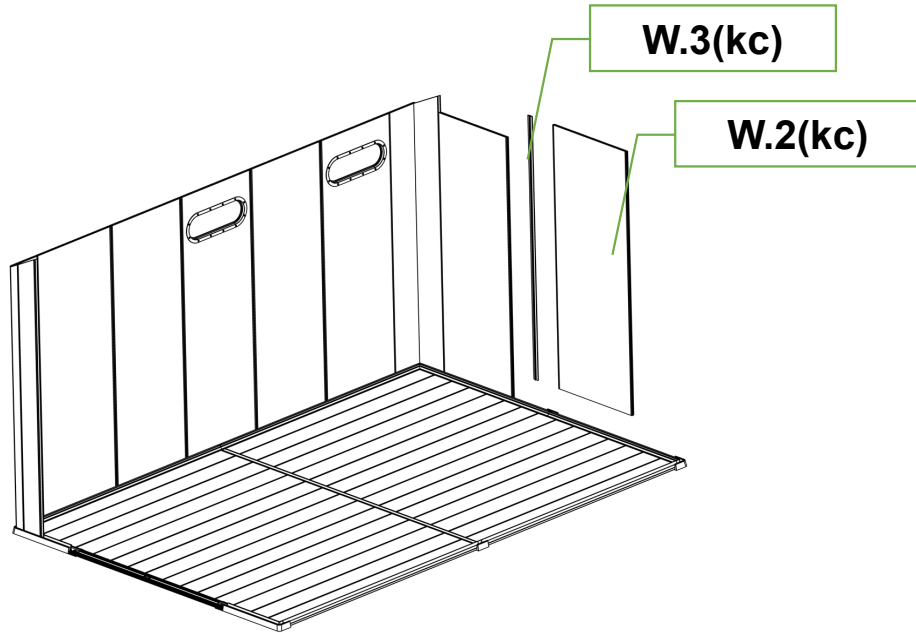
W.2(kc)
1pcs



W.3(kc)
2pcs



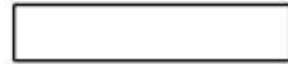
W.4(kc)
1pcs



13



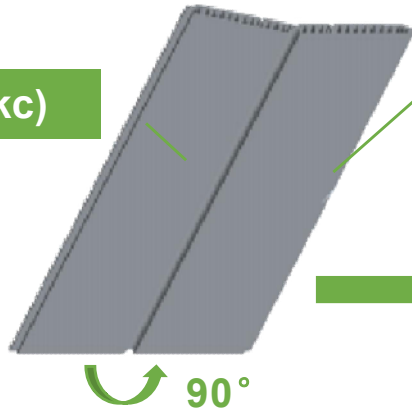
W.1(kc)
1pcs



Install the guide piece
2pcs

Pay attention to distinguishing the front and back of the panel.

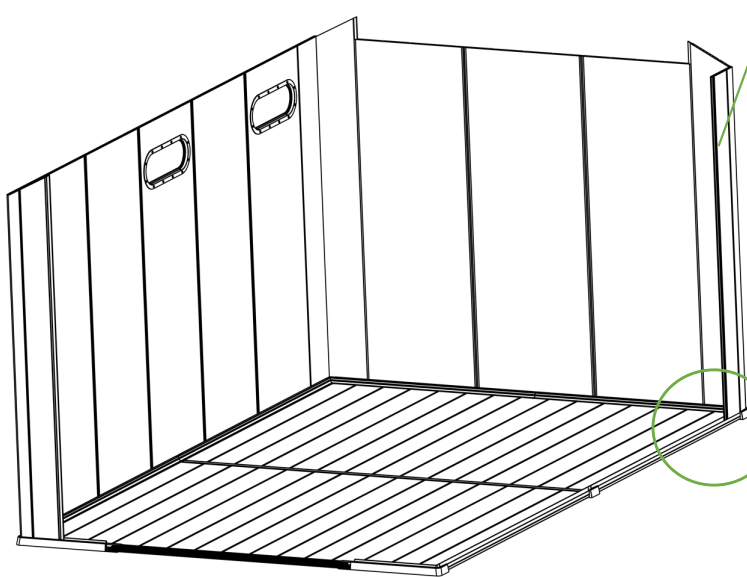
W.1(kc)



90°

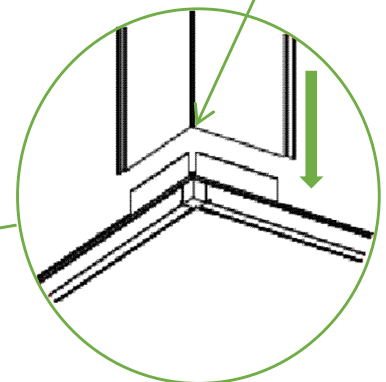
no strip inside

strip outside



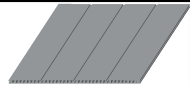
W.1(kc)

Install the guide piece to help insert

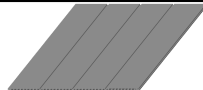


ASSEMBLY INSTRUCTIONS

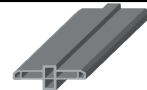
14



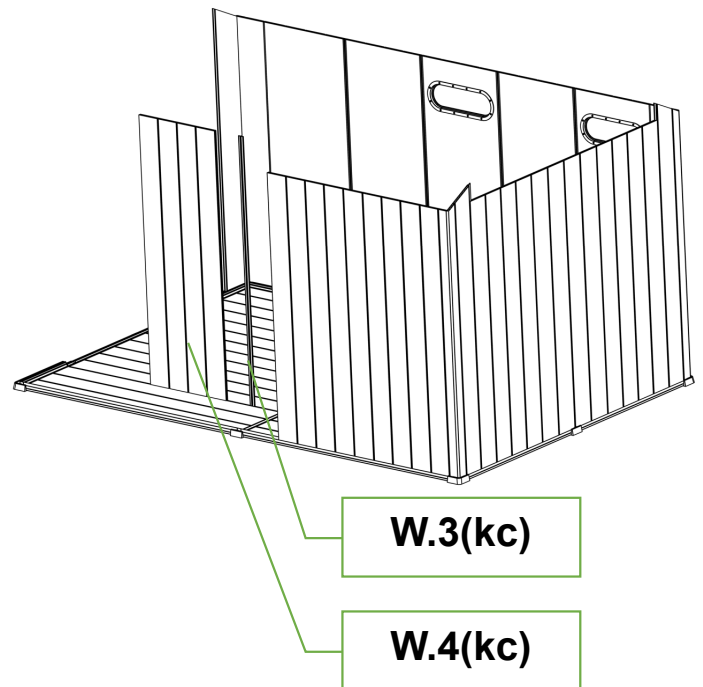
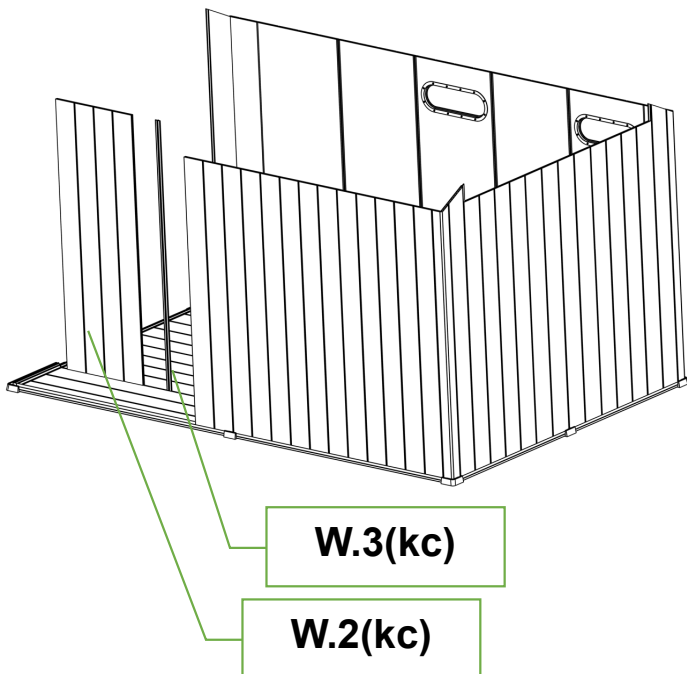
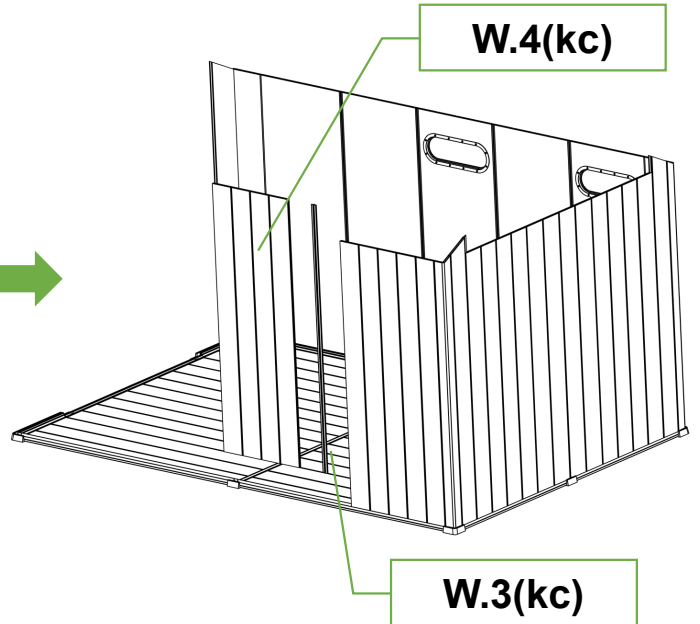
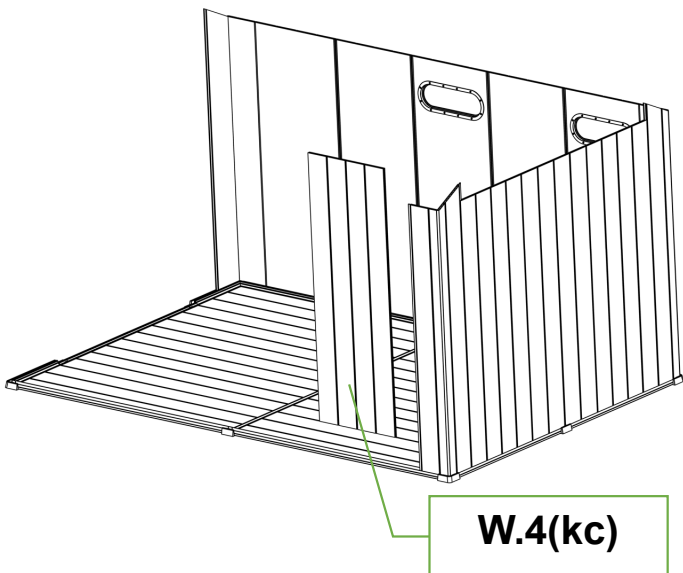
W.2(kc)
1pcs



W.4(kc)
4pcs



W.3(kc)
4pcs



15



W.6(kc)
1pcs



Install the guide piece
2pcs

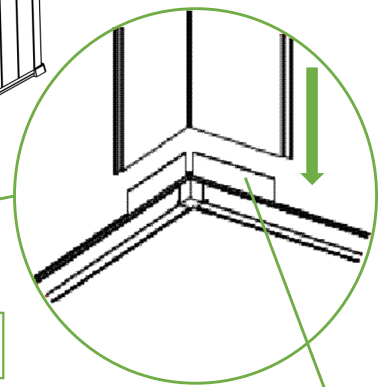
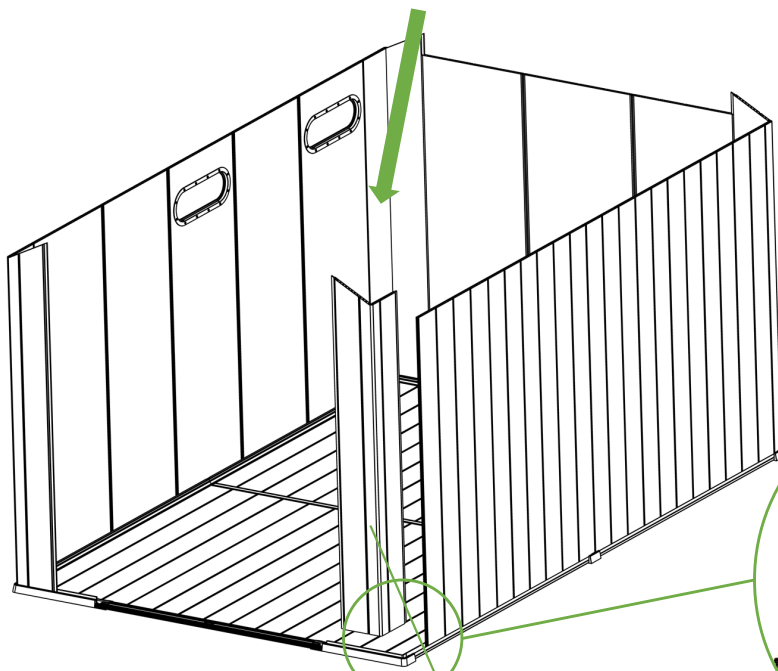
Pay attention to distinguishing the front and back of the panel.

w.6(kc)

no strip inside

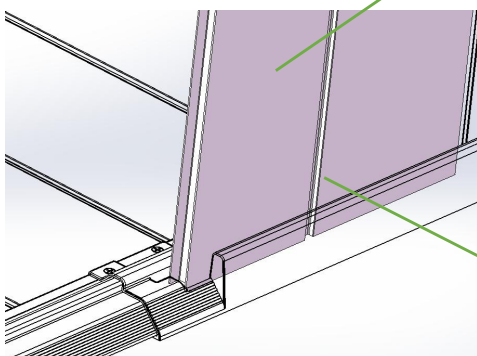
strip

90°



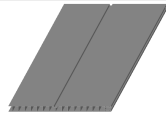
W.6(kc)

Install the guide piece to help insert

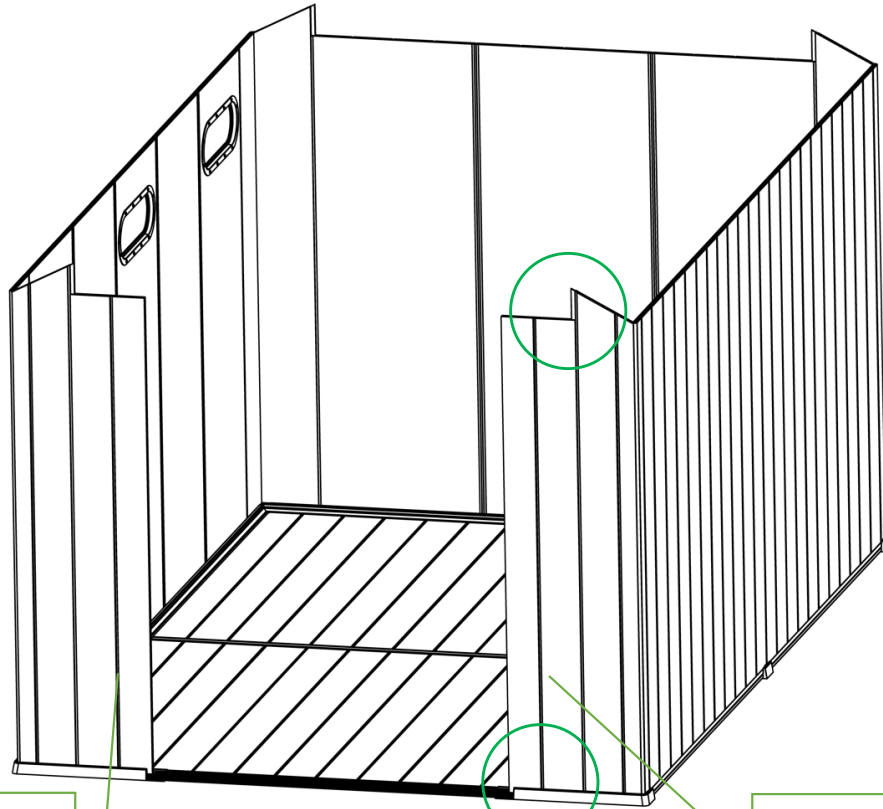


Insert the wall panels to the bottom

16

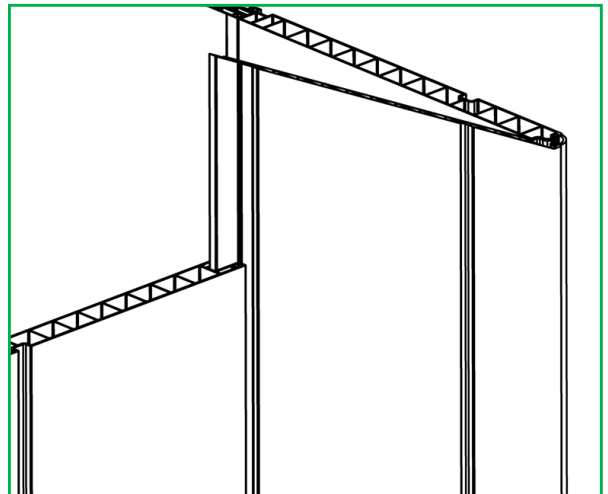
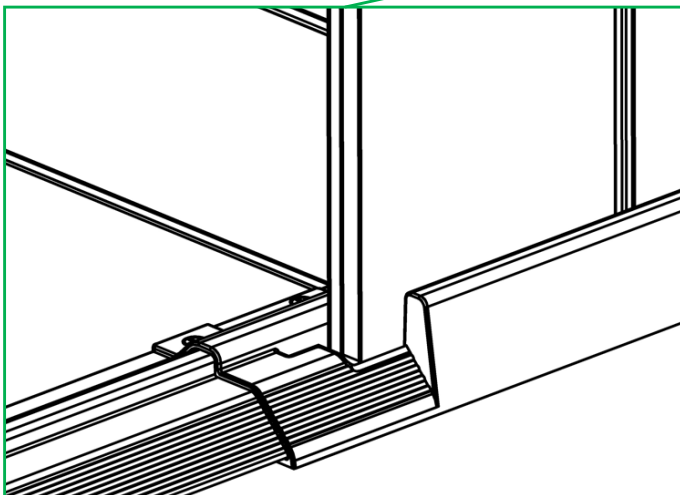


W.7(kc)
2pcs



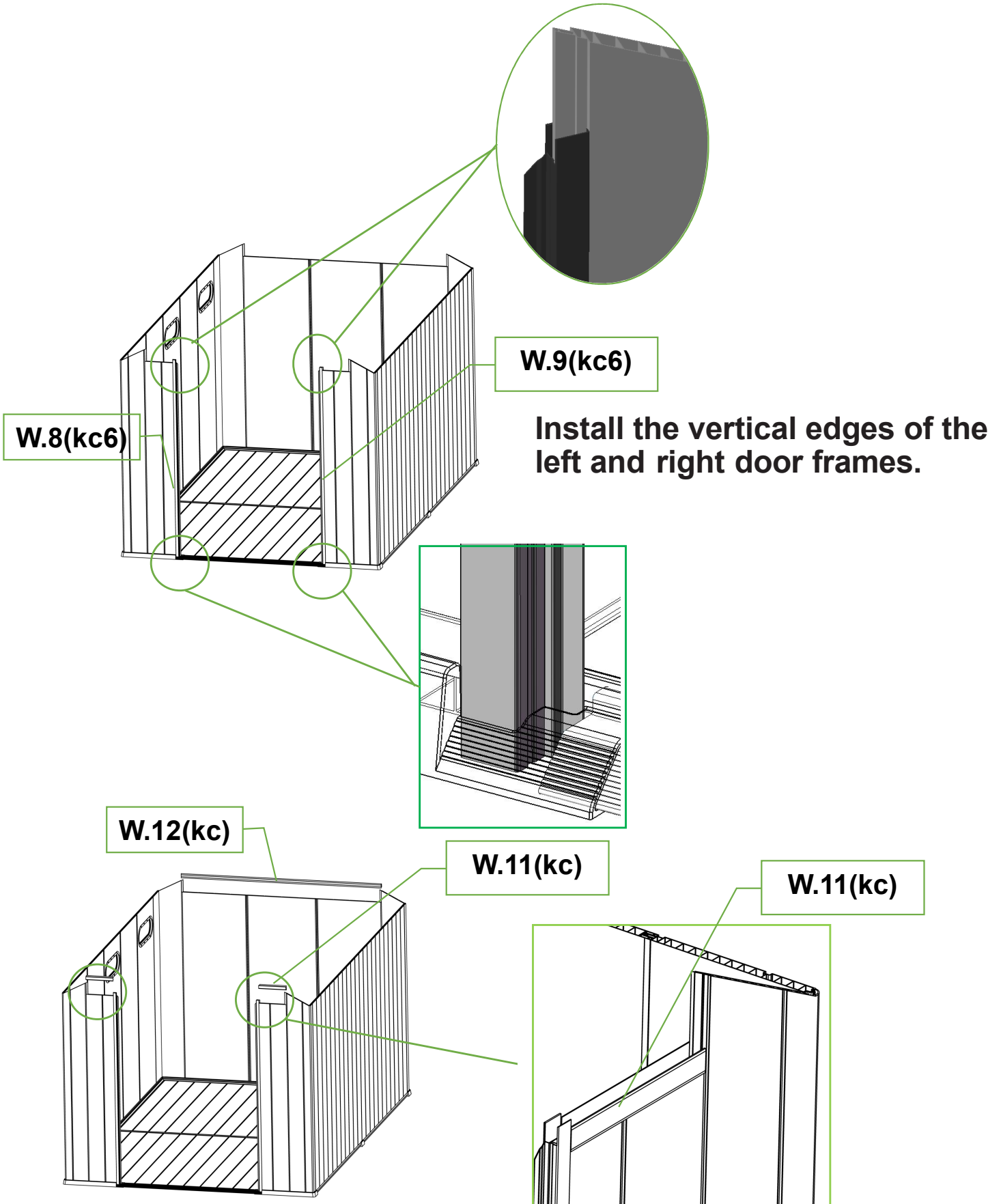
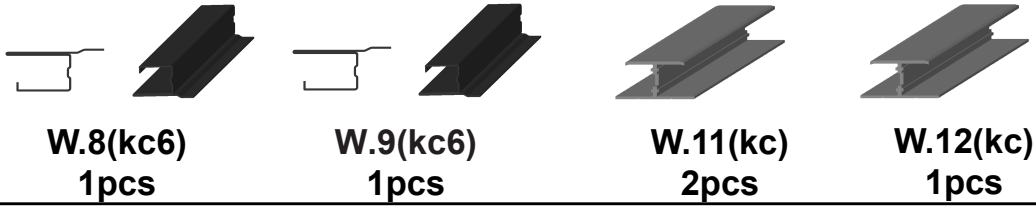
W.7(kc)

W.7(kc)



ASSEMBLY INSTRUCTIONS

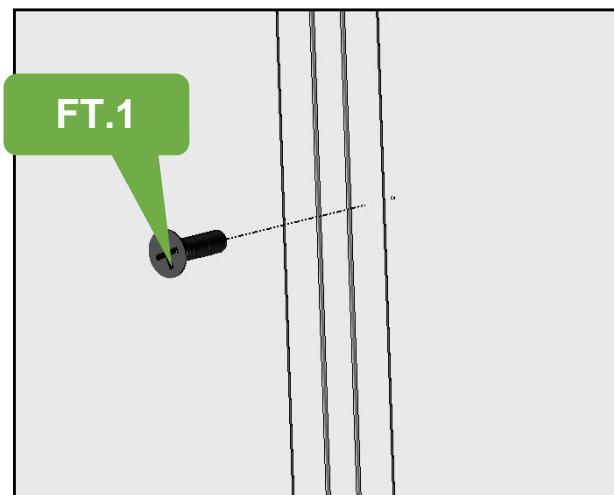
17



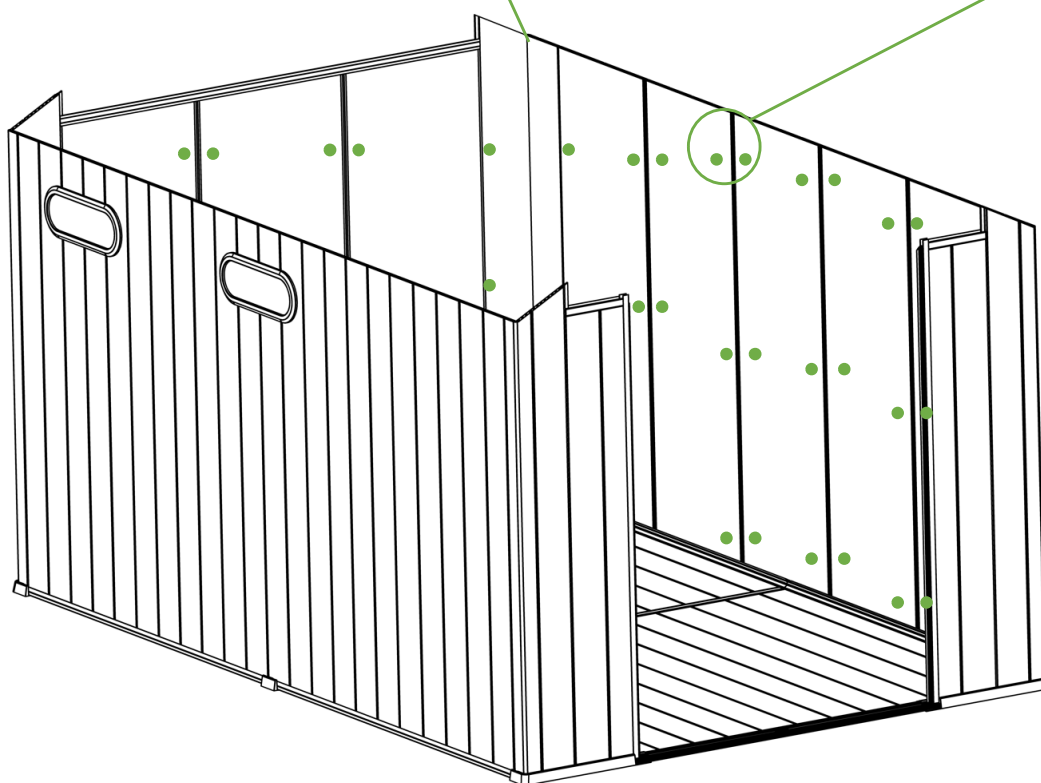
18



FT.1
90pcs



The top should be flush

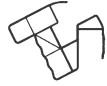


**Ensure that all connections are in place
Then fix adjacent wall panels with screws.**

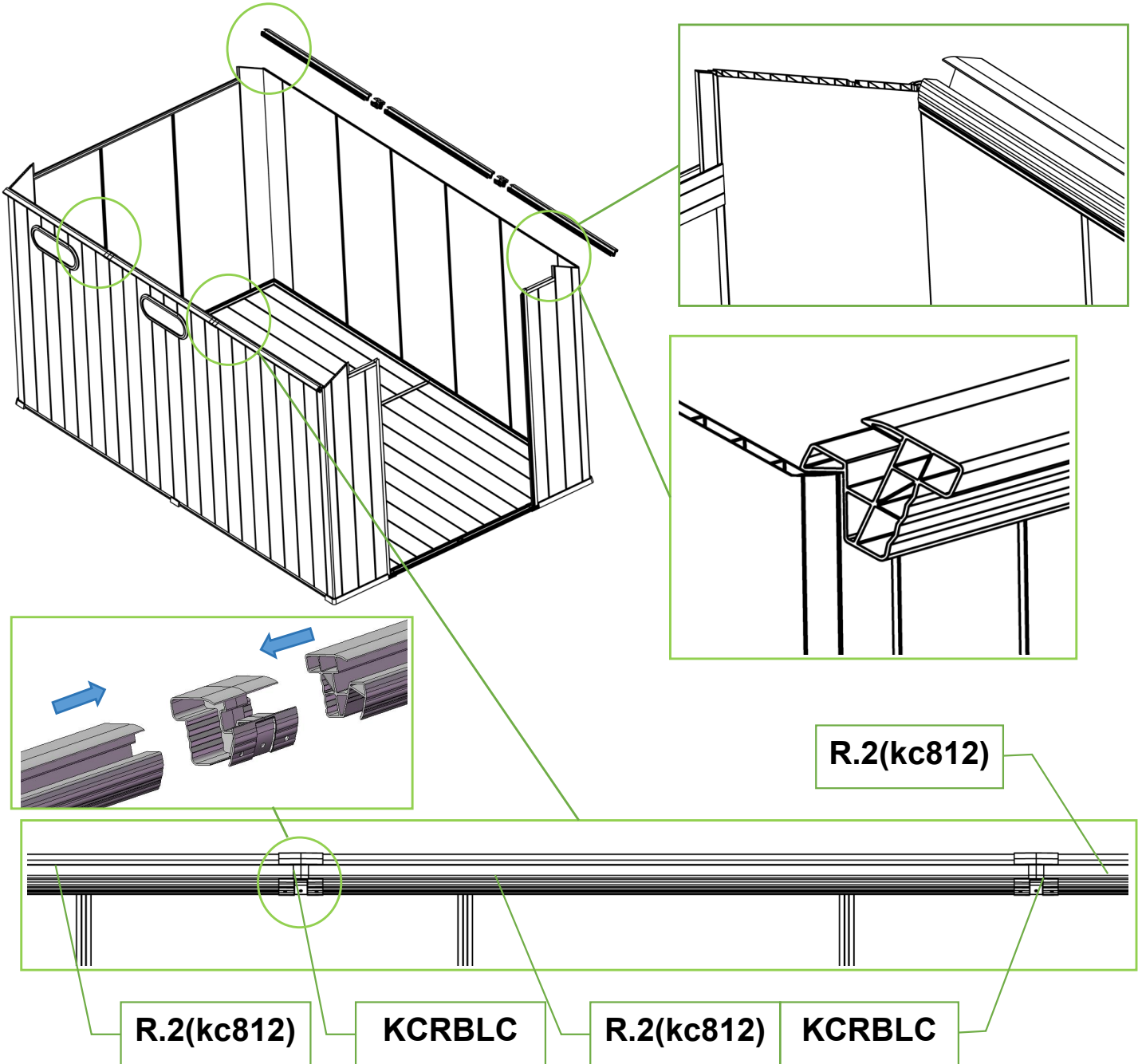
19



KCRBLC
4pcs











R.2(kc812)
6pcs

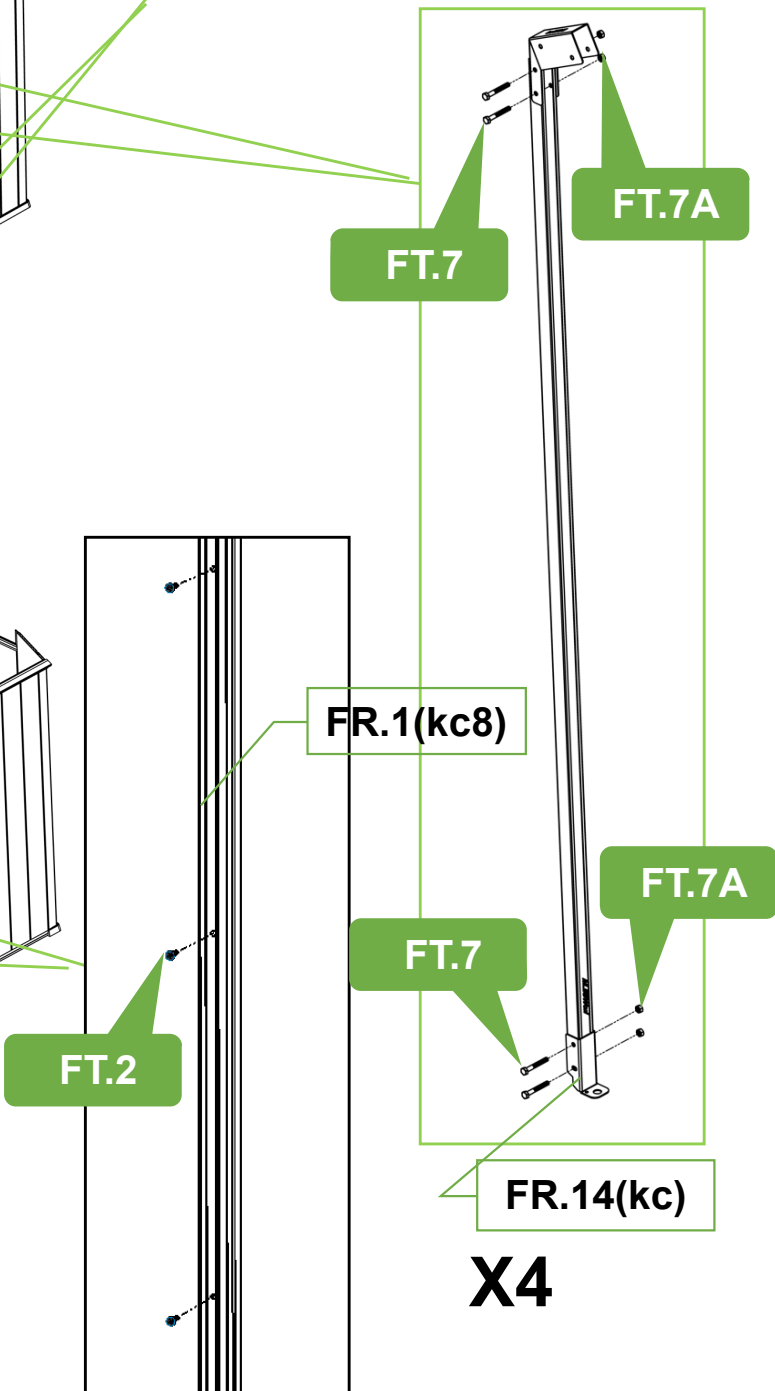
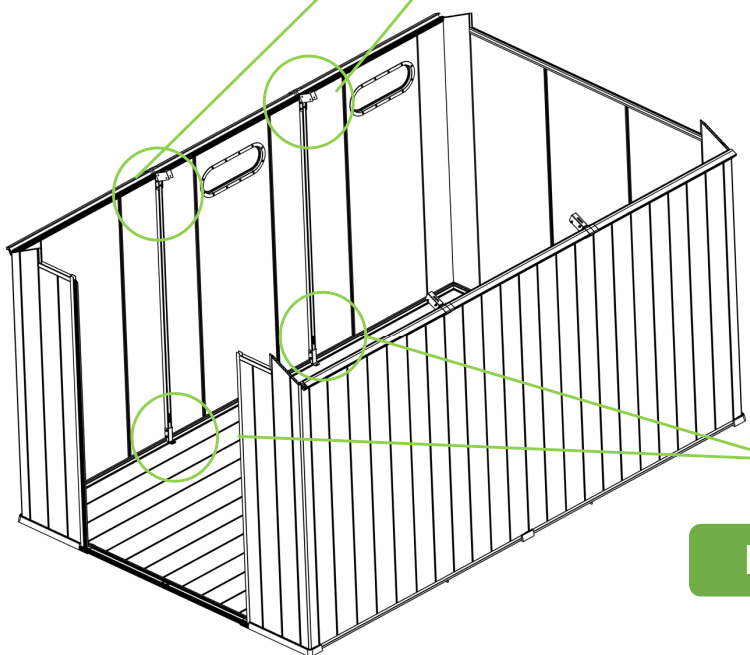
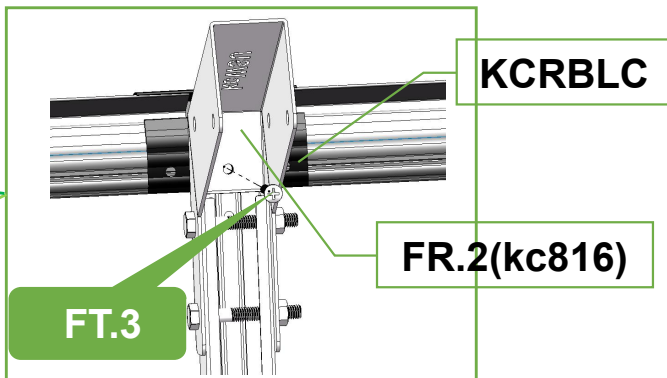
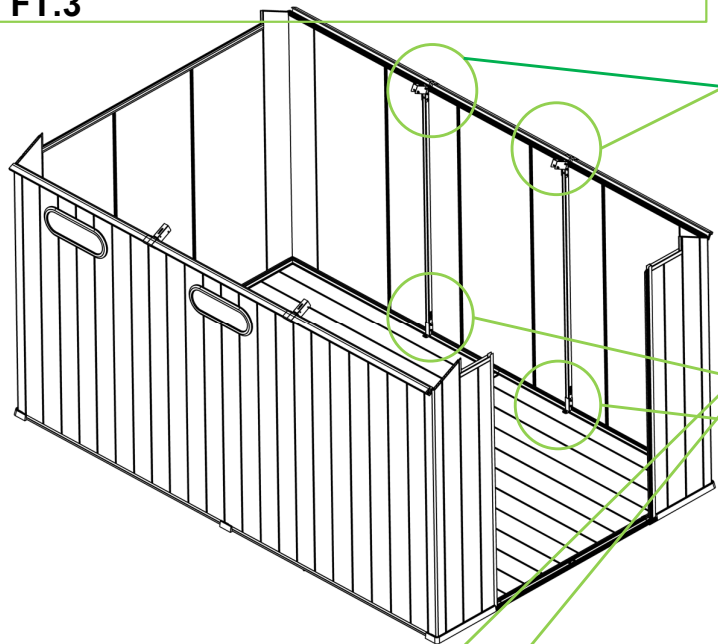


ASSEMBLY INSTRUCTIONS

20

							
FR.2(kc816) 4pcs	FR.1(kc8) 4pcs	FR.14(kc) 4pcs	FR.14(kc) 4pcs	FT.7 16pcs	FT.7 A 16pcs	FT.2 20pcs	FT.3 20pcs

Note: FR.2 (kc816) is aligned with the middle hole of KCRBLC and fixed with FT.3



ASSEMBLY INSTRUCTIONS

21



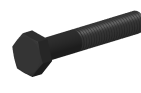
FR.3(kc816)
2pcs



FR.4(kc)
4pcs



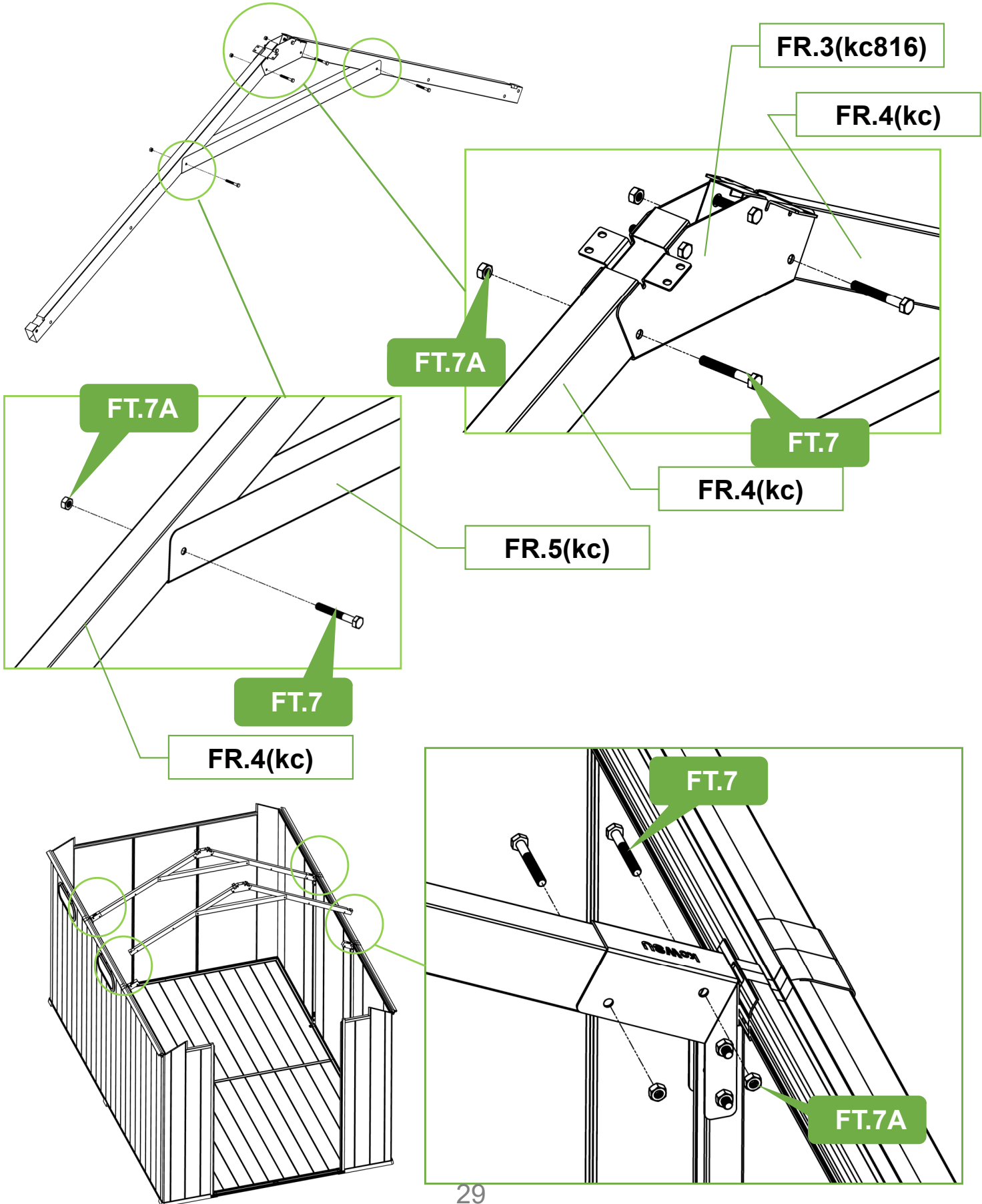
FR.5(kc)
2pcs



FT.7
24pcs

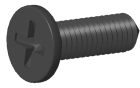


FT.7 A
24pcs



ASSEMBLY INSTRUCTIONS

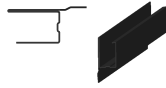
22



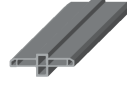
FT.6
8pcs



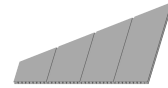
HD.1(kc)
2pcs



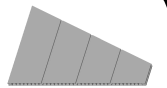
W.10(kc)
1pcs



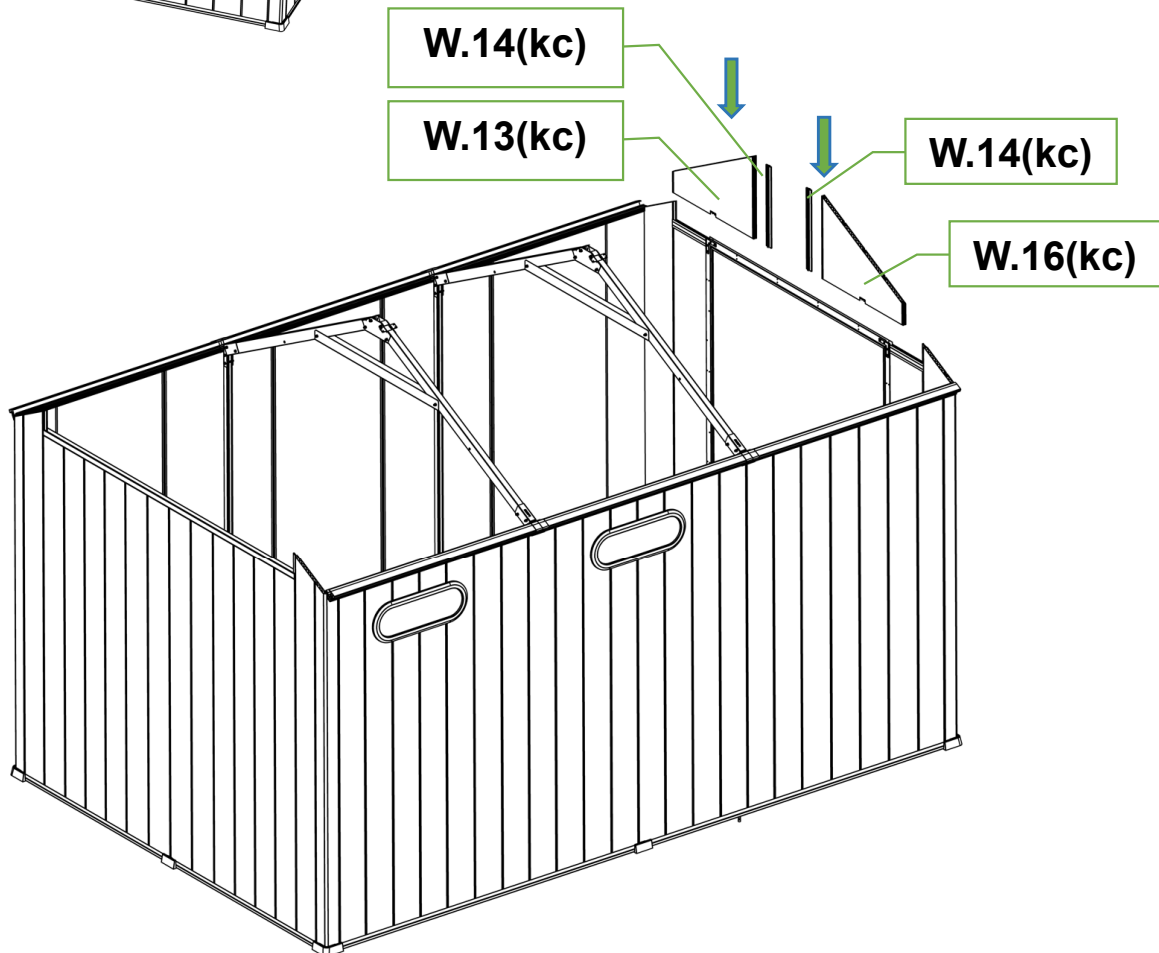
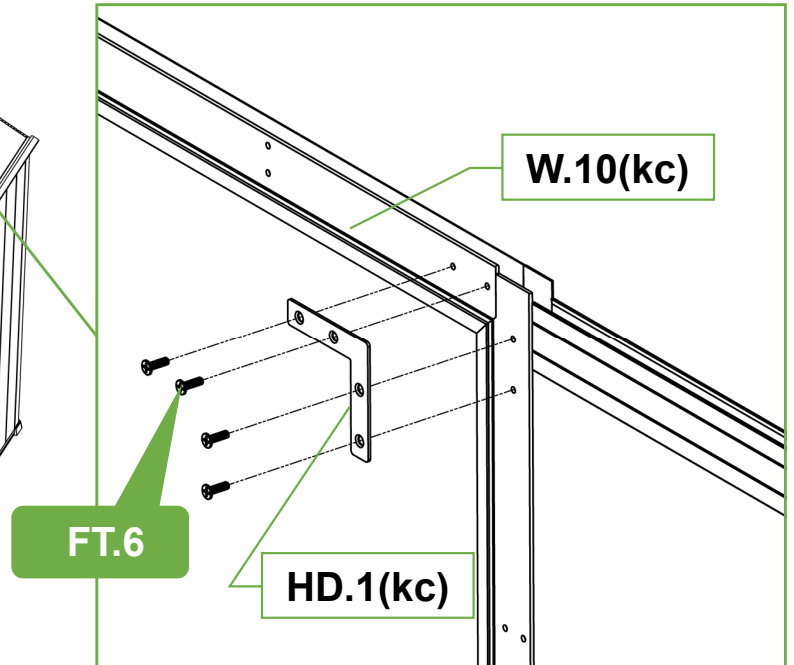
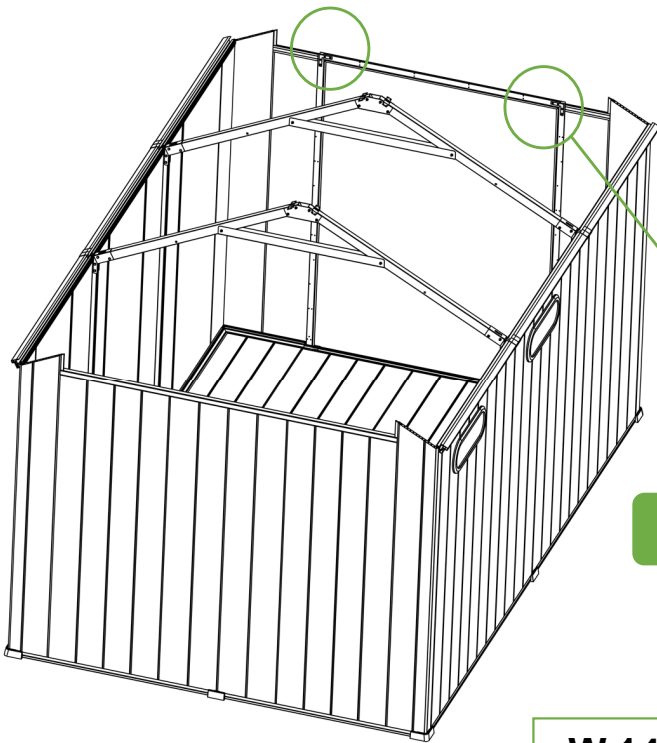
W.14(kc)
2pcs



W.13(kc)
1pcs



W.16(kc)
1pcs



ASSEMBLY INSTRUCTIONS

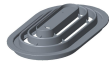
23



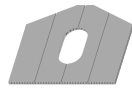
FT.2
12pcs



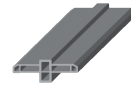
VNR2. IN
2pcs



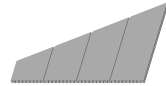
VNR2. OUT
2pcs



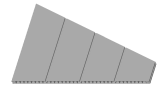
W.15(kc)
2pcs



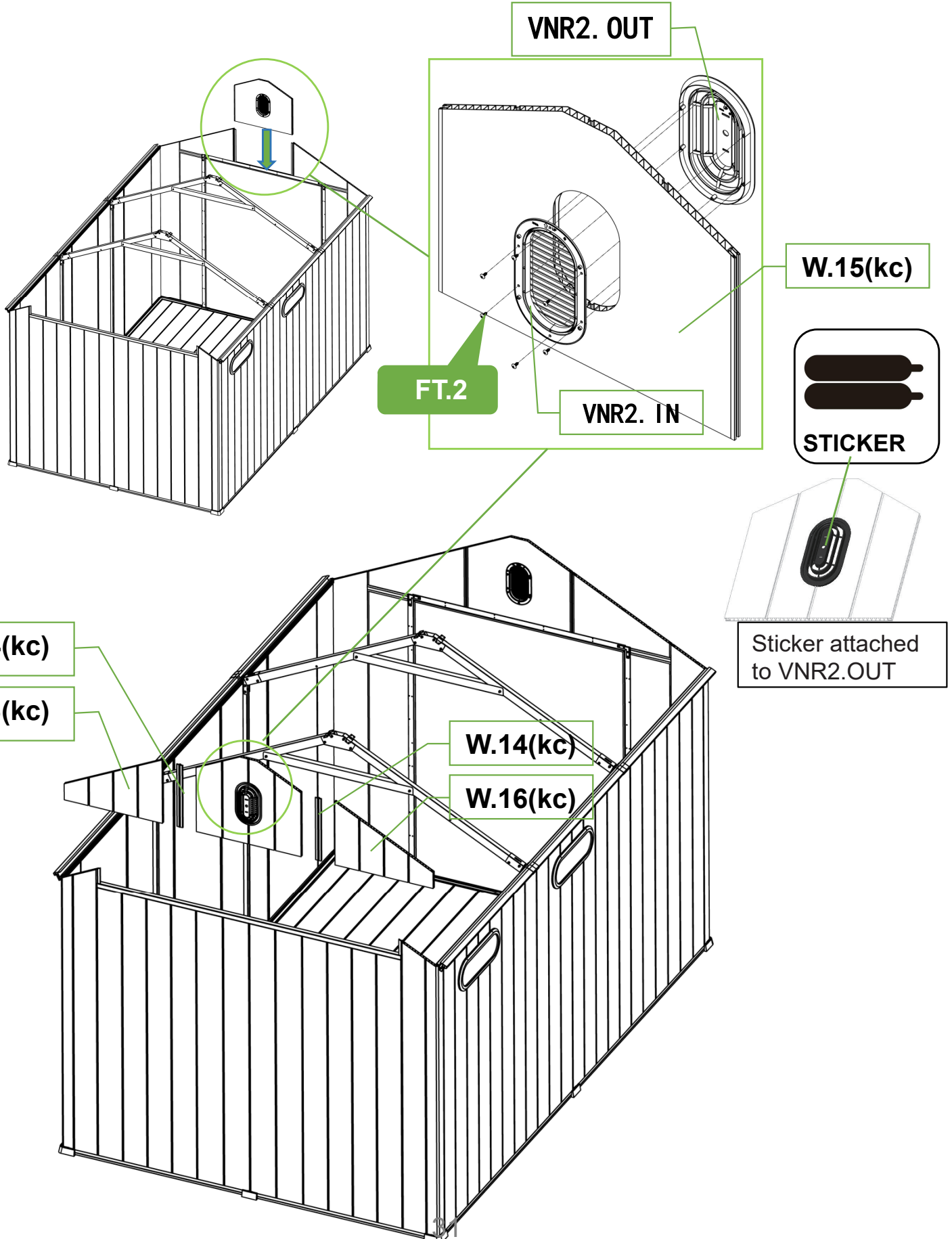
W.14(kc)
2pcs



W.13(kc)
1pcs



W.16(kc)
1pcs



W.15(kc)

FT.2

VNR2. IN

STICKER

Sticker attached to VNR2.OUT

W.14(kc)

W.13(kc)

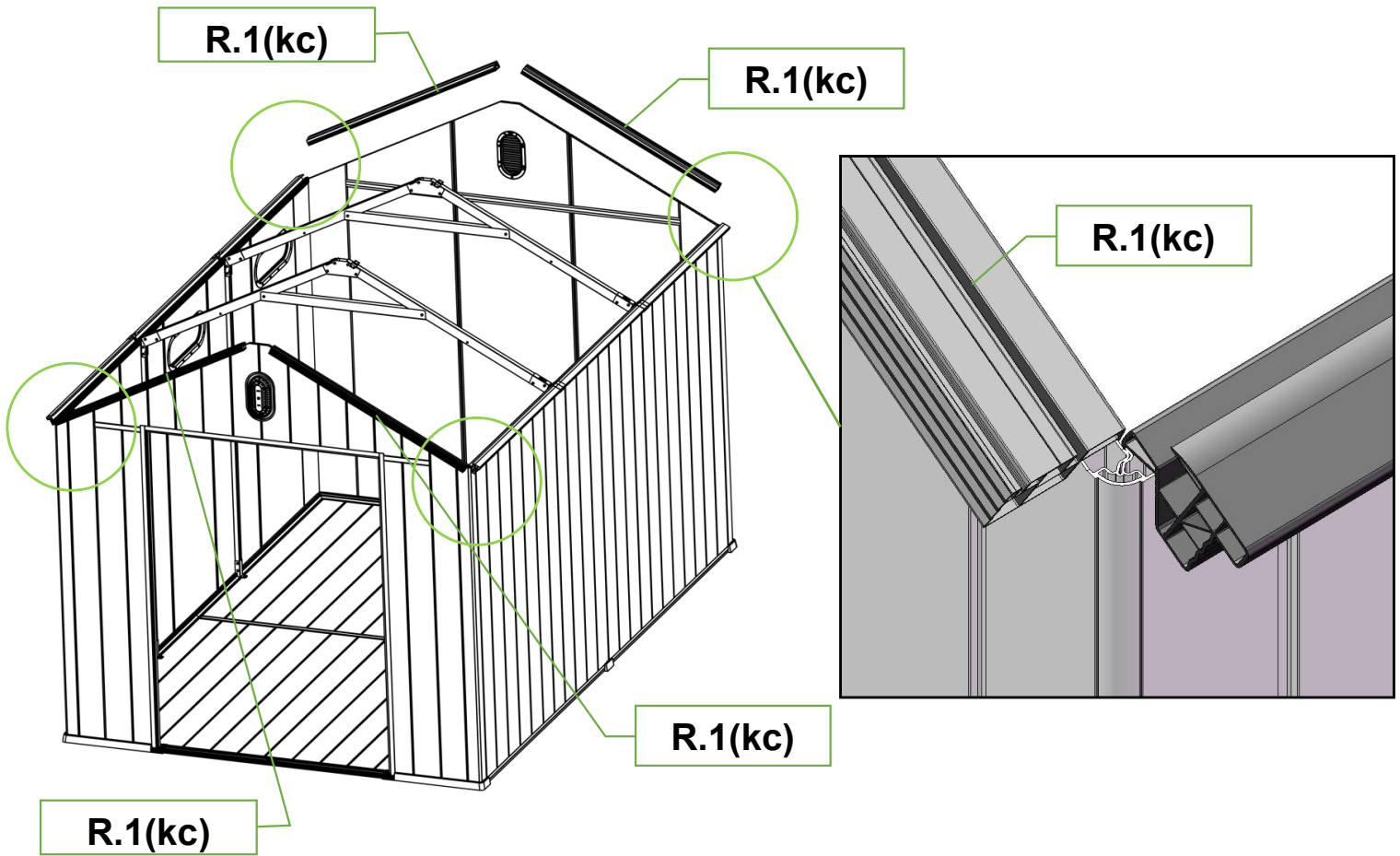
W.14(kc)

W.16(kc)

24



R.1(kc)
4pcs



ASSEMBLY INSTRUCTIONS

25



FT.2
14pcs



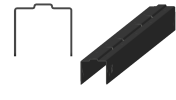
FT.8
2pcs



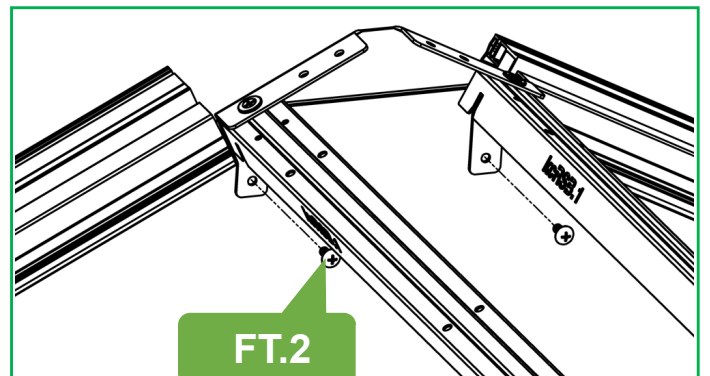
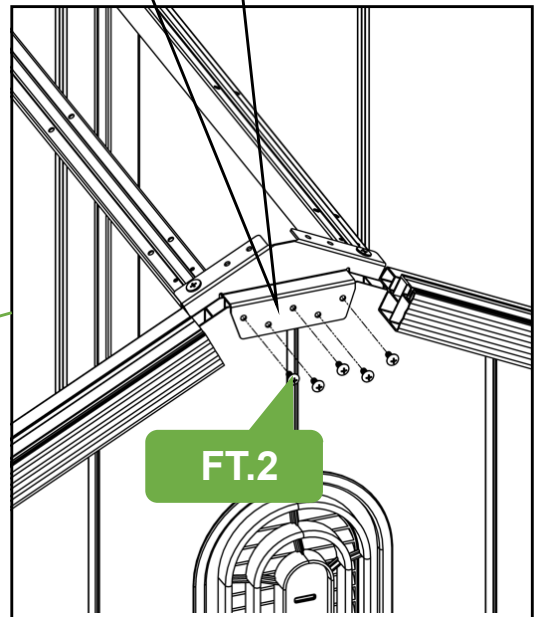
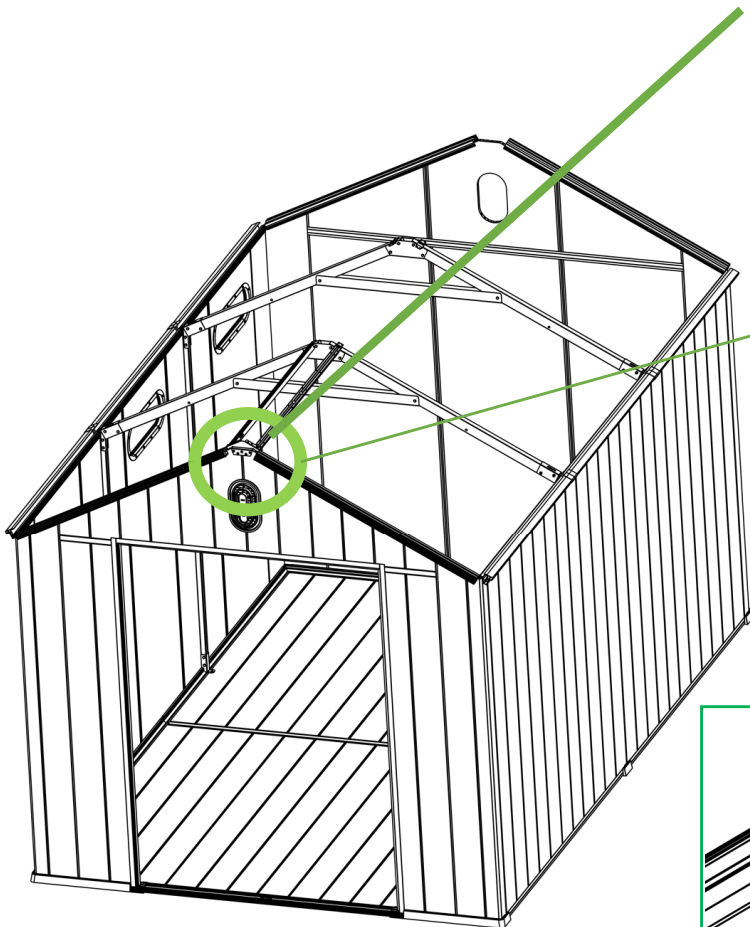
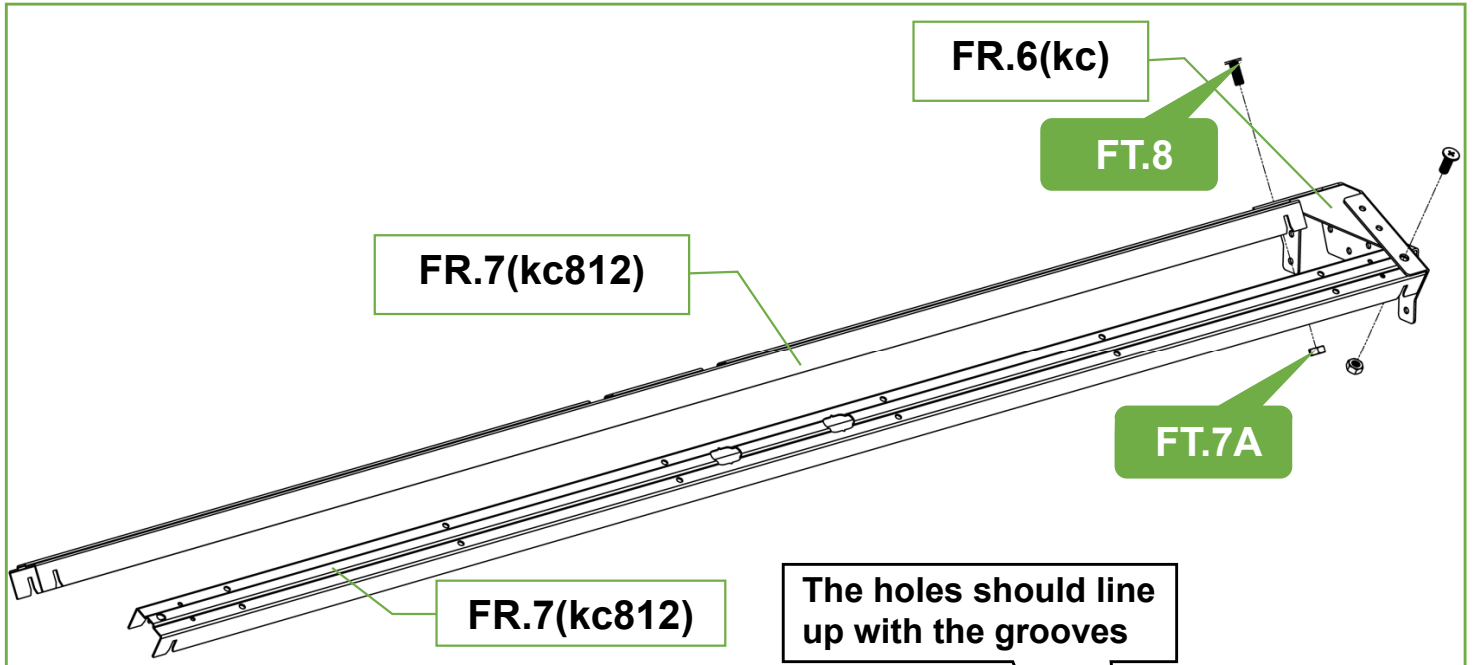
FT.7A
2pcs



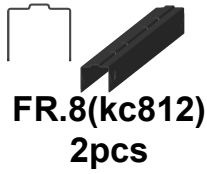
FR.6(kc)
1pcs



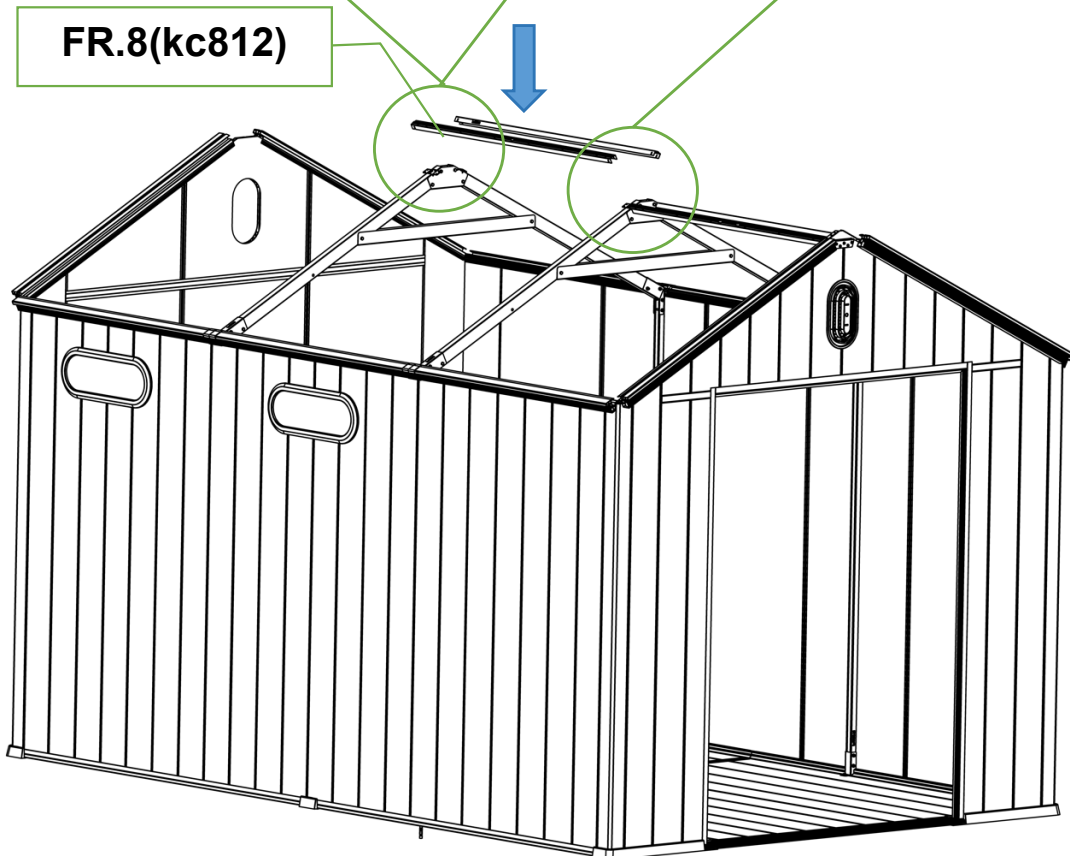
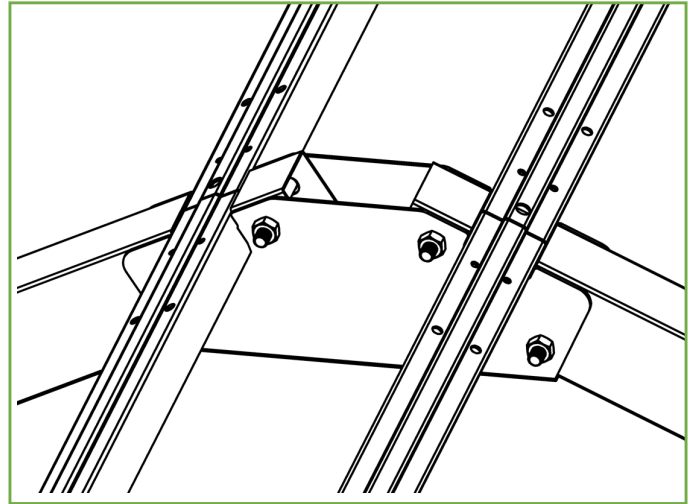
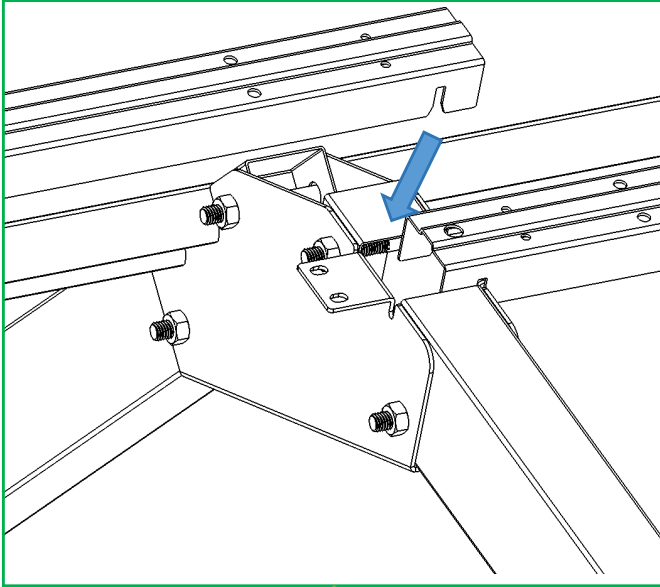
FR.7(kc812)
2pcs



26



FR.8(kc812)
2pcs



ASSEMBLY INSTRUCTIONS

27



FT.2
18pcs



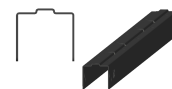
FT.8
2pcs



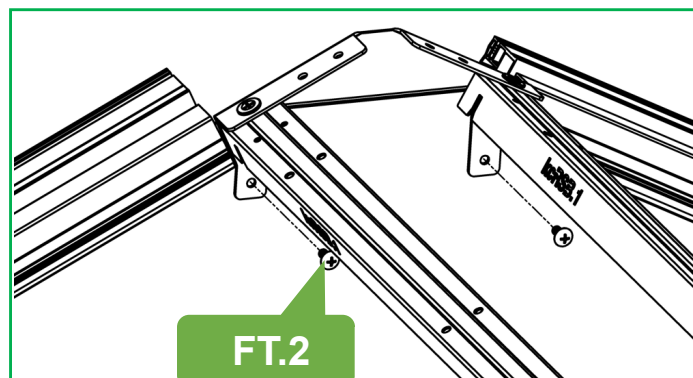
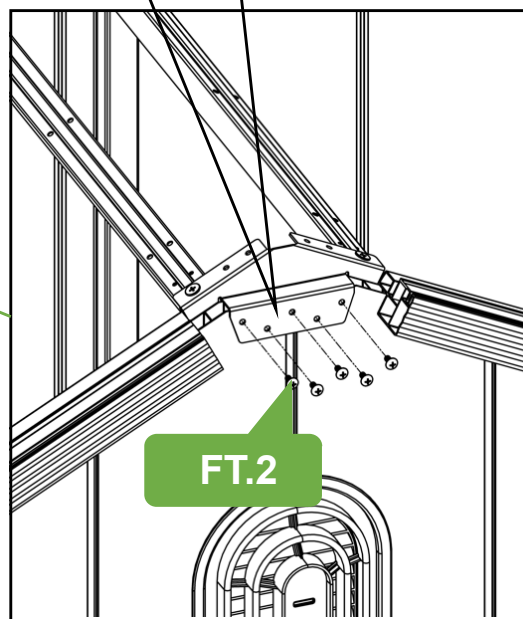
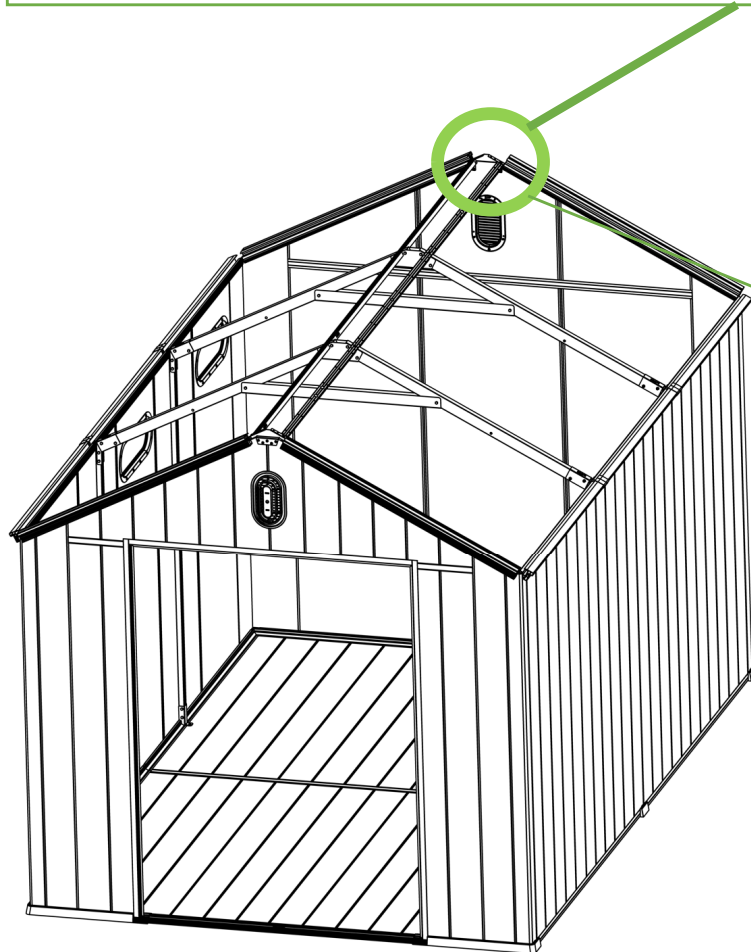
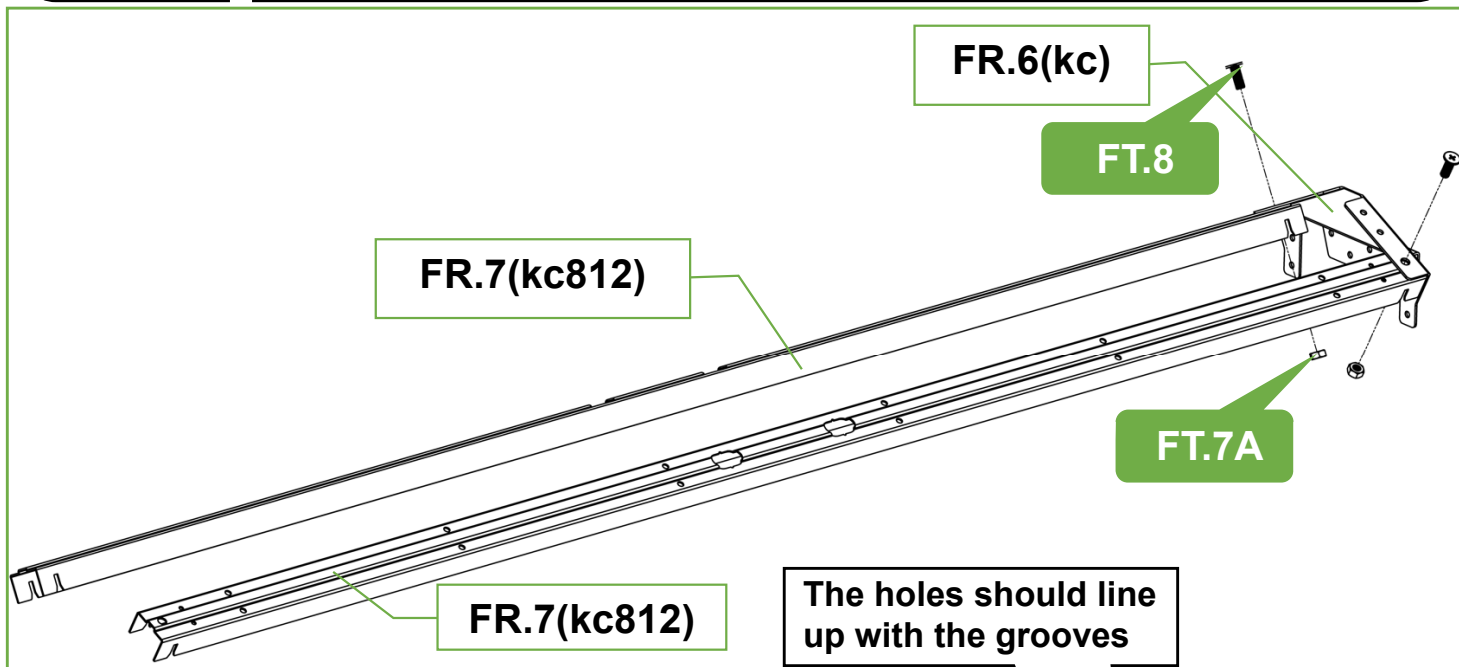
FT.7A
2pcs



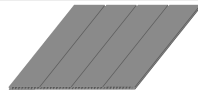
FR.6(kc)
1pcs



FR.7(kc812)
2pcs



28



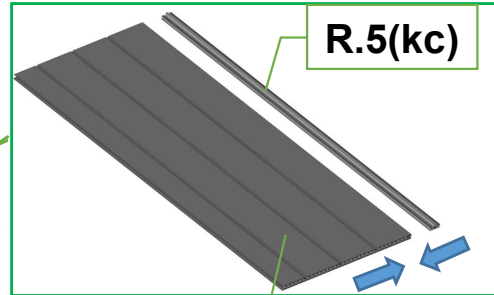
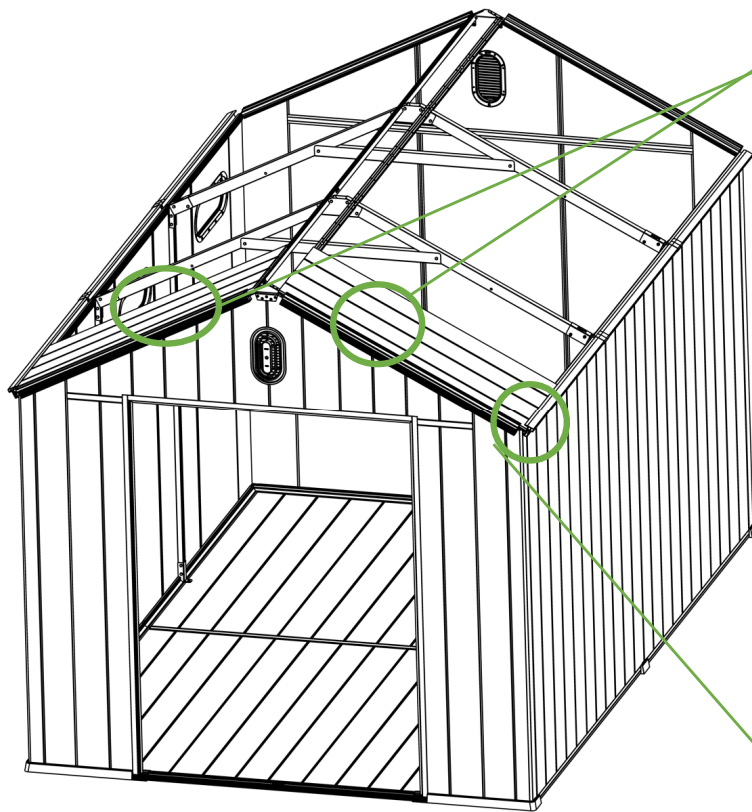
R.4(kc)
2pcs



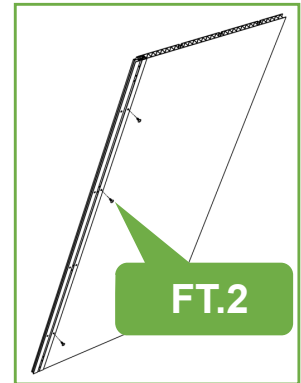
FT.2
6pcs



R.5(kc)
2pcs

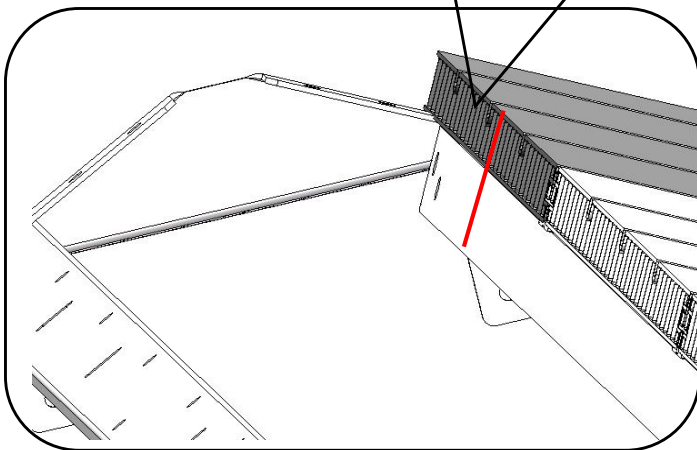


R.4(kc)



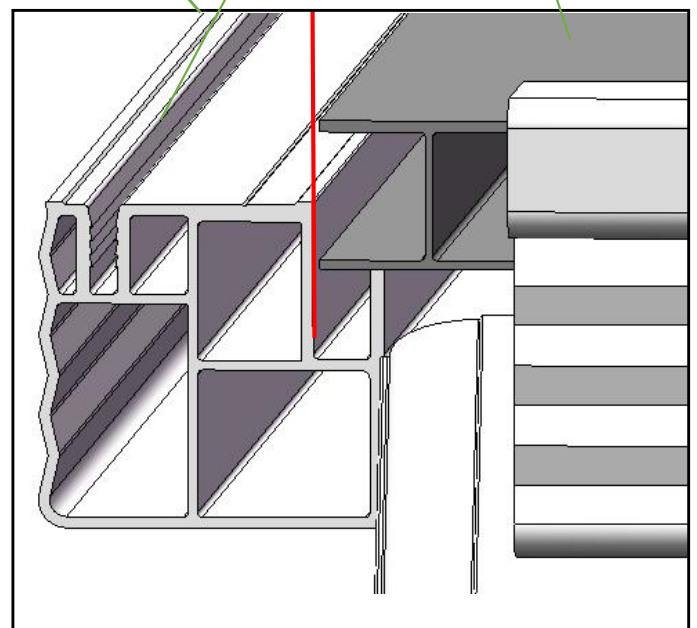
FT.2

Align the roof panels with the top beam

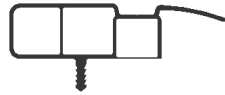


R.1(kc)

R.4(kc)



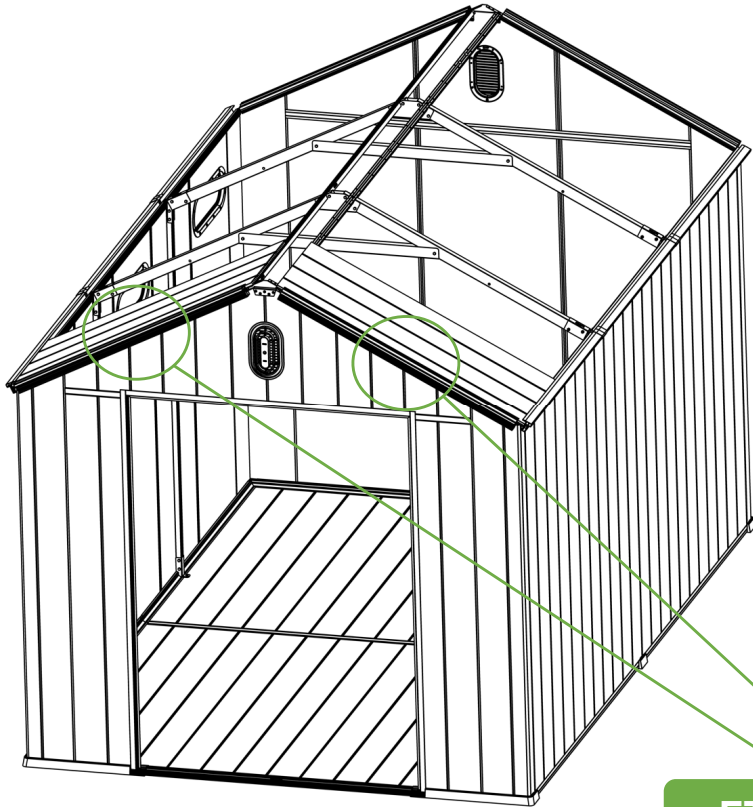
29



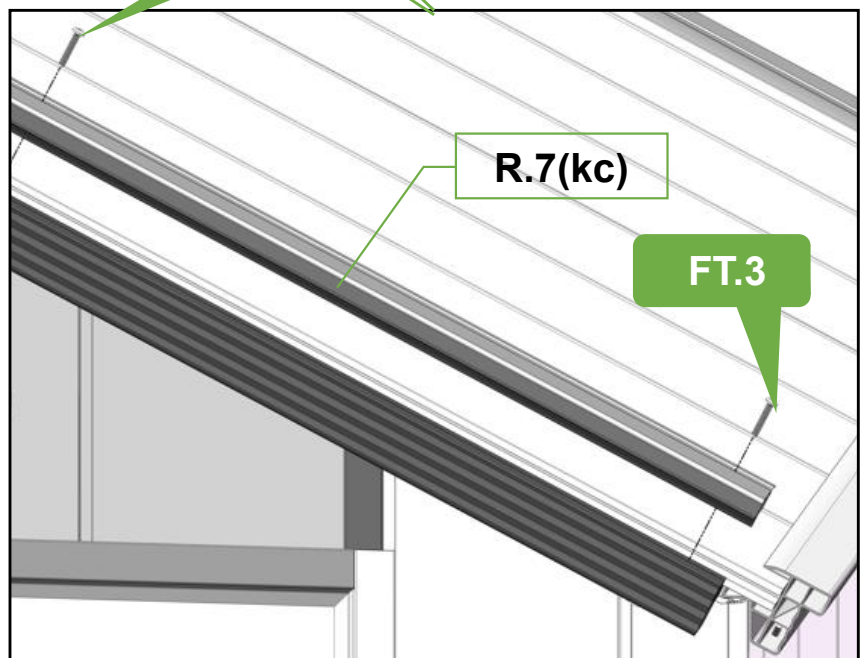
R.7(kc)
2pcs



FT.3
4pcs



FT.3



R.7(kc)

FT.3

ASSEMBLY INSTRUCTIONS

30



HD.3(kc)
2pcs



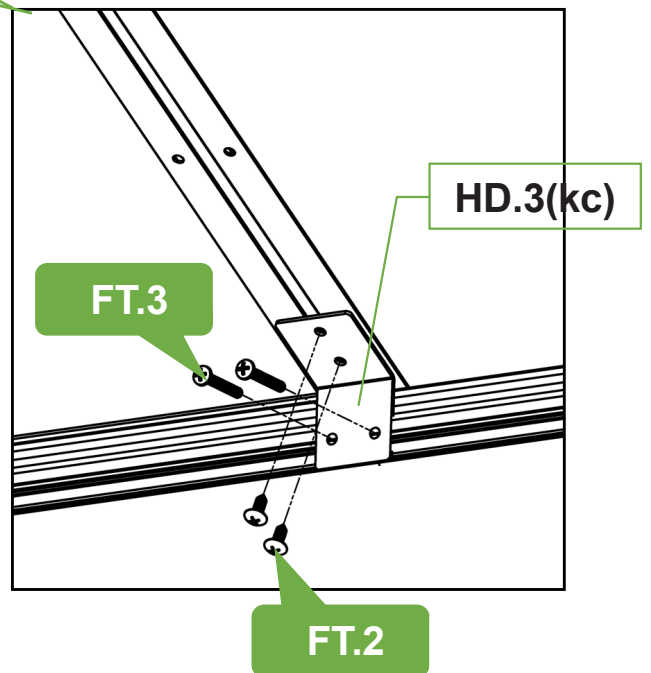
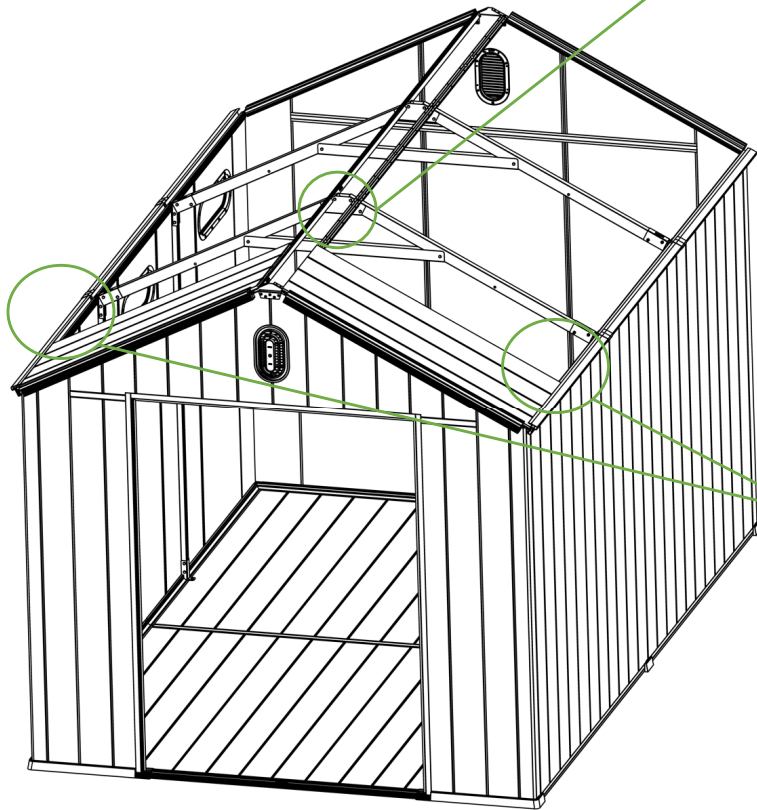
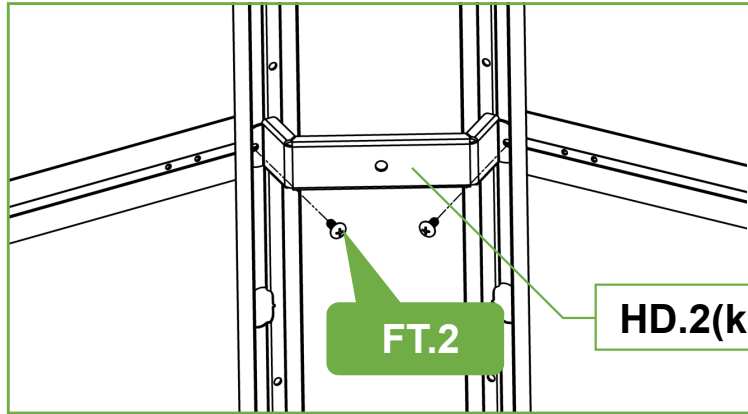
FT.3
4pcs



HD.2(kc)
1pcs

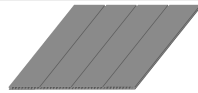


FT.2
6pcs

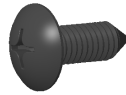


ASSEMBLY INSTRUCTIONS

31



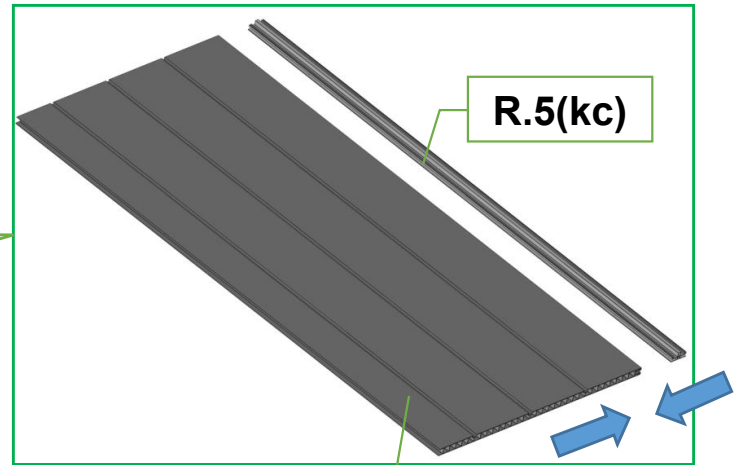
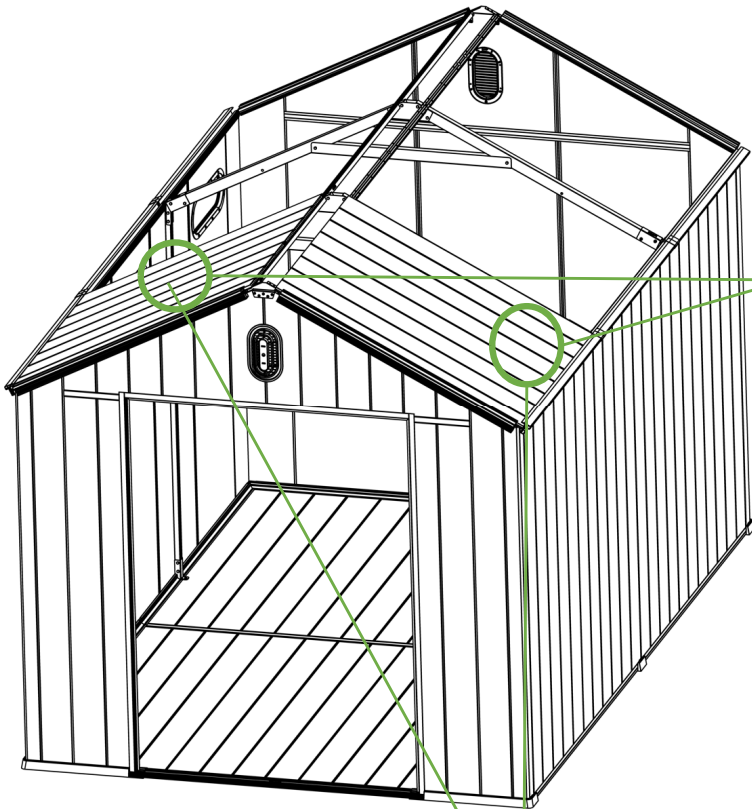
R.6(kc)
2pcs



FT.2
6pcs



R.5(kc)
2pcs

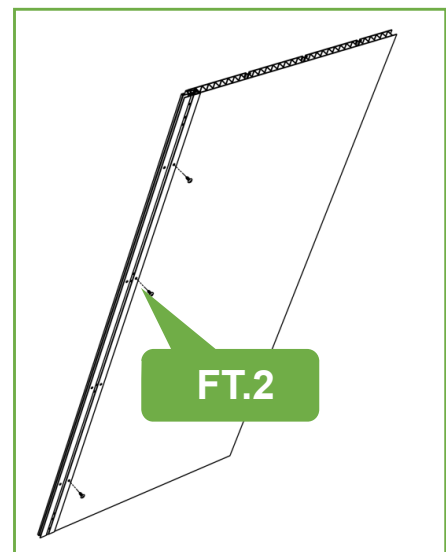
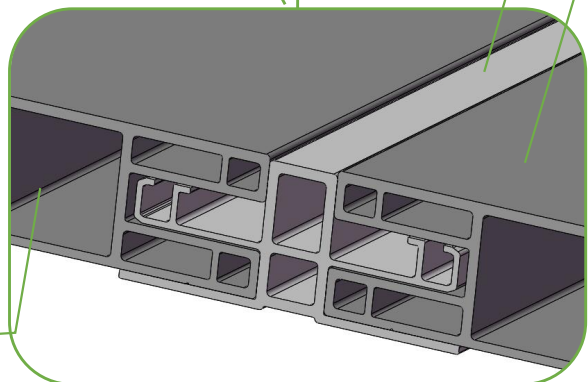


R.6(kc)

R.5(kc)

R.6(kc)

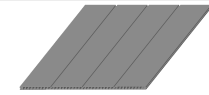
R.4(kc)



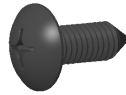
FT.2

ASSEMBLY INSTRUCTIONS

32



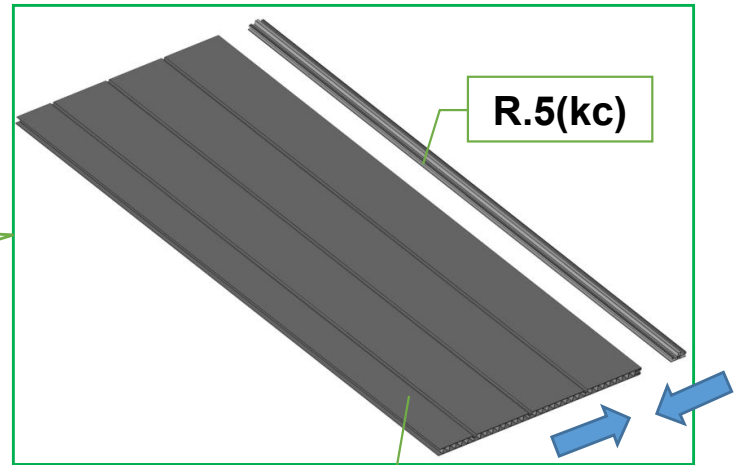
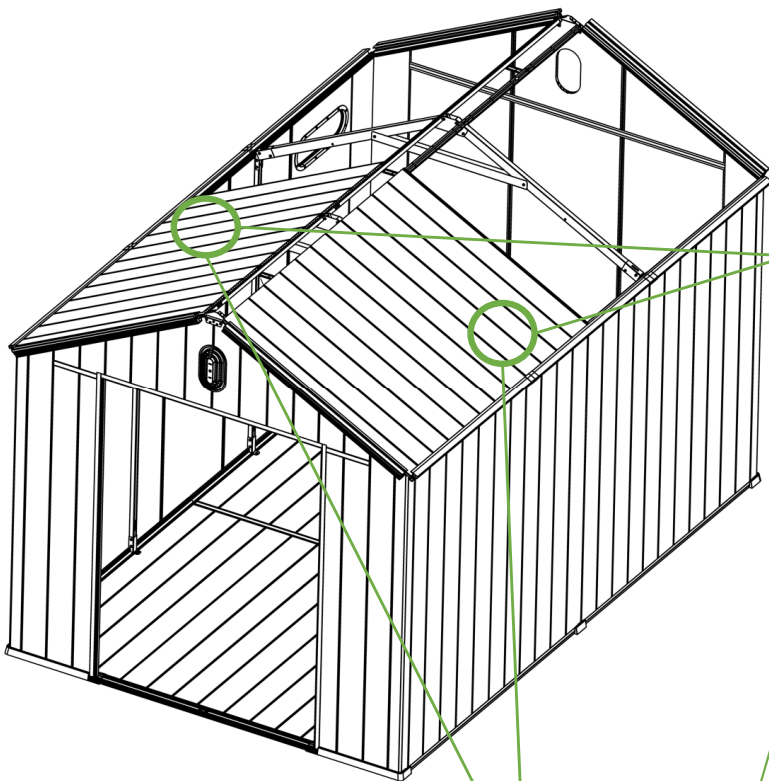
R.6(kc)
2pcs



FT.2
6pcs



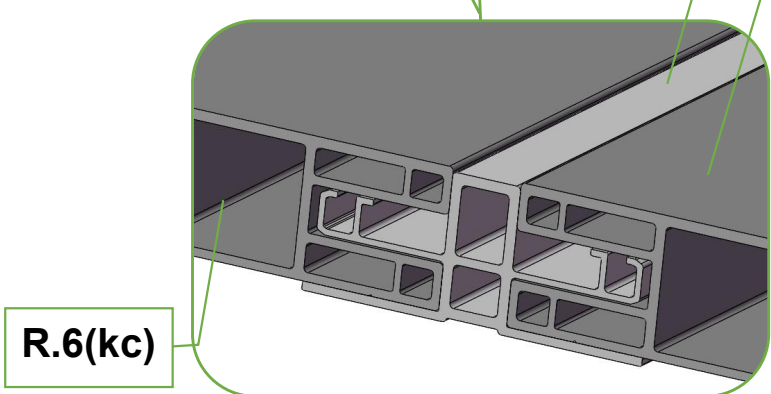
R.5(kc)
2pcs



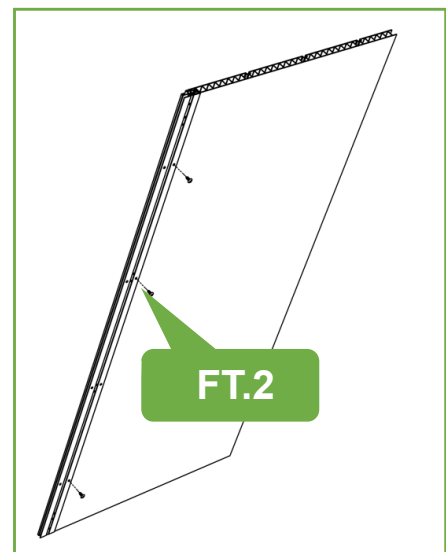
R.6(kc)

R.5(kc)

R.6(kc)



R.6(kc)



FT.2

ASSEMBLY INSTRUCTIONS

33



HD.3(kc)
2pcs



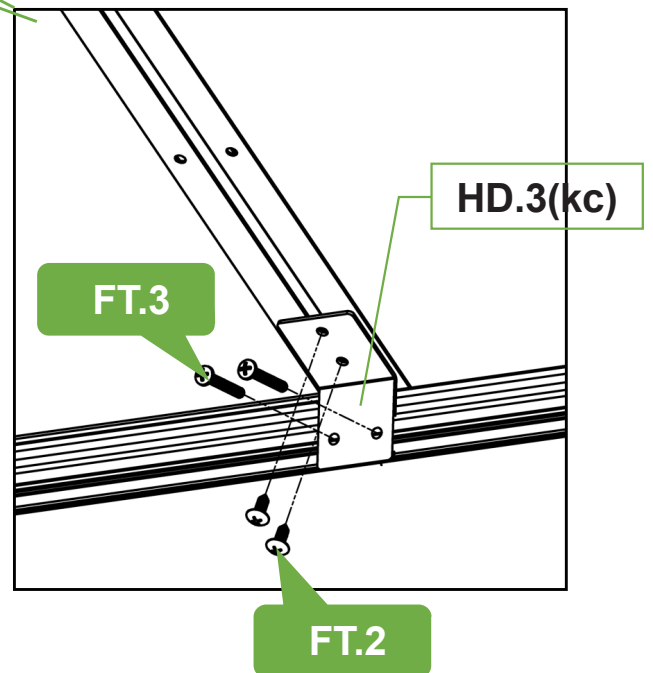
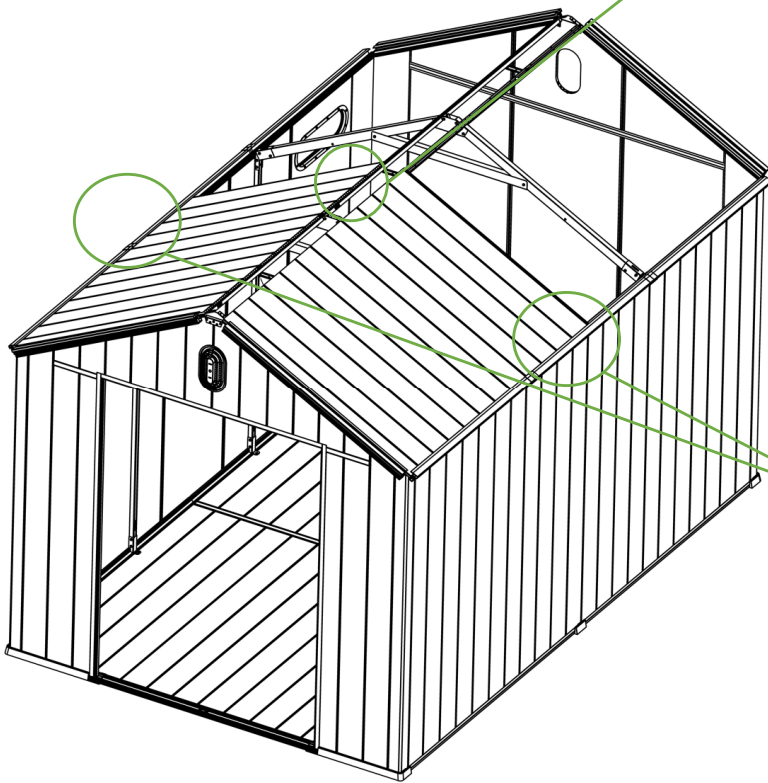
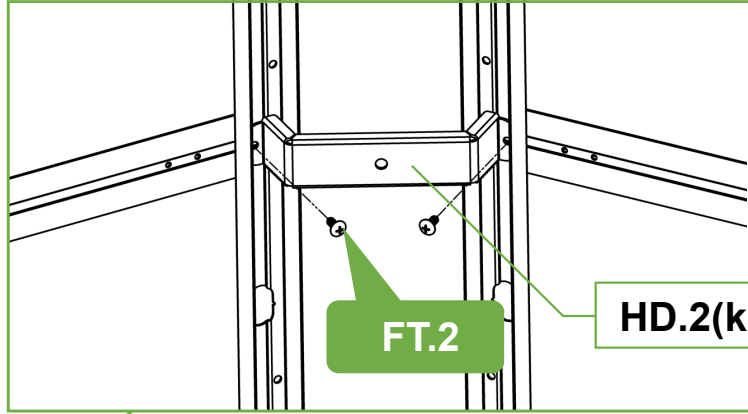
FT.3
4pcs



HD.2(kc)
1pcs

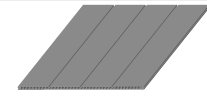


FT.2
6pcs

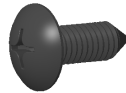


ASSEMBLY INSTRUCTIONS

34



R.6(kc)
4pcs

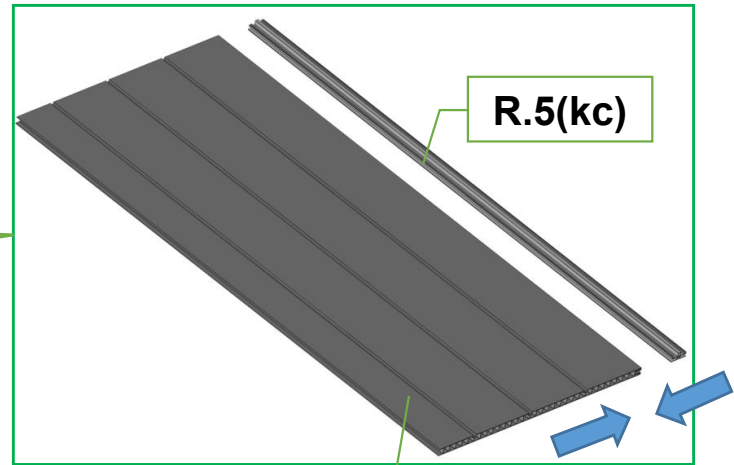
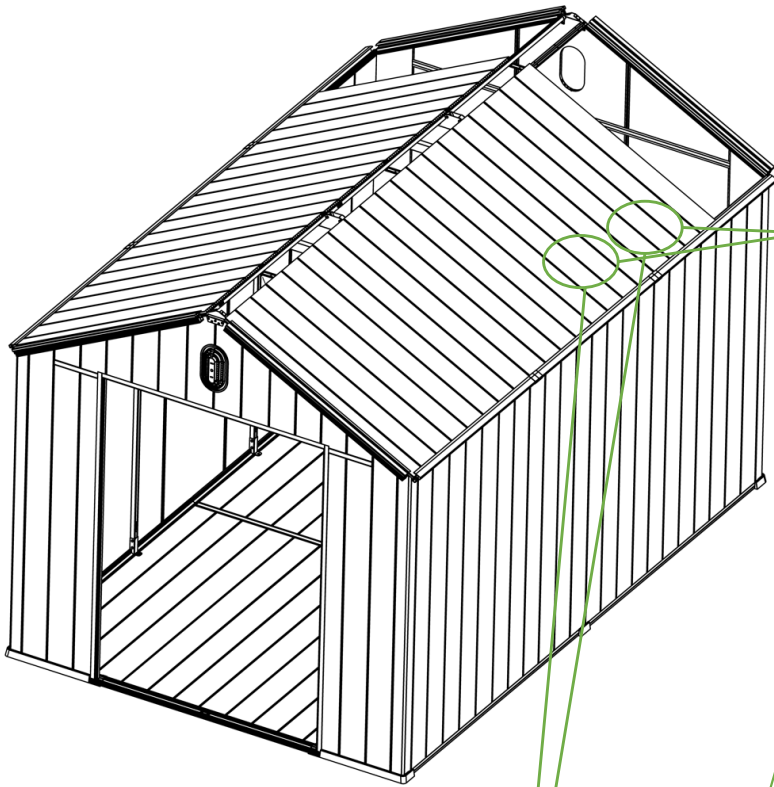


FT.2
6pcs



R.5(kc)
4pcs

Note: Opposite is the same way.

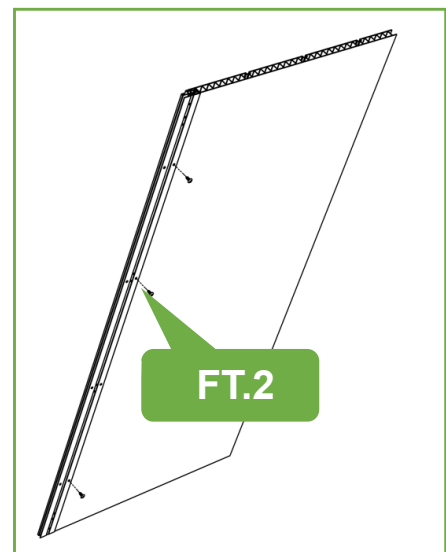
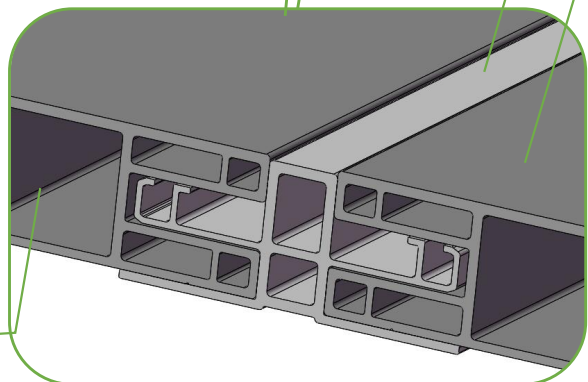


R.6(kc)

R.5(kc)

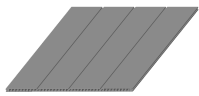
R.6(kc)

R.6(kc)

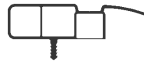


FT.2

35



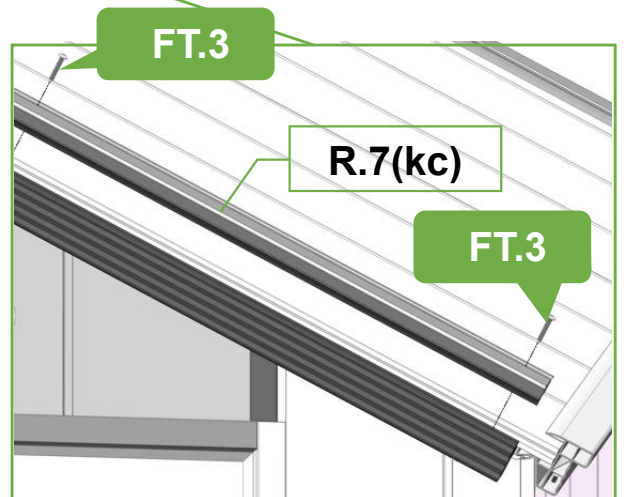
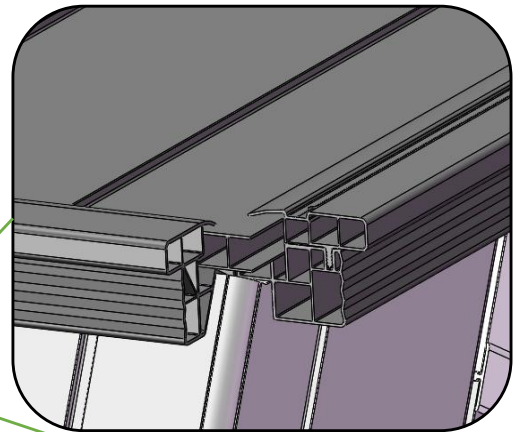
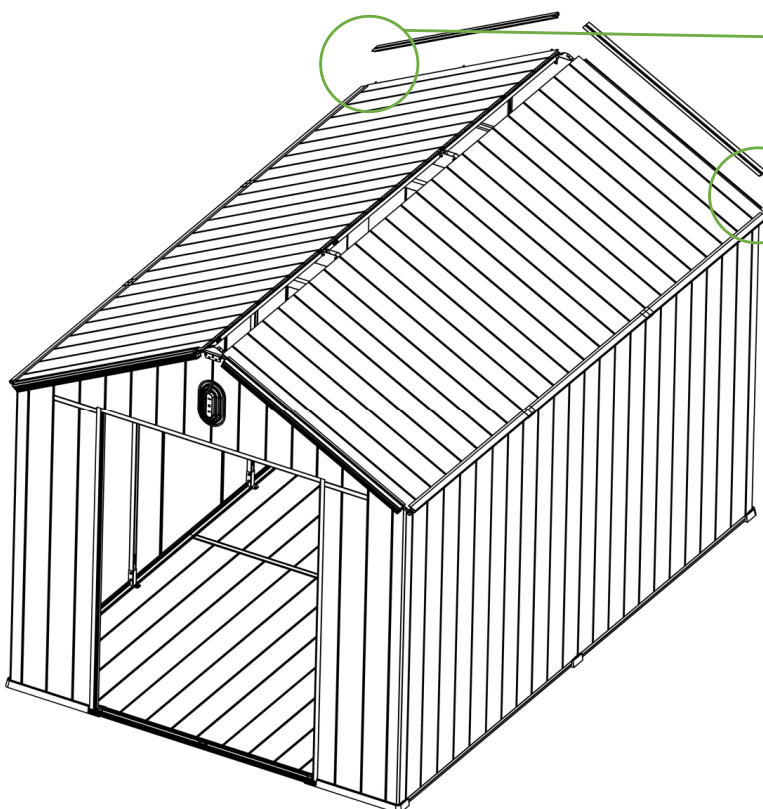
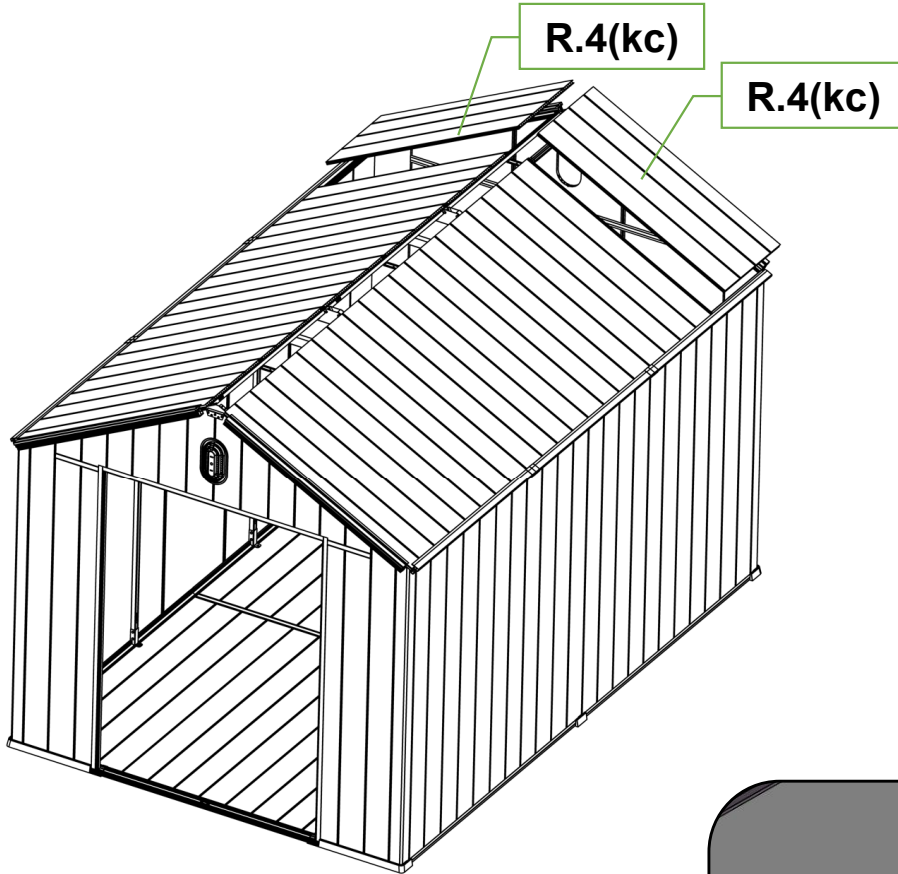
R.4(kc)
2pcs



R.7(kc)
2pcs



FT.3
4pcs



ASSEMBLY INSTRUCTIONS

36



HD.3(kc)
2pcs



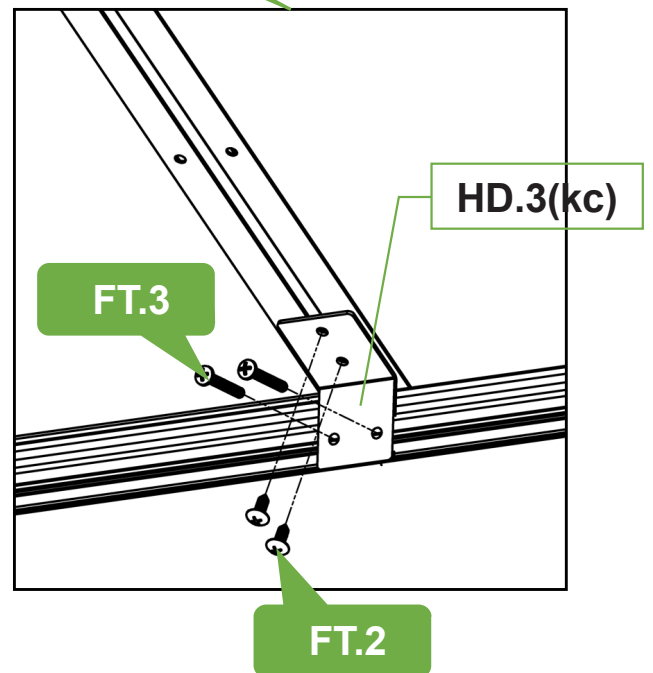
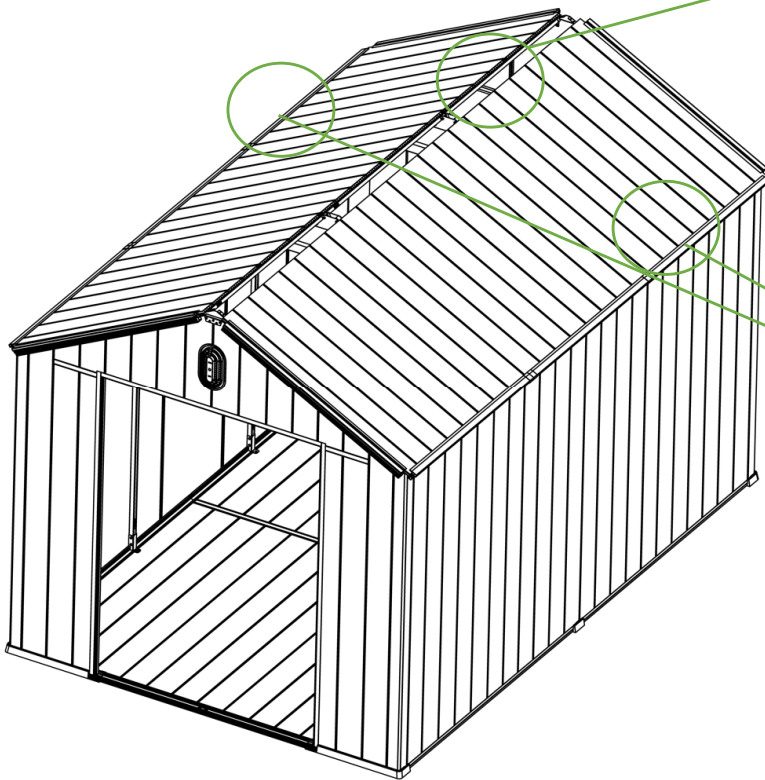
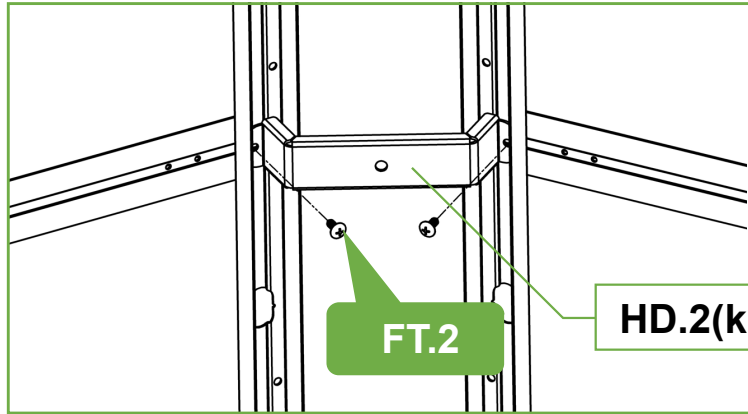
FT.3
4pcs



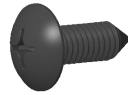
HD.2(kc)
1pcs



FT.2
6pcs

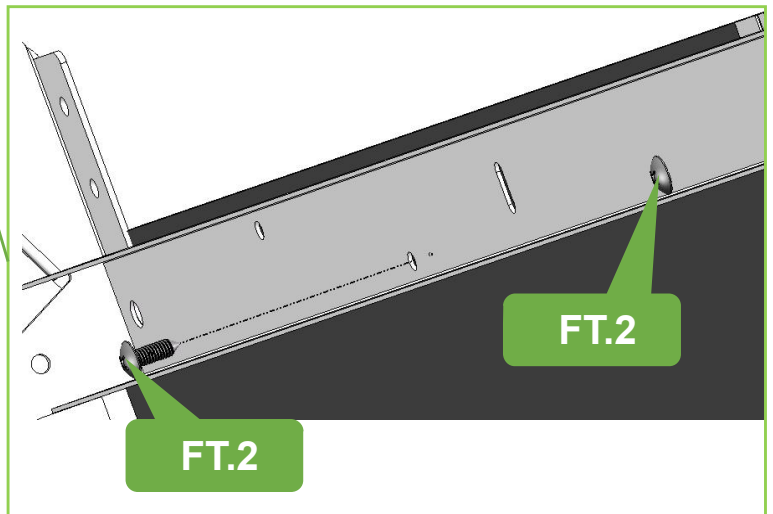
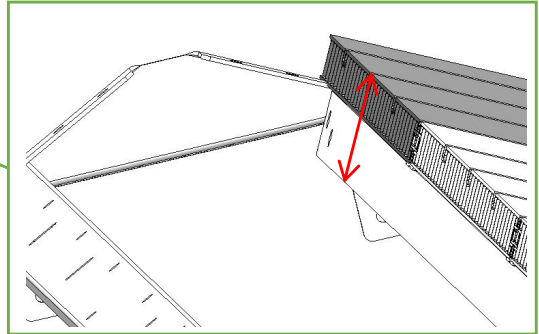
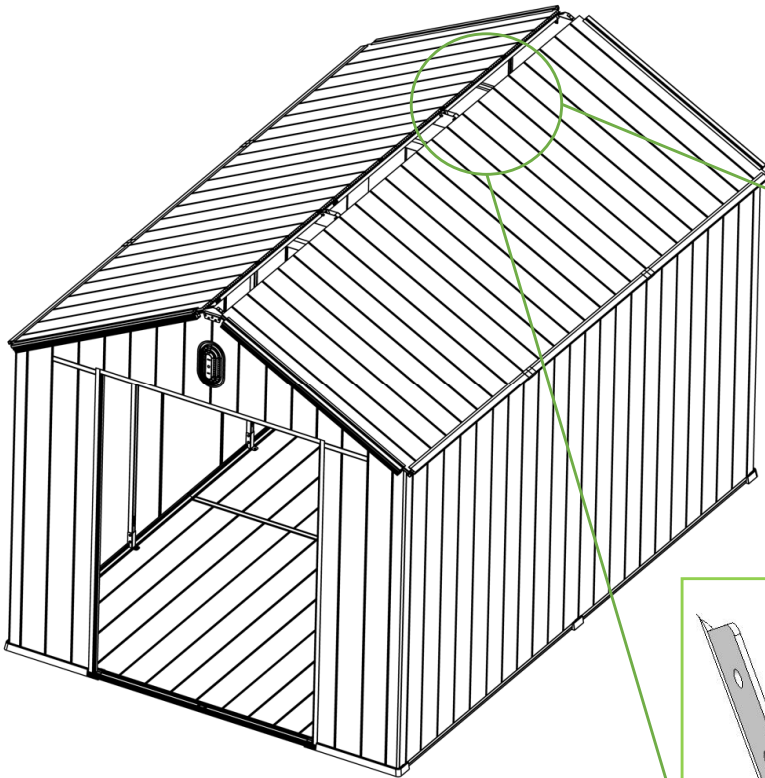


37



FT.2
18pcs

Note: Lock the screws after the roof sheet is flush with the U-shaped top.



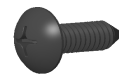
38



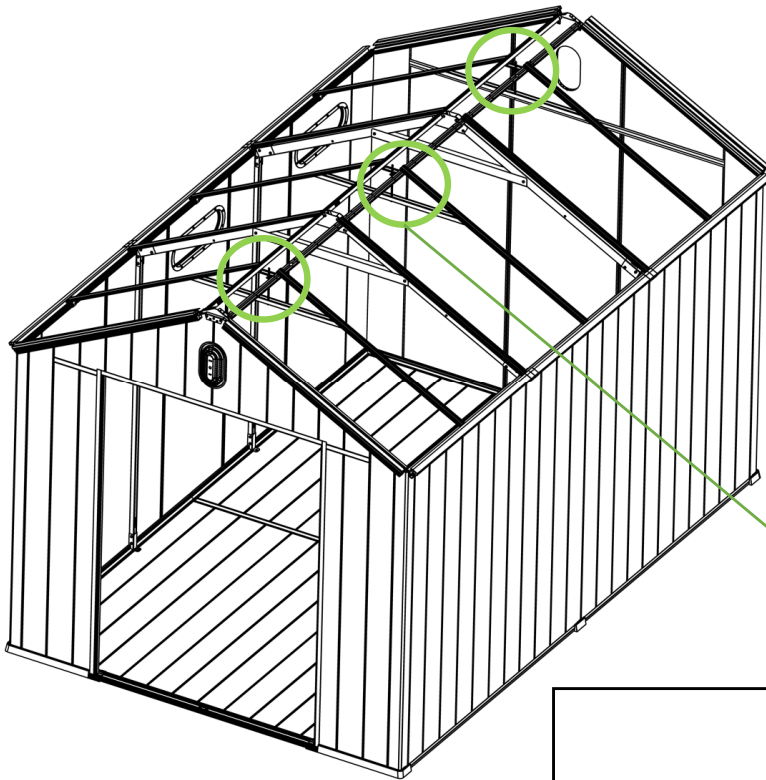
HD.4(kc)
3pcs



HD.5(kc)
3pcs



FT.2
12pcs



FT.9

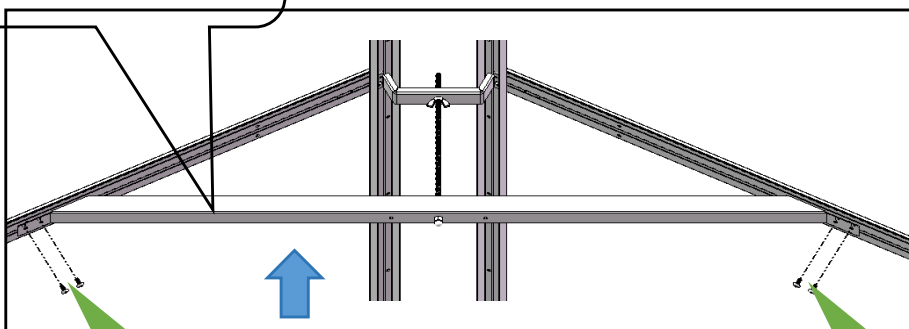
HD.5(kc)

FT.7A

HD.4(kc)

FT.10

The roof can be raised by turning the nut counterclockwise



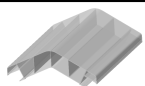
FT.2

FT.2

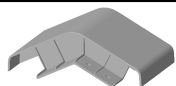
Note: lift the HD.4(kc) and then lock the screws. If the rod is too tight, turn the nut to the center.

ASSEMBLY INSTRUCTIONS

39



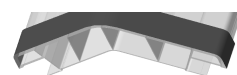
R.8(kc812)
2pcs



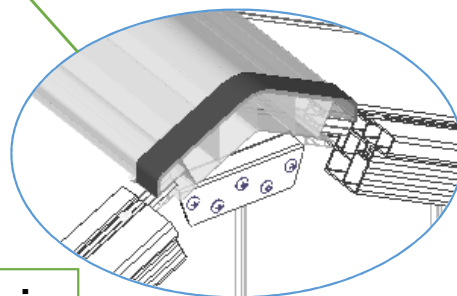
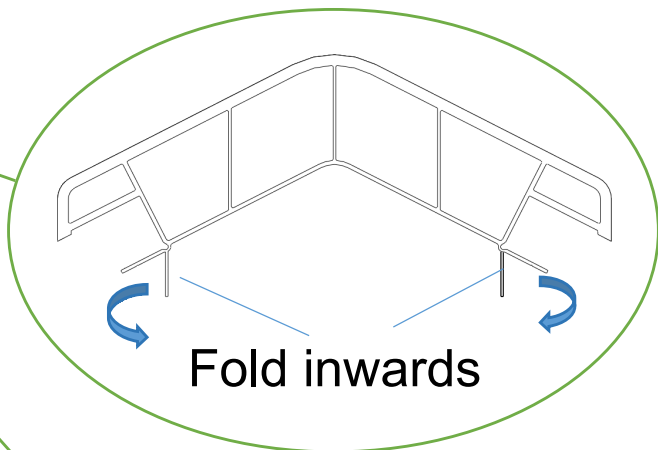
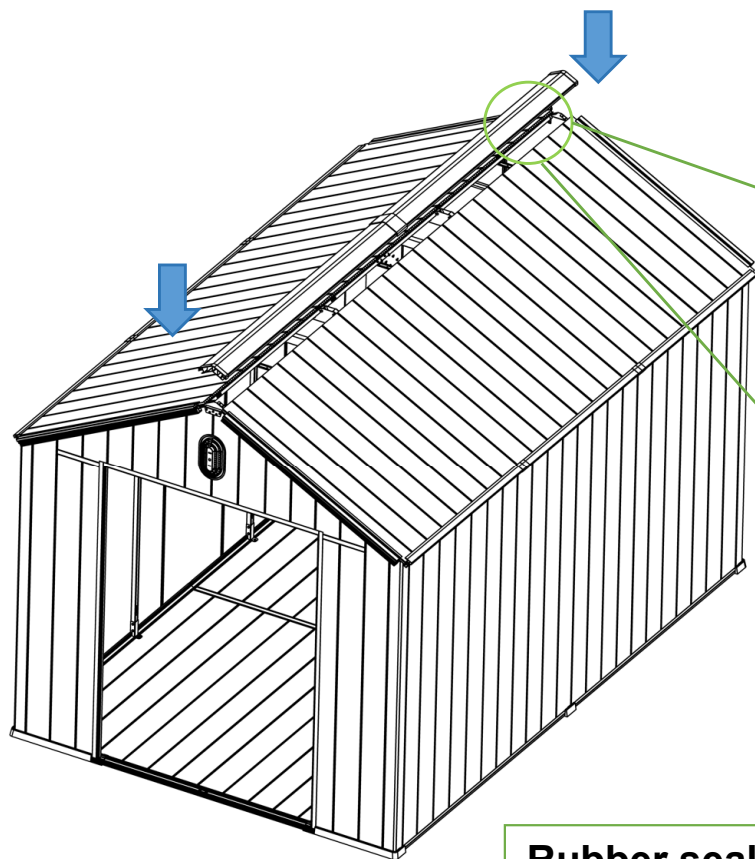
KCRRC
1pcs



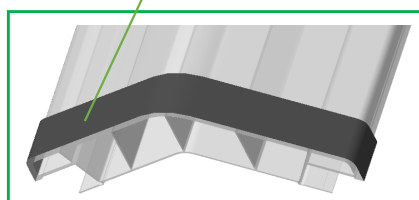
FT.2
8pcs



Rubber sealing strip
4pcs



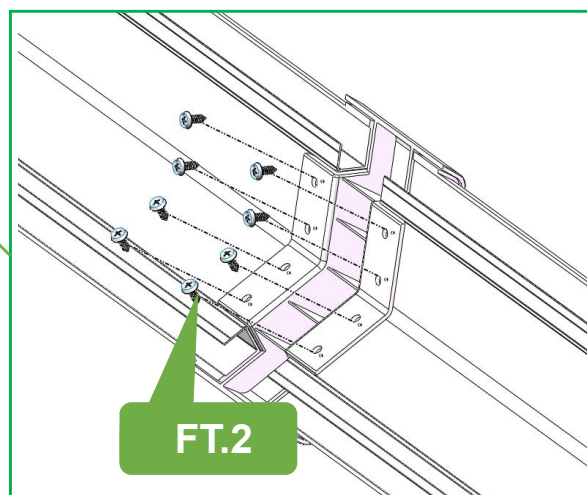
Rubber sealing strip (X4)



R.8(kc812)

R.8(kc812)

KCRRC



FT.2

40



KCRRH
2pcs



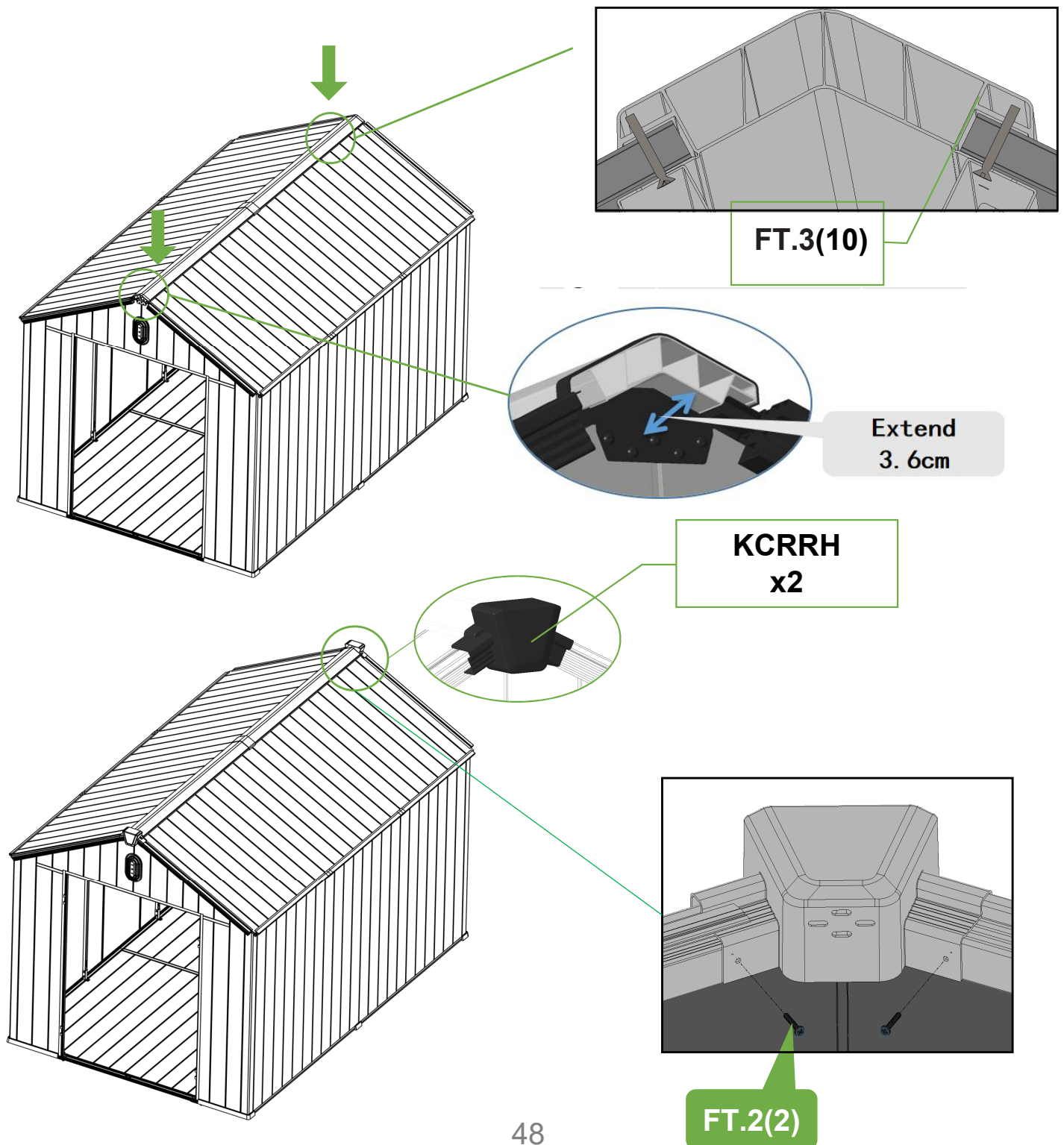
FT.3
10pcs



FT.2
12pcs

The steps and tips for screw locking on skylight ridge :

- 1.Go from the front side(door side) to the back side.
- 2.Pressing down the upside of the skylight ridge ,then lock the screws inside.
- 3.In the middle part,use the pliers to pull down the skylight ridge,then lock the screws.



41



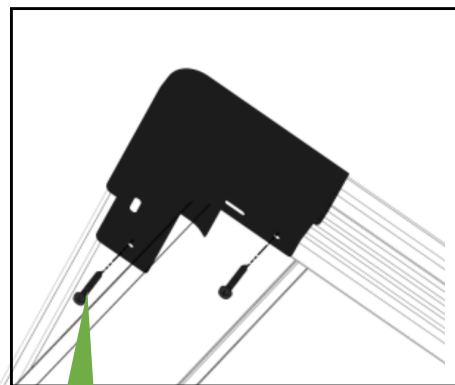
kcRBC.L
2pcs



kcRBC.R
2pcs

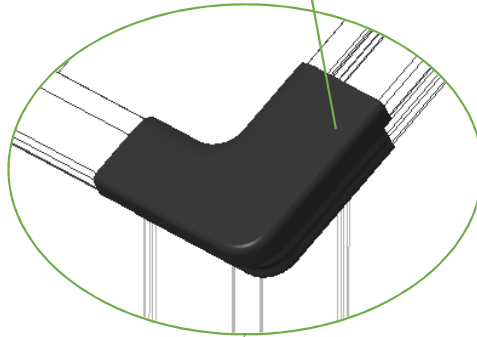


FT.2
8pcs

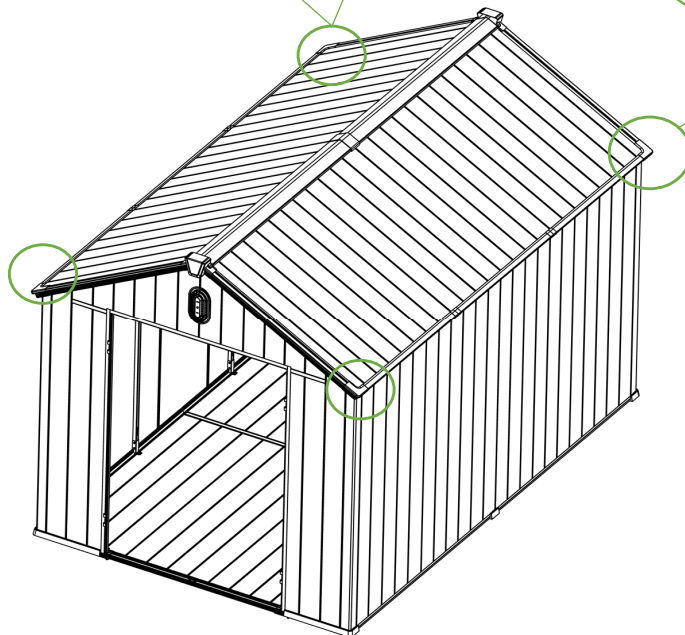
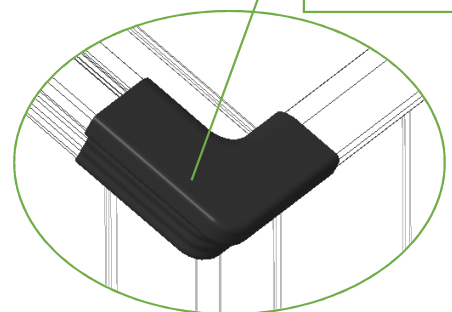


FT.2(8)

KCRBC.L



KCRBC.R



ASSEMBLY INSTRUCTIONS

42



FR.10(kc)
2pcs



FR.9(kc)
2pcs



FR.12(kc)
1pcs



FR.13(kc)
1pcs



FR.14(kc)
2pcs



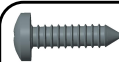
FT.7
8pcs



FT.7A
8pcs



FT.2
8pcs



FT.3
4pcs

FR.12(kc)

FT.7A

FT.7

FR.10(kc)

FT.3

FR.13(kc)

FT.7A

FR.10(kc)

FT.7

FR.10(kc)

X2

FT.2

FR.9(kc)

FR.9(kc)

X2








FT.7

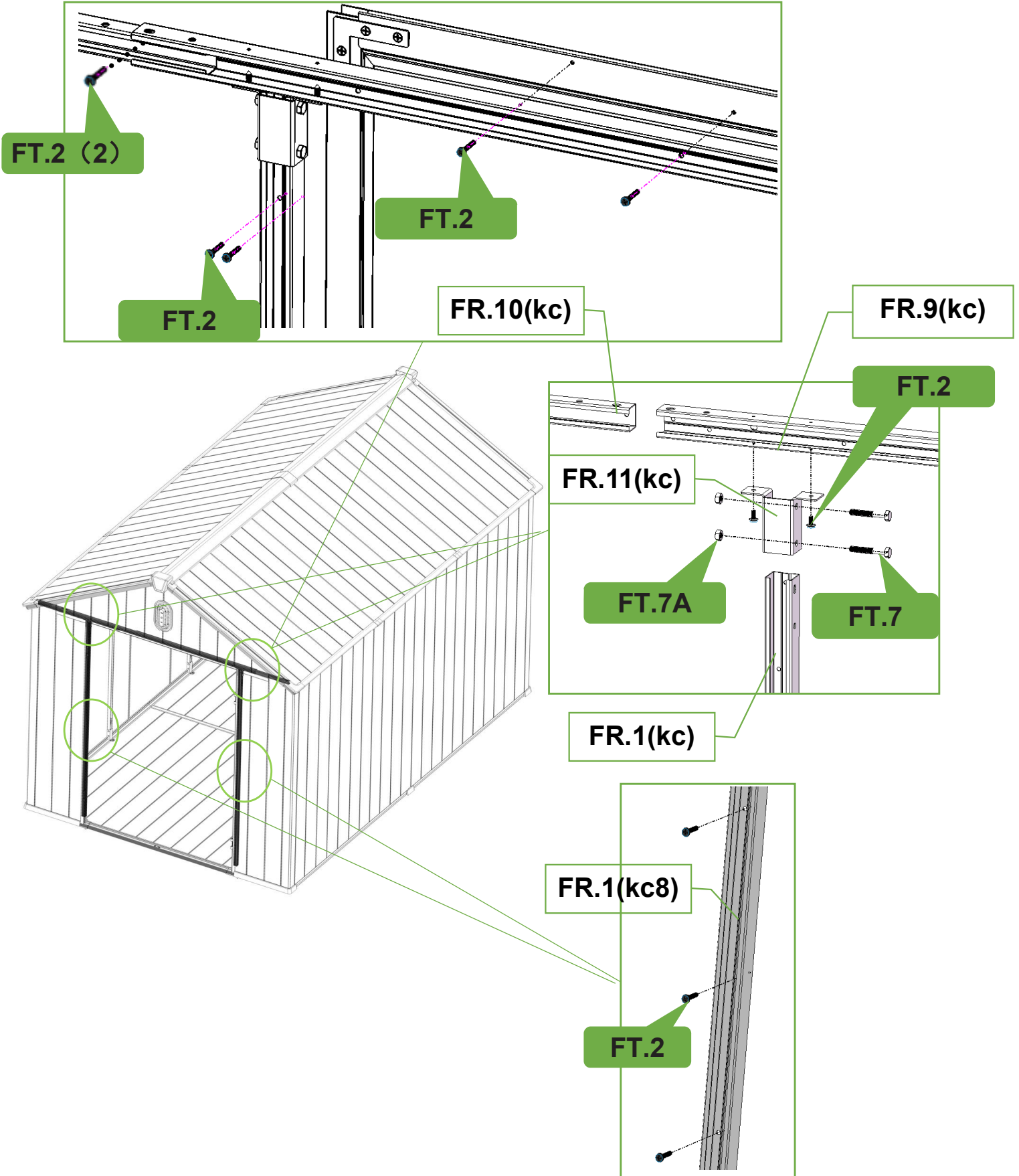
FT.7A

FR.14(kc)

ASSEMBLY INSTRUCTIONS

43

						
FR. 1 (kc8) 2pcs	FR. 10 (kc) 1pcs	FR. 9 (kc) 1pcs	FR. 11 (kc) 2pcs	FT. 2 30pcs	FT. 7 4pcs	FT. 7A 4pcs



ASSEMBLY INSTRUCTIONS

44



D.1(kc)
1pcs



D.2(kc)
1pcs



D.3(kc)
1pcs



D.4(kc)
2pcs



FT.5
12pcs



FT.6
14pcs



WIR2.OUT
1pcs

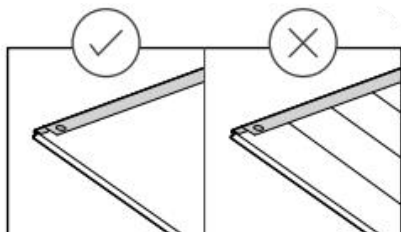


WIR2.IN
1pcs



WIR2.PC
1pcs

LEFT DOOR



D.4(kc)

D.2(kc)

D.1(kc)

D.3(kc)

【Door Inside】

D.4(kc)

FT.5
(12PCS)

WIR2.OUT

FT.4
(8PCS)

WIR2.OUT

WIR2.IN

WIR2.PC

D.1(kc)

45



HD.8(kc)
2pcs



DH.5
1pcs



DH
1pcs



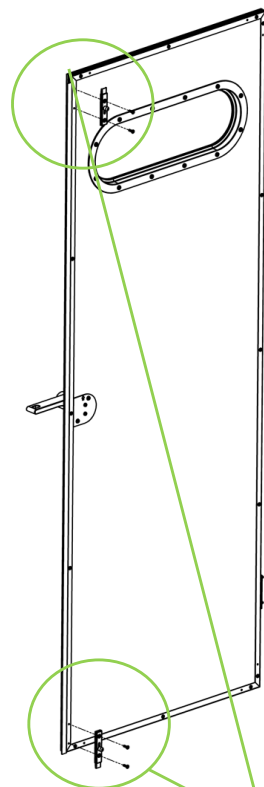
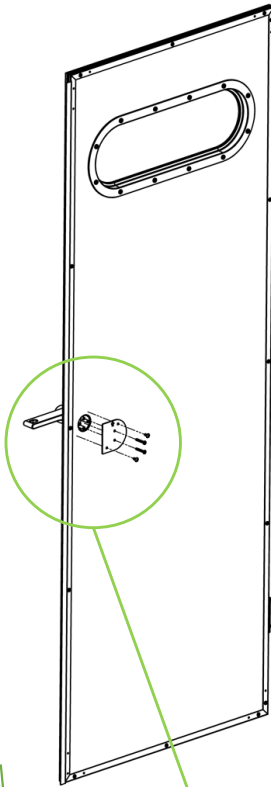
FT.2
2pcs



FT.3
4pcs



FT.6
4pcs



DH

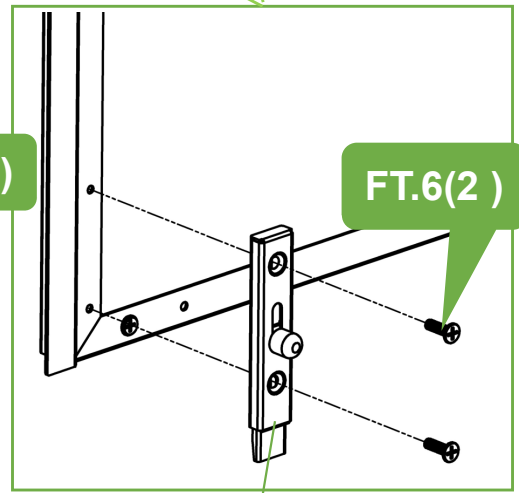
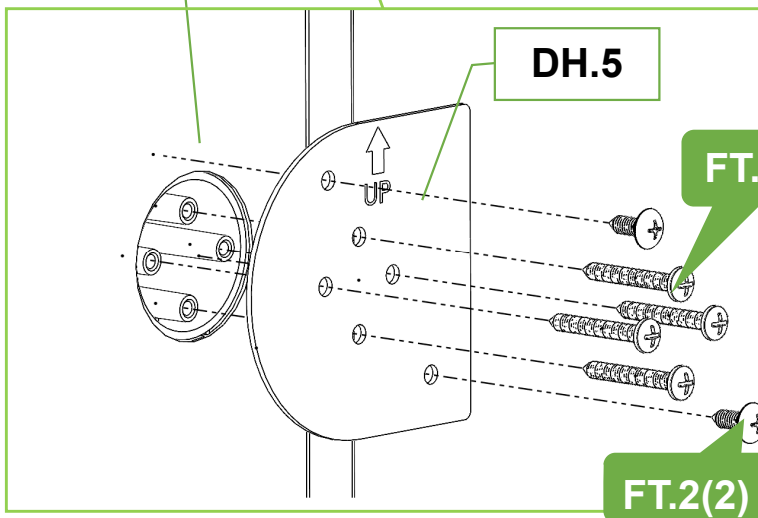
DH.5

FT.3(4)

FT.6(2)

FT.2(2)

HD.8(kc)



ASSEMBLY INSTRUCTIONS

46



HD.9(kc)
1pcs



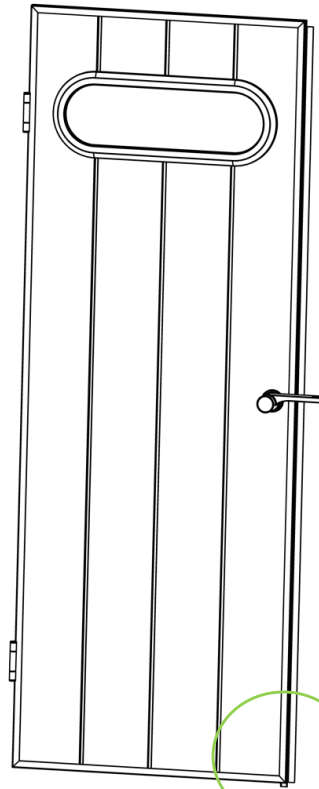
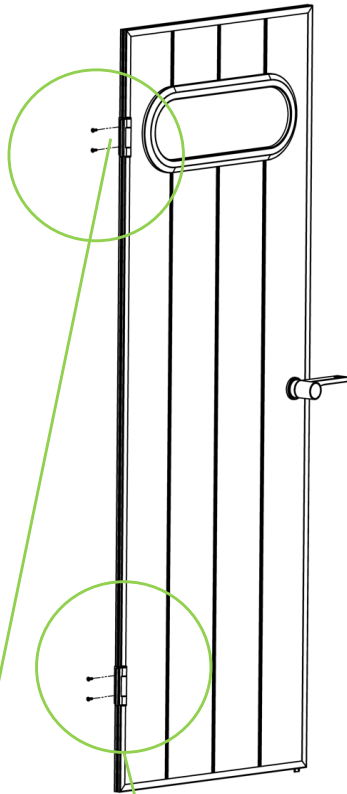
FT.11
2pcs



HD.7(kc)
2pcs

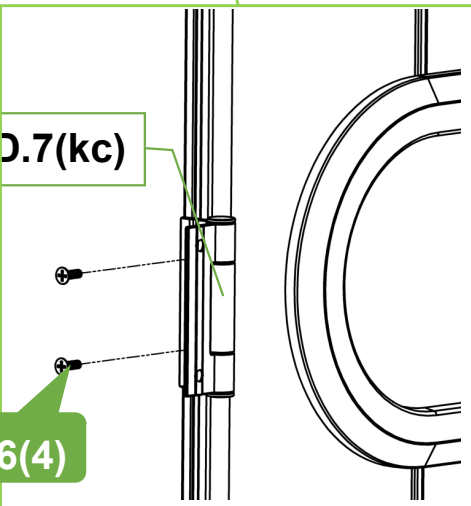


FT.6
4pcs

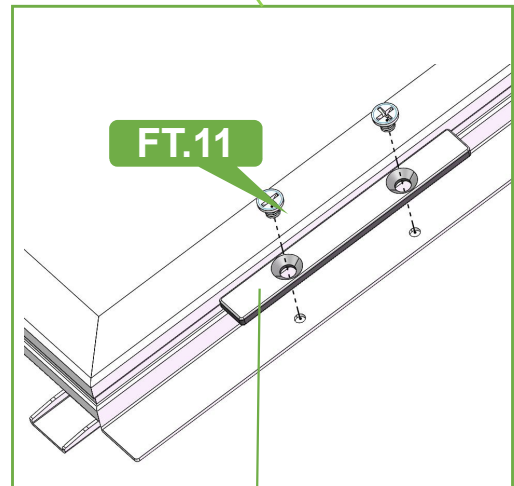


HD.7(kc)

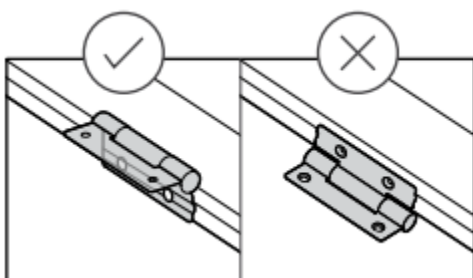
FT.6(4)



FT.11



HD.9(kc)



ASSEMBLY INSTRUCTIONS

47



D.5(kc)
1pcs



D.3(kc)
2pcs



D.4(kc)
2pcs



FT.5
12pcs



FT.6
14pcs



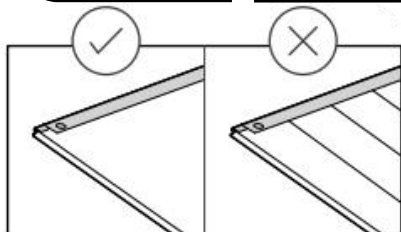
WIR2.OUT
1pcs



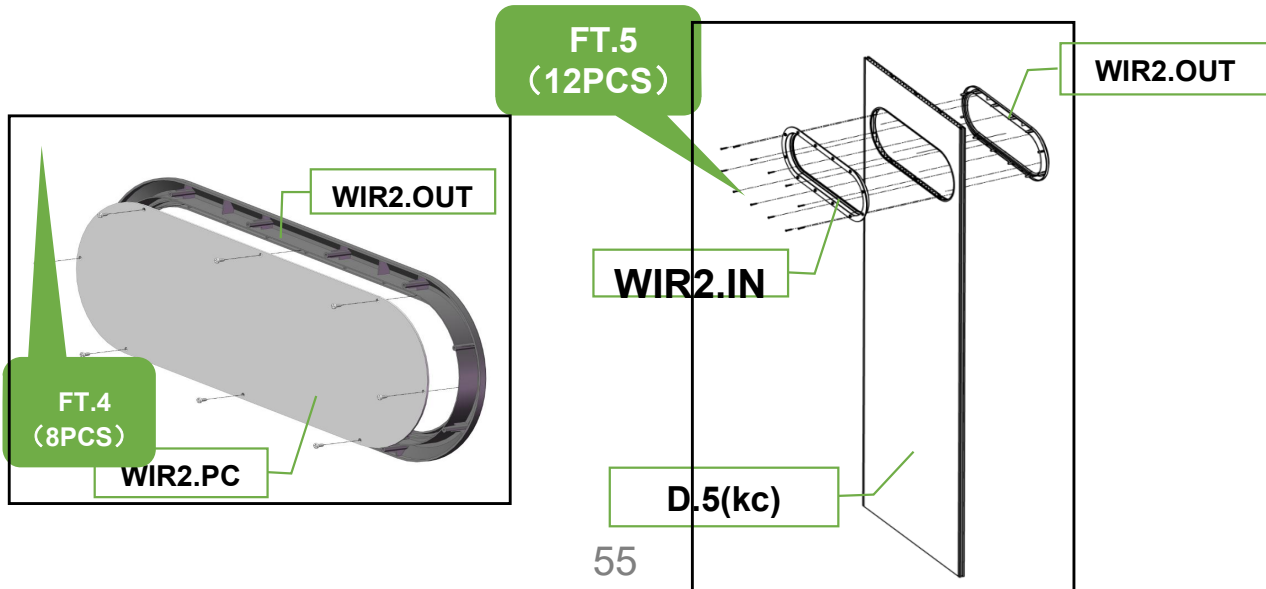
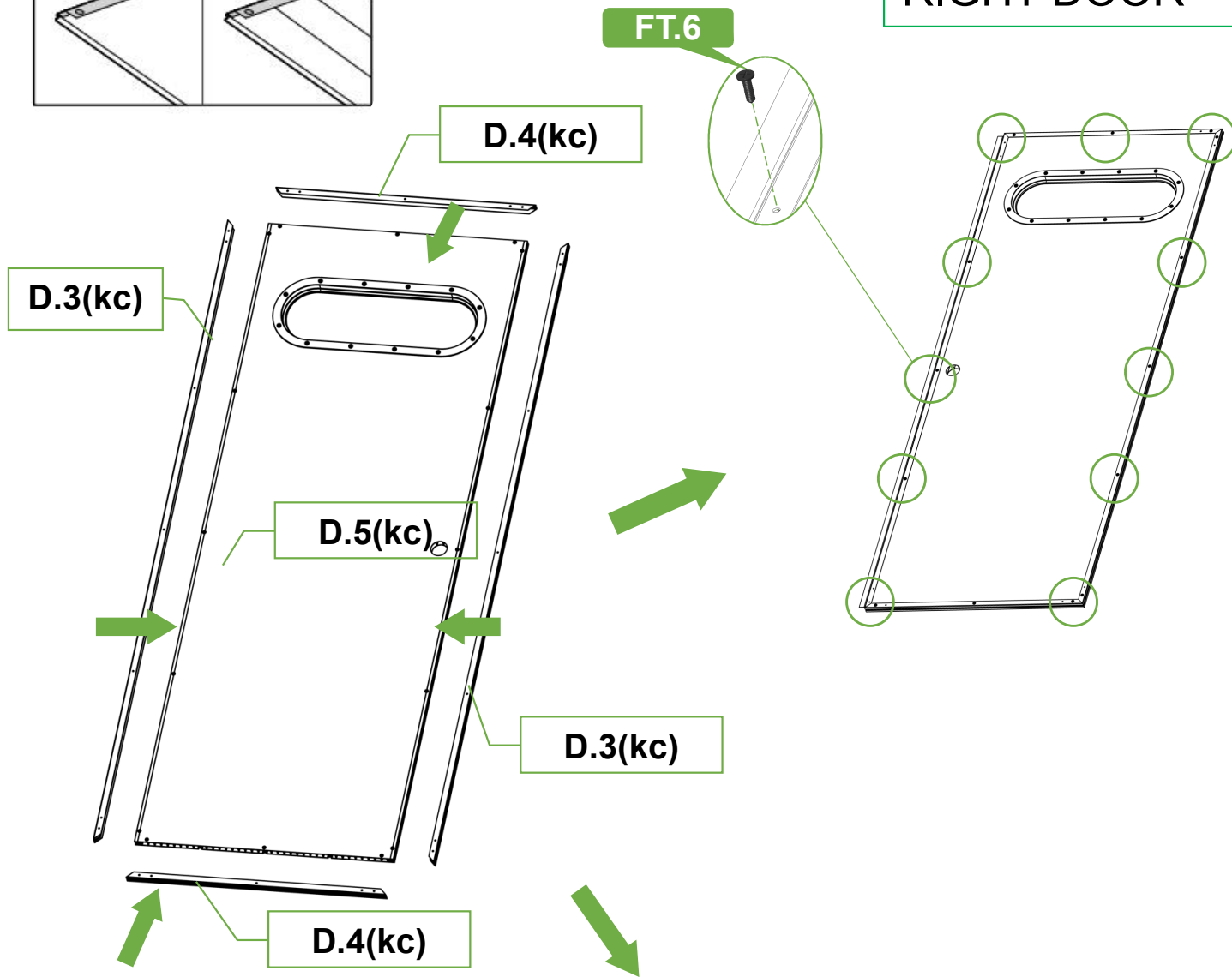
WIR2.IN
1pcs



WIR2.PC
1pcs



RIGHT DOOR



ASSEMBLY INSTRUCTIONS

48



HD.7(kc)
2pcs



DH
1pcs



DH.5
1pcs



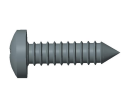
FT.6
6pcs



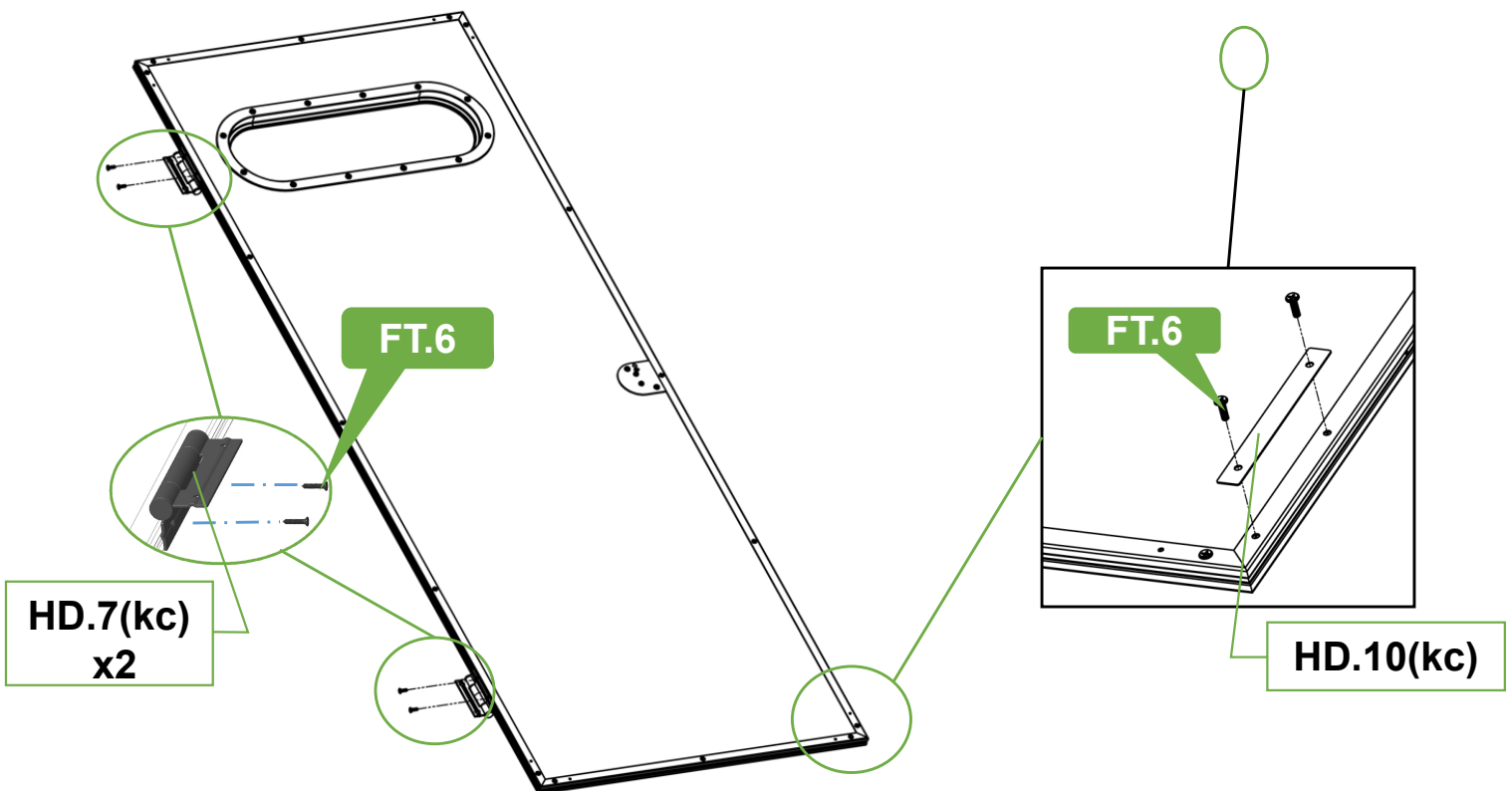
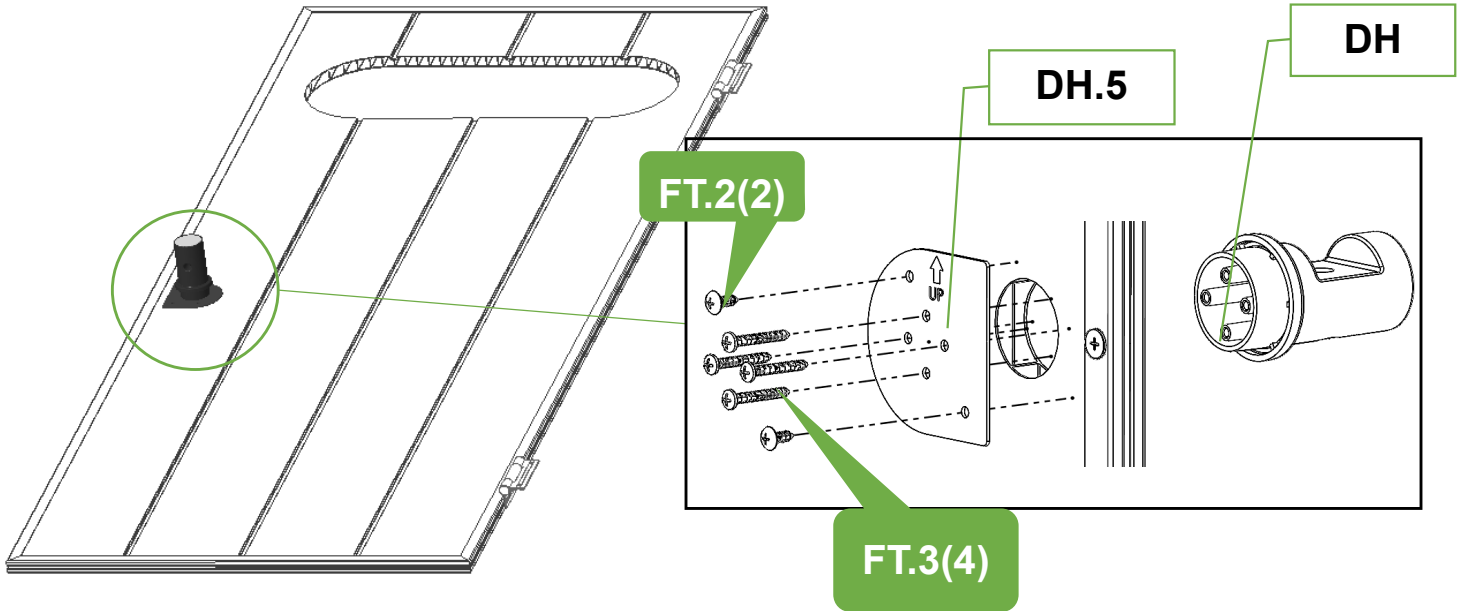
HD.10(kc)
1pcs



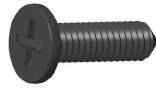
FT.2
2pcs



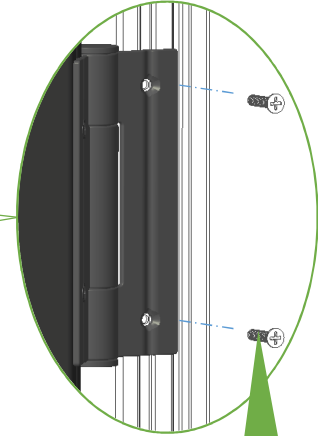
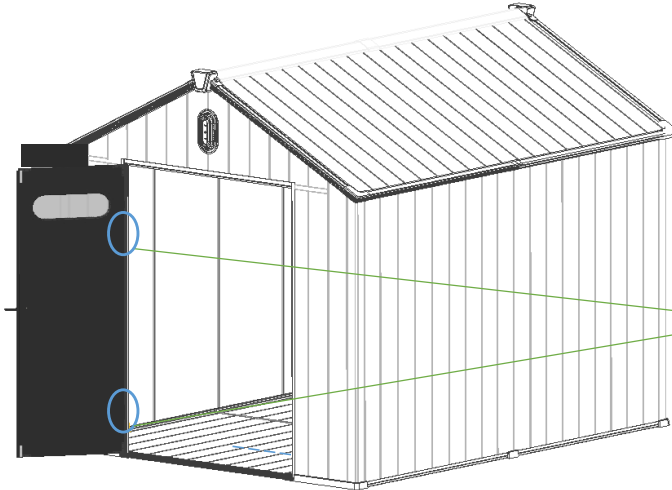
FT.3
4pcs



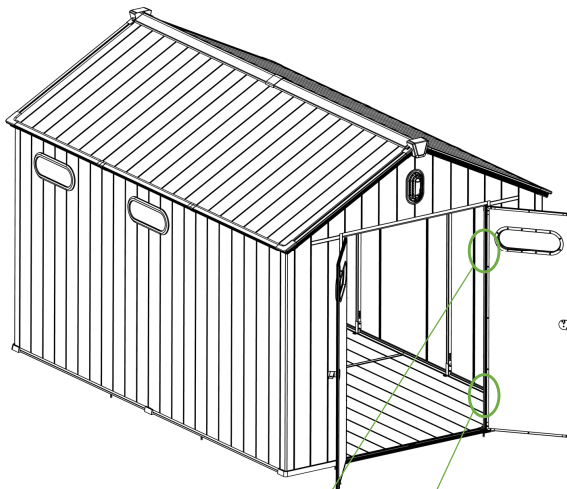
49



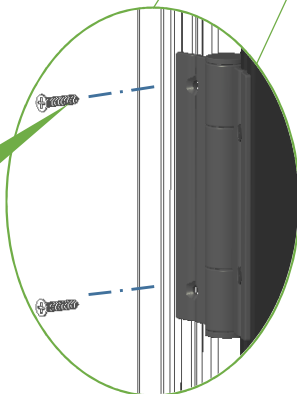
FT.6
8pcs



FT.6(4)



FT.6(4)



50



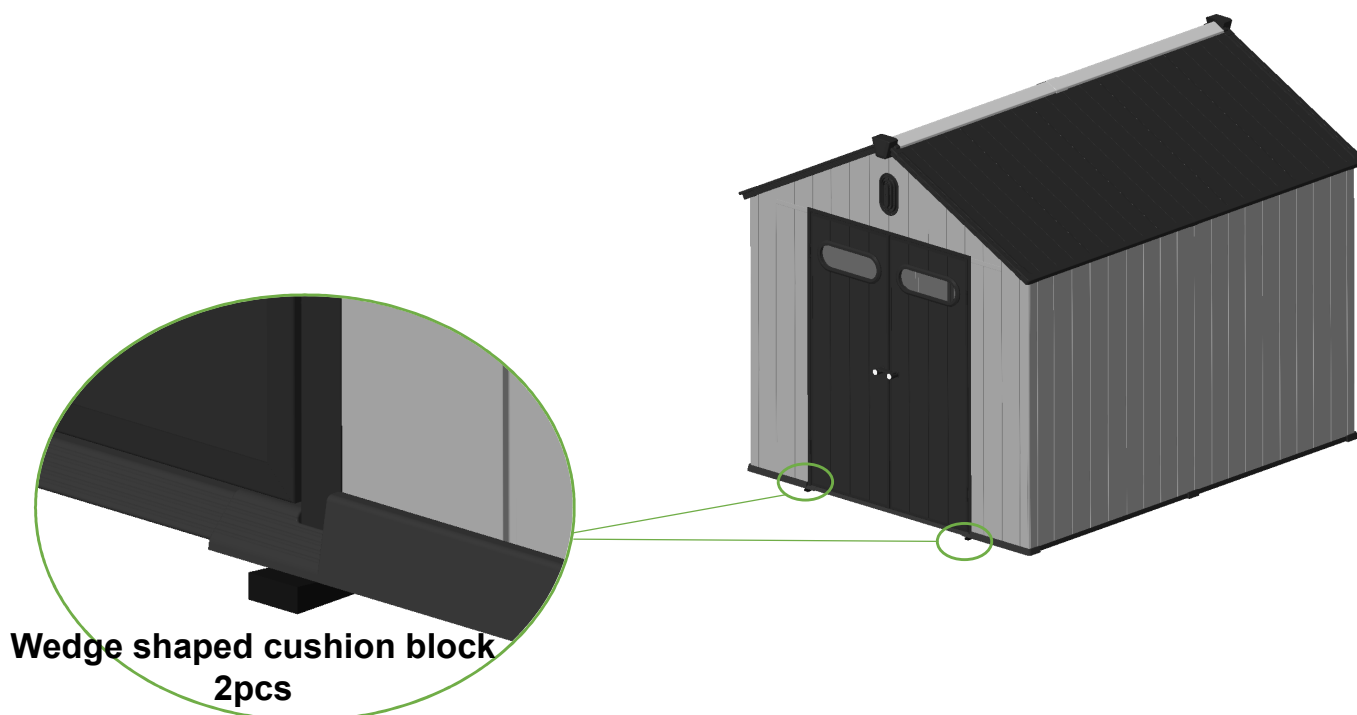
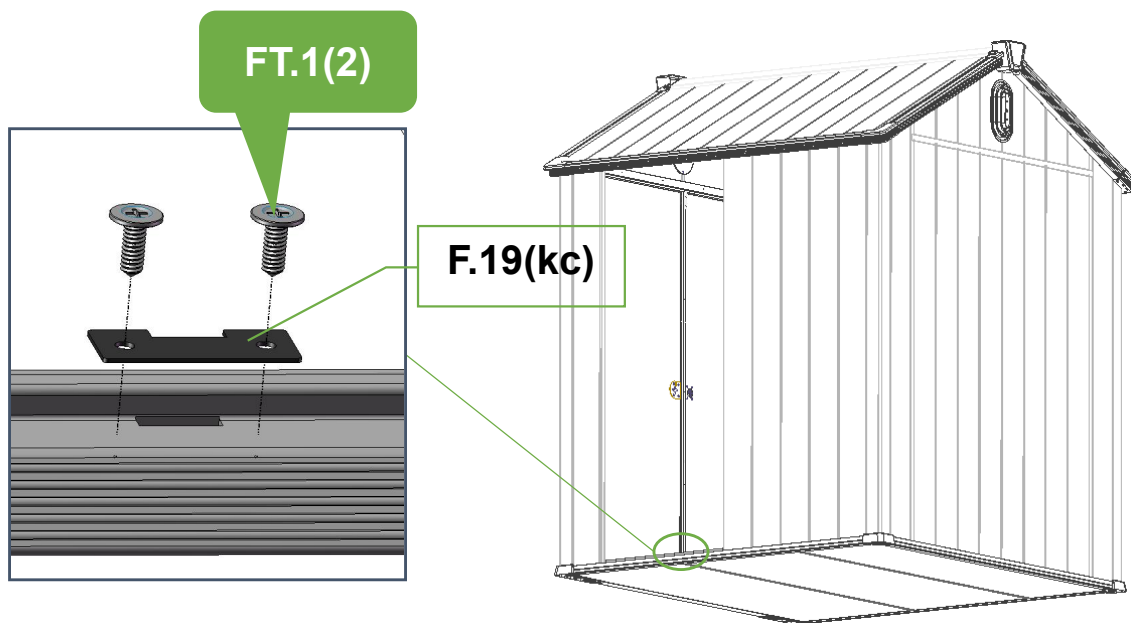
FT.1
2pcs



F.19(kc)
1pcs

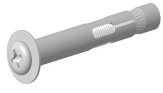


Wedge shaped cushion block
2pcs



【When the door is not closed smoothly, it needs to be leveled or adjust by tighten or loosen the hinge.】

51



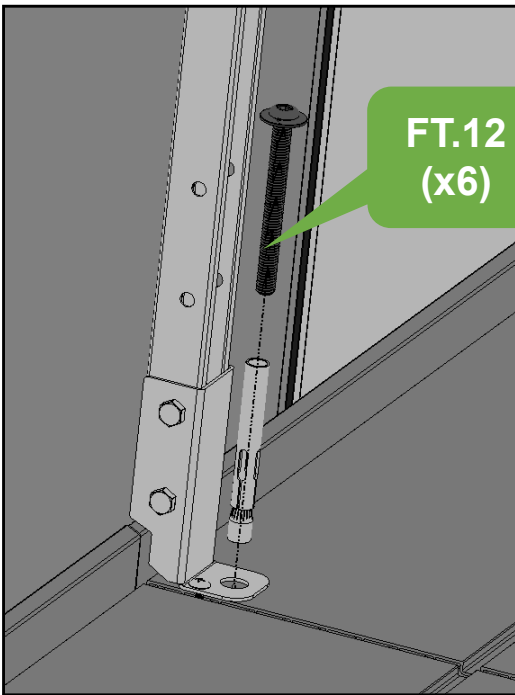
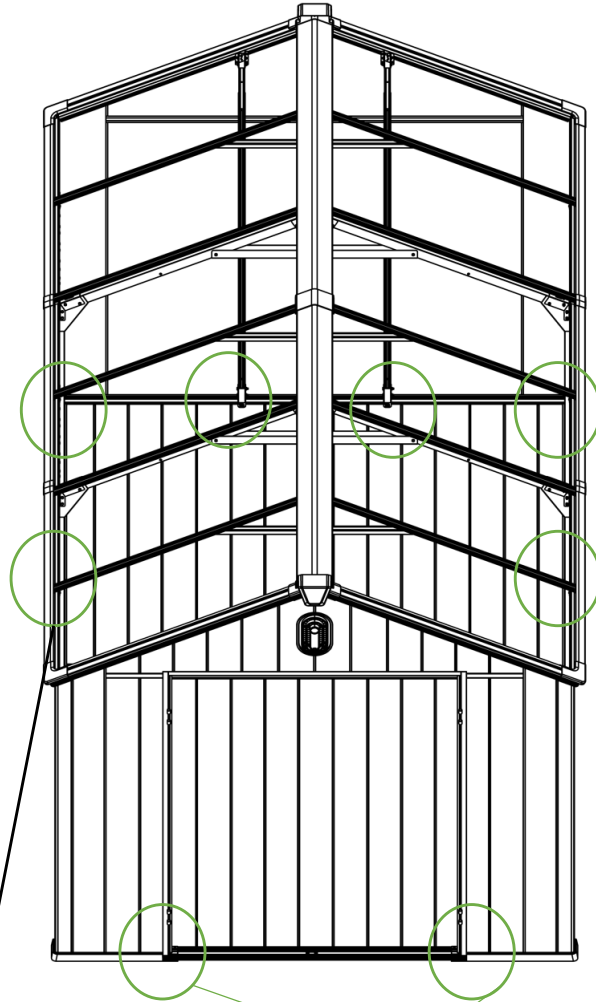
FT.12
8pcs



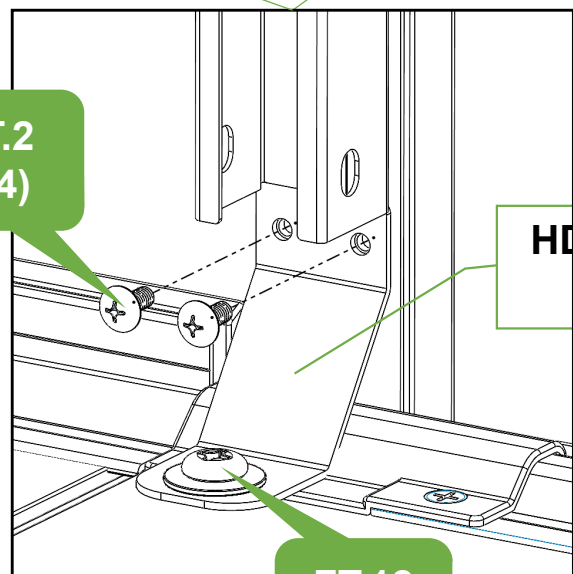
FT.2
4pcs



HD.6(kc)
2pcs



FT.12
(x6)



FT.2
(x4)

HD.6(kc)
(X2)

FT.12
(x2)