

# Assembly Instructions

18" Square Button Tufted Metal Ottoman

## Congratulations on your new piece!

Assembly your furniture should be as easygoing as enjoying the finished product.

Our instructions are simple, straightforward and easy to follow.  
That means less stress during assembly and more time to unwind in your newly furnished sanctuary.

.....

## Before you begin:

1. Email **us** or call **us** with any questions or to order missing supplies.
2. Gather all necessary tools prior to assembly.

## Assembly tips:

1. Remove hardware from the box and sort by size. Place all pieces on a soft, flat surface to avoid scratches on floors or other furniture.
2. Check to see that all hardware and parts are included before beginning assembly.
3. Follow the attached instructions in order for fast and easy assembly.

## Warning:

1. Do not attempt to repair or modify parts that are broken or defective.  
Please contact **us** for assistance.
2. This product is for home use only and not intended for commercial use.

## table of contents

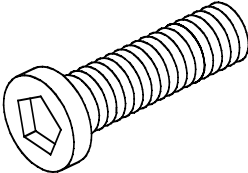
---

introduction	2
hardware	4
parts list	5
assembly	6-7

# hardware

---

**(H1) x 16**  
bolt (1/4" x 1/2")



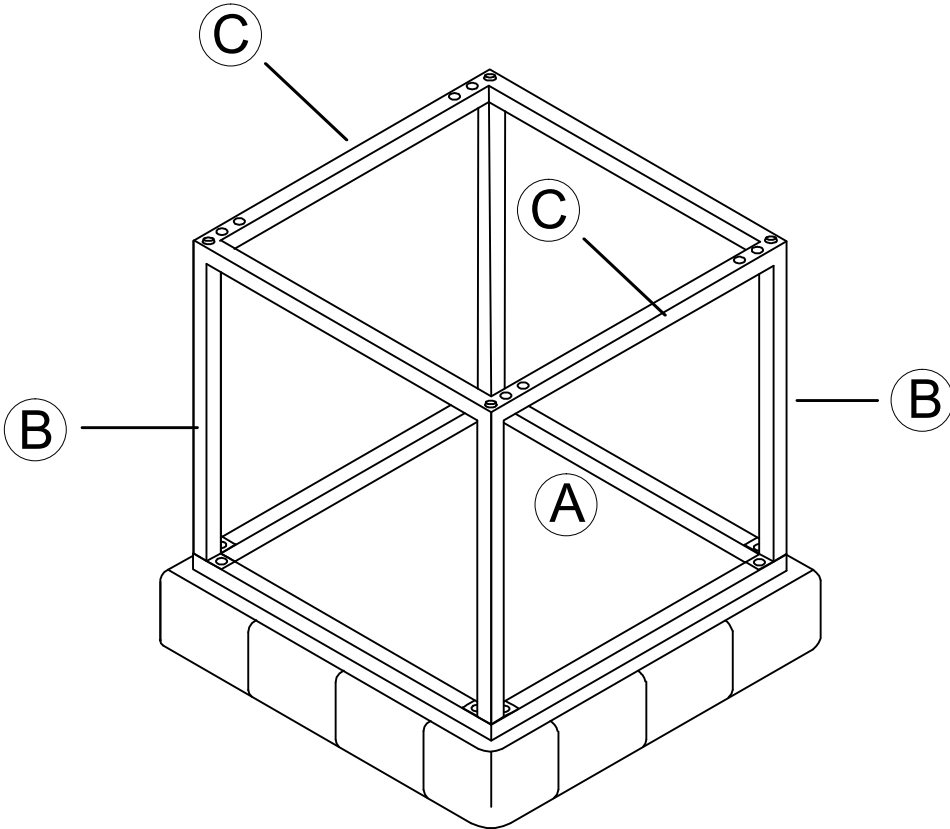
**(H2) x 1**  
hex wrench (1/4")



# ITEM DESCRIPTION QUANTITY

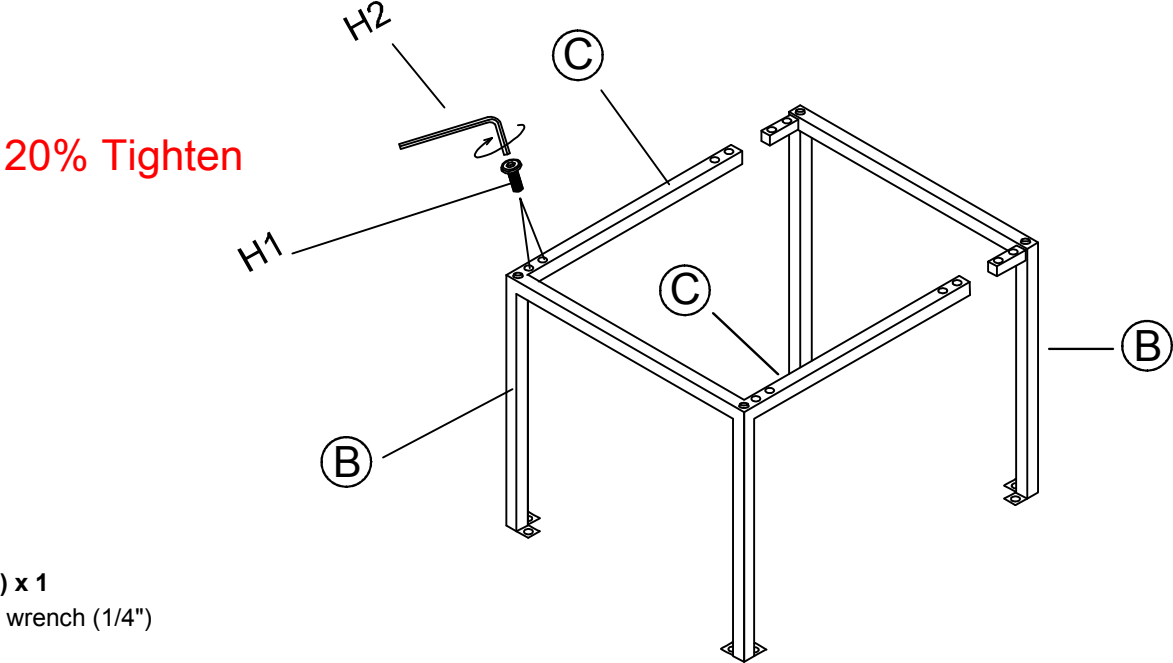
---

A	seat cushion	1
B	legs	2
C	support bar	2

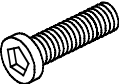


# step 1.

---



**(H1) x 8**  
bolt (1/4" x 1/2")



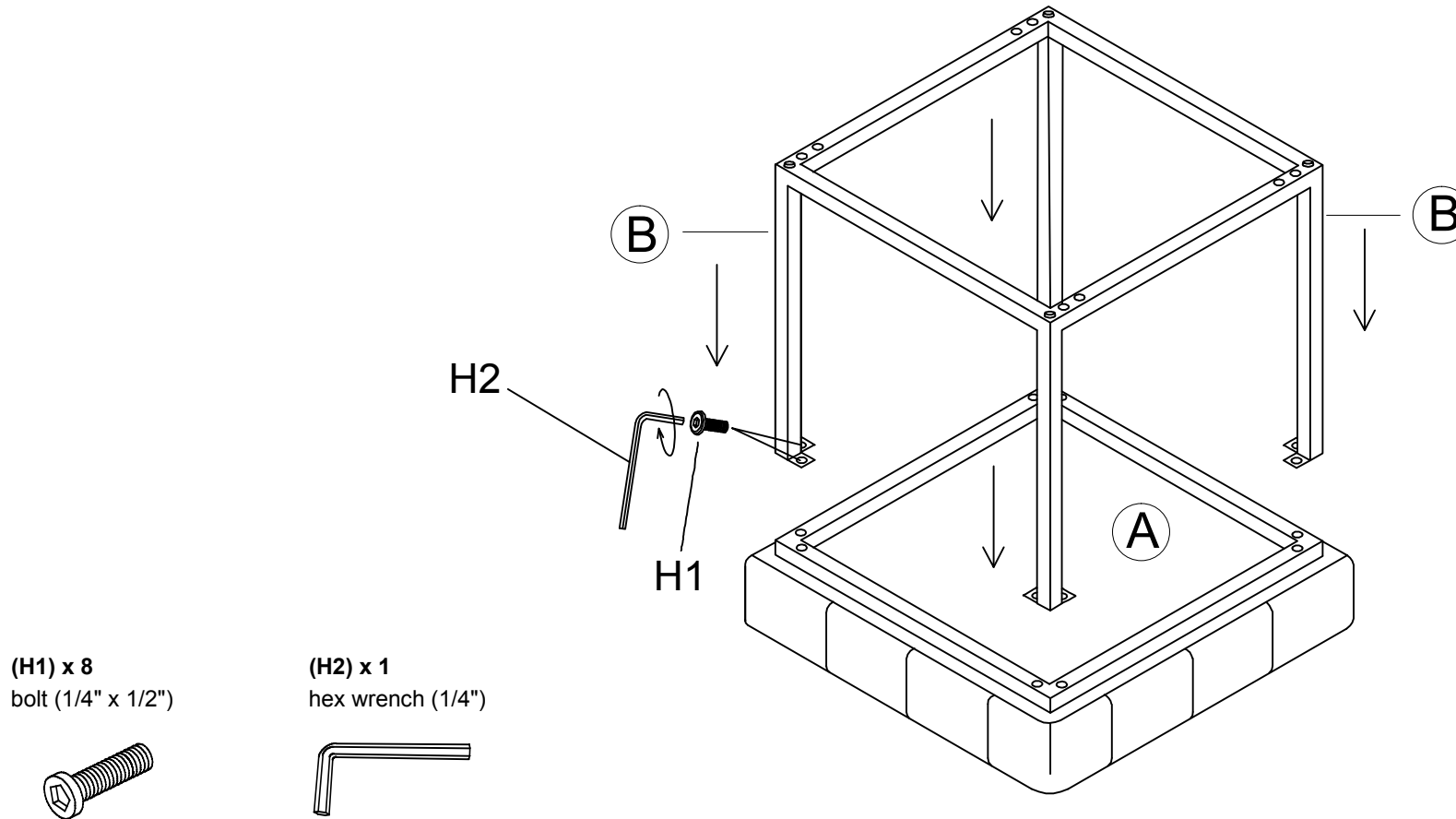
**(H2) x 1**  
hex wrench (1/4")



Assemble the bench on soft, scratch-free surface such as a carpet or a rug.  
1. Fasten the support bar (C),to right side (B) and left side (B) using bolt (H1) and hex wrench (H2).

## step 2.

---



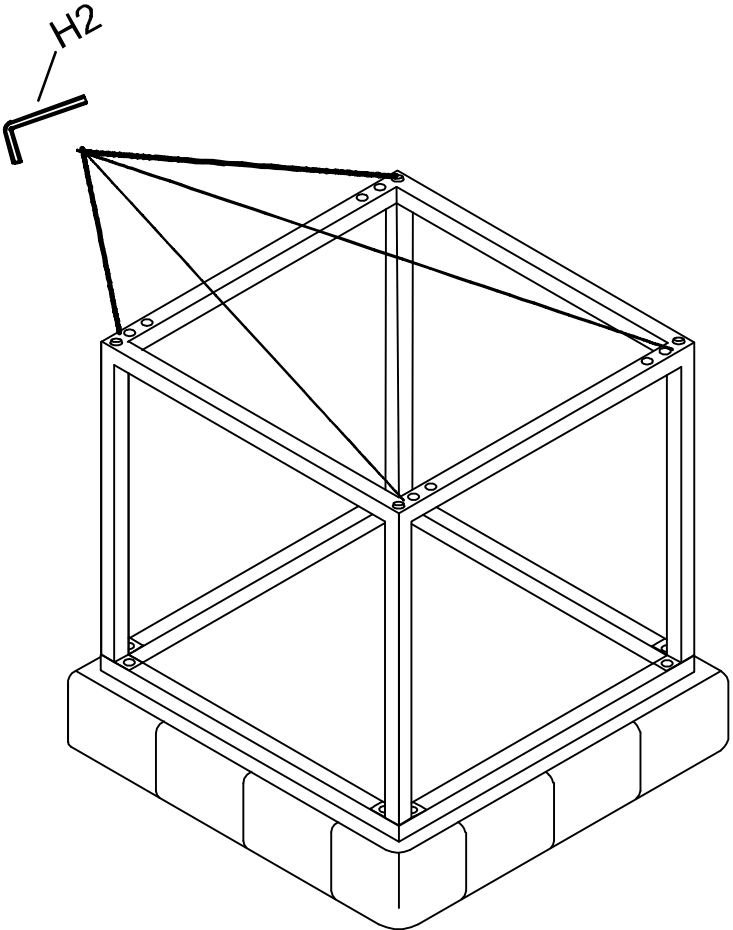
1. Attach the legs (B) to bottom of seat cushion (A) using bolts (H1). Securely tighten all bolts with hex wrench (H2).

Additional note about safety: Bolts may loosen during normal everyday use. They should be periodically inspected and re-tightened to prevent damage or injury. Always check to be sure that all hardware is kept tightened.

**step 3.**

---

100% Tighten



Please continue to tighten these eight screws.