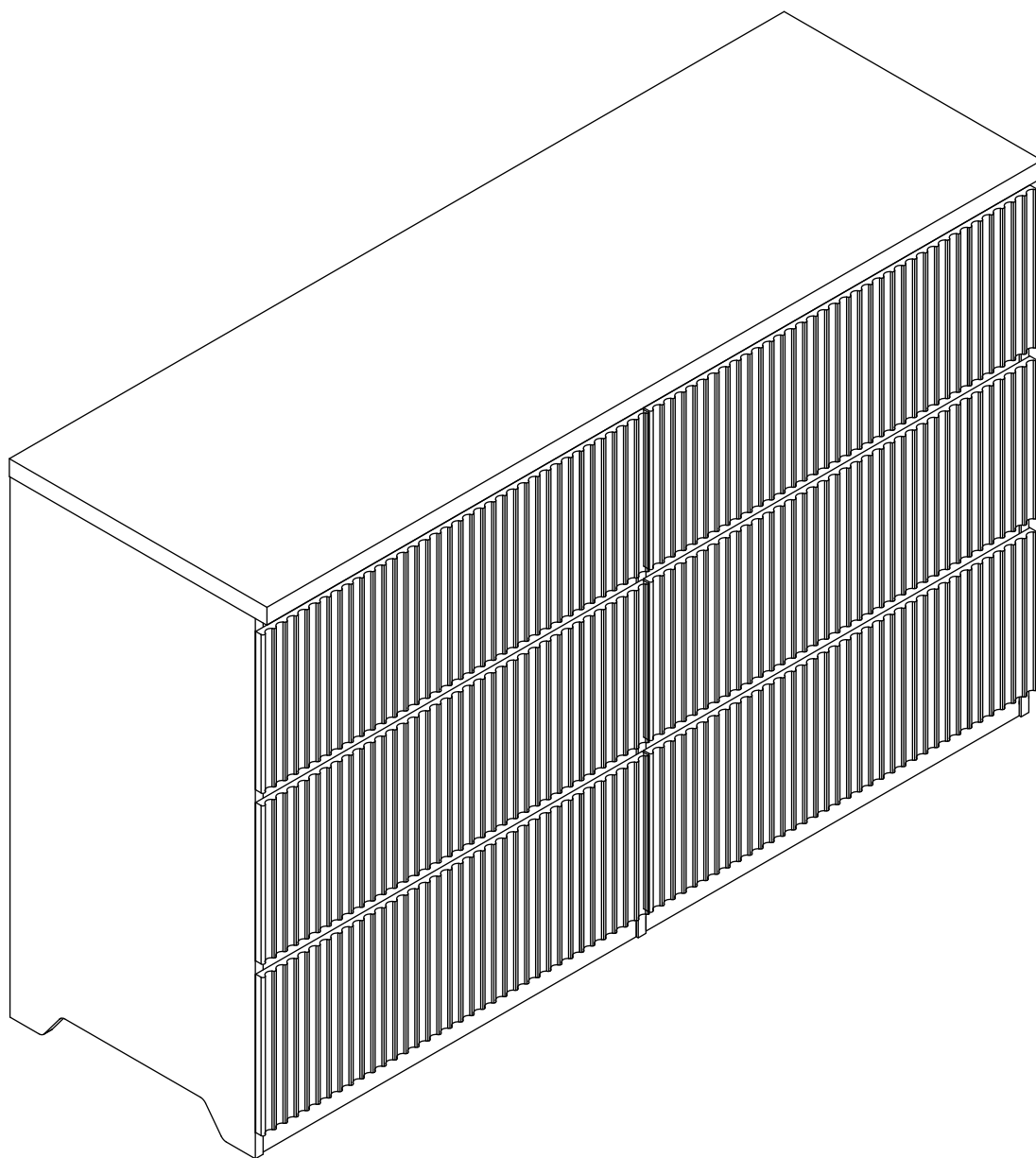
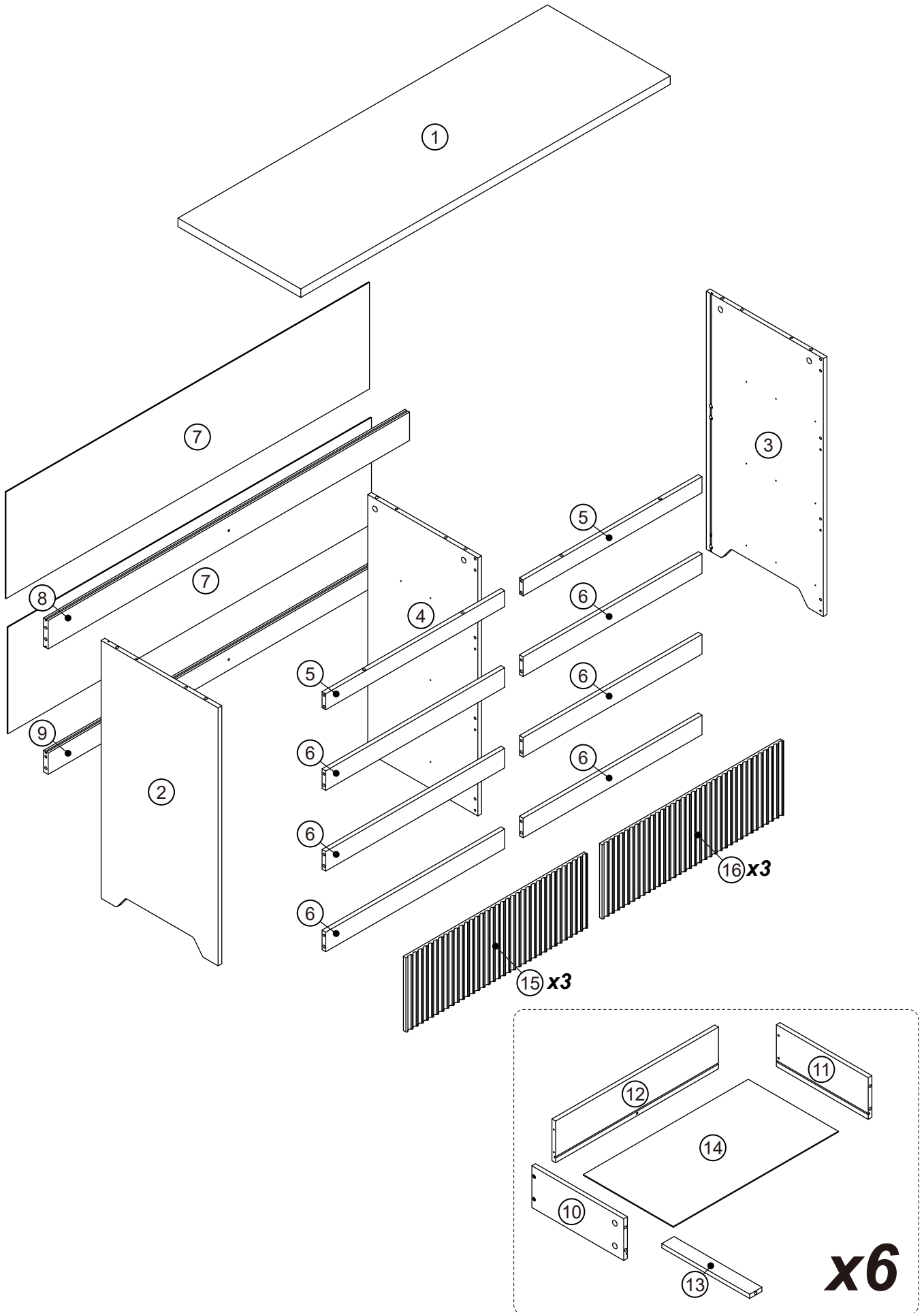


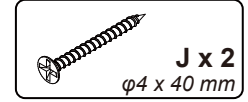
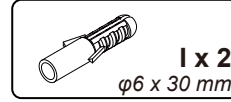
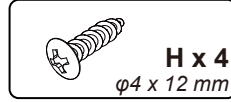
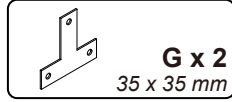
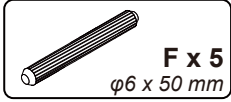
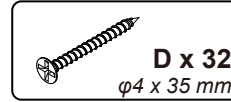
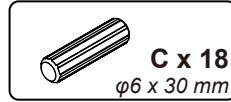
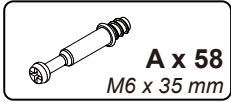
ASSEMBLY INTRODUCTION



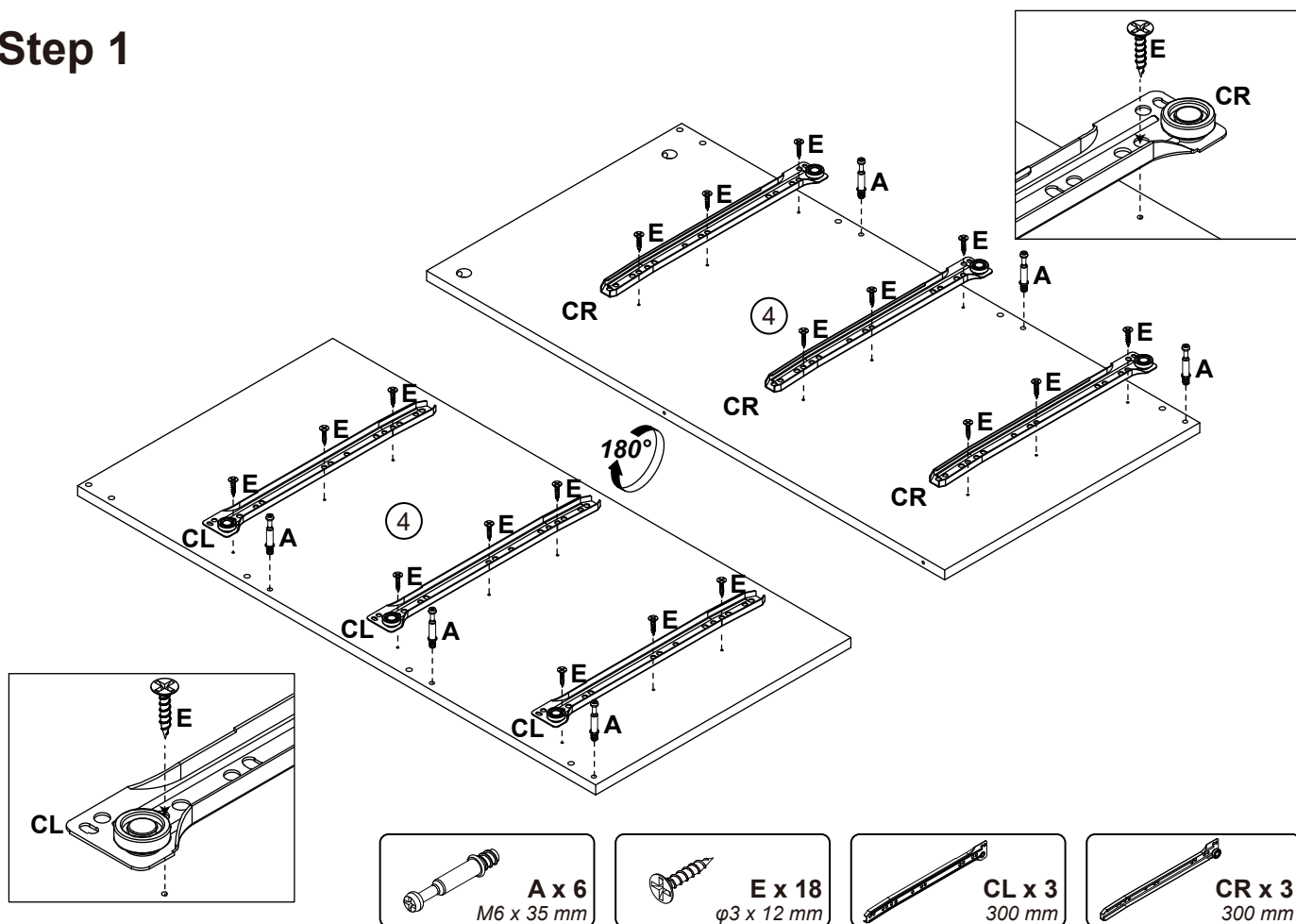
Exploded View



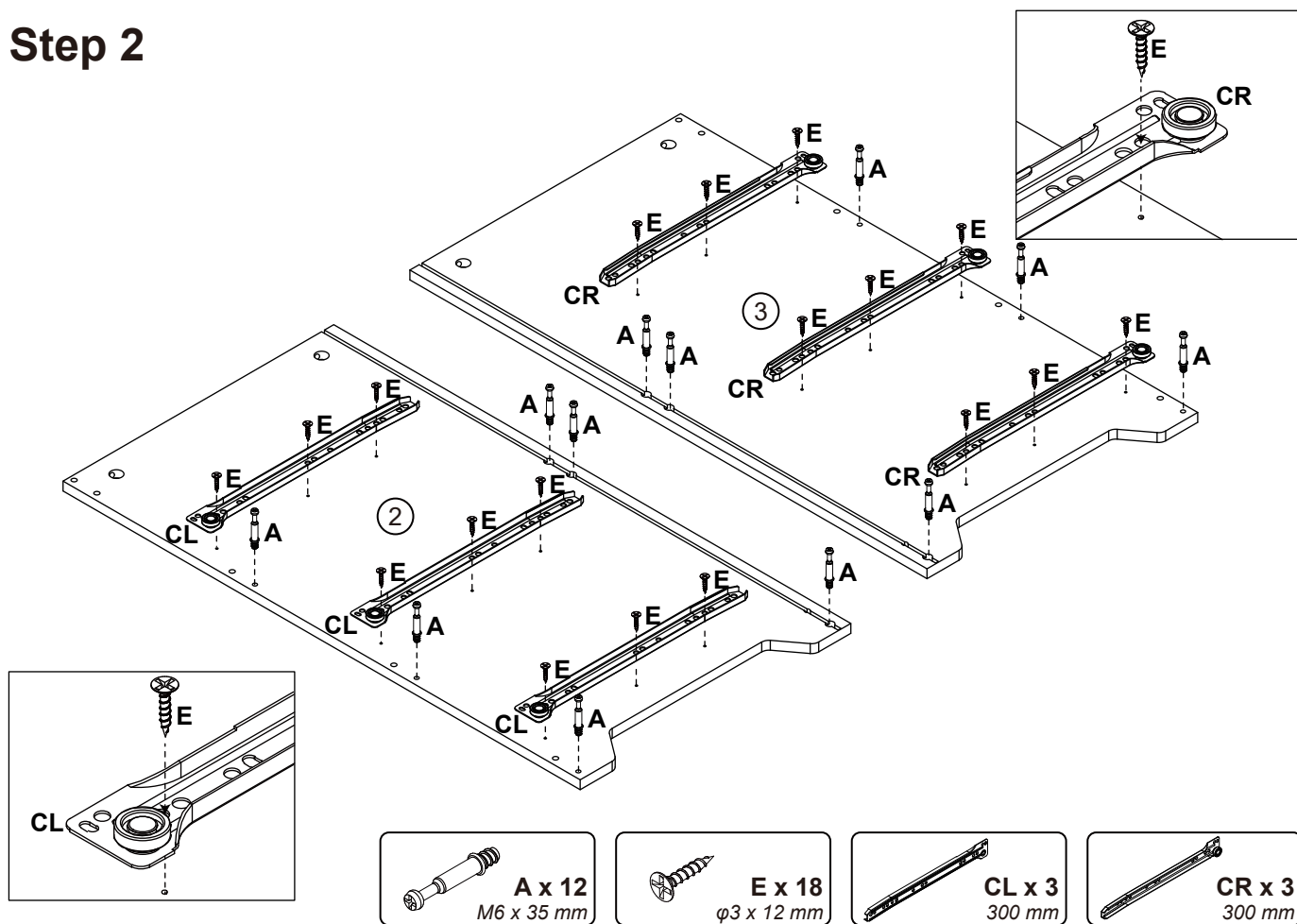
Fittings



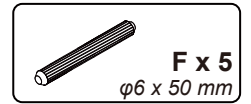
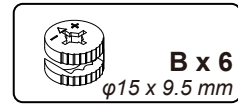
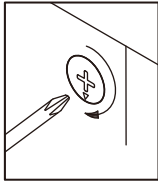
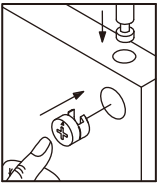
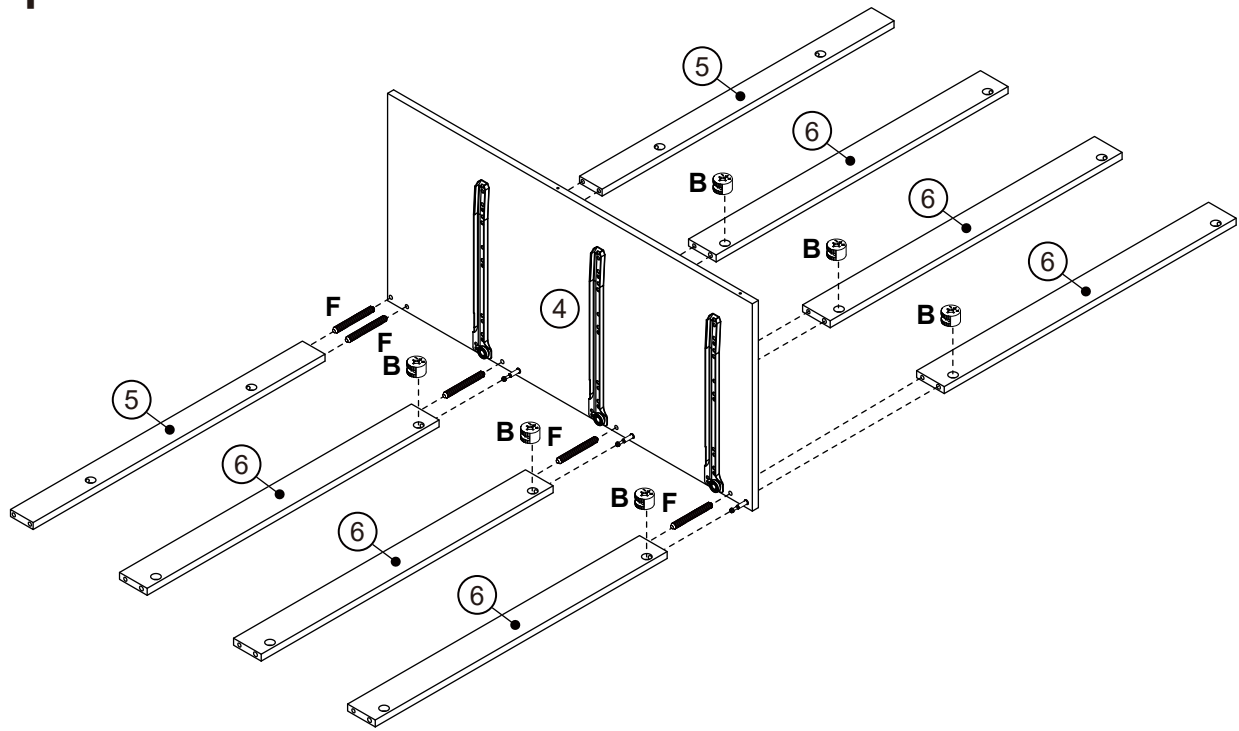
Step 1



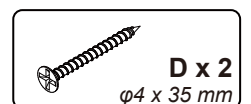
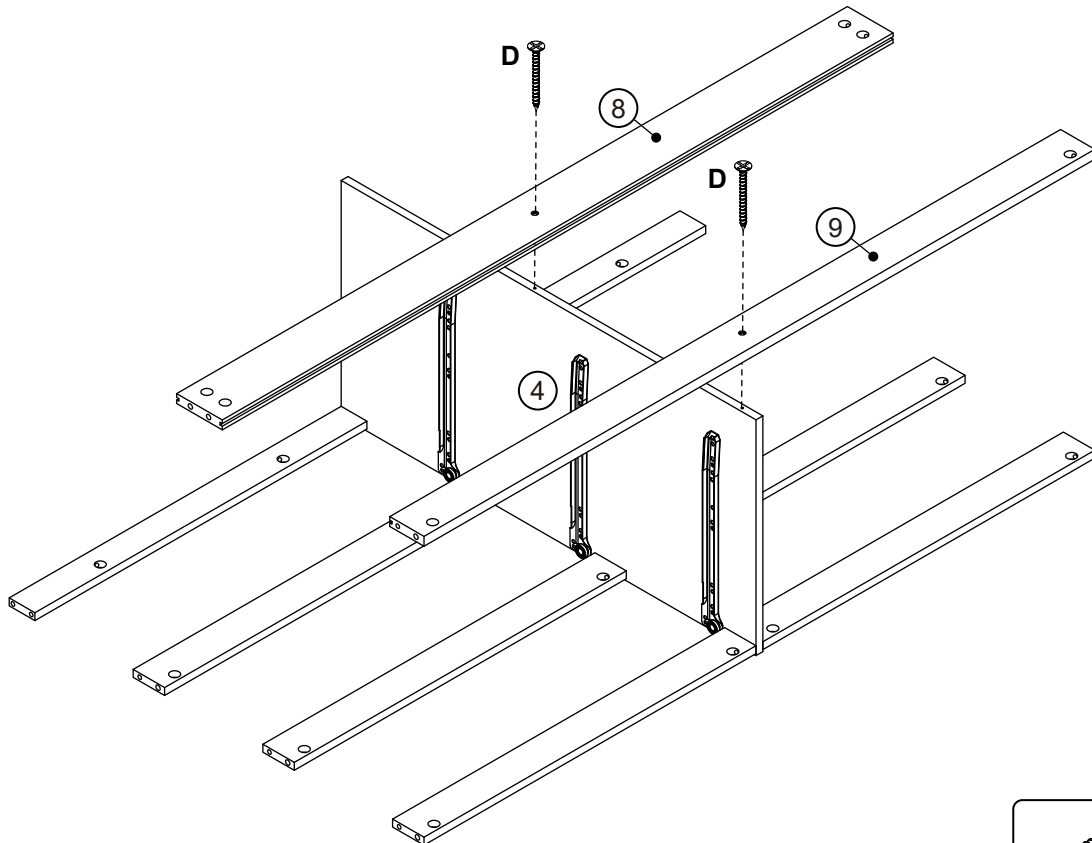
Step 2



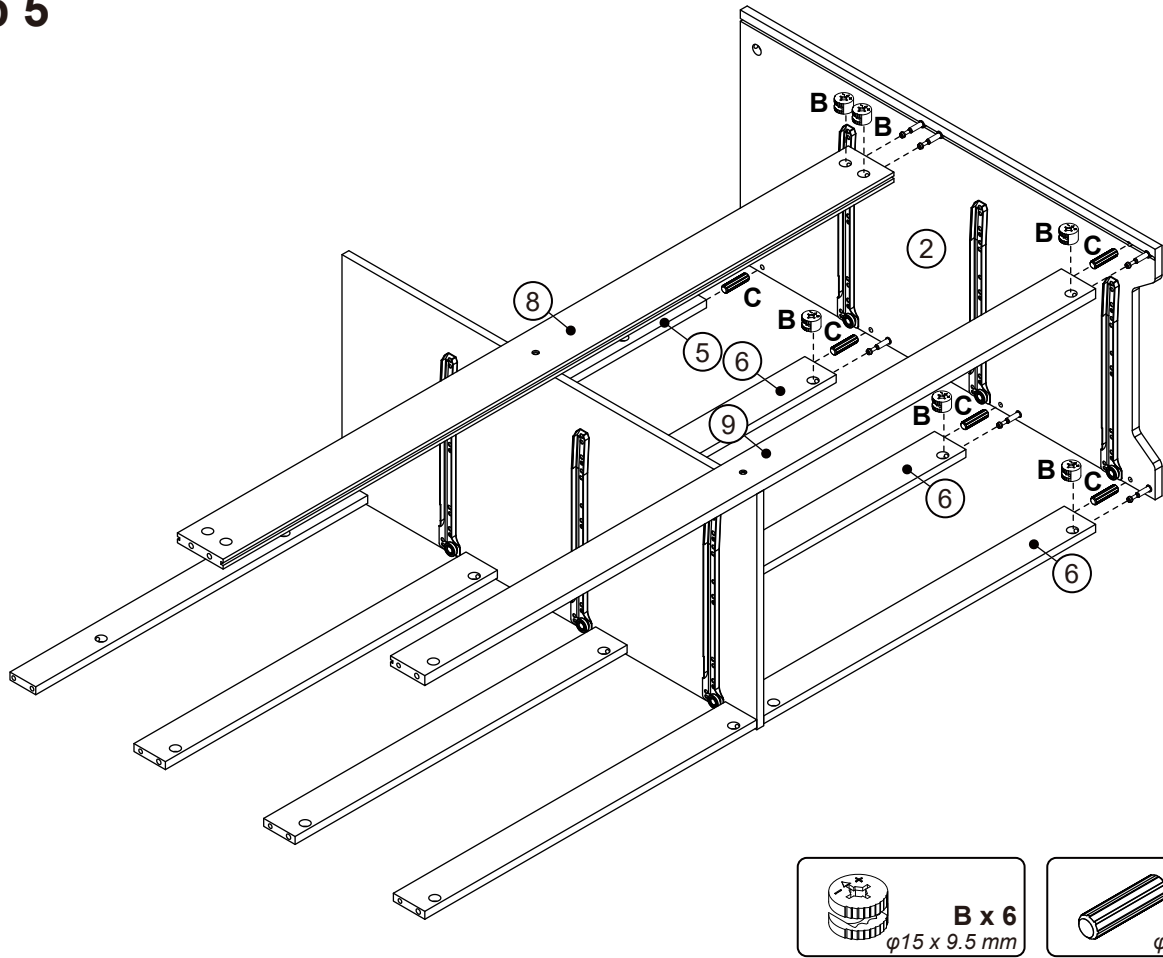
Step 3



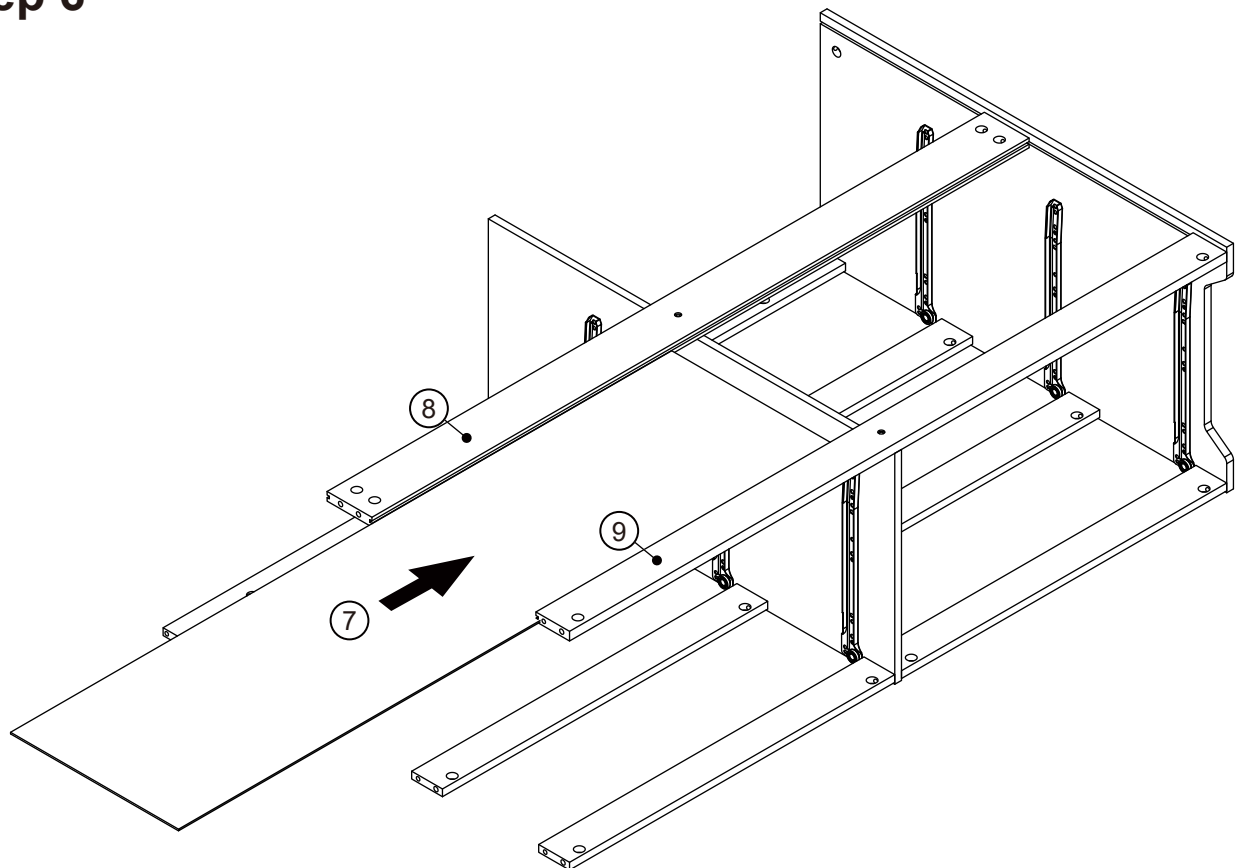
Step 4



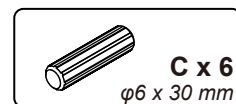
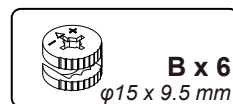
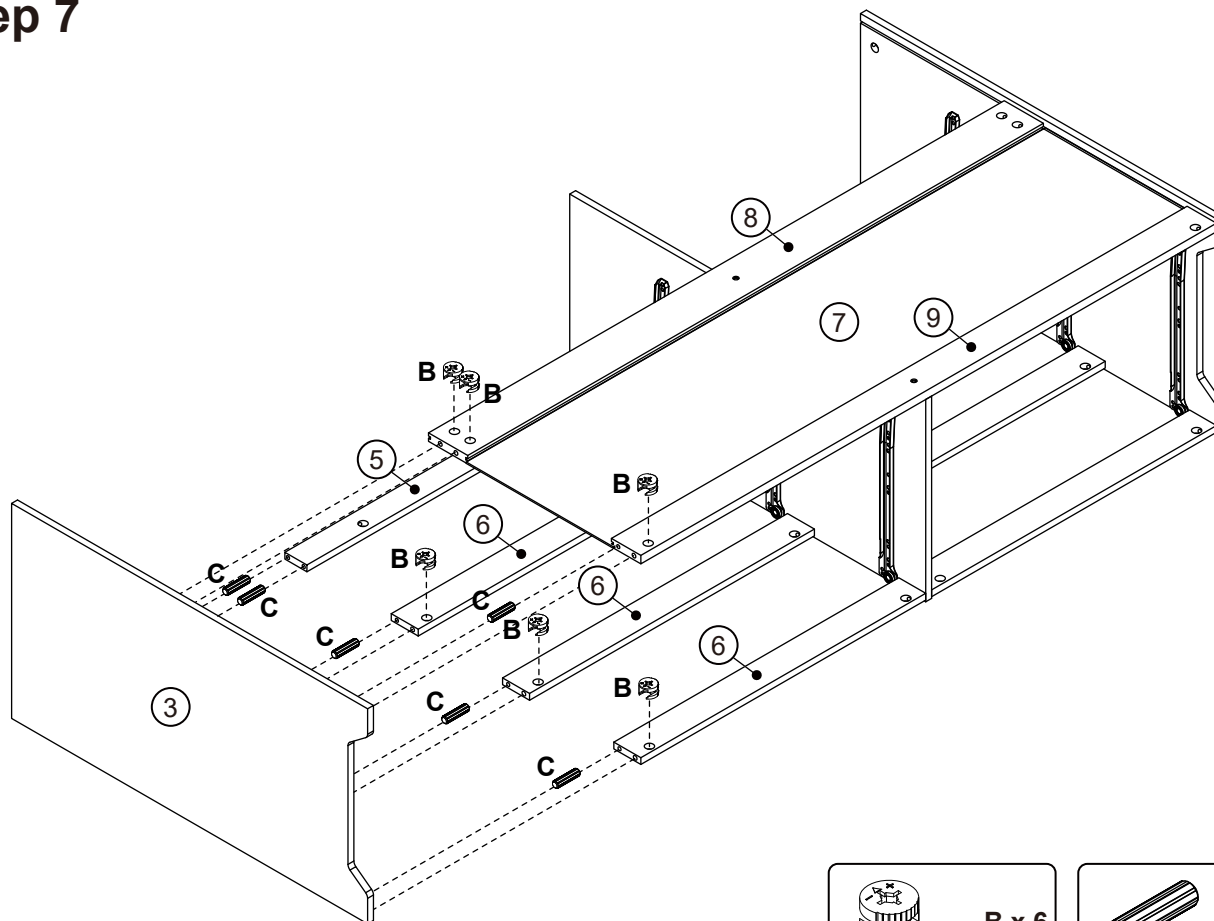
Step 5



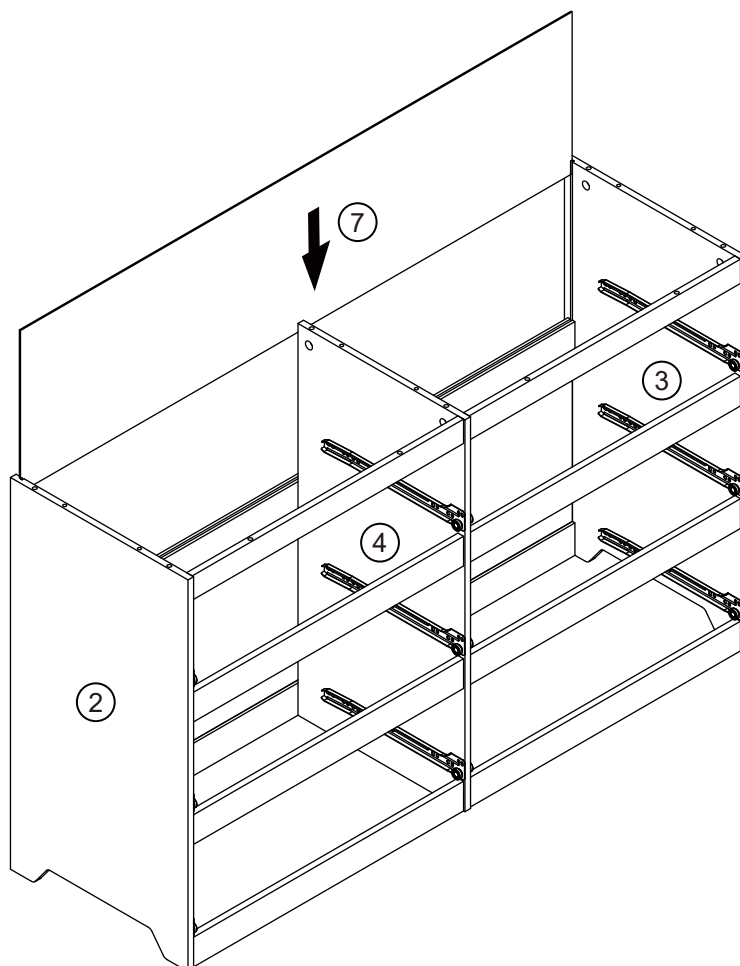
Step 6



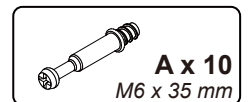
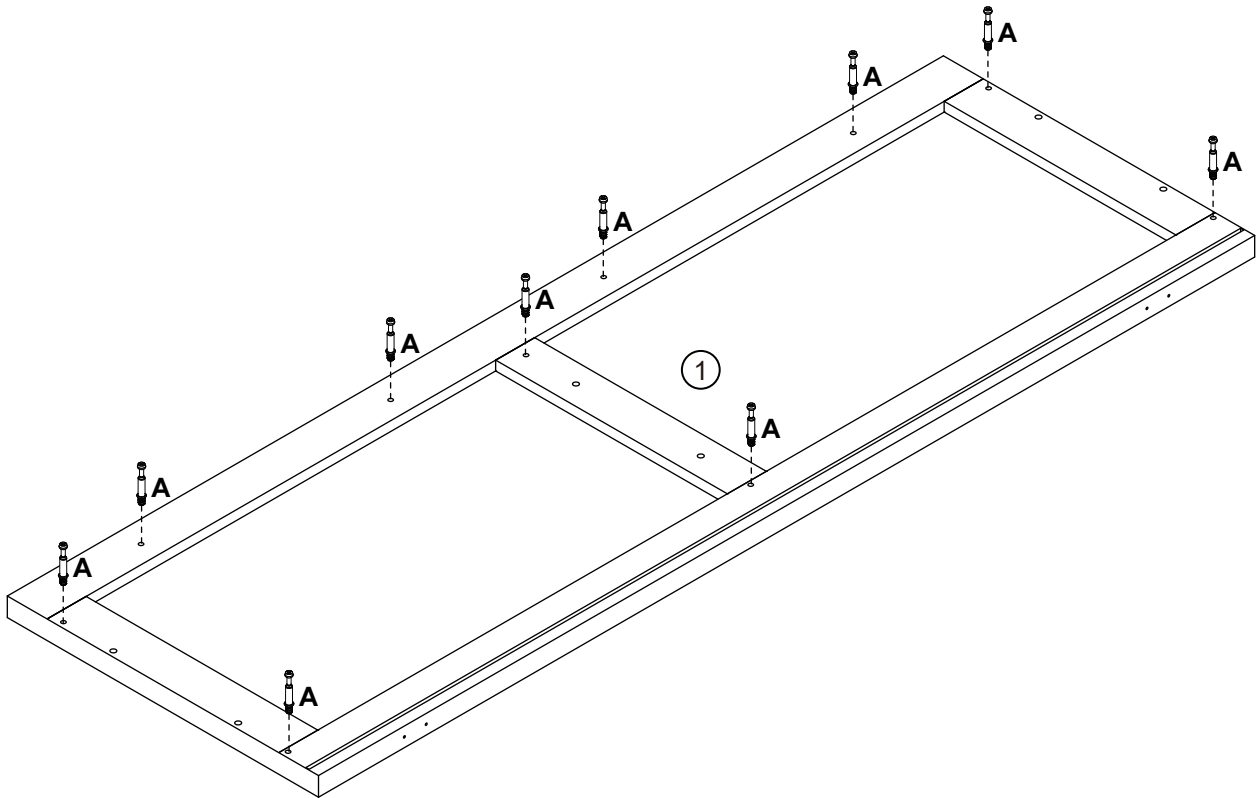
Step 7



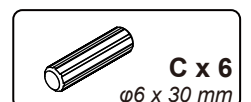
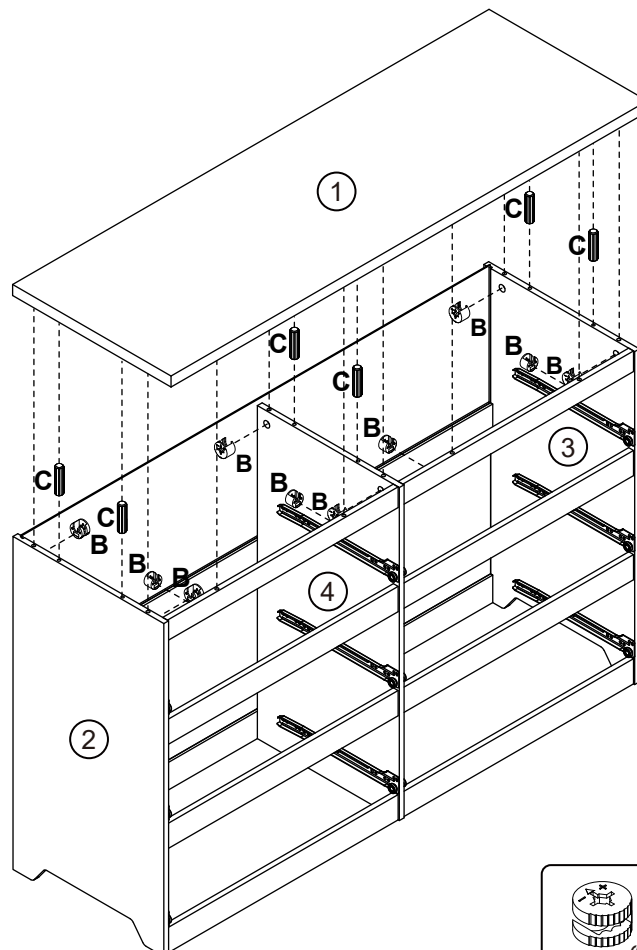
Step 8



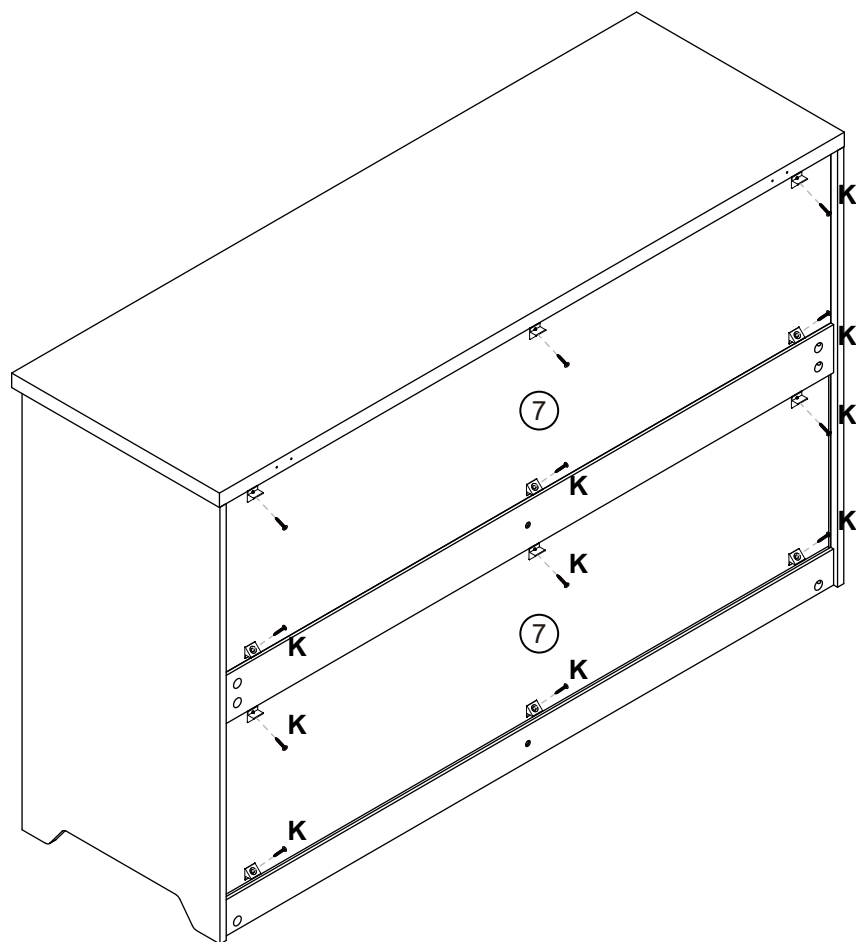
Step 9



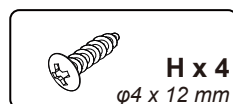
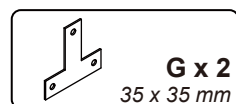
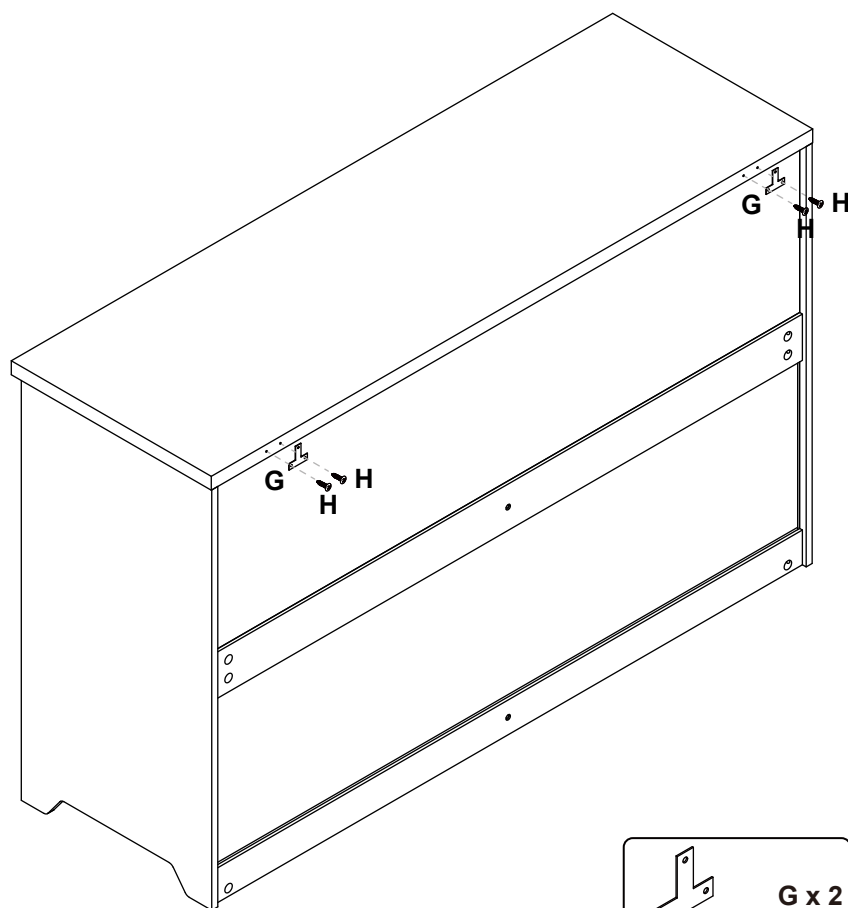
Step 10



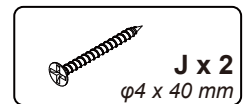
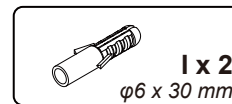
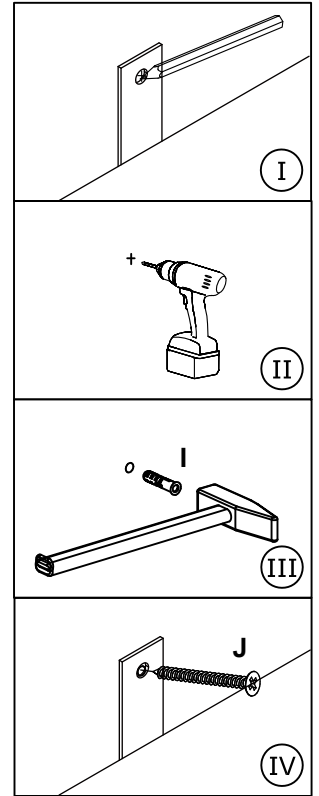
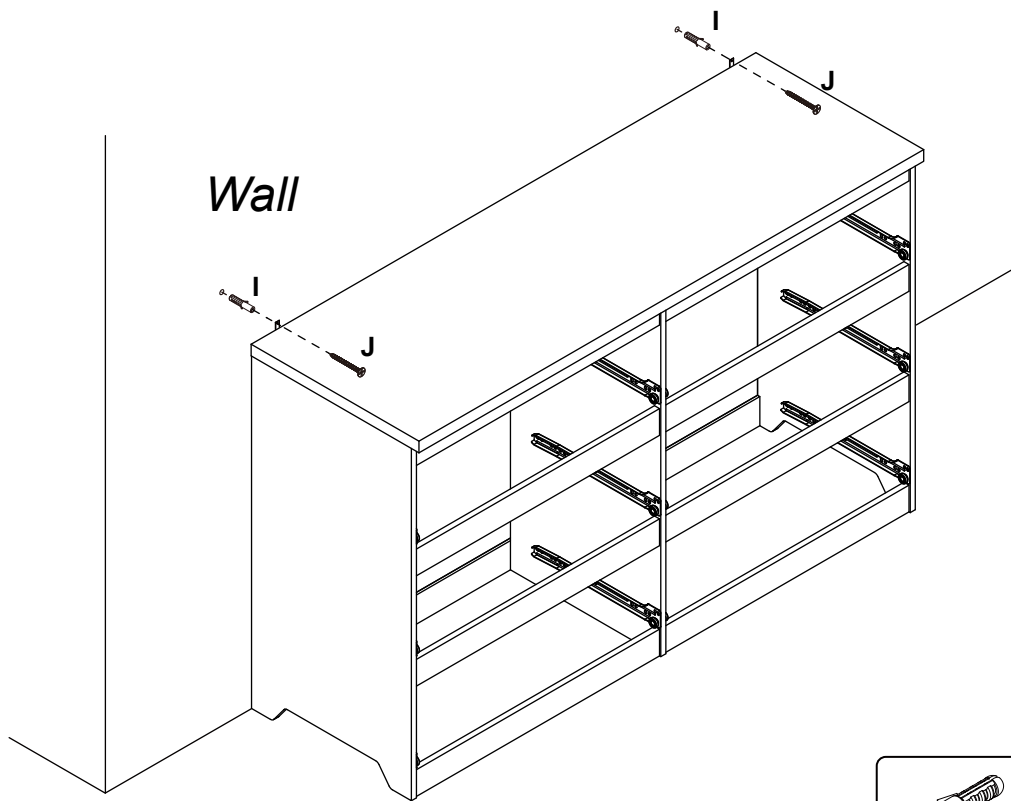
Step 11



Step 12

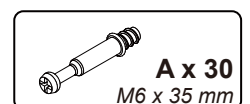
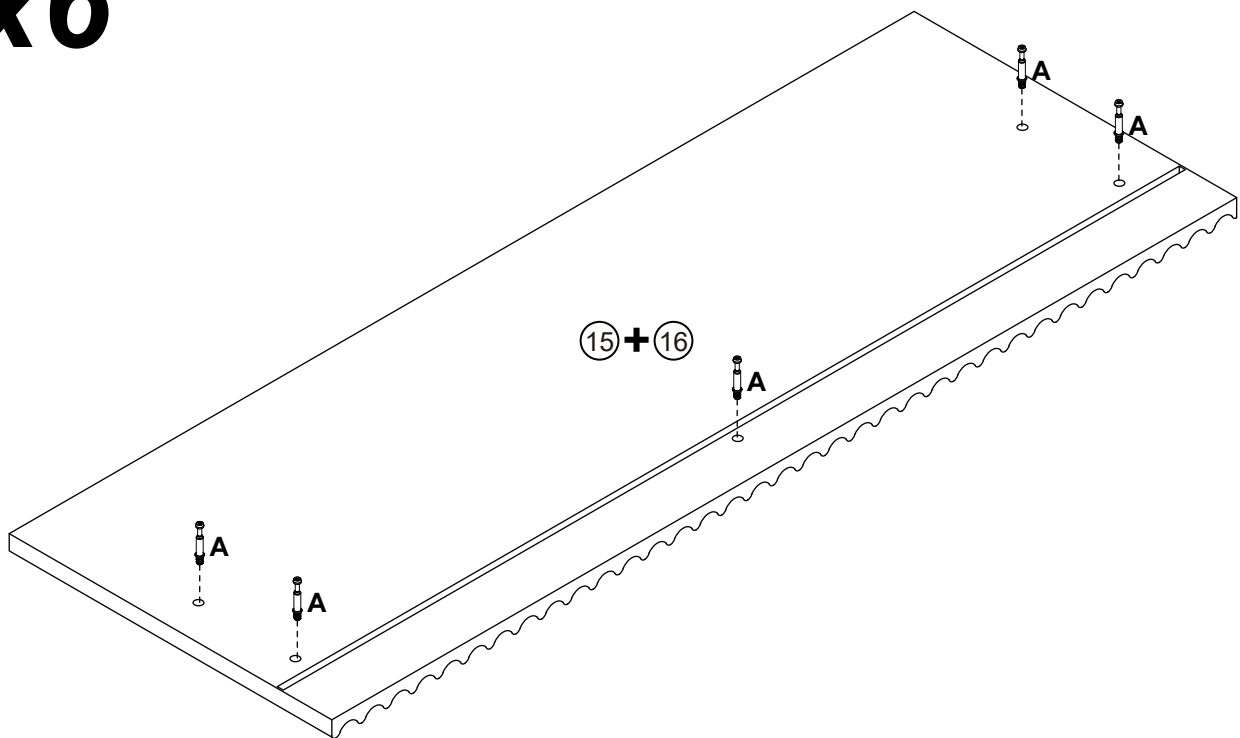


Step 13

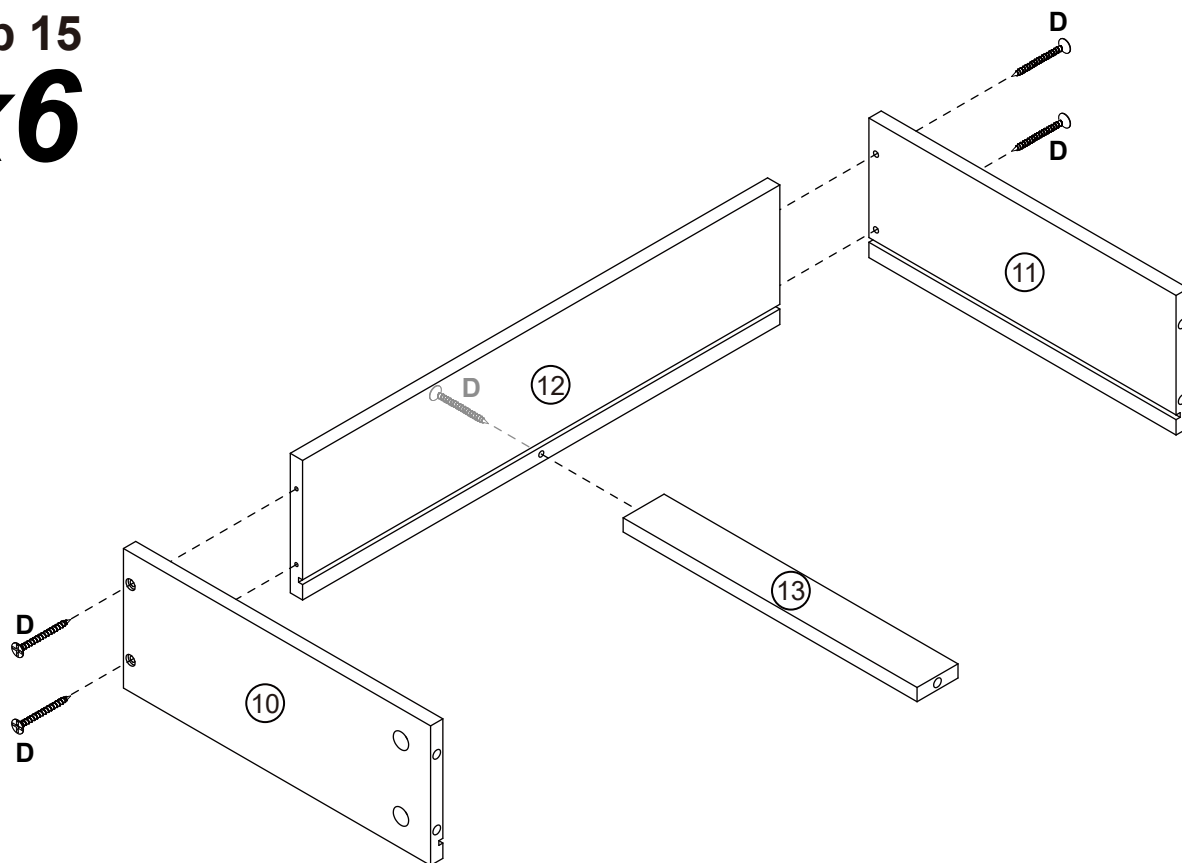


Step 14

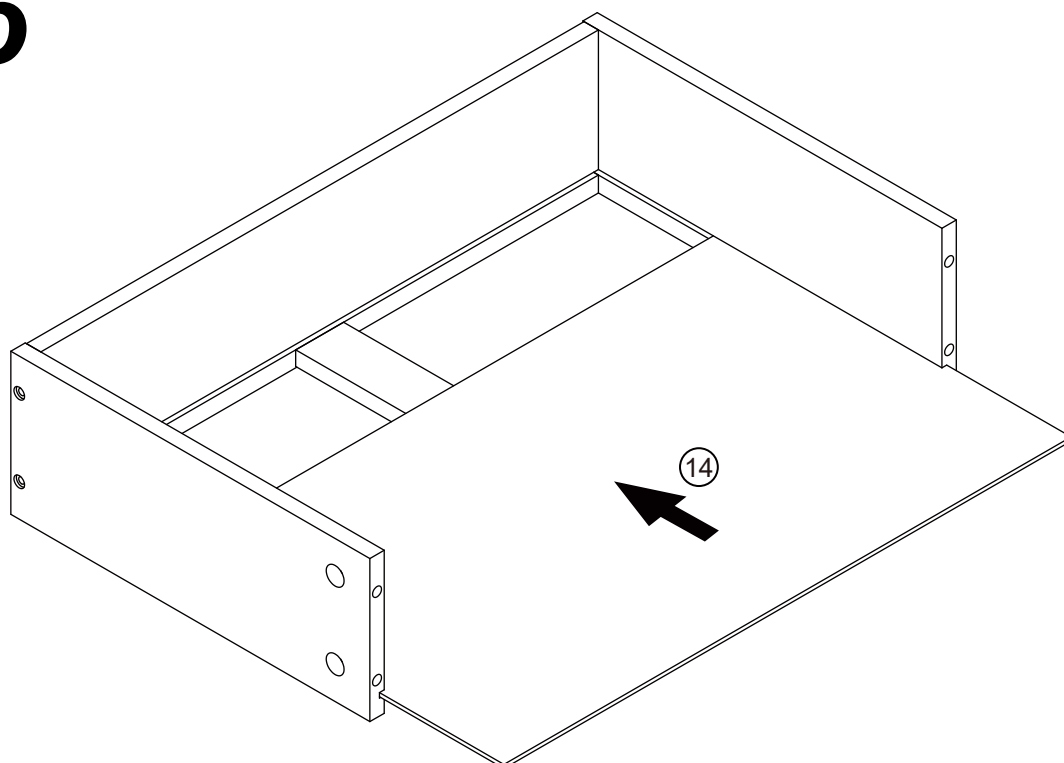
x6



Step 15
x6

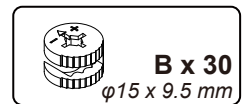
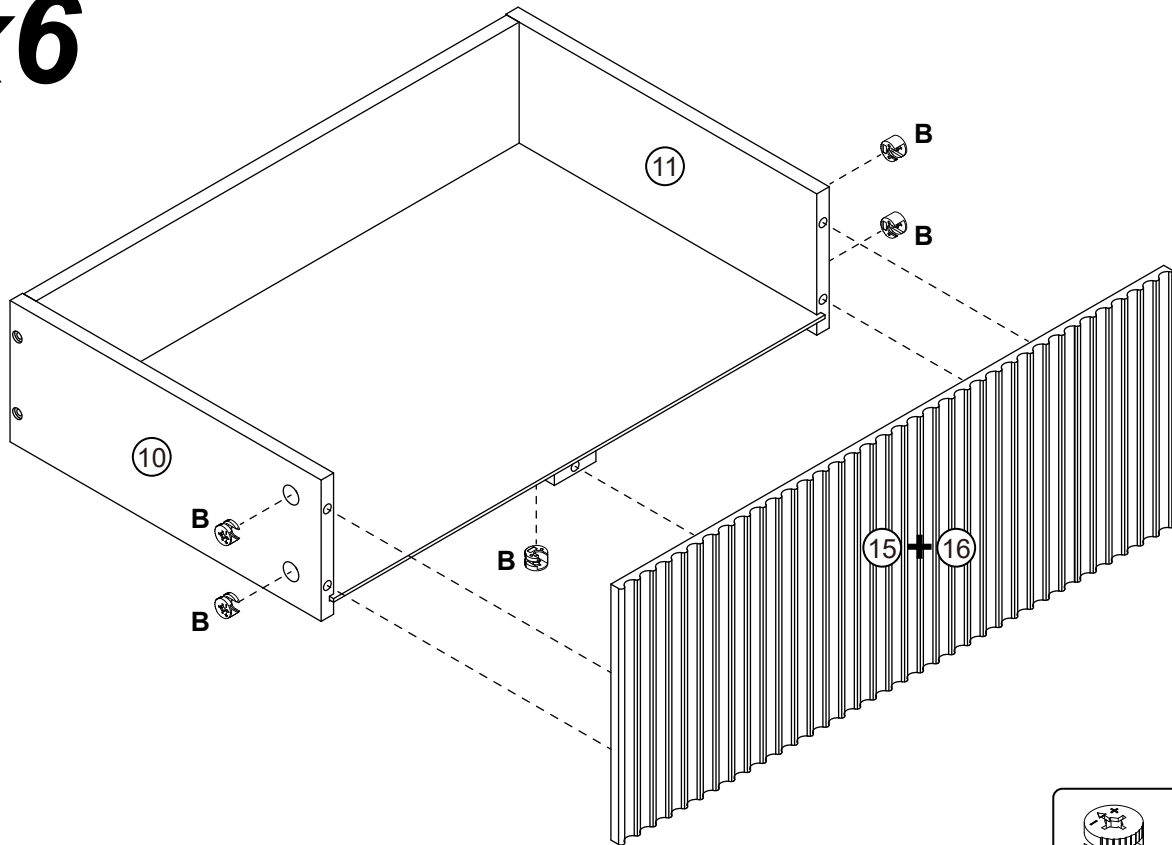


Step 16
x6



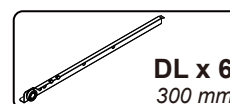
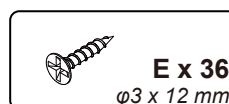
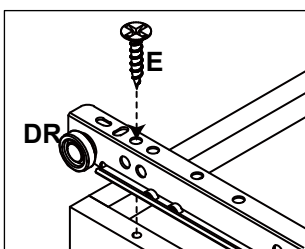
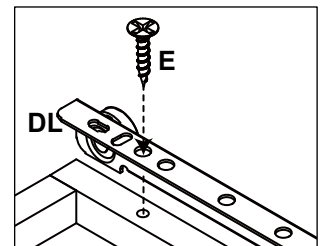
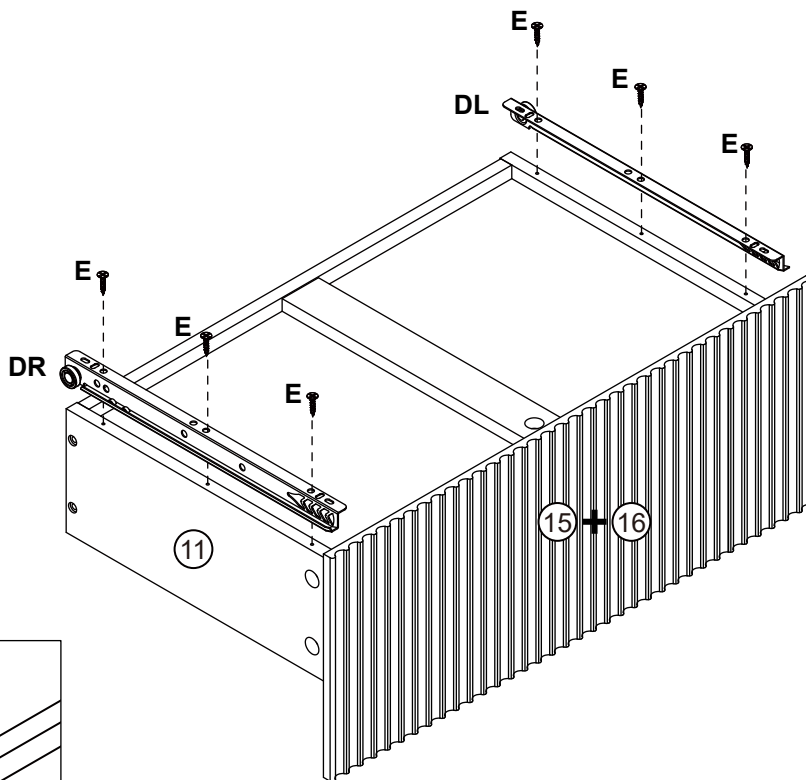
Step 17

x6

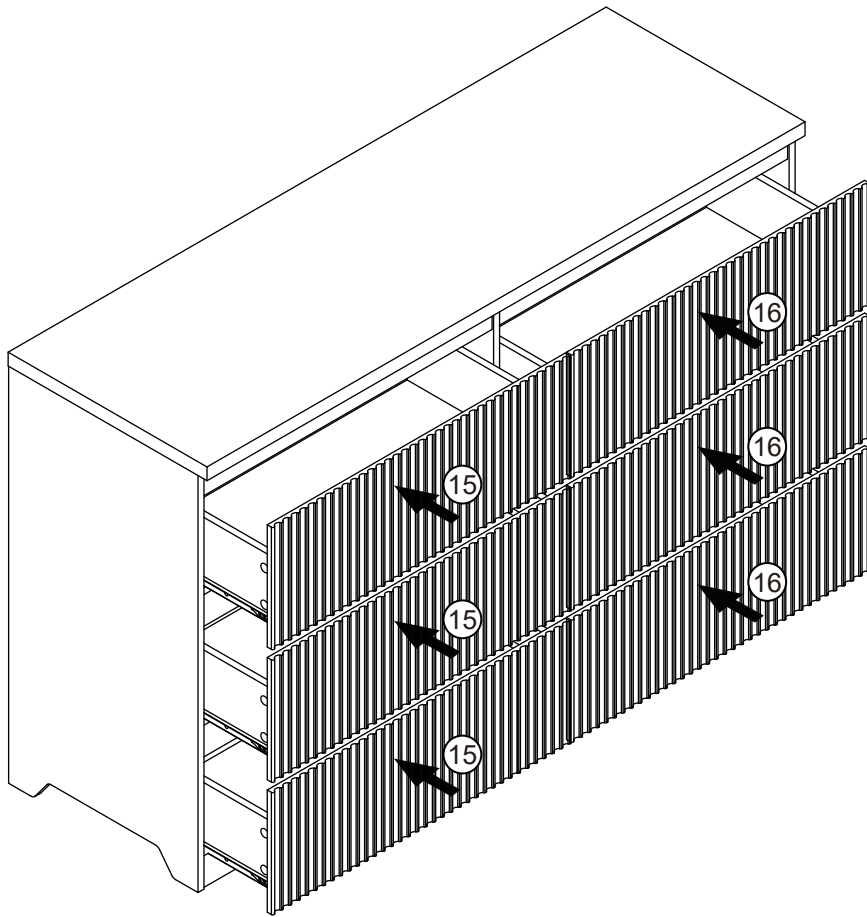


Step 18

x6



Step 19



Step 20

