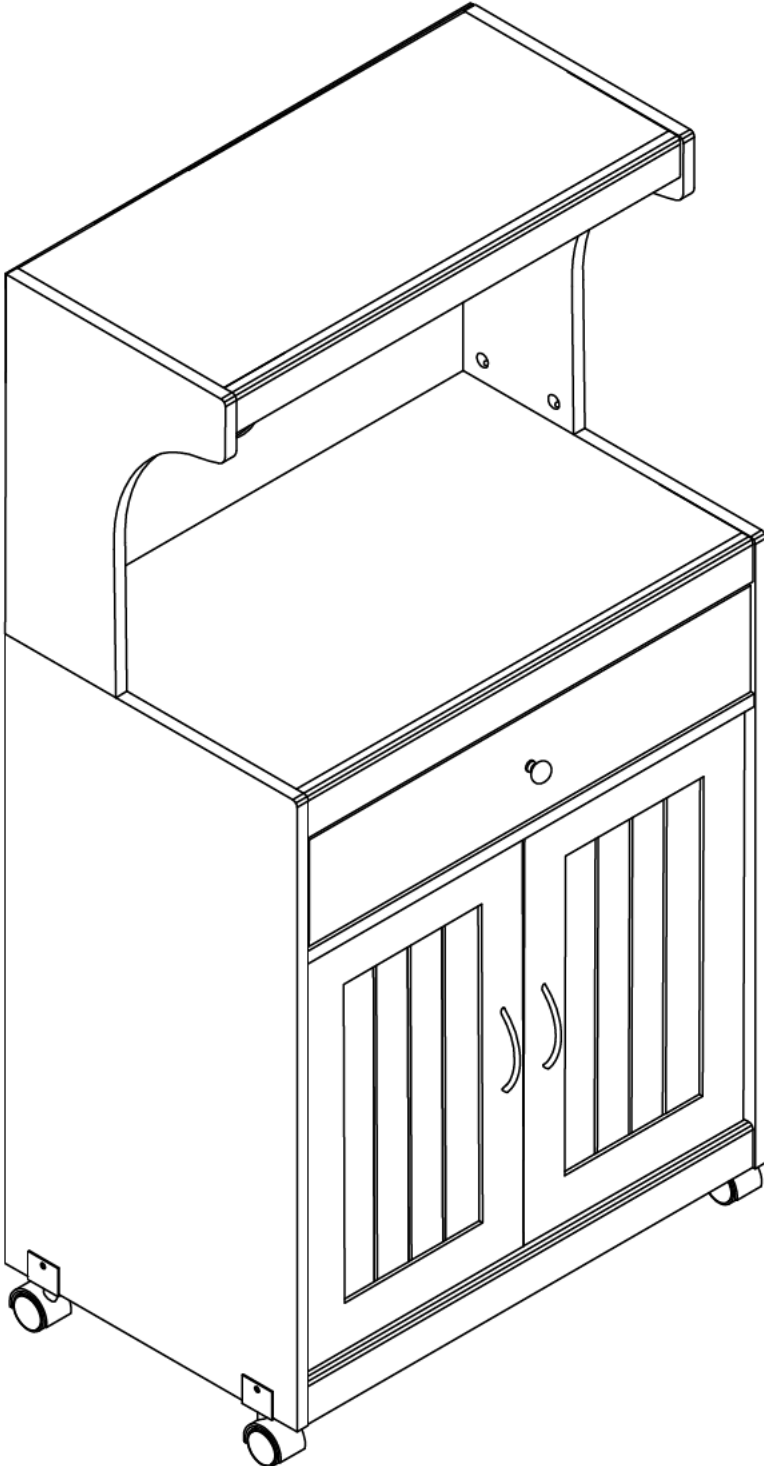
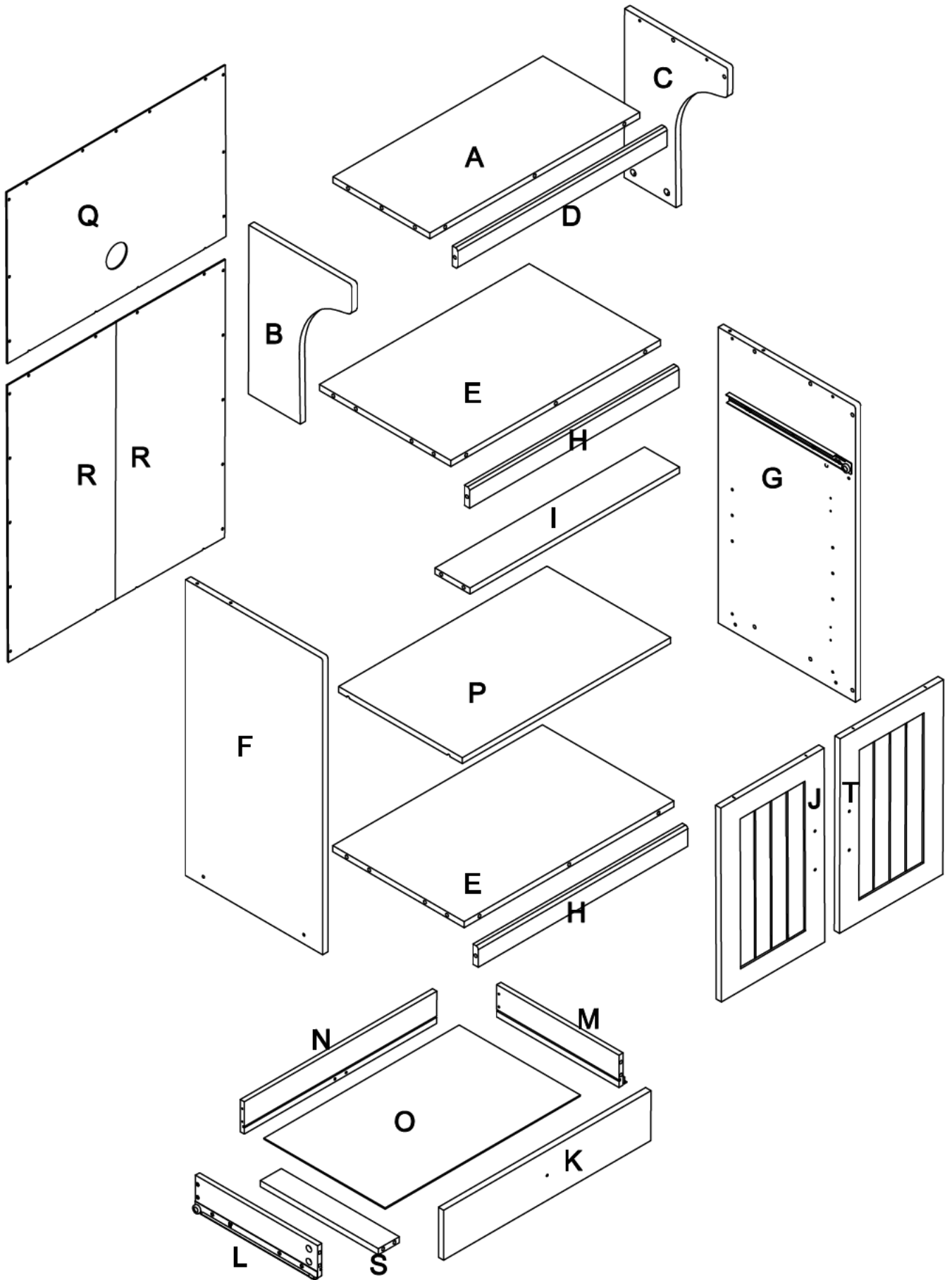






















ASSEMBLY INSTRUCTION



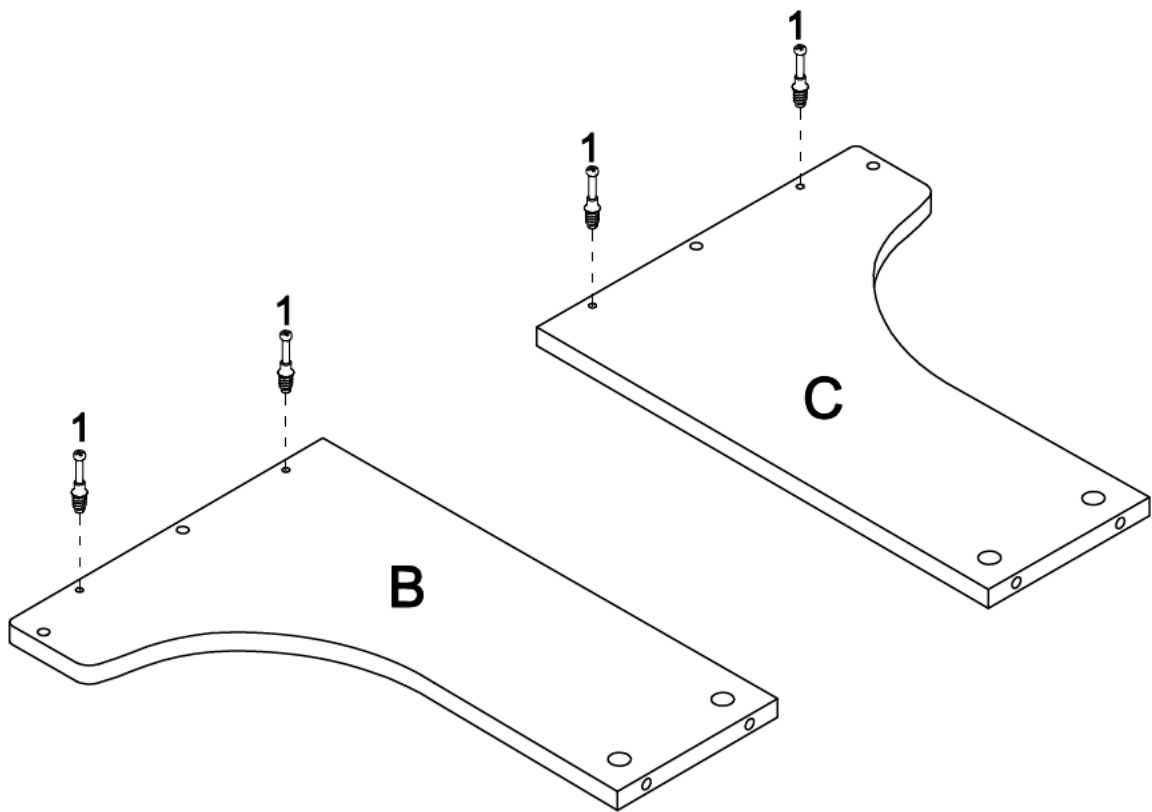
Parts List



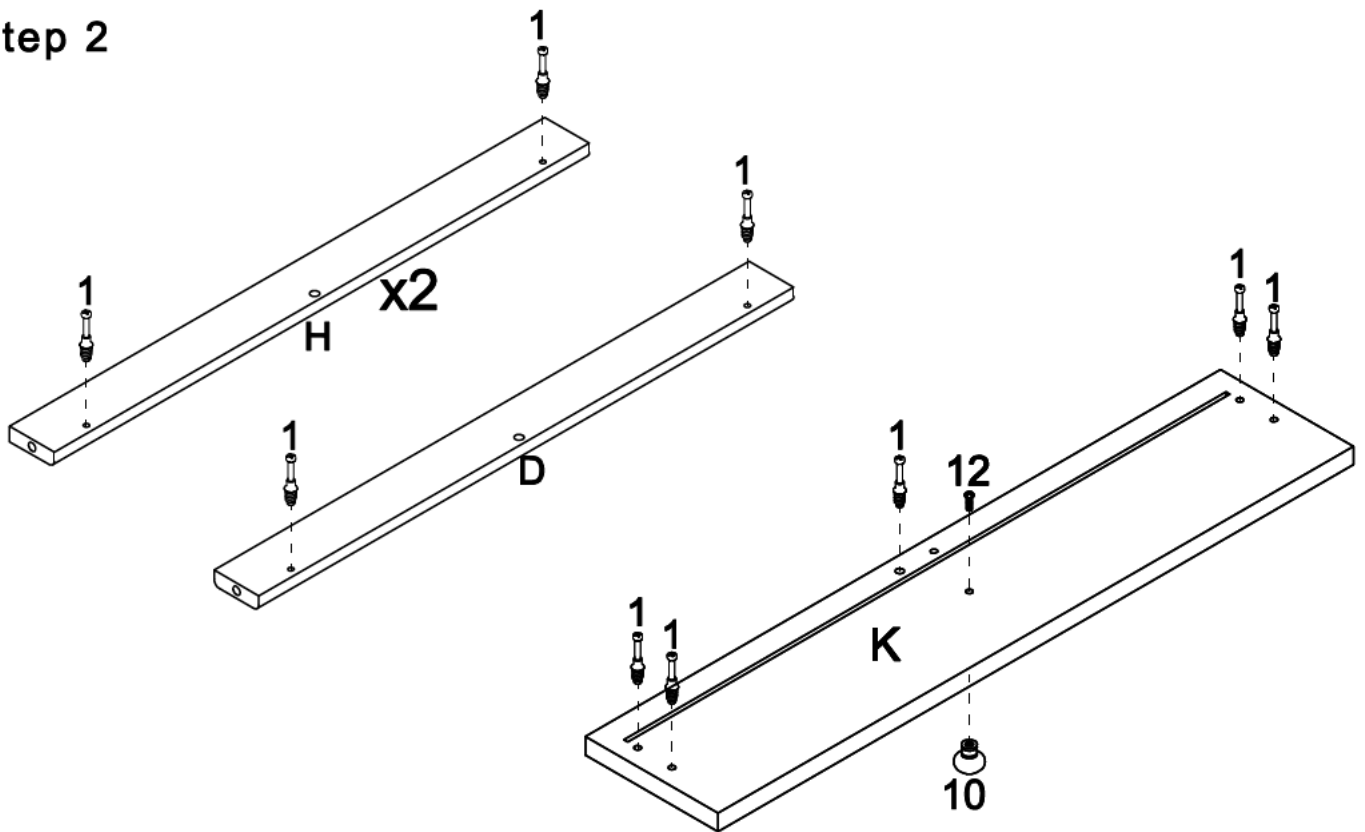
Hardware List

1		Ø5*25mm	Bolt	29 pcs
2		Ø15*11mm	Nut	25 pcs
3		Ø15*9mm	Nut	4 pcs
4		Ø8*30mm	Wood Dowel	22 pcs
5		Ø5*16mm	Shelf Support	4 pcs
6		Ø26mm	Hinge	4 pcs
7		Ø4*15mm	Screw	16 pcs
8		44x16x12mm	Magnet	1 pcs
9		Ø3.5*15mm	Screw	2 pcs
10		Ø24*24mm	Handle	1 pcs
11		108*40*20mm	Handle	2 pcs
12		5/32*20mm	Bolt	5 pcs
13		40mm	Pulley	2 pcs
14		40mm	Pulley	2 pcs
15		5/32mm	Screw	4 pcs
16		Ø4*25mm	Screw	6 pcs
17		Ø3*15mm	Screw	30 pcs
18			Glue	1 pc
19		30x22x1mm	Iron Sheet	2 pcs
20		Ø2*12mm	Screw	2 pcs

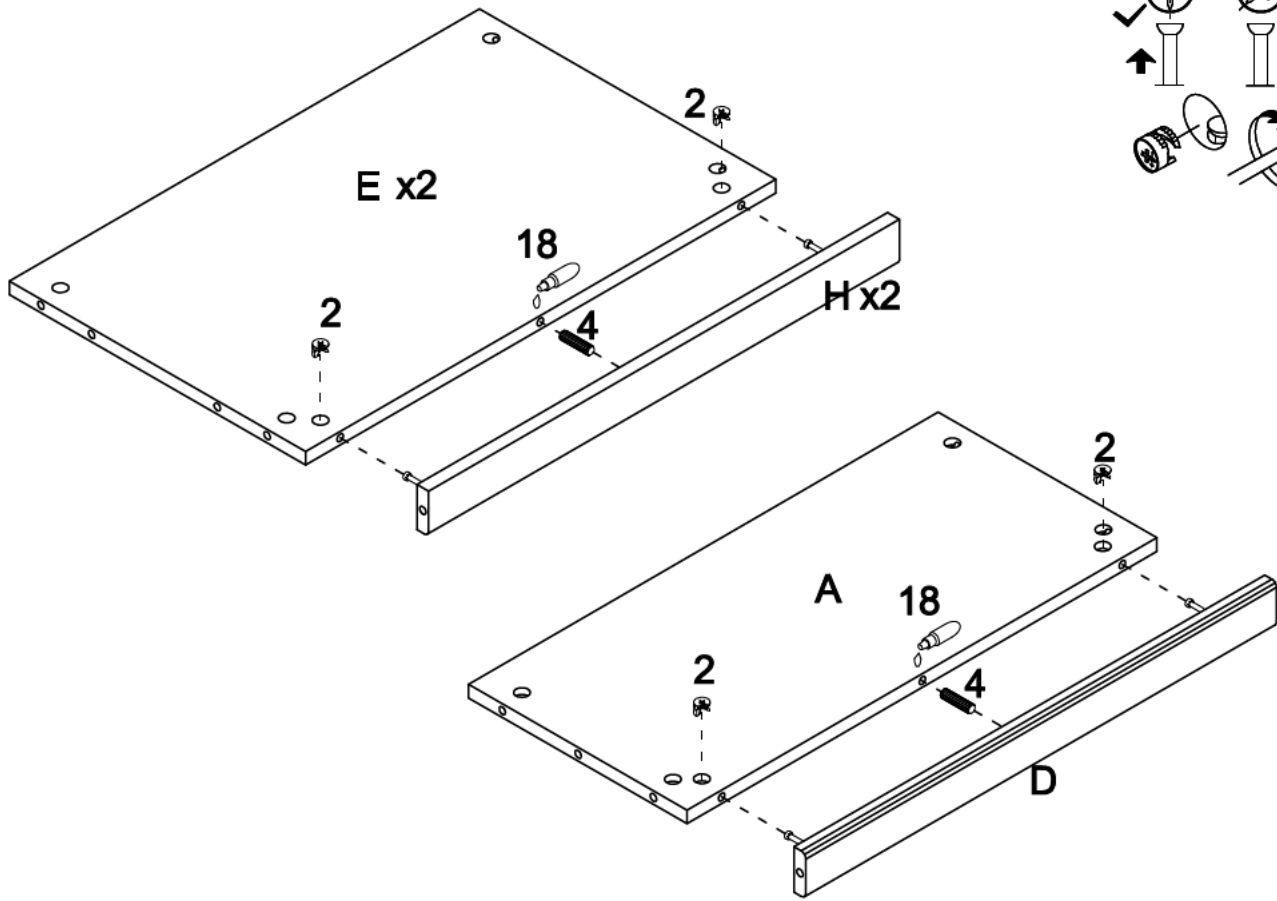
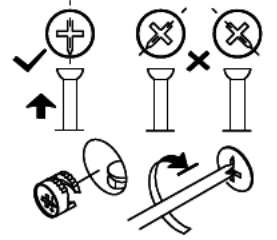
Step 1



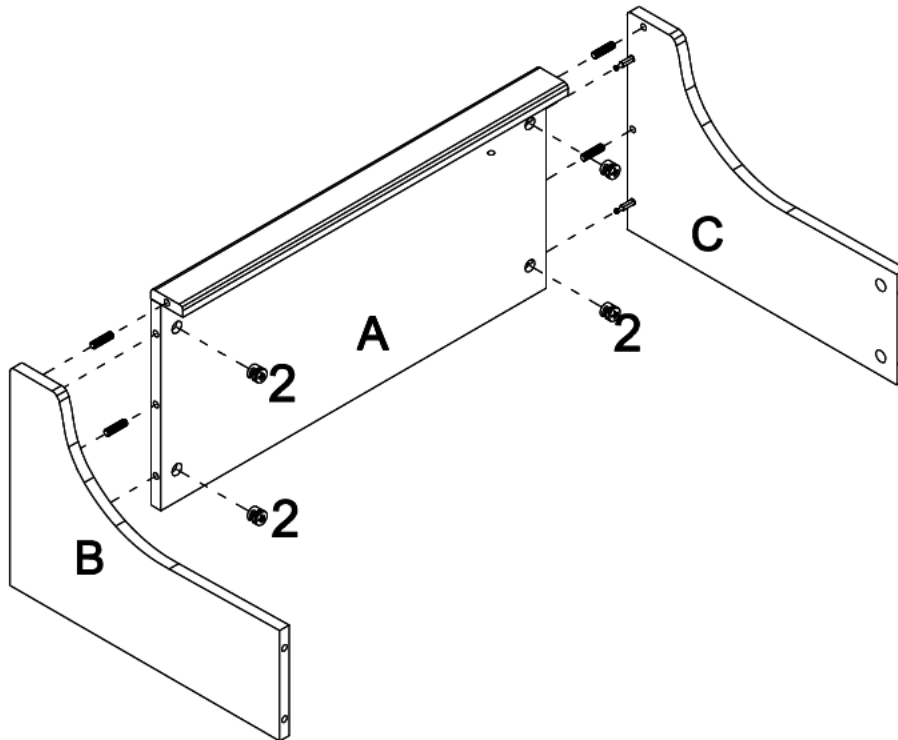
Step 2



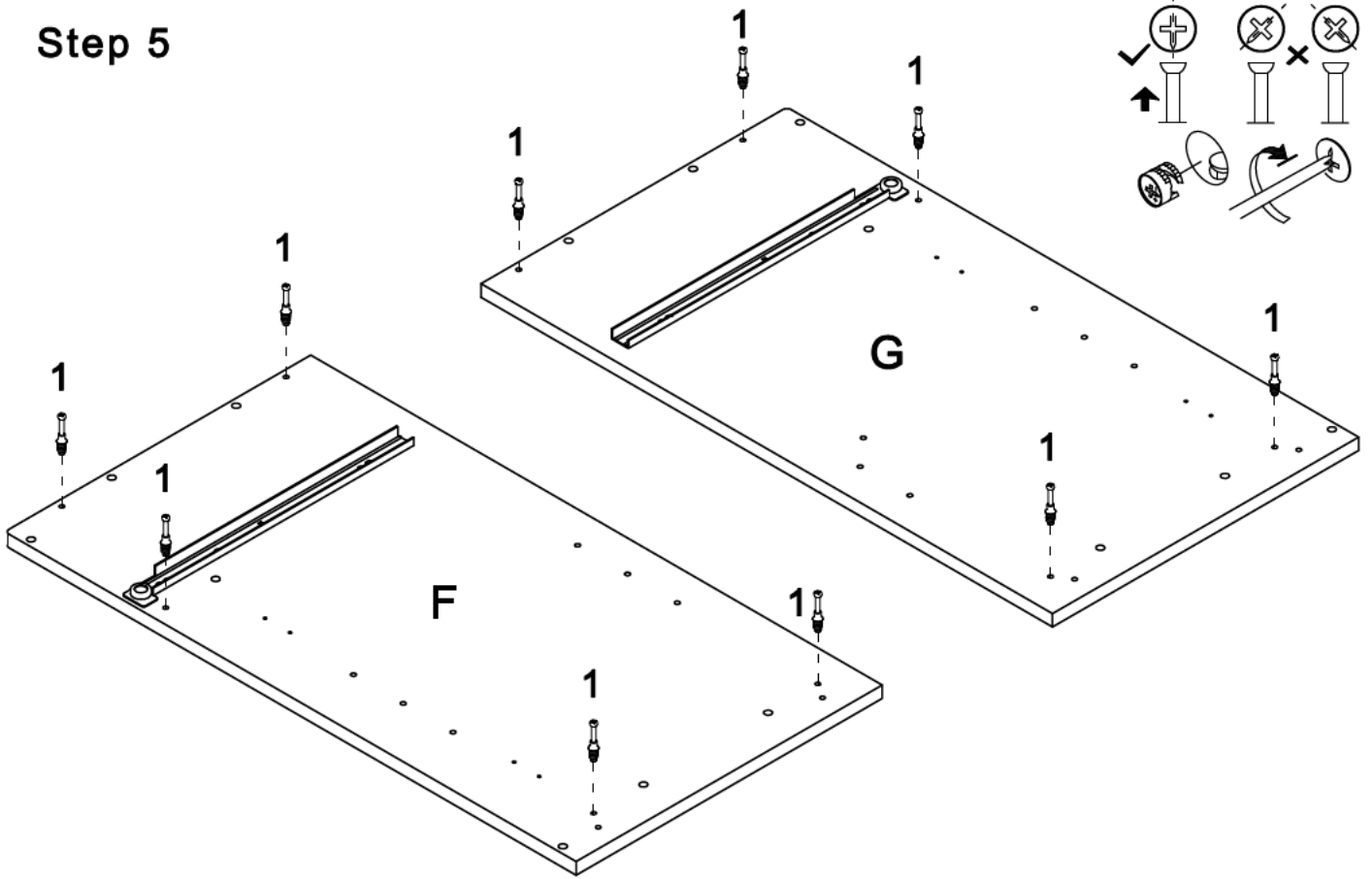
Step 3



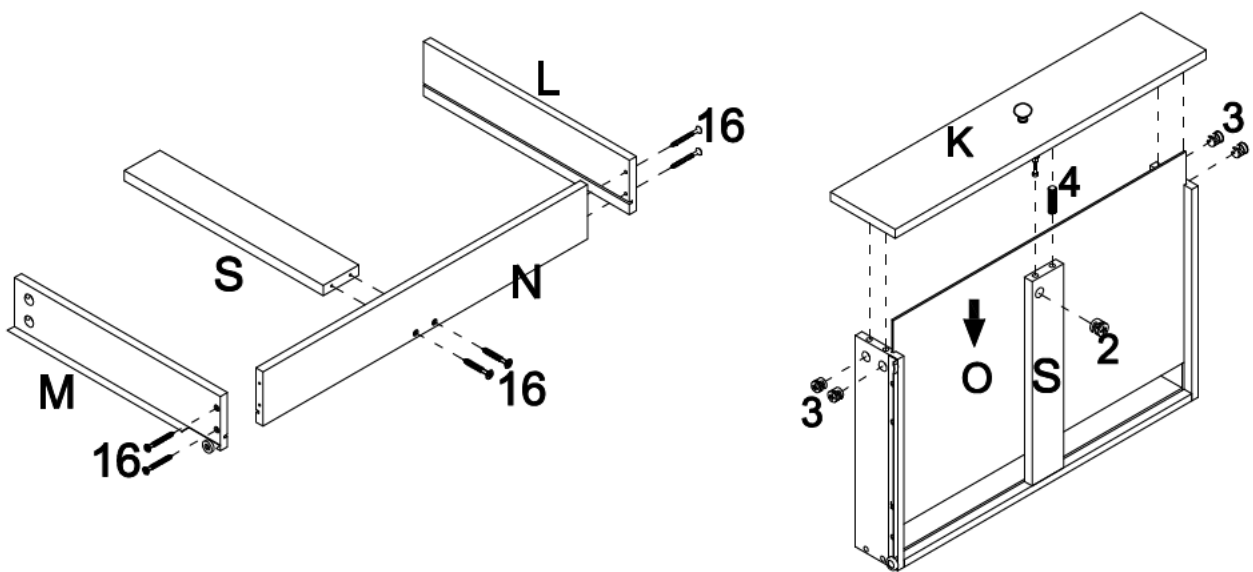
Step 4



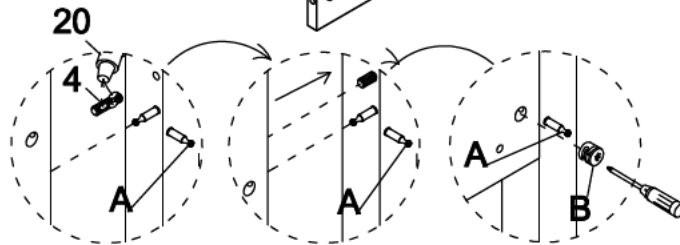
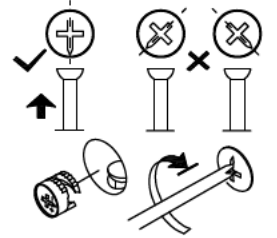
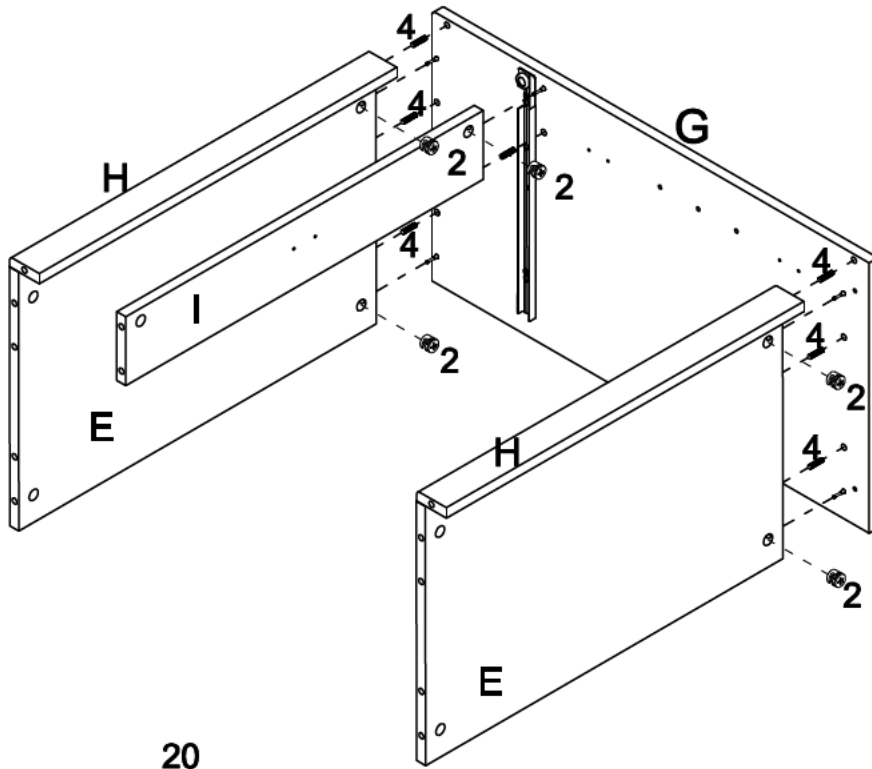
Step 5



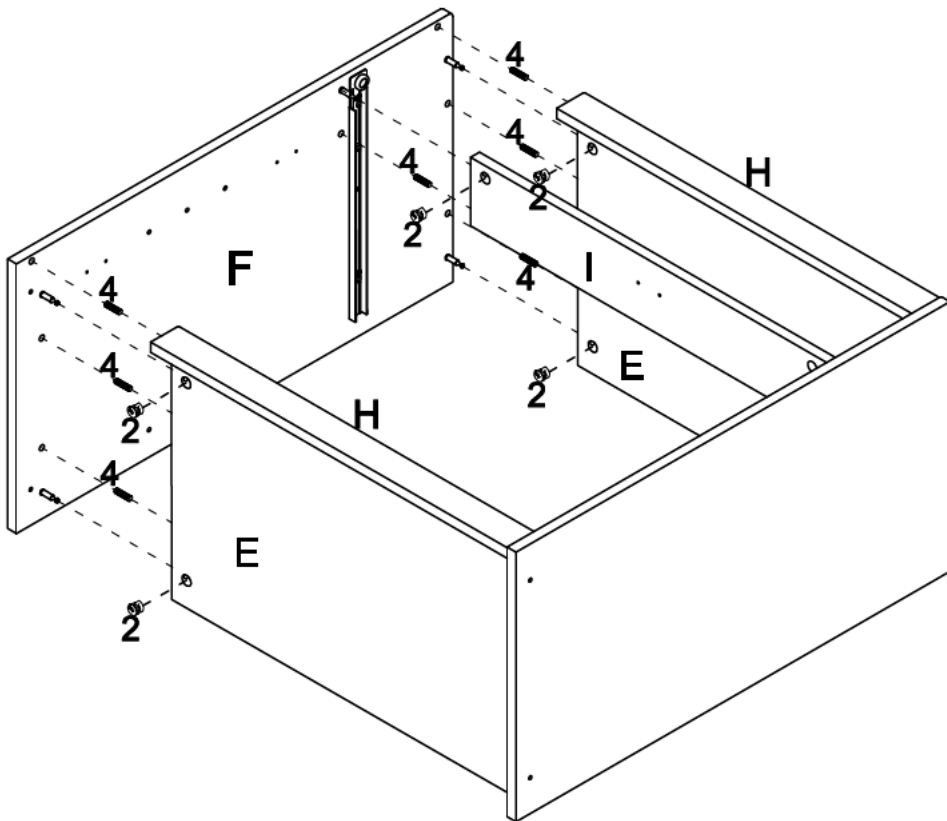
Step 6



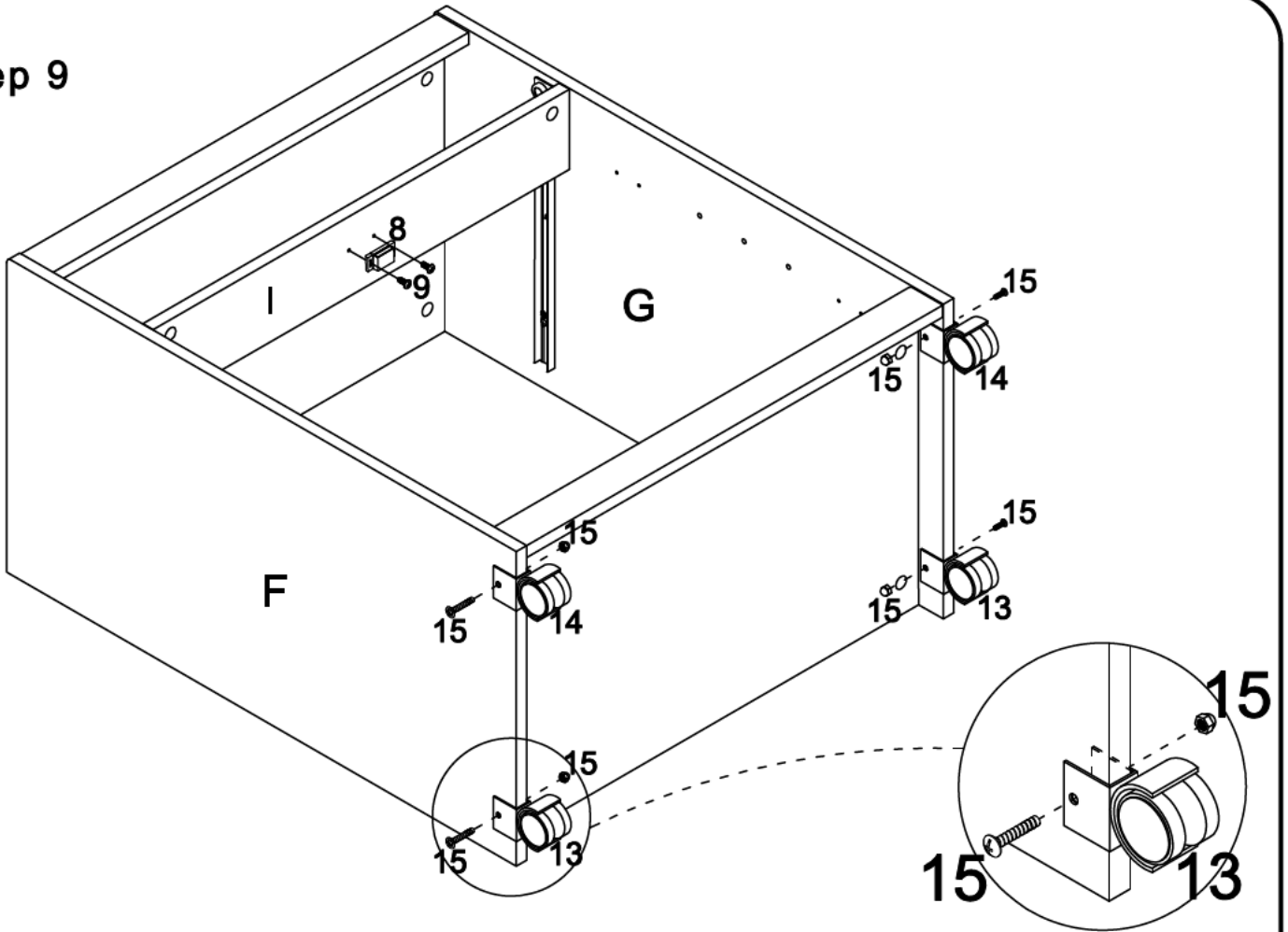
Step 7



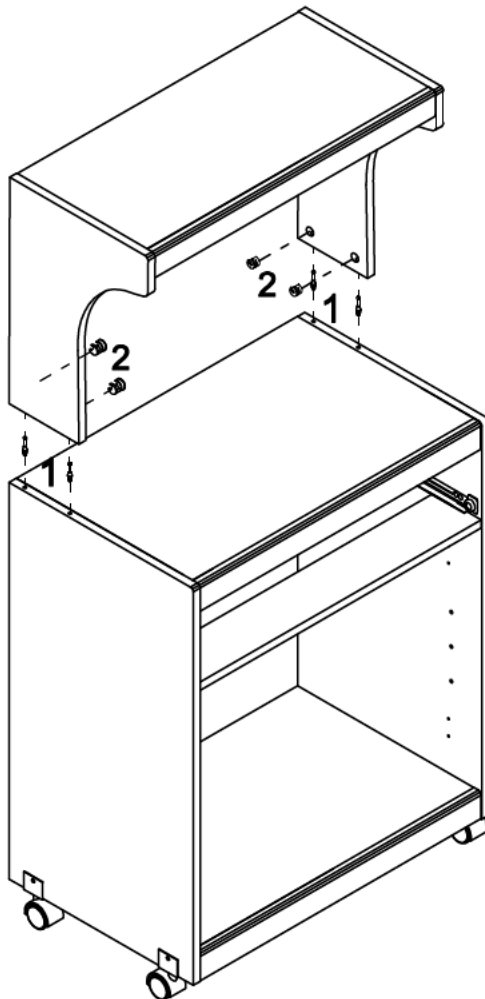
Step 8



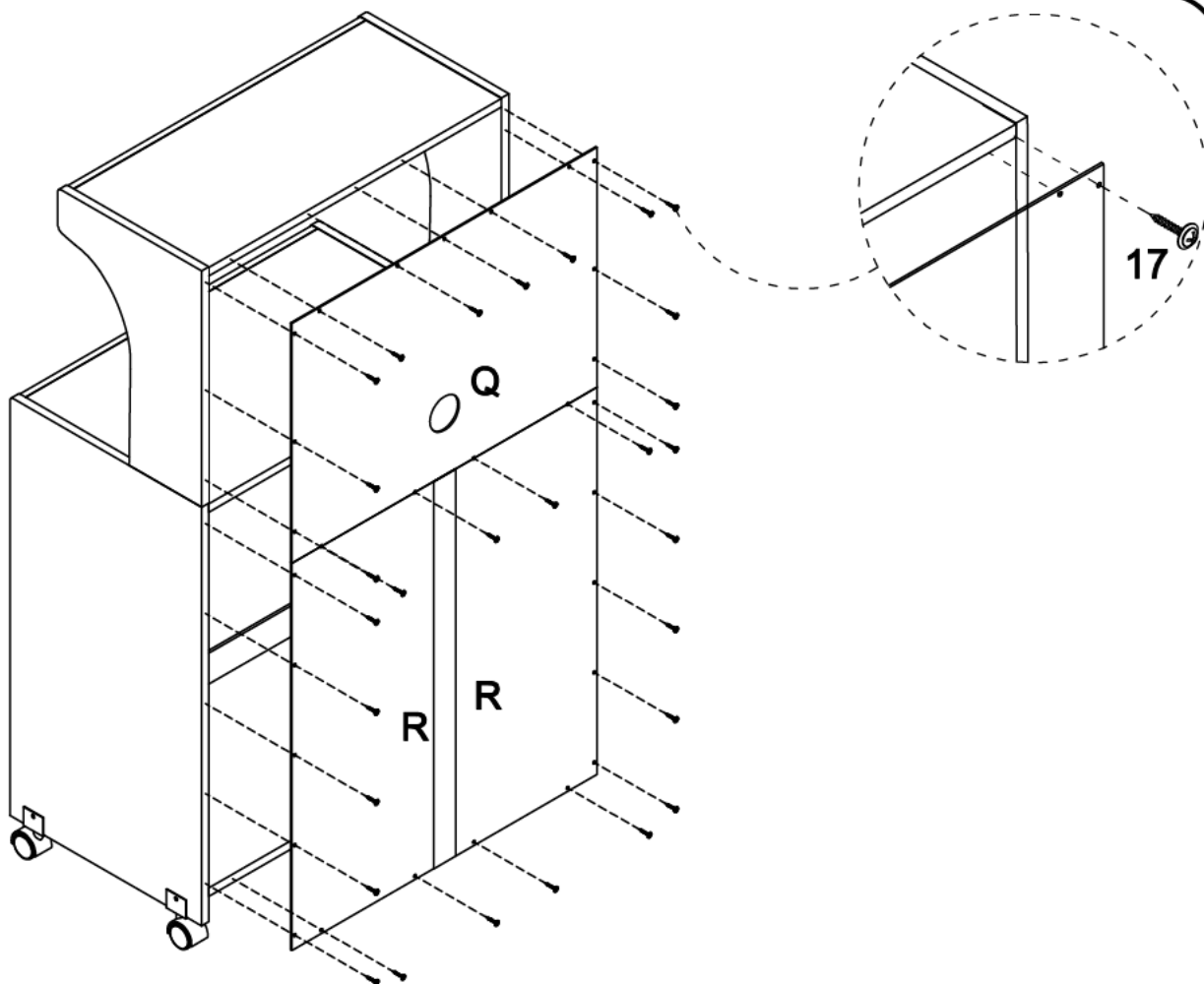
Step 9



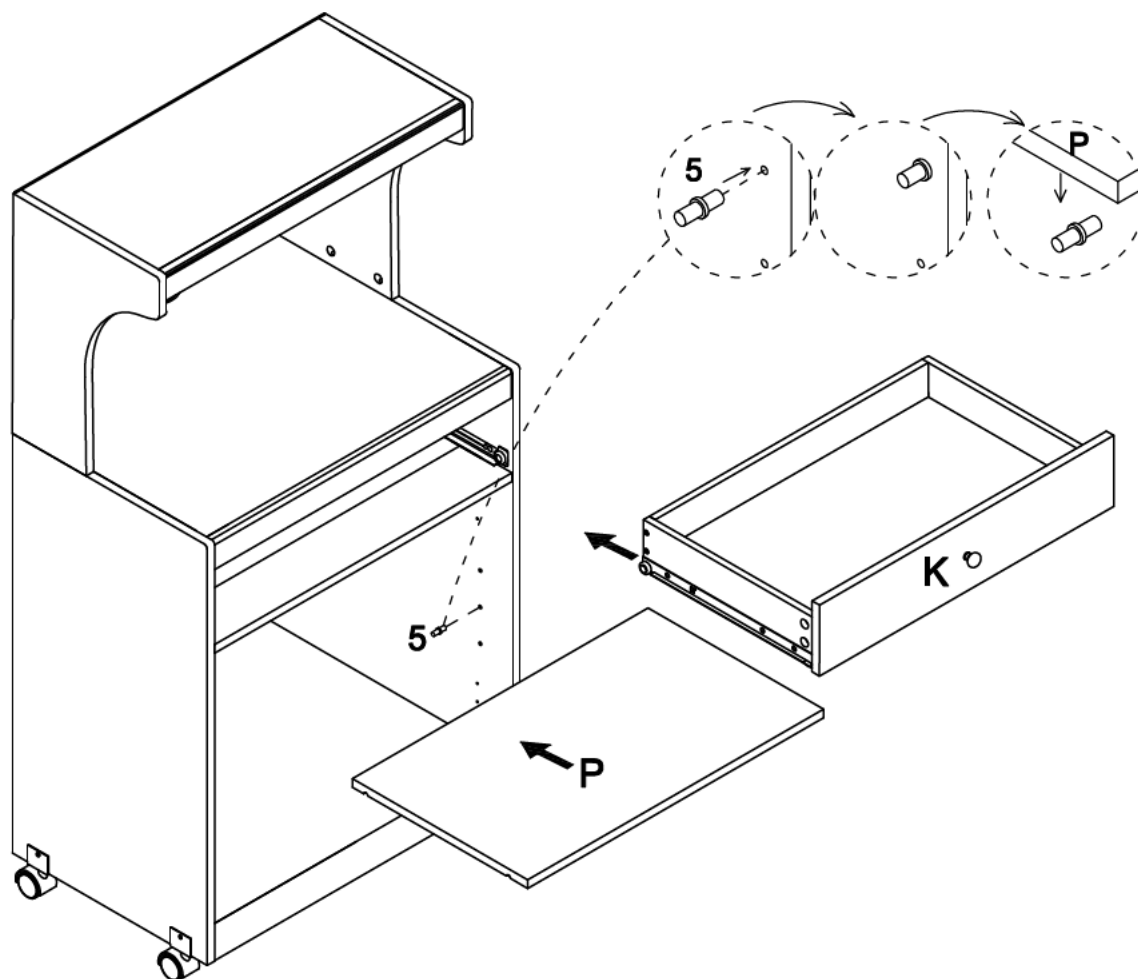
Step 10



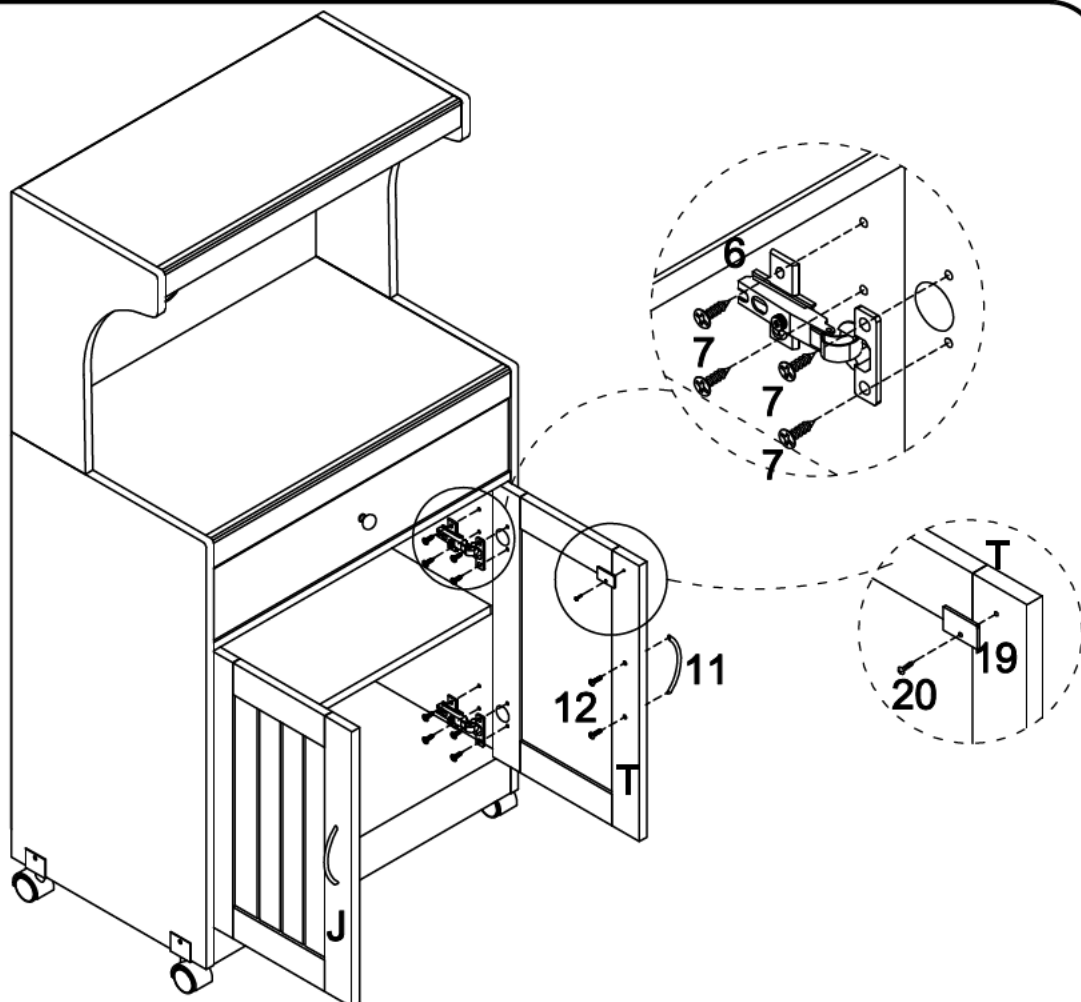
Step 11



Step 12



Step 13



Step 14

