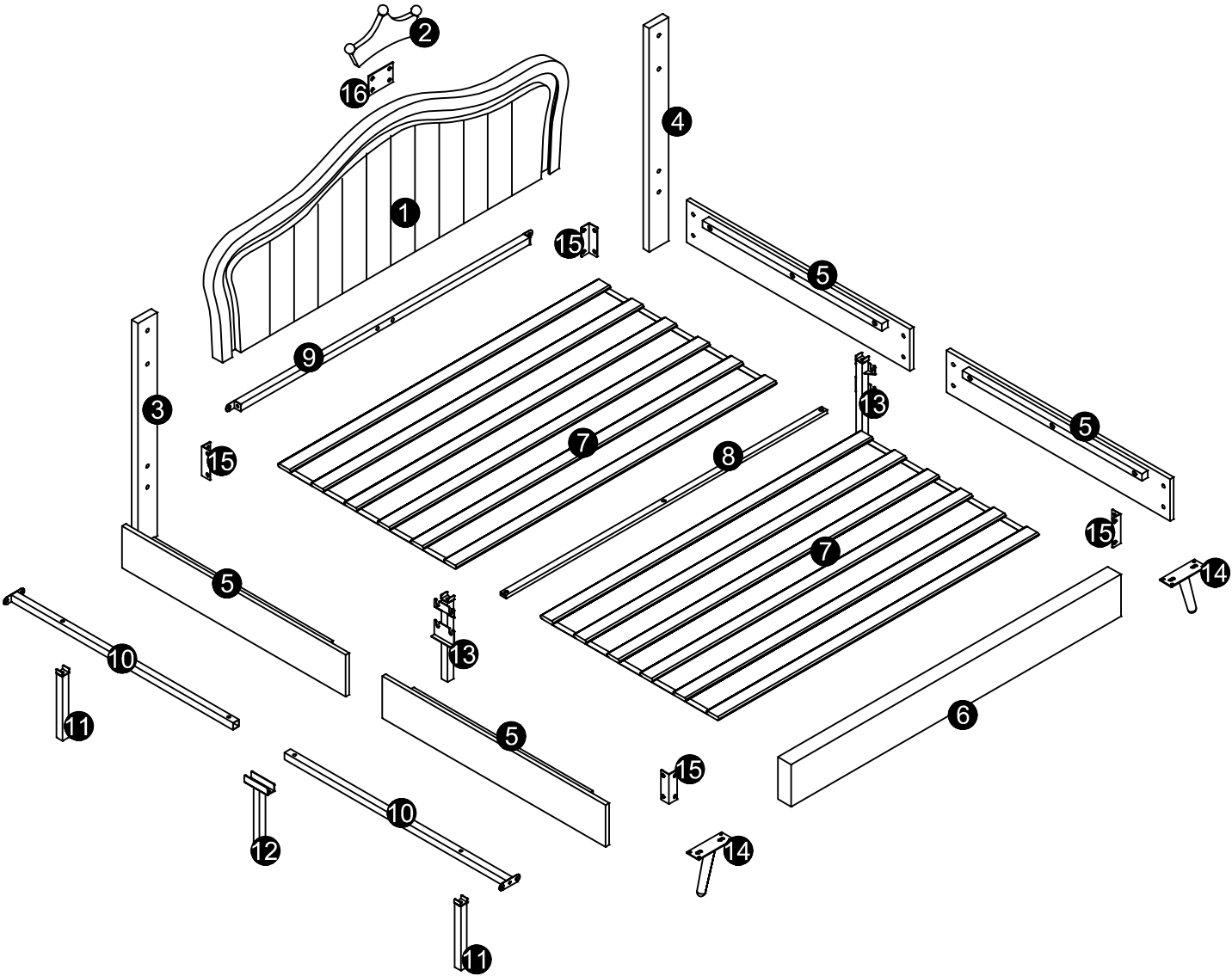
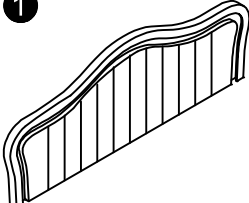


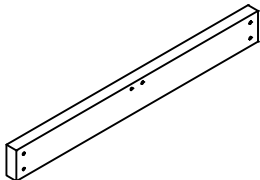
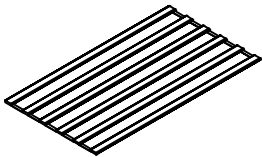
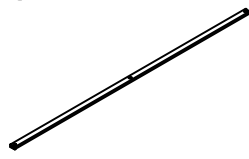
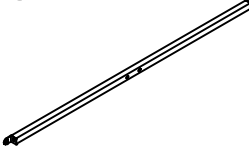
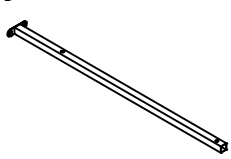


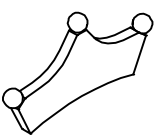
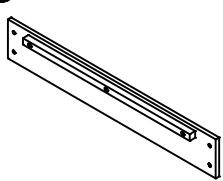

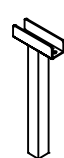
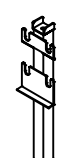
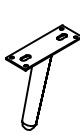
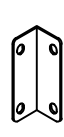
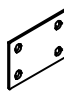
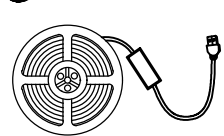



## TIPS

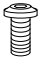
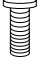
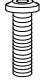
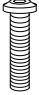


1. This product is divided into 2 parcels for delivery. They may not arrive at the same time. Please wait patiently.
2. Please read the instructions fully before assembly. These instructions include important information which could ensure correct assembly. We have been working on providing high quality products for you. However, in the rare instance that your product is defective, missing parts or there are some issues, please don't hesitate to contact our customer service to submit parts requirements, assembly suggestion, or warranty claims, and we will give the best solution as soon as possible. If necessary, we need you to provide some more clear pictures of the issue.
3. Insert the screws in holes and tighten the screws, but not too tight, 70%~80% is ok, finally tighten all the screws. If some issues happened that some screws can not target to the hole or some parts are difficult to install, please adjust the tightness of the screws.
4. 2 people are recommended to finish.



<b>1</b>  1PC	<b>3</b>  1PC	<b>4</b>  1PC	<b>6</b>  1PC	<b>7</b>  2PCS
<b>8</b>  1PC	<b>9</b>  1PC	<b>10</b>  2PCS		

<p><b>2</b></p>  <p>1PC</p>	<p><b>5</b></p>  <p>4PCS</p>	<p><b>11</b></p>  <p>2PCS</p>	<p><b>12</b></p>  <p>1PC</p>	<p><b>13</b></p>  <p>2PCS</p>
<p><b>14</b></p>  <p>2PCS</p>	<p><b>15</b></p>  <p>4PCS</p>	<p><b>16</b></p>  <p>1PC</p>	<p><b>17</b></p>  <p>Light strip 1PC</p>	<p><b>18</b></p>  <p>Remote control 1PC</p>

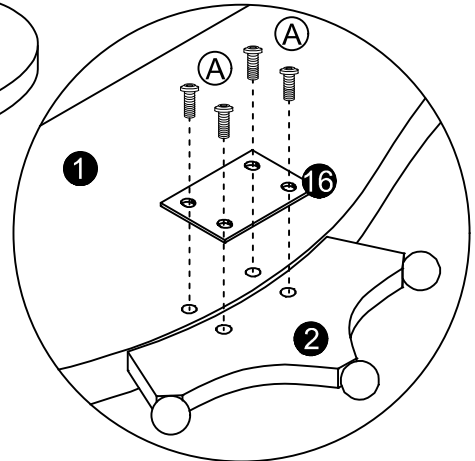
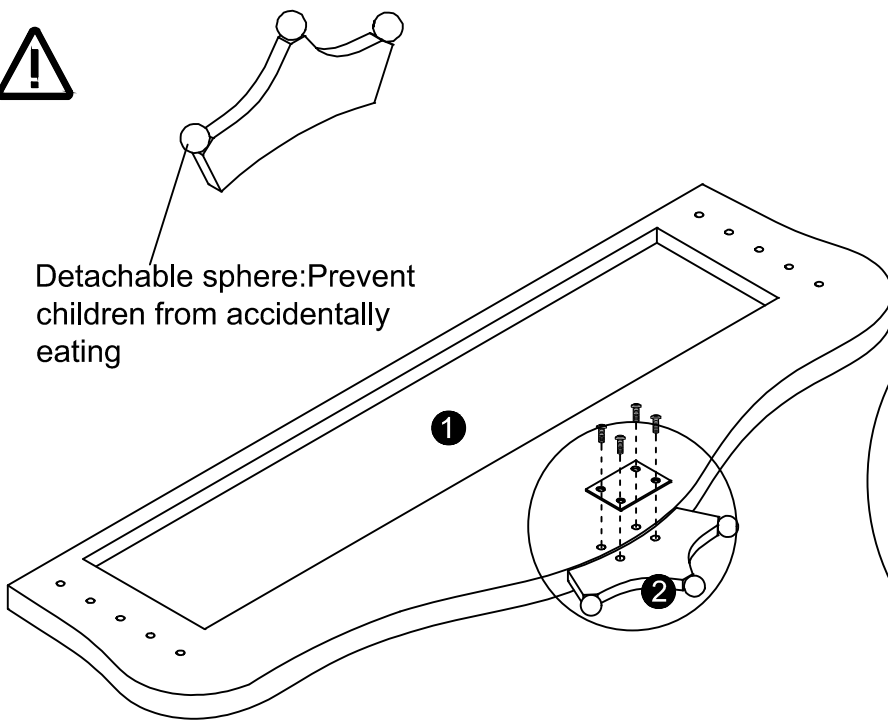
1/2

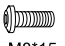
<p>(A)</p>  <p>M8*15 30+2PCS</p>	<p>(B)</p>  <p>M8*20 10+1PCS</p>	<p>(C)</p>  <p>M8*35 4+1PCS</p>	<p>(D)</p>  <p>M8*40 5+1PCS</p>	<p>(E)</p>  <p>M8*Ø22 9PCS</p>
<p>(F)</p>  <p>M8 1PC</p>				

1

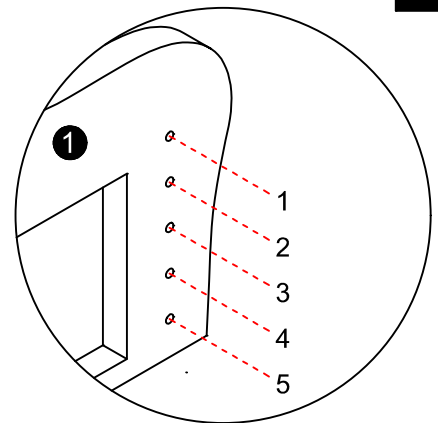
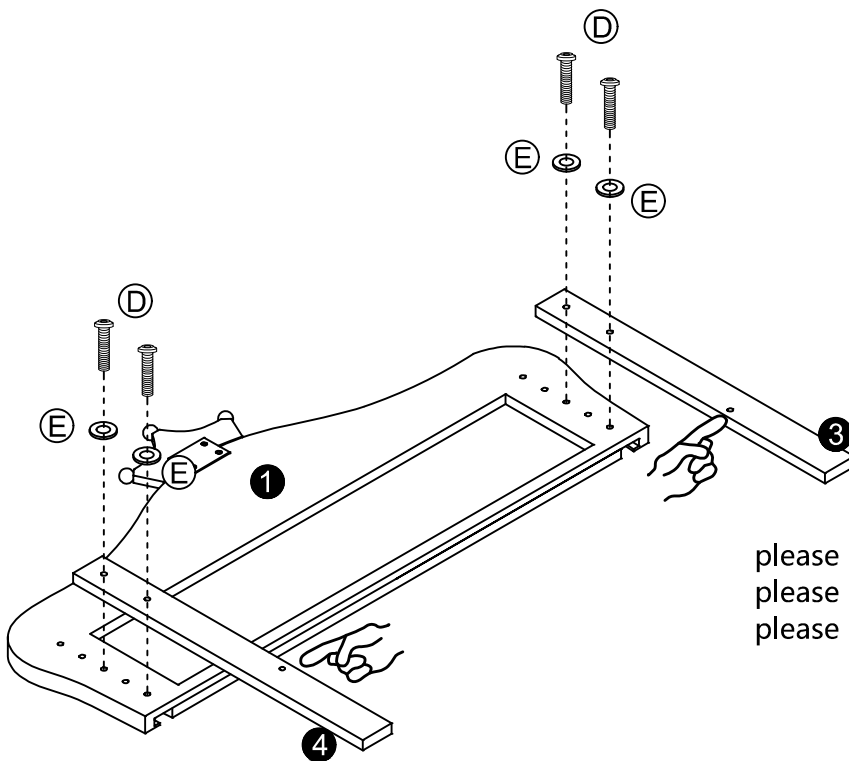


Detachable sphere: Prevent children from accidentally eating

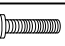



(A)		4PCS
	M8*15	

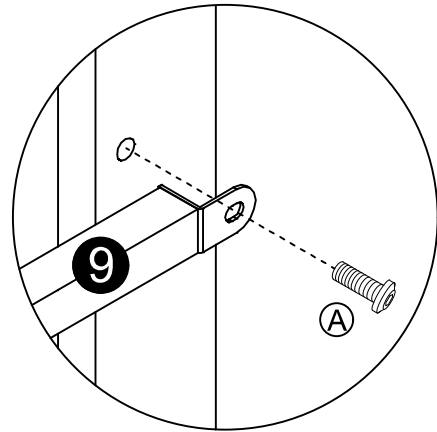
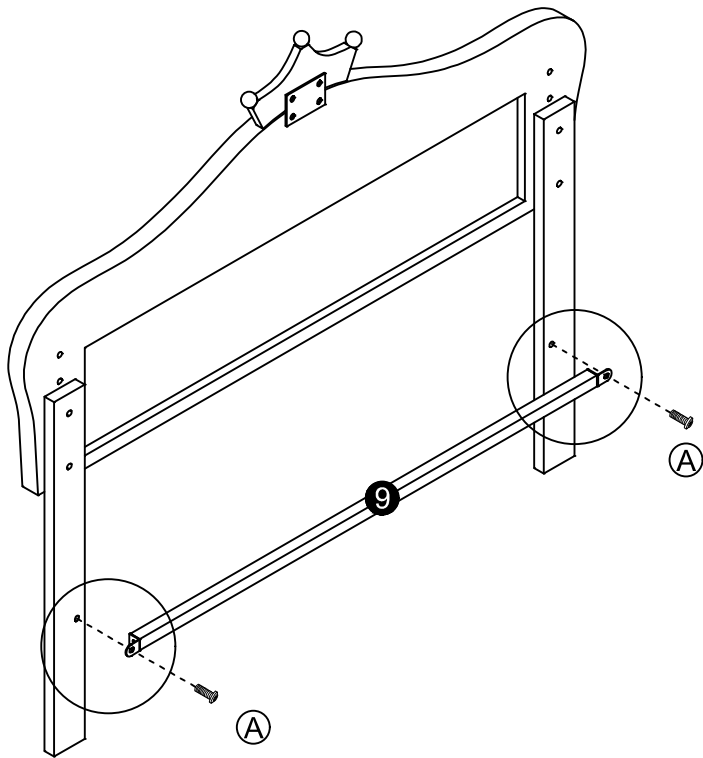
2

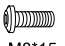


please lock position 1 and 3 for normal height  
please lock position 2 and 4 for heightening  
please lock position 3 and 5 for heightening

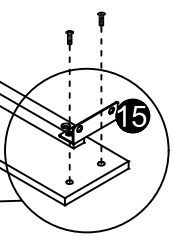
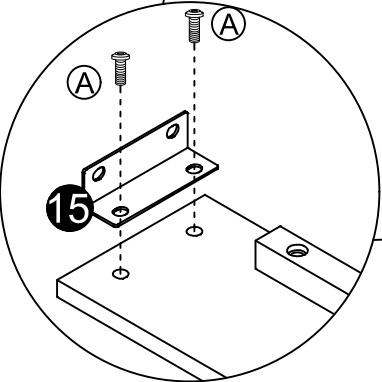
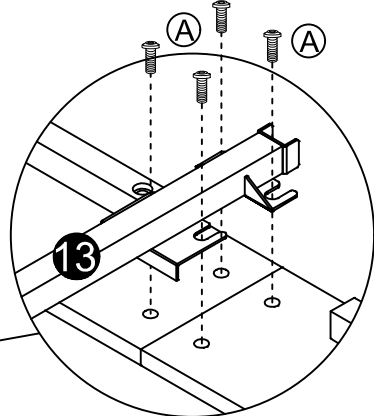
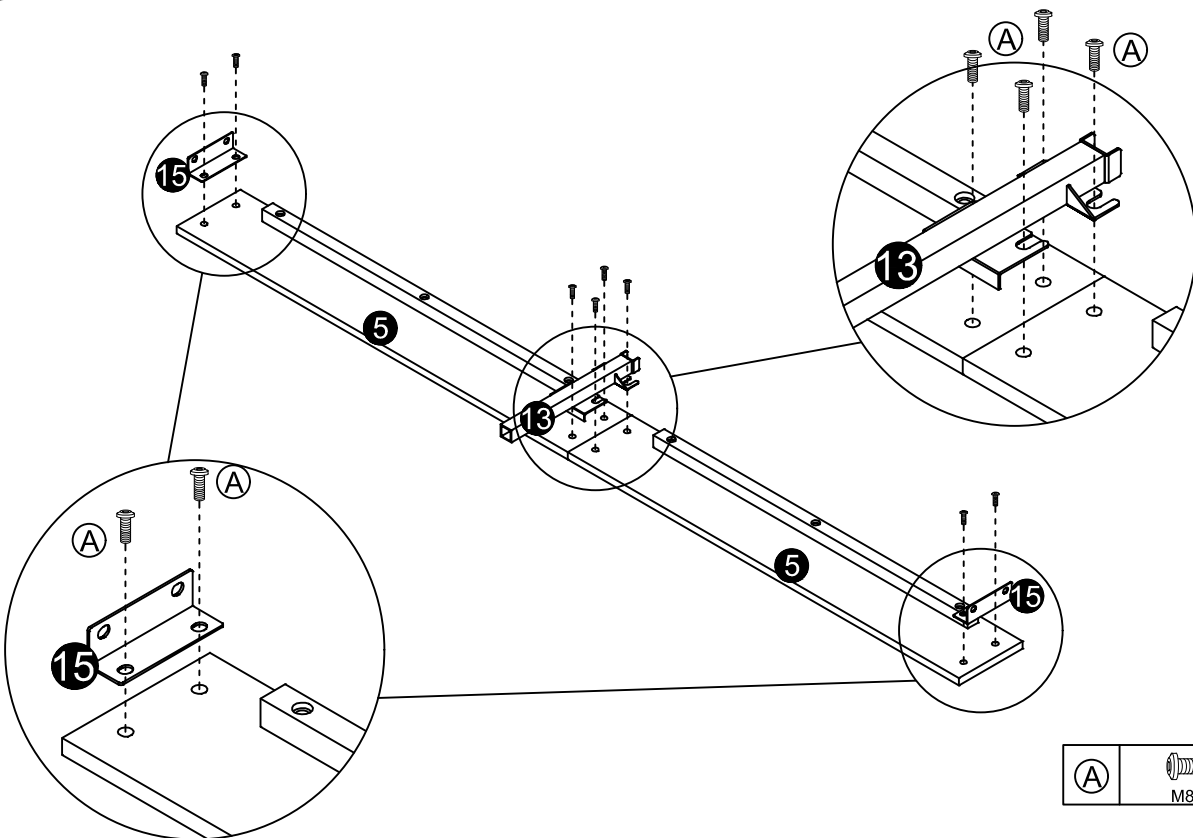
(D)		4PCS
	M8*45	
(E)		4PCS
	M8*Ø22	

3




(A)		2PCS
	M8*15	

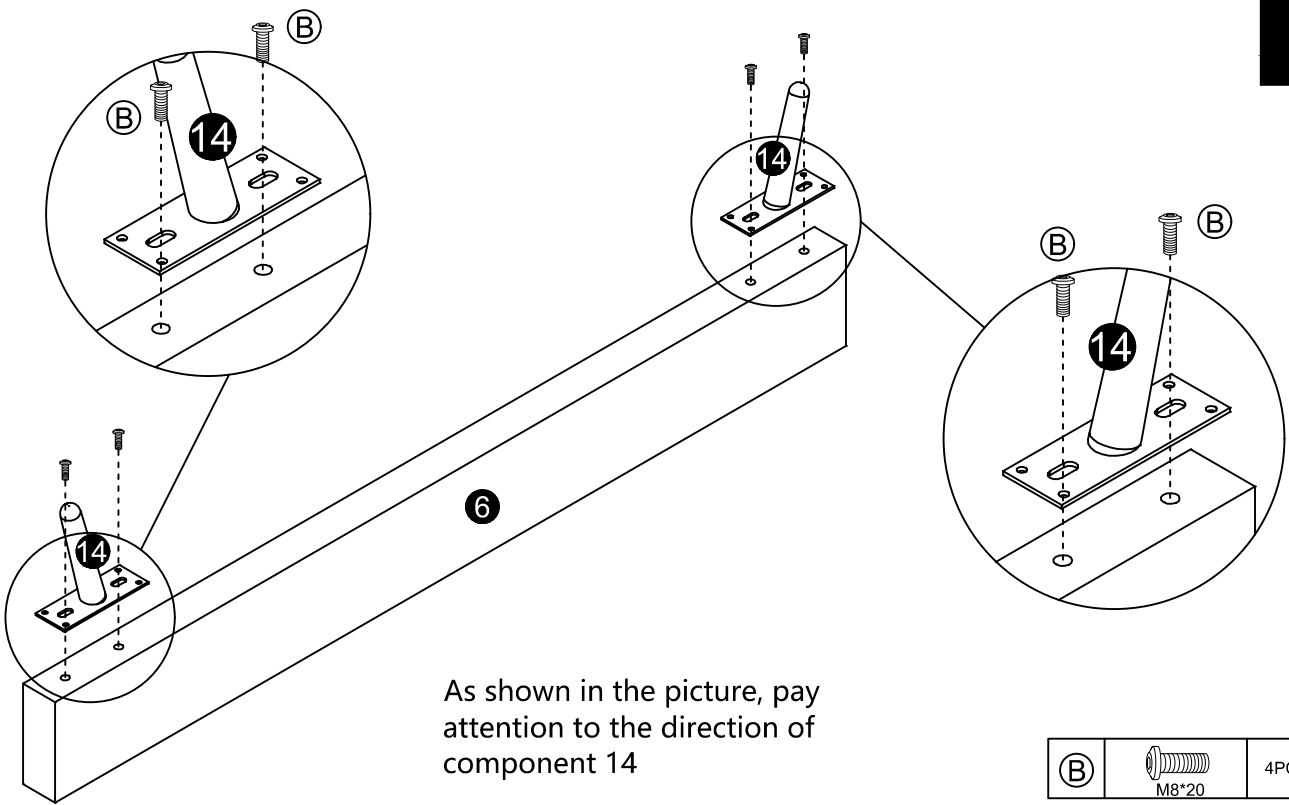
4



X2

(A)		16PCS
	M8*15	

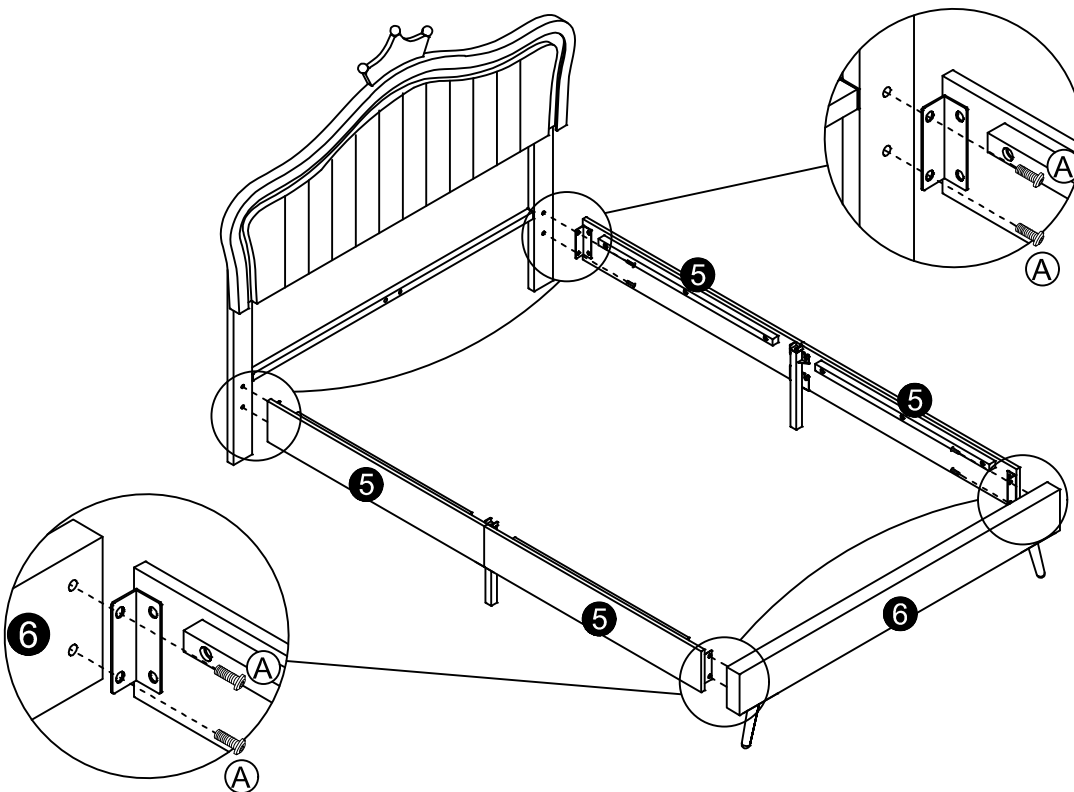
5




As shown in the picture, pay attention to the direction of component 14

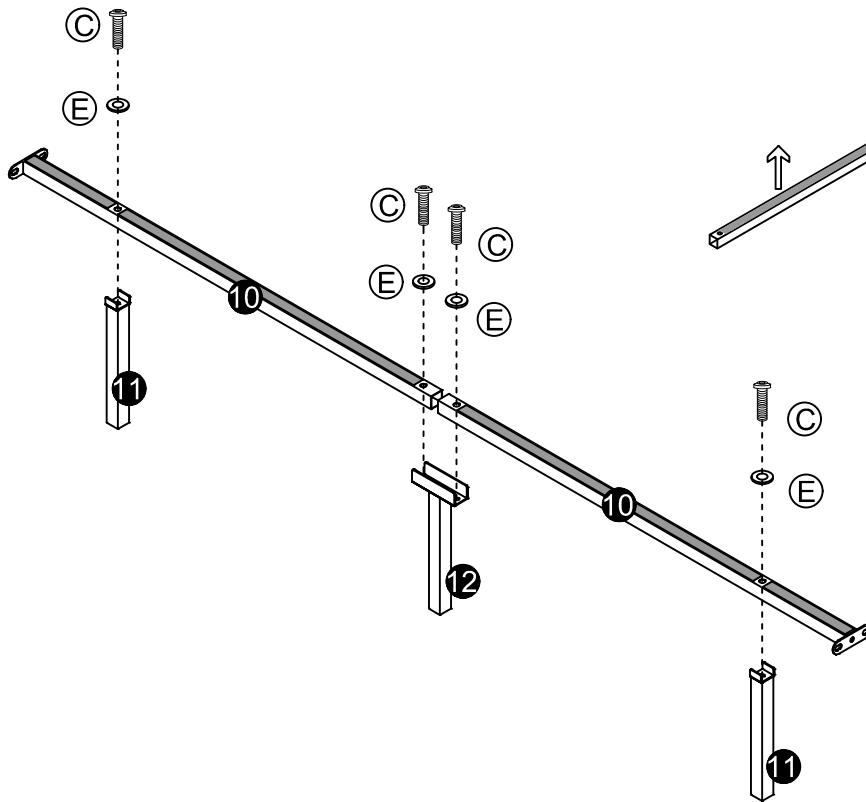
(B)		4PCS
	M8*20	

6

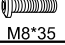



(A)		8PCS
	M8*15	

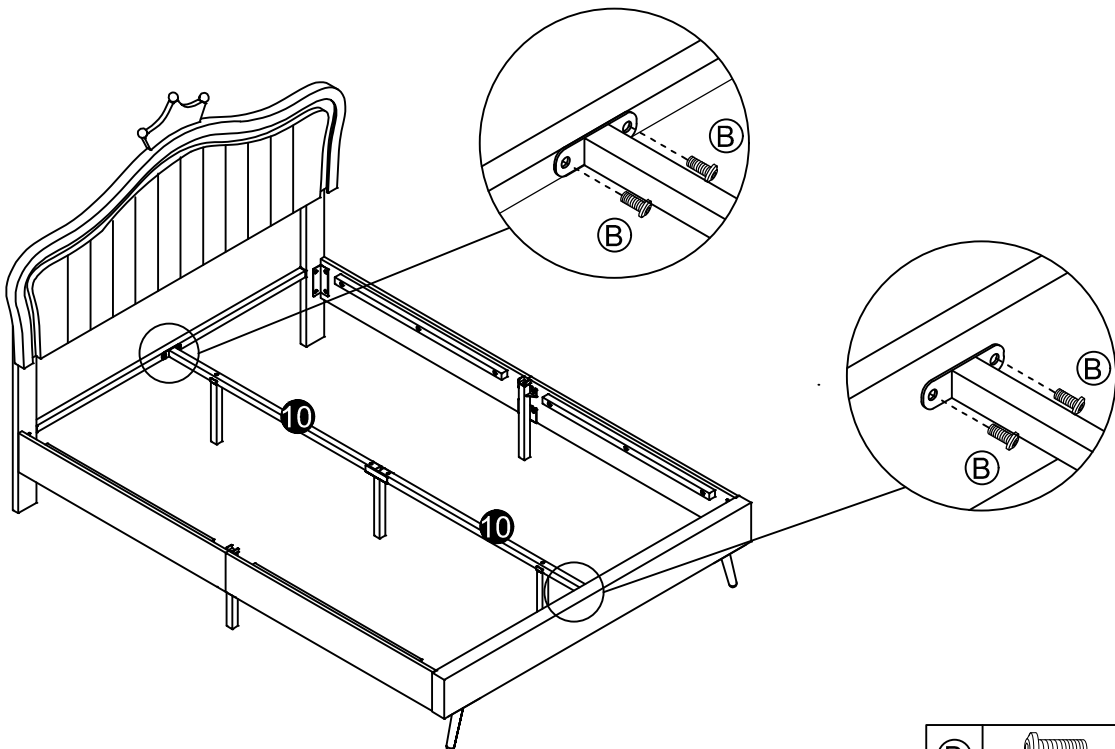
7




Please be sure to pay attention to the fact that there are mute stickers facing upwards during assembly, and the material feels soft to the touch

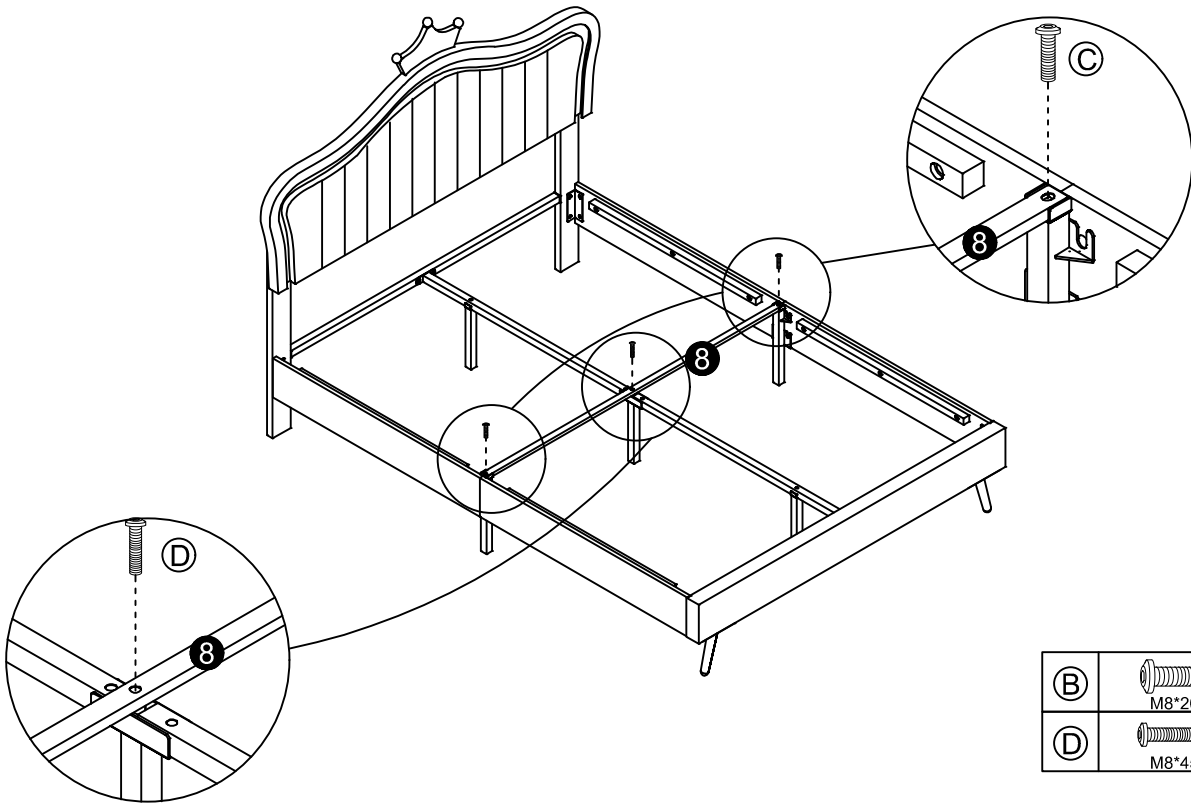
(C)	 M8*35	4PCS
(E)	 M8*Ø22	4PCS



8



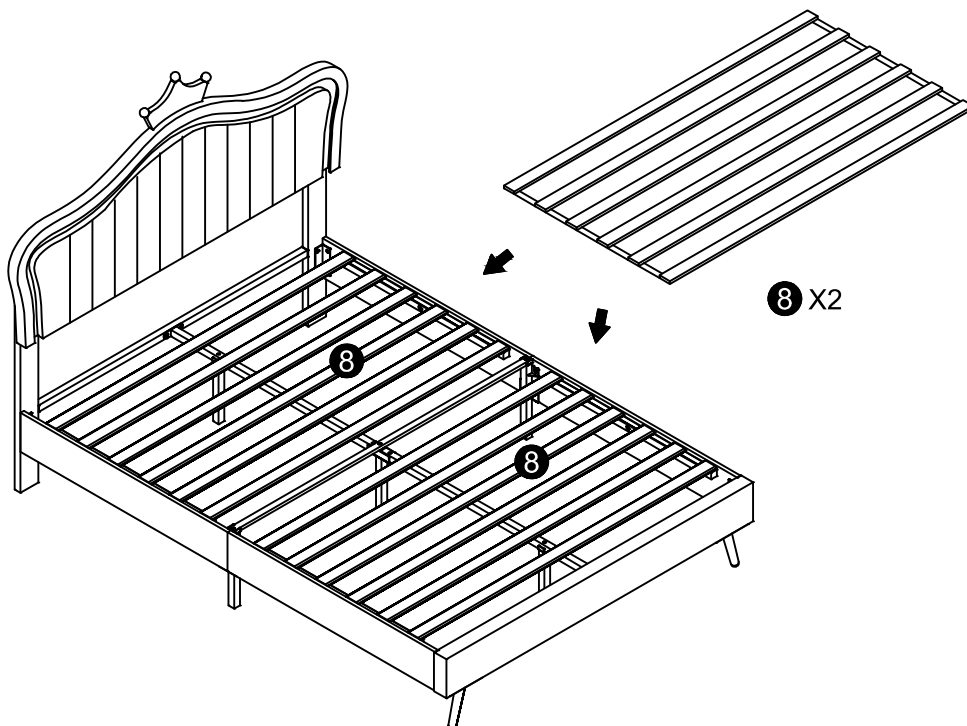
(B)	 M8*20	4PCS
-----	--	------

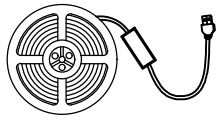
9



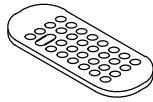
(B)	 M8*20	2PCS
(D)	 M8*45	1PCS

10

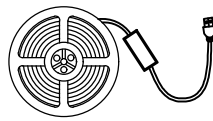




**17** Light strip  
1PC



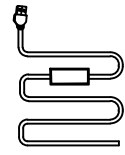
**18** Remote control  
1PC



light strip  
X1

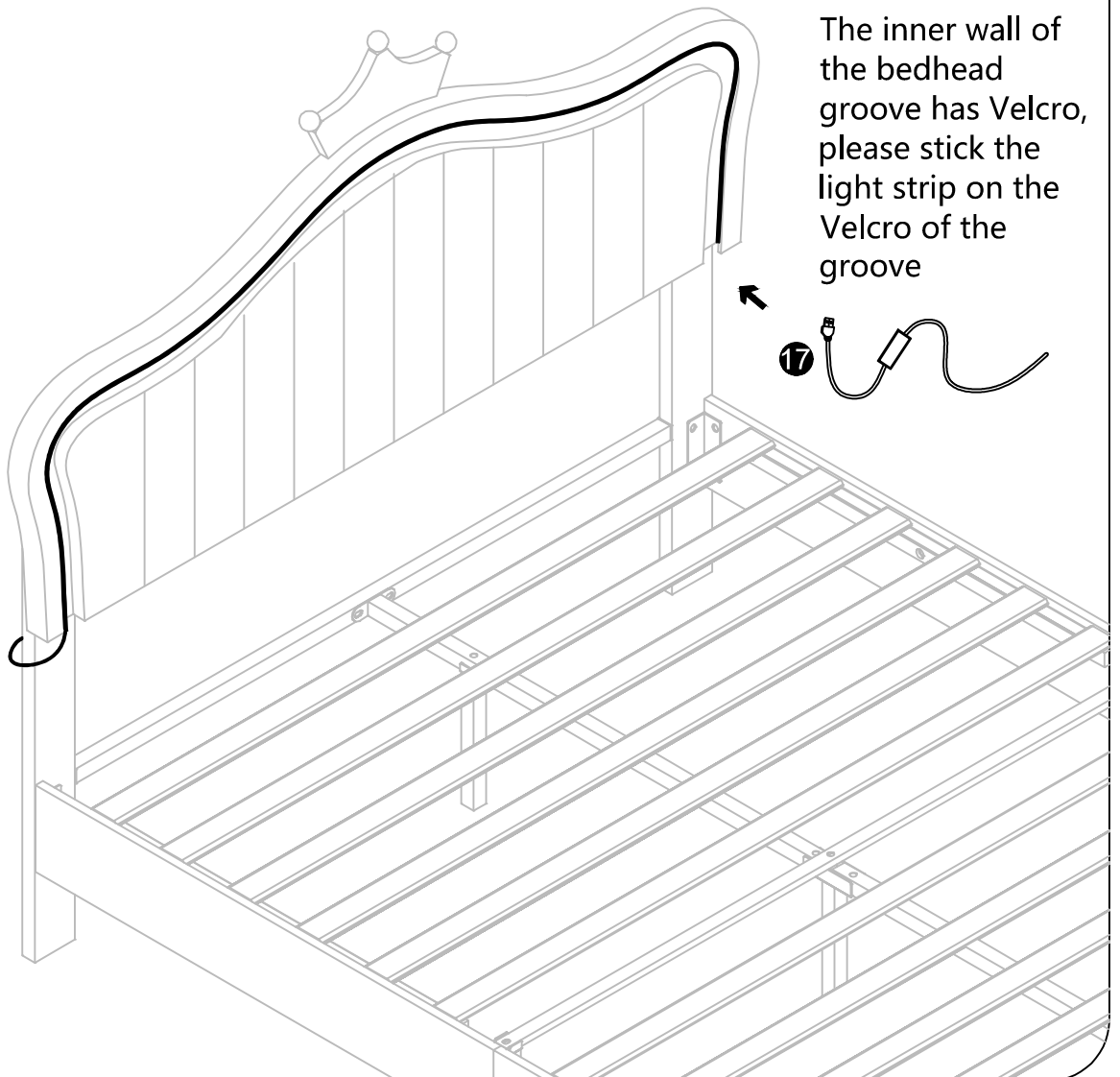


Pull out  
and unfold



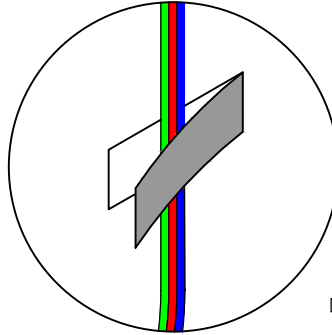
light strip

One side of the light bar is  
Velcro veneer and the  
other side is luminous  
band. Please distinguish it  
carefully. Stick the lamp  
to the top.

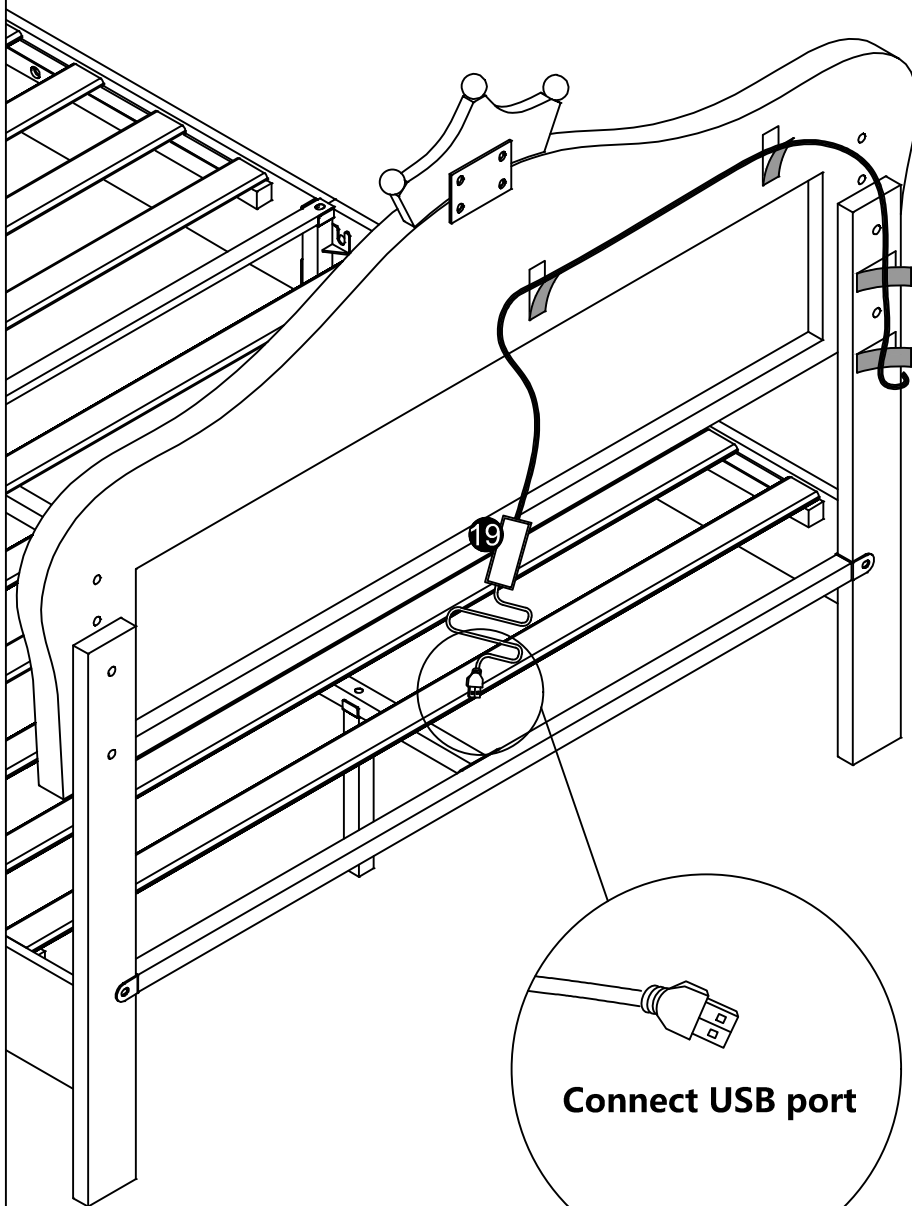
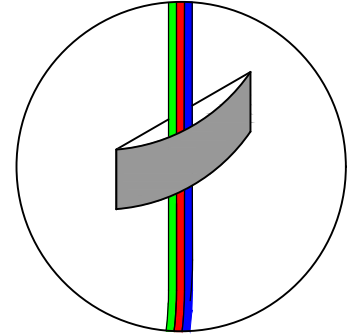


The inner wall of the  
bedhead  
groove has Velcro,  
please stick the  
light strip on the  
Velcro of the  
groove

Clip in the harness  
Magic Band



Stick to



Connect USB port

**NOTE:**The battery in the remote control requires you to purchase and install it yourself.  
**Model:CR2025 3.V**

