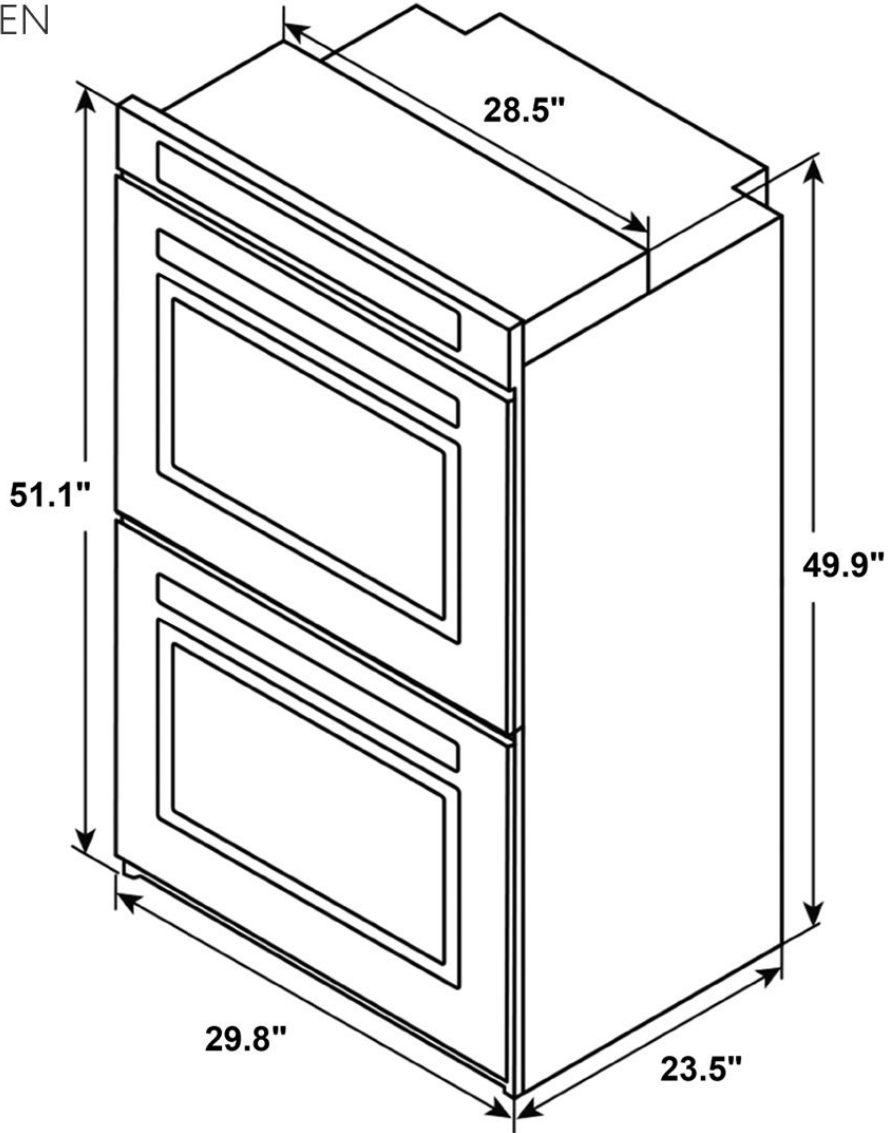




COS-30EDWC

**30 IN. DOUBLE ELECTRIC
WALL OVEN**



Dimensions (WxDxH): 29.8" x 23.5" x 51.1"