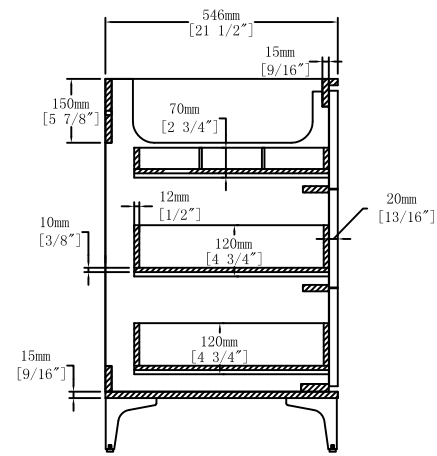
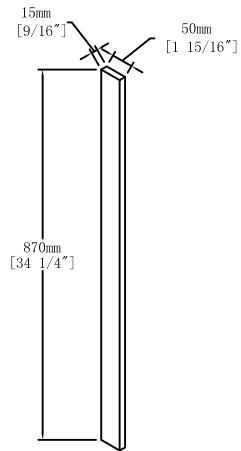


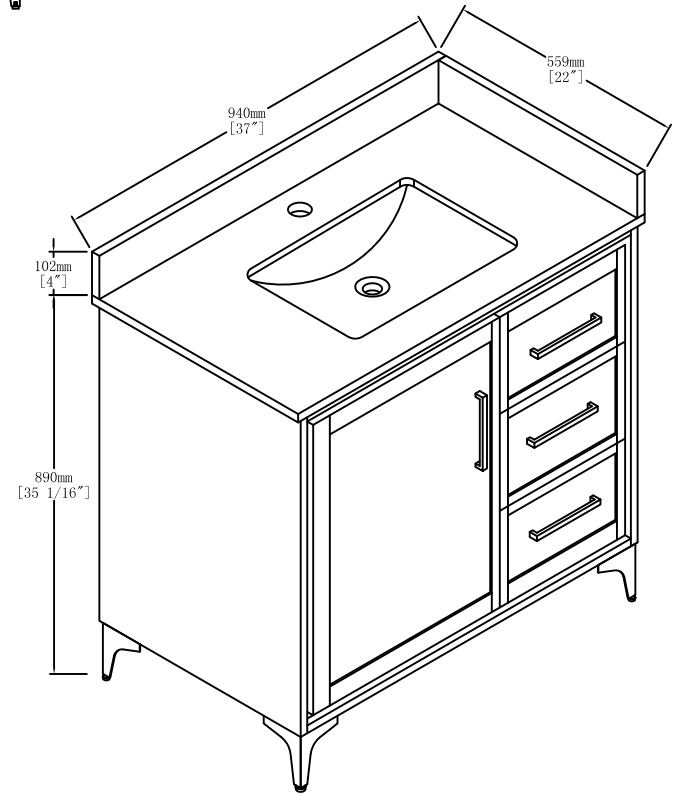
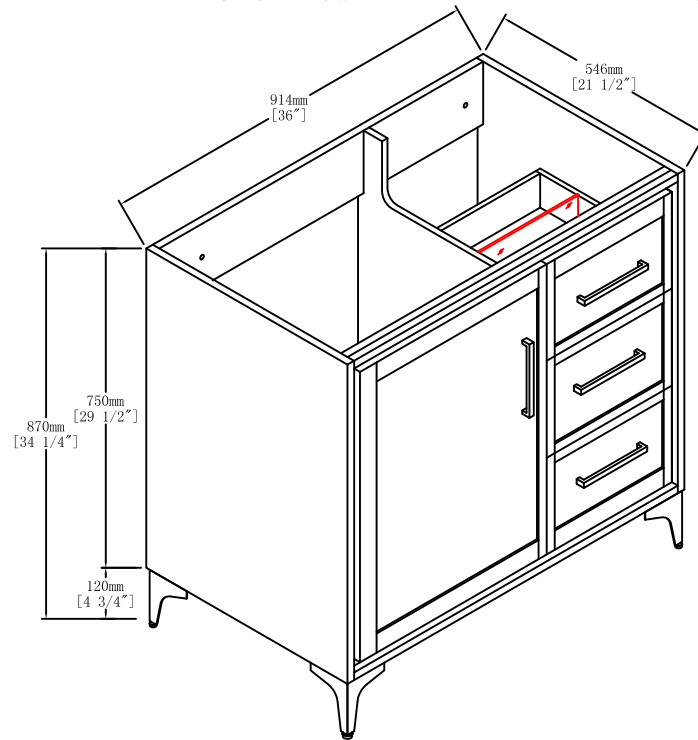
Front View



Side View



Filler

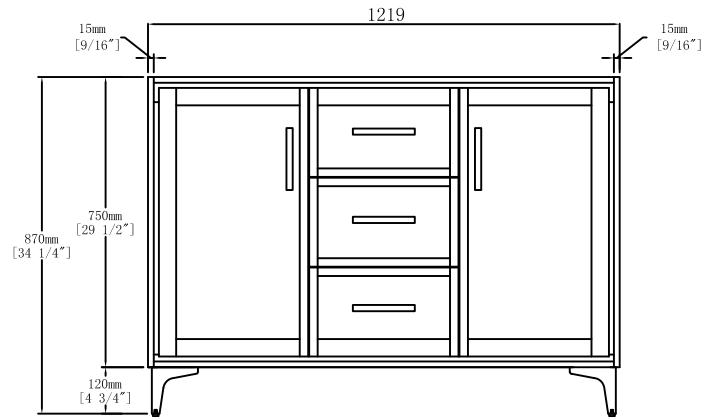


Item NO.

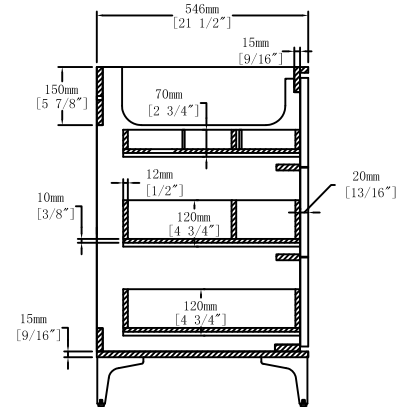
Whistler-36

Series

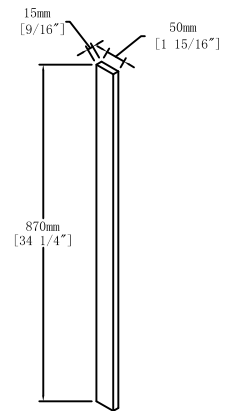
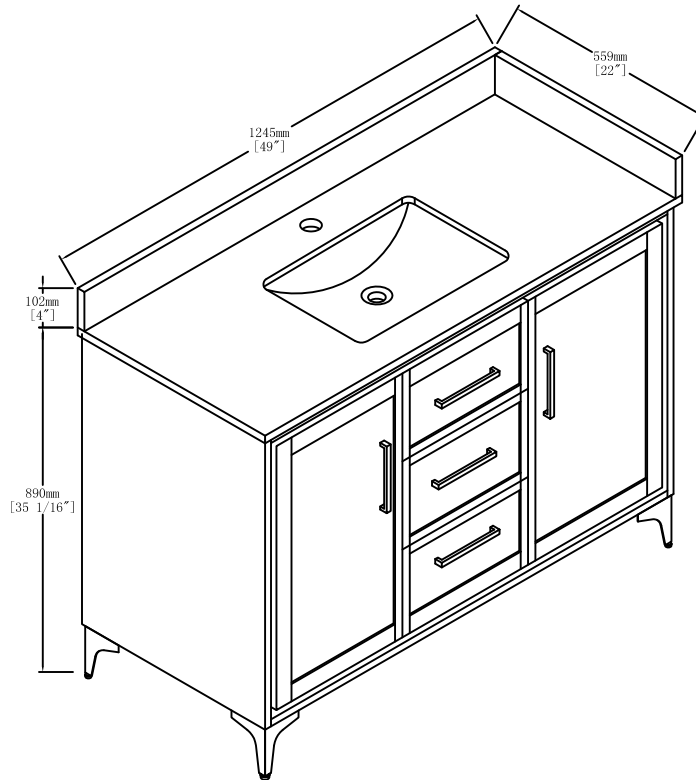
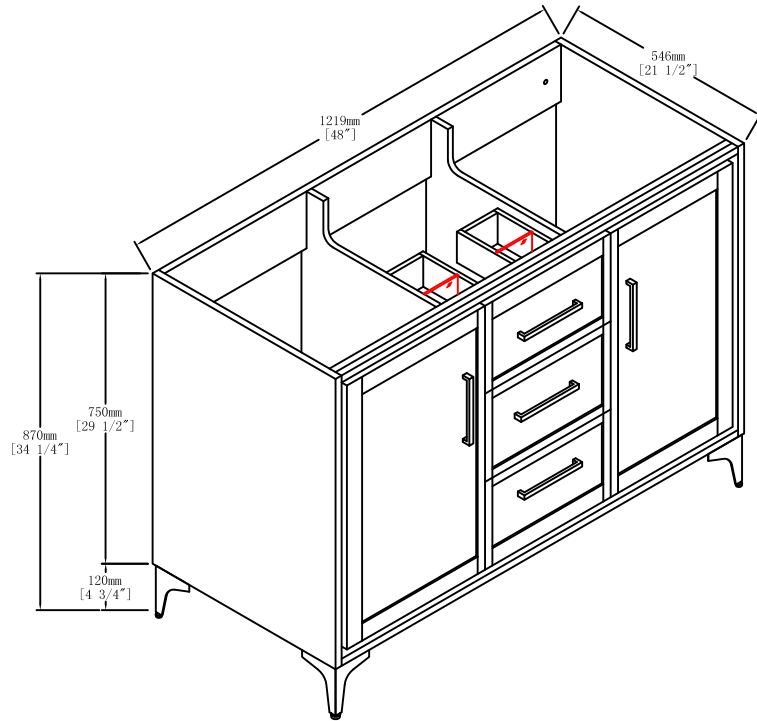
Whistler Series



Front View



Side View



Filler

Item NO.

Whistler-48

Series

Whistler Series