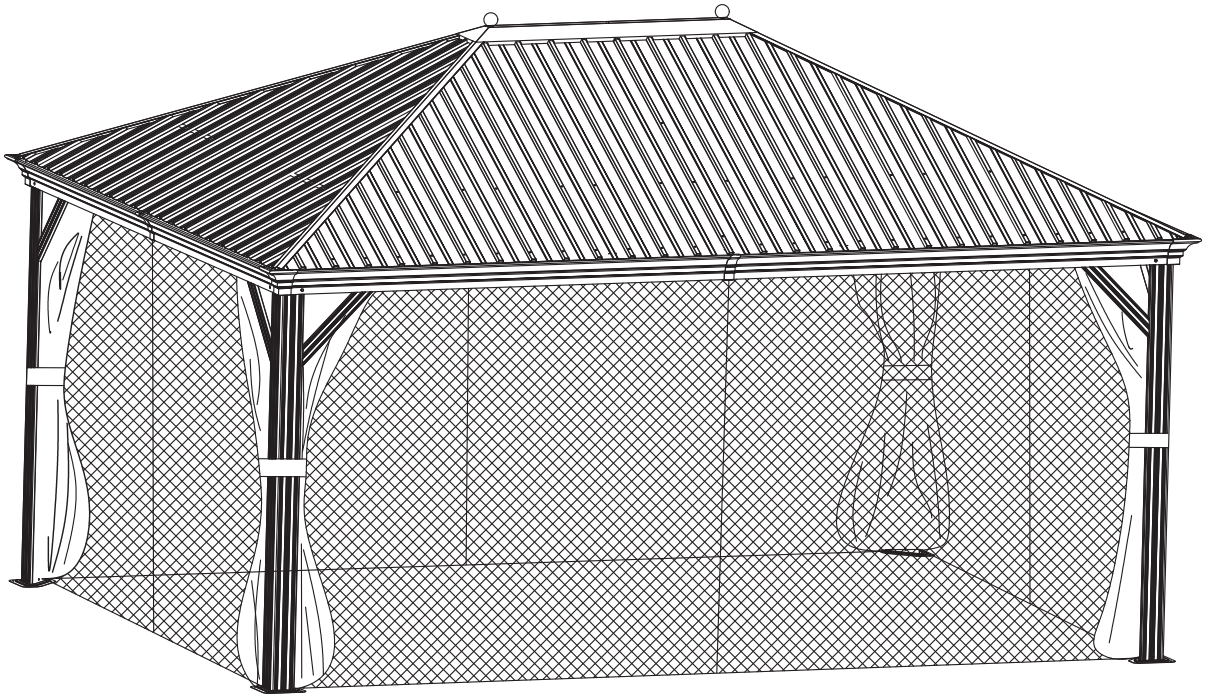


INSTRUCTION MANUAL

SKU:XWVG-283TN

12FTX16FT GAZEBO



Note: The gazebo needs to be installed in cooperation with four people. The following tools are not included and needed for assembly:



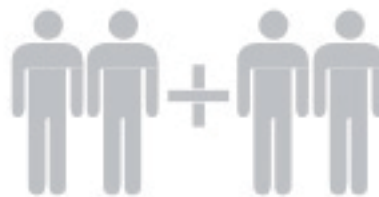
Pistol Drill



Tape Measure



2 m Adjustable Ladder


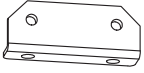


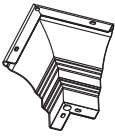
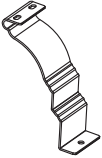
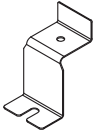


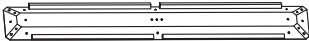


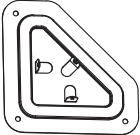
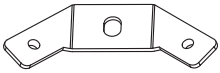

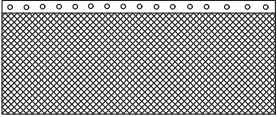
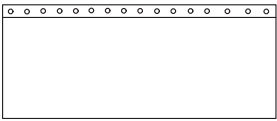

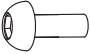
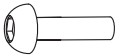



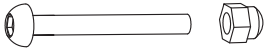


4 people

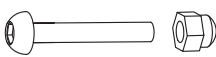


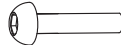
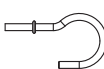
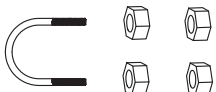
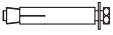

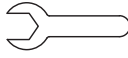
Warning

1. Four person assembly is required for this gazebo.
2. Please take appropriate actions as heavy rain, wind and snow can damage the gazebo. If necessary please disassemble and store for later use.
3. In snowy conditions, please do not allow the thickness of the snow to be more than 5 inches on the roof, this should be cleared as soon as possible for your safety. When the wind speed reaches 61.2km/h, please take measures to avoid the wind.


PARTS LIST (BOX A)

A1	A2	D	E
			
8 PCS	8 PCS	2 PCS	2 PCS
G	H	H1	J1
			
4 PCS	4 PCS	4 PCS	4 PCS
J2	K	K1	K2
			
4 PCS	1 PCS	1 PCS	2 PCS
L	U6	U7	Y
			
4 PCS	4 PCS	6 PCS	4 PCS
Ya	Z1	1#	2#
		 M6x16	 M6x20
4 PCS	4 PCS	239 PCS	16 PCS
3#	4#	5#	6#
		 M6x23	 M6x47
16 PCS	128 PCS	84 PCS	40 PCS



PARTS LIST (BOX A)

7#	8#	9#	10#
 M6x42	 M5x16	 ST4.8x13	 M6x23
8 PCS	40 PCS	24 PCS	4 PCS
12#	13#	14#	
		 M6x50	
2 PCS	1 PCS	12 PCS	2 PCS
			
1 PCS			

















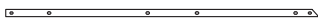




PARTS LIST (BOX B)

A			
			
4 PCS			


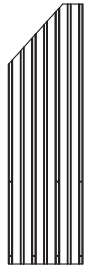

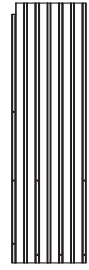
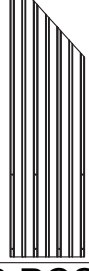


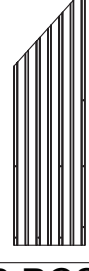


PARTS LIST (BOX C)

B	C		
			
2 PCS	2 PCS		

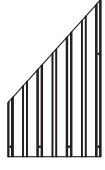
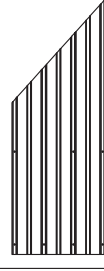
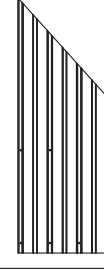
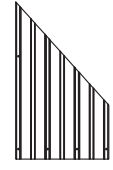
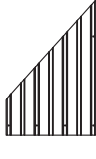
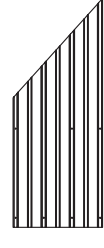
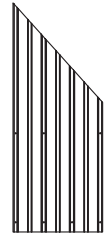
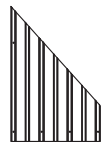
PARTS LIST (BOX D)

B1  2 PCS	B2  2 PCS	B3  2 PCS	C1  2 PCS
C2  2 PCS	C3  2 PCS	D1  2 PCS	D2  2 PCS
E1  2 PCS	E2  2 PCS	F  4 PCS	M  4 PCS
N  4 PCS	N1  4 PCS	S  136 PCS	U1  2 PCS
U2  2 PCS	U3  2 PCS	U4  2 PCS	U5  2 PCS
Z  72 PCS			




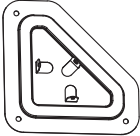
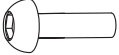
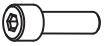
PARTS LIST (BOX E)

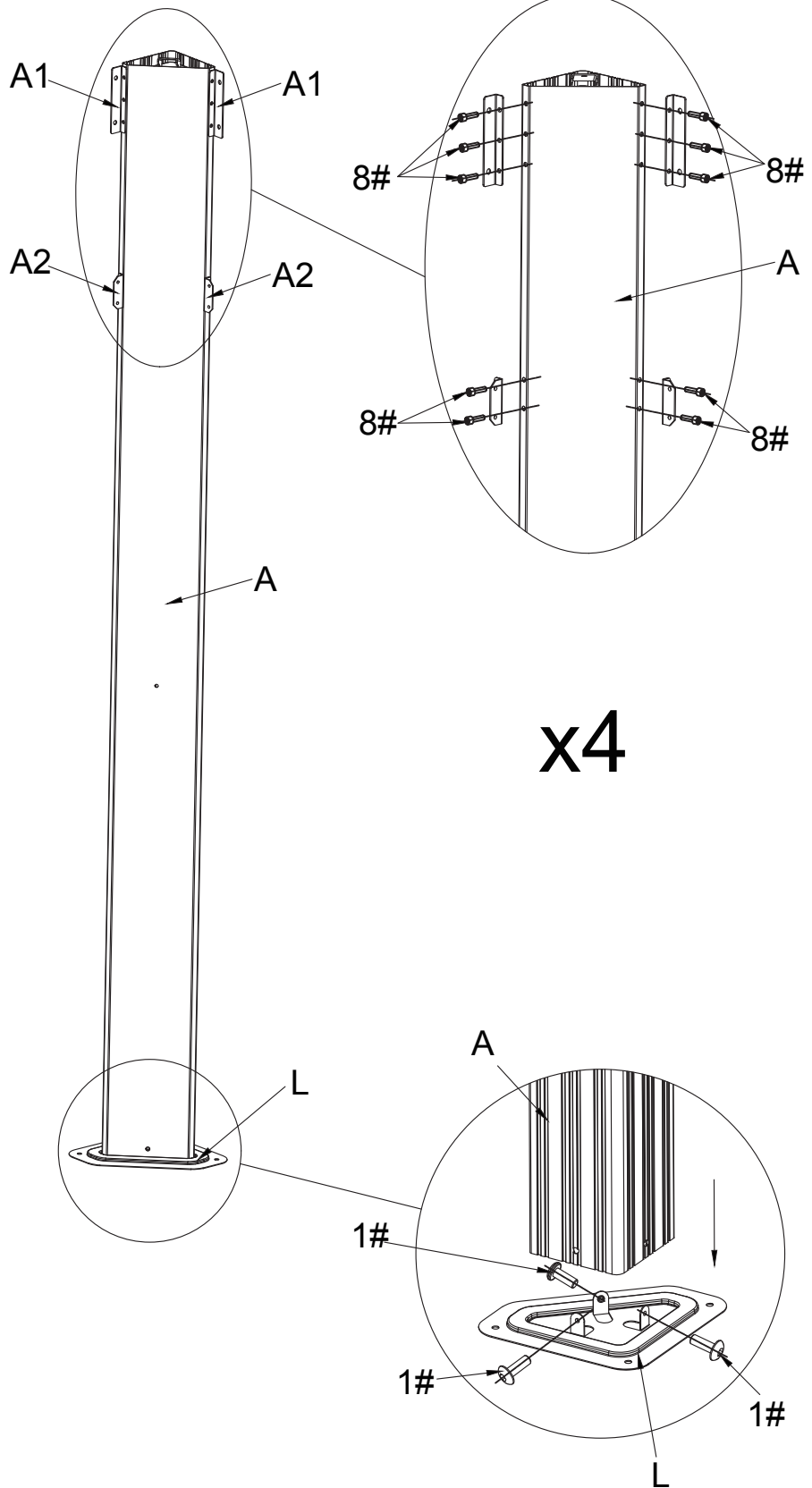
X1	X4	X5	X6
			
2 PCS	2 PCS	2 PCS	2 PCS
X7	X10	W1	W4
			
2 PCS	2 PCS	2 PCS	2 PCS
W5	W8		
			
2 PCS	2 PCS		









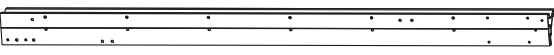
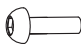
PARTS LIST (BOX F)

X2	X3	X8	X9
			
2 PCS	2 PCS	2 PCS	2 PCS
W2	W3	W6	W7
			
2 PCS	2 PCS	2 PCS	2 PCS

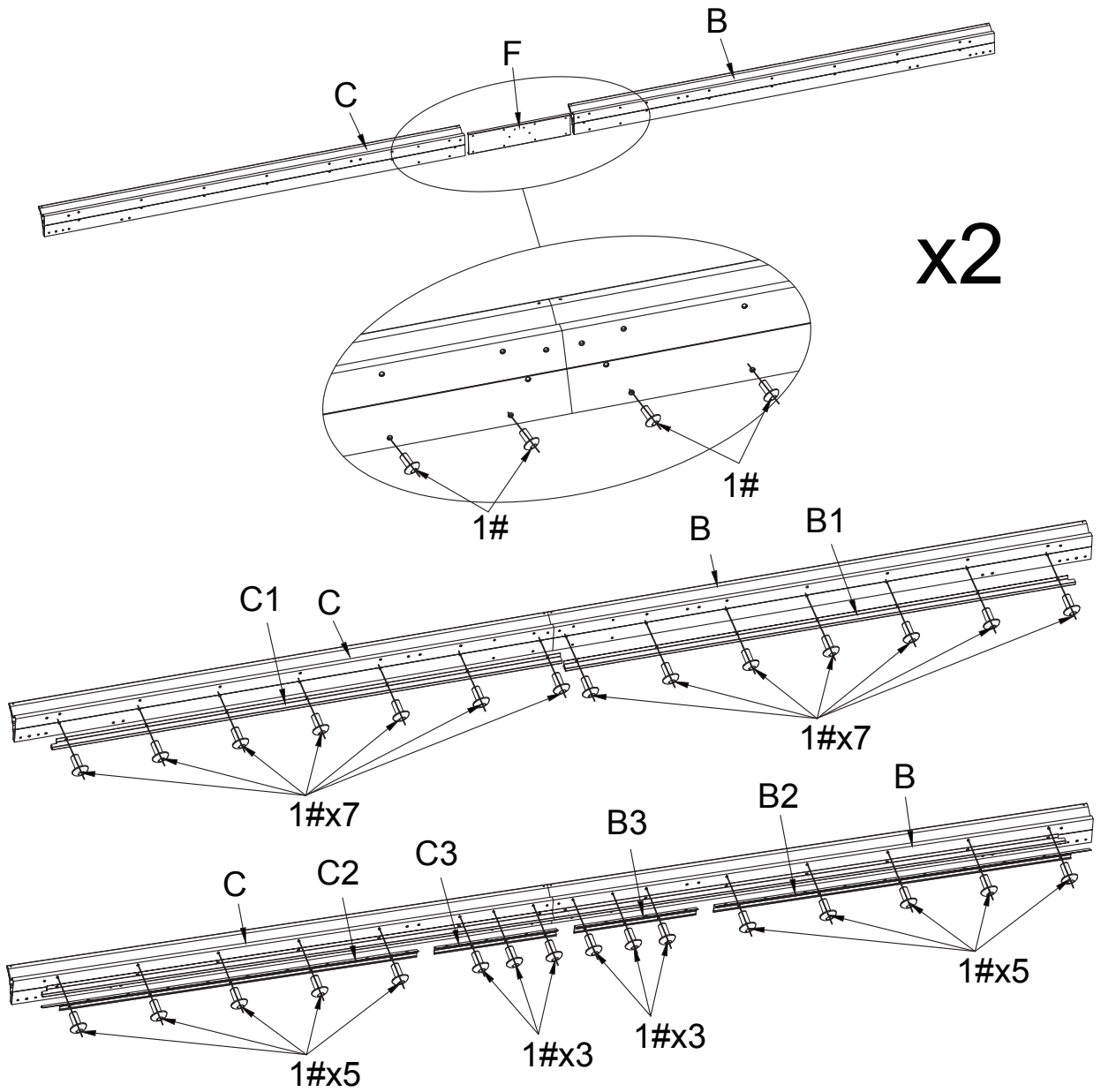
STEP 01







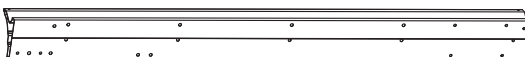
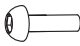
- 
A x 4
- 
A1 x 8
- 
A2 x 8
- 
L x 4
- 
M6 x 16
1#
x 12
- 
M5 x 10
8#
x 40



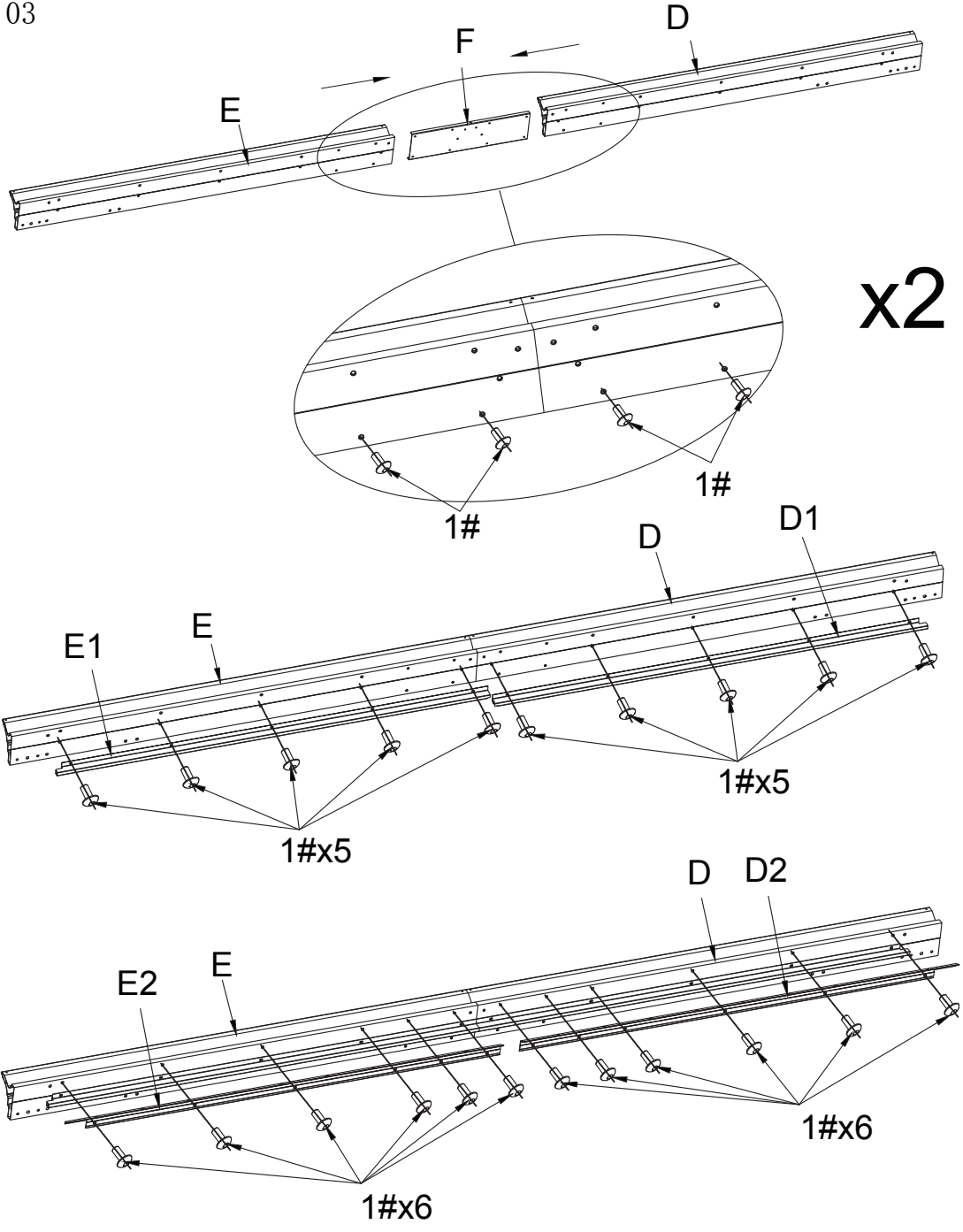
 B (x2)	 C1 (x2)
 B1 (x2)	 C2 (x2)
 B2 (x2)	 C3 (x2)
 B3 (x2)	 F (x2)
 C (x2)	 M6x16 1# (x68)

STEP 02



 D (x2)	 E1 (x2)
 D1 (x2)	 E2 (x2)
 D2 (x2)	 F (x2)
 E (x2)	 M6x16 1# (x52)

STEP 03

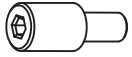


STEP 04



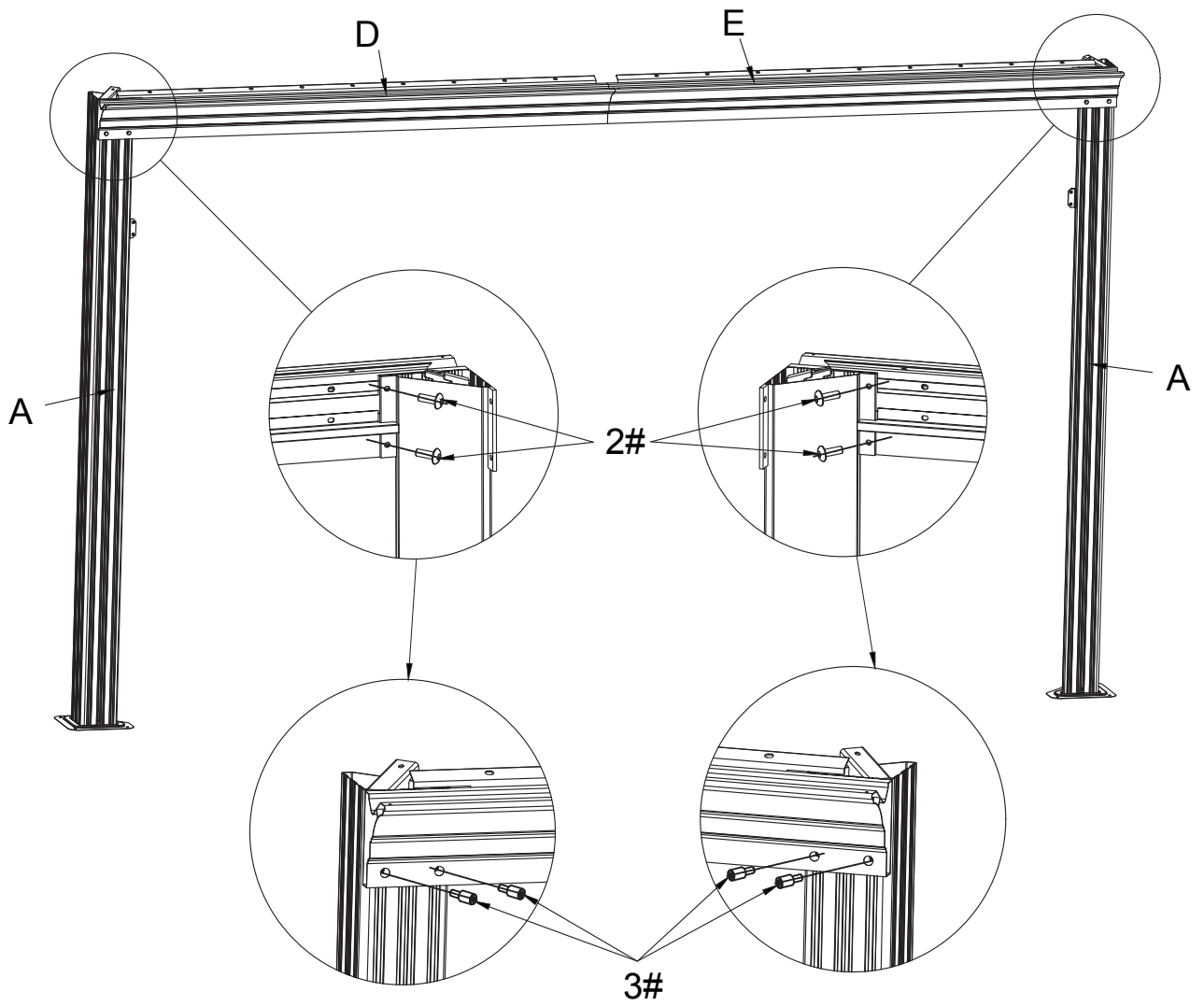
M6x20

2# x8

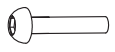


3# x8

x2

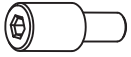


STEP 05

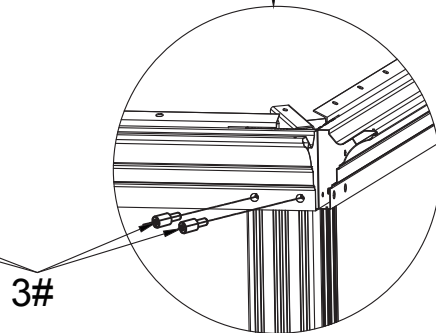
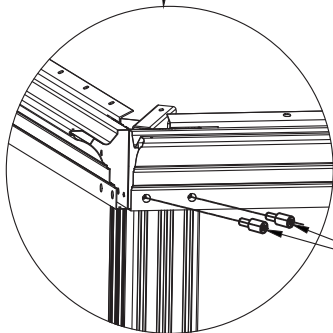
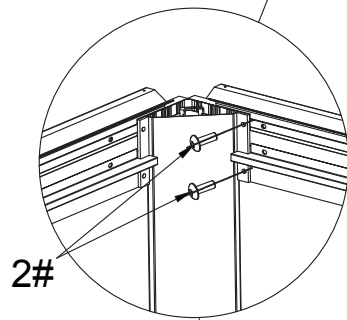
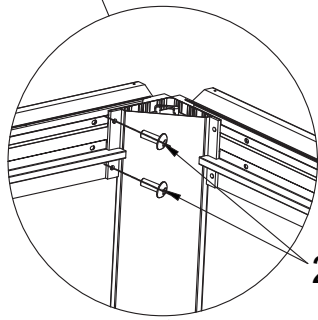
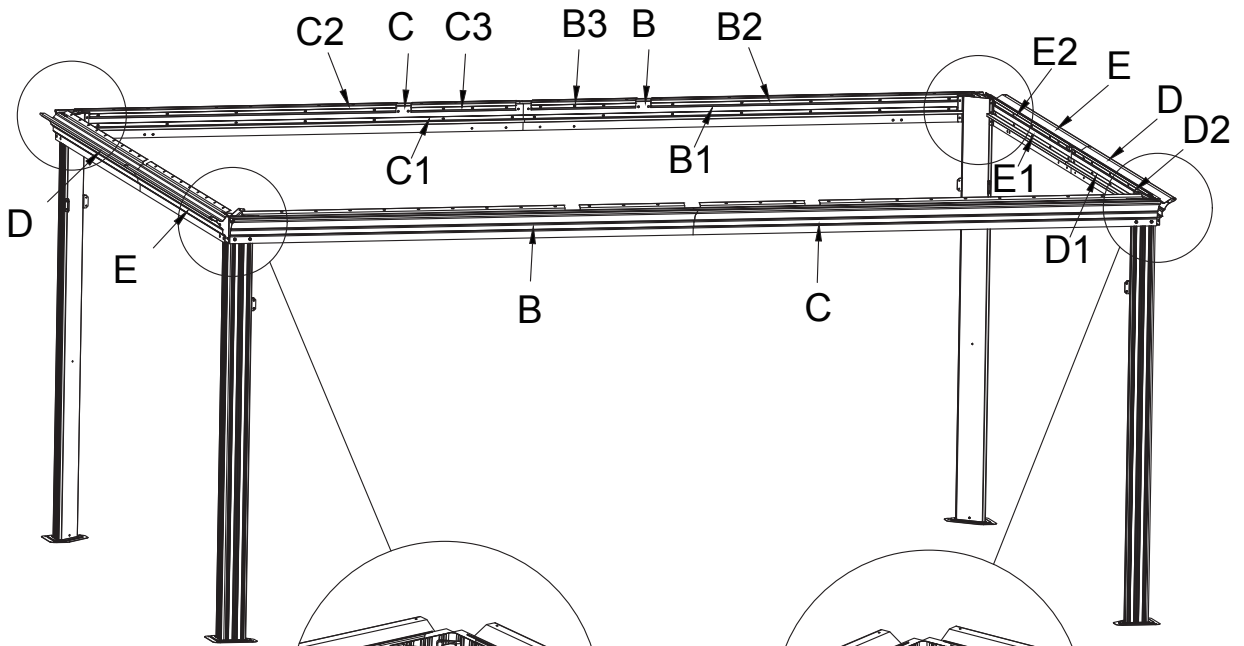


M6x20

2#x8



3#x8



STEP 06



J1 x4

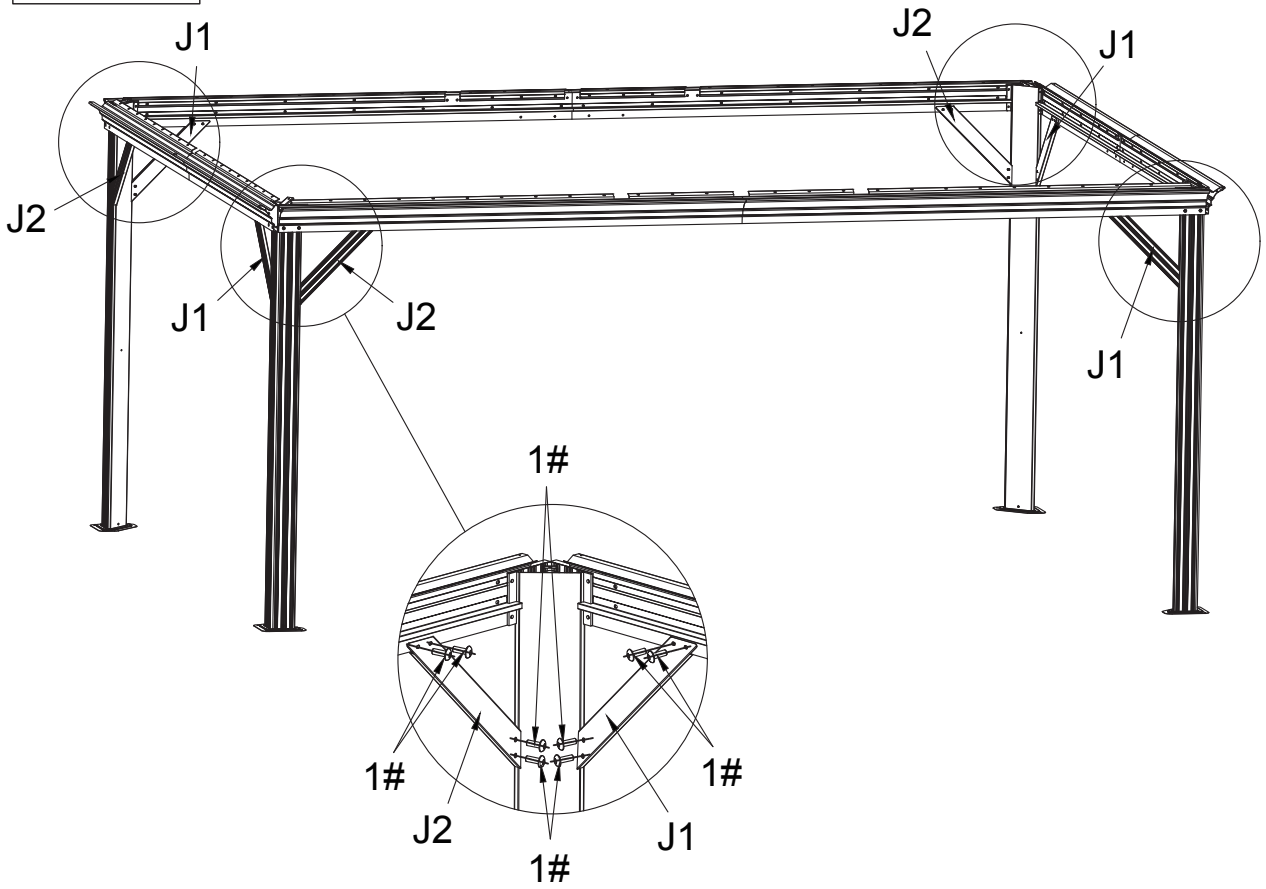


J2 x4

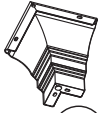


M6x16

1# x32



STEP 07



G x4

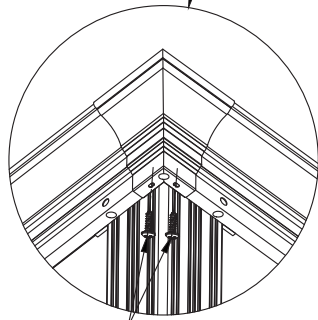
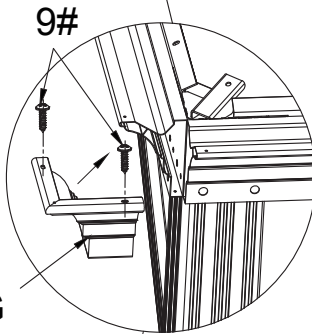
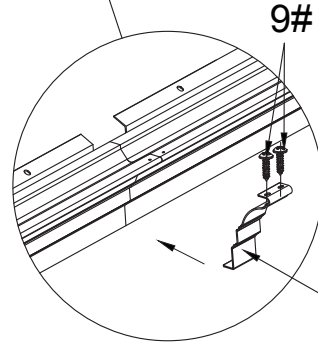
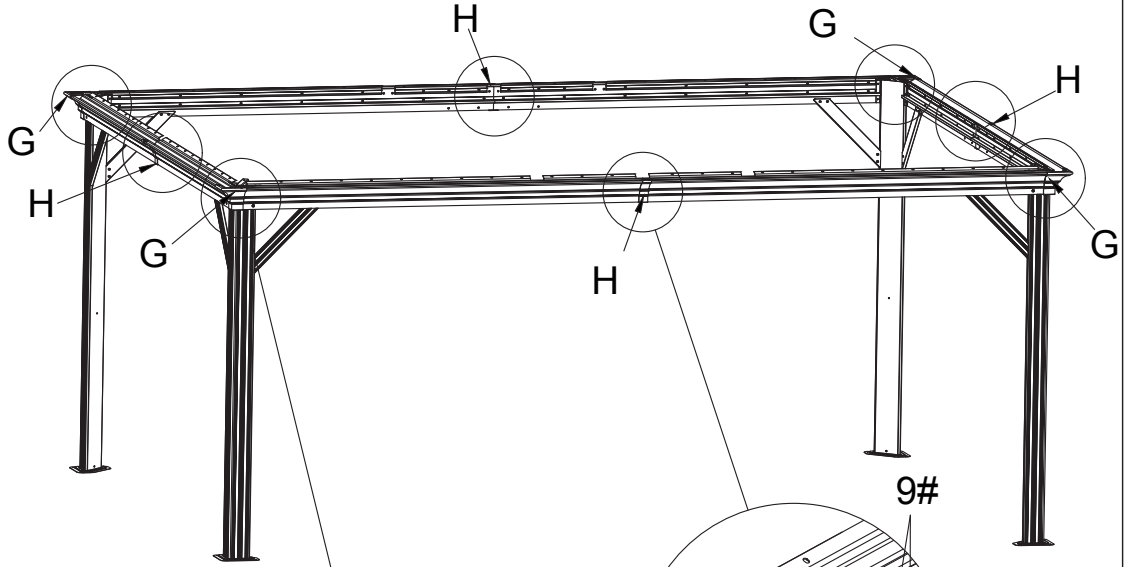


H x4



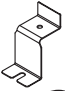

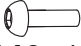
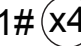
ST4.8x13

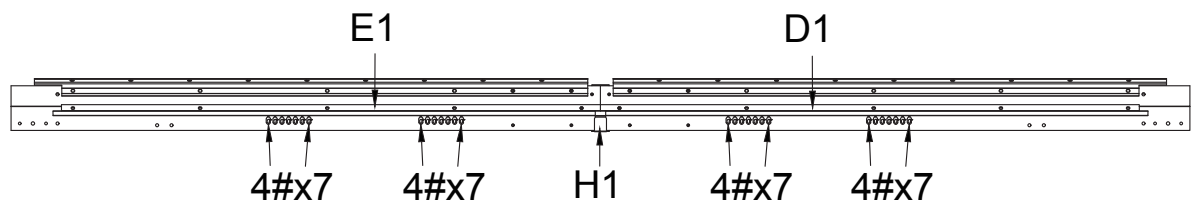
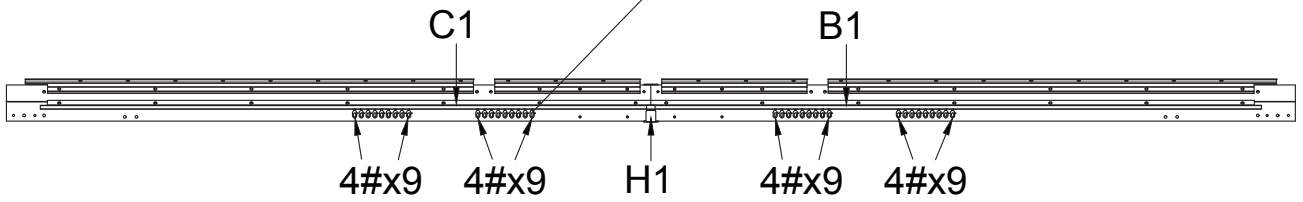
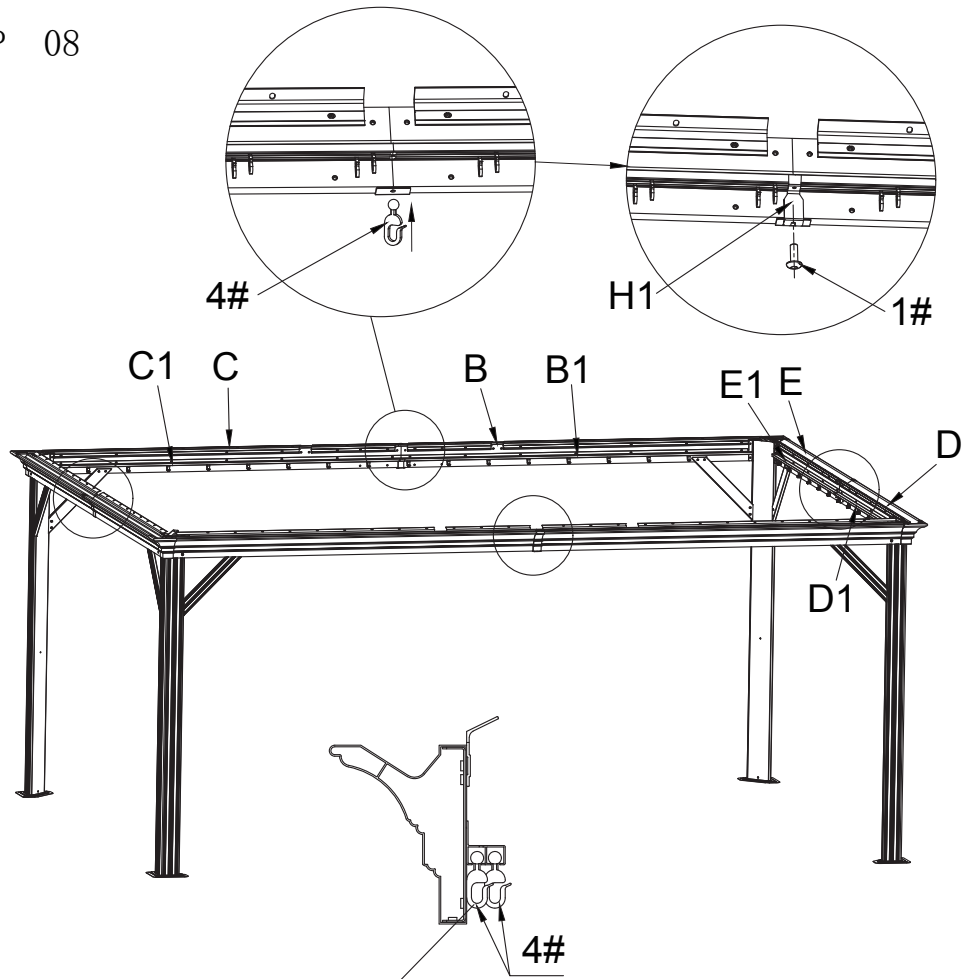
9# x24

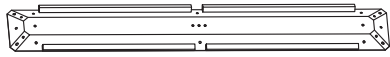


9#

STEP 08

-  H1 (x4)
-  4# (x128)
-  M6x16
-  1# (x4)



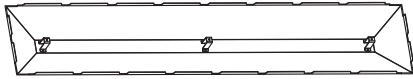


K x1



M6x16

1# x2



K1 x1

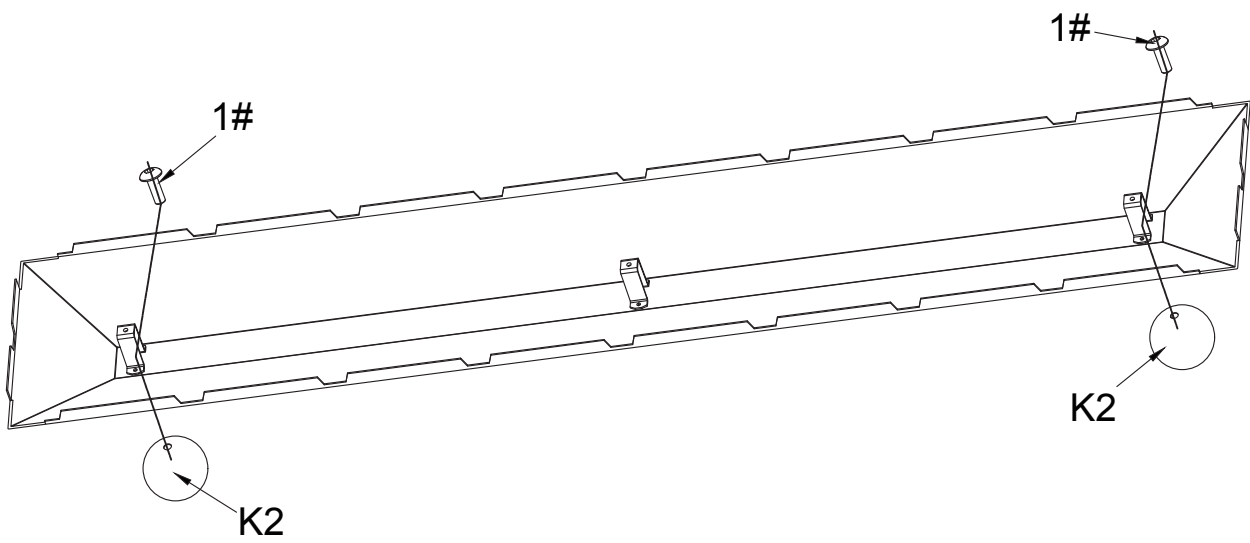
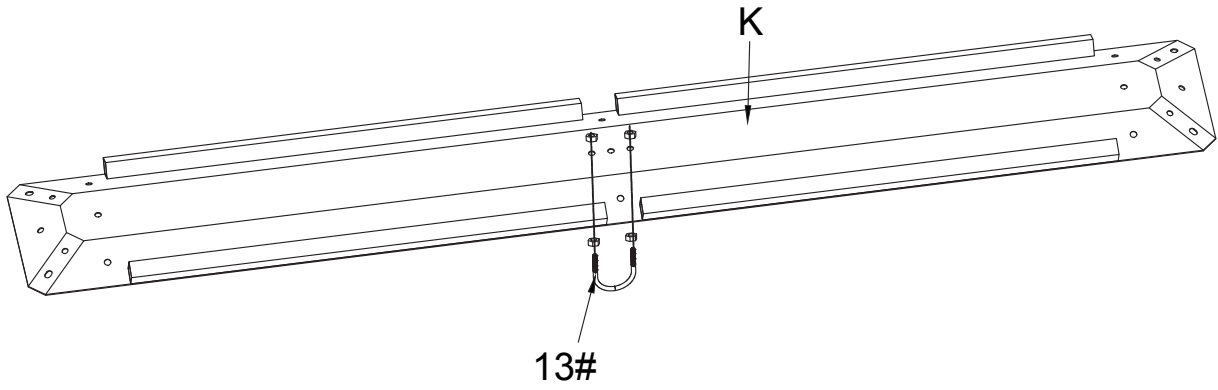


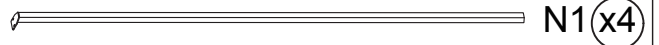
13# x1



K2 x2

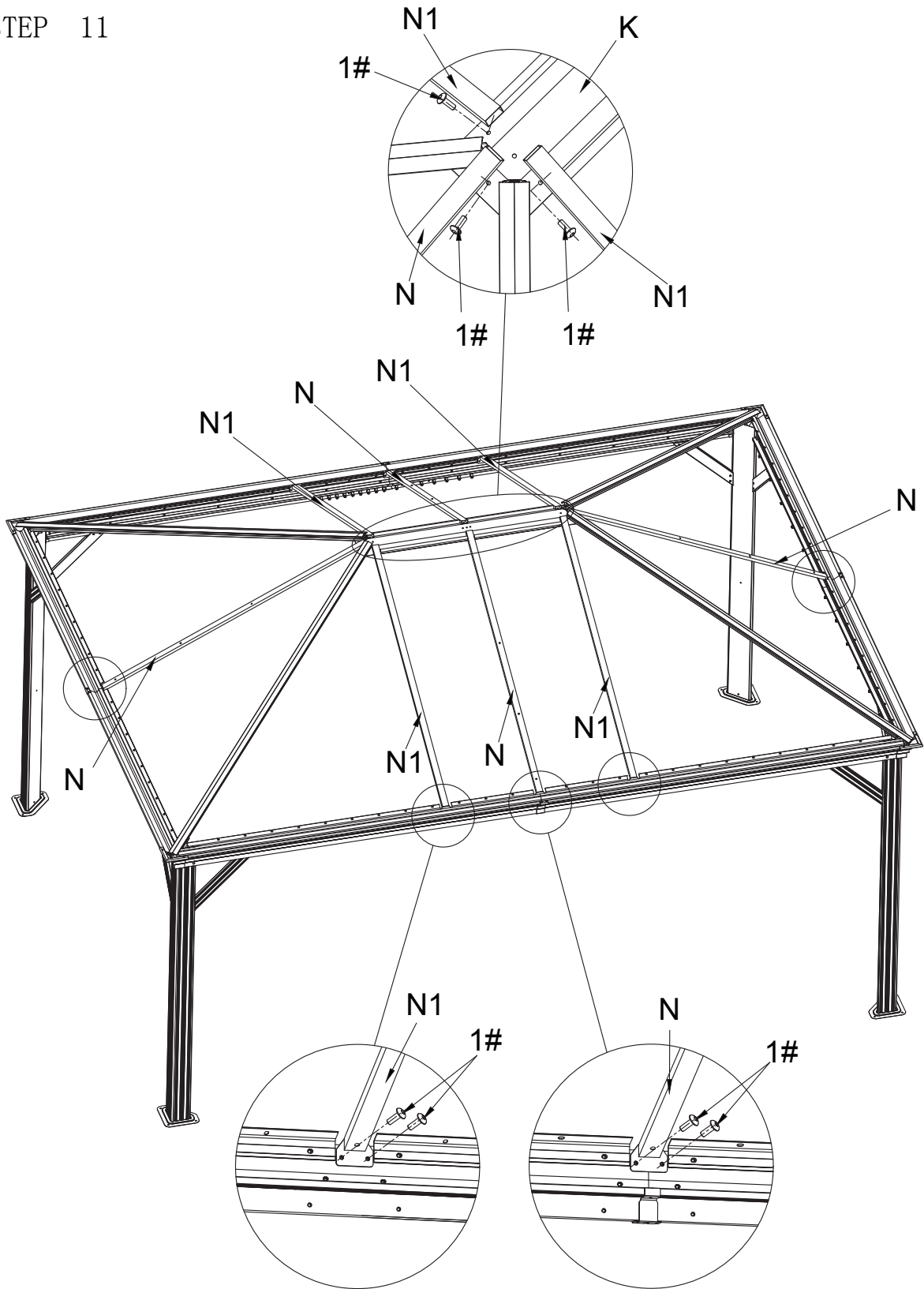
STEP 09

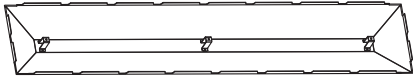




M6x16 1# (x24)

STEP 11





K1 (x1)



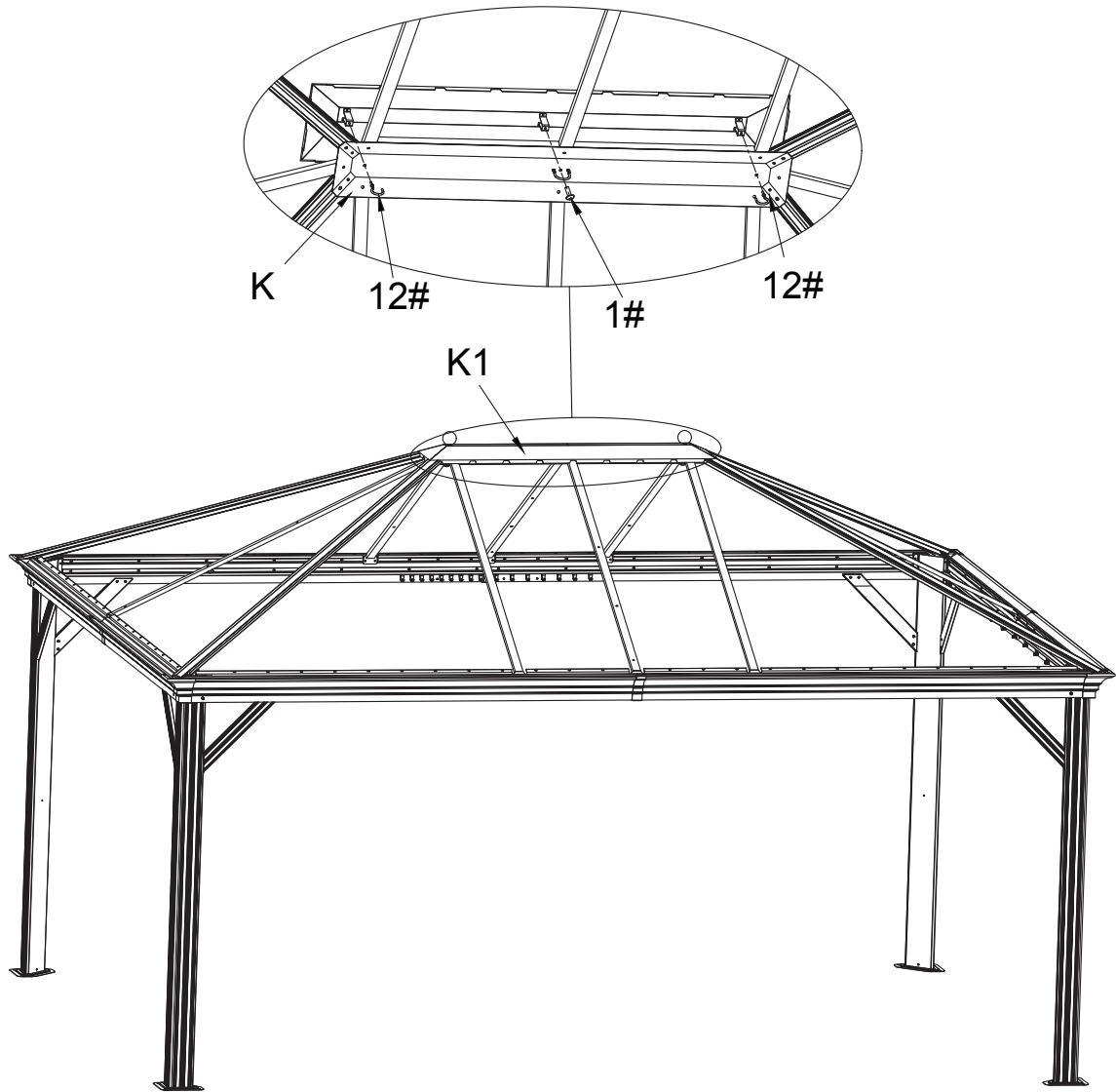
12# (x2)

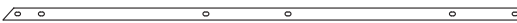




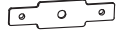

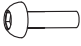


M6x16

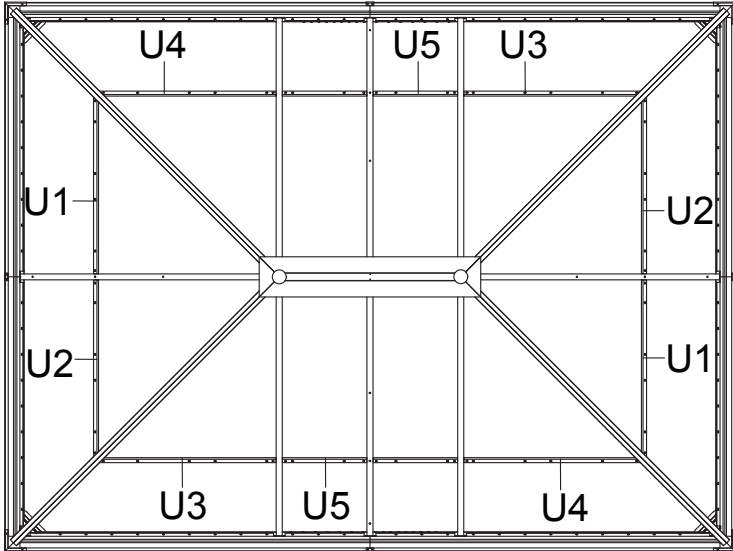
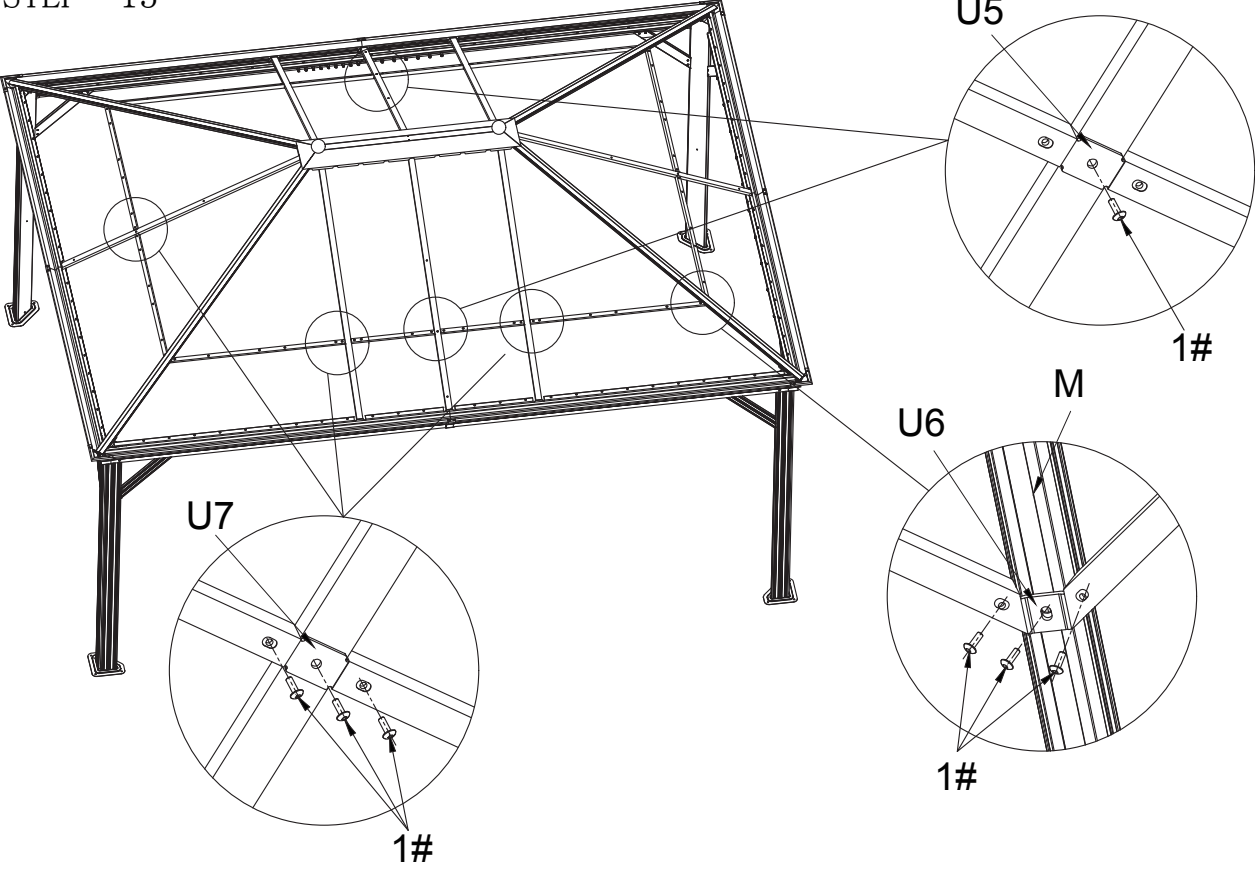
1# (x1)











STEP 12



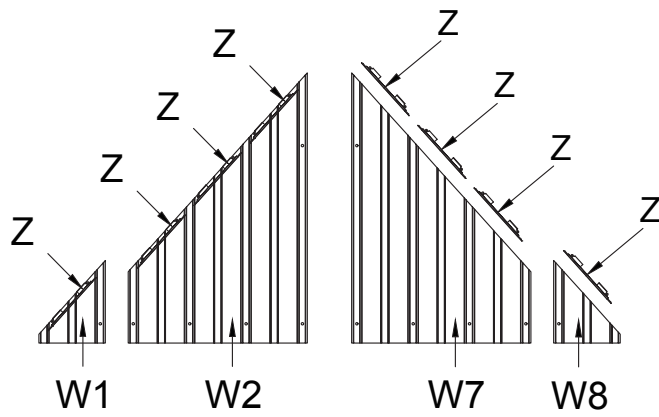
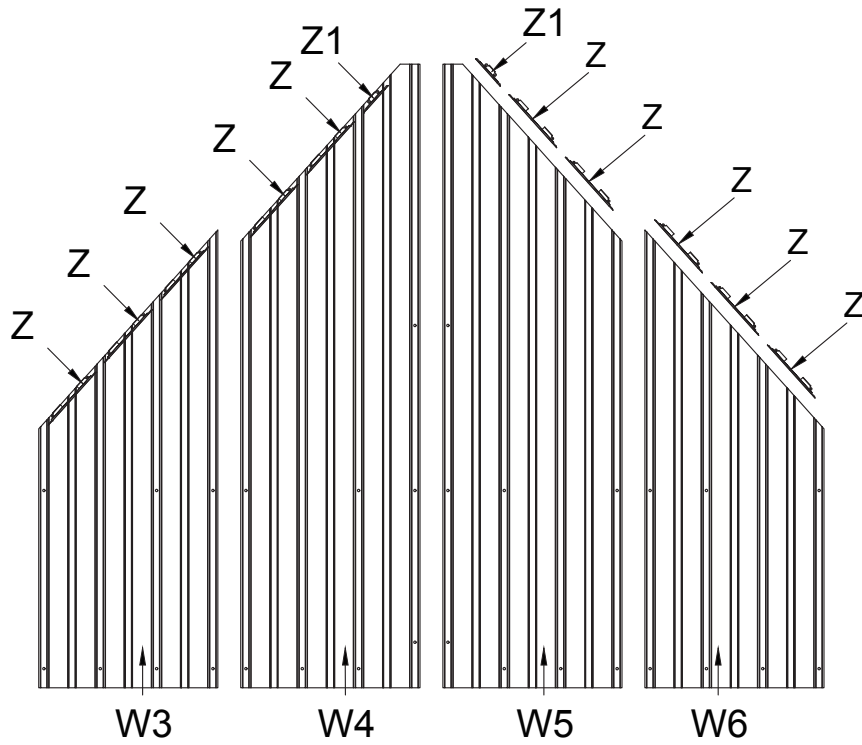
 U1 (x2)	 U5 (x2)
 U2 (x2)	 U6 (x4)
 U3 (x2)	 U7 (x6)
 U4 (x2)	 M6x16 1# (x32)












STEP 13



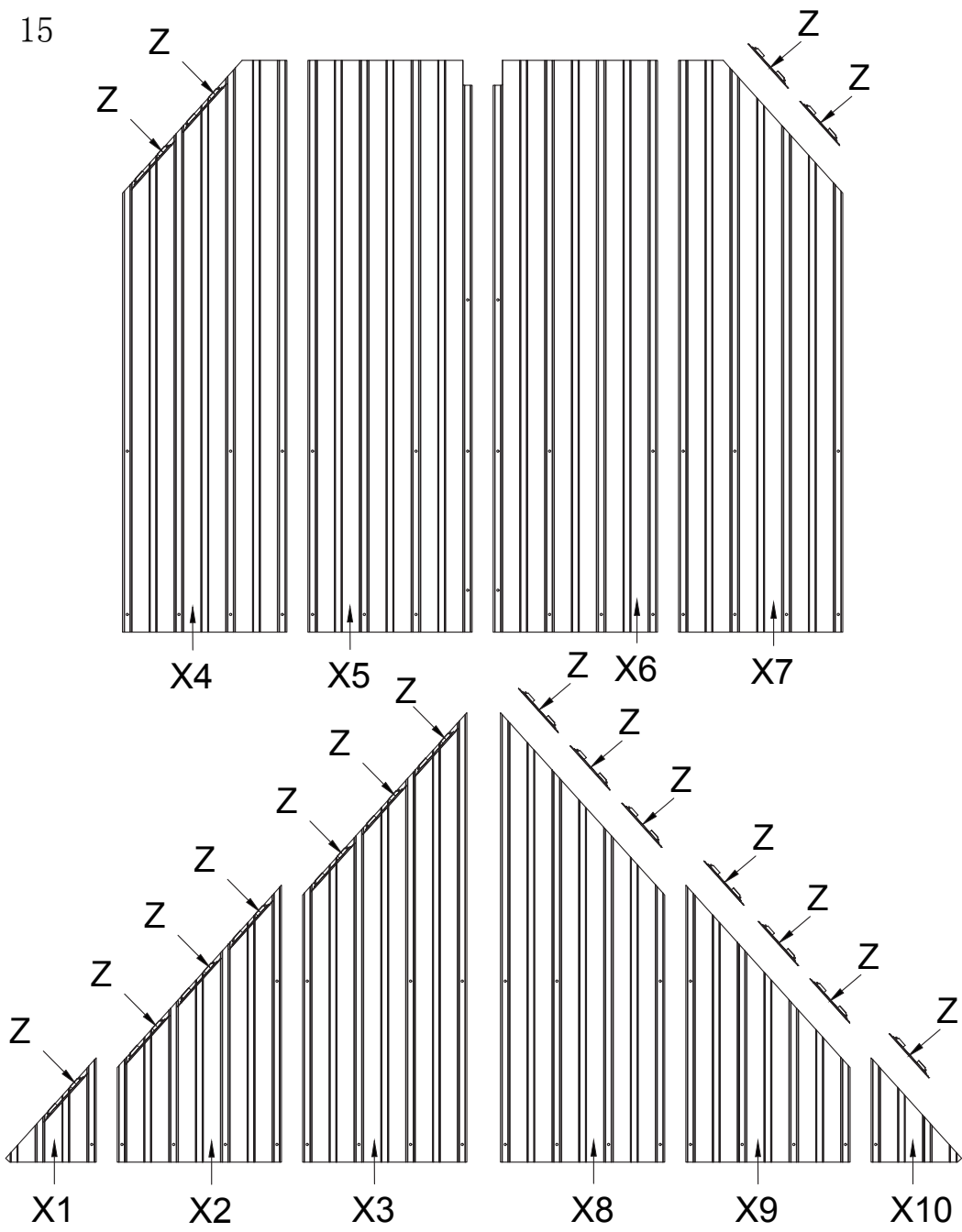
	W1(x2)		W6(x2)
	W2(x2)		W7(x2)
	W3(x2)		W8(x2)
	W4(x2)		Z(x36)
	W5(x2)		Z1(x4)

STEP 14

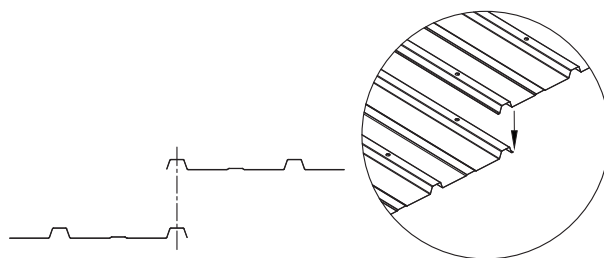
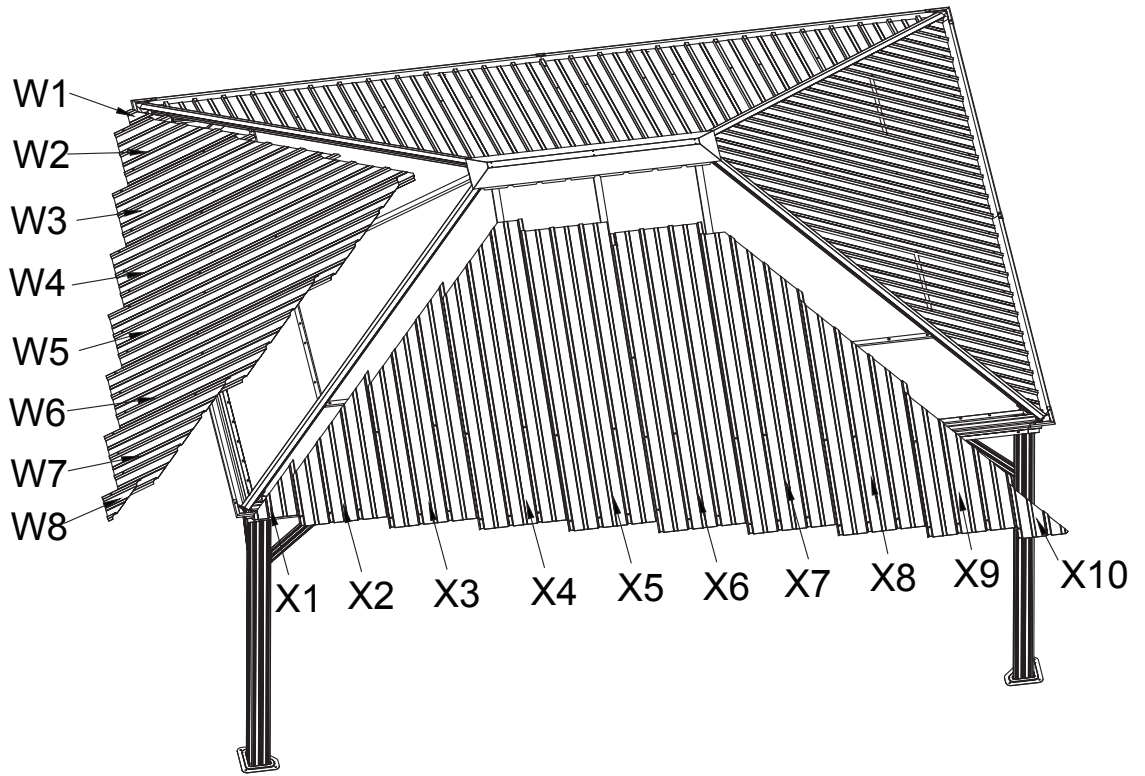


	X1 (x2)		X7 (x2)
	X2 (x2)		X8 (x2)
	X3 (x2)		X9 (x2)
	X4 (x2)		X10 (x2)
	X5 (x2)		Z (x36)
	X6 (x2)		

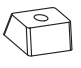

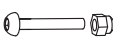
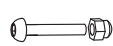





STEP 15

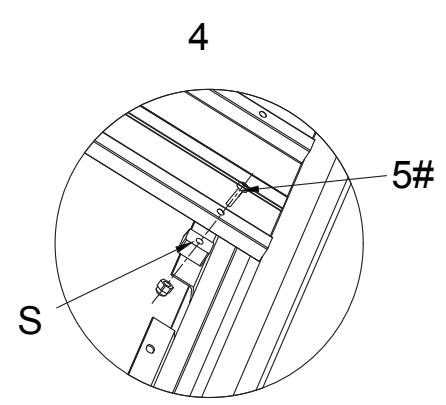
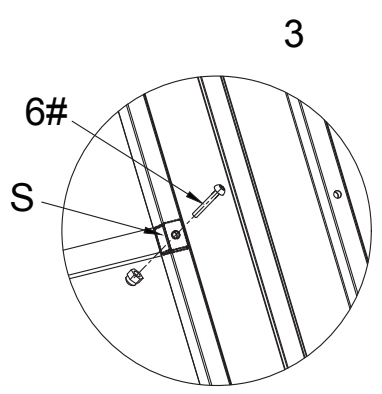
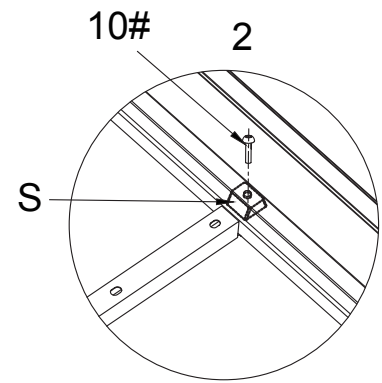
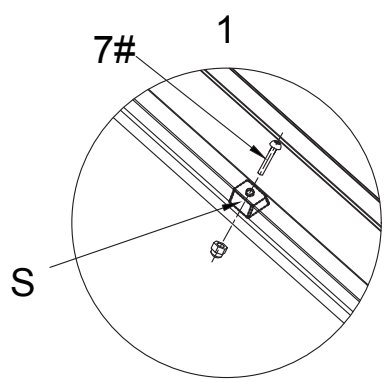
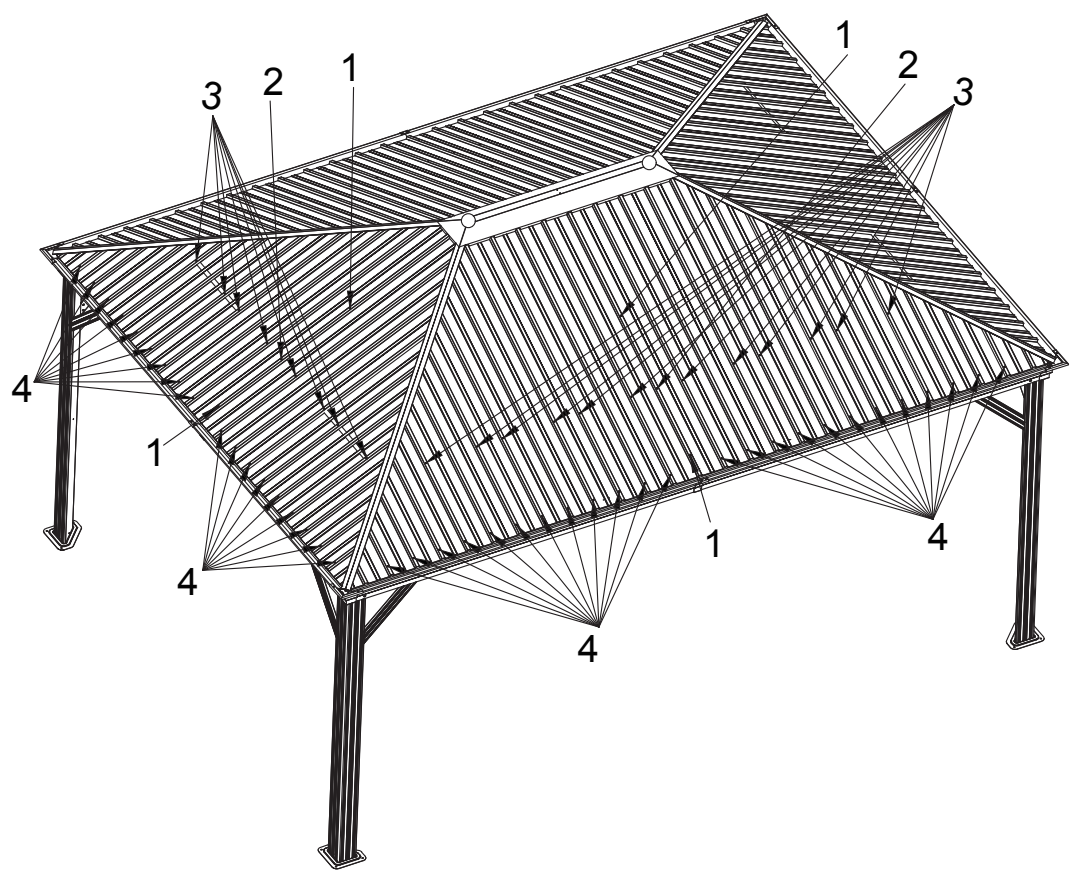


STEP 16

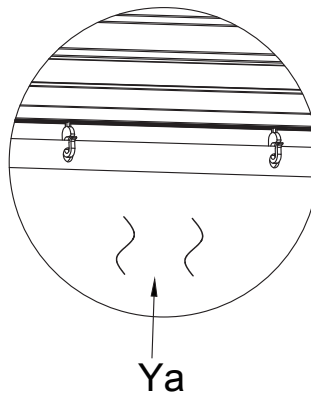
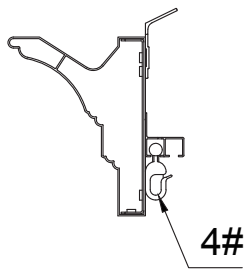
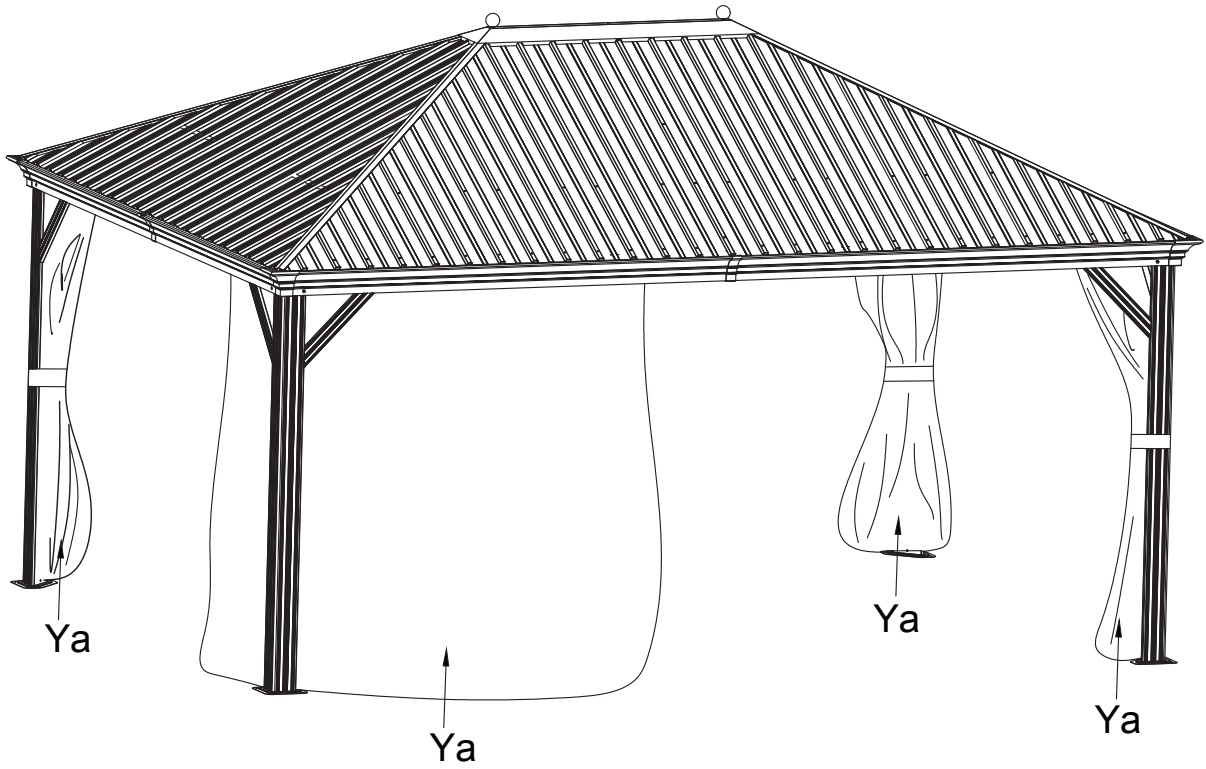
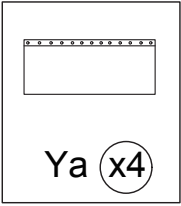


STEP 17

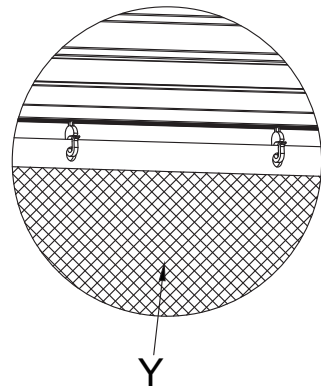
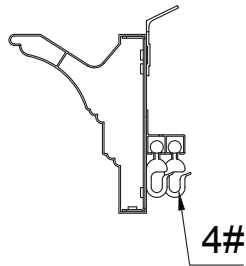
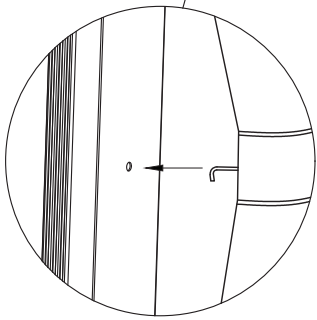
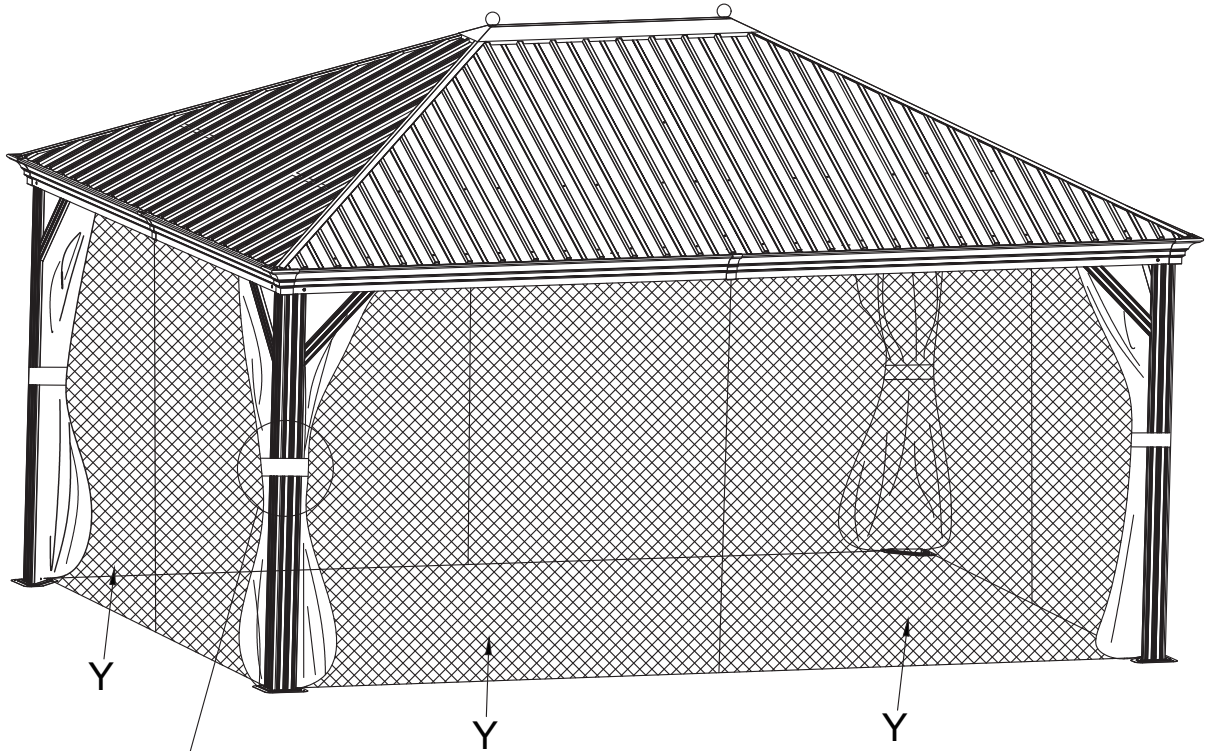
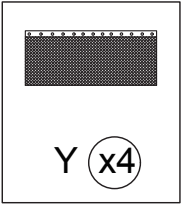
-  S x136
-  M6x23
-  5#x84
-  M6x47
-  6#x40
-  M6x42
-  7#x8
-  M6x23
-  10#x4

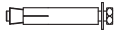


STEP 18



STEP 19




M6x50
14#x12

STEP 20

