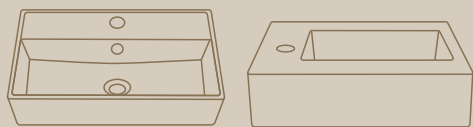


INSTALLATION INSTRUCTIONS



Wall-hung Sink

Safety Information

Before installing this sink, read this instruction manual carefully. It contains important information concerning the safe installation, operation, and maintenance of your sink. Retain this manual for future use. In the event of sale, transfer, or relocation, ensure this manual remains with the sink.



WARNING: *Keep all packaging materials out of the reach of children to prevent possible choking or suffocation.*



WARNING: *Handle with care. Vitreous chinaware is glass-like with sharp edges if broken. Do not drop, handle roughly, or overtighten bolts.*

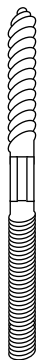
Pre-Installation

Compare all parts with the Hardware Included and Package Contents lists in this manual. Check the surface of the sink for any flaws or damage, including dents, bends, bumps, or scuff marks. If any damage is noticed or parts are missing, do not proceed with the installation.

Packing list

Part	Item	Quantity
A	sink	1
B	setscrew set	2
C	Use and care manual	1

HARDWARE INCLUDED



x2 Hanger bolts (8mm)



x2 washer



x2 wall anchor



x2 nuts

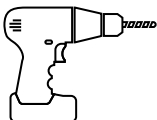


x2 Insulation sleeve

TOOLS REQUIRED



goggles



Drill



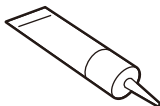
5/16" diamond drill bit



Tape



Ruler



Sealant



Flat Shovel



Philips screwdriver



Flat screwdriver



Wrench



Pipe Wrench

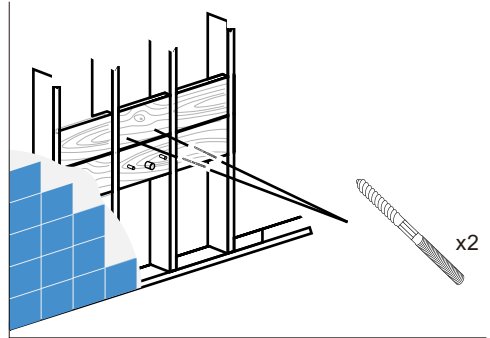


Epoxy

Installation

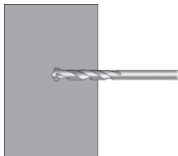
1 Prepare Location

Locate studs in the wall. If the studs do not line up with the holes in the back of the sink, be sure to add sufficient wall supports behind the finished wall.

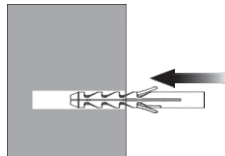


2 Install Hanger Bolts

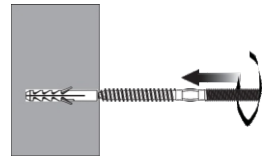
Measure the distance between mounting holes in the back of the sink. Drill pilot holes in wood and screw in hanger bolts. Check position with a level.



Step 1: Drill two holes to a depth of 75mm in the required position on the wall by using a 14mm masonry drill bit.



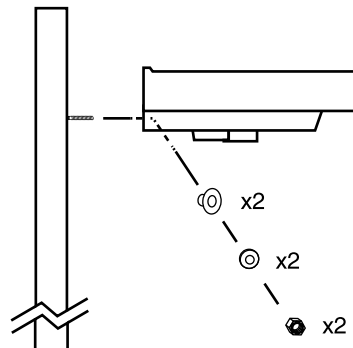
Step 2: Push a wall plug into each hole



Step 3: Screw the fixing bolt into each fixing plug by using a 8mm spanner until the spanner contacts the wall.

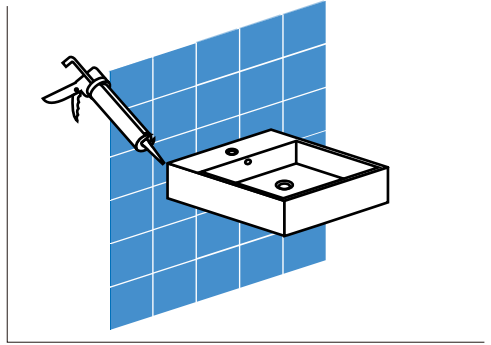
3 Secure Sink With Washers and Nuts

Screw the sink onto the two hangerbolts. Secure the sink with insulating sleeves, washers and nuts. Be careful not to over-tighten the bolts. Overtightening can cause the sink to chip and crack.



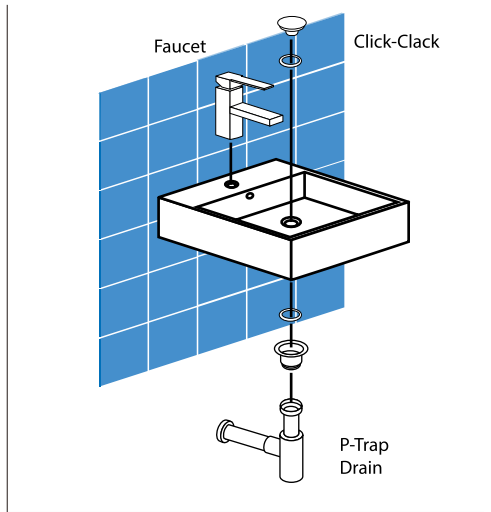
4 Apply Caulking

Finish the sink installation by applying a bead of caulk between the sink and the wall.



5 Sink Accessories

Complete your installation by adding the preferred plumbing accessories, such as the faucet, click-clack drain, p-trap and angle valves to your sink.



Care and Cleaning

For best results in caring for your sink, we suggest the following:

- Clean the outside surface with mild soap, warm water, and a soft cloth.
- On stubborn stains, use a powdered detergent and damp sponge or nylon scouring pad.
- Never use abrasive scouring powders, cleansers, or pads because they will scratch, damage, and dull the surface.