

ASSEMBLY INSTRUCTIONS COASTER FINE FURNITURE



Fine Furniture for every stage of life

207040KE (B1&B2) ***Eastern King Storage Bed***

ITEM: 207040KE (B1&B2)



ASSEMBLY INSTRUCTIONS

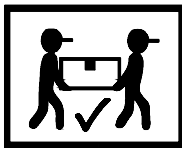
ASSEMBLY TIPS:

1. Remove hardware from box and sort by size.
2. Please check to see that all hardware and parts are present prior to start of assembly.
3. Please follow attached instructions in the same sequence as numbered to assure fast & easy assembly.



WARNING!

1. Don't attempt to repair or modify parts that are broken or defective. Please contact the store immediately.
2. This product is for home use only and not intended for commercial establishments.



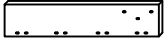
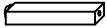
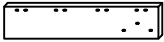
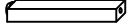
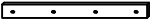
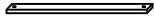



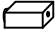





ASSEMBLY TIME

30 MINUTES

PARTS IDENTIFICATION

B1 (BOX 1)

A	HEADBOARD PANEL		4 PCS	I	ROLL SLAT (6 PCS)		2 SETS
B	LEFT HEADBOARD SUPPORT (WITH "L" LABEL)		1 PC	J	SHORT BED SLAT SUPPORT WITH LEVELER		4 PCS
C	RIGHT HEADBOARD SUPPORT (WITH "R" LABEL)		1 PC	K	LONG BED SLAT SUPPORT WITH LEVELER		8 PCS
D	CENTRE HEADBOARD SUPPORT		1 PC	L	ROLL SLAT SUPPORT RAIL		2 PCS
E	LEFT HEADBOARD LEG (WITH "L" LABEL)		1 PC	M	DRAWER FRAME		1 PC
F	RIGHT HEADBOARD LEG (WITH "R" LABEL)		1 PC	O	DRAWER FRAME SUPPORT WITH LEVELER		3 PCS
G	FOOTBOARD		1 PC	P	CONCEAL PANEL		1 PC
H	BED RAIL(L&R)		2 PCS				

B2 (BOX 2)

N	DRAWER		2 PCS				
---	--------	---	-------	--	--	--	--

ITEM: 207040KE (B1&B2)



ASSEMBLY INSTRUCTIONS

ASSEMBLY TIPS:

1. Remove hardware from box and sort by size.
2. Please check to see that all hardware and parts are present prior to start of assembly.
3. Please follow attached instructions in the same sequence as numbered to assure fast & easy assembly.









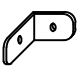







WARNING!

1. Don't attempt to repair or modify parts that are broken or defective. Please contact the store immediately.
2. This product is for home use only and not intended for commercial establishments.

HARDWARE IDENTIFICATION

Z-B1 (BOX 1) - HARDWARE PACK IS LOCATED IN 207040KE (B1)

1	BOLT 1 (M8 x 20MM - RBW)		8 PCS	9	PAN HEAD SCREW (M4 x 16MM-BLK)		4 PCS
2	BOLT 2 (M8 x 35MM - RBW)		22 PCS	10	SHORT FLAT HEAD SCREW (M4 x 16MM - BLK)		4 PCS
3	BOLT 3 (M6 x 25MM - RBW)		4 PCS	11	LONG FLAT HEAD SCREW (M4 x 32MM - RBW)		26 PCS
4	BOLT 4 (M6 x 35MM - RBW)		8 PCS	12	WOOD DOWEL (M8ø x 30MM)		3 PCS
5	BOLT 5 (M6 x 40MM - RBW)		6 PCS	13	METAL BRACKET (1 x 18 x 20mm - BLK)		2 PCS
6	BOLT 6 (M6 x 50MM - RBW)		4 PCS	14	SMALL ALLEN WRENCH (M4 x 65mm - BLK)		1 PC
7	LOCK WASHER (5/16" x 14ø - RBW)		22 PCS	15	BIG ALLEN WRENCH (M5 x 65mm - BLK)		1 PC
8	FLAT WASHER (5/16" x 22ø - RBW)		22 PCS				

NOTE:

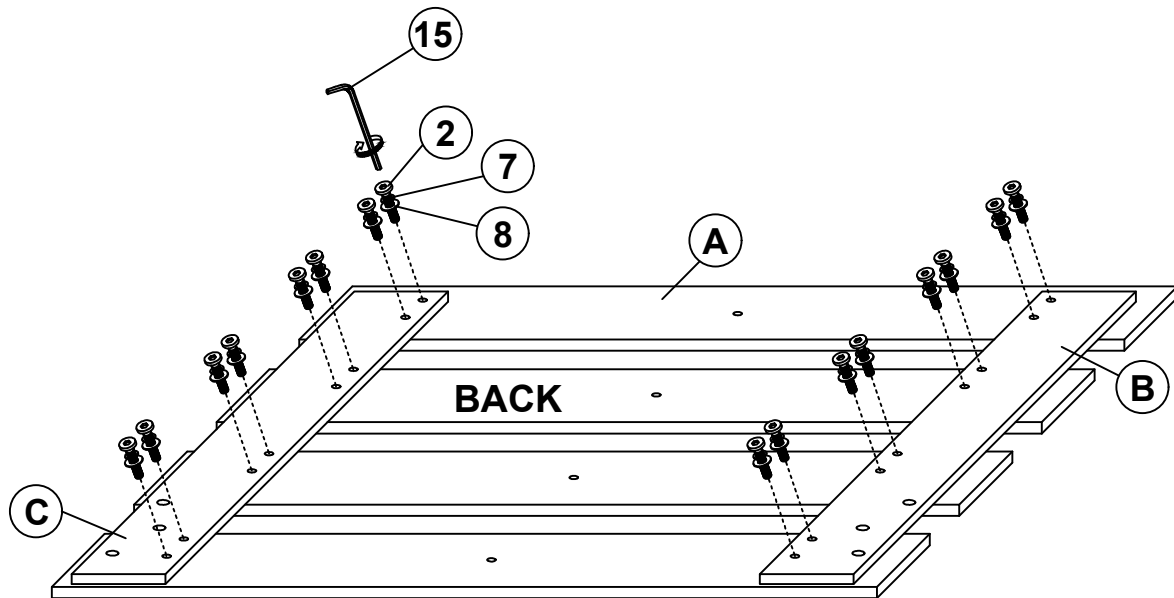
Phillips head screw driver is required in the assembly process; however, manufacturer does not provided this item.

ITEM: 207040KE (B1&B2)

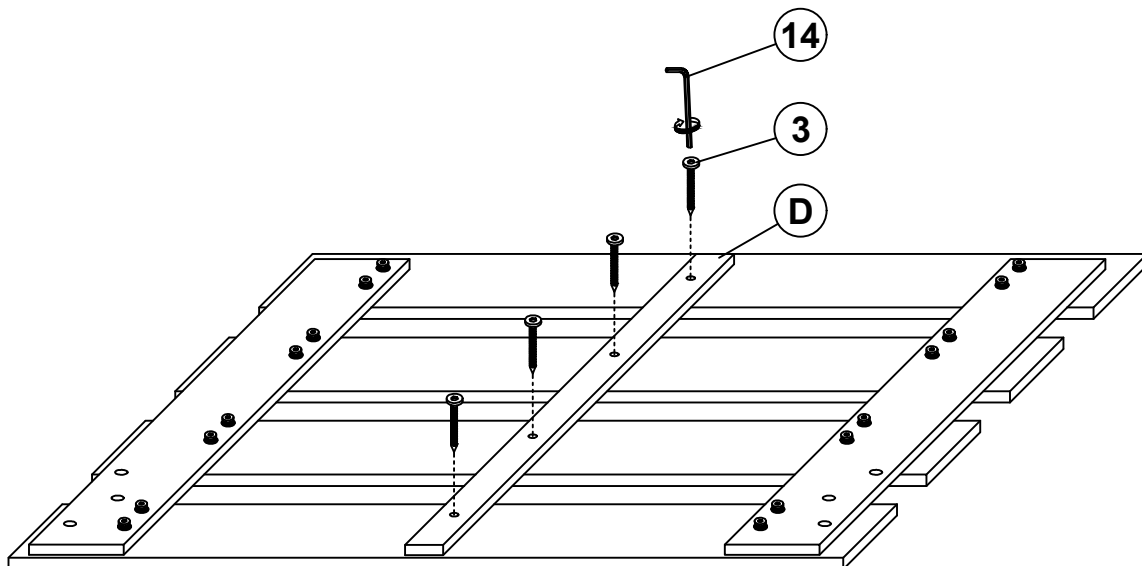


ASSEMBLY INSTRUCTIONS

STEP 1



STEP 2

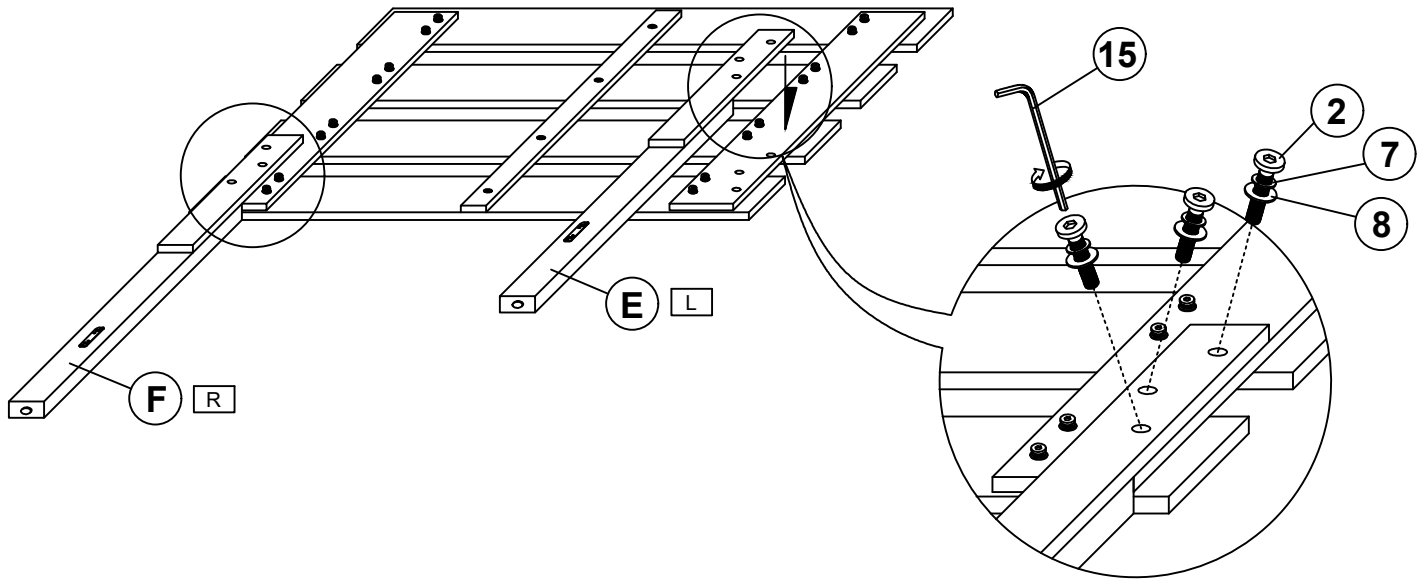


ITEM: 207040KE (B1&B2)

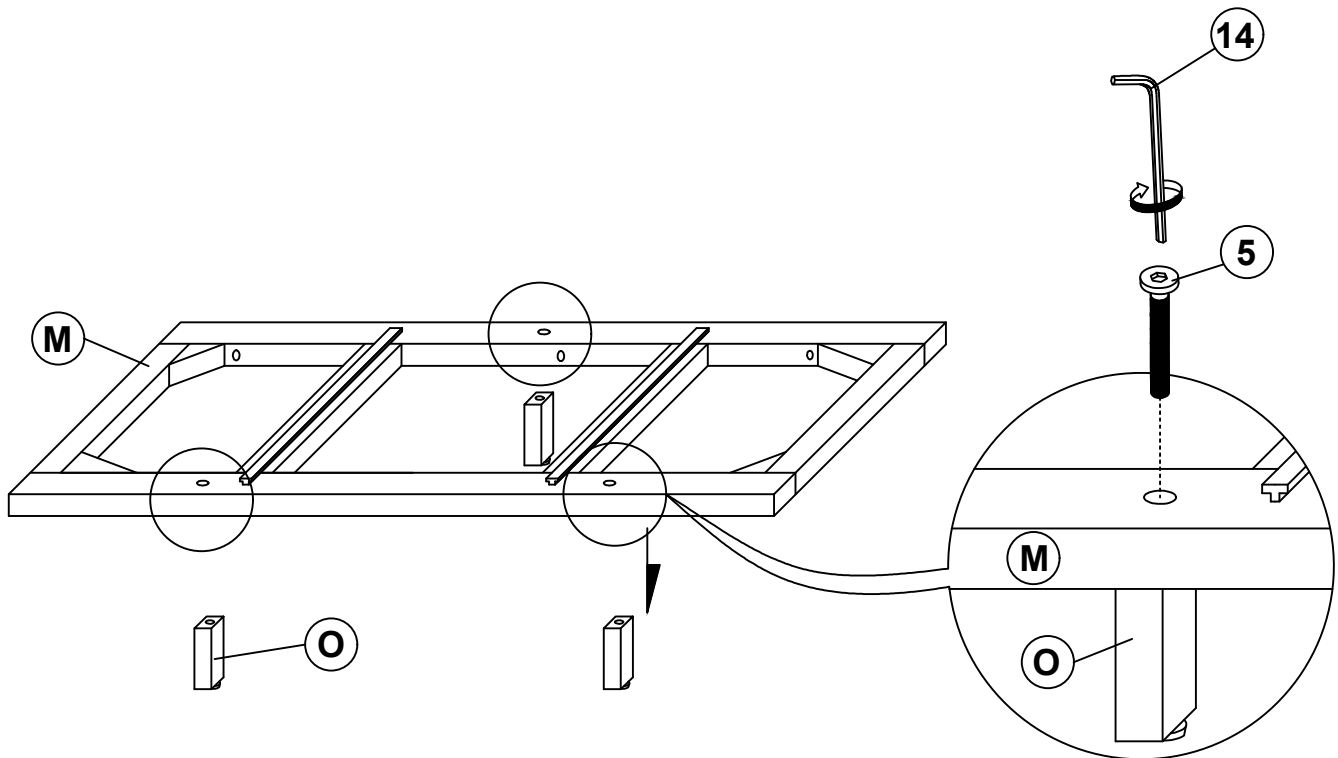


ASSEMBLY INSTRUCTIONS

STEP 3



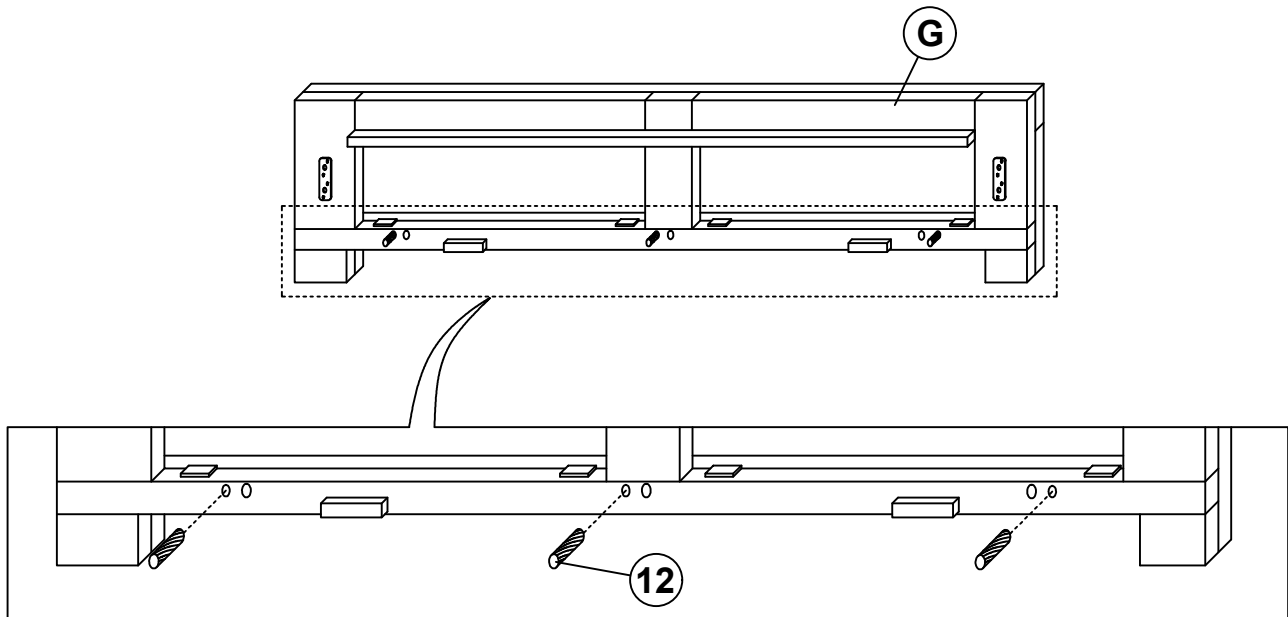
STEP 4



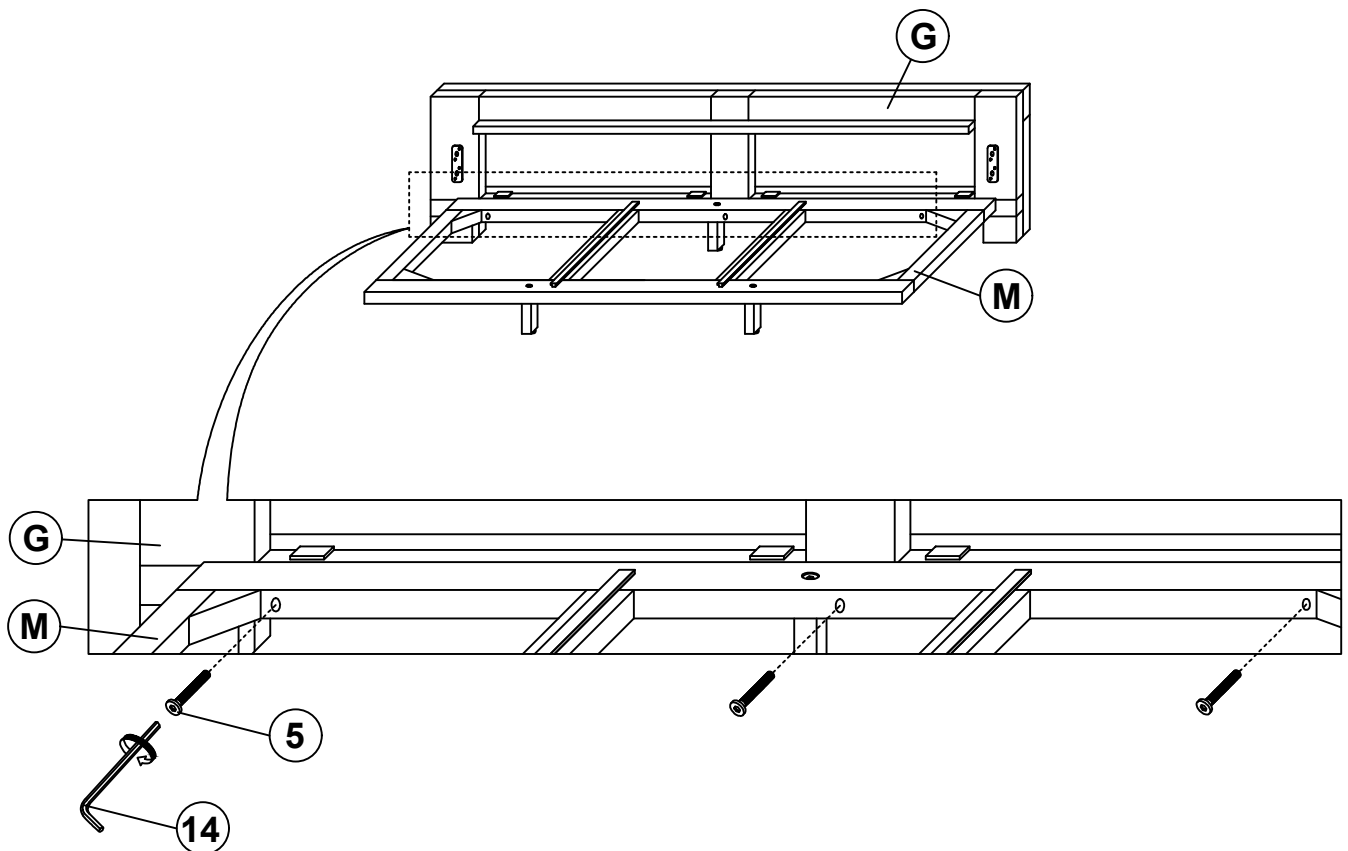
ITEM: 207040KE (B1&B2)

ASSEMBLY INSTRUCTIONS

STEP 5



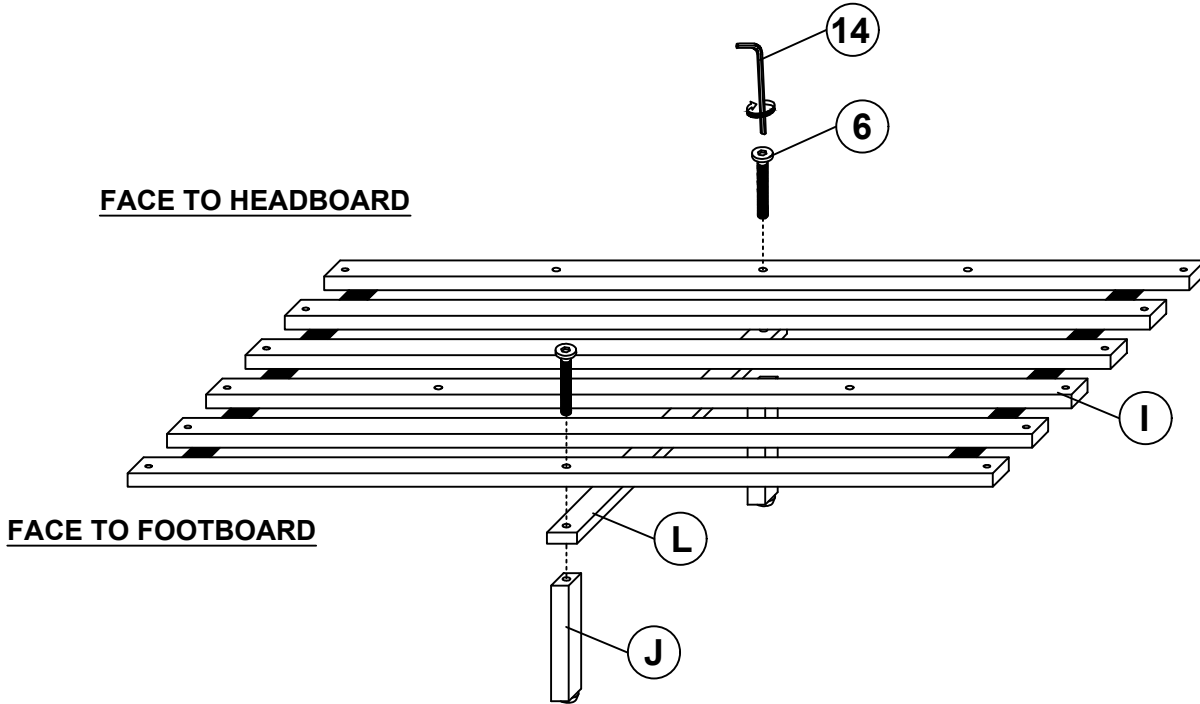
STEP 6



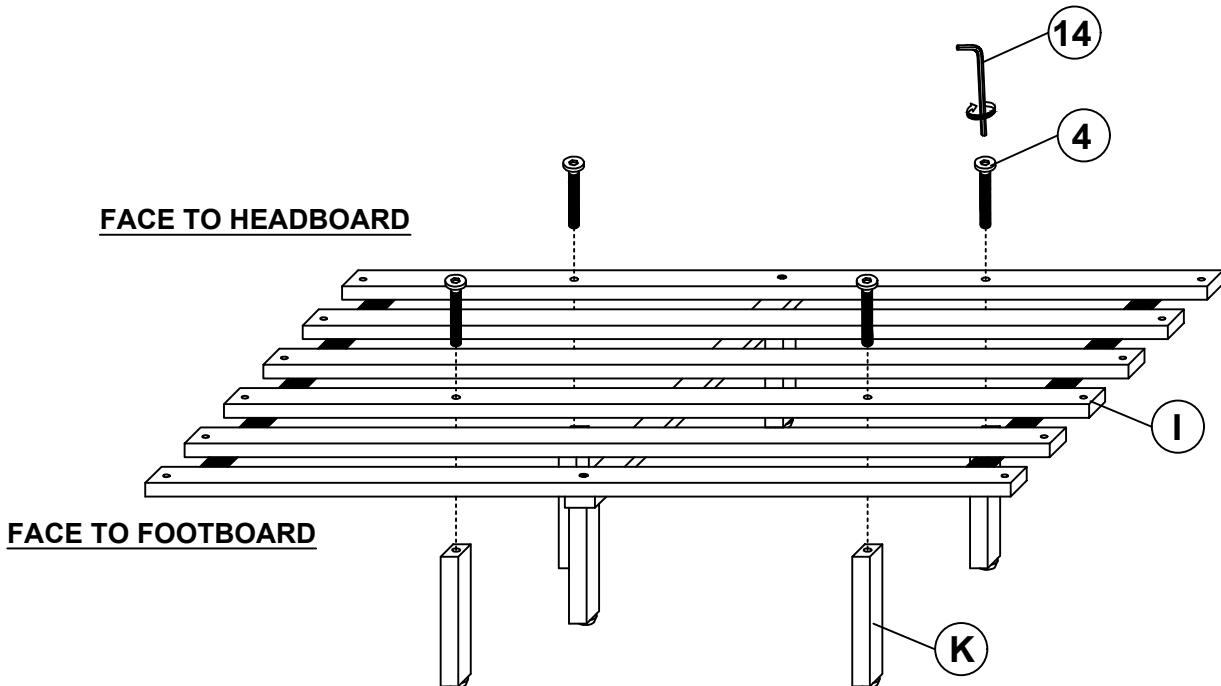
ITEM: 207040KE (B1&B2)

ASSEMBLY INSTRUCTIONS

STEP 7



STEP 8

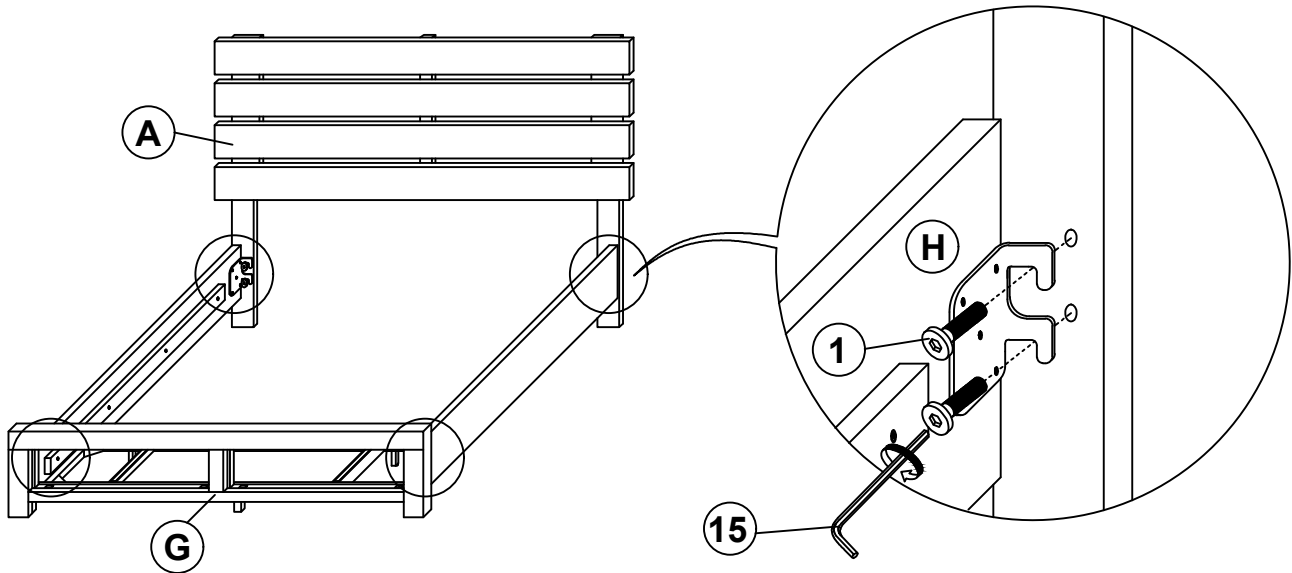
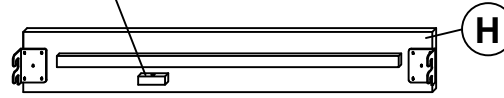


ITEM: 207040KE (B1&B2)

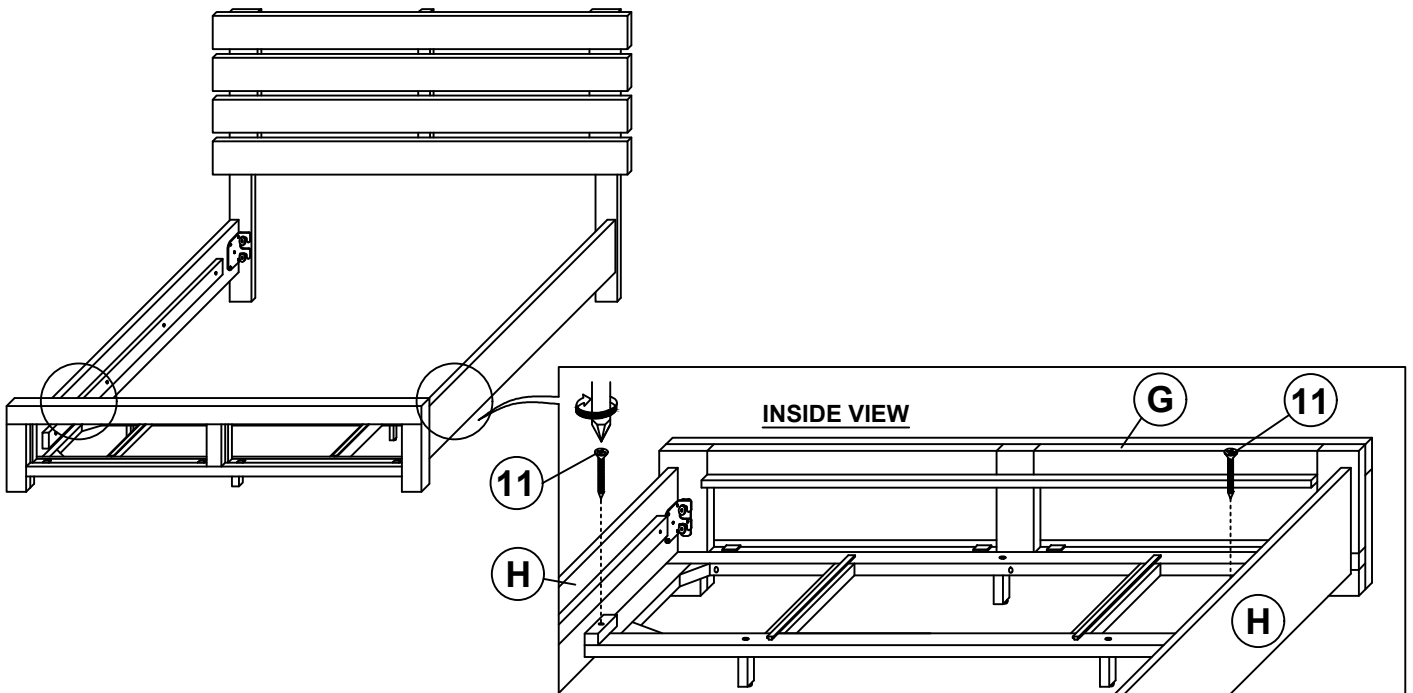
ASSEMBLY INSTRUCTIONS

STEP 9

THE SIDE WITH THE SMALL WOODEN BLOCK NEEDS TO FACE THE (G).



STEP 10

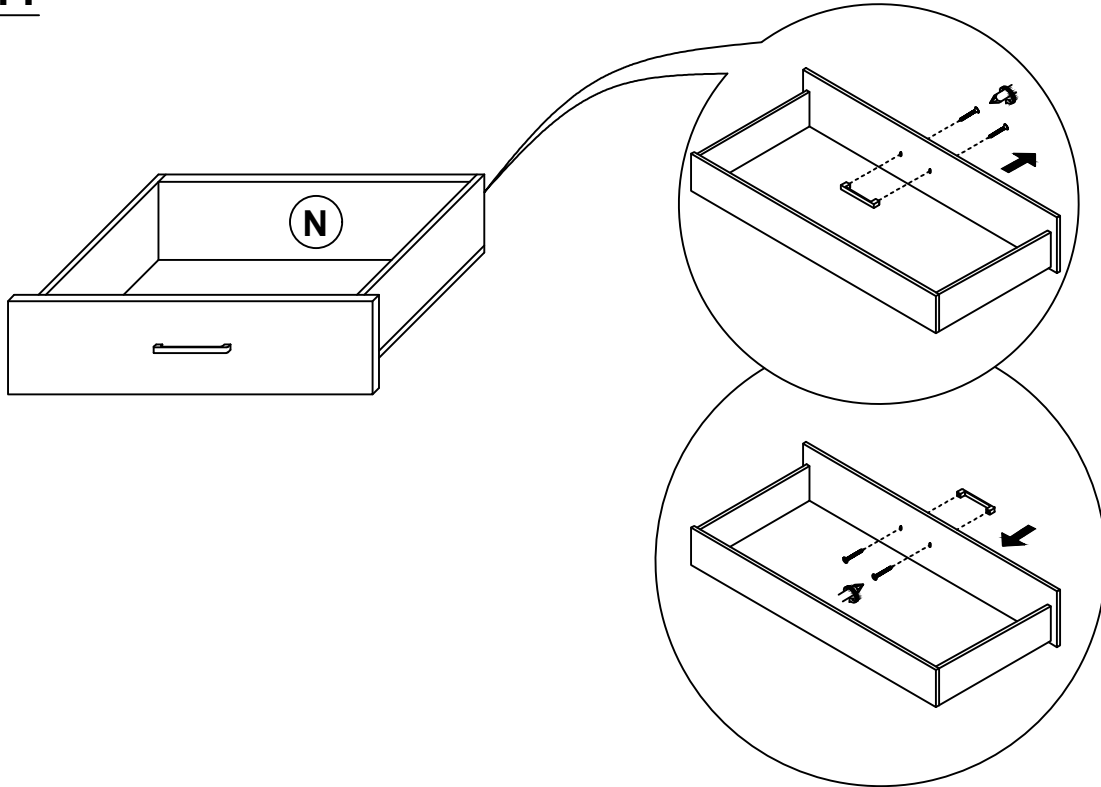


ITEM: 207040KE (B1&B2)

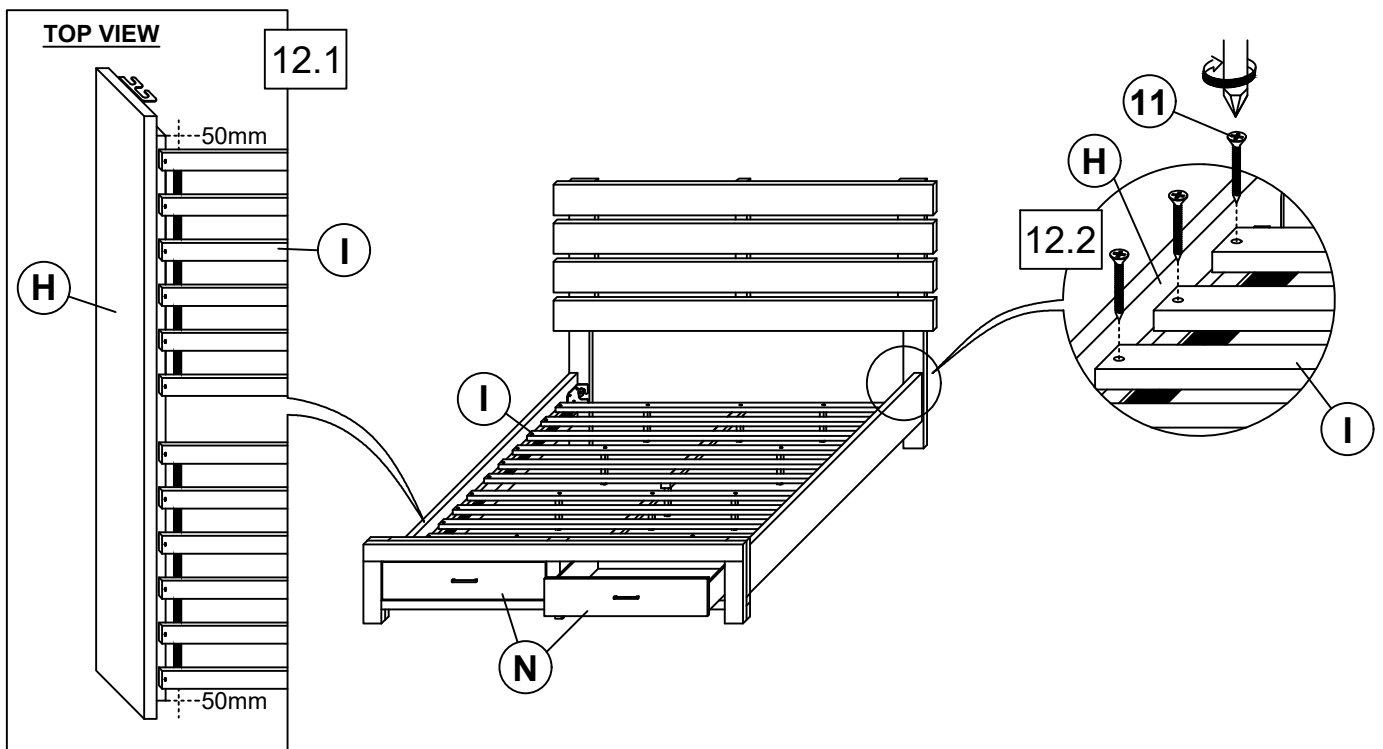
ASSEMBLY INSTRUCTIONS



STEP 11



STEP 12

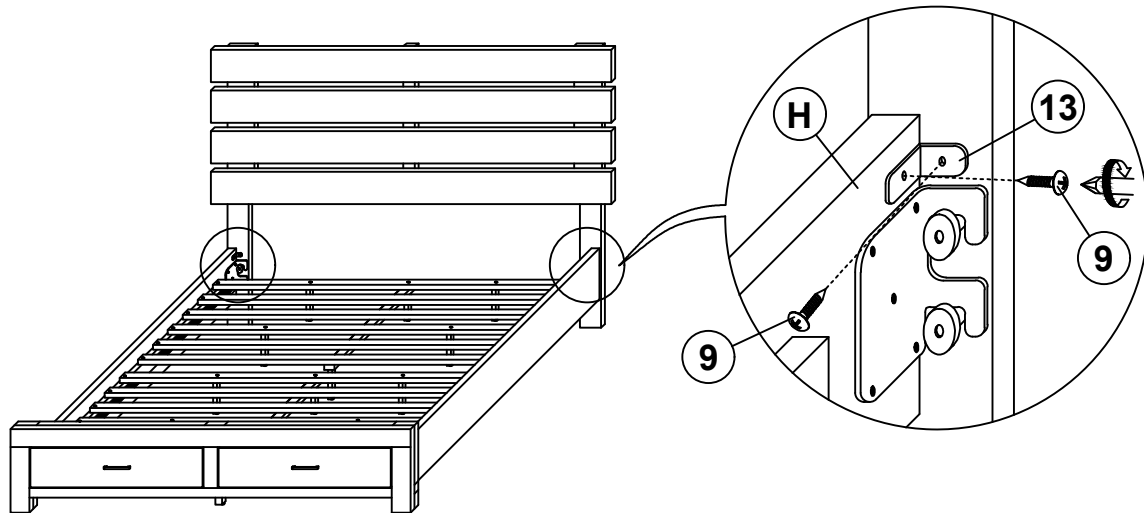


ITEM: 207040KE (B1&B2)



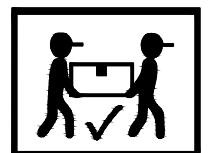
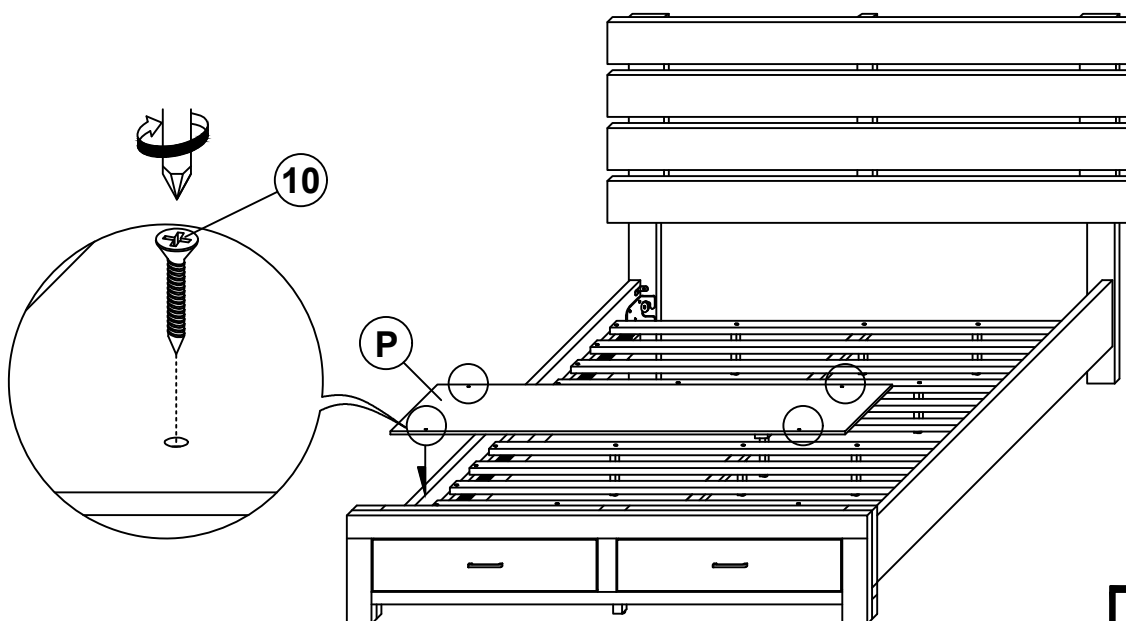
ASSEMBLY INSTRUCTIONS

STEP 13



STEP 14

COMPLETE

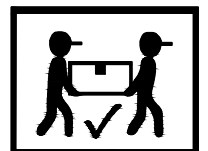
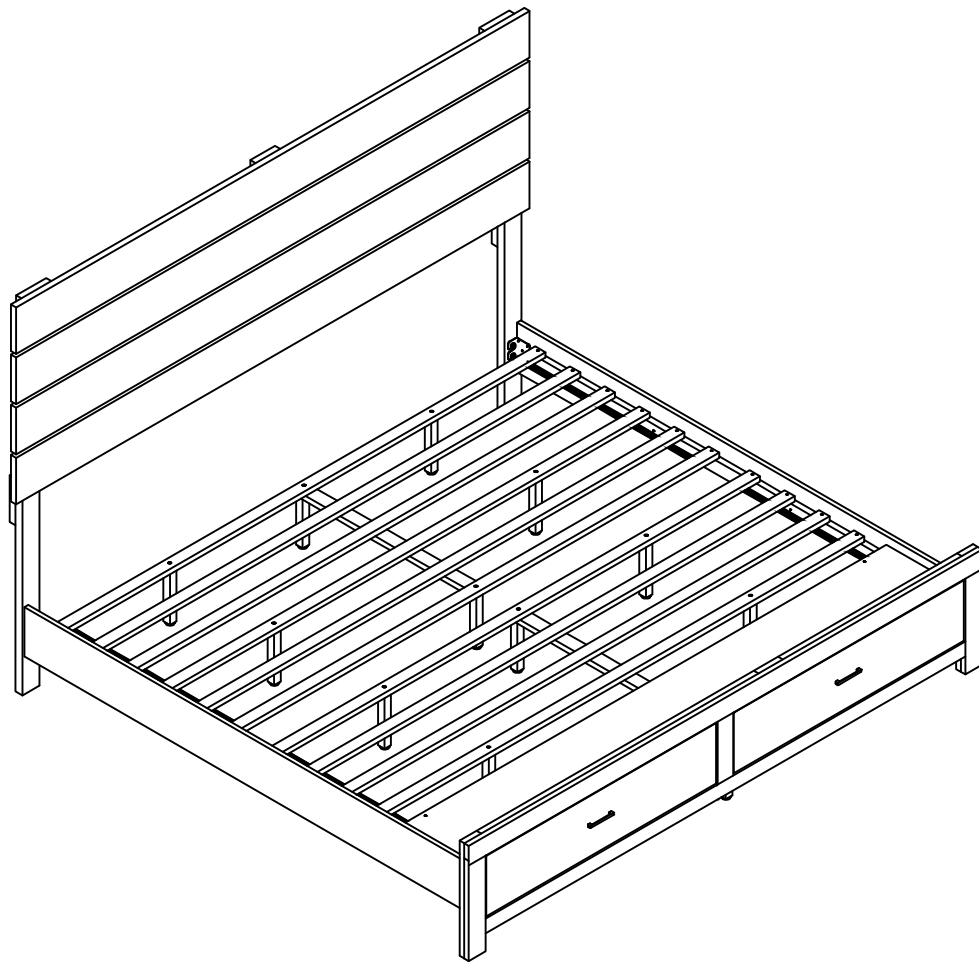


ITEM: **207040KE (B1&B2)**

ASSEMBLY INSTRUCTIONS

STEP 15

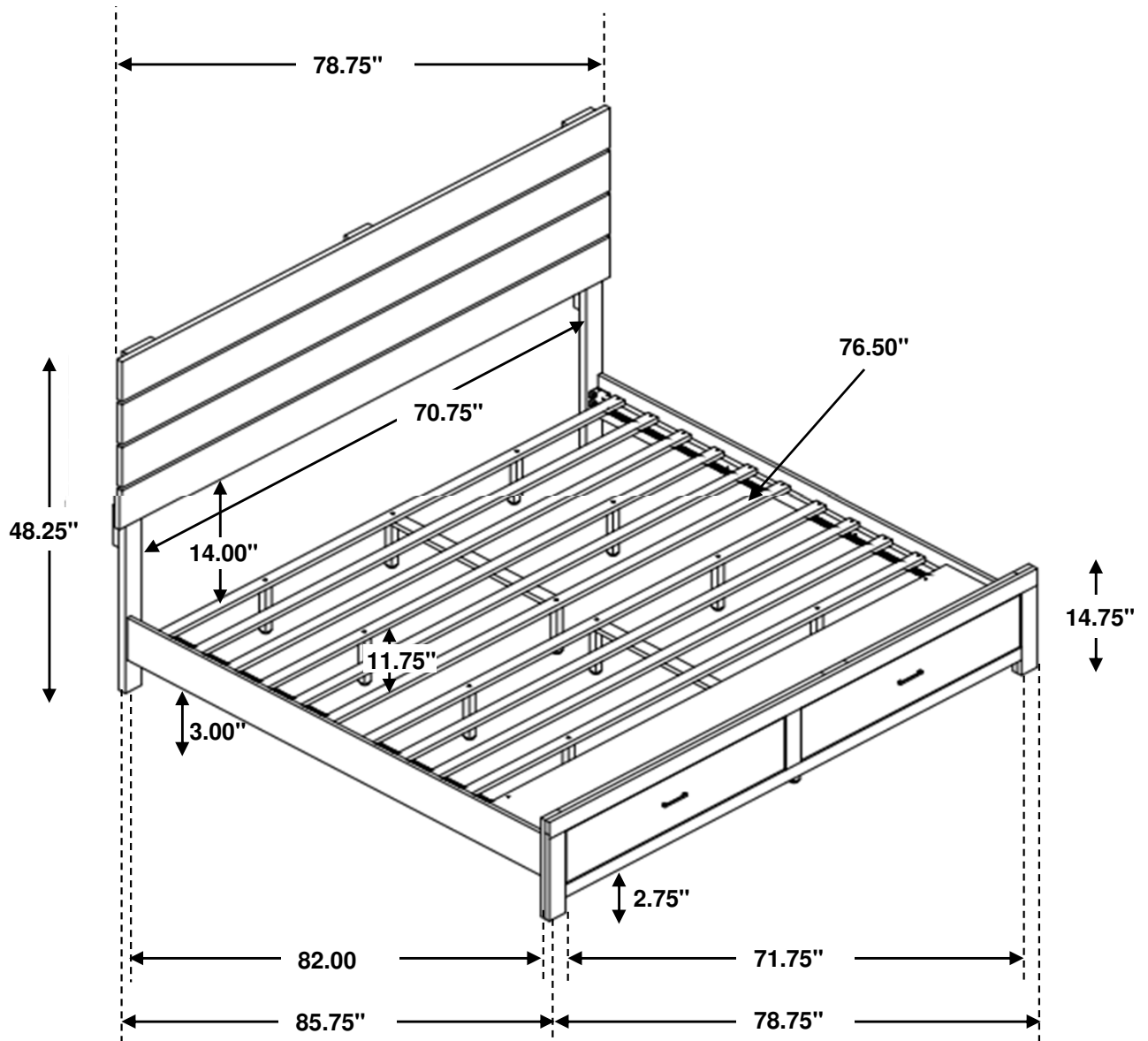
COMPLETE



ITEM: 207040KE (B1&B2)



Inner Size : 76.50"W X 82.00"D



Note : Dimension tolerance $\pm 5\%$

ASSEMBLY INSTRUCTIONS
COASTER FINE FURNITURE



Fine Furniture for every stage of life

207042
Nightstand

ITEM: **207042**



ASSEMBLY INSTRUCTIONS

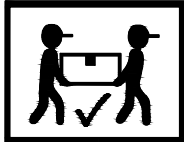
ASSEMBLY TIPS:

1. Remove hardware from box and sort by size.
2. Please check to see that all hardware and parts are present prior to start of assembly.
3. Please follow attached instructions in the same sequence as numbered to assure fast & easy assembly.



WARNING!

1. Don't attempt to repair or modify parts that are broken or defective. Please contact the store immediately.
2. This product is for home use only and not intended for commercial establishments.



ASSEMBLY TIME

10 MINUTES

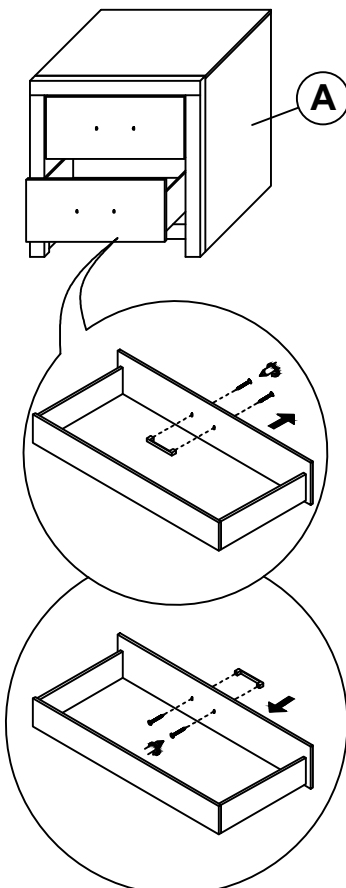
PARTS IDENTIFICATION

A **NIGHTSTAND**  **1 PC**

NOTE:

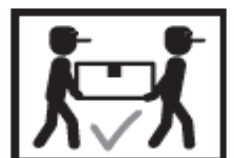
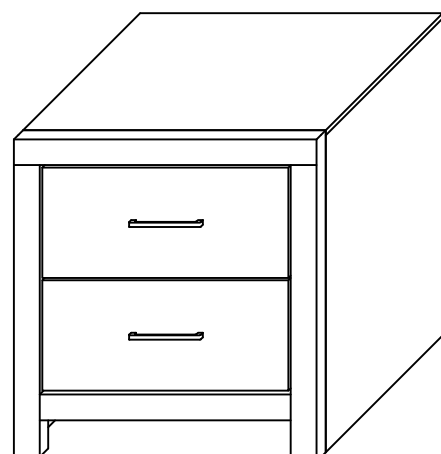
Phillips head screw driver is required in the assembly process; however, manufacturer does not provided this item.

STEP 1



STEP 2

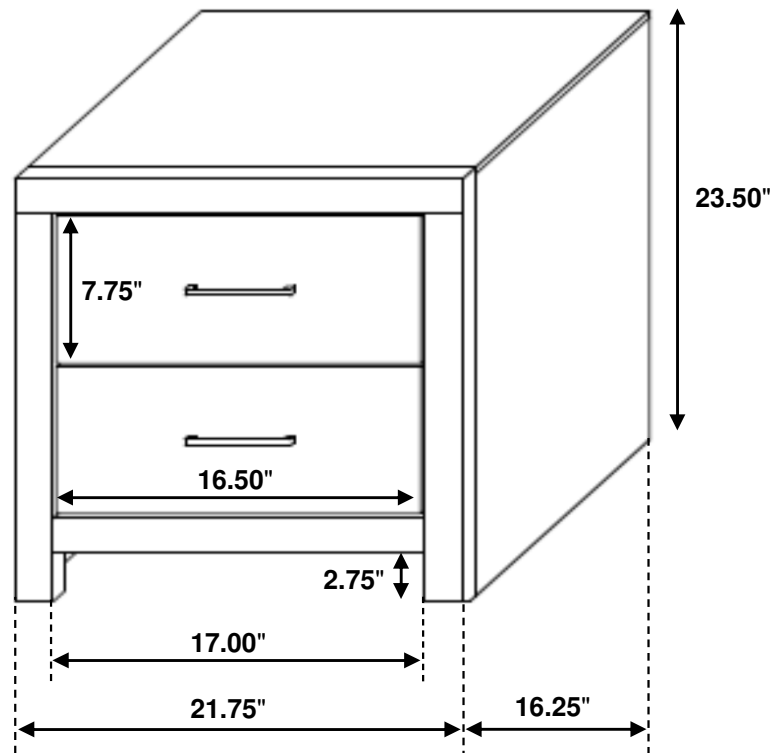
COMPLETE



ITEM: **207042**



Inner size of drawer: 15.00"W X 12.75"D X 5.00"H



Note: Dimension tolerance $\pm 5\%$

ASSEMBLY INSTRUCTIONS
COASTER FINE FURNITURE



Fine Furniture for every stage of life

207043
Dresser

ITEM: **207043**



ASSEMBLY INSTRUCTIONS

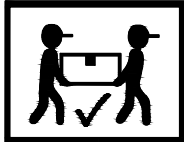
ASSEMBLY TIPS:

1. Remove hardware from box and sort by size.
2. Please check to see that all hardware and parts are present prior to start of assembly.
3. Please follow attached instructions in the same sequence as numbered to assure fast & easy assembly.



WARNING!

1. Don't attempt to repair or modify parts that are broken or defective. Please contact the store immediately.
2. This product is for home use only and not intended for commercial establishments.

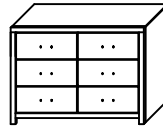


ASSEMBLY TIME

10 MINUTES

PARTS IDENTIFICATION

A DRESSER

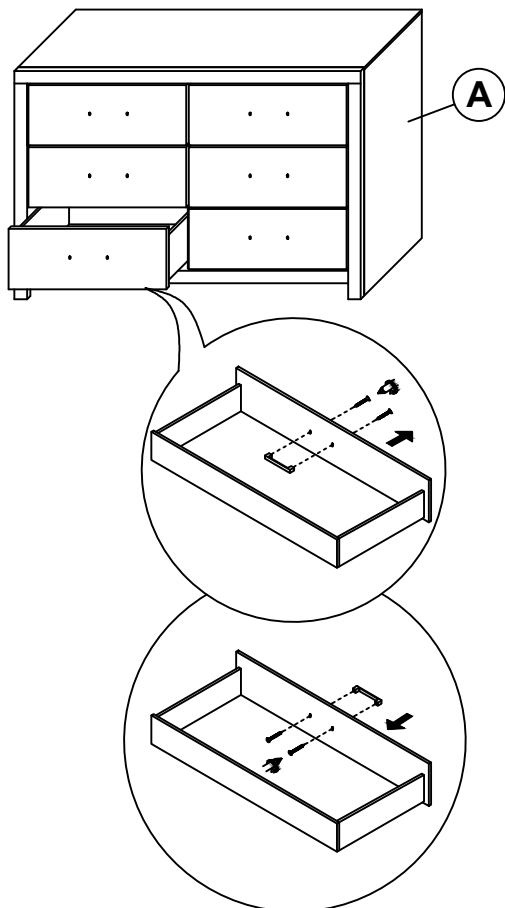


1 PC

NOTE:

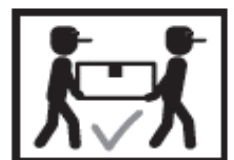
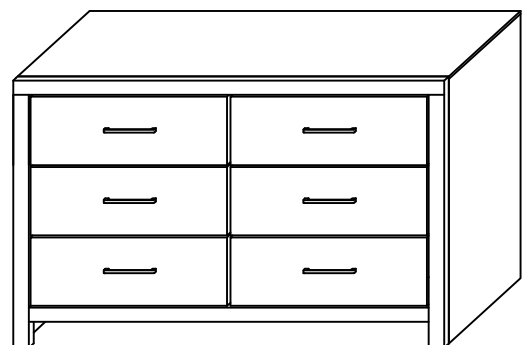
Phillips head screw driver is required in the assembly process; however, manufacturer does not provided this item.

STEP 1



STEP 2

COMPLETE



ITEM: **207043**



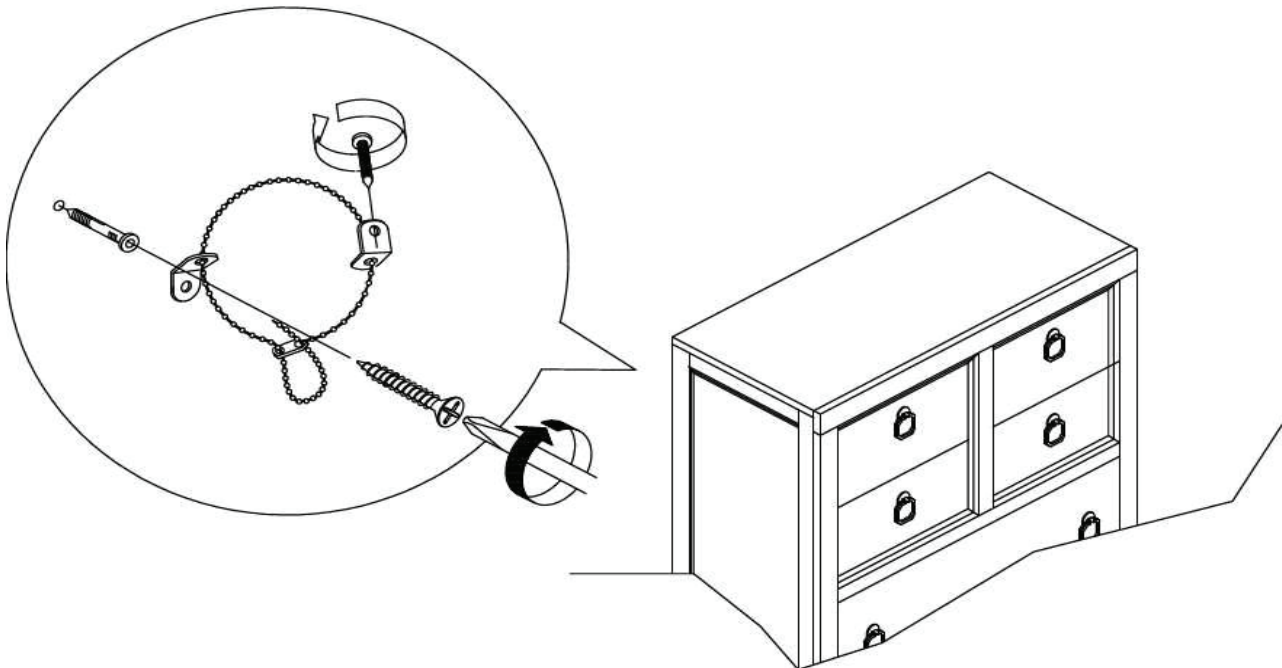
ANTI-TIPPING INSTALLMENT INSTRUCTIONS

FURNITURE TIPPING RESTRAINT

WARNING

Injury may result from tipping furniture.
This restraint may protect against tipping furniture.
Do not allow children to climb on furniture.
This restraint is not a substitute for proper adult supervision.
Failure to detach this restraint before moving the furniture may result in injury and damage.

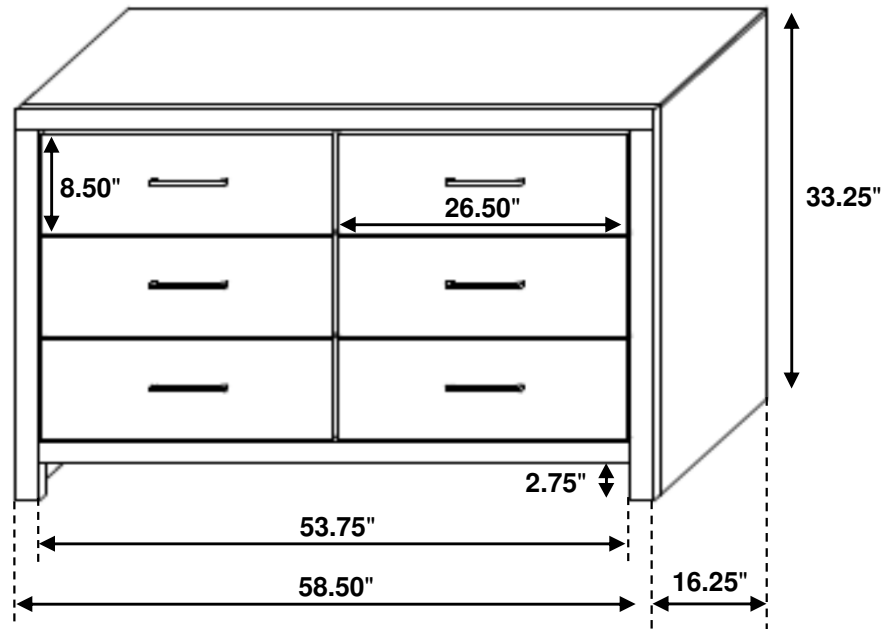
1. Attach one of the mounting brackets securely to the back edge of the furniture. Use the short screw.
2. Determine where the furniture is to be placed and mark location on the wall for the mounting bracket screw hole approximately 2" below the bracket mounted to the edge of the furniture.
3. Drill a 3/16" hole in the wall. Press the plastic wall plug into the hole and gently tap until the flange on the wall plug is against the wall surface.
4. Position the bracket over the wall plug and use the long screw to securely attach the bracket to the wall.
5. Place the furniture so the bracket on the back edge is in line with the bracket on the wall.
6. Lace an end of the cable tie down through each bracket. Bring both ends together and slide the beaded end of the cable tie through the keyhole shaped slot on the other end until snug. Pull down on the beaded end until it snap locks into the keyhole slot.
7. To double lock return the beaded end back through the keyhole as shown.
8. Check to make sure the cable tie is securely laced and locked to the brackets.



ITEM: 207043



Inner size of drawer: 23.00"W X 12.75"D X 5.00"H



Note: Dimension tolerance $\pm 5\%$

ASSEMBLY INSTRUCTIONS
COASTER FINE FURNITURE



Fine Furniture for every stage of life

207044
Mirror

ITEM: **207044**



ASSEMBLY INSTRUCTIONS

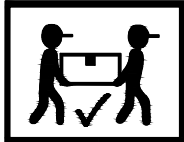
ASSEMBLY TIPS:

1. Remove hardware from box and sort by size.
2. Please check to see that all hardware and parts are present prior to start of assembly.
3. Please follow attached instructions in the same sequence as numbered to assure fast & easy assembly.



WARNING!




1. Don't attempt to repair or modify parts that are broken or defective. Please contact the store immediately.
2. This product is for home use only and not intended for commercial establishments.







ASSEMBLY TIME

10 MINUTES

PARTS IDENTIFICATION

A	MIRROR		1 PC
B	MIRROR SUPPORT (PACKED WITH MIRROR)		2 PCS
C	DRESSER *FROM BOX ITEM 207053		1 PC

HARDWARE IDENTIFICATION

1	BOLT (M6 x 40mm - RBW)		8 PCS
2	LOCK WASHER (1/4" x 12 ϕ - RBW)		8 PCS
3	FLAT WASHER (1/4" x 19 ϕ - RBW)		8 PCS
4	ALLEN WRENCH (M4 x 65mm - BLK)		1 PC

NOTE:

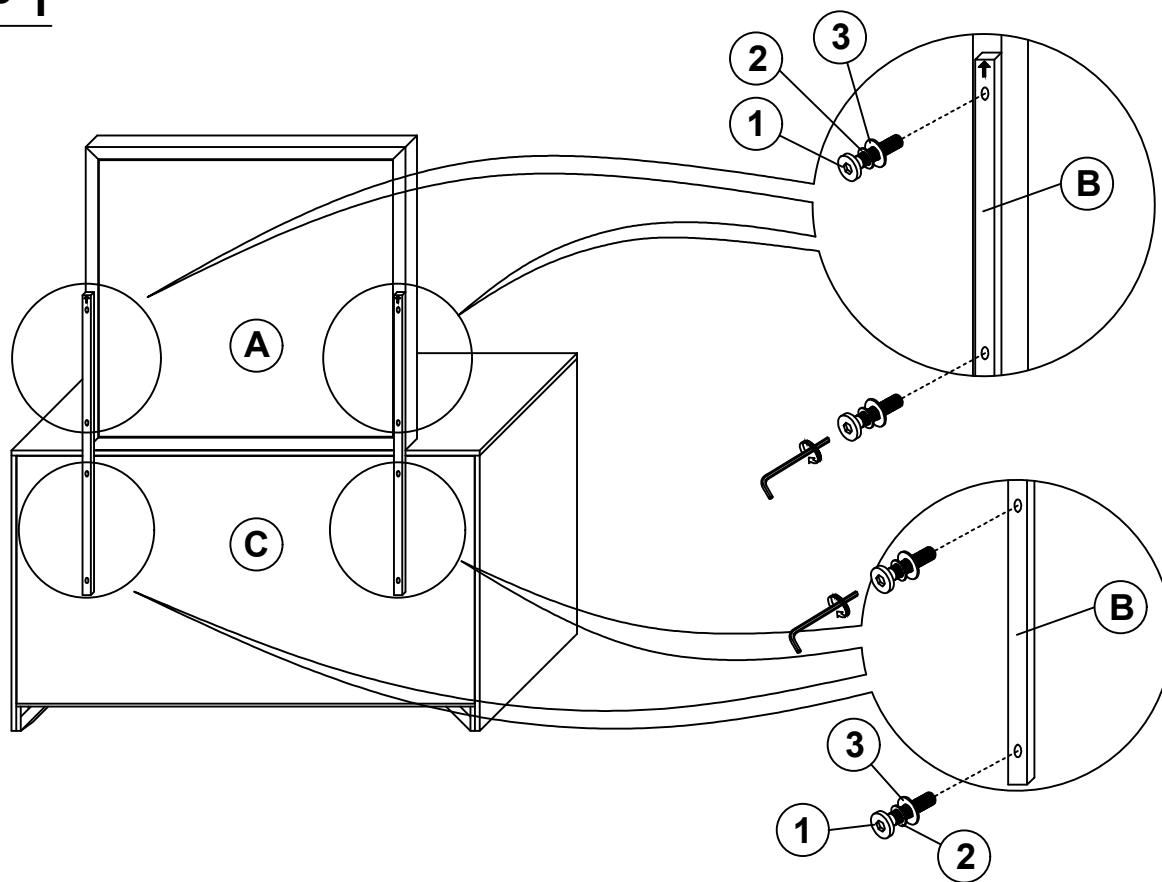
Phillips head screw driver is required in the assembly process; however, manufacturer does not provided this item.

ITEM: **207044**

ASSEMBLY INSTRUCTIONS

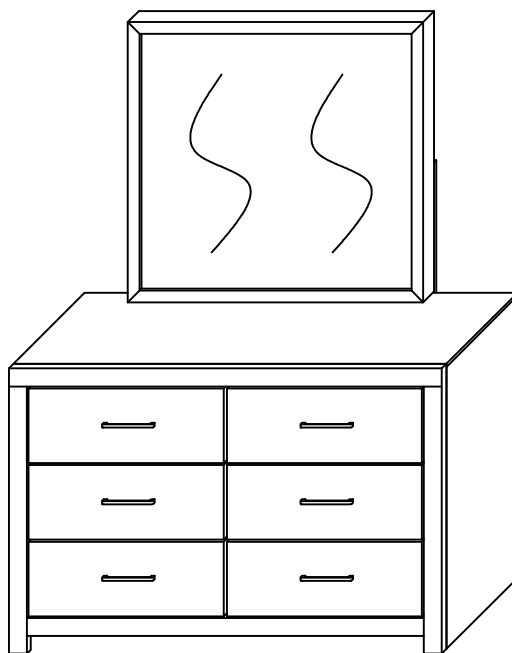


STEP 1



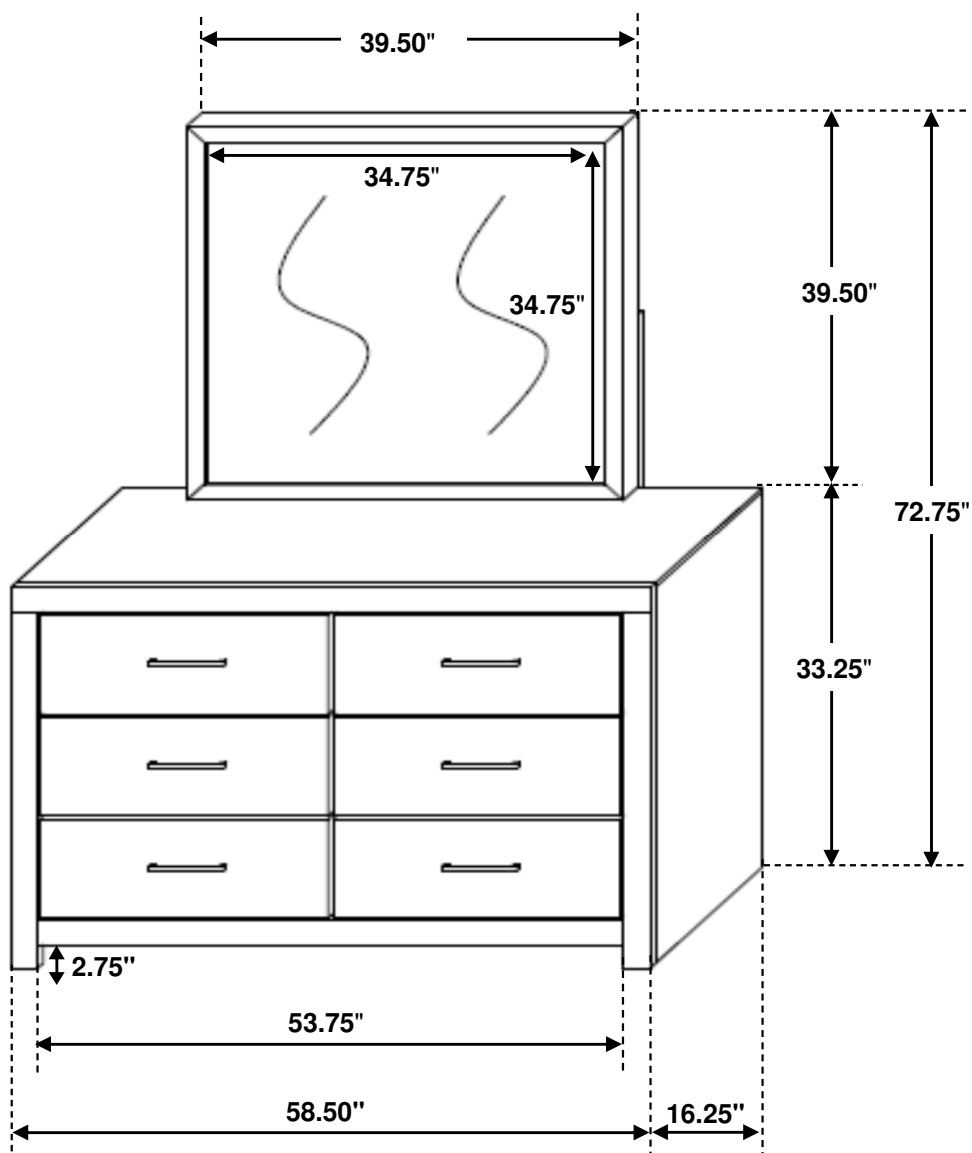
STEP 2

COMPLETE



ITEM: 207044

COASTER
FINE FURNITURE



Note: Dimension tolerance $\pm 5\%$

ASSEMBLY INSTRUCTIONS
COASTER FINE FURNITURE



Fine Furniture for every stage of life

207045
Chest

ITEM: **207045**



ASSEMBLY INSTRUCTIONS

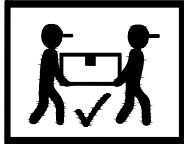
ASSEMBLY TIPS:

1. Remove hardware from box and sort by size.
2. Please check to see that all hardware and parts are present prior to start of assembly.
3. Please follow attached instructions in the same sequence as numbered to assure fast & easy assembly.



WARNING!

1. Don't attempt to repair or modify parts that are broken or defective. Please contact the store immediately.
2. This product is for home use only and not intended for commercial establishments.



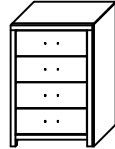
ASSEMBLY TIME

10 MINUTES

PARTS IDENTIFICATION

A

CHEST

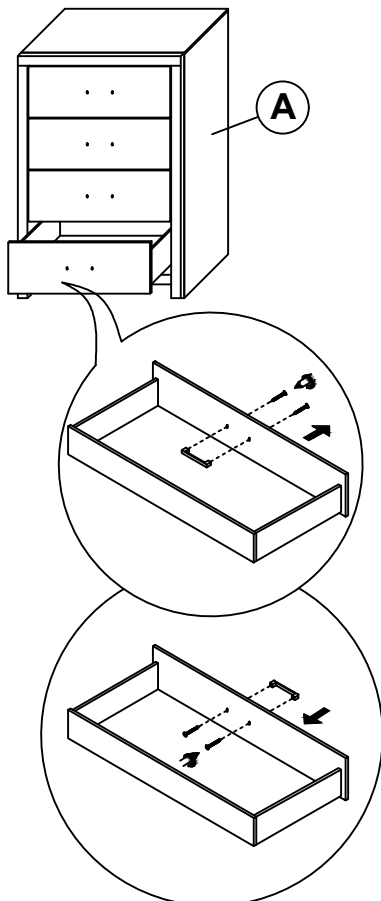


1 PC

NOTE:

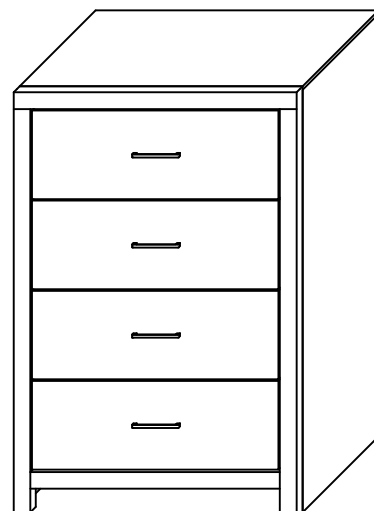
Phillips head screw driver is required in the assembly process; however, manufacturer does not provided this item.

STEP 1



STEP 2

COMPLETE



ITEM: **207045**



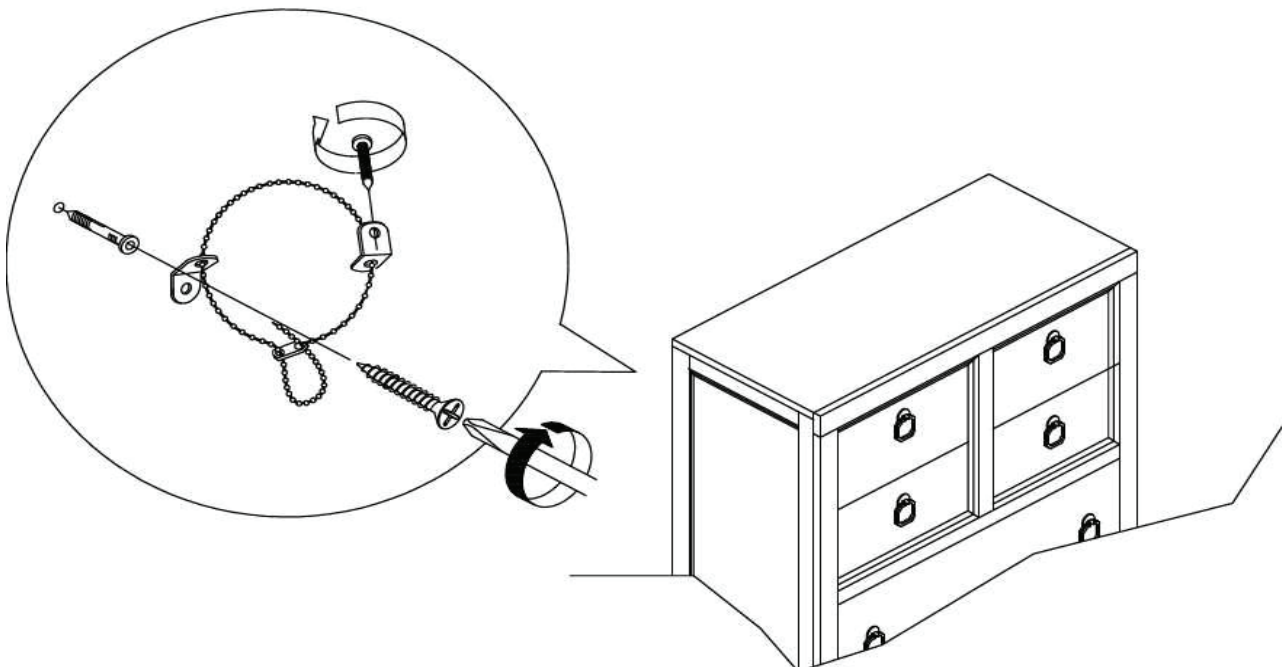
ANTI-TIPPING INSTALLMENT INSTRUCTIONS

FURNITURE TIPPING RESTRAINT

WARNING

Injury may result from tipping furniture.
This restraint may protect against tipping furniture.
Do not allow children to climb on furniture.
This restraint is not a substitute for proper adult supervision.
Failure to detach this restraint before moving the furniture may result in injury and damage.

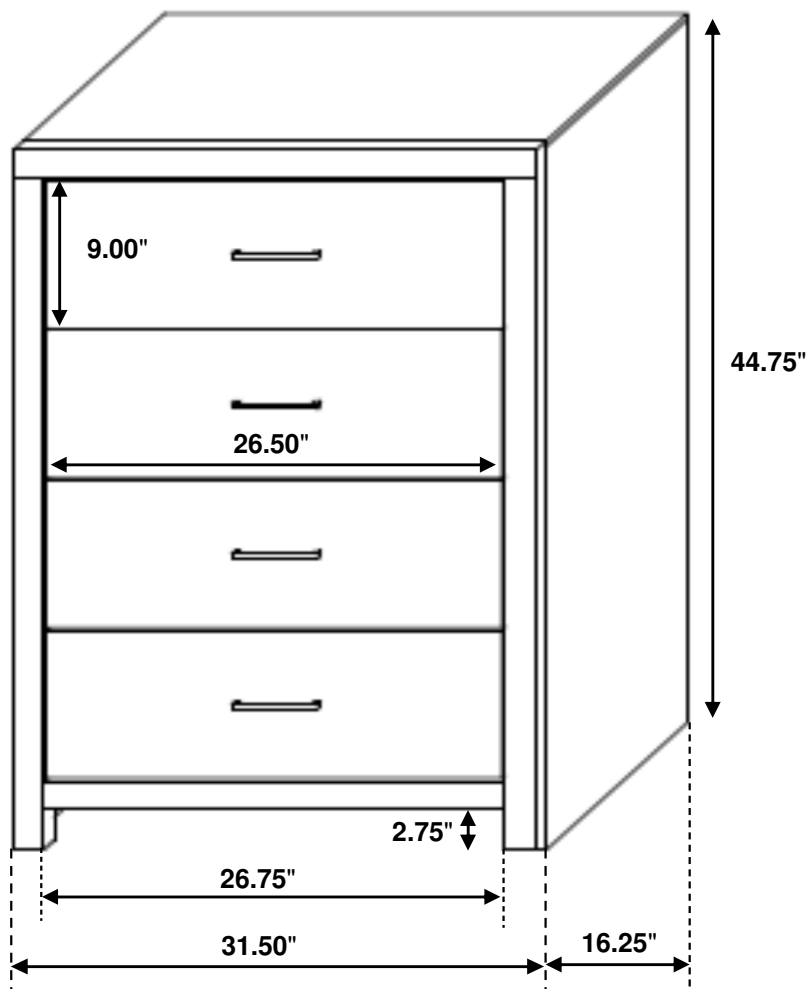
1. Attach one of the mounting brackets securely to the back edge of the furniture. Use the short screw.
2. Determine where the furniture is to be placed and mark location on the wall for the mounting bracket screw hole approximately 2" below the bracket mounted to the edge of the furniture.
3. Drill a 3/16" hole in the wall. Press the plastic wall plug into the hole and gently tap until the flange on the wall plug is against the wall surface.
4. Position the bracket over the wall plug and use the long screw to securely attach the bracket to the wall.
5. Place the furniture so the bracket on the back edge is in line with the bracket on the wall.
6. Lace an end of the cable tie down through each bracket. Bring both ends together and slide the beaded end of the cable tie through the keyhole shaped slot on the other end until snug. Pull down on the beaded end until it snap locks into the keyhole slot.
7. To double lock return the beaded end back through the keyhole as shown.
8. Check to make sure the cable tie is securely laced and locked to the brackets.



ITEM: **207045**



Inner size of drawer: 23.00"W X 12.75"D X 5.00"H



Note: Dimension tolerance $\pm 5\%$