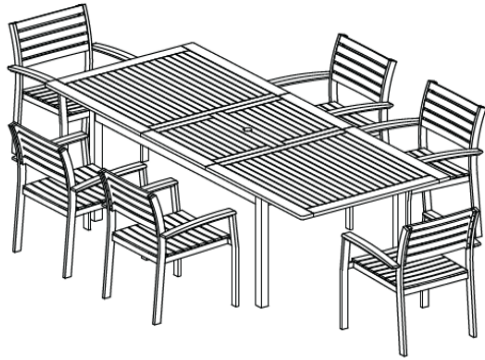


ASSEMBLY GUIDE



Important - Please read these instructions fully before starting assembly



SAFETY AND CARE ADVICE



NO POWER TOOLS

SAFETY AND CARE ADVICE

- Check you have all the components and tools listed.
- Remove all fittings from the plastic bags and separate them into their groups.
- We do not recommend the use of power drills/drivers for inserting screws, as this could damage the unit. Only use hand screwdrivers and Allen keys.
- Keep children and animals away from the work area, small parts could cause choking if swallowed.
- Make sure you have enough space to lay out the parts before starting.
- Assemble the item as close to its final position as possible.
- Do not overtighten the nuts to avoid causing damage to the threads.
- Only clean using a damp cloth and mild detergent, do not use bleach or abrasive cleaners.
- From time to time check that there are no loose screws on this unit
- This product should not be discarded with household waste. Take to your local authority waste disposal centre

IMPORTANT INFORMATION



30 MINUTE
BUILD

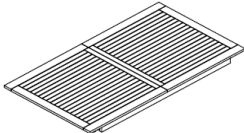

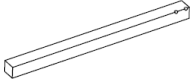




TWO
PERSON



MAXIMUM CAPACITY
TABLE - 75Kg
CHAIR - 110Kg

PLEASE CHECK CAREFULLY AND MAKE SURE YOU HAVE ALL FITTINGS AND TOOLS LISTED BELOW BEFORE YOU START.

<p>Ⓐ x1</p> 	 <p>Ⓚ Bolt (M8x60mm)</p> <p>8</p>
<p>Ⓑ x4</p> 	 <p>Ⓛ Washers (M8*18x2mm)</p> <p>8</p>  <p>Ⓜ Allen key</p> <p>1</p>



6 x Fully Assembled Chairs

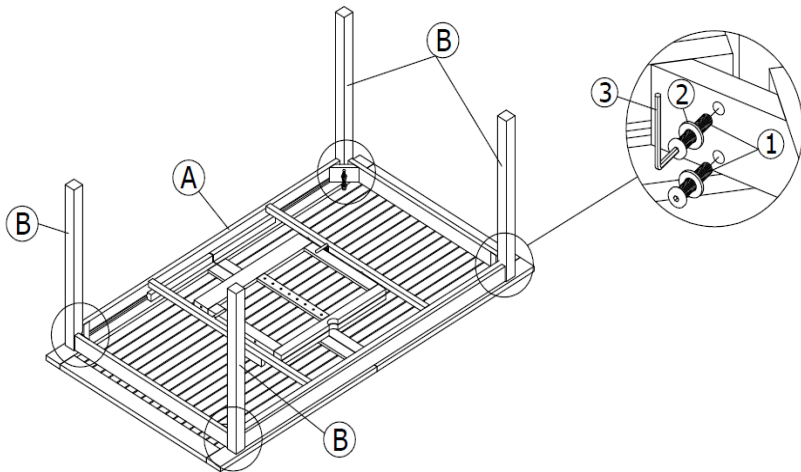
NOTE: The quantities above are the correct amount to complete the assembly. In some cases more fittings may be supplied than are required.

STEP 1

Carefully, unpackage your 6 dining chairs. These do not require any assembly.

Use a clear, flat, soft surface to avoid bumps or scratches. Lay all your components and fixings out.

Place the table top [A] upside down and align 4 x legs [B] with the pre-drilled holes on each corner. Attach using 2 x washers [2] + 2 x bolt [1] - 8 of each in total. Tighten with allen key [3].



STEP 2

Carefully, and with help, flip your table so it stands on the feet. Check stability. Your table is now ready to use!

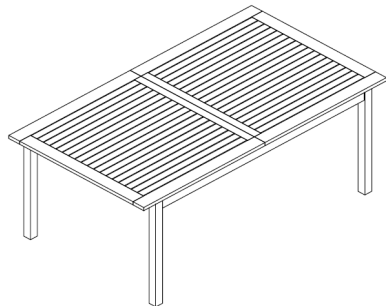
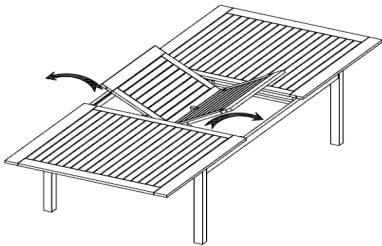
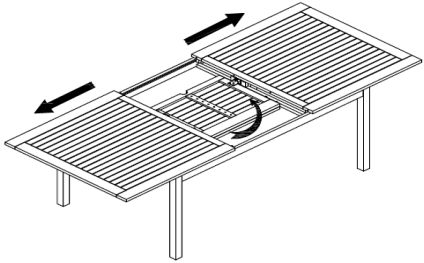


Table Extension

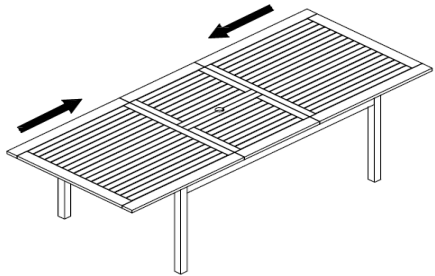
STEP 3

Extending the table
Carefully, and with help,
separate the two sections of
the table top.
Un fold the extension panels
into the centre of the table.



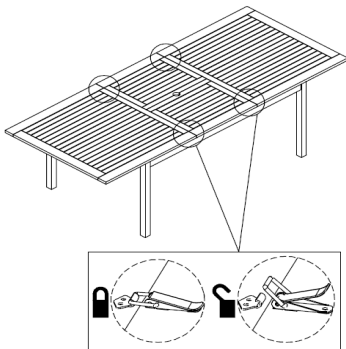
STEP 4

Carefully, separate and lay
down the extension panels
to rest on the table top
frame.



STEP 5

Slot the two end sections
of the table top back in
until they are flush against
the extension panels.



STEP 6

Secure the extension
panels in place using the
pre-attached clips under
the table top.

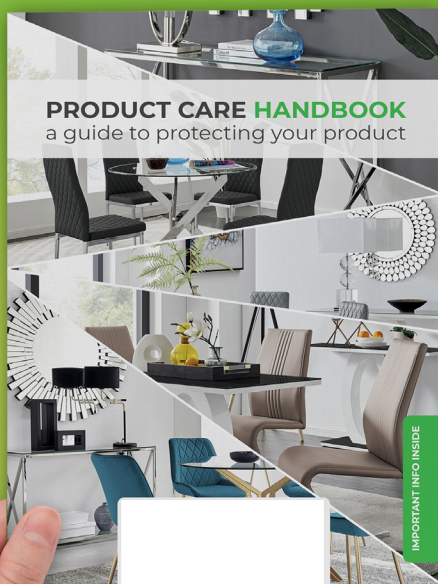


WE **L**OVE INTERIORS! SHARE YOURS WITH US ON SOCIAL MEDIA

1. follow us on Instagram
2. post your interior
3. tag us to be featured

LOOKING GOOD!

Now you've assembled your product find out how to care for your item and keep it looking brand new.





OUR 2 YEAR* GUARANTEE

our products come with a 2 year guarantee to give you peace of mind shopping at

*excludes some garden furniture items which have a 1 year guarantee



WHAT THE GUARANTEE COVERS



PRE-INSERTED FIXINGS

e.g. lose metal threads



FAULTY JOINTS

e.g. legs bending



EXTERNAL FIXING FAULTS

e.g. bonding/glue



STRUCTURAL INTEGRITY

e.g. the frame of the product