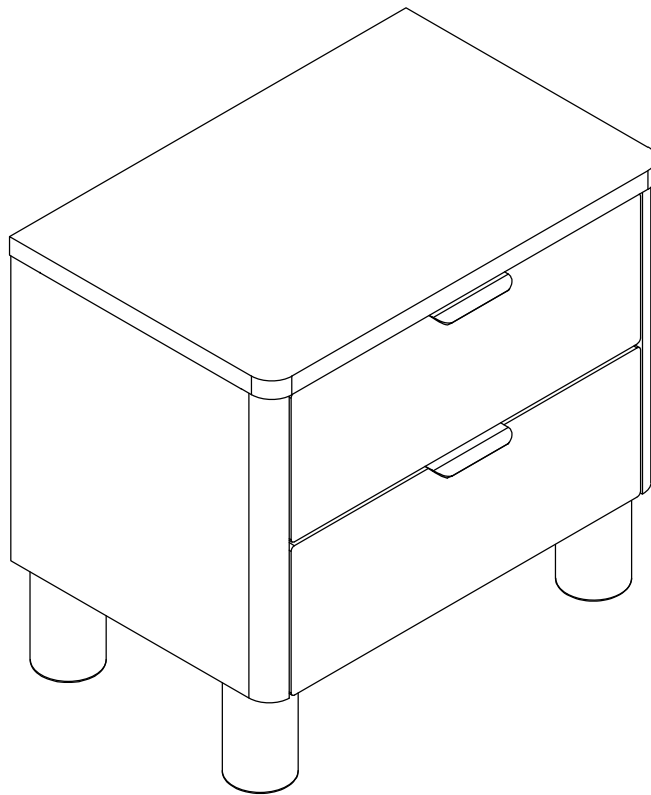


# End Table

SKU WHIF2694



## ASSEMBLY INSTRUCTIONS



60 min. assembly

2 person

\*The estimated assembly time may vary depending on the individual.

# Hey, there

Now is assembly time!

Deeeeep breathe.... and again....  
Tools ready,  
Easy peasy!

## Estimated



60 min. assembly  
2 person

## Tools Required

- Screwdriver(not included)

**important:** *Cautious when you use power tools*

## Need Help?

Call us at +1 909 548 6688  
Email [customerservice@luxenhome.com](mailto:customerservice@luxenhome.com)  
Submit a ticket on [www.luxenhome.com/help](http://www.luxenhome.com/help)

Thank you for purchasing this LuxenHome product. This product has been manufactured with the highest standards of safety and quality.

### **PLEASE READ ALL INSTRUCTIONS CAREFULLY BEFORE ASSEMBLY.**

Unpack all parts from the packaging inside the carton to ensure there are no missing or damaged parts. Lay out all the parts on a clean, flat, and soft surface to prevent scratches. Refer to the steps provided as assembling guide.

Do not attempt to assemble or use the product if any parts are missing or damaged.

## REMINDERS

### **SAFE USAGE IS KEY**

Your well-being is our top priority when you use our product. Please prioritize your safety by diligently following the assembly guidelines and inspecting the product carefully both when it arrives and before each use.

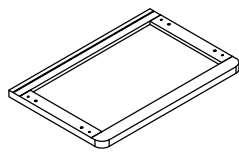
Please be aware that LuxenHome and Winsome House, Inc. cannot be held liable for any injuries or fatalities that occur due to not adhering to the provided instructions or misuse of the product.

### **DO NOT MODIFY**

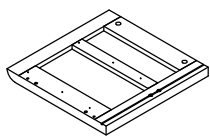
Our products undergo rigorous testing to ensure they meet established safety standards before being released for sale. Altering the product in any way can lead to serious safety concerns, for which LuxenHome cannot assume responsibility.

# What's in the box

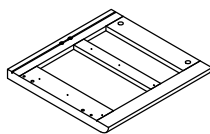
## Parts



**1** X 1  
Top Panel



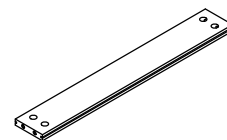
**2** X 1  
Left Side Panel



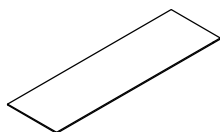
**3** X 1  
Right Side Panel



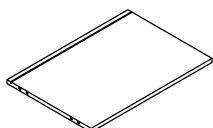
**4** X 4  
Leg



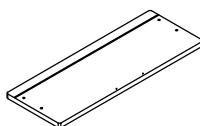
**5** X 1  
Middle Back Panel



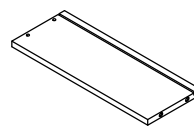
**6** X 2  
Back Panel



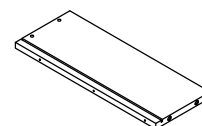
**7** X 1  
Bottom Panel



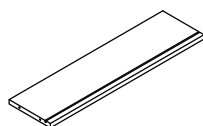
**8** X 2  
Drawer Front



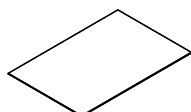
**9** X 2  
Drawer Left Side Panel



**10** X 2  
Drawer Right Side Panel

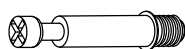


**11** X 2  
Drawer backs



**12** X 2  
Drawer Bottom Panel

## Hardware & Accessory



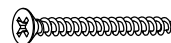
**A** X 20(+3)  
Ø6 x 35mm



**B** X 20(+3)  
Ø15x10mm



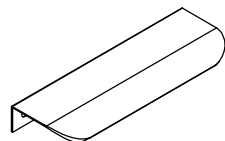
**C** X 8(+1)  
Ø6x30mm



**D** X 8  
Ø4x35mm



**E** X 28(+3)  
Ø3.5x12mm



**F** X 2



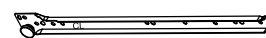
**K** X 4



**H** X 8(+1)  
Ø3x16mm



**L** X 12(+2)  
Ø4x14mm



**CL** X 2  
300mm



**CR** X 2  
300mm



**DL** X 2  
300mm

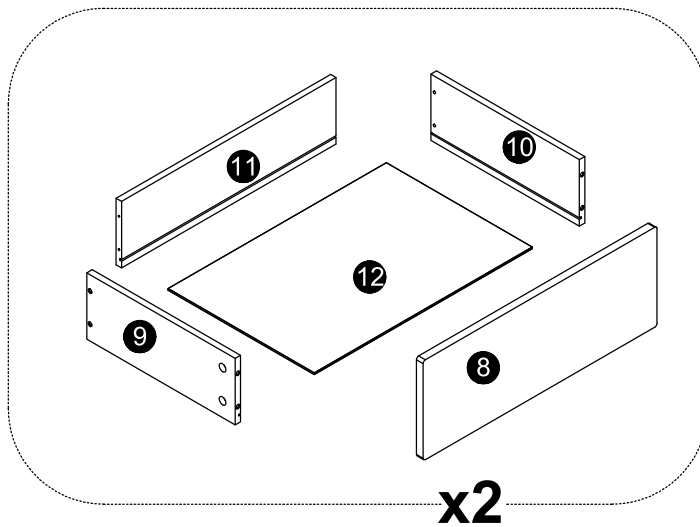
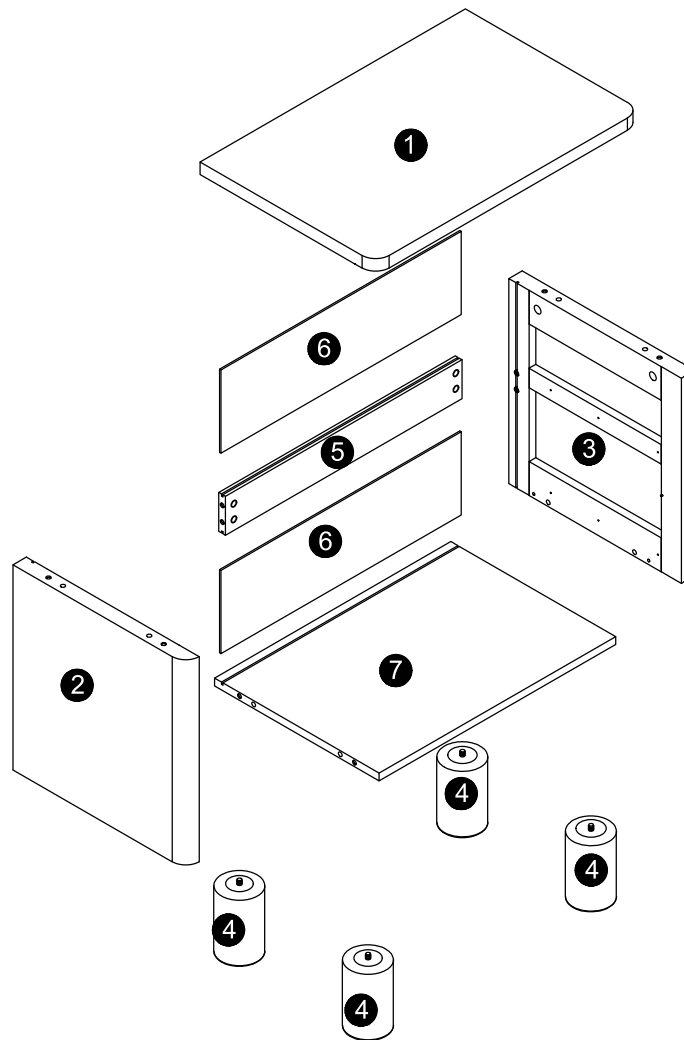


**DR** X 2  
300mm



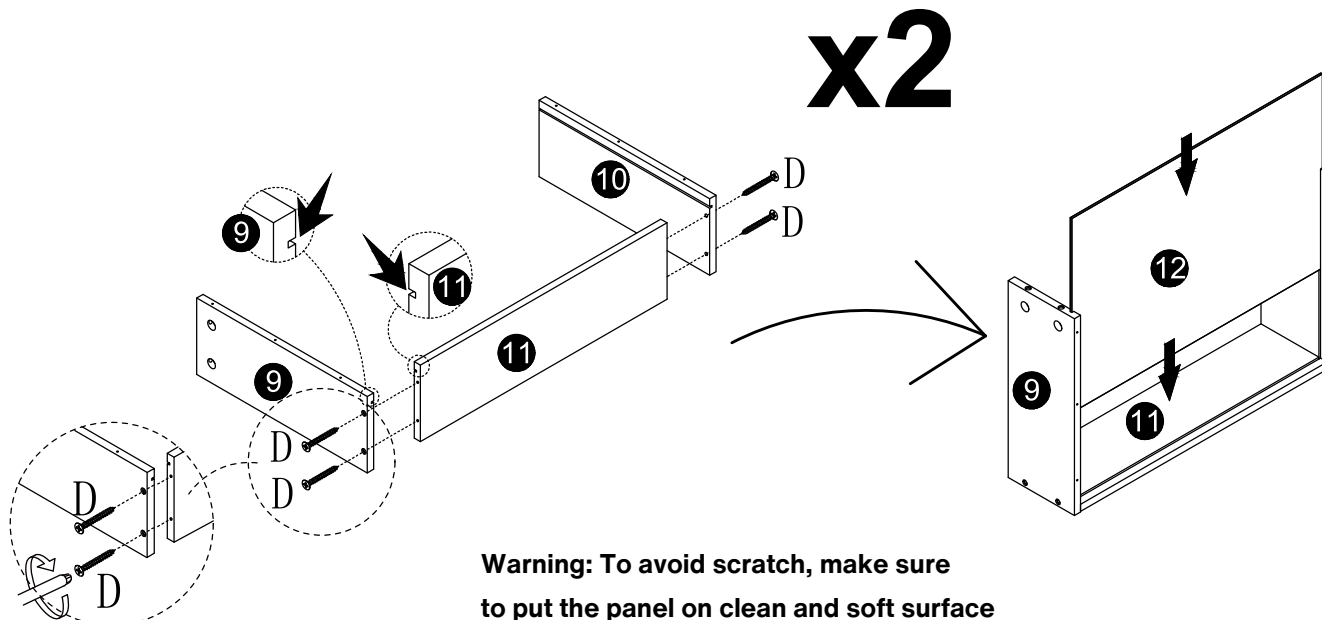
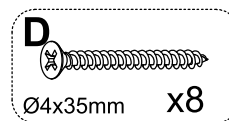
**P** X 4  
Ø70mm

# Assembly



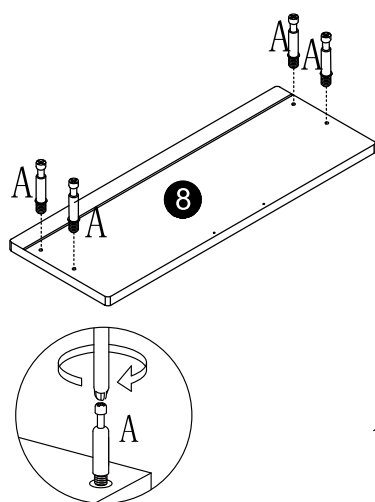
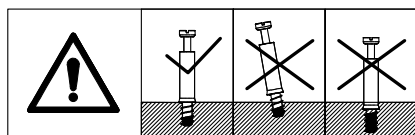
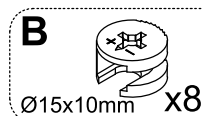
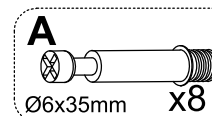
# Step 1

Connect panel 9/10/11 with 4pcs D. Insert panel 12 into panel 9/10/11.  
Assemble 2 drawers with same step.

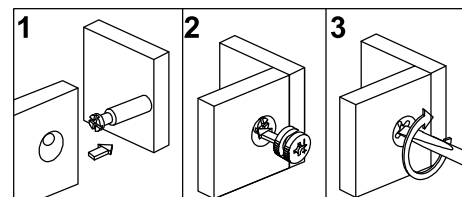
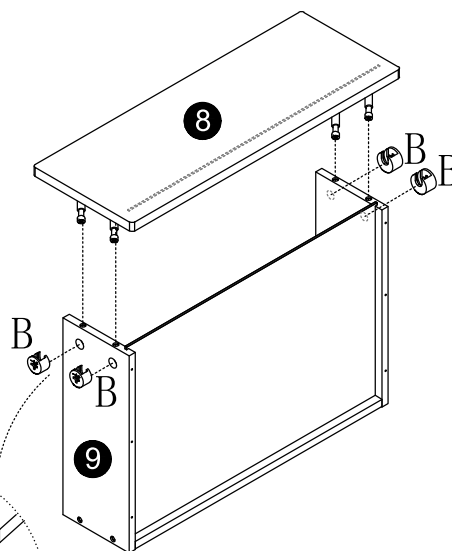


# Step 2

Connect panel 8 and panel 9/10/11/12 with 4pcs A & 4pcs B.  
Assemble 2 drawers with same step.

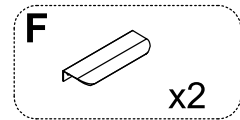
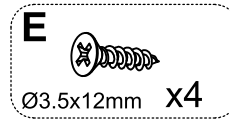


x2

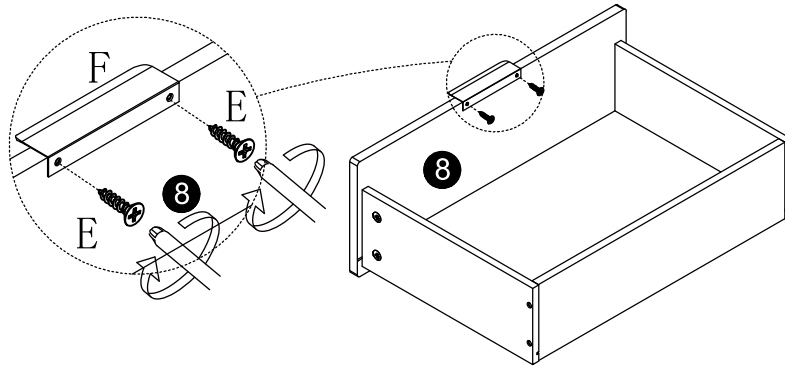


# Step 3

Fix F to panel 8 with 2pcs E. Assemble 2 drawers with same step.



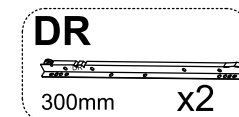
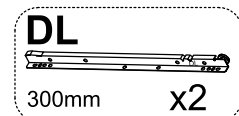
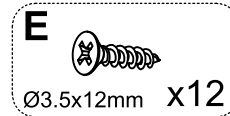
# x2



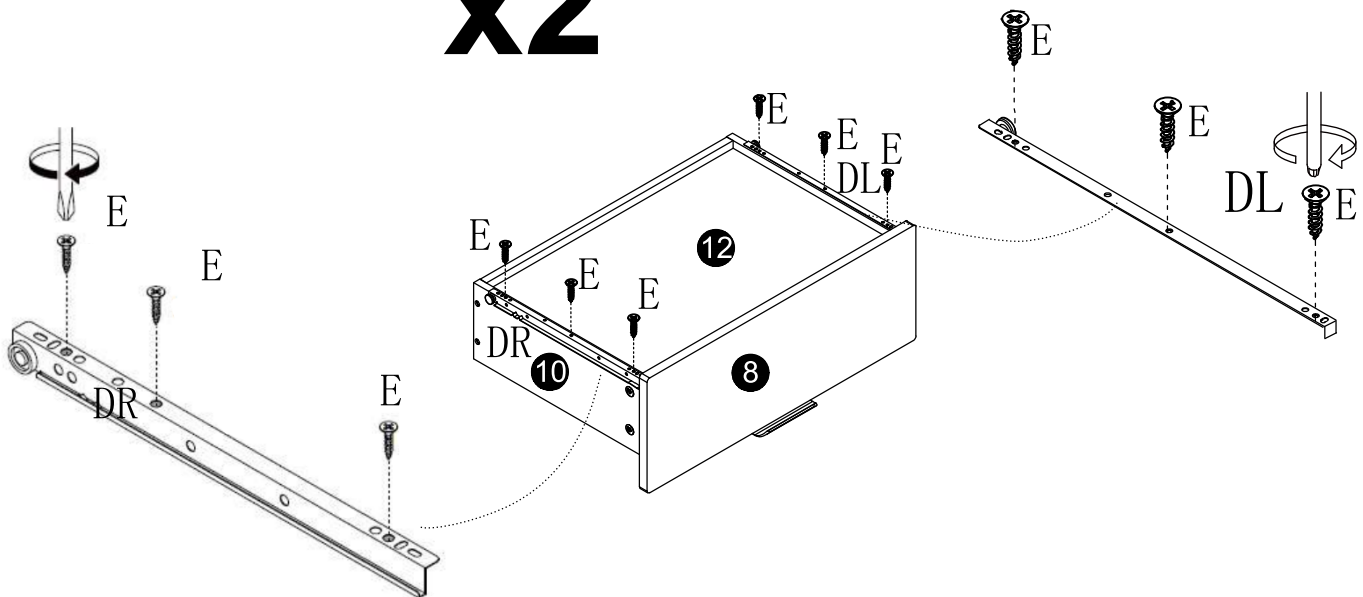
# Step 4

Fix 1pc DL and 1pc DR onto the bottom of drawer with 6pcs E.  
Assemble 2 drawers with same step.

Please find the steel seal of DL,DR on rails.

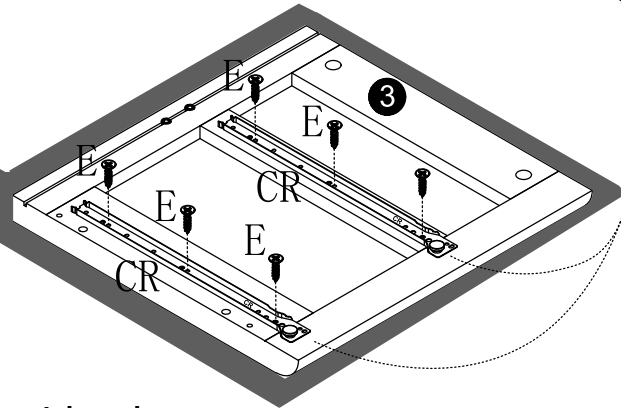
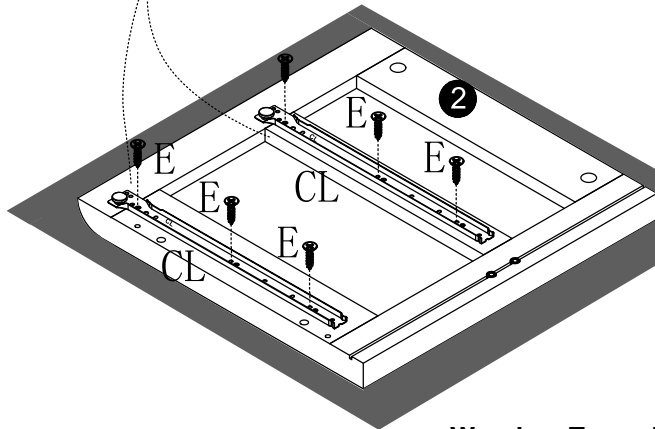
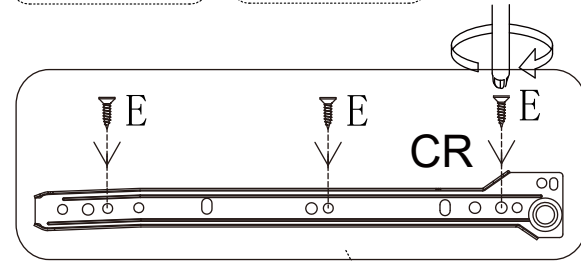
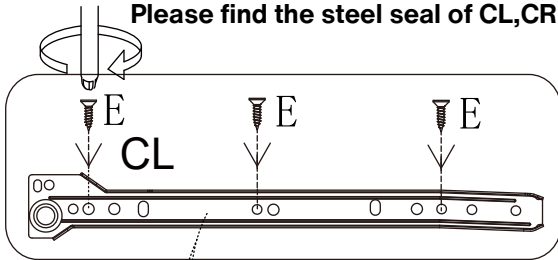
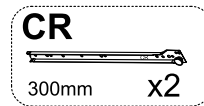
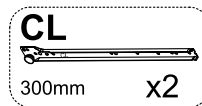
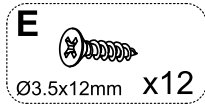


# x2



# Step 5

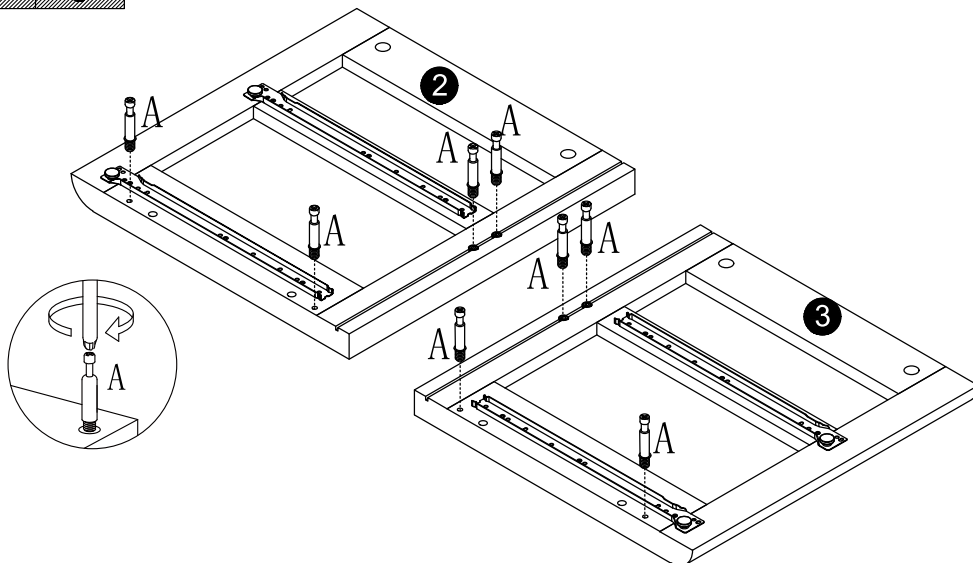
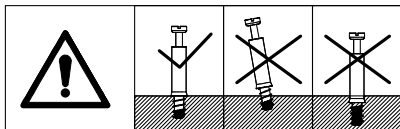
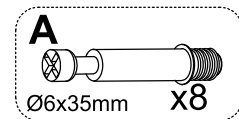
Fix 2pcs CL to panel 2 with 6pcs E, and  
2pcs CR to panel 3 with 6pcs E.  
Please find the steel seal of CL,CR on rails.



**Warning: To avoid scratch, make sure  
to put the panel on clean and soft surface**

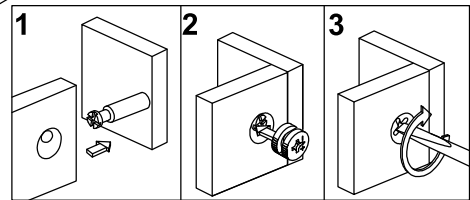
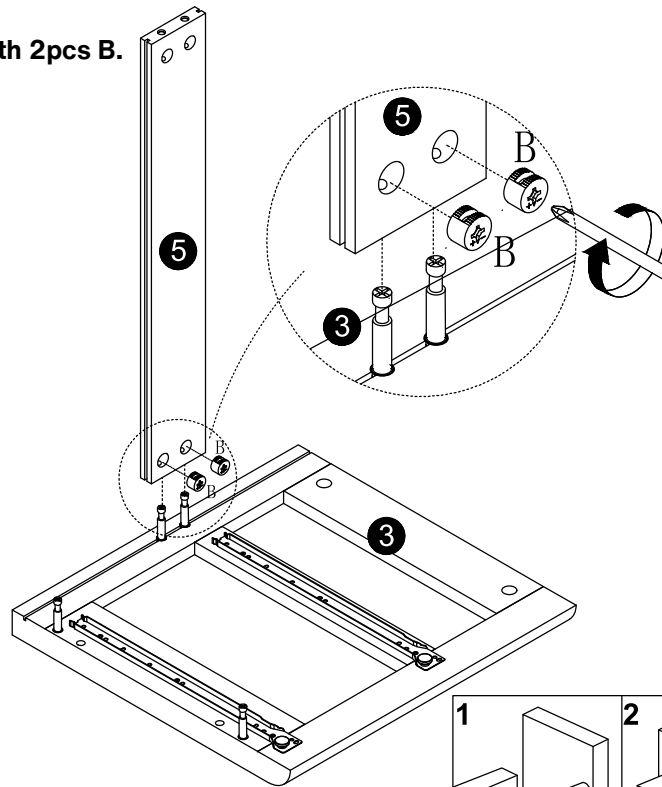
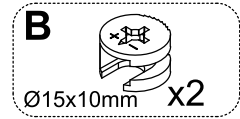
# Step 6

Fix 4pcs A each onto panel 2 and panel 3.



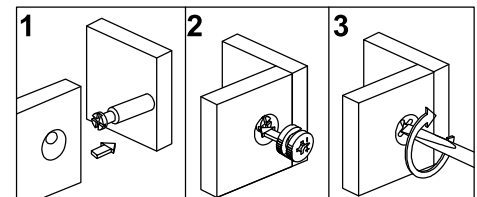
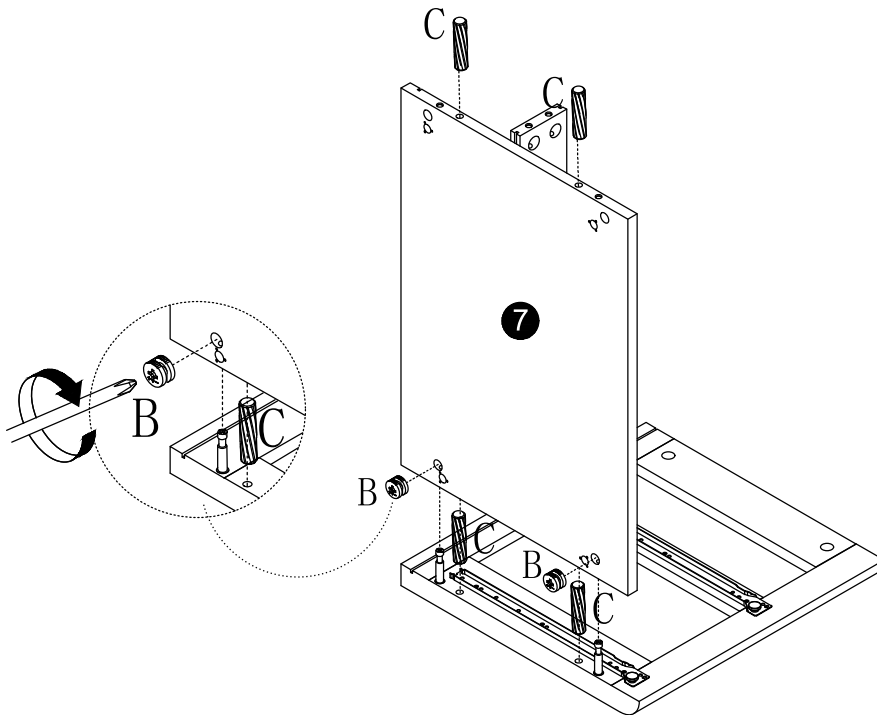
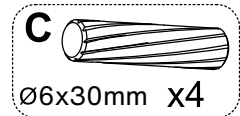
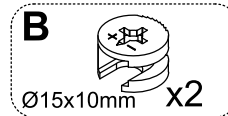
# Step 7

Connect panel 5 and panel 3 with 2pcs B.



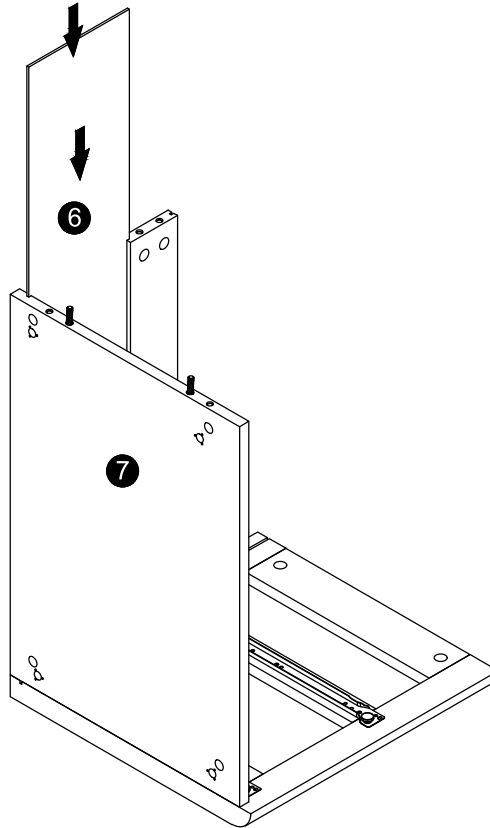
# Step 8

Connect panel 7 and panel 3 with 2pcs B and 2pcs C.  
Put 2pcs C on top of panel 7.



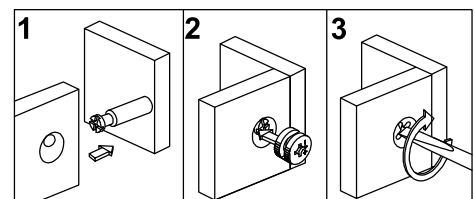
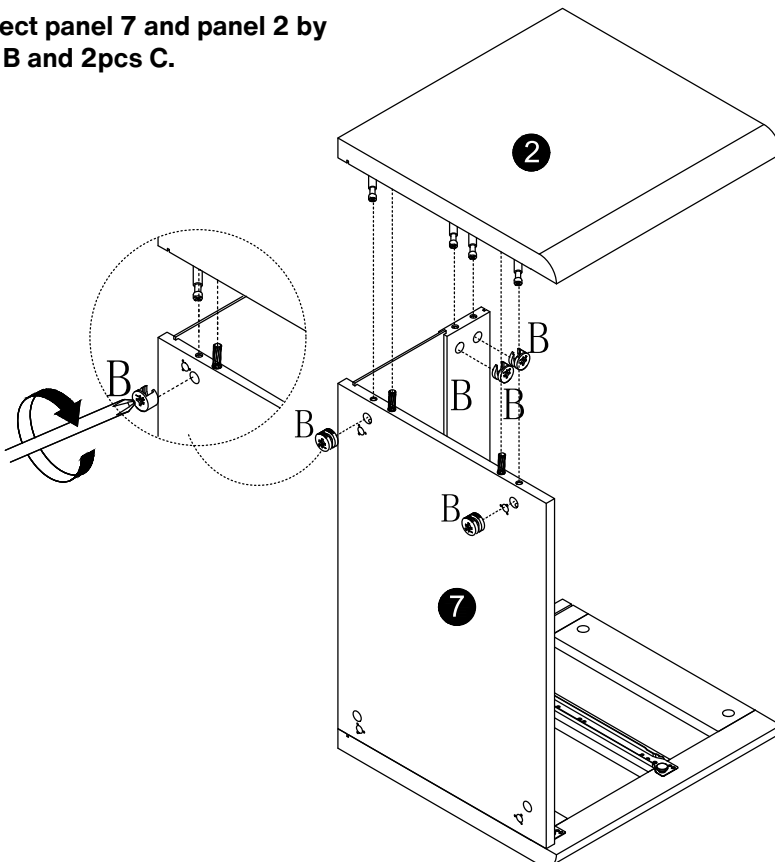
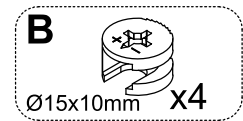
# Step 9

Insert panel 6 into lower part of panel 5.



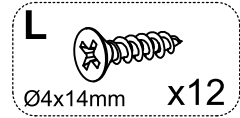
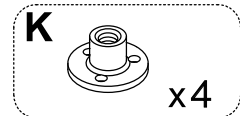
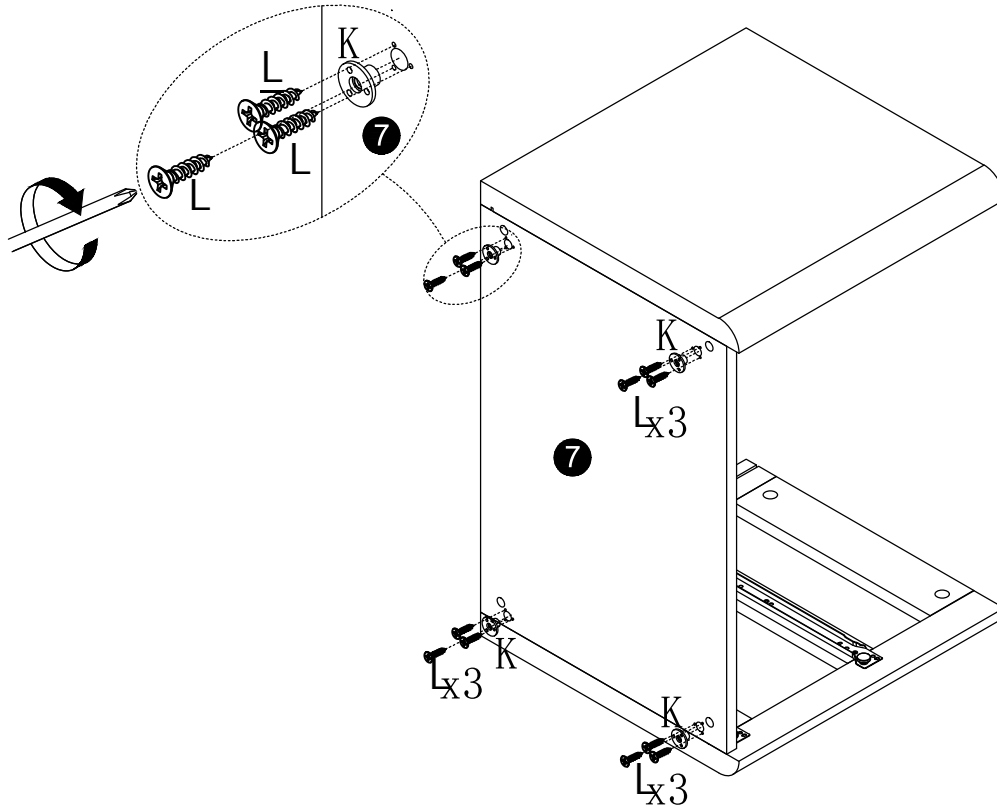
# Step 10

Connect panel 7 and panel 2 by 4pcs B and 2pcs C.



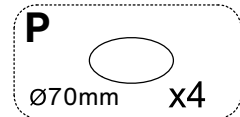
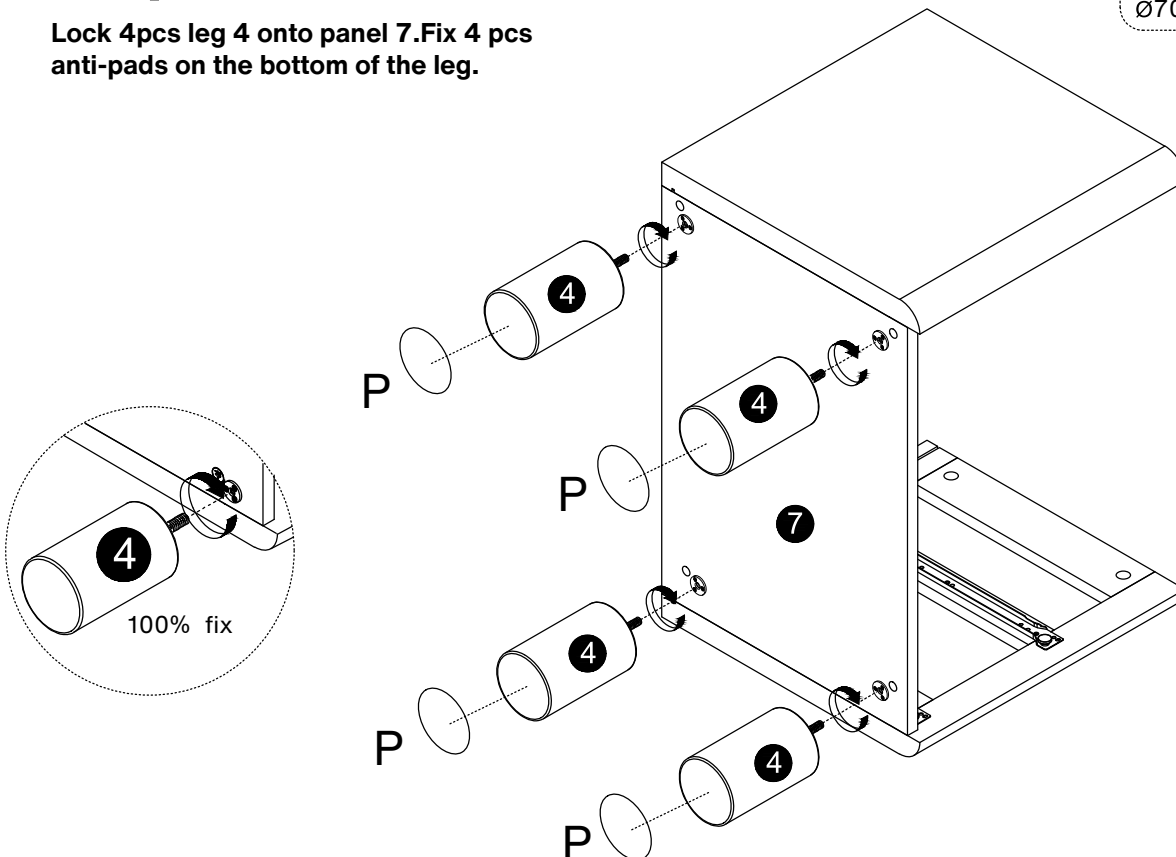
# Step 11

Use 3pcs L each to fix 4pcs K on panel 7.



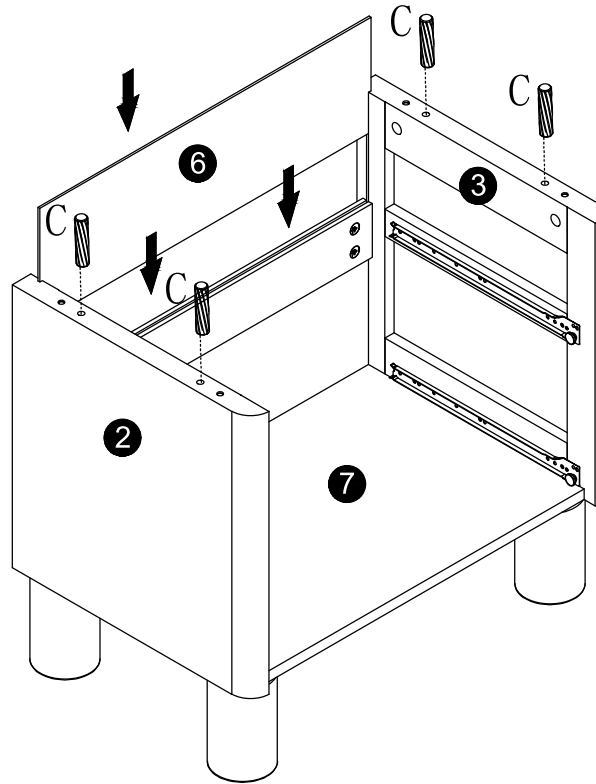
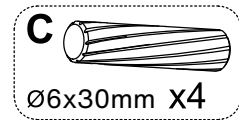
# Step 12

Lock 4pcs leg 4 onto panel 7. Fix 4 pcs anti-pads on the bottom of the leg.



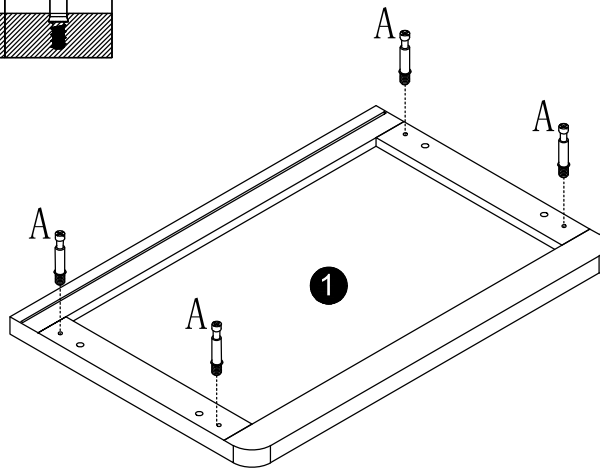
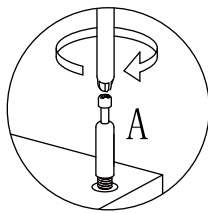
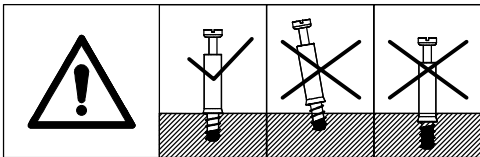
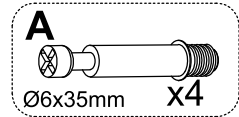
# Step 13

Insert panel 6 into upper part of panel 5. Put 2pcs C each on panel 2/3



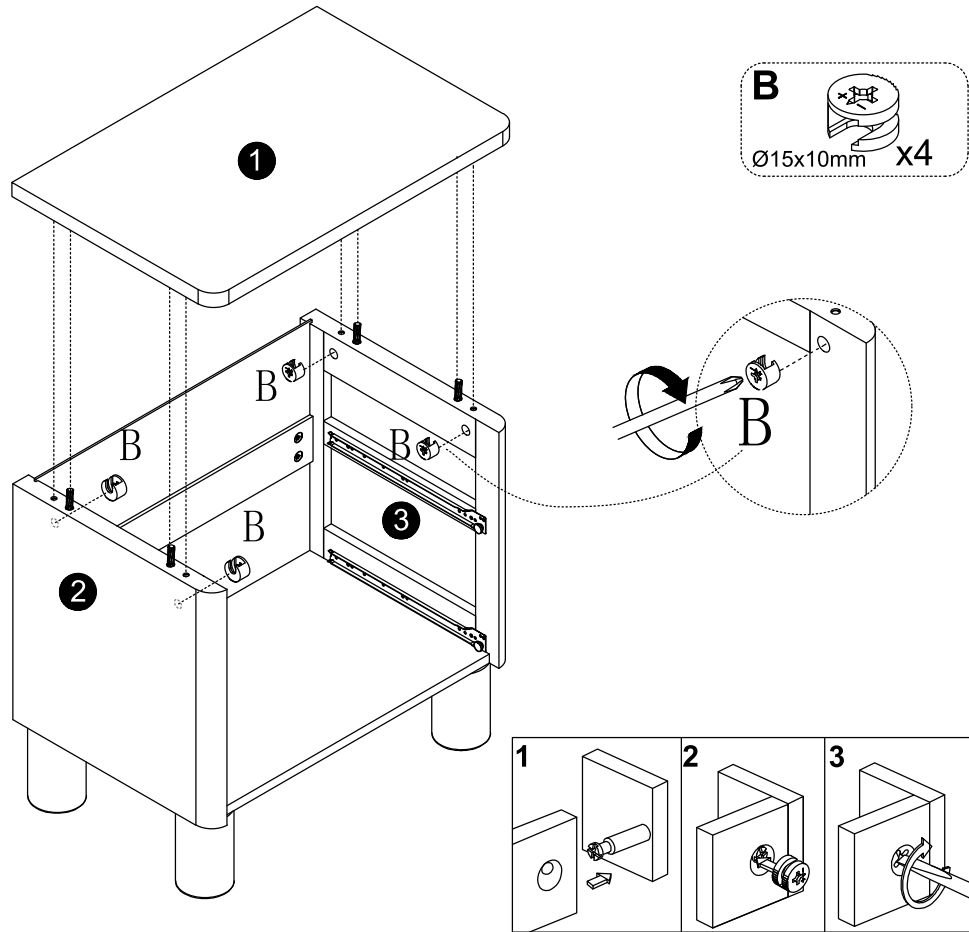
# Step 14


Fix 4pcs A onto panel 1.



# Step 15

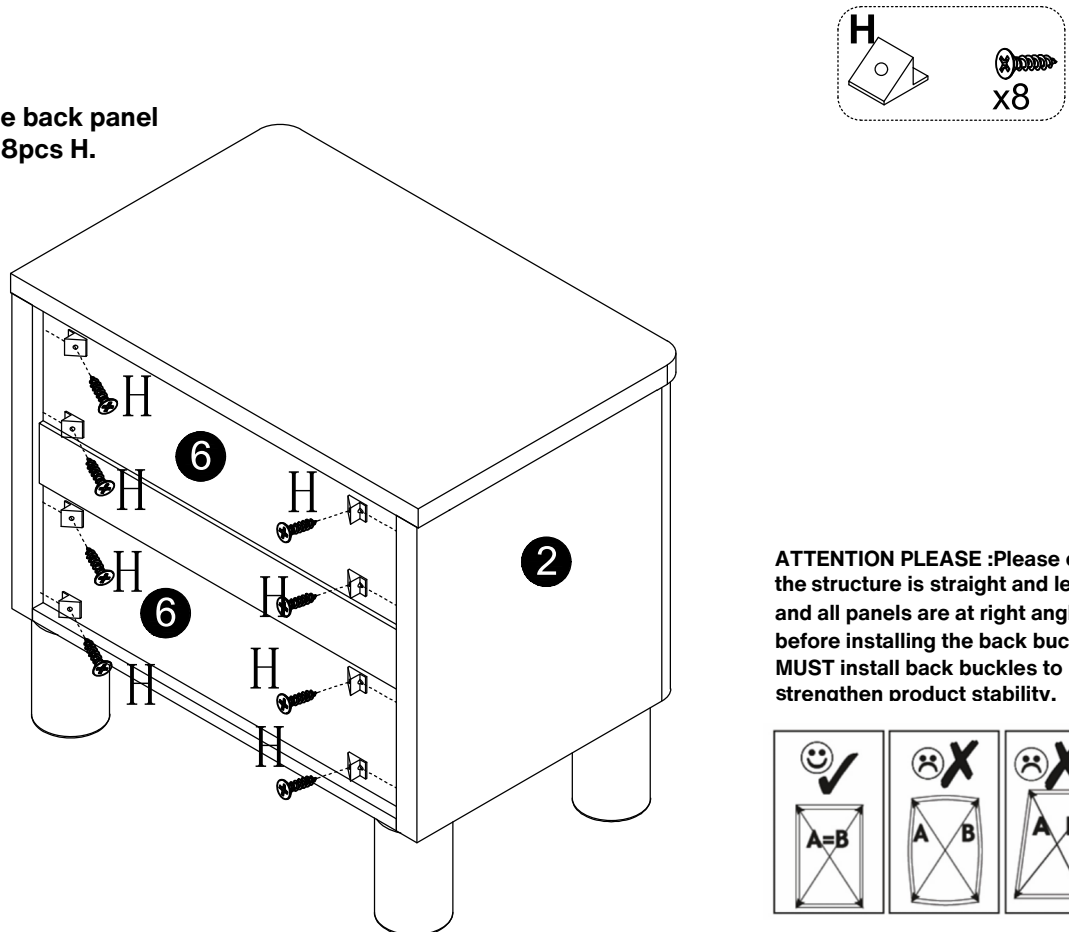
Connect panel 1/3 and back panel with 4pcs B.

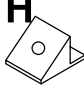


**B**   
 Ø15x10mm X4

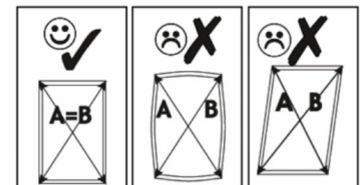
# Step 16

Insert 8pcs H on the back panel of the cabinet with 8pcs H.

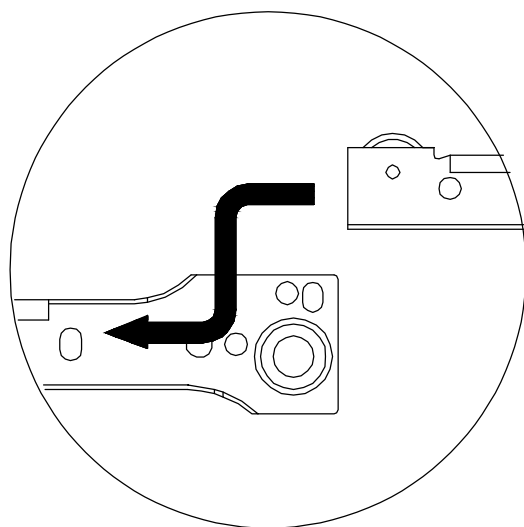
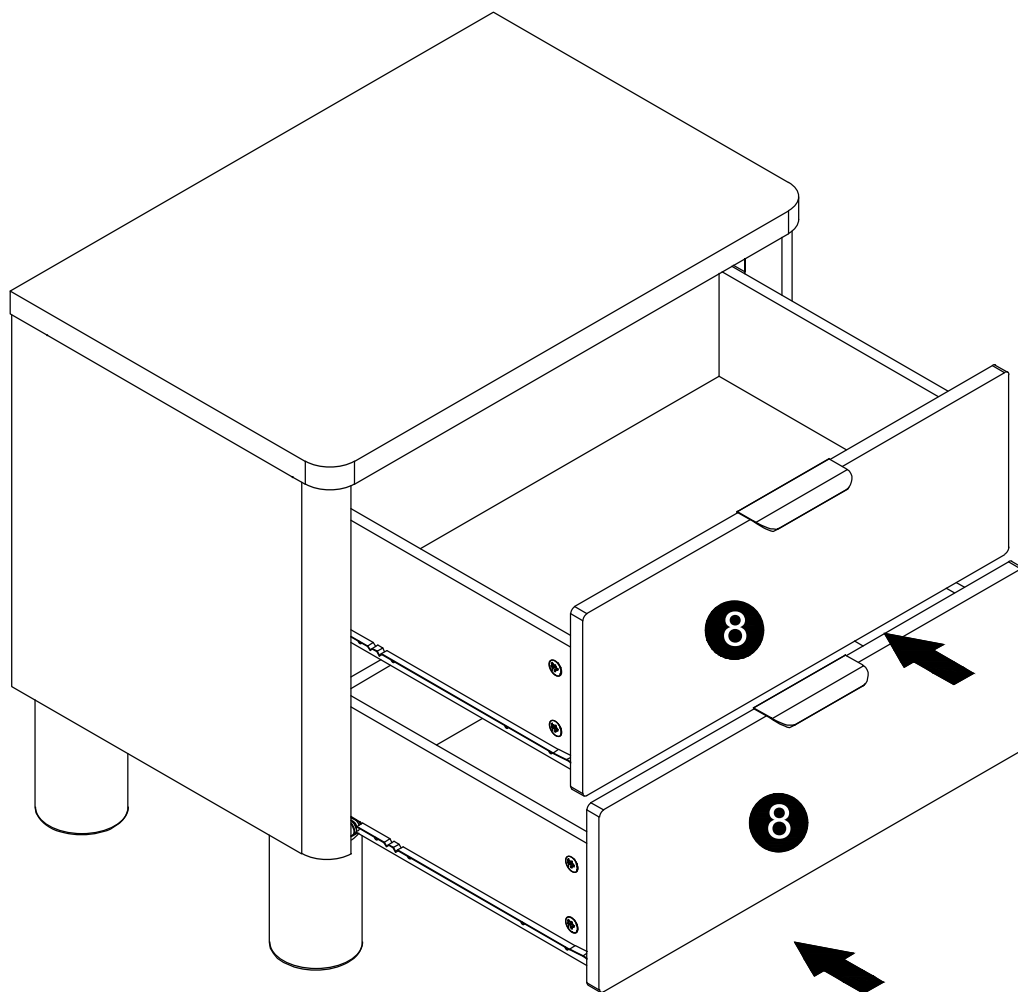


**H**   
 X8

**ATTENTION PLEASE :** Please ensure the structure is straight and level and all panels are at right angles before installing the back buckles, **MUST** install back buckles to strengthen product stability.

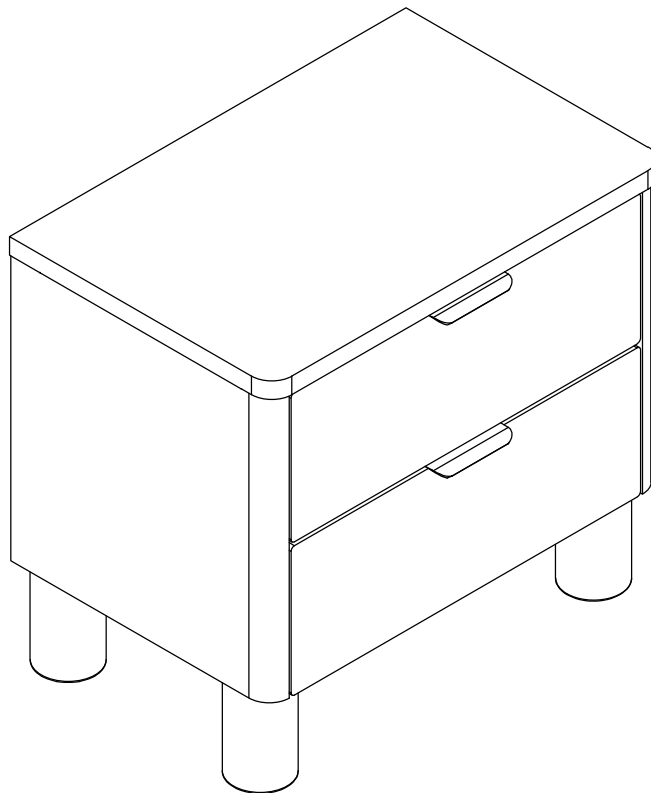


# Step 17



# VOILA!

Now enjoy.



## Warning

DO NOT climb, sit, or stand on the Table as this may damage the product and cause serious bodily injury.

# Something not right?

We are always here to help.

## **We make mistakes like every human does.**

Though we always strive to provide the best possible products at competitive prices and the best service in the industry, it's not possible to completely eliminate mistakes. If you experience any dissatisfaction, feel free to contact us immediately. Our in-house customer care team will respond ASAP.



[customerservice@luxenhome.com](mailto:customerservice@luxenhome.com)  
Get response within 24 hrs



909.548.6688  
Mon-Fri 9am-5pm PST/PDT



[www.luxenhome.com/help](http://www.luxenhome.com/help)  
Submit a ticket on our website

## **Things to do to expedite the process**

- Have your order# ready
- Take photos/videos to help us better identify the issues
- DO NOT throw away the packaging

# Happy with our product?

## Leave us a review

It really help us as a small business

- Find the product you purchased on our website (tip: search by SKU) and leave us a review.
- Alternatively, you can always return to the marketplace where you purchased it and leave a review there.

## Share with others

Our customers look for REAL stuff



- Follow us on IG @luxen.home
- Share your #liveluxen moments



**Please save this manual  
for future reference.**