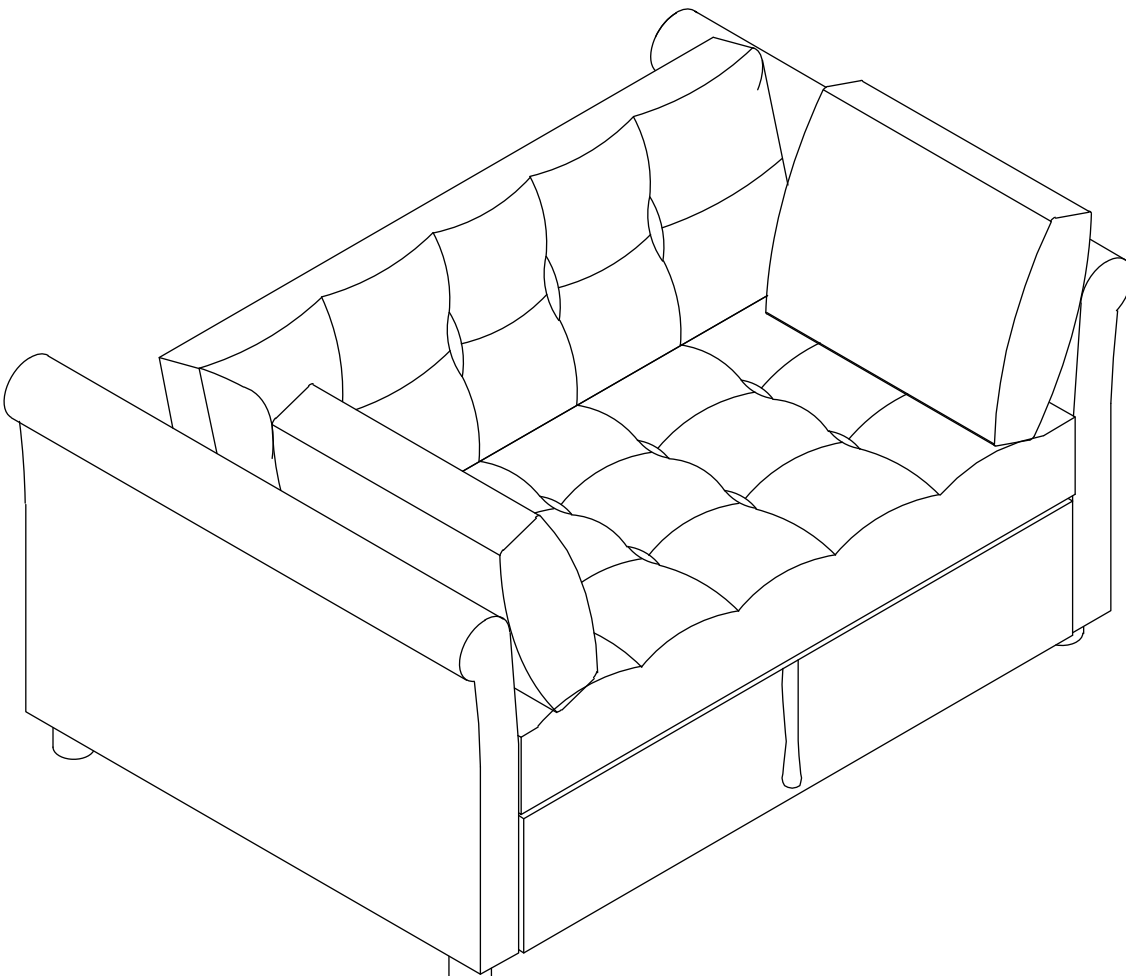


Assembly Instructions

READ THIS MANUAL

Do not use this product until you read and understand the instructions in this manual.

KEEP THIS MANUAL FOR FUTURE REFERENCE.



This manual is intended for installation and use. The pattern should be subject to the product you receive.

WARNING

ADULT ASSEMBLY REQUIRED

CHOKING HAZARD

- This product includes small parts, sharp points and sharp edges in its unassembled state.
- Keep unassembled parts away from children under 3 years of age, and animals.

SAFETY WARNINGS

- Follow the information on the warnings appearing on this manual.
- Do not allow children under 3 years of age to use the product.
- Do not use substitute parts. Contact the manufacturer for replacement parts.

USE, MAINTENANCE & ASSEMBLY

- Periodically check and ensure that the components are in their proper position, free from damage, and that all connectors are tight.
- Use on level surfaces only. Assemble on a soft level surface to avoid damage to unit or floor.
- Do not use this item if any components are missing or damaged.
- Only clean using damp cloth and mild detergent, do not use bleach or abrasive cleaners.

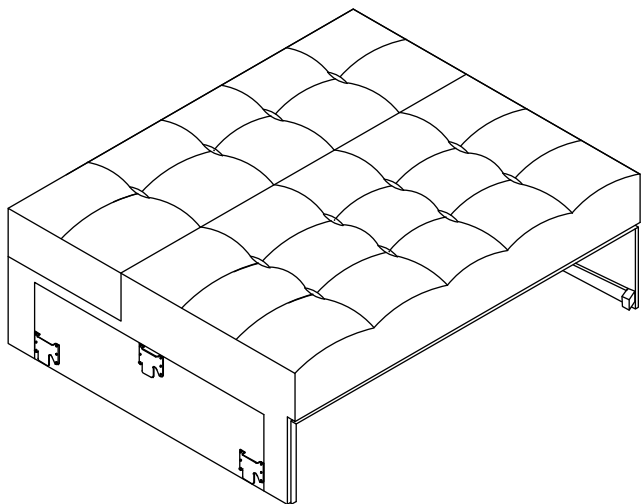
- Check you have all components and tools listed on this manual.
- Do not stand or put weight on this product during assembly, this could cause damage.
- Remove all hardware from the plastic bags and separate them into groups.
- Assemble the item as close to its final position (in the same room) as possible.
- Certain assembly steps may be easier with 2 people.
- Dispose of all packaging carefully and responsibly.
- We do not recommend power screwdrivers. Only use hand screwdrivers to prevent damage to unit.
- Keep these instructions for future reference.

SAFETY INFORMATION

1. Do not leave children alone to climb or play in or around this product all the time.
2. Use this product for its intended purpose only. Do not use shelves as step ladder.
3. To avoid damage, assemble the product on a sturdy, level and protective surface.
4. Two or more persons work together to install this product.
5. Make sure all screws are tightly fastened before the product is used.
6. Check screws periodically and tighten them if necessary.

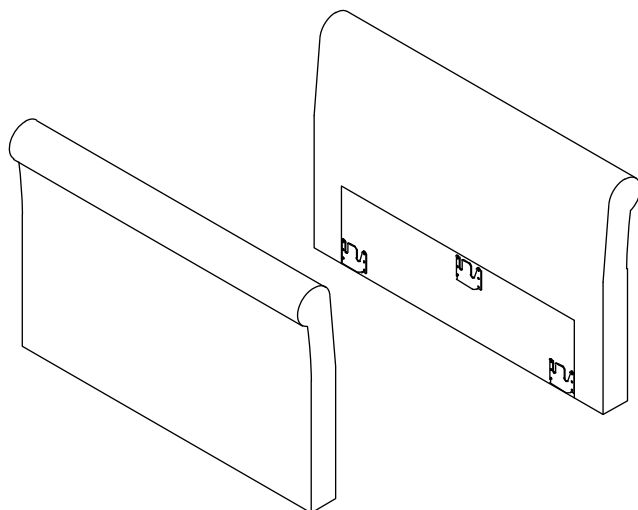
01 PARTS AND ACCESSORIES

◆ Please check and ensure that all the components are included in the package. If something is missing, please contact us. We will respond within 24 hours and make our best effort to resolve it.



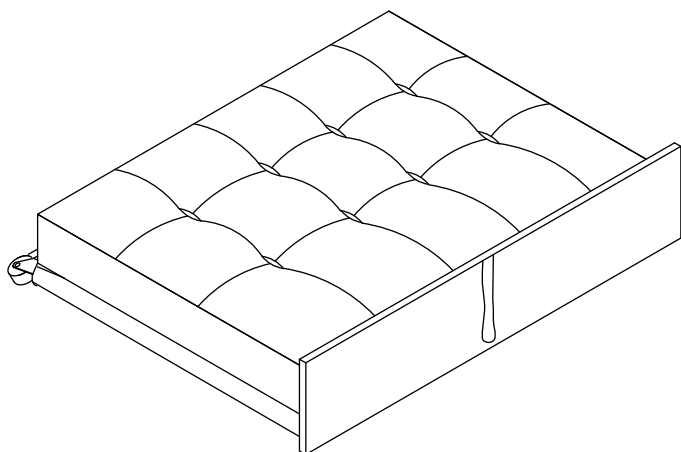
Ax1

Sofa Bed Body



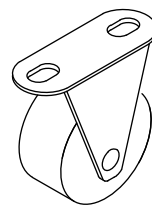
Bx2

Armrest



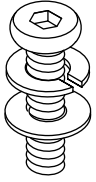
Hx1

Footrest



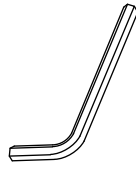
Cx4

Caster



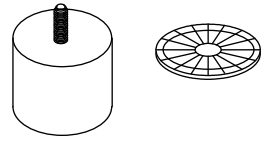
Dx8

Screw



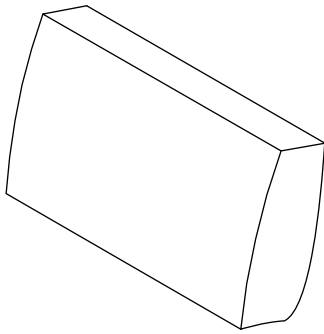
Ex1

Wrench



Fx4

Pad



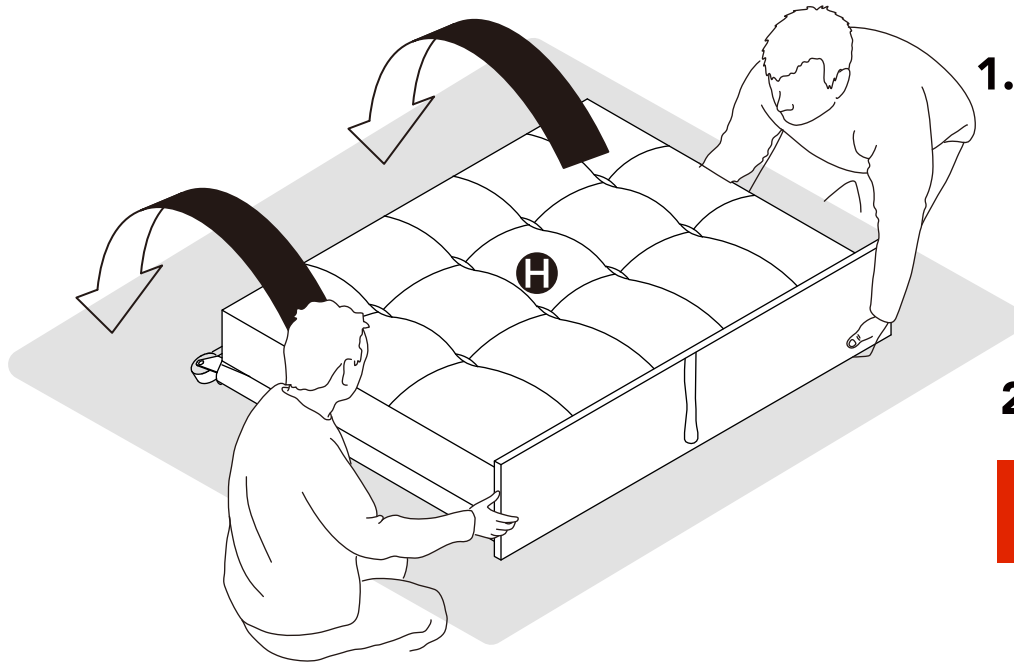
Gx2

Vacuum Pillow

*** Note:** The pillows **G** you received has been vacuum-packed. Open the plastic bags and take them out, let them breathe to the normal state.

02 ASSEMBLY INSTRUCTIONS

CAUTION: The safe assembly of this item requires a minimum of two adults. Attempting to lift or handle large and heavy parts without adequate assistance may pose a risk to your back safety.

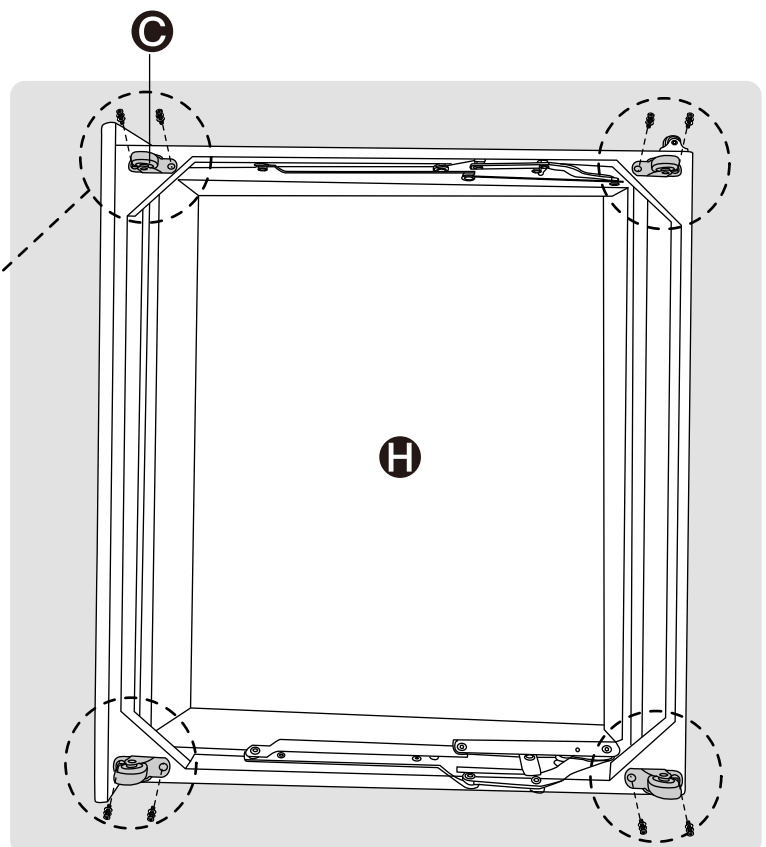
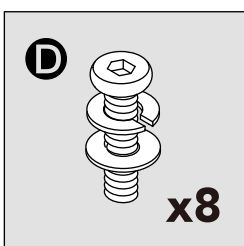
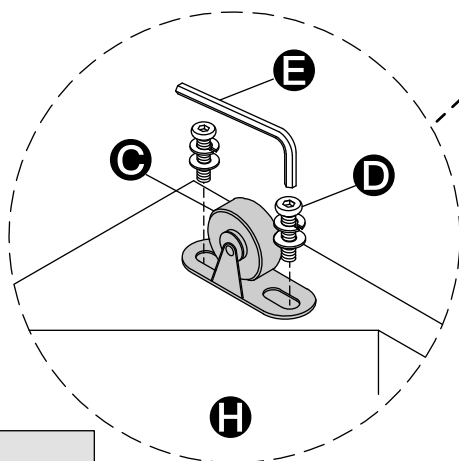


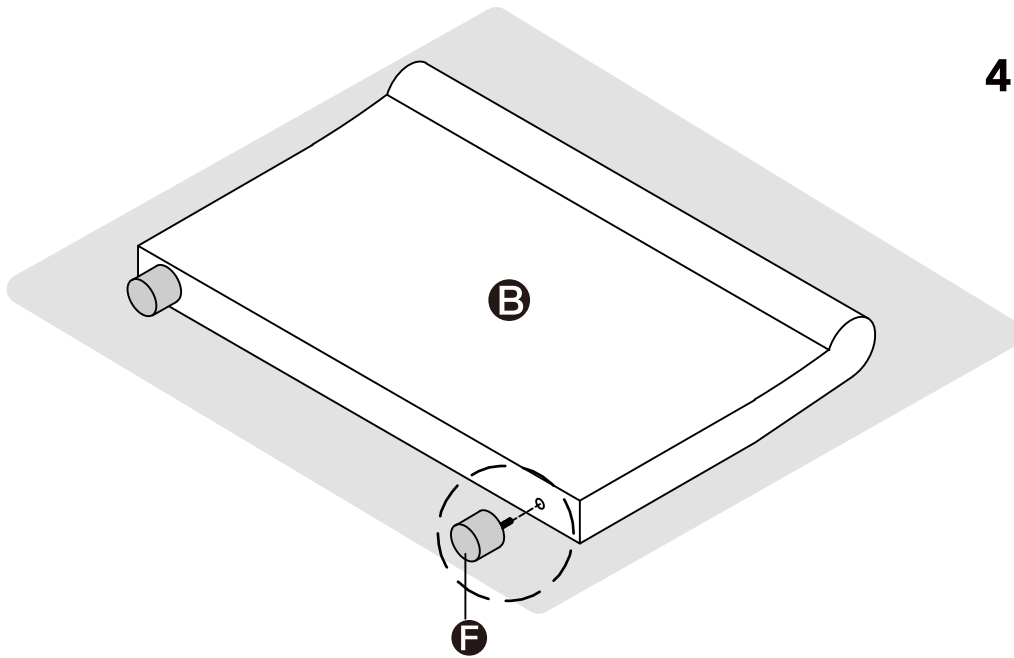
1. Carefully unpack the parts and place them on a clean, flat surface.

2. Invert the footrest.

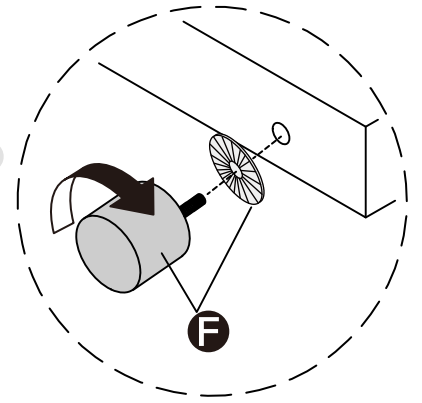
TIPS: Be cautious of being clipped.

3. Install the casters on the bottom of the footrest.



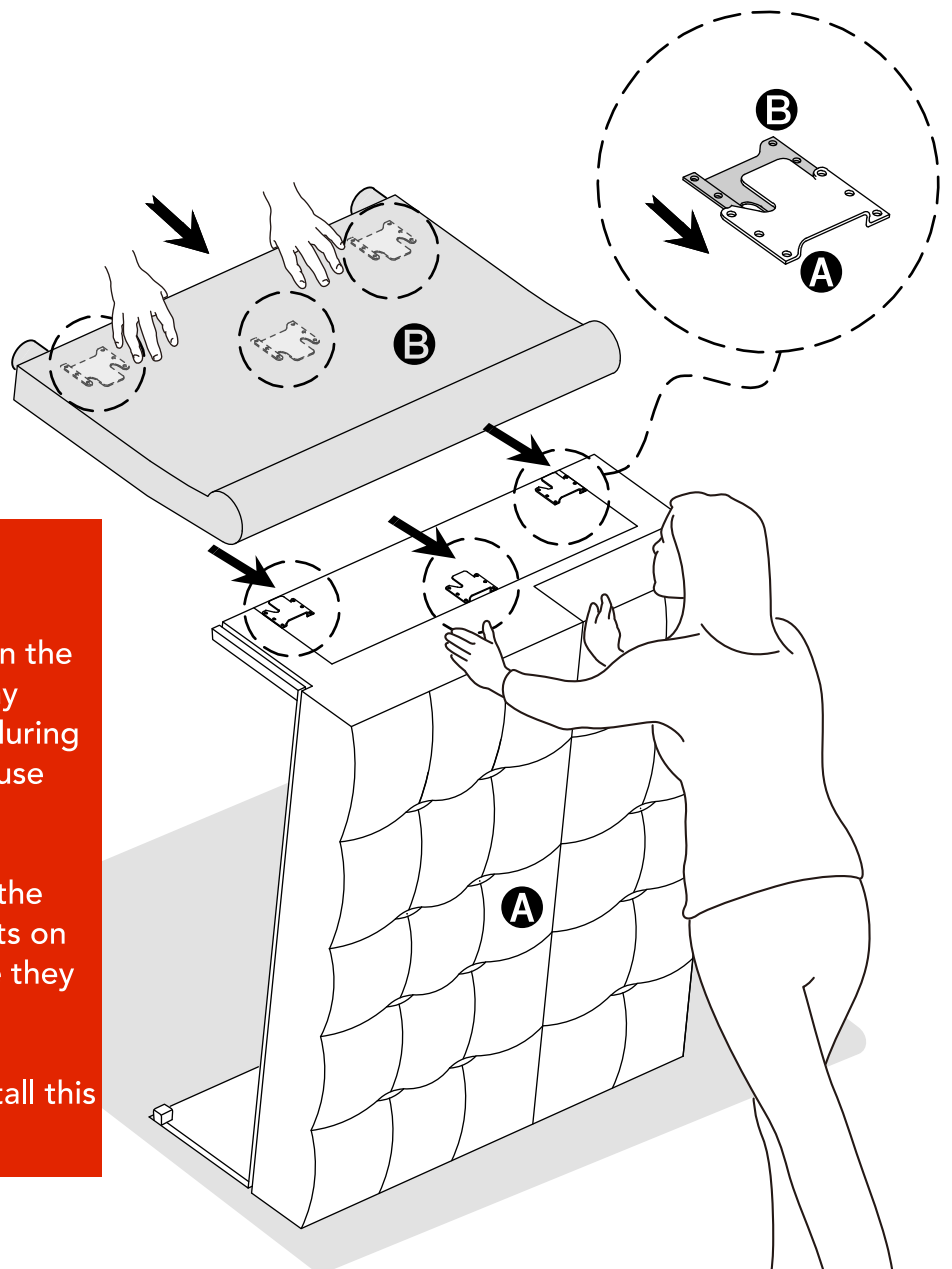


4. Install the pads on the armrests.



From **Armrest To Frame**

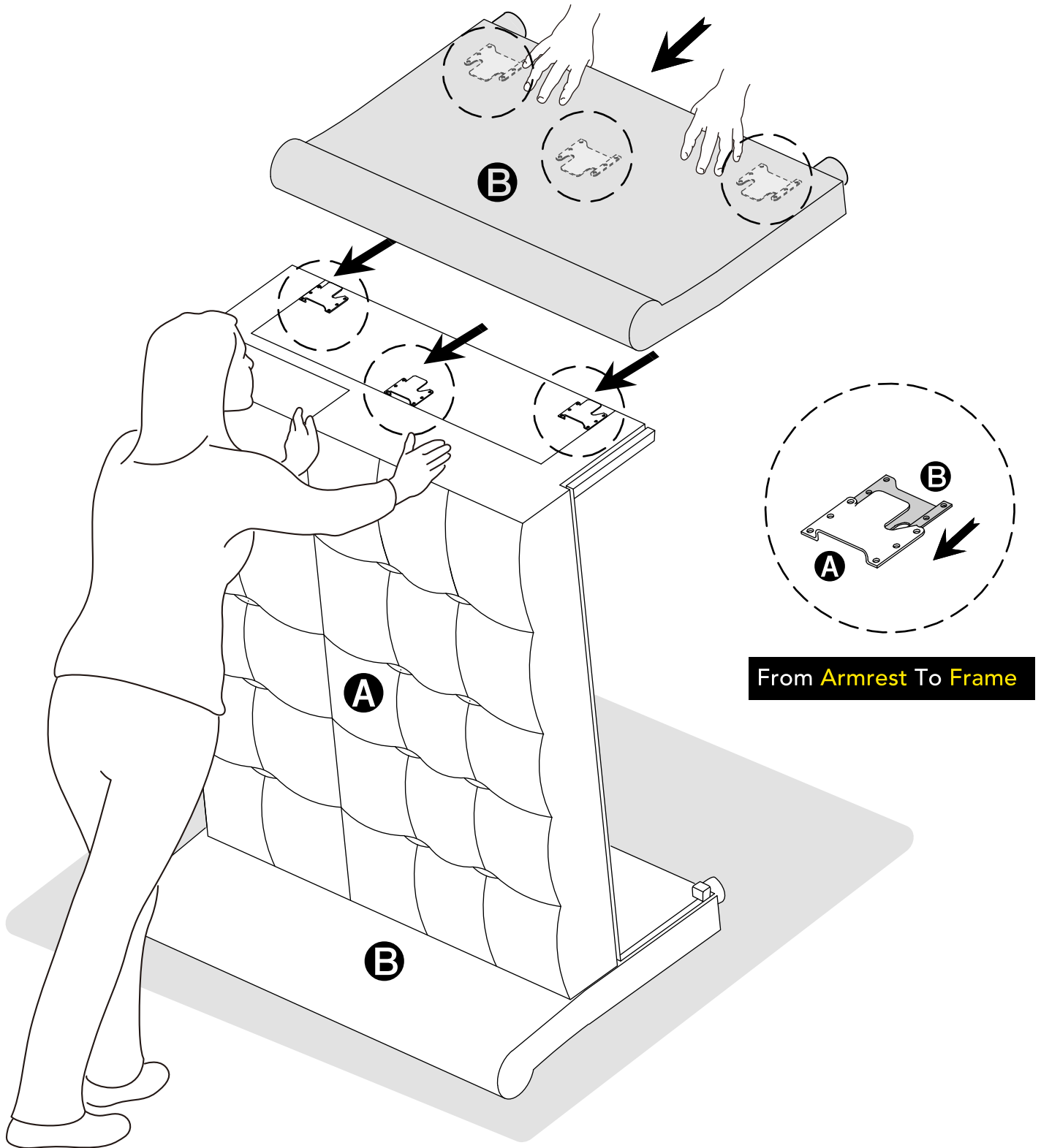
5. Install the armrest on the sofa bed frame.



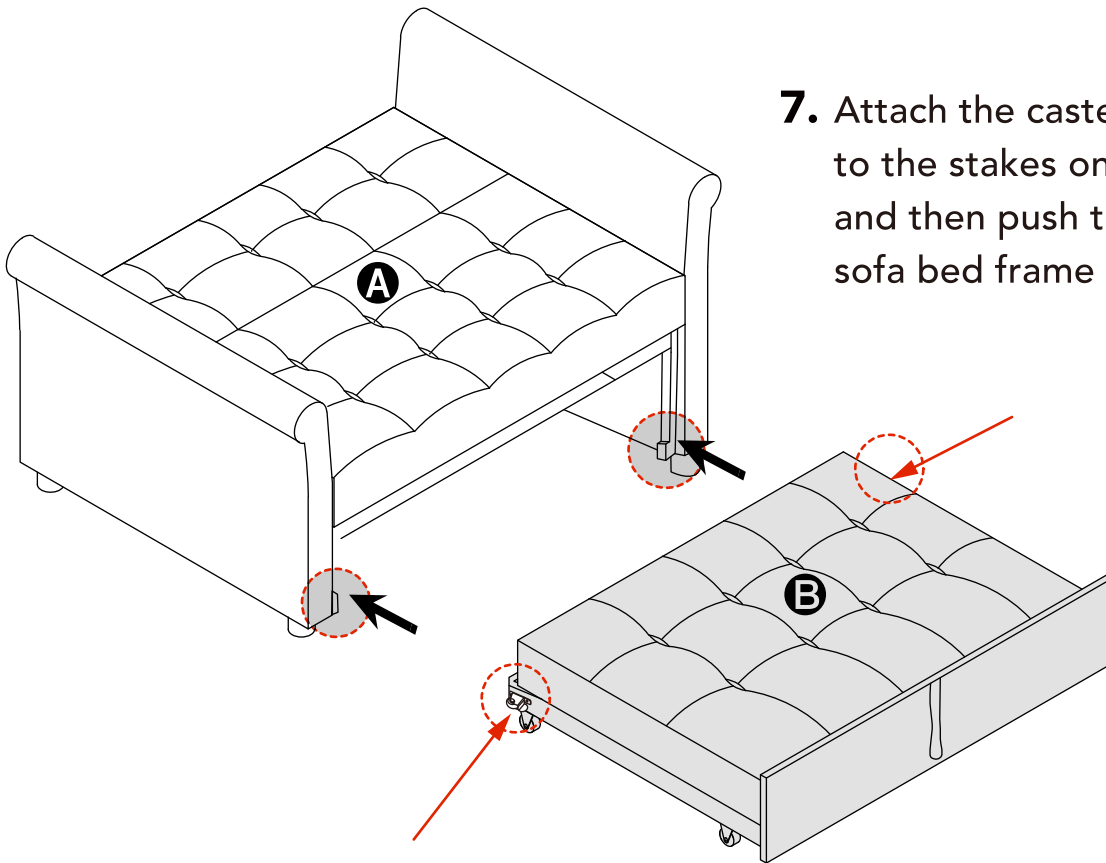
! IMPORANT

- The shape of the iron inserts on the armrests and sofa bed frame may change slightly under pressure during transportation. But don't worry, use tools to restore them to normal.
- Snap the three iron inserts on the armrest into the three iron inserts on the sofa bed frame, making sure they are snapped together.
- Two adults are required to install this armrest.

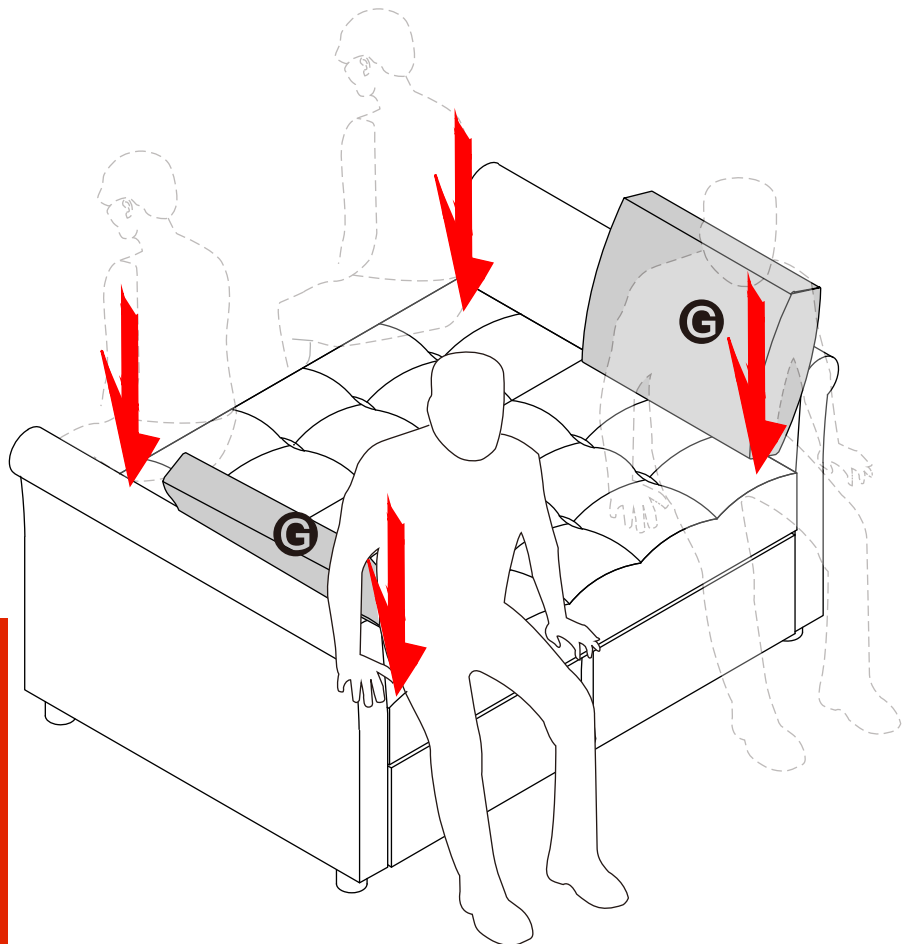
6. Flip the sofa bed frame and install the other armrest in the same way.



7. Attach the casters on the footrest to the stakes on the sofa bed frame and then push the footrest to the sofa bed frame bottom.



8. Attach the pillows.
Complete.

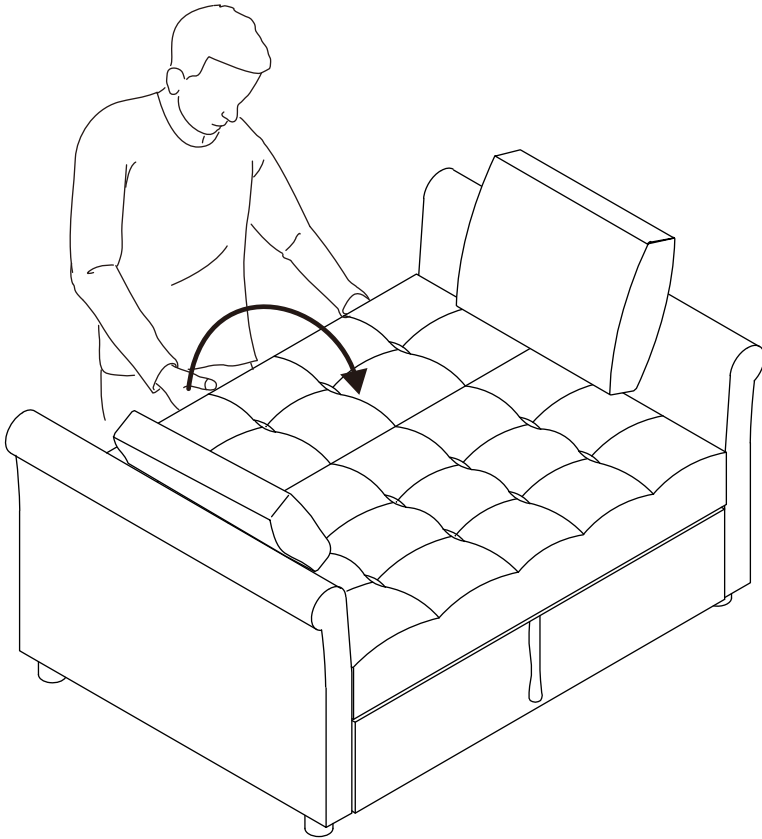


! IMPORANT

- If the sofa bed is uneven on the ground, please sit in the four corners of the sofa bed frame, adjust the connecting units of the sofa bed frame to level.

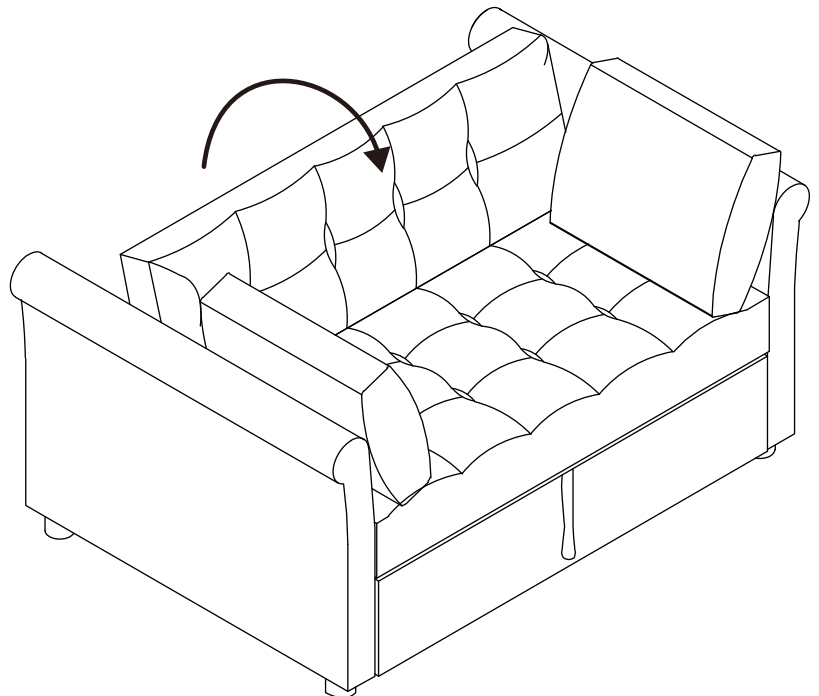
BACKREST OPERATION

A. Bed to sofa

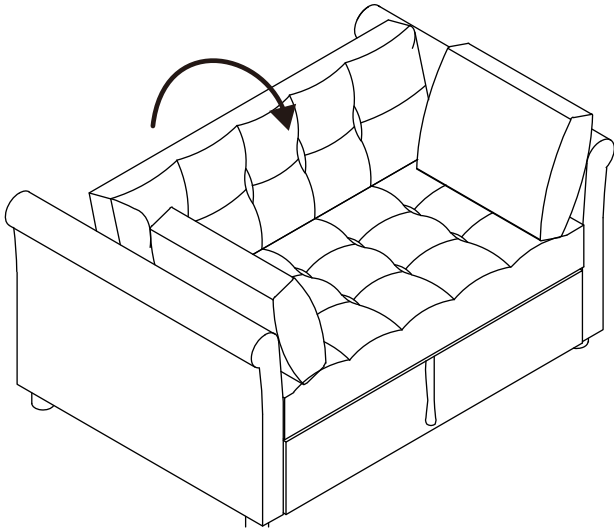


1. Lift the backrest up.

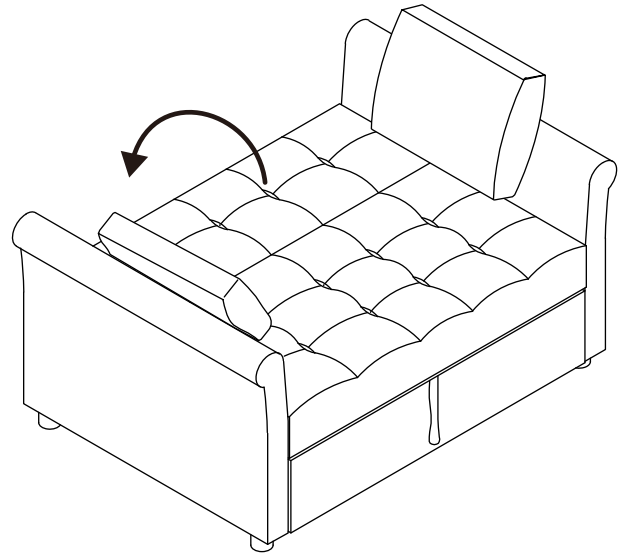
2. when hearing 2 clicking sounds on both sides, the backrest is completely fixed in position.



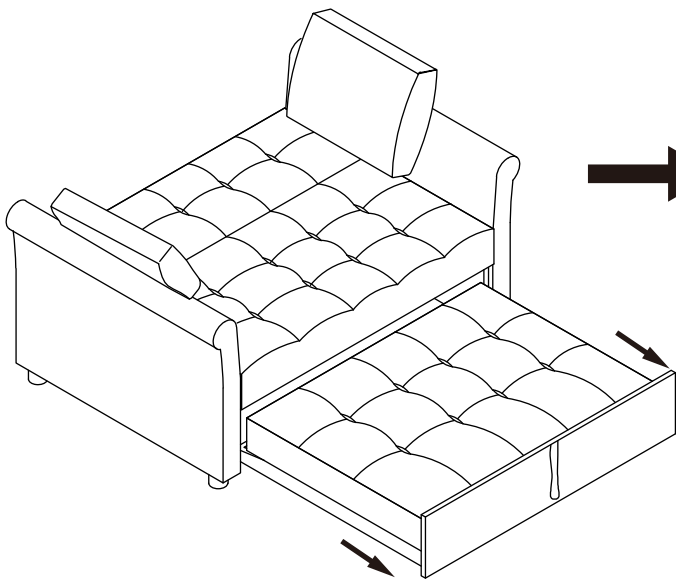
B. Sofa to bed



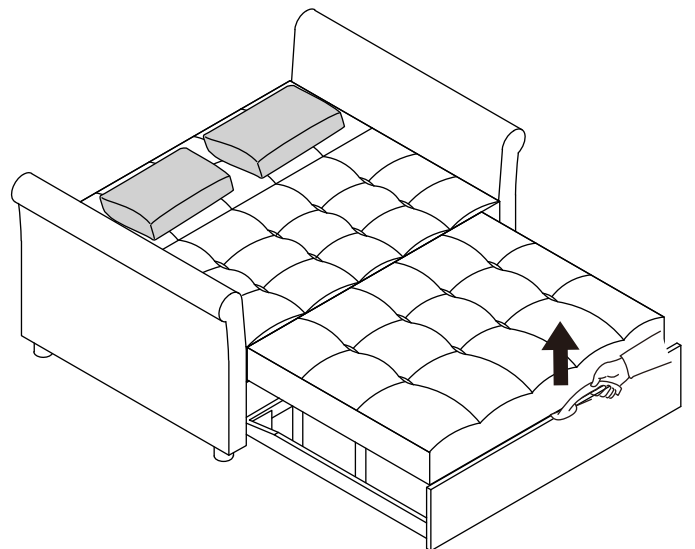
1. Push down the backrest.



2. Lay down the backrest to 180 degrees.



3. Pull out the footrest.



4. Raise and secure the footrest.
Now take a break.

Dear Customer,

We specialize in researching, developing, selling household and office products. Our goal is to provide you with high-quality products that inspire happiness, ensuring trust and satisfaction.

For safe use, please read this manual before installation, and keep it for after use. Please feel free to email us if you have any concerns about our products. We'll reply within 24 hours.

The following are the things you need to pay attention to so that we can provide you with services when you encounter problems during the installation and use of the product:

- When the product is damaged due to courier problems, please contact our customer service in time for verification.
- We will rectify the issue as soon as possible;
- We give a 365-day quality assurance;

We offer product explanations, installation instructions, product maintenance and maintenance methods.

If you feel satisfied with our product and service,

- Please set our store as your favorites;
- Please recommend our products to your friends;
- Please leave us your purchase experience in our store or product page.

Feedback or reviews from you will greatly help us offer better services to players around the world.

Best regards!

Avoid using sharp objects such as a knife to cut open packaging as you may accidentally damage the product.