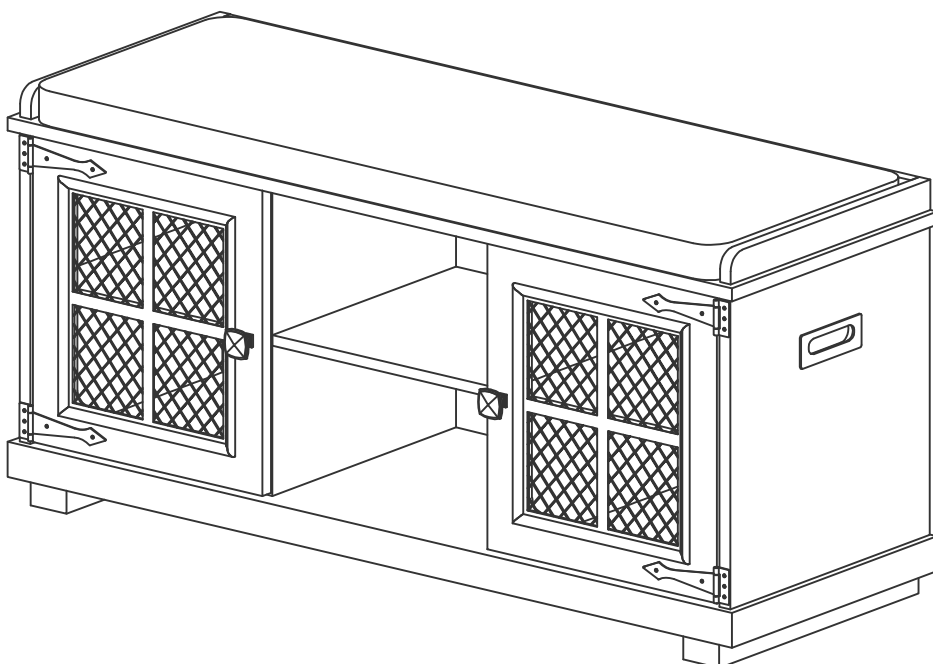
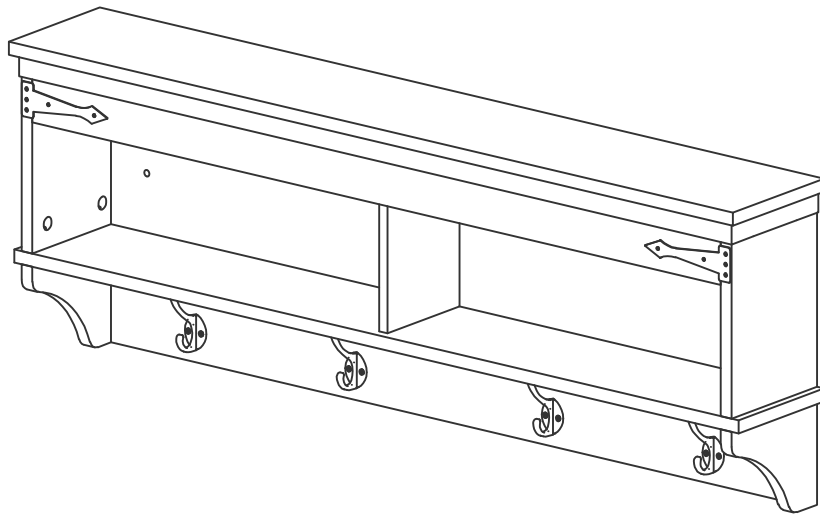
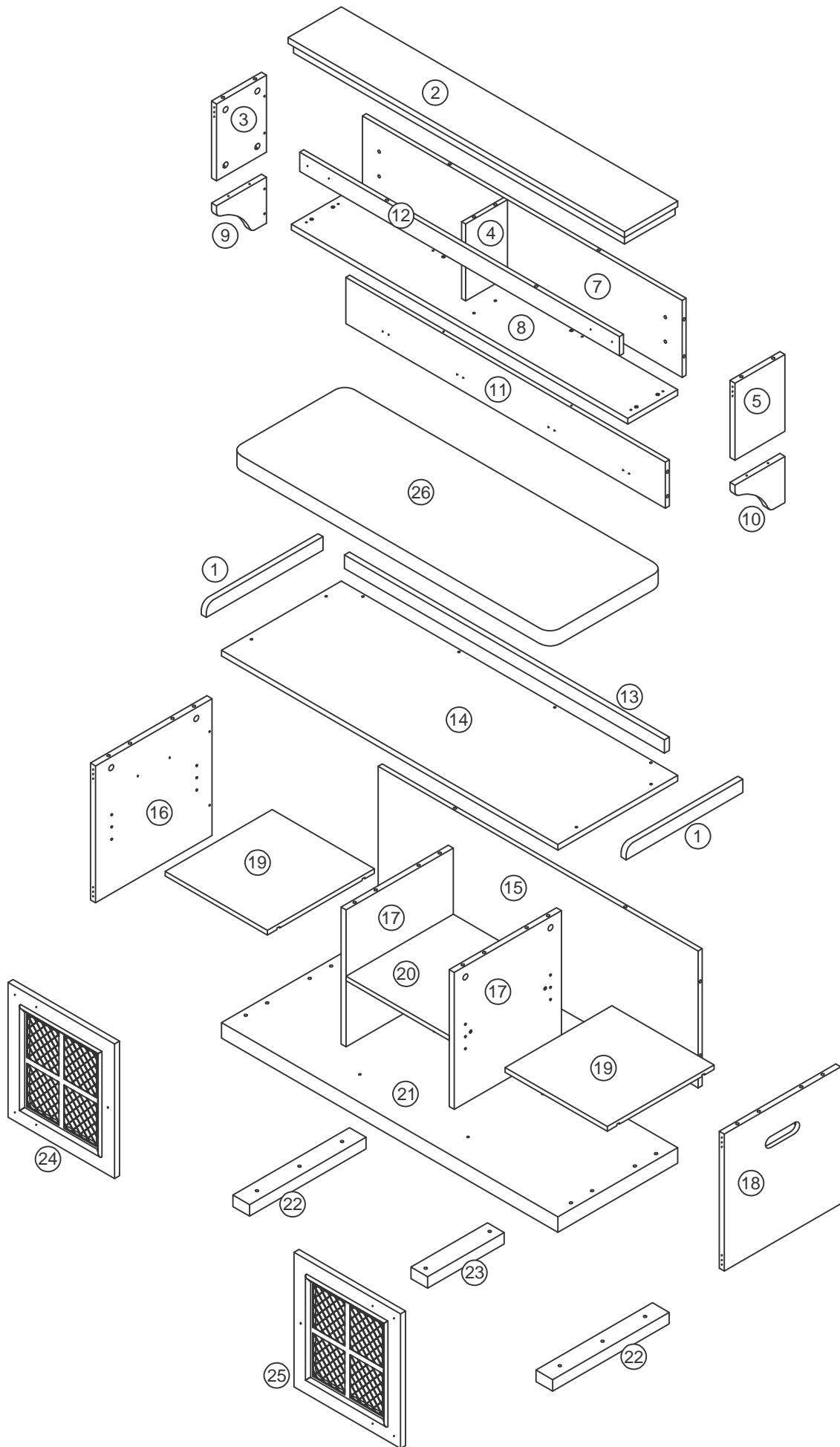


















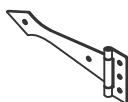


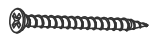
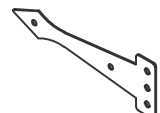
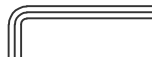



# INSTRUCTIONMANUAL

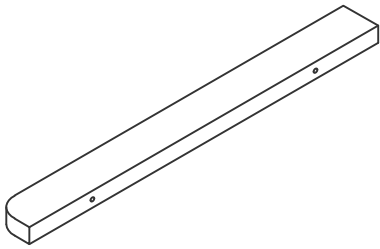




A	 M5X35	40
B	 Ø15X10	40
C	 Ø8X40	12
D	 M5X40	24
E	 M7X50	8
F	 M7X70	4
G	 M3.5X10	10
H	 M3.5X14	28
J	 Ø21X1	18
K	 M3.5X14	8
L	 M4X20	2
M	 111	2
N	 	8
P	 	4

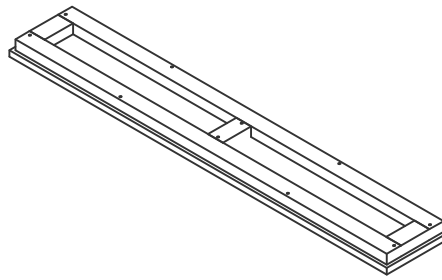
Q	 M4X8	4
R	 6503-96	2
S	 	2
T	 	2
U	 	4
V	 M6X1.2XØ16	4
W	 Ø8X40	4
X	 M5X55	4
Y	 	2
	 4#	1
	 	1

①



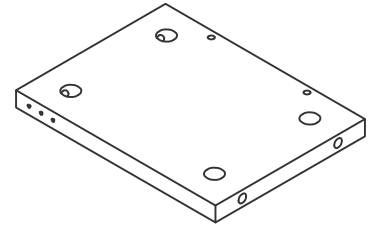
2 PCS

②



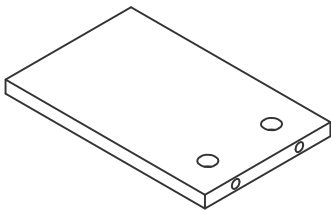
1 PC

③



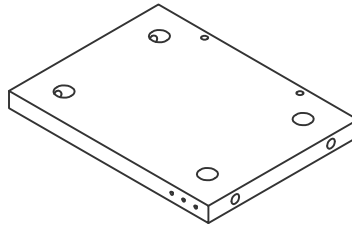
1 PC

④



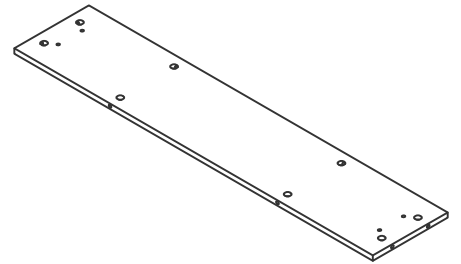
1 PC

⑤



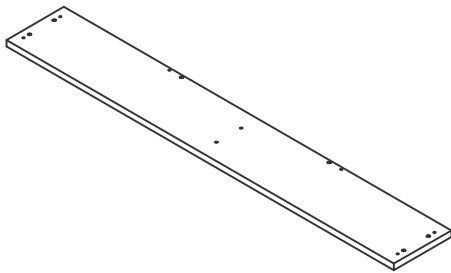
1 PC

⑦



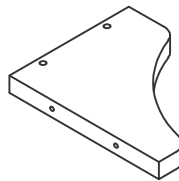
1 PC

⑧



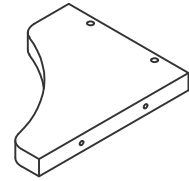
1 PC

⑨



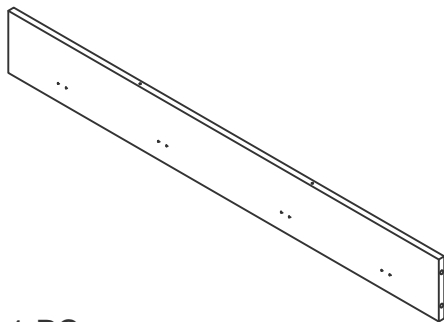
1 PC

⑩



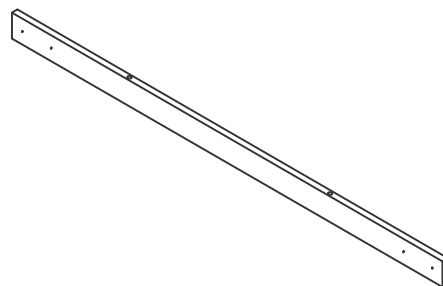
1 PC

⑪



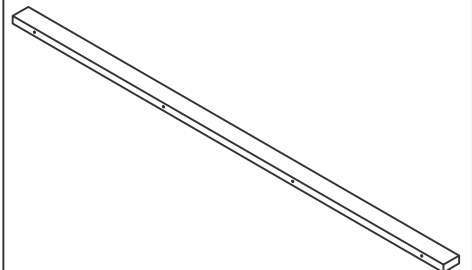
1 PC

⑫



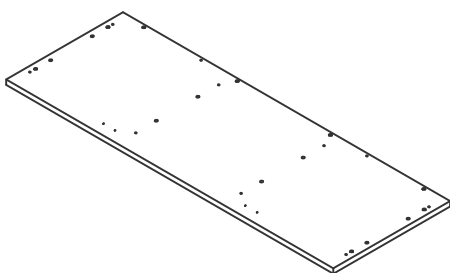
1 PC

⑬



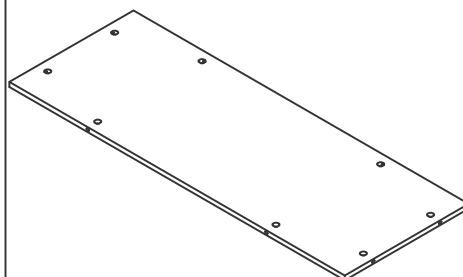
1 PC

⑭



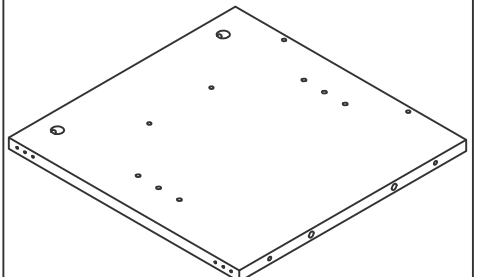
1 PC

⑮



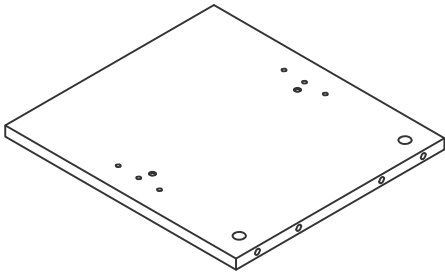
1 PC

⑯



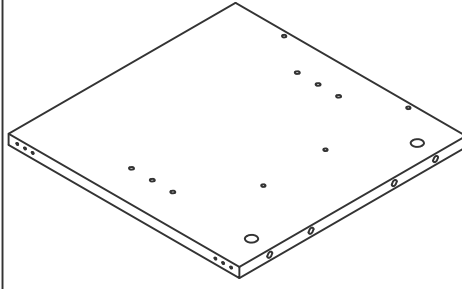
1 PC

17



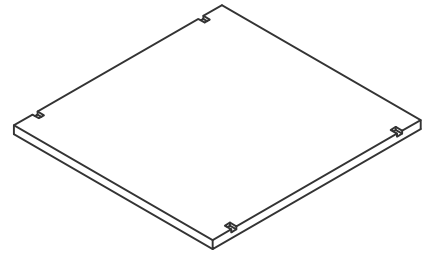
2 PCS

18



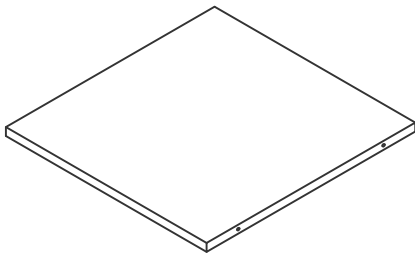
1 PC

19



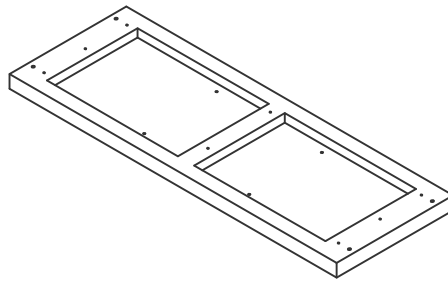
2 PCS

20



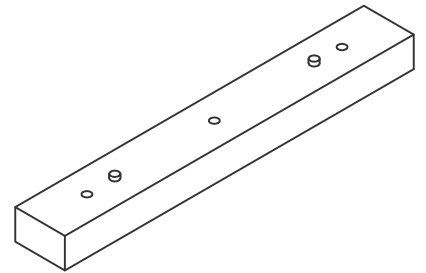
1 PC

21



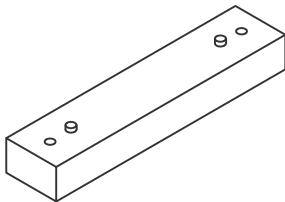
1 PC

22



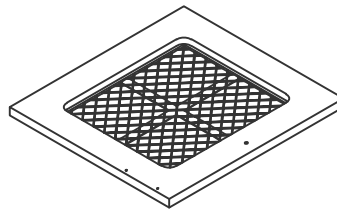
2 PCS

23



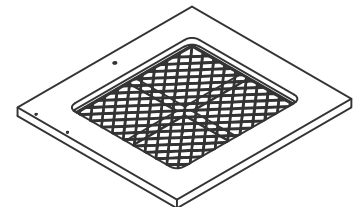
1 PC

24



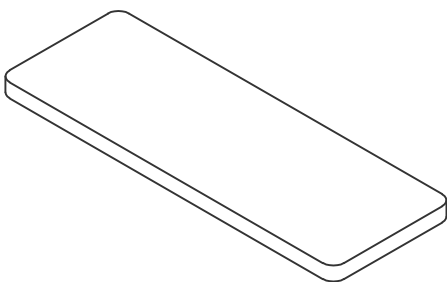
1 PC

25



1 PC

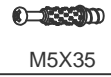
26



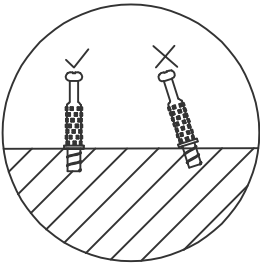
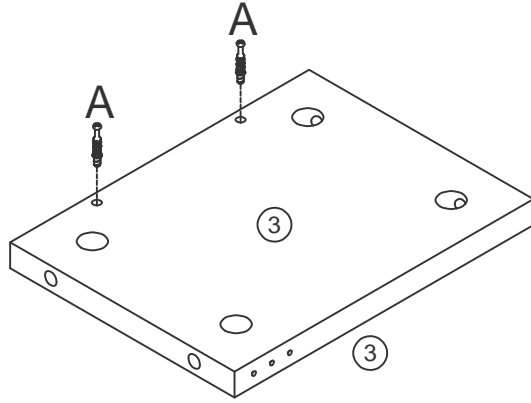
1 PC

Step: 1

A



2

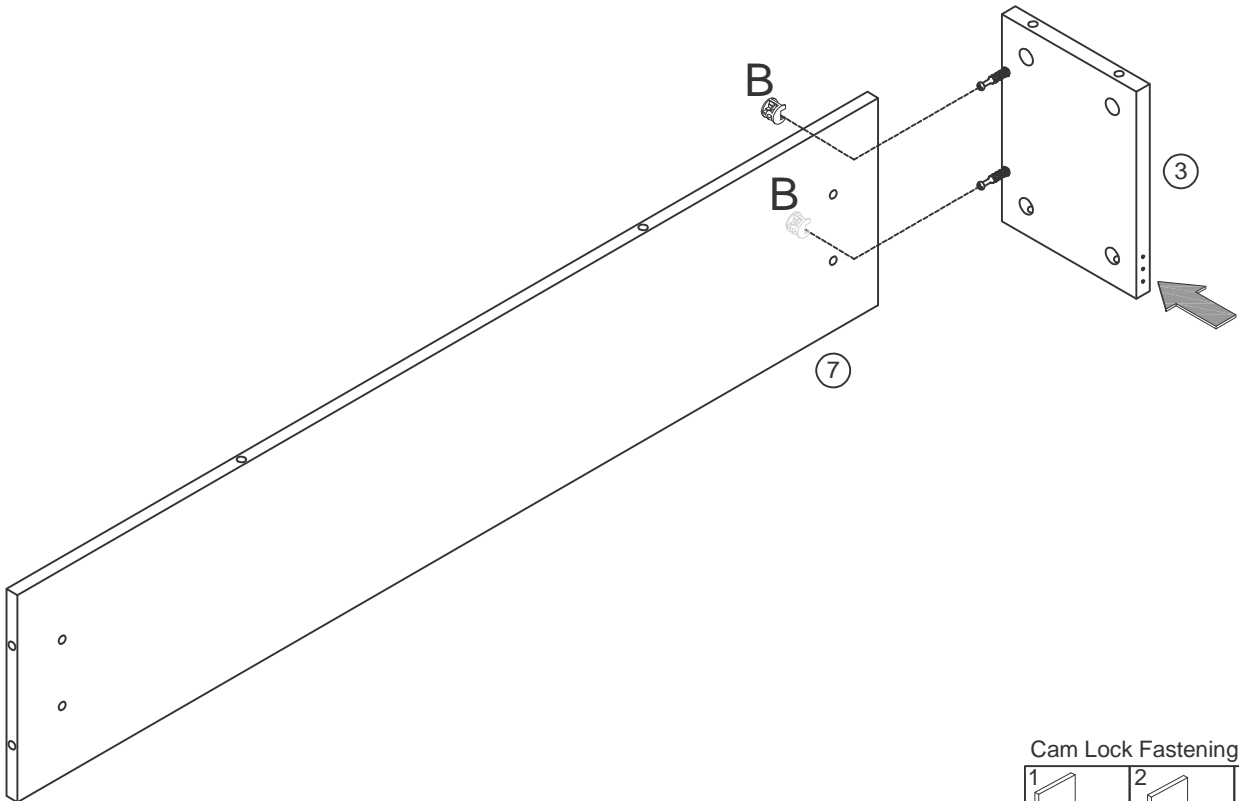


Step: 2

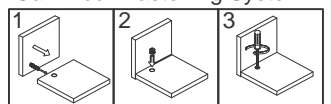
B



2

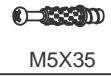


Cam Lock Fastening System

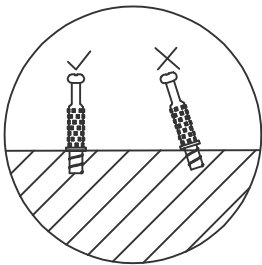
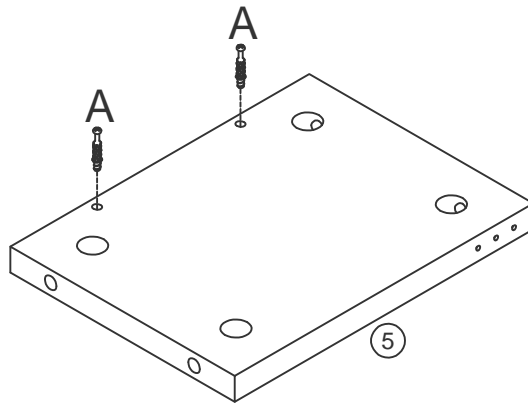


Step: 3

A



2

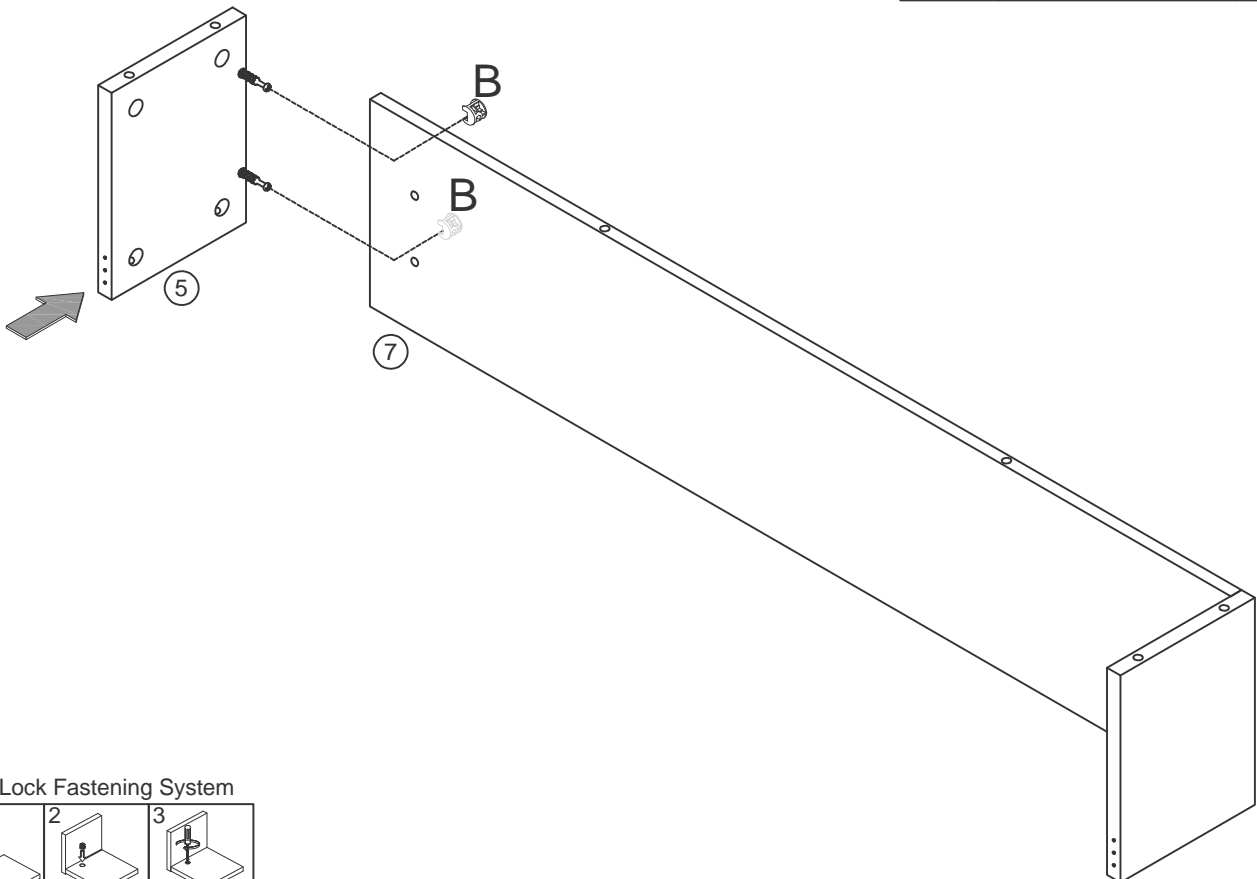


Step: 4

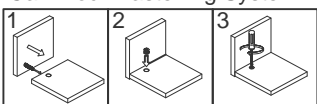
B



2

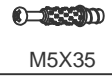


Cam Lock Fastening System

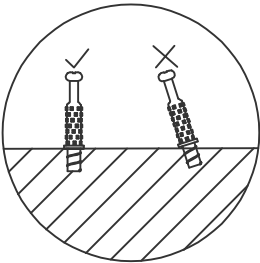
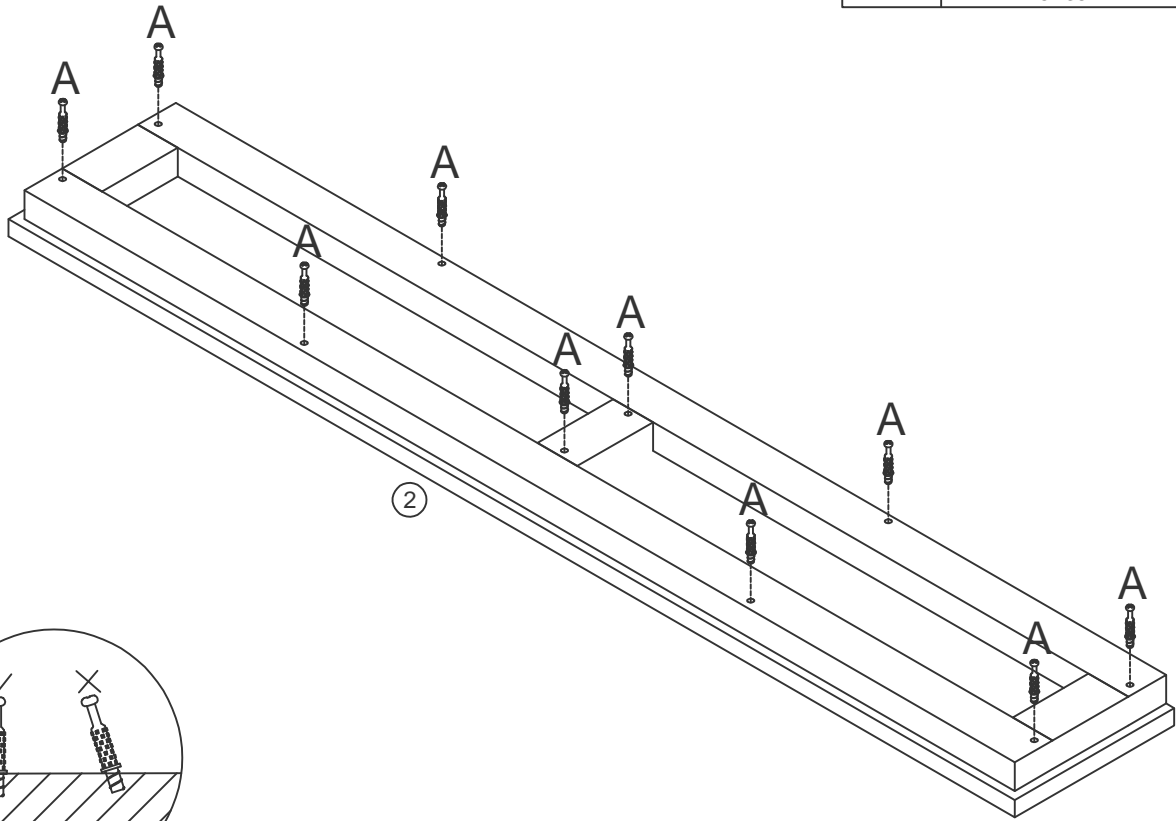


Step: 5

A



10

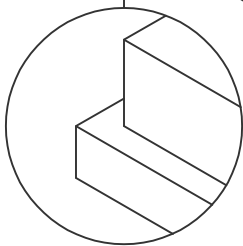
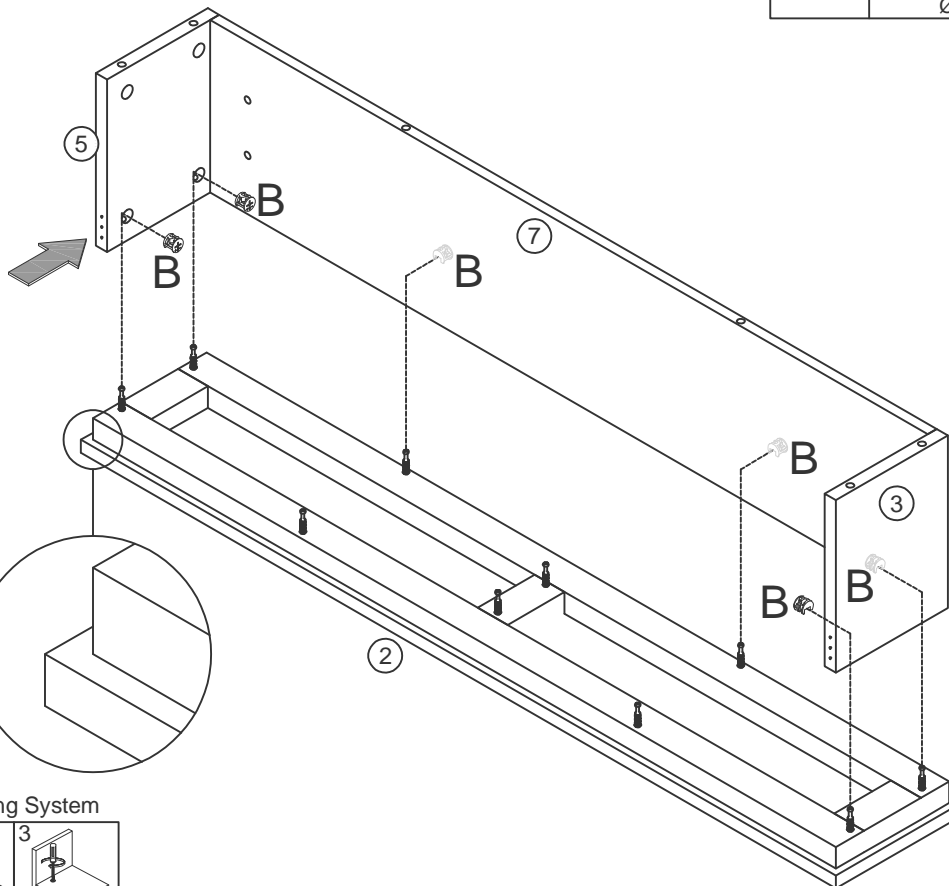


Step: 6

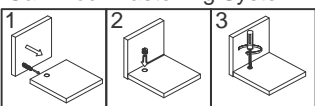
B



6



Cam Lock Fastening System

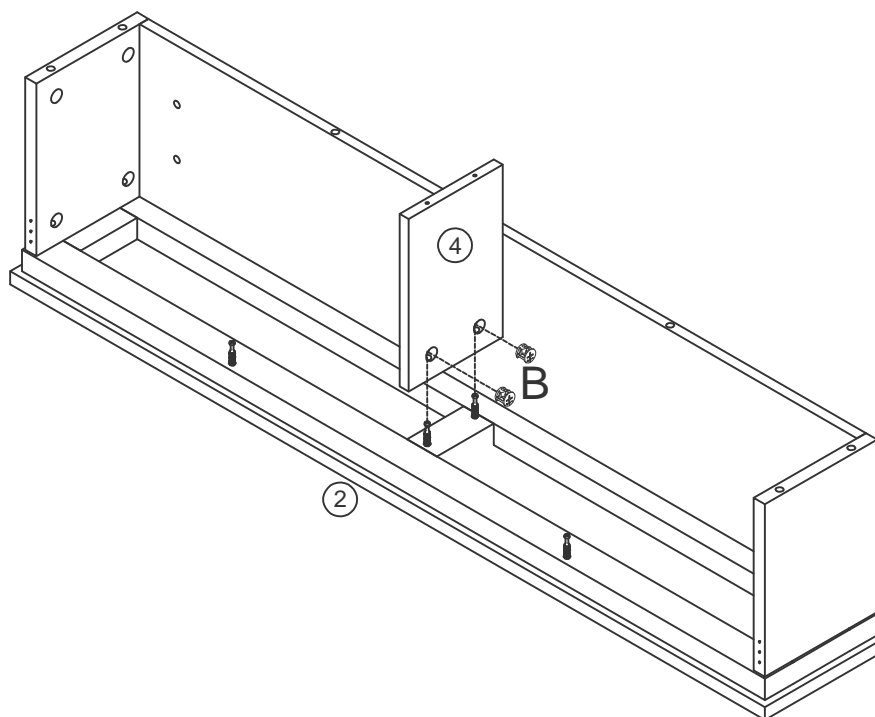


# Step: 7

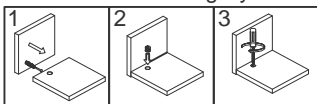
B



2



Cam Lock Fastening System

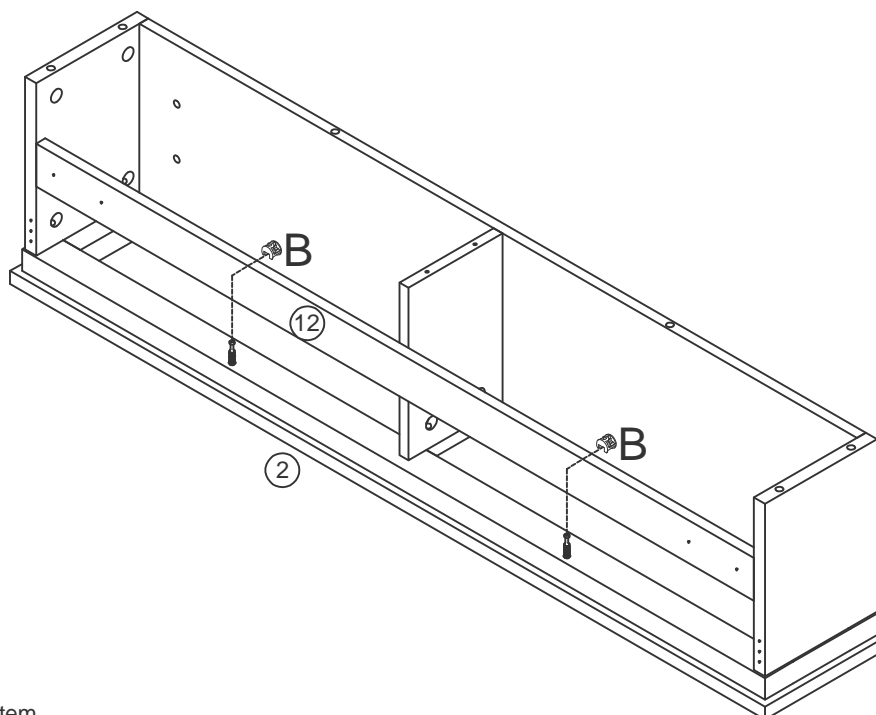


# Step: 8

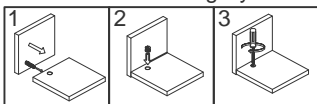
B





2

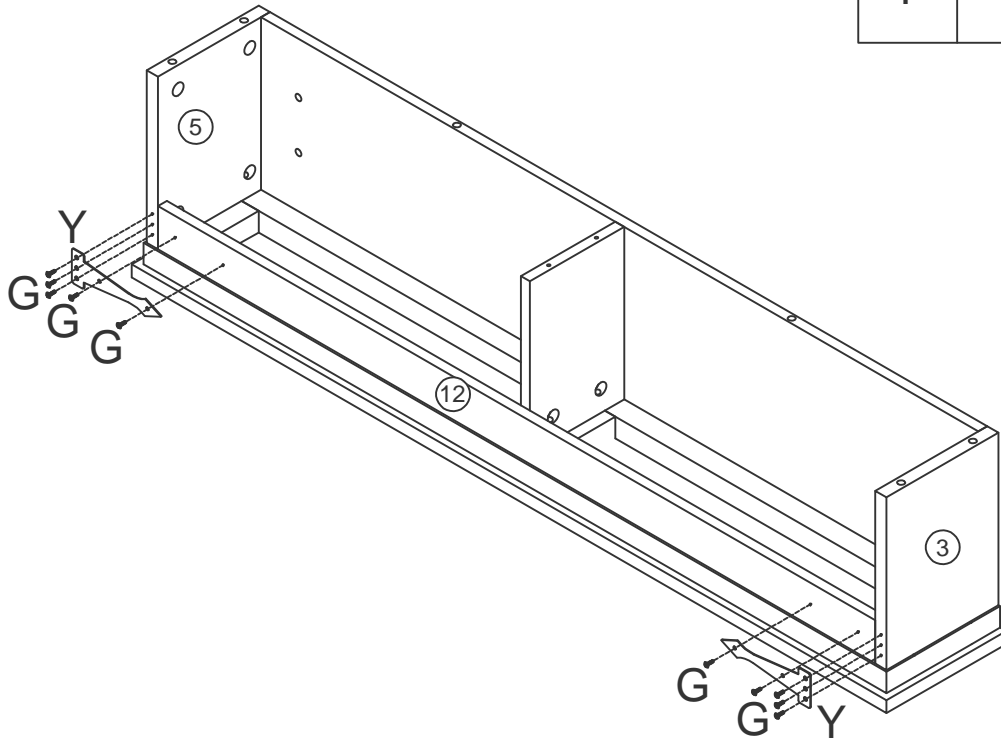


Cam Lock Fastening System





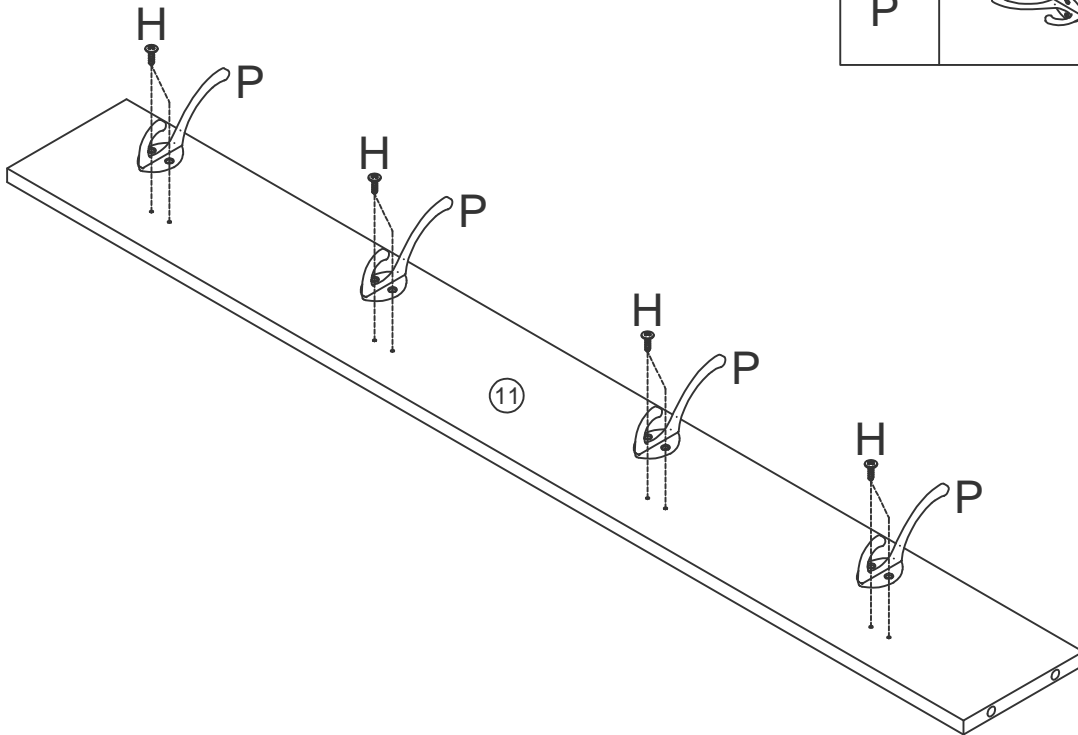
Step: 9

G	 M3.5X10	10
Y		2



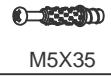
Step: 10

H	 M3.5X14	8
P		4

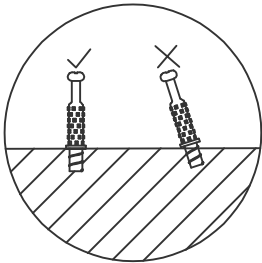
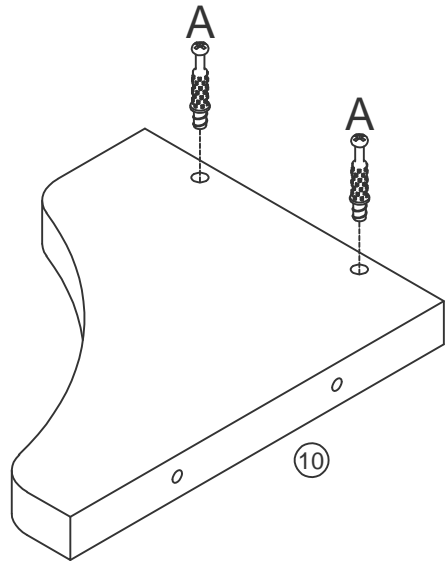
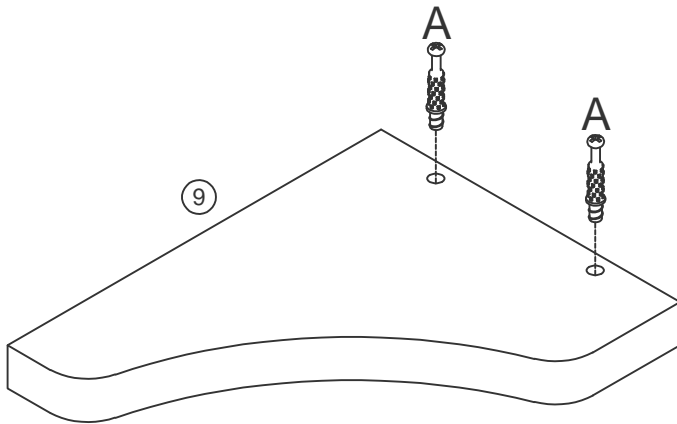


Step: 11

A



4

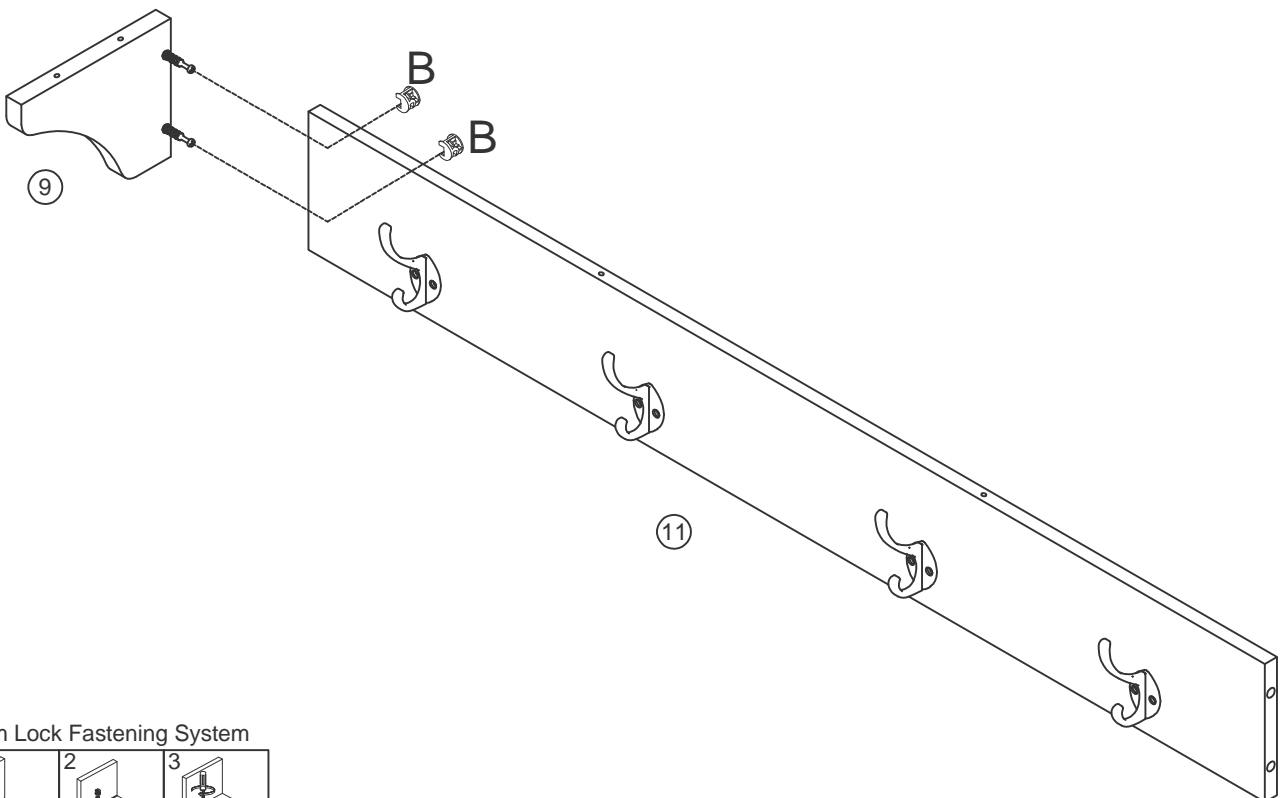


Step: 12

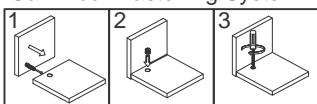
B



2



Cam Lock Fastening System

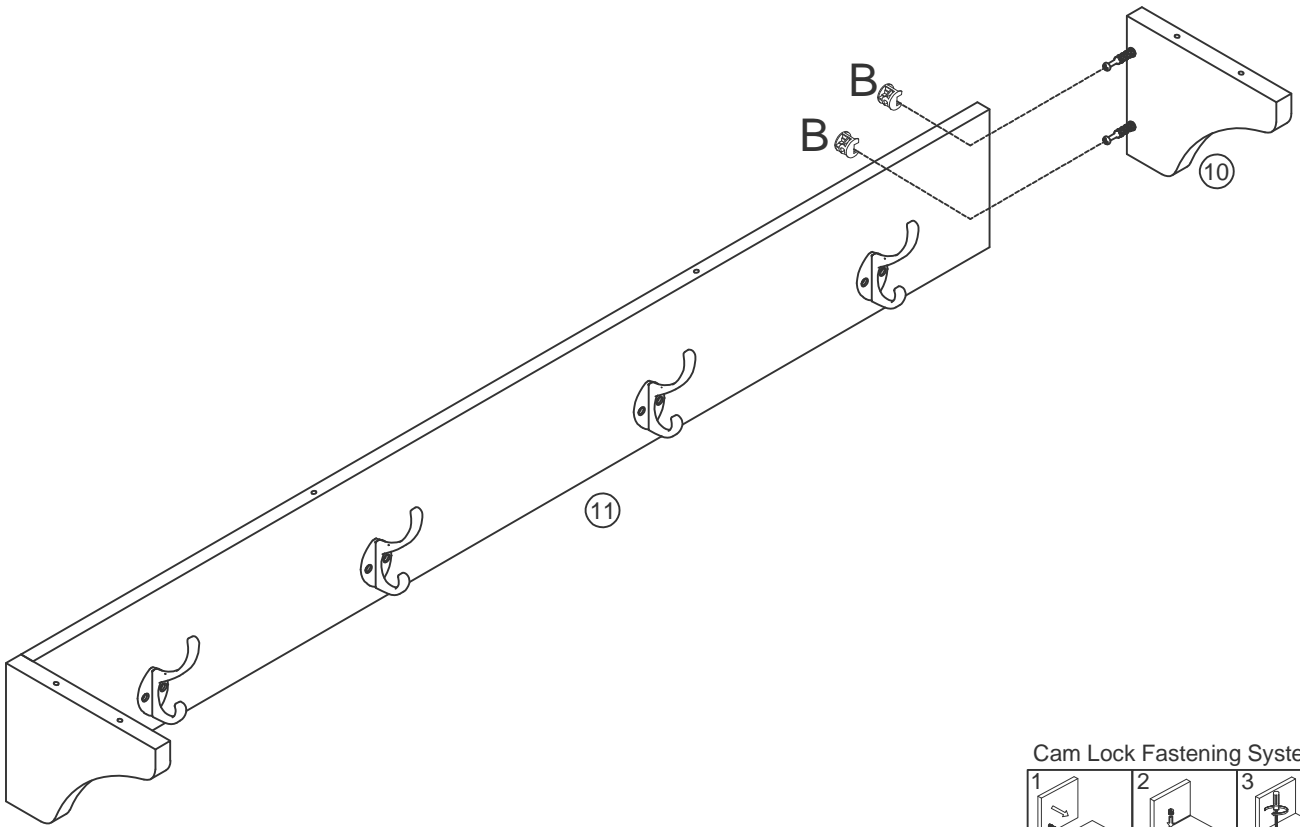


Step: 13

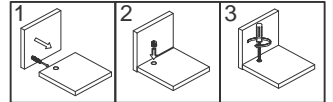
B



2

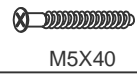


Cam Lock Fastening System

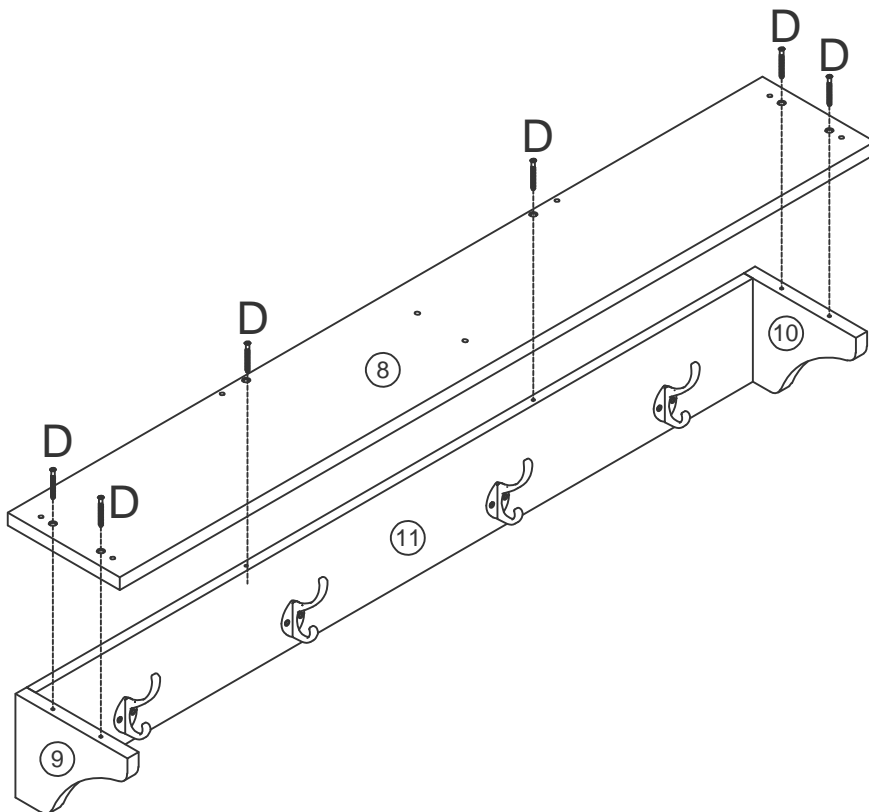


Step: 14

D



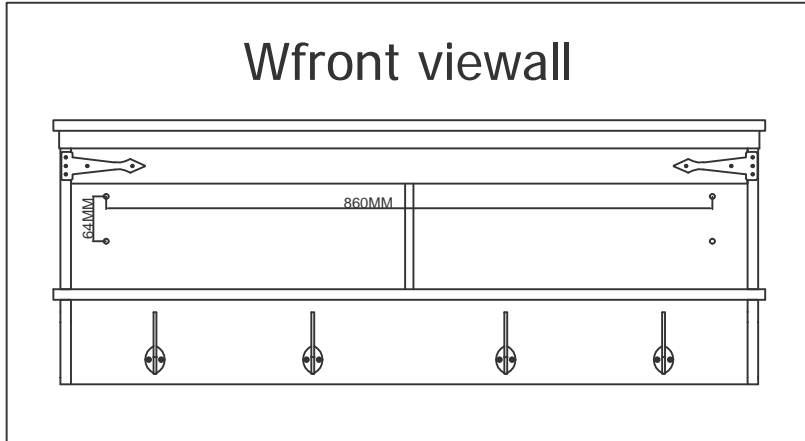
6



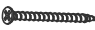




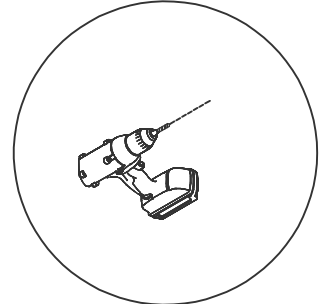
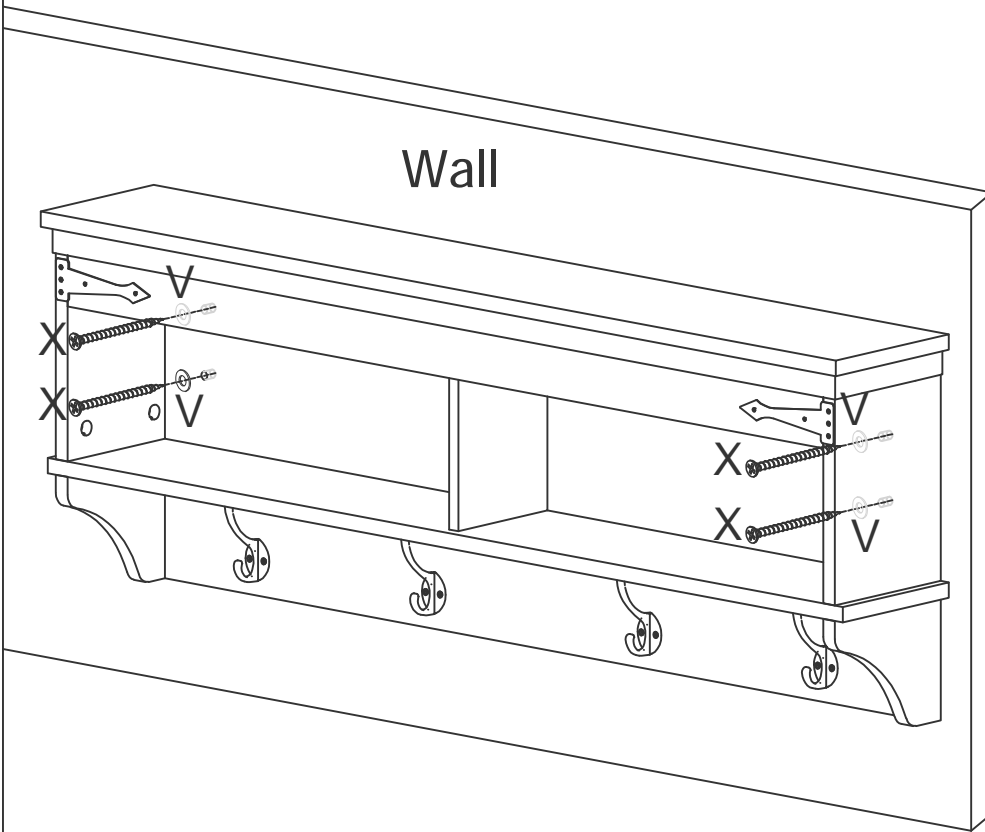
Step: 17

Wfront viewall

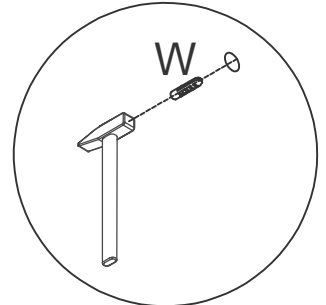


V	 M6X1.2XØ16	4
W	 Ø8X40	4
X	 M5X55	4

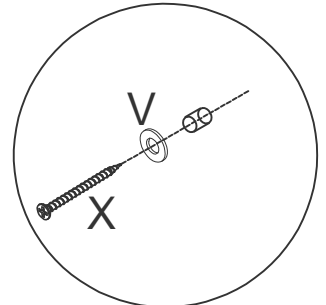
Wall



1



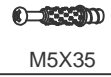
2



3

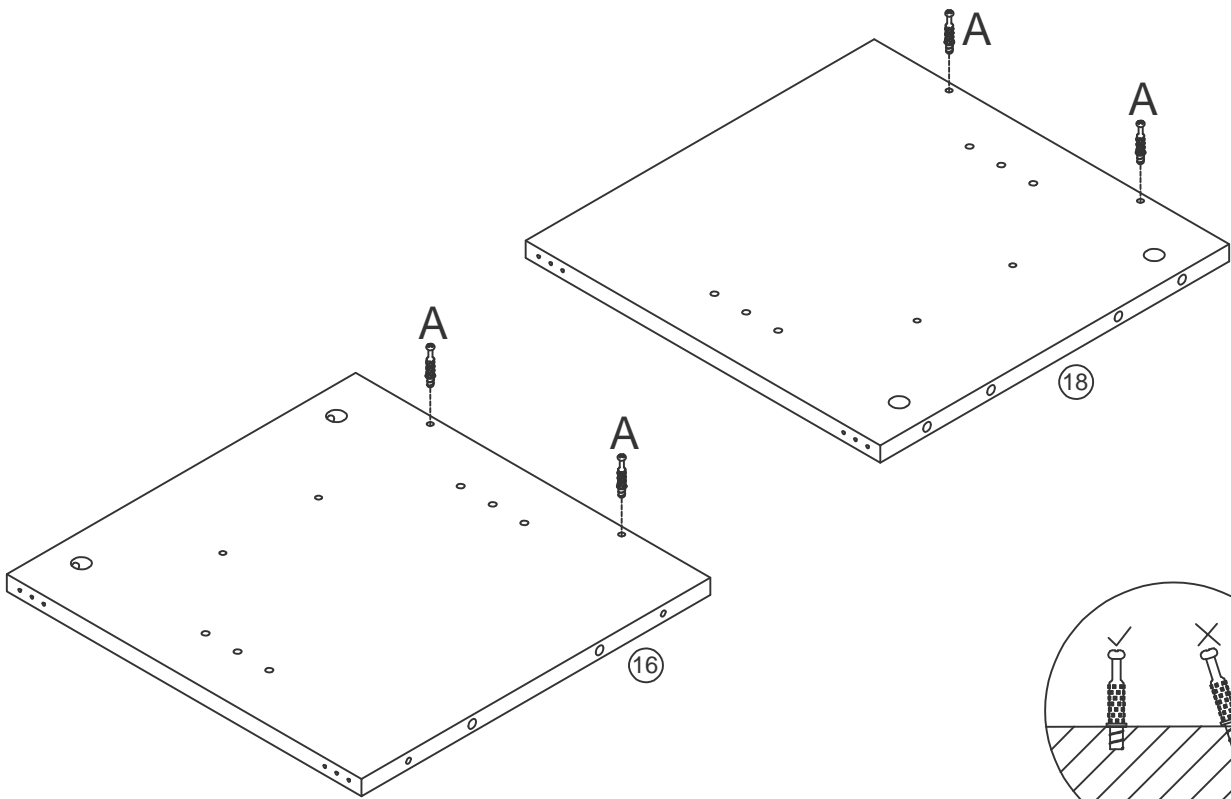
Step: 18

A



M5X35

4



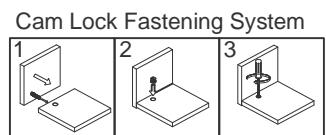
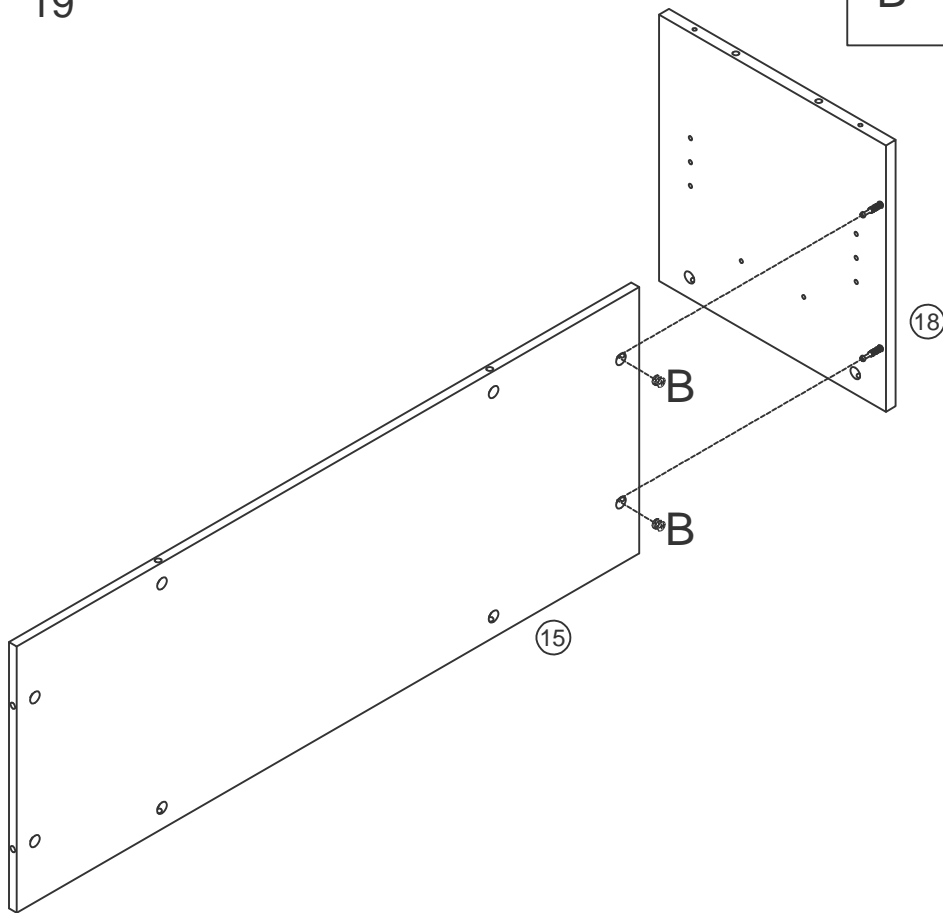
Step: 19

B



Ø15X10

2

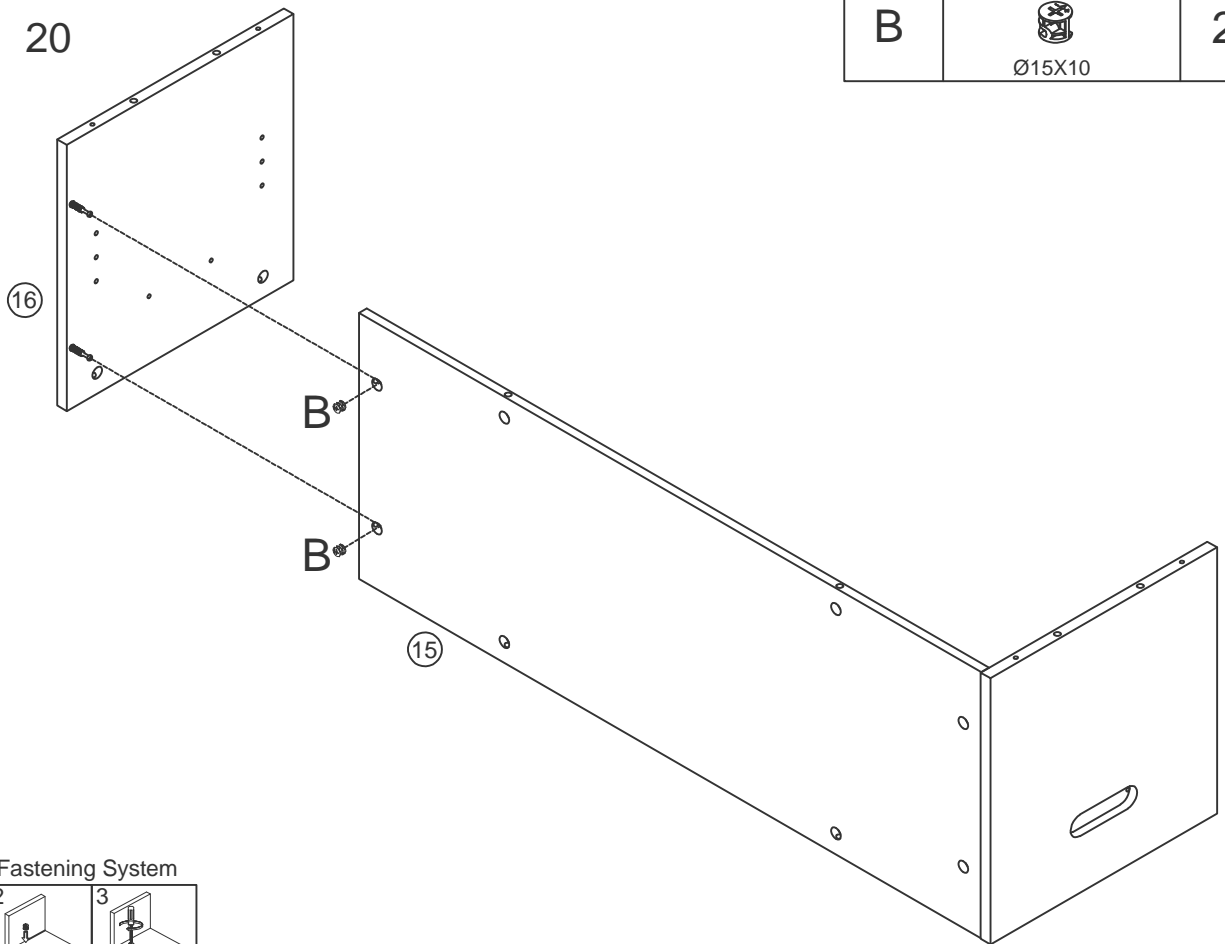


# Step: 20

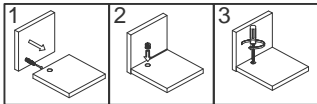
B



2

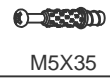


Cam Lock Fastening System

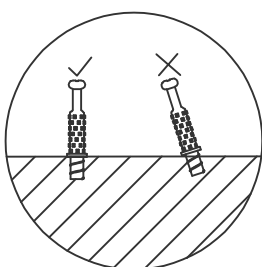
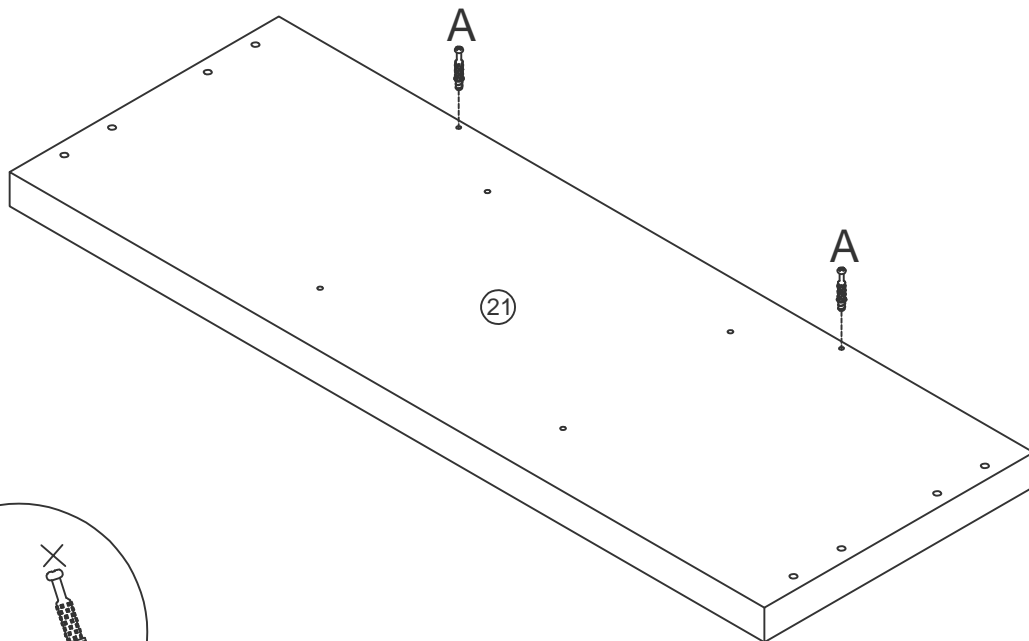


# Step: 21

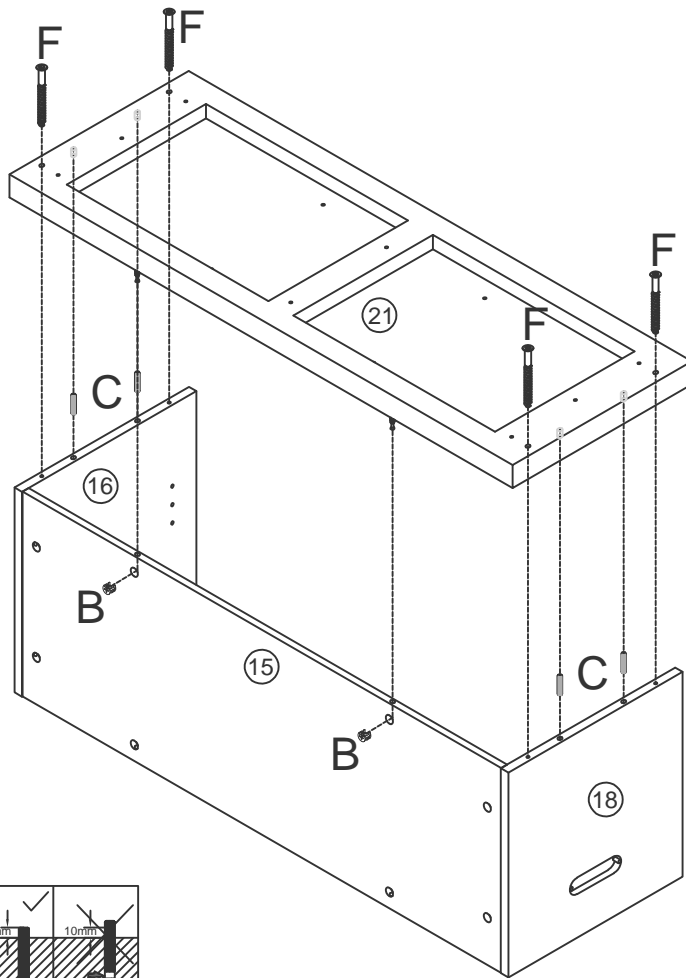
A






2

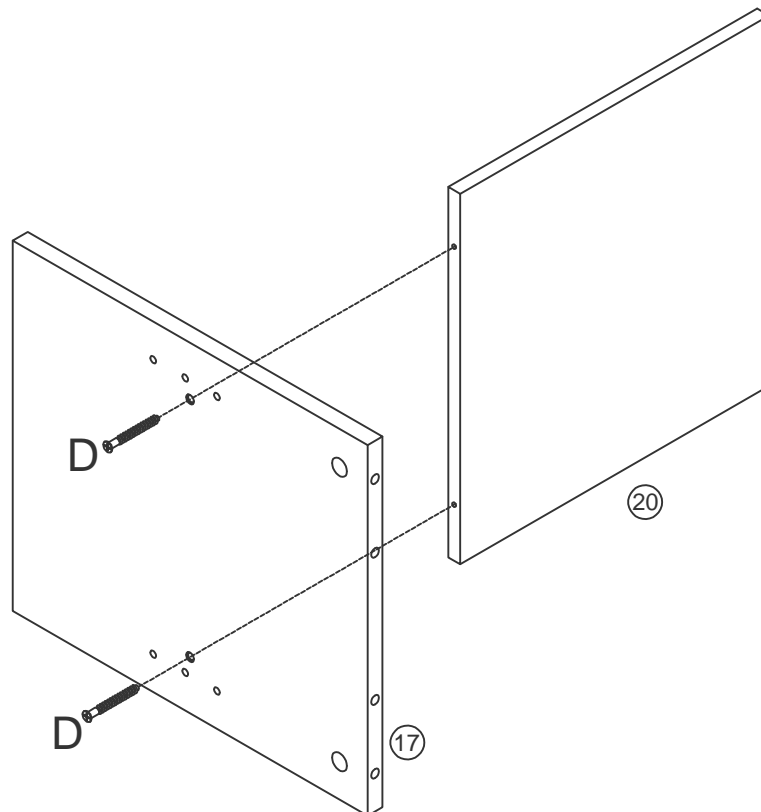



Step: 22




B	 Ø15X10	2
C	 Ø8X40	4
F	 M7X70	4

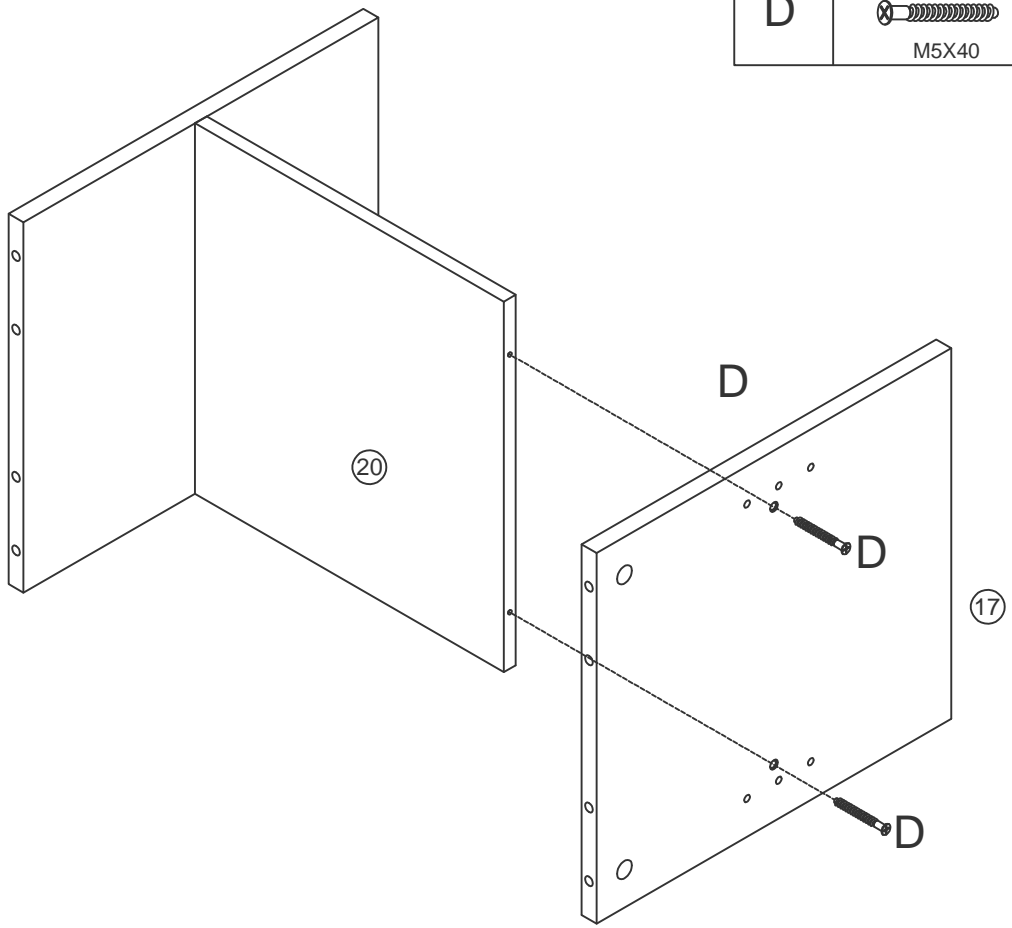
Step: 23




D	 M5X40	2
---	--	---

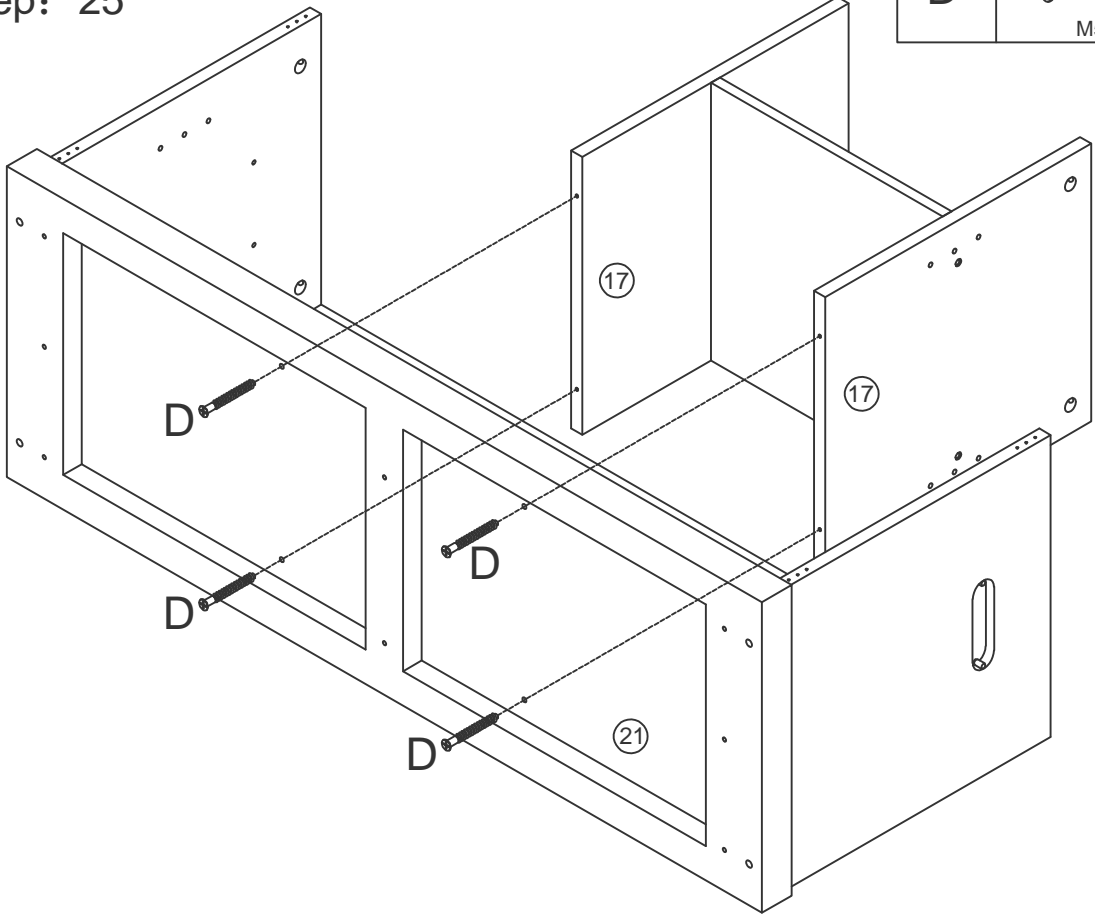
Step: 24

D		2
M5X40		




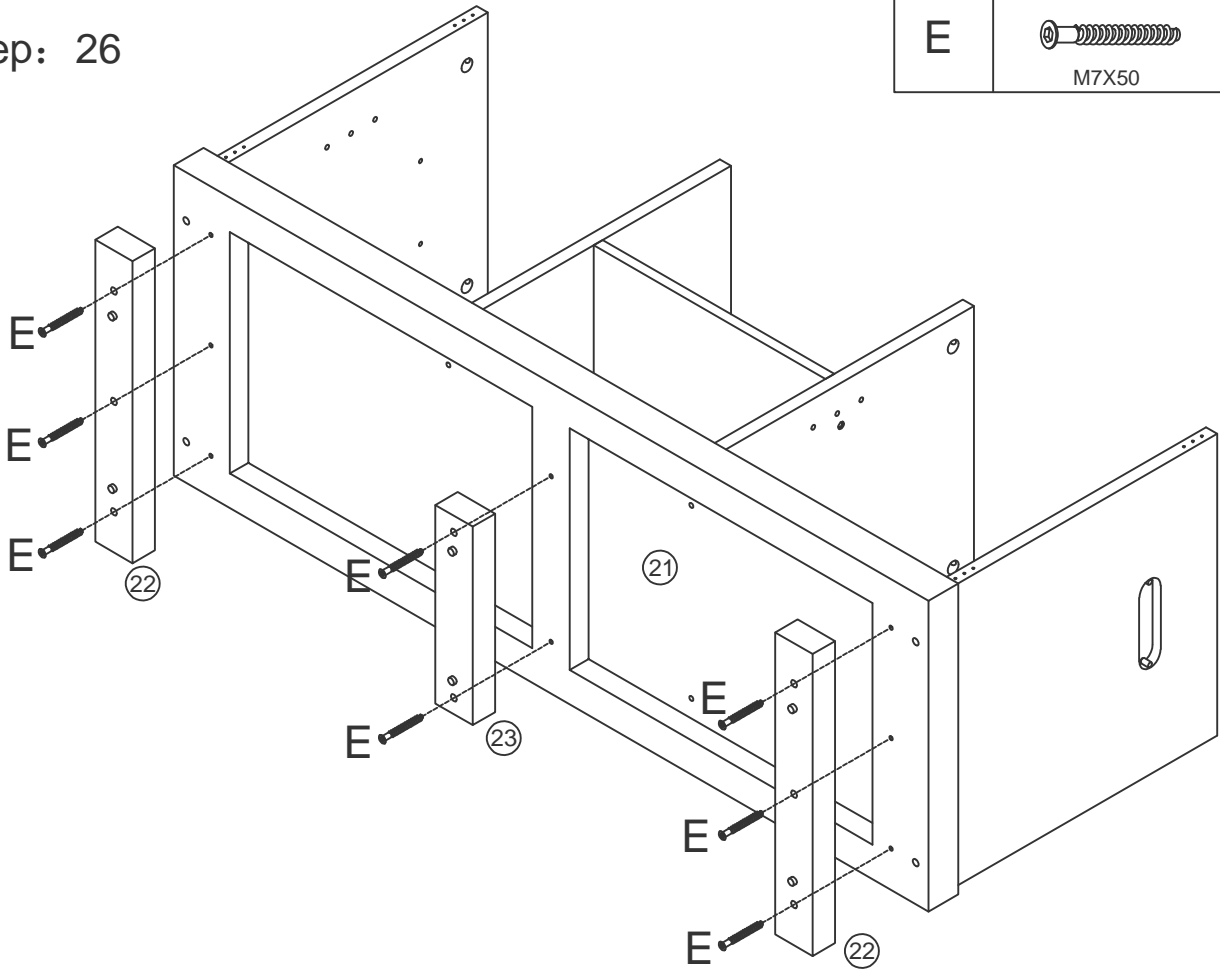
Step: 25

D		4
M5X40		





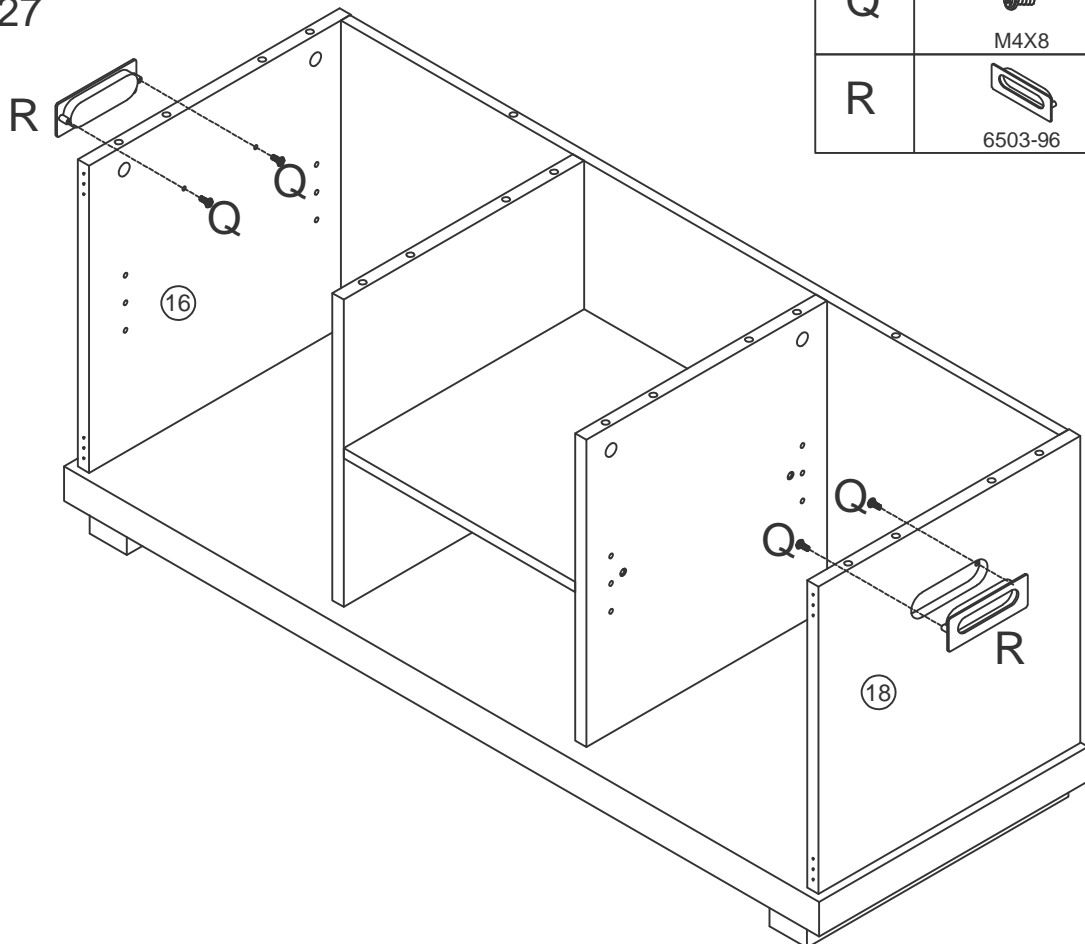
Step: 26

E		8
M7X50		

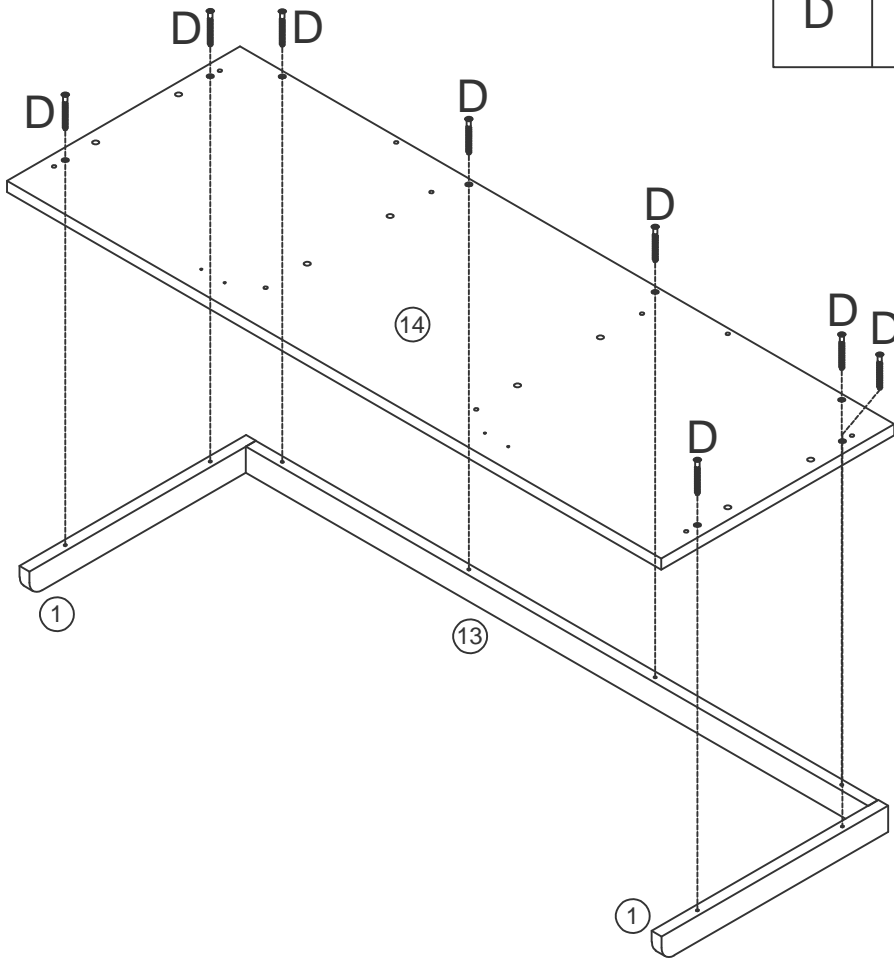



Step: 27

Q		4
M4X8		
R		2
6503-96		

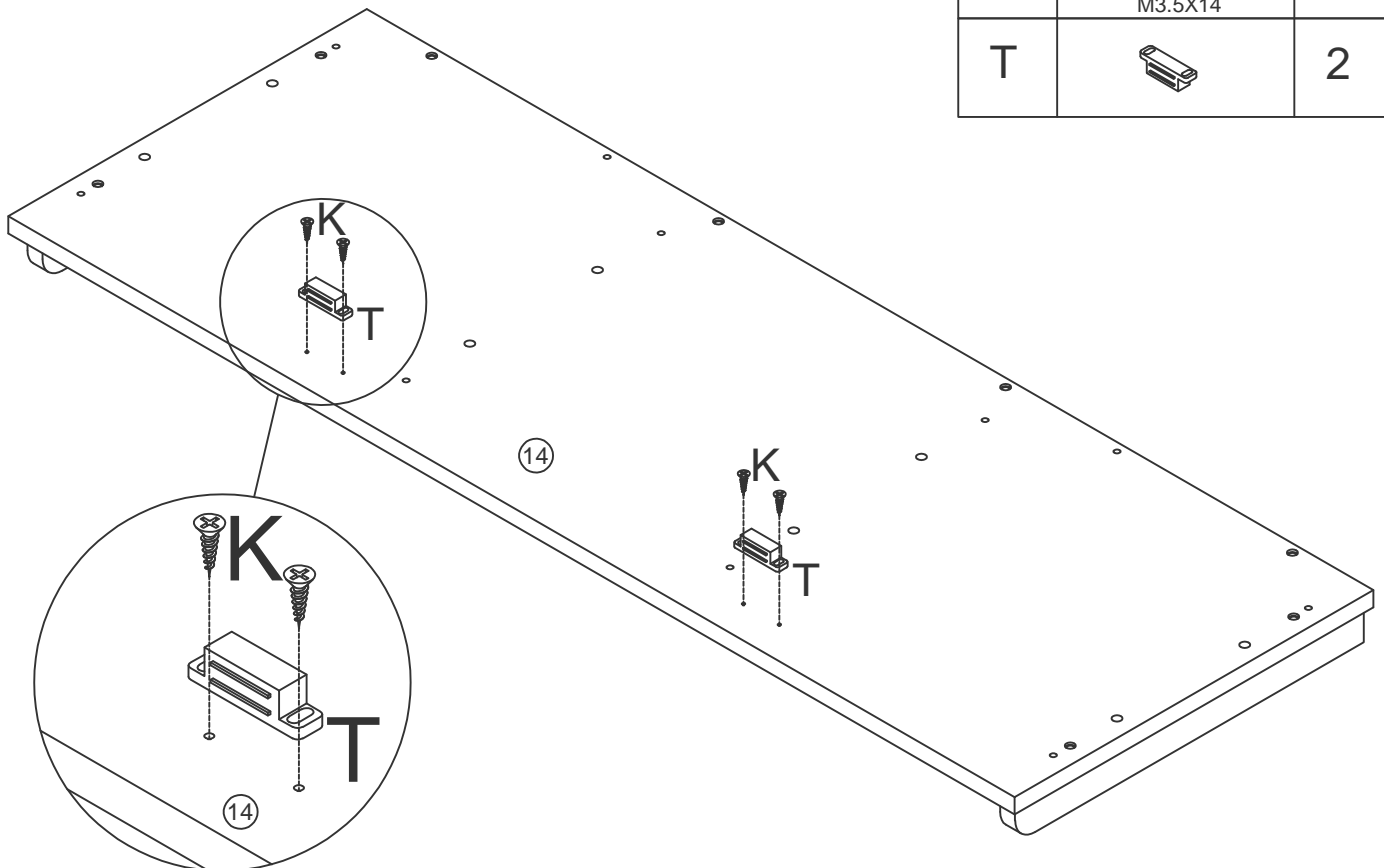




Step: 28




D	 M5X40	8
---	--	---

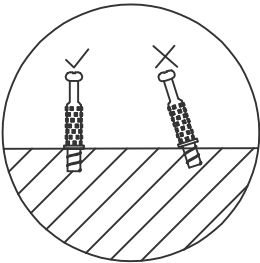
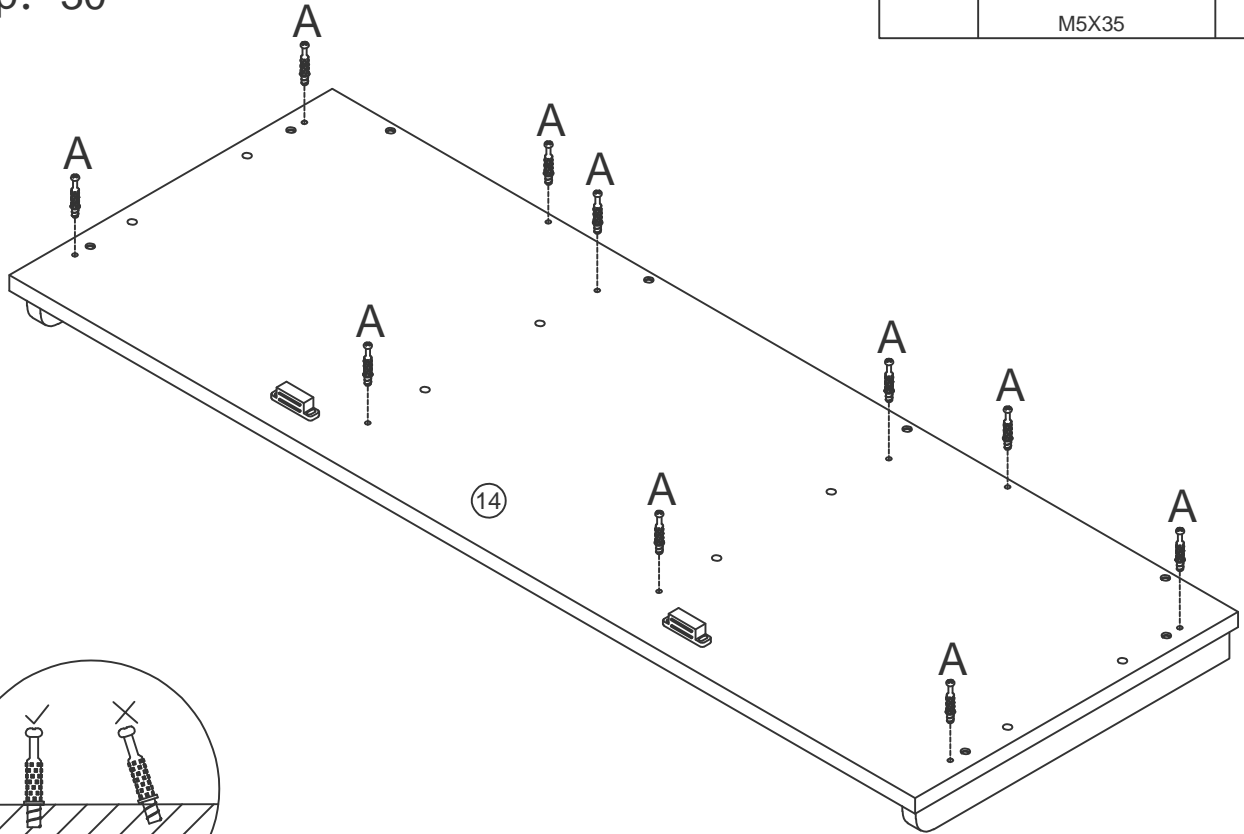
Step: 29





K	 M3.5X14	4
T		2

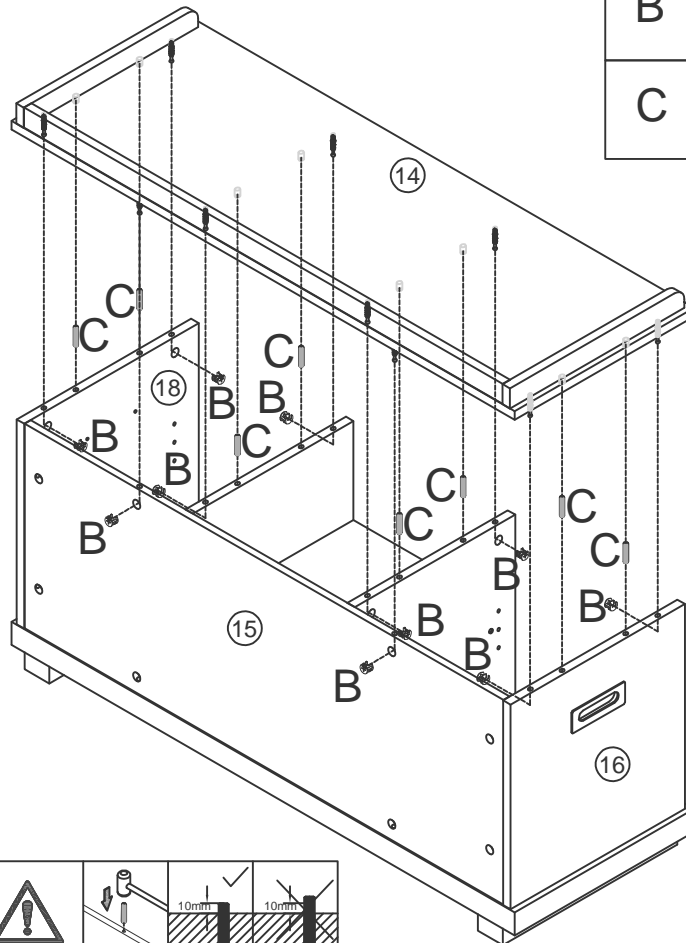
Step: 30

A	 M5X35	10
---	--	----

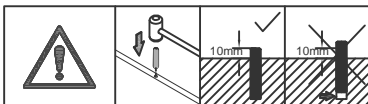
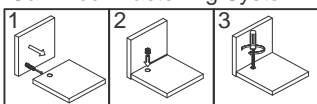


Step: 31

B	 Ø15X10	10
C	 Ø8X40	8



Cam Lock Fastening System

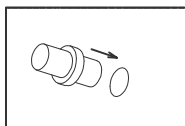
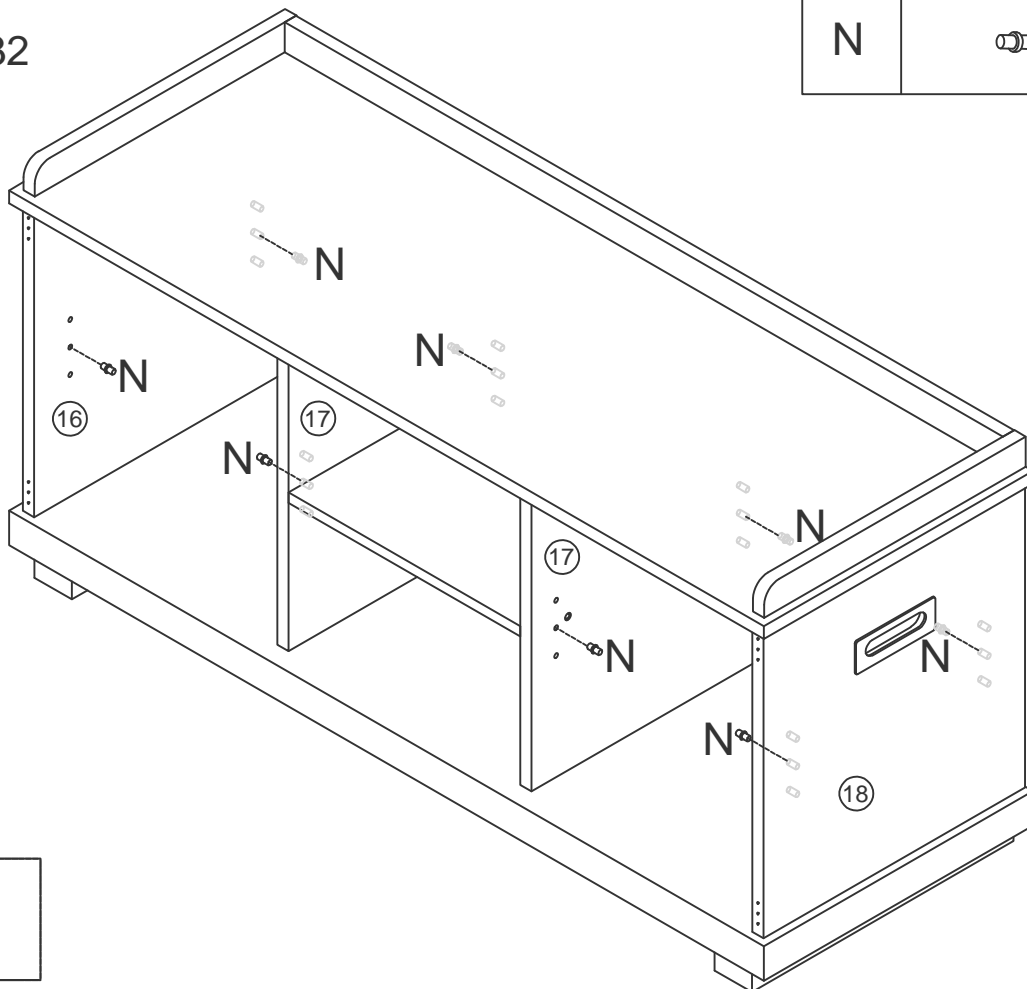


Step: 32

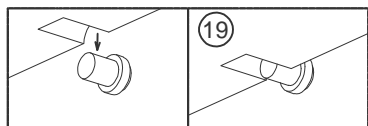
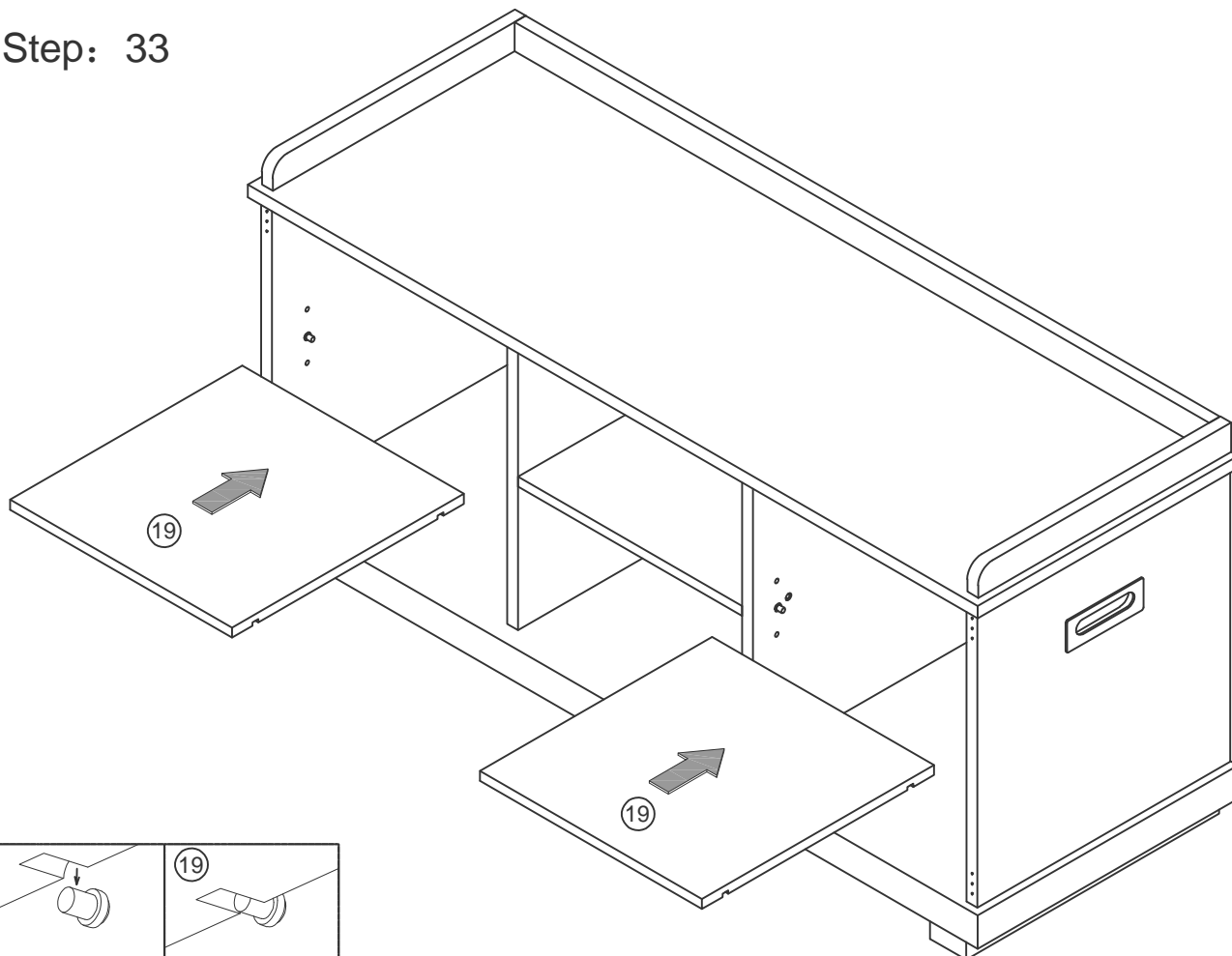
N





8

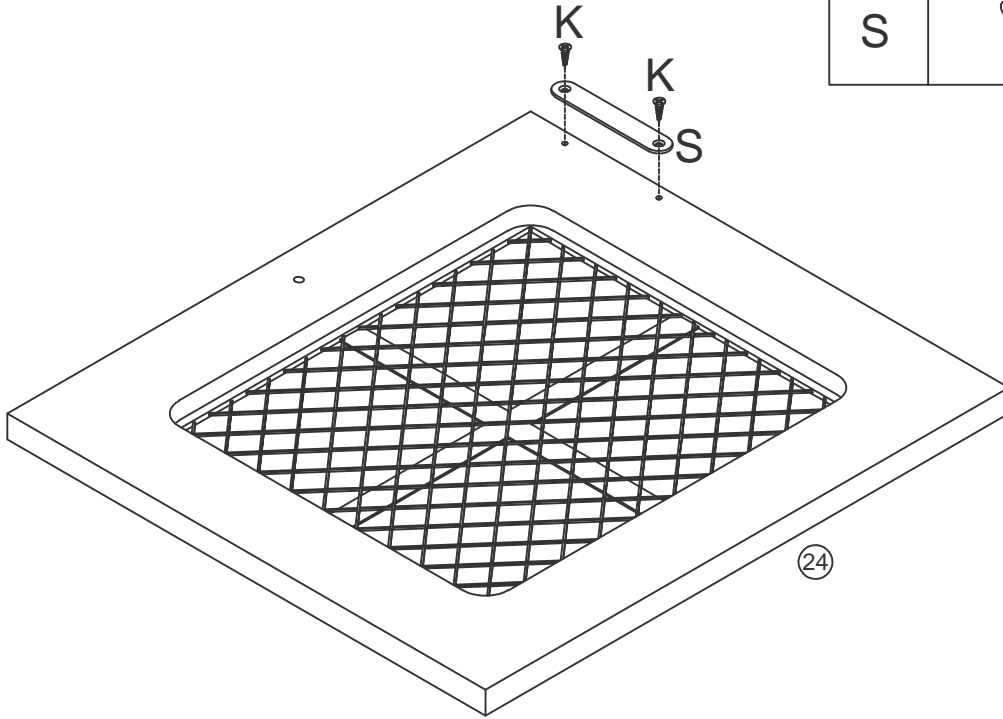


Step: 33





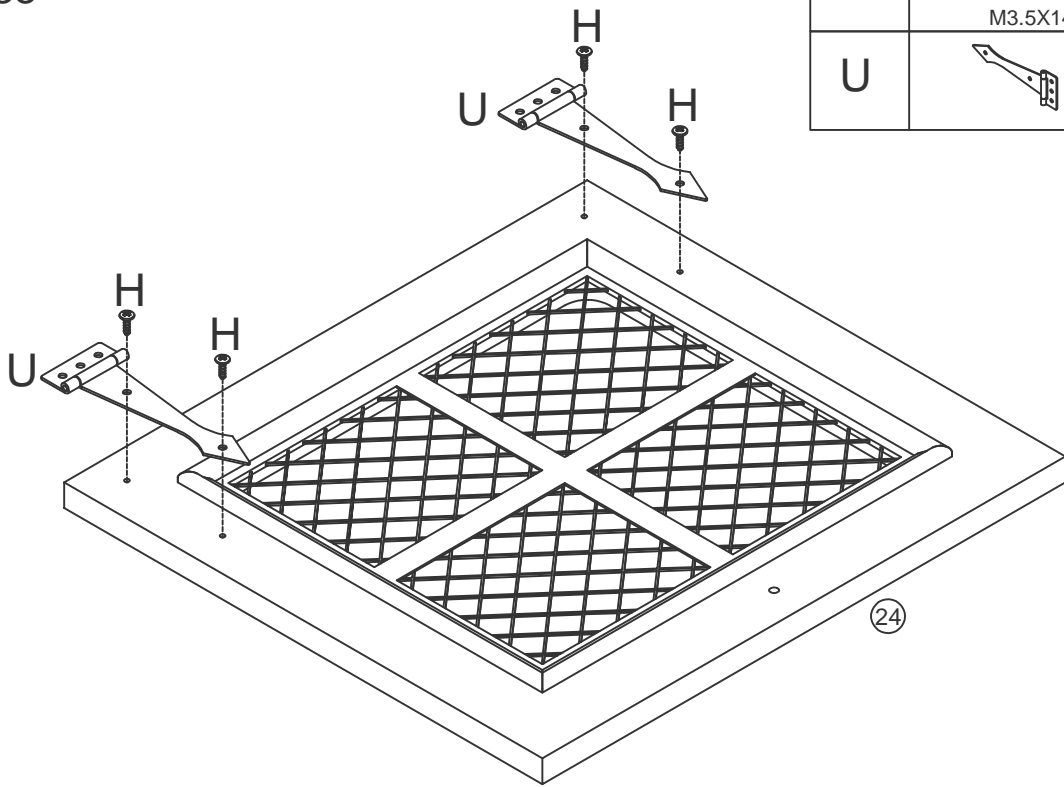
Step: 34

K	 M3.5X14	2
S		1

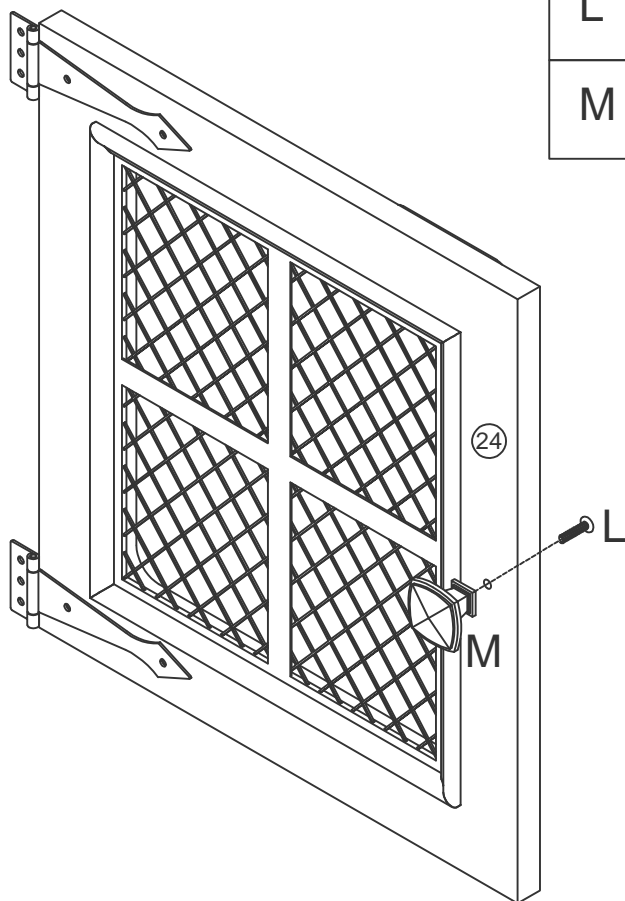


Step: 35

H	 M3.5X14	4
U		2

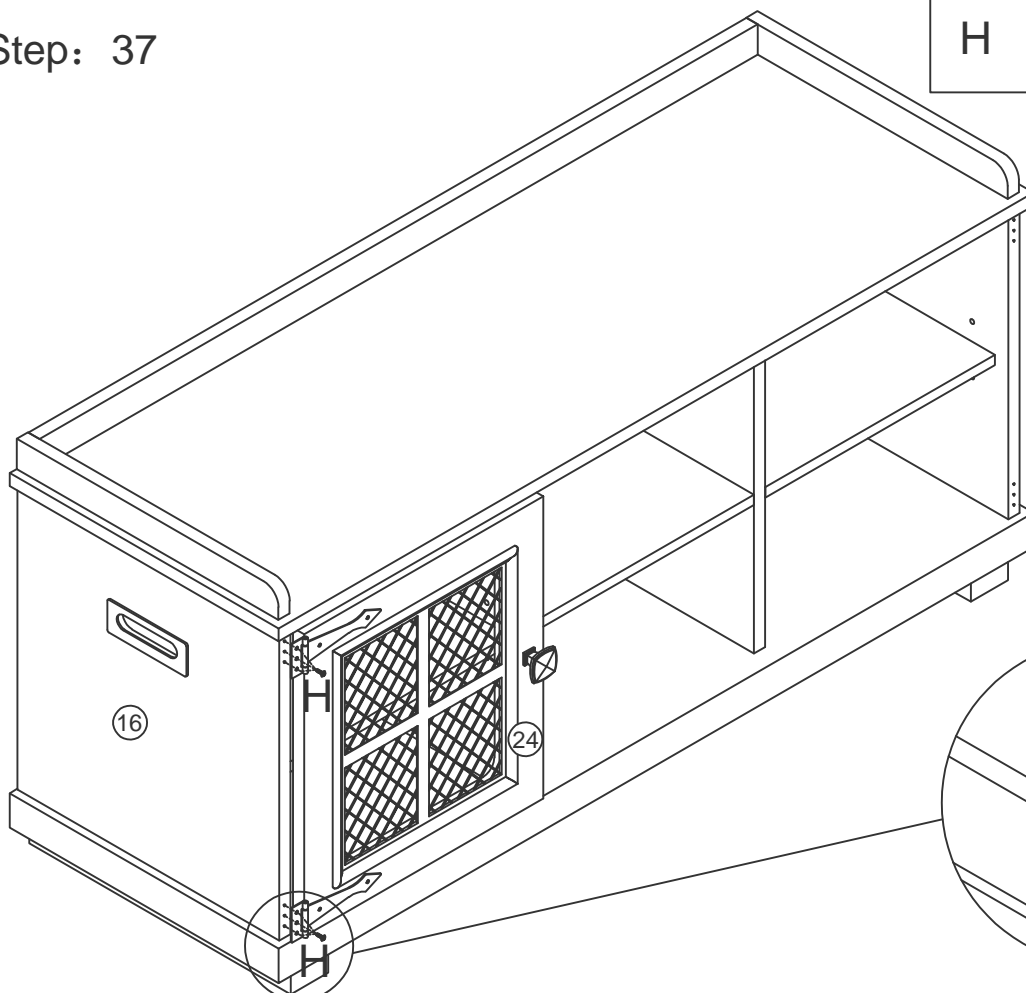



Step: 36





L	 M4X20	1
M	 111	1

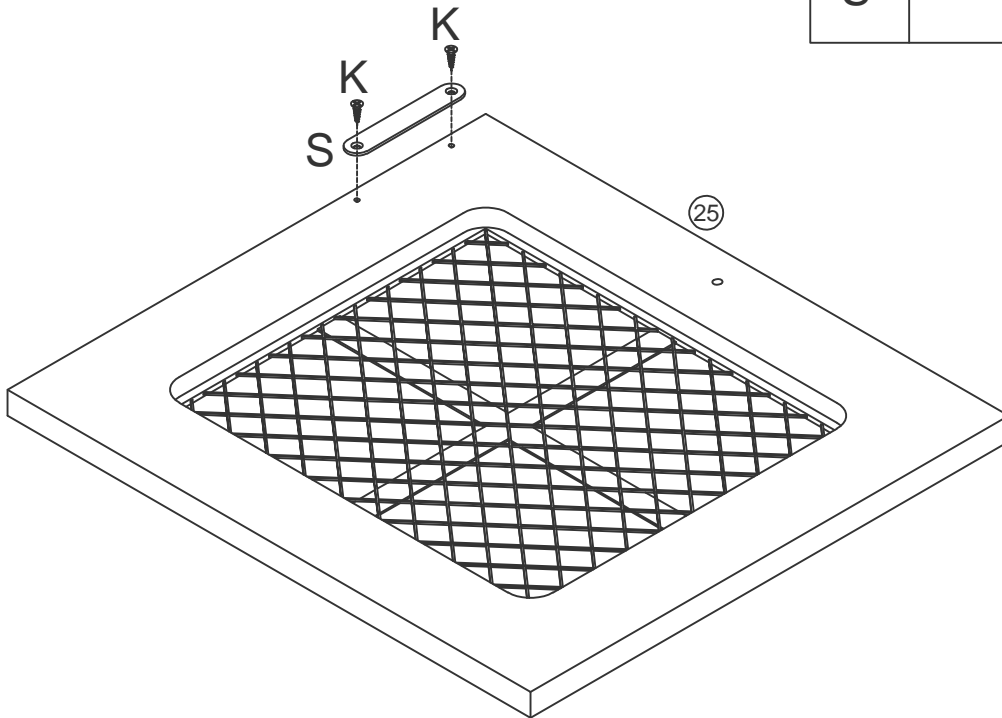
Step: 37





H	 M3.5X14	6
---	--	---

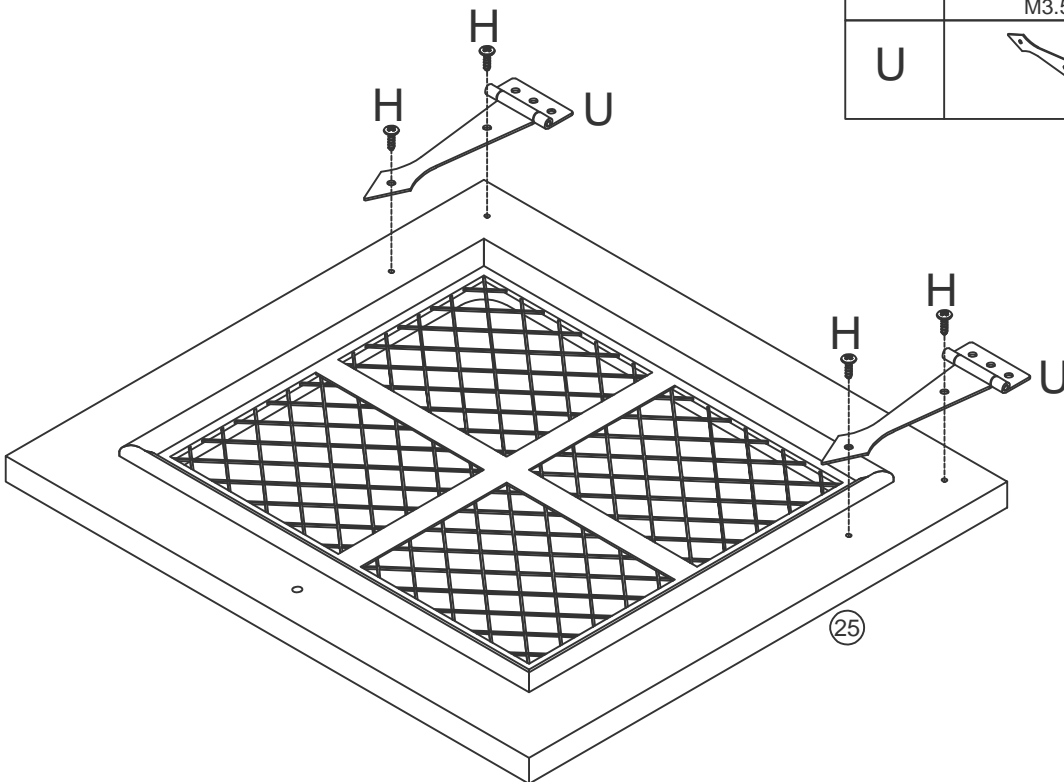
Step: 38

K	 M3.5X14	2
S		1

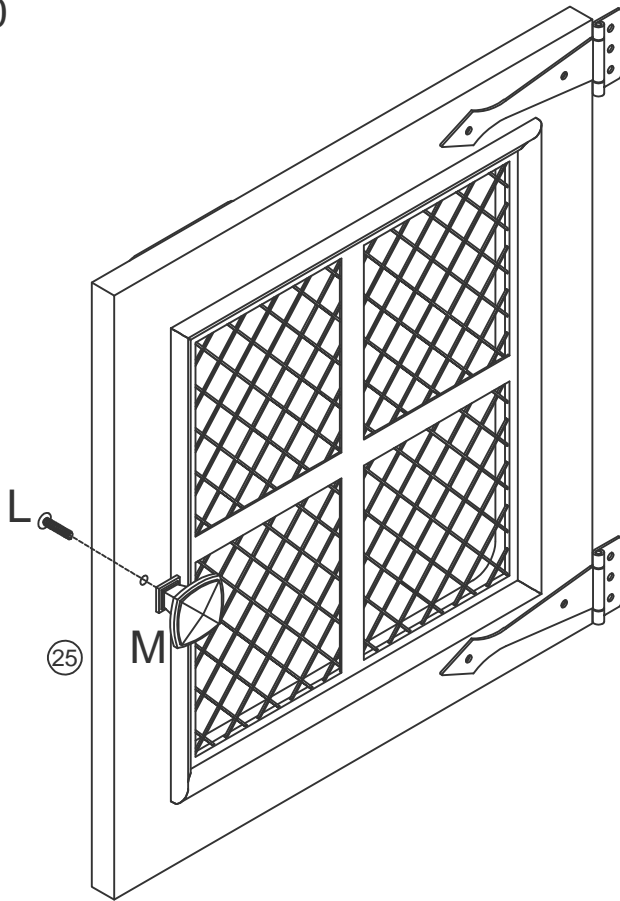




Step: 39

H	 M3.5X14	4
U		2

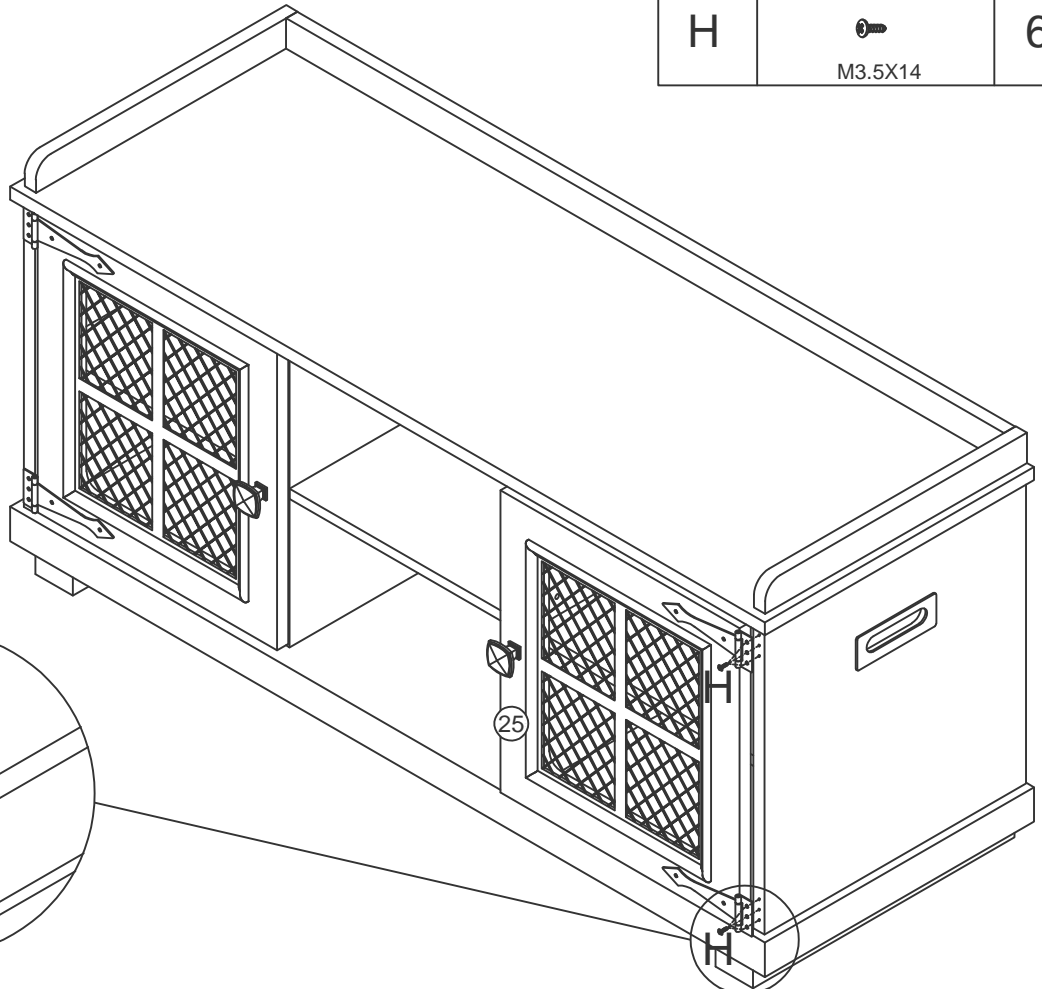


Step: 40



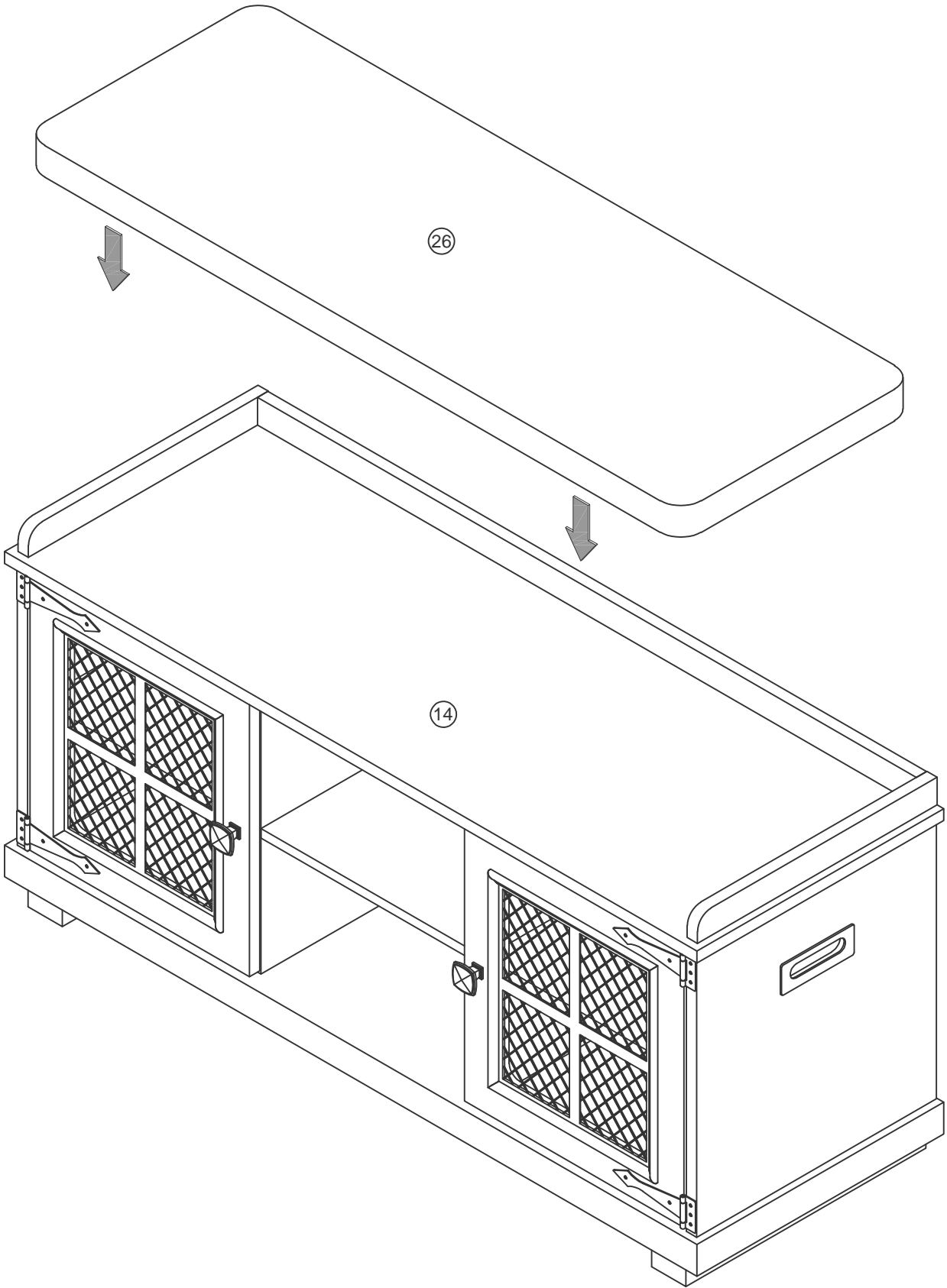
L	 M4X20	1
M	 111	1

Step: 41



H	 M3.5X14	6
---	--	---

Step: 42

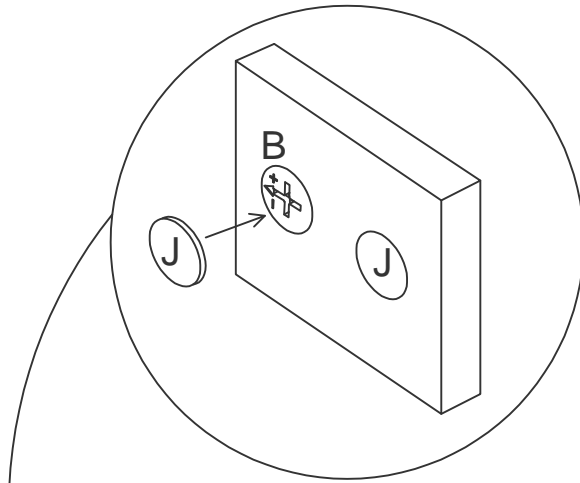


Step: 43

J



18



Cover all positive B parts with J parts.

