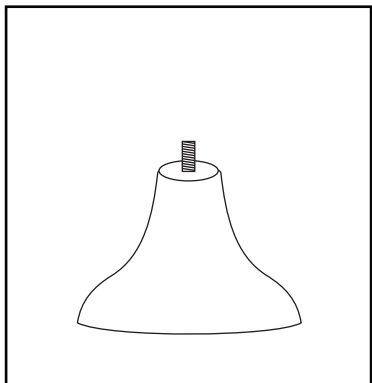
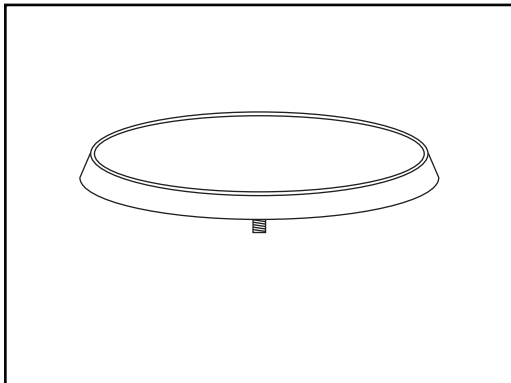


# ASSEMBLY INSTRUCTION

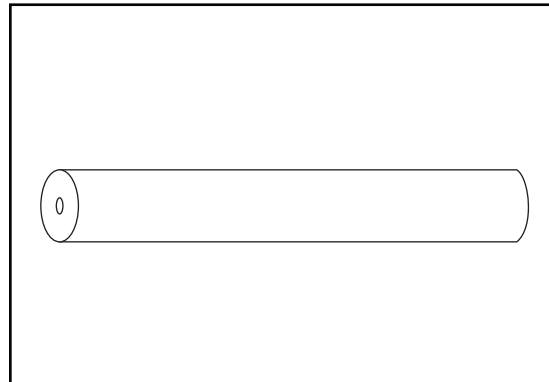
## SIDE TABLE



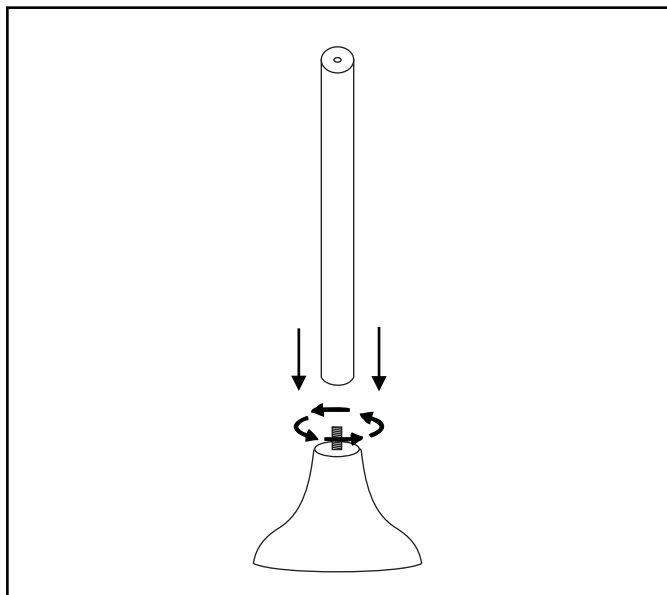
1. METAL BASE



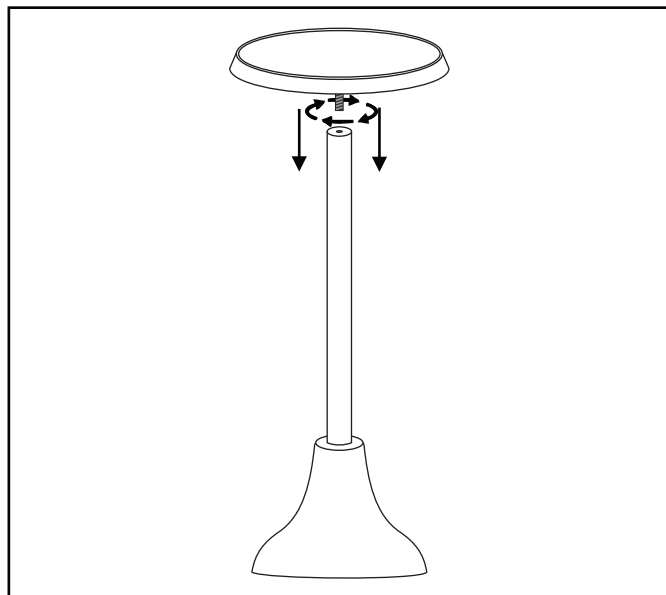
2. 1 PC METAL PLATE



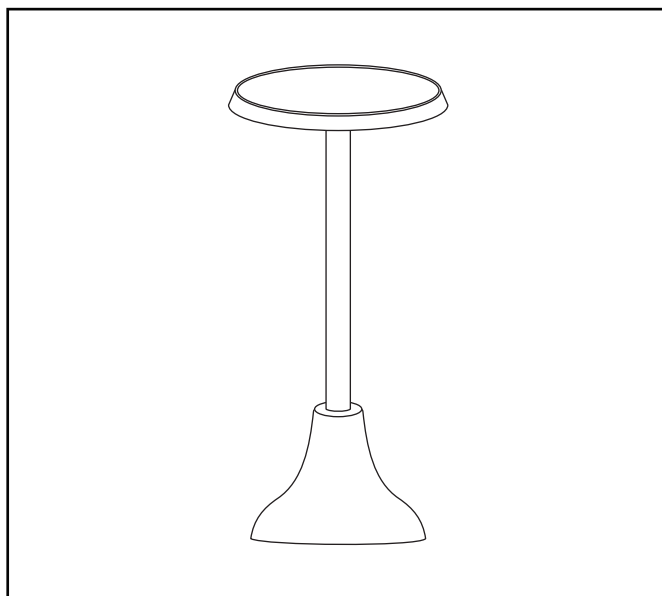
3. 1 PC METAL POLE



STEP-1



STEP-2



ASSEMBLED