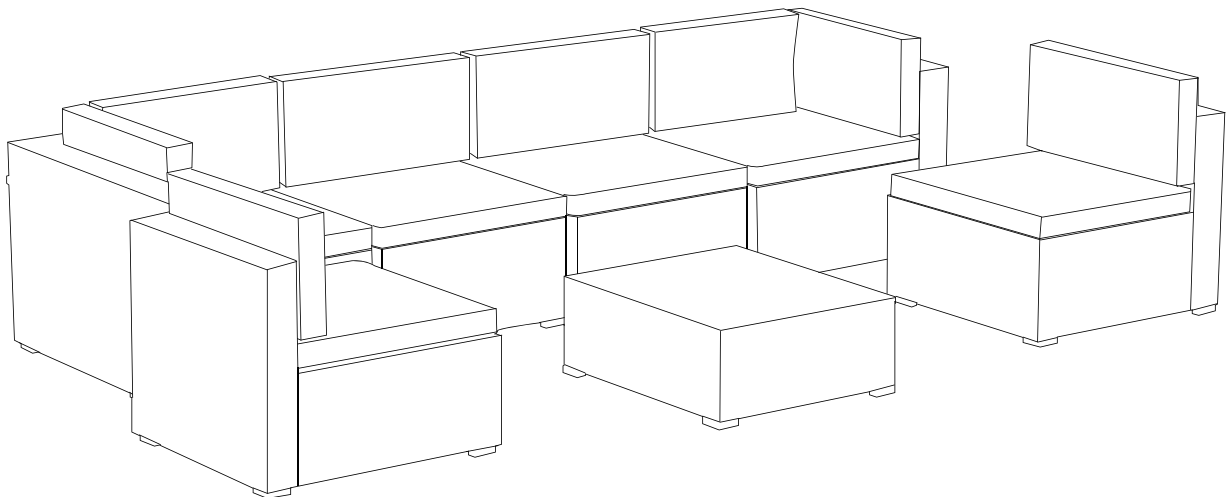


Thank you very much
for purchasing our outdoor sectional.

OWNER'S MANUAL

Outdoor Sectional



SAFETY PRECAUTIONS

⚠ Warning

- Please read and understand this entire manual before attempting to assemble or install the product.
- Some parts may contain sharp edges. Please wear protective gloves when assemble or install the product.
- Assemble the item on a soft, non-abrasive surface such as carpeting to avoid damage.
- Keep all children and pets away from assembly area. Children and pets should be supervised when they are in the area of the sofa set construction.
- Item is heavy. Please handle with care. Two or more people are required for this assembly.

Caution

- Sofa is for seating purpose only. Do not stand on or use any part of this item as a step ladder.
- Recommended maximum sitting weight for the each sofa seating is 175 lbs /80 kgs. Please do not exceed the weight limitations of this item.
Firmly secure all bolts, screws and knobs before use.
- Reconfirm that all bolts, screws, and knobs are secure every 90 days.
- Do not use or store this item in the proximity of open flame or flammable/combustible chemicals.
- If any parts are missing, broken, damaged, or worn, stop using this product until repairs are made and/or factory replacement parts are installed.

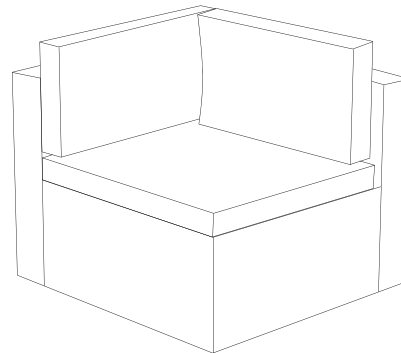
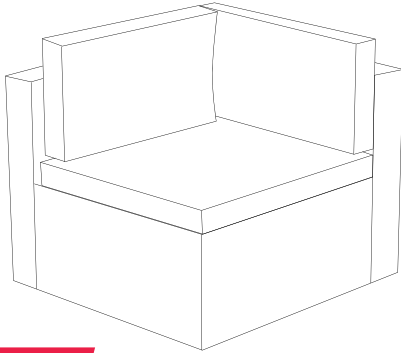
Attention

- Before assembling of product, compare every part with parts list. If any part is missing or damaged, do not attempt to assemble the product and contact us immediately.
- We care about every customer's using experience, please feel free to chat us if have some advice, efficient solution would be offered soon.
- Recommend to use waterproof furniture cover for entire patio sofa set when out of use to keep them longer performance.
- Sofa cushion cover can be removable and clean up by cleaner when have stains.
- It's available to adjust foot height through leveler regarding ground condition to keep sofa in balance.

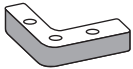

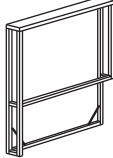
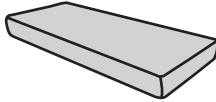
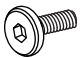
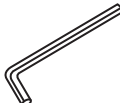
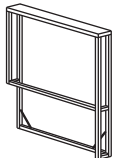
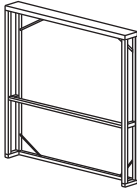
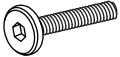

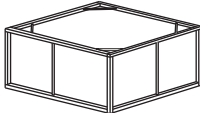
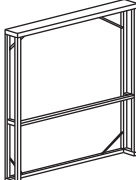

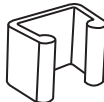
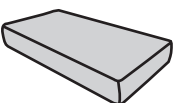
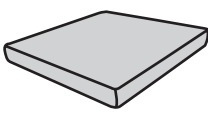

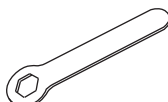
Warranty Coverage Requirements:

- Pictures of the damaged parts.
- The name or MOLDE number of your product.
- Please gather all of this information BEFORE you contact us.
- Do not use this item in a way inconsistent with the manufacturer's instructions as this could void the product warranty.

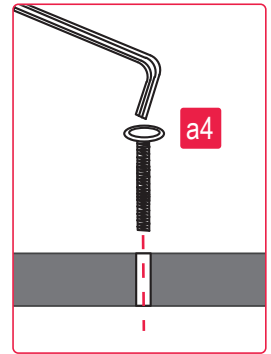
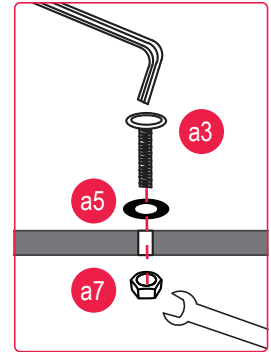
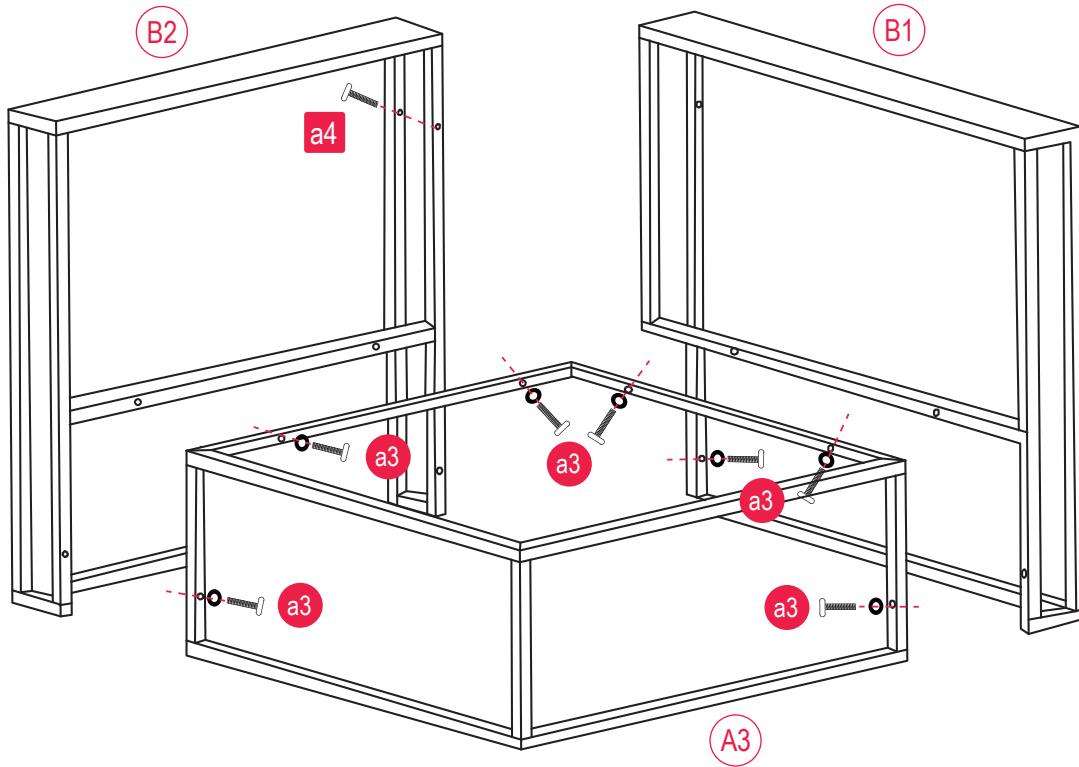
Parts



Hardware

 1 8PCS	 a6 M6 14PCS	 A1 1PC	 E6 Long Back Cushion 2PCS
 a1 M6x20 16PCS	 a7 1PC	 B1 1PC	 A2 Left Arm 1PC
 a3 M6x45 14PCS	 a8 8PCS	 A3 2PCS	 B3 Right Arm 1PC
 a4 M6x110 2PCS	 a9 4PCS	 E3 Short Back Cushion 2PCS	 E2 Seat Cushion 2PCS
 a5 M6 16PCS	 b 1PC		

Step1



Step2

